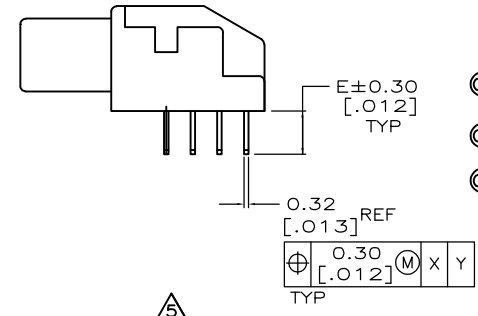
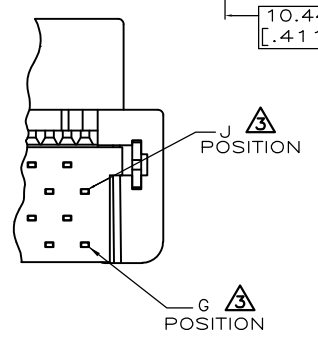
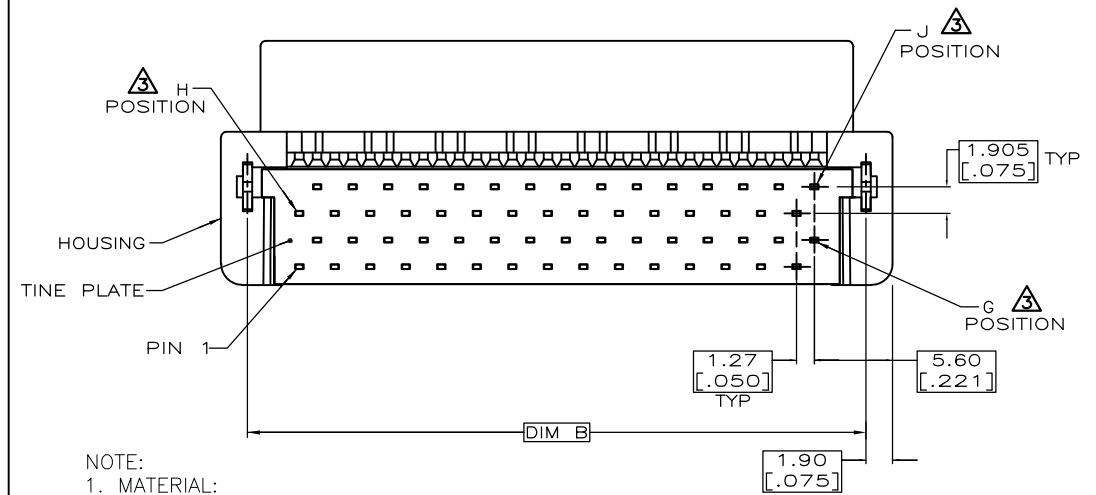
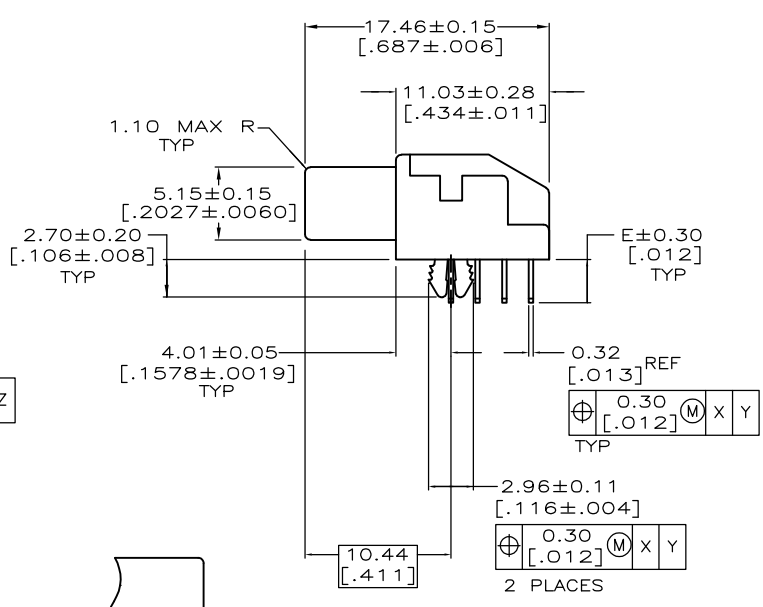
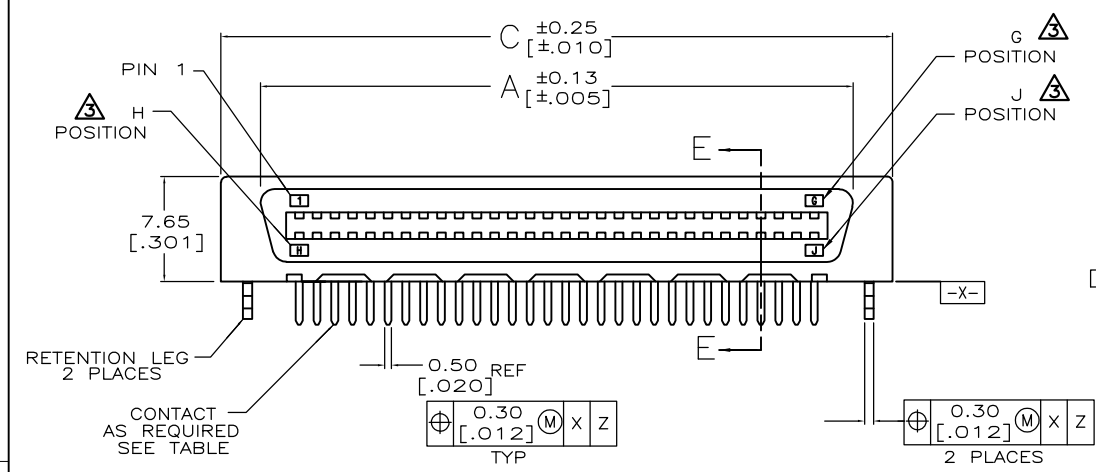
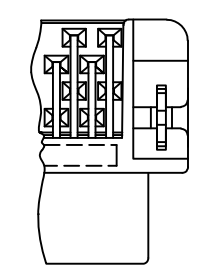
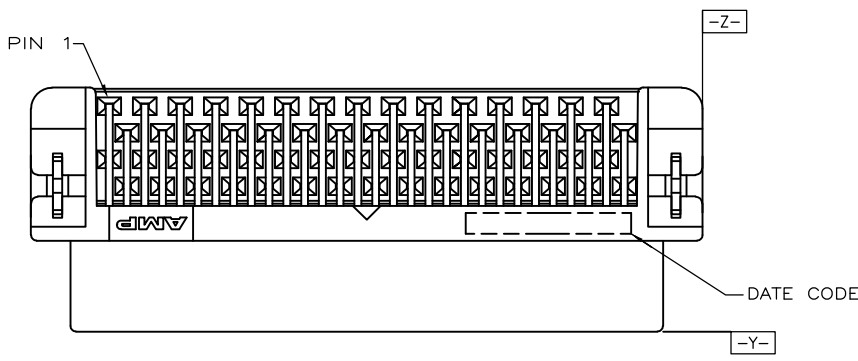


THIS DRAWING IS UNPUBLISHED. RELEASED FOR PUBLICATION
 © COPYRIGHT - By - ALL RIGHTS RESERVED.

LOC	DIST	REVISIONS			
P	LTR	DESCRIPTION	DATE	DWN	APVD
		G1	REVISED PER ECR-12-013026	08APR13	K.M E.T



NOTES	E	D	C	B	A	G	J	H	GOLD PLATED	PART NUMBER	POS.
	3.10 [.122]	102.03 [4.017]	111.53 [4.391]	107.73 [4.242]	105.87 [4.168]	80	160	81	GOLD FLASH 0.381um[15u"]	5-1734037-6 3-1734037-6	160
										1-1734037-6	
	3.10 [.122]	89.33 [3.517]	98.83 [3.891]	95.03 [3.742]	93.17 [3.668]	70	140	71	GOLD FLASH 0.381um[15u"]	5-1734037-4 3-1734037-4	140
										1-1734037-4	
	3.10 [.122]	76.63 [3.017]	86.13 [3.391]	82.33 [3.242]	80.47 [3.168]	60	120	61	GOLD FLASH 0.381um[15u"]	2-1734037-0 1-1734037-8	120
										1-1734037-2	
	3.10 [.122]	63.93 [2.517]	73.43 [2.891]	69.63 [2.742]	67.77 [2.668]	50	100	51	GOLD FLASH 0.381um[15u"]	5-1734037-1 3-1734037-1	100
										1-1734037-1	
	3.10 [.122]	63.93 [2.517]	73.43 [2.891]	69.63 [2.742]	67.77 [2.668]	50	100	51	GOLD FLASH 0.381um[15u"]	5-1734037-0 3-1734037-0	100
										1-1734037-0	
	3.10 [.122]	43.61 [1.717]	53.11 [2.091]	49.31 [1.941]	47.45 [1.868]	34	68	35	GOLD FLASH 0.381um[15u"]	4-1734037-7 2-1734037-7	68
										1734037-7	
	3.10 [.122]	-	48.03 [1.891]	44.23 [1.742]	42.37 [1.668]	30	60	31	GOLD FLASH 0.381um[15u"]	4-1734037-6 2-1734037-6	60
										1734037-6	
	3.10 [.122]	32.18 [1.267]	41.68 [1.641]	37.88 [1.492]	36.02 [1.418]	25	50	26	GOLD FLASH 0.381um[15u"]	4-1734037-5 2-1734037-5	50
										1734037-5	
	3.10 [.122]	25.83 [1.017]	35.33 [1.391]	31.53 [1.242]	29.67 [1.168]	20	40	21	GOLD FLASH 0.381um[15u"]	4-1734037-4 2-1734037-4	40
										1734037-4	
	2.40 [.094]	51.23 [2.017]	60.73 [2.391]	56.93 [2.242]	55.07 [2.168]	40	80	41	GOLD FLASH 0.381um[15u"]	6-1734037-2 4-1734037-2	80
										2-1734037-2	
	2.40 [.094]	51.23 [2.017]	60.73 [2.391]	56.93 [2.242]	55.07 [2.168]	40	80	41	GOLD FLASH 0.381um[15u"]	4-1734037-2 2-1734037-2	80
										1734037-2	
	3.10 [.122]	51.23 [2.017]	60.73 [2.391]	56.93 [2.242]	55.07 [2.168]	40	80	41	GOLD FLASH 0.381um[15u"]	4-1734037-1 2-1734037-1	80
										1734037-1	

NOTE:
 1. MATERIAL:
 HOUSING: LIQUID CRYSTAL POLYMER (LCP), UL 94V-0, BLACK COLOR.
 CONTACTS: PHOSPHOR BRONZE.
 BOARDLOCKS: BRASS.
 2. FINISH:
 CONTACTS: (SEE TABLE) GOLD PLATED ON CONTACT AREA,
 3.81um [150u"] MIN. MATTE-TIN ON SOLDER TAIL, OVER
 1.27mm [50m"] MIN. NICKEL UNDERPLATED.
 BOARDLOCKS: 3.81um [150u"] MIN. TIN-Cu OVER
 1.27mm [50m"] MIN. UNDERPLATED.
 G, J, AND H INDICATES NUMBER OF POSITION MARKED ON ASSEMBLY.
 ALSO SEE TABLE.
 CONNECTOR SOLDER TAILS WILL ACCOMMODATE PRINTED CIRCUIT BOARD
 THICKNESS OF 0.80 TO 1.60 [.031 TO .063].
 BOARDLOCKS NOT PRESENT.
 6. WAVE SOLDER CAPABLE TO 265°C PER TEST SPEC.
 109-202, CONDITION B.
 GOLD FLASH OVER
 0.762um [30u"] MIN. PALLADIUM-NICKEL PLATED.
 OBSOLETE

THIS DRAWING IS A CONTROLLED DOCUMENT.

DIMENSIONS: mm	TOLERANCES UNLESS OTHERWISE SPECIFIED:
	0 PLC ± - 1 PLC ± 0.3 2 PLC ± 0.2 3 PLC ± - 4 PLC ± - ANGLES ± 3'
MATERIAL SEE NOTE	FINISH SEE NOTE

THIS DRAWING IS A CONTROLLED DOCUMENT.

DWN F. YANG 31MAR2009
 CHK S. CHIEN 31MAR2009
 APVD W. KODAMA 31MAR2009
 PRODUCT SPEC
 108-57876
 APPLICATION SPEC

NAME
 RECEPTACLE ASSEMBLY, R/A,
 BTB, CHAMP.050, SERIES I

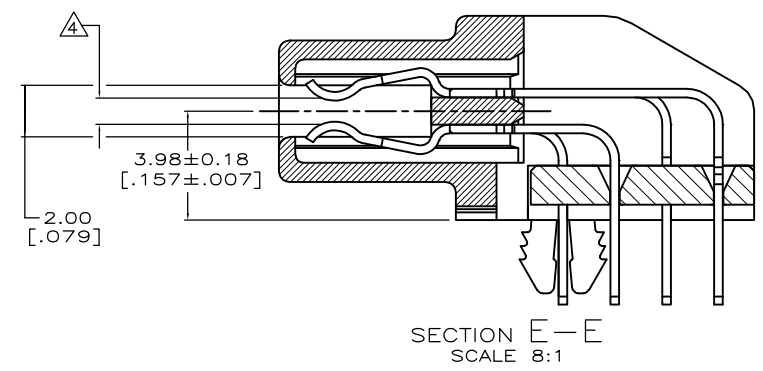
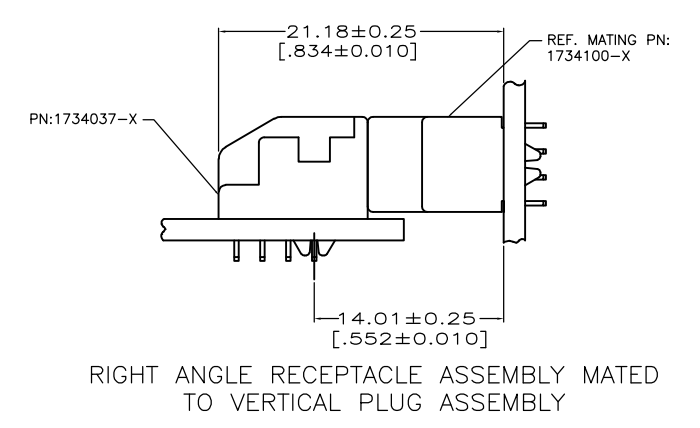
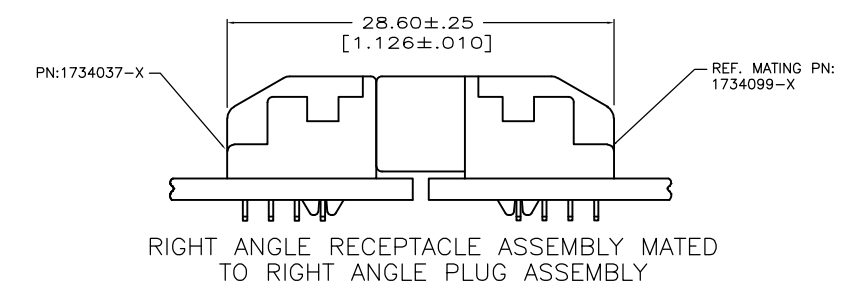
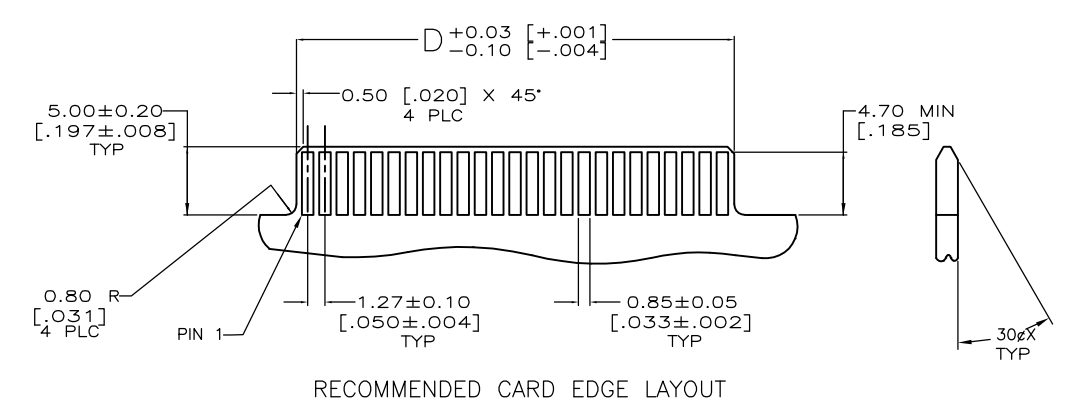
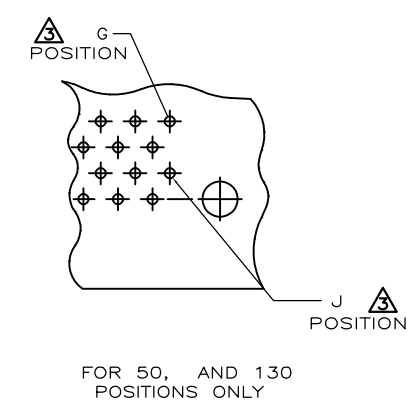
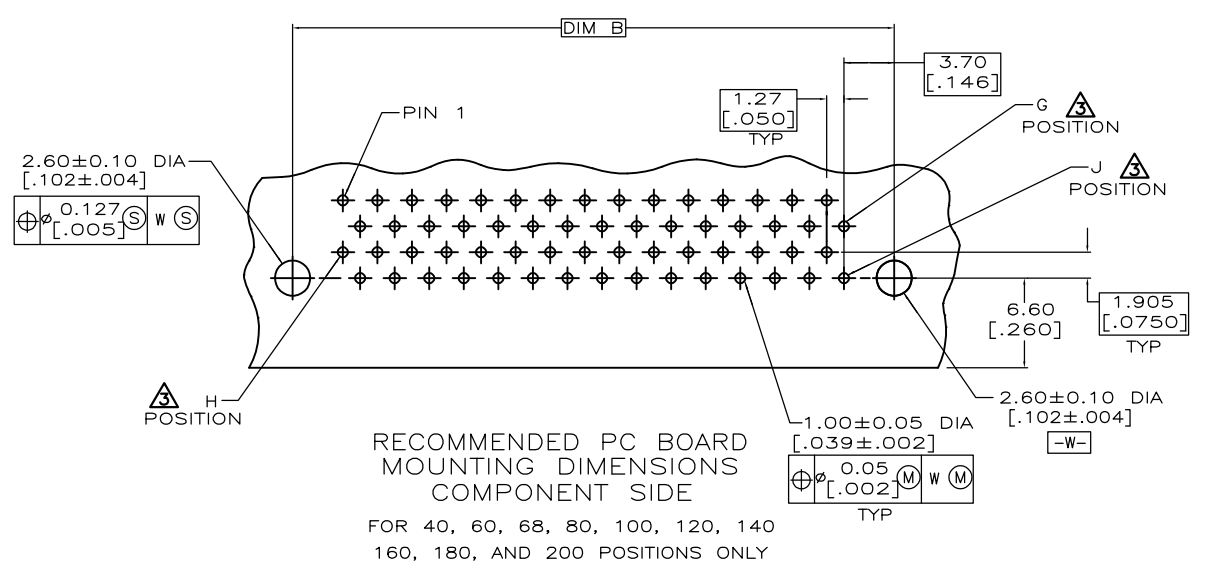
SIZE A3 CAGE CODE 00779 DRAWING NO C-1734037 RESTRICTED TO -

WEIGHT -

CUSTOMER DRAWING SCALE - SHEET 1 OF 4 REV G1

THIS DRAWING IS UNPUBLISHED. RELEASED FOR PUBLICATION
 © COPYRIGHT - By - ALL RIGHTS RESERVED.

LOC	DIST	REVISIONS			
P	LTR	DESCRIPTION	DATE	DWN	APVD
		SEE SHEET 1			



THIS DRAWING IS A CONTROLLED DOCUMENT.		DWN	TE Connectivity		
DIMENSIONS: mm		CHK	NAME		
		APVD	RECEPTACLE ASSEMBLY, R/A, BTB, CHAMP.050, SERIES I		
TOLERANCES UNLESS OTHERWISE SPECIFIED:		PRODUCT SPEC	SIZE	CAGE CODE	DRAWING NO
0 PLC	± -	APPLICATION SPEC	A3	00779	C-1734037
1 PLC	± -	WEIGHT	RESTRICTED TO		
2 PLC	± -	CUSTOMER DRAWING	SCALE	SHEET	REV
3 PLC	± -		-	2 OF 4	G1
4 PLC	± -				
ANGLES	± -				
FINISH	± -				

THIS DRAWING IS UNPUBLISHED.

RELEASED FOR PUBLICATION

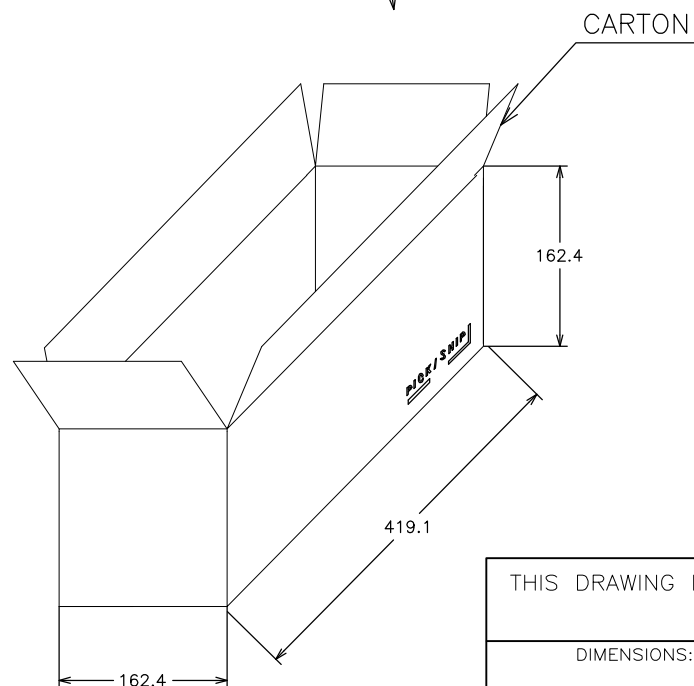
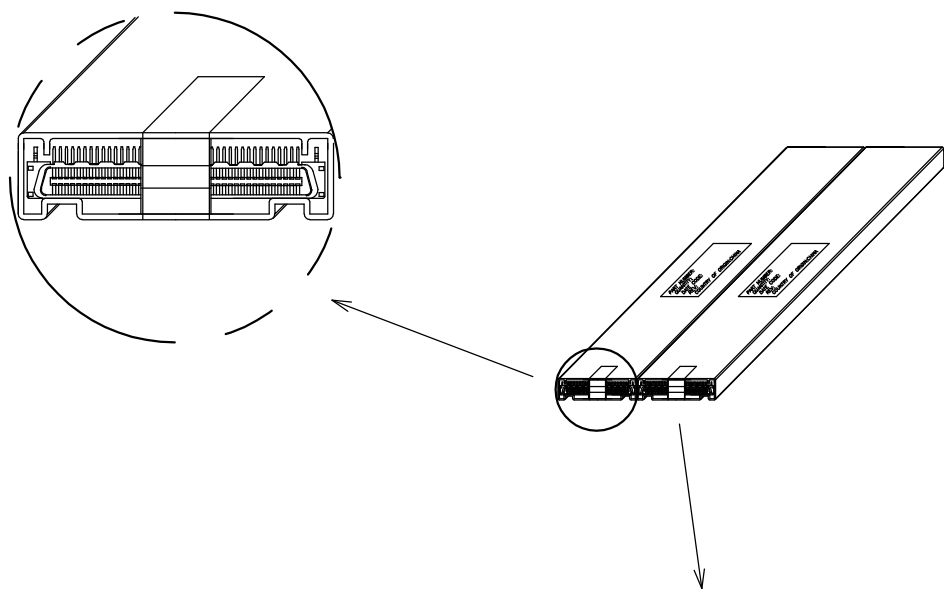
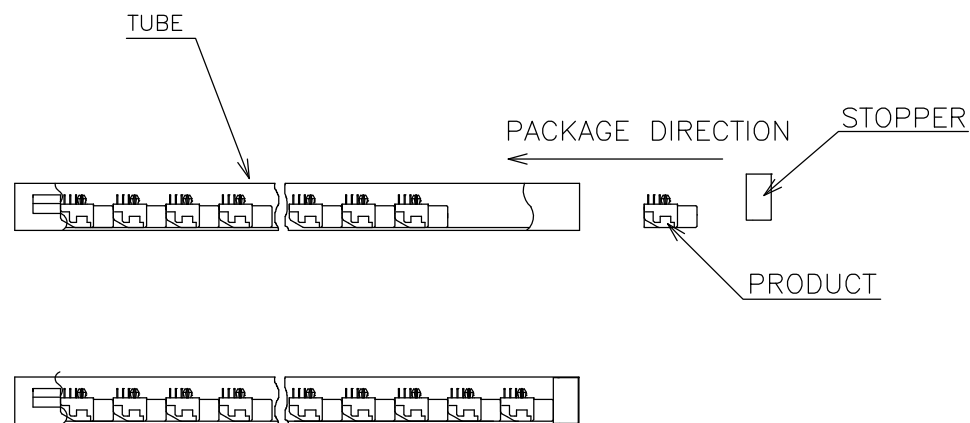
© COPYRIGHT - By -

ALL RIGHTS RESERVED.

LOC DW DIST

REVISIONS

P	LTR	DESCRIPTION	DATE	DWN	APVD
-	-	SEE SHEET 1	-	-	-



POS.	Q'TY/TUBE	TUBE/BOX	Q'TY/BOX	N/W (KG)	G/W (KG)	PART NUMBER
OBSOLETE	80	21	16	336	2.06	2.91
	100	21	16	336	2.55	3.40
	80	21	16	336	2.08	2.93

THIS DRAWING IS A CONTROLLED DOCUMENT.		DWN	-					
DIMENSIONS: mm		CHK	-					
TOLERANCES UNLESS OTHERWISE SPECIFIED:		APVD	-					
0 PLC ± -		PRODUCT SPEC	-					
1 PLC ± -		APPLICATION SPEC	-					
2 PLC ± -		WEIGHT	-					
3 PLC ± -		TE Connectivity RECEPTACLE ASSEMBLY, R/A, BTB, CHAMP.050, SERIES I						
4 PLC ± -		SIZE	A3	CAGE CODE	00779	DRAWING NO	C-1734037	
ANGLES ± -		RESTRICTED TO						
FINISH		CUSTOMER DRAWING						
MATERIAL		SCALE	-		SHEET	3 OF 4	REV	G1

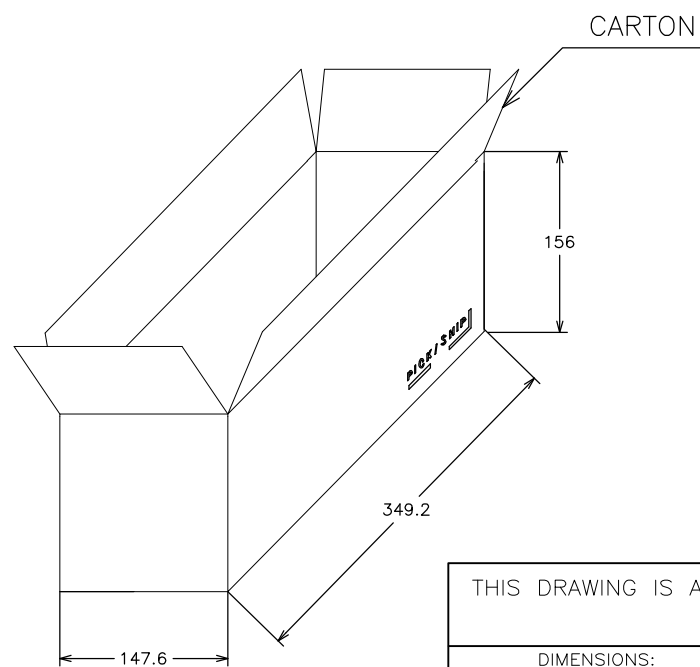
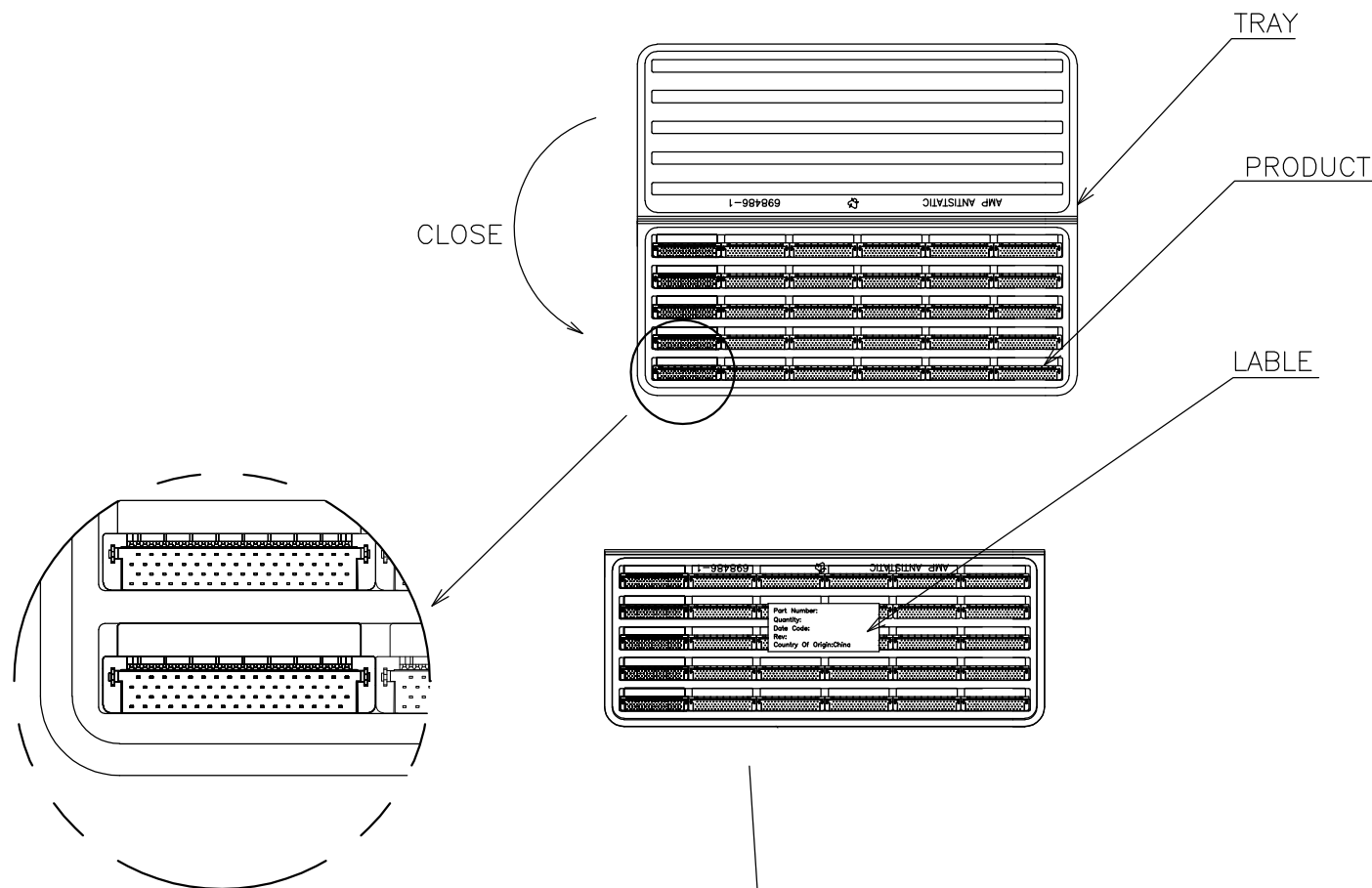
THIS DRAWING IS UNPUBLISHED. RELEASED FOR PUBLICATION

© COPYRIGHT - By - ALL RIGHTS RESERVED.

LOC DW DIST

REVISIONS

P	LTR	DESCRIPTION	DATE	DWN	APVD
-	-	SEE SHEET 1	-	-	-



POS.	Q'TY/ TRAY	TRAY/ BOX	Q'TY/ BOX	N/W (KG)	G/W (KG)	PART NUMBER
⑥ OBSOLETE	160	10	100	1.33	2.28	5-1734037-6 3-1734037-6 1-1734037-6
	140	15	150	1.67	2.62	5-1734037-4 3-1734037-4 1-1734037-4
	120	15	150	1.35	2.30	2-1734037-0 1-1734037-8 1-1734037-2
⑥ OBSOLETE	100	20	200	1.43	2.43	5-1734037-1 3-1734037-1 1-1734037-1
	68	30	300	1.65	2.60	4-1734037-7 2-1734037-7 1734037-7
	60	30	300	1.60	2.60	4-1734037-6 2-1734037-6 1734037-6
	50	35	350	1.55	2.50	4-1734037-5 2-1734037-5 1734037-5
	40	45	450	1.55	2.45	4-1734037-4 2-1734037-4 1734037-4

THIS DRAWING IS A CONTROLLED DOCUMENT.

DIMENSIONS:	TOLERANCES UNLESS OTHERWISE SPECIFIED:
mm	0 PLC ± -
	1 PLC ± -
	2 PLC ± -
	3 PLC ± -
	4 PLC ± -
	ANGLES ± -
MATERIAL	FINISH

DWN	-
CHK	-
APVD	-
PRODUCT SPEC	-
APPLICATION SPEC	-
WEIGHT	-



RECEPTACLE ASSEMBLY, R/A, BTB, CHAMP.050, SERIES I

SIZE	CAGE CODE	DRAWING NO	RESTRICTED TO
A3	00779	C-1734037	-

CUSTOMER DRAWING SCALE - SHEET 4 OF 4 REV G1

Компания «Life Electronics» занимается поставками электронных компонентов импортного и отечественного производства от производителей и со складов крупных дистрибьюторов Европы, Америки и Азии.

С конца 2013 года компания активно расширяет линейку поставок компонентов по направлению коаксиальный кабель, кварцевые генераторы и конденсаторы (керамические, пленочные, электролитические), за счёт заключения дистрибьюторских договоров

Мы предлагаем:

- Конкурентоспособные цены и скидки постоянным клиентам.
- Специальные условия для постоянных клиентов.
- Подбор аналогов.
- Поставку компонентов в любых объемах, удовлетворяющих вашим потребностям.
- Приемлемые сроки поставки, возможна ускоренная поставка.
- Доставку товара в любую точку России и стран СНГ.
- Комплексную поставку.
- Работу по проектам и поставку образцов.
- Формирование склада под заказчика.
- Сертификаты соответствия на поставляемую продукцию (по желанию клиента).
- Тестирование поставляемой продукции.
- Поставку компонентов, требующих военную и космическую приемку.
- Входной контроль качества.
- Наличие сертификата ISO.

В составе нашей компании организован Конструкторский отдел, призванный помогать разработчикам, и инженерам.

Конструкторский отдел помогает осуществить:

- Регистрацию проекта у производителя компонентов.
- Техническую поддержку проекта.
- Защиту от снятия компонента с производства.
- Оценку стоимости проекта по компонентам.
- Изготовление тестовой платы монтаж и пусконаладочные работы.



Тел: +7 (812) 336 43 04 (многоканальный)

Email: org@lifeelectronics.ru