

# KAI-0330

## 648 (H) x 484 (V) Interline CCD Image Sensor

### Description

The KAI-0330 Image Sensor is a high performance, low cost, progressive scan 648 (H) × 484 (V) (1/2" optical format) Interline CCD Image Sensor designed specifically for demanding machine vision, surveillance, and computer input imaging applications.

Available in both single- and dual-output configurations, frame rates up to 120 Hz are available, providing the ability to design an image capture device that is up to 4× faster than traditional CCD image sensors. In addition, 9 μm square pixels with microlenses and anti-blooming structure provide high sensitivity and excellent specular reflection blooming control. Coupled with the additional benefits of electronic shutter, rapid clearing of horizontal lines for faster sub-region readout, and availability in color and monochrome configurations, this sensor is an ideal choice for challenging imaging applications.

**Table 1. GENERAL SPECIFICATIONS**

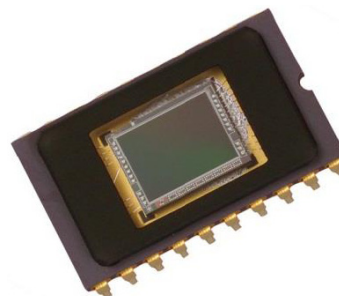
| Parameter  | Typical Value  |
|--|--|
| Architecture   | Interline CDD; Progressive Scan  |
| Total Number of Pixels   | 680 (H) × 496 (V)  |
| Number of Effective Pixels   | 648 (H) × 484 (V)  |
| Number of Active Pixels  | 648 (H) × 484 (V)  |
| Pixel Size   | 9.0 μm(H) × 9.0 μm (V)   |
| Active Image Size  | 5.832 mm (H) × 4.356 mm (V),<br>7.28 mm (Diagonal),<br>1/2" Optical Format |
| Aspect Ratio   | 4:3  |
| Number of Outputs  | 1 or 2   |
| Saturation Signal  | 30.000 e <sup>-</sup>  |
| Output Sensitivity   | 11.5 μV/e <sup>-</sup>   |
| Quantum Efficiency<br>–ABA (490 nm)<br>–CBA (620 nm, 530 nm, 460 nm) | 36%<br>25%, 26%, 32%   |
| Total Sensor Noise   | 0.5 mV rms   |
| Dynamic Range  | 57 dB  |
| Dark Current   | < 0.5 nA/cm <sup>2</sup>   |
| Dark Current Doubling Temperature                                    | 8°C  |
| Charge Transfer Efficiency   | 0.99999  |
| Smear  | 0.01%  |
| Image Lag  | Negligible   |
| Maximum Data Rate  | 30 MHz   |
| Package  | 20-Pin CERDIP  |
| Cover Glass  | Clear Glass  |

NOTE: All Parameters are specified at T = 40°C unless otherwise noted.



**ON Semiconductor®**

[www.onsemi.com](http://www.onsemi.com)



**Figure 1. KAI-0330 Interline CCD Image Sensor**

### Features

- Front Illuminated Interline Architecture
- Progressive Scan
- Electronic Shutter
- Integral RGB Color Filter Array (Optional)
- On-Chip Dark Reference Pixels
- Low Dark Current
- Dual Output Shift Registers
- Anti-Blooming Protection
- Negligible Lag
- Low Smear

### Applications

- Machine Vision

### ORDERING INFORMATION

See detailed ordering and shipping information on page 2 of this data sheet.

# KAI-0330

## ORDERING INFORMATION

**Table 2. ORDERING INFORMATION – KAI-0330 IMAGE SENSOR**

| Part Number                      | Description  | Marking Code                 |
|----------------------------------|--|------------------------------|
| KAI-0330-AAA-CP-BA-Dual Output   | Monochrome, No Microlens, CERDIP Package (Sidebrazed), Taped Clear Cover Glass (No Coatings), Standard Grade, Dual Output              | KAI-0330D<br>Serial Number   |
| KAI-0330-AAA-CP-AE-Dual Output   | Monochrome, Telecentric Microlens, CERDIP Package (Sidebrazed), Taped Clear Cover Glass (No Coatings), Engineering Grade, Dual Output  |                              |
| KAI-0330-ABA-CB-AA-Single Output | Monochrome, Telecentric Microlens, CERDIP Package (Sidebrazed), Clear Cover Glass (No Coatings), Standard Grade, Single Output         | KAI-0330SM<br>Serial Number  |
| KAI-0330-ABA-CB-BA-Dual Output   | Monochrome, Telecentric Microlens, CERDIP Package (Sidebrazed), Clear Cover Glass (No Coatings), Standard Grade, Dual Output           | KAI-0330DM<br>Serial Number  |
| KAI-0330-ABA-CB-AE-Dual Output   | Monochrome, Telecentric Microlens, CERDIP Package (Sidebrazed), Clear Cover Glass (No Coatings), Engineering Grade, Dual Output        |                              |
| KAI-0330-CBA-CB-BA-Dual Output   | Color (Bayer RGB), Telecentric Microlens, CERDIP Package (Sidebrazed), Clear Cover Glass (No Coatings), Standard Grade, Dual Output    | KAI-0330DCM<br>Serial Number |
| KAI-0330-CBA-CB-AE-Dual Output   | Color (Bayer RGB), Telecentric Microlens, CERDIP Package (Sidebrazed), Clear Cover Glass (No Coatings), Engineering Grade, Dual Output |                              |

**Table 3. ORDERING INFORMATION – EVALUATION SUPPORT**

| Part Number           | Description                     |
|-----------------------|---------------------------------|
| KAI-0330-12-30-A-GEVK | Evaluation Board (Complete Kit) |

See the ON Semiconductor *Device Nomenclature* document (TND310/D) for a full description of the naming convention used for image sensors. For reference documentation, including information on evaluation kits, please visit our web site at [www.onsemi.com](http://www.onsemi.com).

DEVICE DESCRIPTION

Architecture

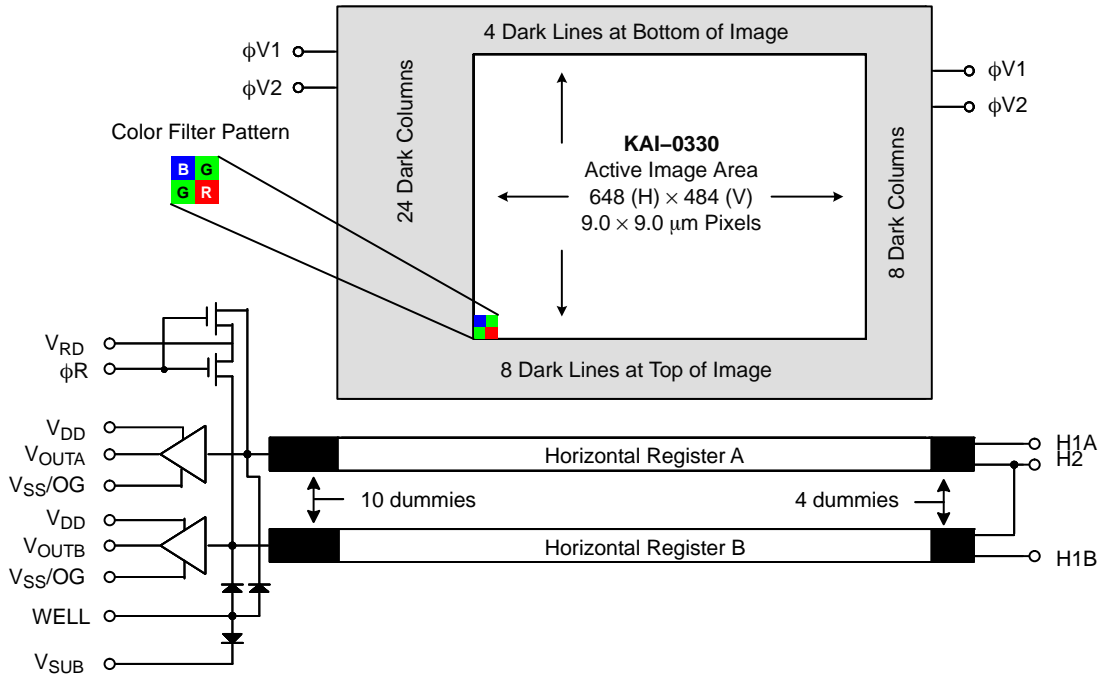


Figure 2. Functional Block Diagram

The KAI-0330 consists of 648 × 484 photodiodes, 680 vertical (parallel) CCD shift registers (VCCDs), and dual 496 pixel horizontal (serial) CCD shift registers (HCCDs) with independent output structures. The device can be operated in either single or dual line mode. The advanced, progressive-scan architecture of the device allows the entire image area to be read out in a single scan. The active pixels are surrounded by an additional 32 columns and 12 rows of light-shielded dark reference pixels.

Image Acquisition

An electronic representation of an image is formed when incident photons falling on the sensor plane create electron-hole pairs within the individual silicon photodiodes. These photoelectrons are collected locally by the formation of potential wells at each photosite. Below photodiode saturation, the number of photoelectrons collected at each pixel is linearly dependent on light level and exposure time and non-linearly dependent on wavelength. When the photodiode’s charge capacity is reached, excess electrons are discharged into the substrate to prevent blooming.

Charge Transport

The accumulated or integrated charge from each photodiode is transported to the output by a three-step process. The charge is first transported from the photodiodes to the VCCDs by applying a large positive voltage to the phase-one vertical clock (φV1). This reads out every row, or line, of photodiodes into the VCCDs.

The charge is then transported from the VCCDs to the HCCDs line by line. Finally, the HCCDs transport these rows of charge packets to the output structures pixel by pixel. On each falling edge of the horizontal clock, φH2, these charge packets are dumped over the output gate (OG, Figure 3) onto the floating diffusion (FDA and FDB, Figure 3).

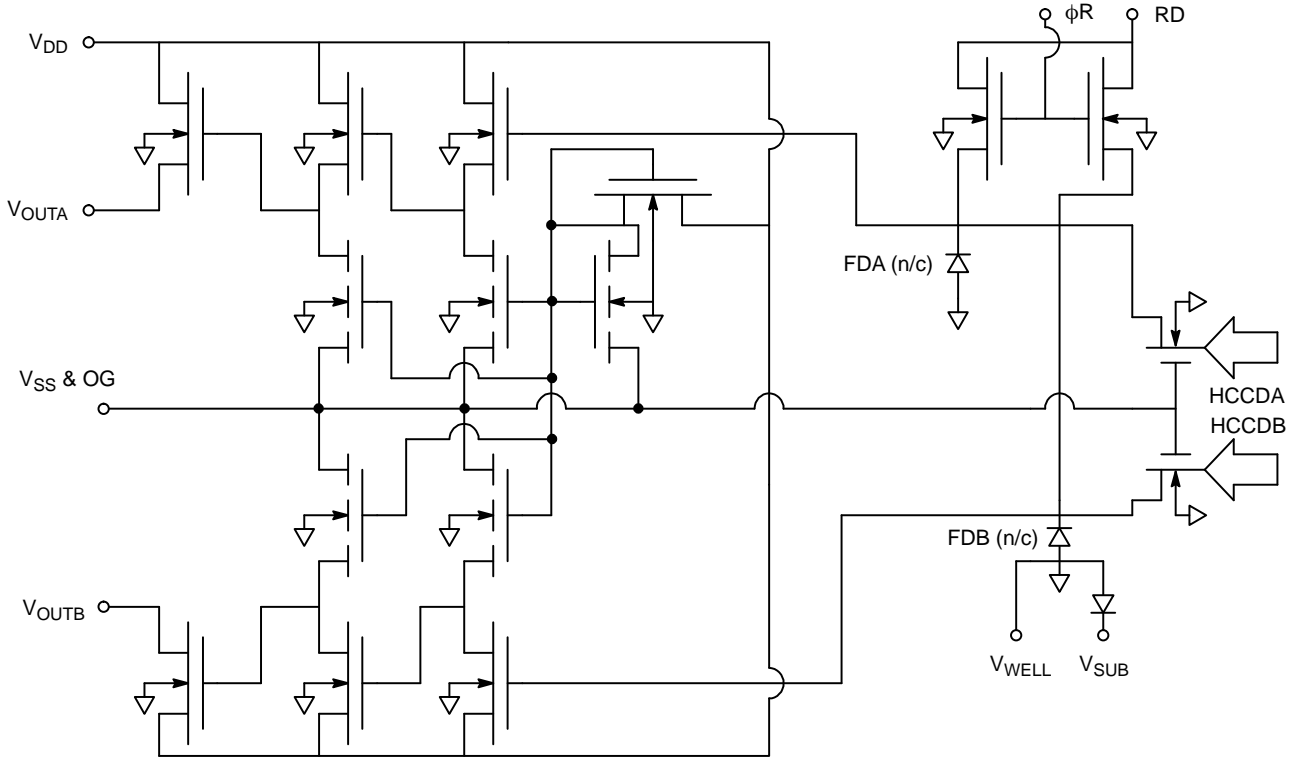
Both the horizontal and vertical shift registers use traditional two-phase complementary clocking for charge transport. Transfer to the HCCDs begins when φV2 is clocked high and then low (while holding φH1A high) causing charge to be transferred from φV1 to φV2 and subsequently into the A HCCD. The A register can now be read out in single line mode. If it is desired to operate the device in a dual line readout mode for higher frame rates, this line is transferred into the B HCCD by clocking φH1A to a low state, and φH1B to a high state while holding φH2 low. After φH1A is returned to a high state, the next line can be transferred into the A HCCD. After this clocking sequence, both HCCDs are read out in parallel.

The charge capacity of the horizontal CCDs is slightly more than twice that of the vertical CCDs. This feature allows the user to perform two-to-one line aggregation in the charge domain during V-to-H transfer. This device is also equipped with a fast dump feature that allows the user to selectively dump complete lines (or rows) of pixels at a time. This dump, or line clear, is also accomplished during the V-to-H transfer time by clocking the fast dump gate.

**Output Structure**

Charge packets contained in the horizontal register are dumped pixel by pixel, onto the floating diffusion output node whose potential varies linearly with the quantity of charge in each packet. The amount of potential change is determined by the expression  $\Delta V_{FD} = \Delta Q / C_{FD}$ . A three-stage source-follower amplifier is used to buffer this signal voltage off chip with slightly less than unity gain.

The translation from the charge domain to the voltage domain is quantified by the output sensitivity or charge to voltage conversion in terms of  $\mu V/e^-$ . After the signal has been sampled off-chip, the reset clock ( $\phi R$ ) removes the charge from the floating diffusion and resets its potential to the reset-drain voltage ( $V_{RD}$ ).



NOTE: For the single output version,  $V_{OUTB}$  is not active.

**Figure 3. Output Structure**

**Electronic Shutter**

The KAI-0330 provides a structure for the prevention of blooming which may be used to realize a variable exposure time as well as performing the anti-blooming function. The anti-blooming function limits the charge capacity of the photodiode by draining excess electrons vertically into the substrate (hence the name Vertical Overflow Drain or VOD). This function is controlled by applying a large potential to the device substrate (device terminal SUB). If a sufficiently large voltage pulse ( $VES \approx 40 V$ ) is applied to the substrate, all photodiodes will be emptied of charge through the substrate, beginning the integration period. After returning the substrate voltage to the nominal value, charge can accumulate in the diodes and the charge packet is subsequently readout onto the VCCD at the next occurrence of the high level on  $\phi V1$ . The integration time is then the time between the falling edges of the substrate shutter pulse and  $\phi V1$ . This scheme allows electronic variation of the exposure time by a variation in the clock timing while maintaining a standard video frame rate.

Application of the large shutter pulse must be avoided during the horizontal register readout or an image artifact will appear due to feed-through. The shutter pulse VES must be “hidden” in the horizontal retrace interval. The integration time is changed by skipping the shutter pulse from one horizontal retrace interval to another.

The smear specification is not met under electronic shutter operation. Under constant light intensity and spot size, if the electronic exposure time is decreased, the smear signal will remain the same while the image signal will decrease linearly with exposure. Smear is quoted as a percentage of the image signal and so the percent smear will increase by the same factor that the integration time has decreased. This effect is basic to interline devices.

Extremely bright light can potentially harm solid state imagers such as Charge-Coupled Devices (CCDs). Refer to Application Note *Using Interline CCD Image Sensors in High Intensity Visible Lighting Conditions*.

Physical Description

Pin Description and Device Orientation

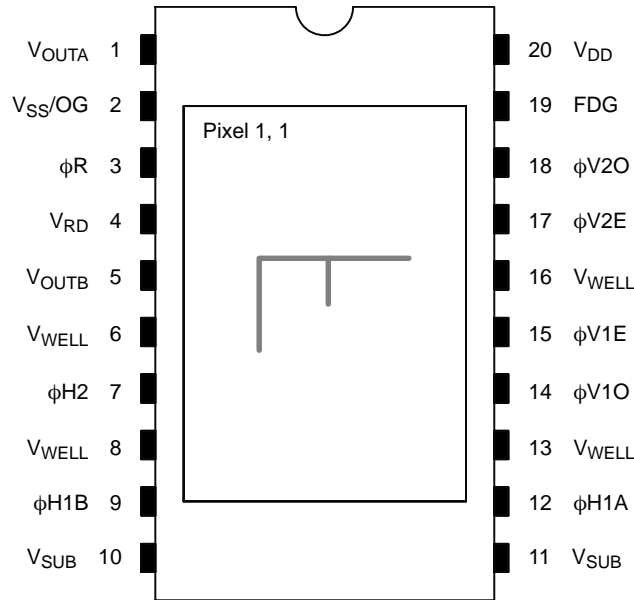


Figure 4. Pinout Diagram (Top View)

Table 4. PIN DESCRIPTION

| Pin No.      | Symbol             | Description                                       |
|--------------|--------------------|---|
| 1            | V <sub>OUTA</sub>  | Video Output Channel A                            |
| 2            | V <sub>SS/OG</sub> | Output Amplifier Return and OG                    |
| 3            | φ <sub>R</sub>     | Reset Clock                                       |
| 4            | V <sub>RD</sub>    | Reset Drain                                       |
| 5            | V <sub>OUTB</sub>  | Video Output Channel B (Note 1)                   |
| 6, 8, 13, 16 | V <sub>WELL</sub>  | P-Well (Ground)                                   |
| 7            | φ <sub>H2</sub>    | A & B Horizontal CCD Clock – Phase 2              |
| 9            | φ <sub>H1B</sub>   | B Horizontal CCD Clock – Phase 1                  |
| 10, 11       | V <sub>SUB</sub>   | Substrate   |
| 12           | φ <sub>H1A</sub>   | A Horizontal CCD Clock – Phase 1                  |
| 14           | φ <sub>V1O</sub>   | Vertical CCD Clock – Phase 1, Odd Field (Note 2)  |
| 15           | φ <sub>V1E</sub>   | Vertical CCD Clock – Phase 1, Even Field (Note 2) |
| 17           | φ <sub>V2E</sub>   | Vertical CCD Clock – Phase 2, Even Field (Note 3) |
| 18           | φ <sub>V2O</sub>   | Vertical CCD Clock – Phase 2, Odd Field (Note 3)  |
| 19           | FDG                | Fast Dump Gate                                    |
| 20           | V <sub>DD</sub>    | Output Amplifier Supply                           |

1. For the single output version, V<sub>OUTB</sub> is not active.
2. Pins 14 and 15 must be connected together – only 1 Phase 1 clock driver is required.
3. Pins 17 and 18 must be connected together – only 1 Phase 2 clock driver is required.

**IMAGING PERFORMANCE**

All the following values were derived using nominal operating conditions using the recommended timing. Unless otherwise stated, readout time = 40 ms, integration time = 40 ms and sensor temperature = 40°C. Correlated double sampling of the output is assumed and recommended. Many

units are expressed in electrons, to convert to voltage, multiply by the amplifier sensitivity.

Defects are excluded from the following tests and the signal output is referenced to the dark pixels at the end of each line unless otherwise specified.

**Table 5. ELECTRO-OPTICAL FOR KAI-0330-CBA**

| Parameter   | Symbol           | Min. | Nom.  | Max. | Unit               |
|---|------------------|------|-------|------|--------------------|
| Optical Fill Factor                               | F                | –    | 55.0  | –    | %                  |
| Saturation Exposure (Note 1)                      | E <sub>SAT</sub> | –    | 0.046 | –    | μJ/cm <sup>2</sup> |
| Red Peak Quantum Efficiency λ = 620 nm (Note 2)   | QE <sub>R</sub>  | –    | 25    | –    | %                  |
| Green Peak Quantum Efficiency λ = 530 nm (Note 2) | QE <sub>G</sub>  | –    | 26    | –    | %                  |
| Blue Peak Quantum Efficiency λ = 460 nm (Note 2)  | QE <sub>B</sub>  | –    | 32    | –    | %                  |
| Green Photoresponse Shading (Note 4)              | R <sub>GS</sub>  | –    | 6     | –    | %                  |
| Photoresponse Non-Uniformity (Note 3)             | PRNU             | –    | 5.0   | –    | p-p %              |
| Photoresponse Non-Linearity                       | PRNL             | –    | 5.0   | –    | %                  |
| Amplifier Sensitivity                             | ΔV/ΔN            | –    | 11.5  | –    | μV/e <sup>-</sup>  |

1. For λ = 530 nm wavelength, and V<sub>SAT</sub> = 350 mV.
2. Refer to typical values from Figure 5.
3. Under uniform illumination with output signal equal to 280 mV.
4. This is the global variation in chip output for green pixels across the entire chip.
5. It is recommended to use low-pass filter with λ<sub>CUT-OFF</sub> at ~ 680 nm for high performance.

**Table 6. ELECTRO-OPTICAL FOR KAI-0330-ABA**

| Parameter                             | Symbol           | Min. | Nom.  | Max. | Unit               |
|---------------------------------------|------------------|------|-------|------|--------------------|
| Optical Fill Factor                   | F                | –    | 55.0  | –    | %                  |
| Saturation Exposure (Note 1)          | E <sub>SAT</sub> | –    | 0.037 | –    | μJ/cm <sup>2</sup> |
| Peak Quantum Efficiency (Note 2)      | QE               | –    | 36    | –    | %                  |
| Photoresponse Non-Uniformity (Note 3) | PRNU             | –    | 5.0   | –    | p-p %              |
| Photoresponse Non-Linearity           | PRNL             | –    | 5.0   | –    | %                  |

1. For λ = 550 nm wavelength, and V<sub>SAT</sub> = 350 mV.
2. Refer to typical values from Figure 6.
3. Under uniform illumination with output signal equal to 280 mV.

**Table 7. CCD IMAGE SPECIFICATIONS**

| Parameter                                 | Symbol           | Min. | Nom.    | Max. | Unit           |
|---|------------------|------|---------|------|----------------|
| Output Saturation Voltage (Notes 1, 2, 8) | V <sub>SAT</sub> | –    | 350     | –    | mV             |
| Dark Current                              | I <sub>D</sub>   | –    | –       | 0.5  | nA             |
| Dark Current Doubling Temperature         | DCDT             | 7    | 8       | 10   | °C             |
| Charge Transfer Efficiency (Notes 2, 3)   | CTE              | –    | 0.99999 | –    |                |
| Horizontal CCD Frequency (Note 4)         | f <sub>H</sub>   | –    | –       | 30   | MHz            |
| Image Lag (Note 5)                        | IL               | –    | –       | 100  | e <sup>-</sup> |
| Blooming Margin (Notes 6, 8)              | X <sub>AB</sub>  | –    | 100     | –    |                |
| Vertical Smear (Note 7)                   | Smr              | –    | 0.01    | –    | %              |

1. V<sub>SAT</sub> is the green pixel mean value at saturation as measured at the output of the device with X<sub>AB</sub> = 1. V<sub>SAT</sub> can be varied by adjusting V<sub>SUB</sub>.
2. Measured at sensor output.
3. With stray output load capacitance of C<sub>L</sub> = 10 pF between the output and AC ground.
4. Using maximum CCD frequency and/or minimum CCD transfer times may compromise performance.
5. This is the first field decay lag measured by strobe illuminating the device at (H<sub>SAT</sub>, V<sub>SAT</sub>), and by then measuring the subsequent frame's average pixel output in the dark.
6. X<sub>AB</sub> represents the increase above the saturation-irradiance level (H<sub>SAT</sub>) that the device can be exposed to before blooming of the vertical shift register will occur. It should also be noted that V<sub>OUT</sub> rises above V<sub>SAT</sub> for irradiance levels above H<sub>SAT</sub>, as shown in Figure 8.
7. Measured under 10% (~100 lines) image height illumination with white light source and without electronic shutter operation and below V<sub>SAT</sub>.
8. It should be noted that there is tradeoff between X<sub>AB</sub> and V<sub>SAT</sub>.

# KAI-0330

**Table 8. OUTPUT AMPLIFIER @  $V_{DD} = 15\text{ V}$ ,  $V_{SS} = 0.0\text{ V}$**

| Description                             | Symbol     | Min. | Nom. | Max. | Unit |
|---|------------|------|------|------|------|
| Output DC Offset (Notes 1, 2)           | $V_{ODC}$  | –    | 7    | –    | V    |
| Power Dissipation (Note 3)              | $P_D$      | –    | 55   | –    | mW   |
| Output Amplifier Bandwidth (Notes 1, 4) | $f_{-3db}$ | –    | 140  | –    | MHz  |
| Off-Chip Load                           | $C_L$      | –    | –    | 10   | pF   |

1. Measured at sensor output with constant current load of  $I_{OUT} = 5\text{ mA}$  per output.
2. Measured with  $V_{RD} = 9\text{ V}$  during the floating-diffusion reset interval, ( $\phi_R$  high), at the sensor output terminals.
3. Both channels.
4. With stray output load capacitance of  $C_L = 10\text{ pF}$  between the output and AC ground.

**Table 9. GENERAL**

| Description                 | Symbol        | Min. | Nom. | Max. | Unit    |
|-----------------------------|---------------|------|------|------|---------|
| Total Sensor Noise (Note 1) | $V_{n-TOTAL}$ | –    | 0.5  | –    | mV, rms |
| Dynamic Range (Note 2)      | DR            | –    | –    | 58   | dB      |

1. Includes amplifier noise and dark current shot noise at data rates of 10 MHz. The number is based on the full bandwidth of the amplifier. It can be reduced when a low pass filter is used.
2. Uses  $20\text{ Log}(V_{SAT} / V_{n-TOTAL})$  where  $V_{SAT}$  refers to the output saturation signal.

TYPICAL PERFORMANCE CURVES

Color with Microlens Quantum Efficiency

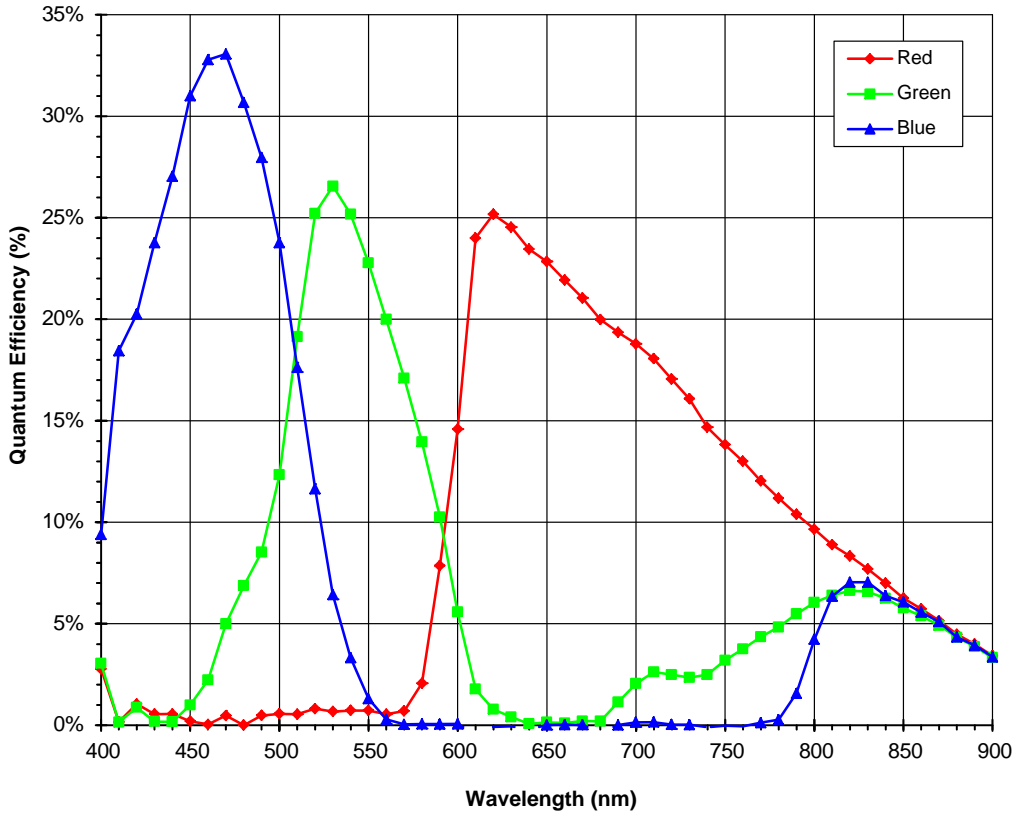


Figure 5. Nominal KAI-0330-CBA Spectral Response

Monochrome with Microlens Quantum Efficiency

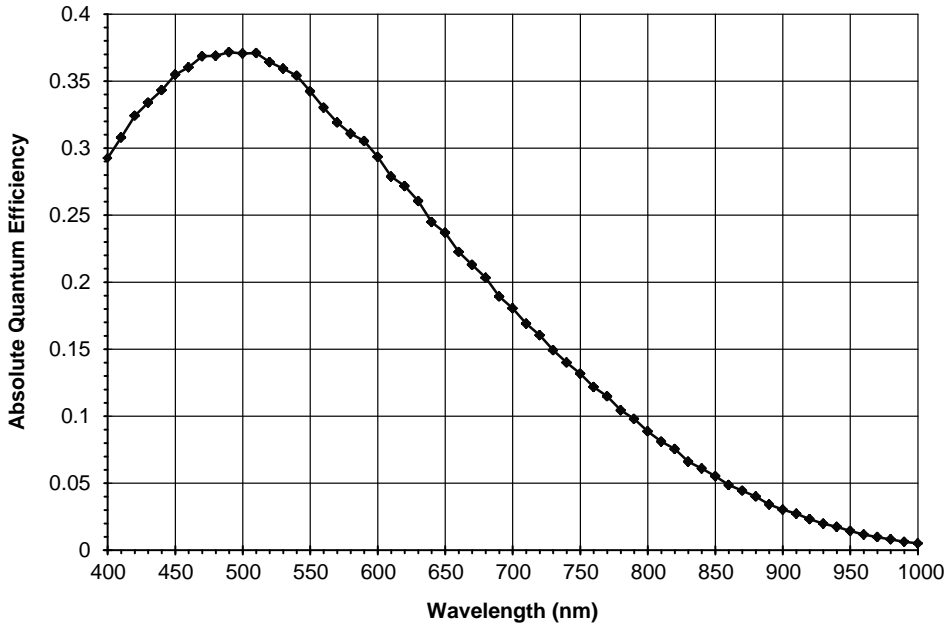


Figure 6. Nominal KAI-0330-ABA Spectral Response



**Angular Quantum Efficiency**

*Monochrome with Microlens*

For the curve marked “Horizontal”, the incident light angle is varied in a plane parallel to the HCCD.

For the curve marked “Vertical”, the incident light angle is varied in a plane parallel to the VCCD.

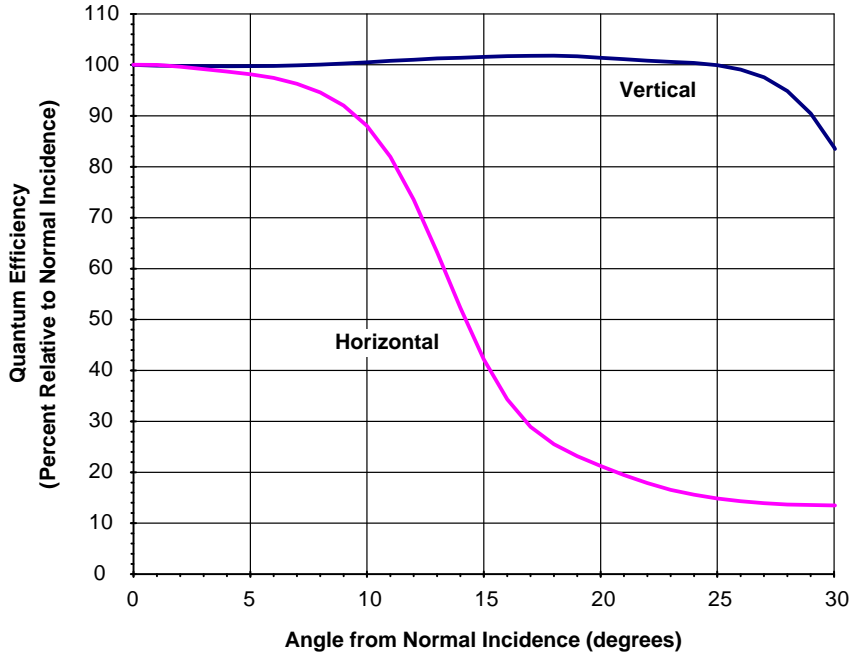


Figure 7. Angular Dependence on Quantum Efficiency

**Typical Photoresponse**

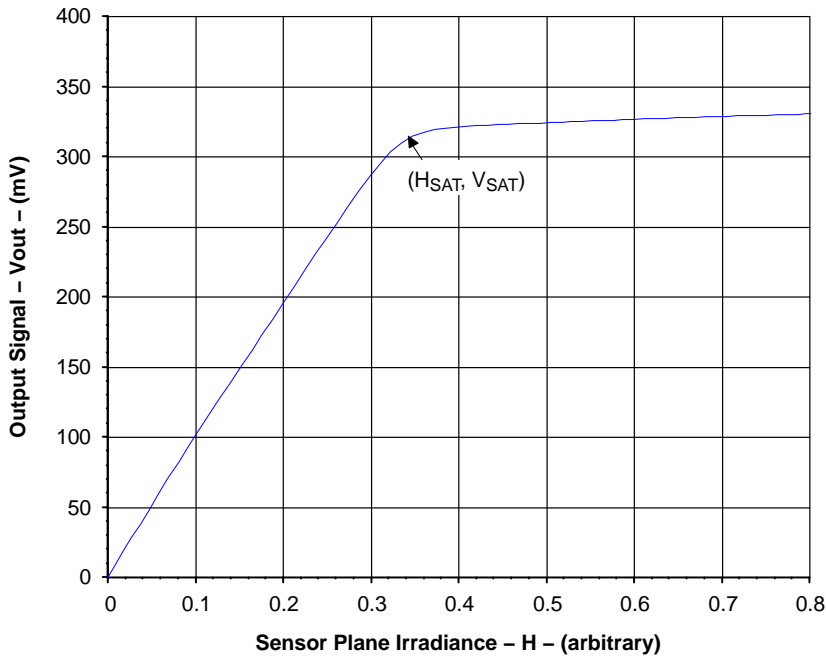


Figure 8. Typical KAI-0330 Photoresponse

**Saturation Signal vs. Substrate Voltage**

As  $V_{SUB}$  is decreased,  $V_{SAT}$  increases and anti-blooming protection decreases.  
 As  $V_{SUB}$  is increased,  $V_{SAT}$  decreases and anti-blooming protection increases.

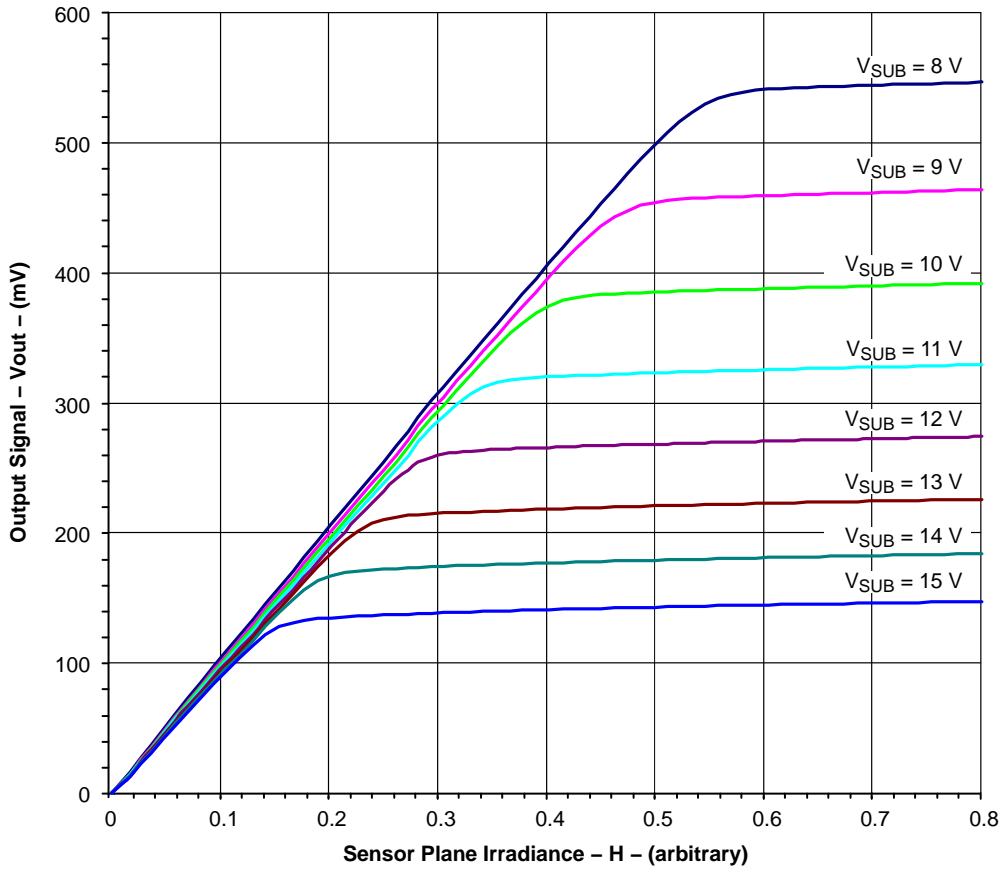


Figure 9. Example of  $V_{SAT}$  vs  $V_{SUB}$

**Frame Rate**

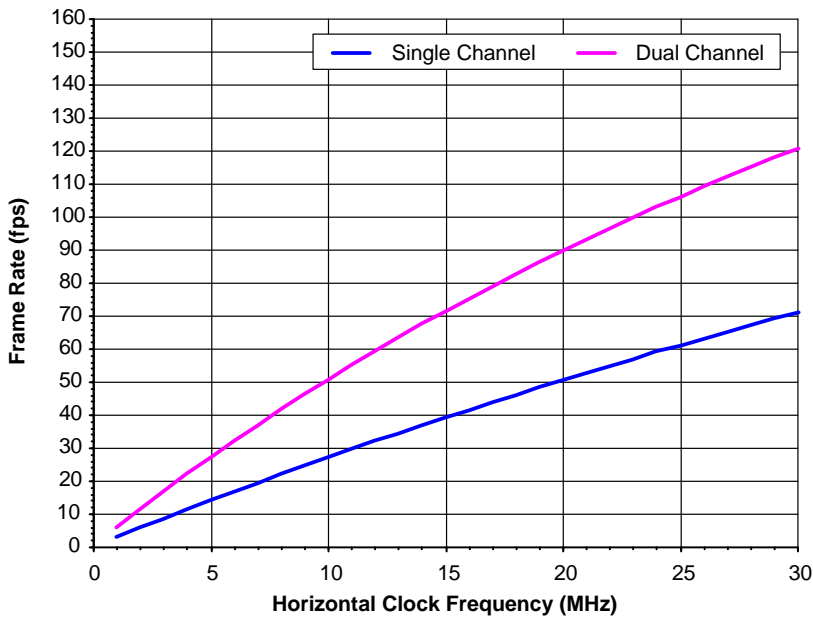


Figure 10. Frame Rate vs. Horizontal Clock Frequency

**DEFECT DEFINITIONS**

**Table 10. OPERATIONAL CONDITIONS**

| Description          | Symbol        | Condition |
|----------------------|---------------|-----------|
| Junction Temperature | $T_J$         | 40°C      |
| Integration Time     | $t_{INT}$     | 40 ms     |
| Readout Rate         | $t_{READOUT}$ | 40 ms     |

**Table 11. SPECIFICATIONS**

| Point Defects (Major) | Point Defects (Minor) | Cluster Defects | Column Defects |
|-----------------------|-----------------------|-----------------|----------------|
| ≤ 2                   | ≤ 15                  | 0               | 0              |

**Table 12. DEFECT DEFINITIONS**

| Defect Type           | Defect Definition  |
|-----------------------|--|
| Major Defective Pixel | A pixel whose signal deviates by more than 25 mV from the mean value of all active pixels under dark field condition or by more than 15% from the mean value of all active pixels under uniform illumination at 80% of saturation. |
| Minor Defective Pixel | A pixel whose signal deviates by more than 6 mV from the mean value of all active pixels under dark field condition.   |
| Point Defect          | An isolated defective pixel.   |
| Cluster Defect        | A group of 2 to 4 contiguous major defective pixels.   |
| Column Defect         | A group of more than 4 contiguous major defective pixels along a single column or row.   |

NOTE: No row defect are allowed.

OPERATION

Table 13. ABSOLUTE MAXIMUM RATINGS

| Rating                    | Description   | Min. | Max. | Unit | Notes   |
|---------------------------|---|------|------|------|---------|
| Temperature (@ 10% ±5%RH) | Operation Without Damage  | -50  | 70   | °C   |         |
| Voltage (Between Pins)    | SUB-WELL  | 0    | 40   | V    | 1, 5    |
|                           | V <sub>RD</sub> , V <sub>DD</sub> , OG & V <sub>SS</sub> - WELL | 0    | 15   | V    | 2       |
|                           | V <sub>OUTA</sub> & V <sub>OUTB</sub> - WELL                    | 0    | 15   | V    | 2       |
|                           | φV1 - φV2   | -12  | 20   | V    | 2       |
|                           | φH1A, φH1B - φH2  | -12  | 15   | V    | 2       |
|                           | φH1A, φH1B, φH2, FDG - φV2                                      | -12  | 15   | V    | 2       |
|                           | φH2 - OG & V <sub>SS</sub>                                      | -12  | 15   | V    | 2       |
|                           | φR - SUB  | -20  | 0    | V    | 1, 2, 4 |
|                           | All Clocks - WELL   | -12  | 15   | V    | 2       |
| Current                   | Output Bias Current (I <sub>OUT</sub> )                         | -    | 10   | mA   | 3       |

Stresses exceeding those listed in the Maximum Ratings table may damage the device. If any of these limits are exceeded, device functionality should not be assumed, damage may occur and reliability may be affected.

- Under normal operating conditions the substrate voltage should be above +7 V, but may be pulsed to 40 V for electronic shuttering.
- Care must be taken in handling so as not to create static discharge which may permanently damage the device.
- Per Output, I<sub>OUT</sub> affects the band-width of the outputs.
- φR should never be more positive than V<sub>SUB</sub>.
- Refer to Application Note *Using Interline CCD Image Sensors in High Intensity Visible Lighting Conditions*.

DC Operating Conditions

Table 14. DC OPERATING CONDITIONS

| Description                     | Symbol           | Min. | Nom.             | Max. | Unit | Pin Impedance   |
|---------------------------------|------------------|------|------------------|------|------|-----------------|
| Reset Drain                     | V <sub>RD</sub>  | 8.5  | 9                | 9.5  | V    | 5 pF, > 1.2 MΩ  |
| Reset Drain Current             | I <sub>RD</sub>  | -    | 0.2              | -    | mA   |                 |
| Output Amplifier Return & OG    | V <sub>SS</sub>  | -    | 0                | -    | V    | 30 pF, > 1.2 MΩ |
| Output Amplifier Return Current | I <sub>SS</sub>  | -    | 5                | -    | mA   |                 |
| Output Amplifier Supply         | V <sub>DD</sub>  | 12   | 15.0             | 15.5 | V    | 30 pF, > 1.2 MΩ |
| Output Bias Current (Note 4)    | I <sub>OUT</sub> | -    | 5                | 10   | mA   |                 |
| P-Well (Note 1)                 | WELL             | -    | 0.0              | -    | V    | Common          |
| Ground (Note 1)                 | GND              | -    | 0.0              | -    | V    |                 |
| Fast Dump Gate (Note 2)         | FDG              | -5.5 | -5.0             | -4.5 | V    | 20 pF, > 1.2 MΩ |
| Substrate (Notes 3, 7)          | SUB              | 7    | V <sub>SUB</sub> | 15   | V    | 1 nF, > 1.2 MΩ  |

- The WELL and GND pins should be connected to P-well ground.
- The voltage level specified will disable the fast dump feature.
- This pin may be pulsed to V<sub>ES</sub> = 40 V for electronic shuttering.
- Per output. Note also that I<sub>OUT</sub> affects the bandwidth of the outputs.
- Pins shown with impedance greater than 1.2 MΩ are expected resistances. These pins are only verified to 1.2 MΩ.
- The operating levels are for room temperature operation. Operation at other temperatures may or may not require adjustments of these voltages.
- Refer to Application Note *Using Interline CCD Image Sensors in High Intensity Visible Lighting Conditions*.

# KAI-0330

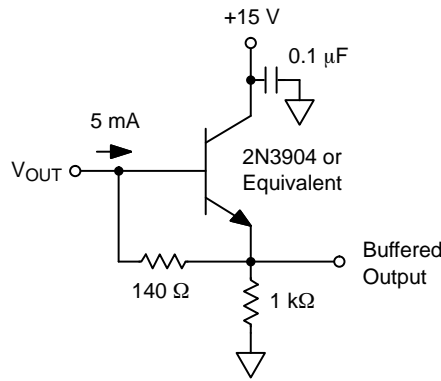


Figure 11. Recommended Output Structure Load Diagram

## AC Clock Level Conditions

Table 15. CLOCK LEVELS

| Description   | Symbol | Level | Min.  | Nom. | Max. | Unit | Pin Impedance    |
|---|--------|-------|-------|------|------|------|------------------|
| Vertical CCD Clock  | φV1    | Low   | -10.0 | -9.5 | -9.0 | V    | 25 nF, > 1.2 MΩ  |
|   |        | Mid   | 0.0   | 0.2  | 0.4  | V    |                  |
|   |        | High  | 8.5   | 9.0  | 9.5  | V    |                  |
| Vertical CCD Clock  | φV2    | Low   | -10.0 | -9.5 | -9.0 | V    | 25 nF, > 1.2 MΩ  |
|   |        | High  | 0.0   | 0.2  | 0.4  | V    |                  |
| φ1 Horizontal CCD A Clock                                 | φH1A   | Low   | -7.5  | -7.0 | -6.5 | V    | 100 pF, > 1.2 MΩ |
|   |        | High  | 2.5   | 3.0  | 3.5  | V    |                  |
| φ1 Horizontal CCD B Clock (Single Register Mode) (Note 4) | φH1B   | Low   | -7.5  | -7.0 | -6.5 | V    | 100 pF, > 1.2 MΩ |
| φ1 Horizontal CCD B Clock (Dual Register Mode) (Note 4)   | φH1B   | Low   | -7.5  | -7.0 | -6.5 | V    | 100 pF, > 1.2 MΩ |
|   |        | High  | 2.5   | 3.0  | 3.5  | V    |                  |
| φ2 Horizontal CCD Clock                                   | φH2    | Low   | -7.5  | -7.0 | -6.5 | V    | 125 pF, > 1.2 MΩ |
|   |        | High  | 2.5   | 3.0  | 3.5  | V    |                  |
| Reset Clock   | φR     | Low   | -6.5  | -6.0 | -5.5 | V    | 5 pF, > 1.2 MΩ   |
|   |        | High  | -0.5  | 0.0  | 0.5  | V    |                  |
| Fast Dump Gate Clock (Note 3)                             | φFDG   | Low   | -5.5  | -5.0 | -4.5 | V    | 20 pF, > 1.2 MΩ  |
|   |        | High  | 4.5   | 5.0  | 5.5  | V    |                  |

1. The AC and DC operating levels are for room temperature operation. Operation at other temperatures may or may not require adjustments of these voltages.
2. Pins shown with impedance greater than 1.2 MΩ are expected resistances. These pins are only verified to 1.2 MΩ.
3. When not used, refer to DC operating condition.
4. For single register mode, set φH1B to -7.0 V at all times rather than clocking it.

This device is suitable for a wide range of applications requiring a variety of different operating conditions. Consult

ON Semiconductor in those situations in which operating conditions meet or exceed minimum or maximum levels.

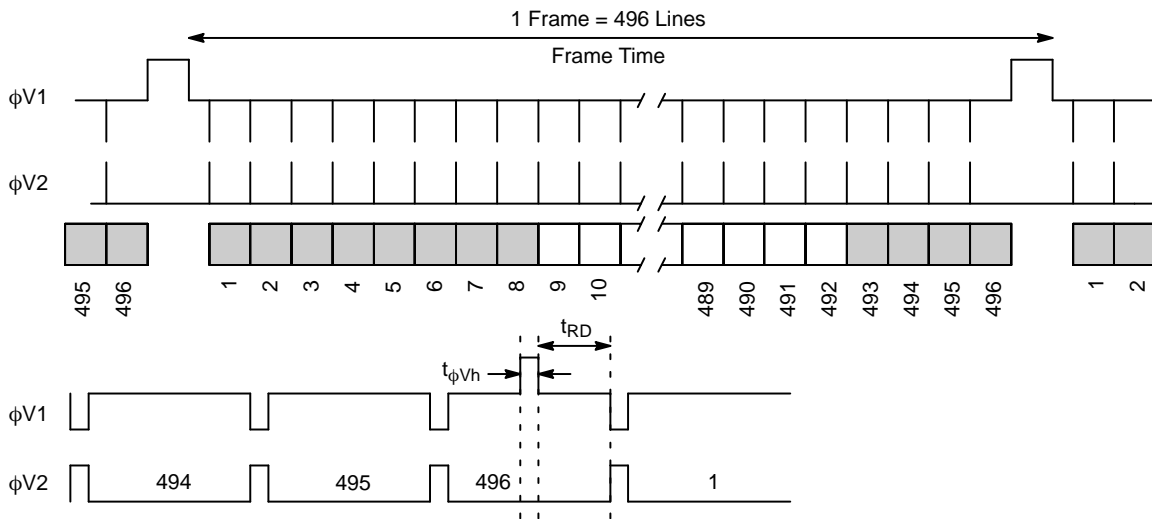
**TIMING**

**Table 16. REQUIREMENTS AND CHARACTERISTICS** (For 30 MHz Operation)

| Description                                      | Symbol                       | Min. | Nom. | Max. | Unit    | Figure    |
|--|------------------------------|------|------|------|---------|-----------|
| Reset Pulse Width                                | $t_{\phi R}$                 | -    | 10   | -    | ns      | Figure 14 |
| Electronic Shutter Pulse Width                   | $t_{ES}$                     | 10   | 25   | -    | $\mu s$ | Figure 15 |
| Integration Time (Note 1)                        | $t_{INT}$                    | 0.1  | -    | -    | ms      | Figure 15 |
| Photodiode to VCCD Transfer Pulse Width (Note 2) | $t_{\phi Vh}$                | 4    | 5    | -    | $\mu s$ | Figure 12 |
| Clamp Delay                                      | $t_{CD}$                     | -    | 15   | -    | ns      | Figure 14 |
| Clamp Pulse Width                                | $t_{CP}$                     | -    | 15   | -    | ns      | Figure 14 |
| Sample Delay                                     | $t_{SD}$                     | -    | 35   | -    | ns      | Figure 14 |
| Sample Pulse Width                               | $t_{SP}$                     | -    | 15   | -    | ns      | Figure 14 |
| Vertical Readout Delay                           | $t_{RD}$                     | 10   | -    | -    | $\mu s$ | Figure 12 |
| $\phi V1$ , $\phi V2$ Pulse Width                | $t_{\phi V}$                 | 2    | 2.5  | -    | $\mu s$ | Figure 13 |
| $\phi H1A$ , $\phi H1B$ , $\phi H2$              | Clock Frequency $t_{\phi H}$ | -    | -    | 30   | MHz     | Figure 14 |
| Line A to Line B Transfer Pulse Width            | $t_{\phi AB}$                | 2    | 2.5  | -    | $\mu s$ | Figure 17 |
| Horizontal Delay                                 | $t_{\phi Hd}$                | 2    | 2.5  | -    | $\mu s$ | Figure 13 |
| Vertical Delay                                   | $t_{\phi Vd}$                | 25   | -    | -    | ns      | Figure 13 |
| Horizontal Delay with Electronic Shutter         | $t_{\phi HVES}$              | 1    | -    | -    | $\mu s$ | Figure 15 |

1. Integration time varies with shutter speed. It is to be noted that smear increases when integration time decreases below readout time (frame time). Photodiode dark current increases when integration time increases, while CCD dark current increases with readout time (frame time).
2. Anti-blooming function is off during photodiode to VCCD transfer.

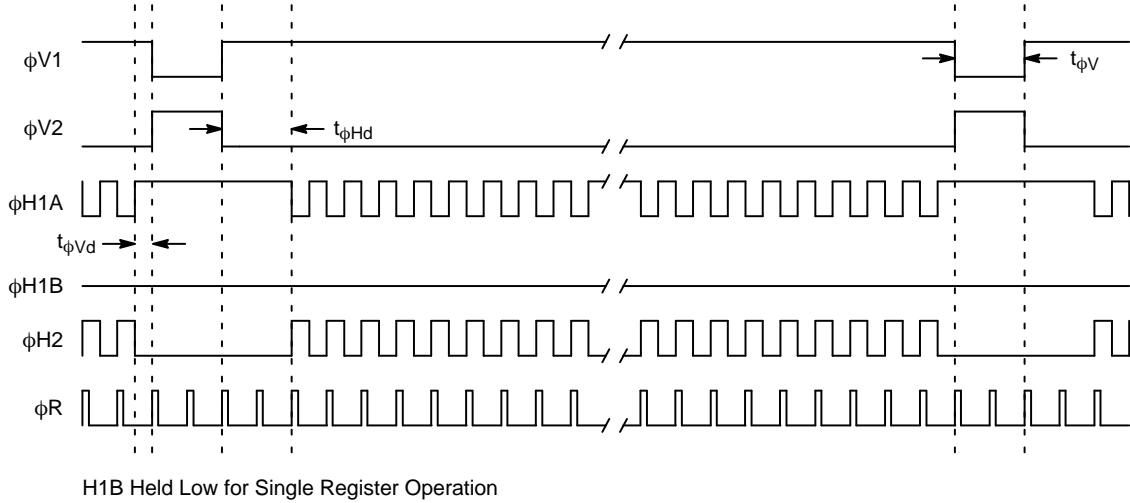
**Frame Timing – Single Register Readout**



NOTE: When no electronic shutter is used, the integration time is equal to the frame time.

**Figure 12. Frame Timing Diagram – Single Register Readout**

Line Timing – Single Register Readout



Line Content



Figure 13. Line Timing Diagram – Single Register Output

Pixel Timing – Single Register Readout

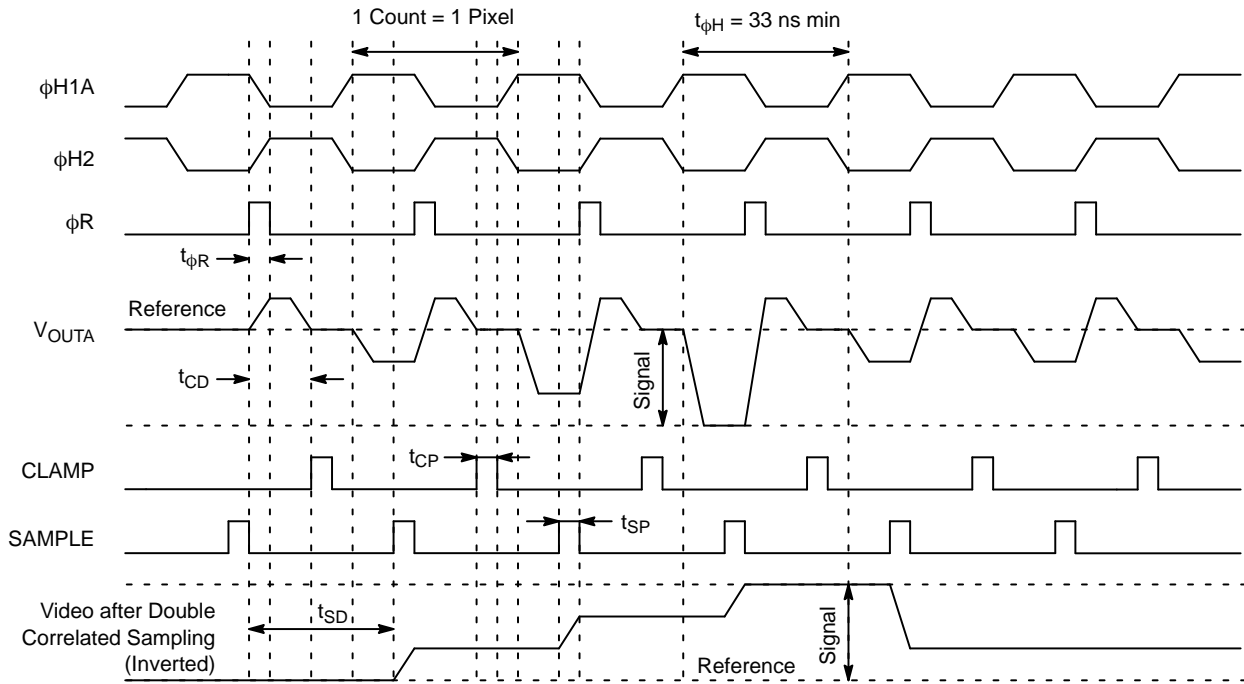
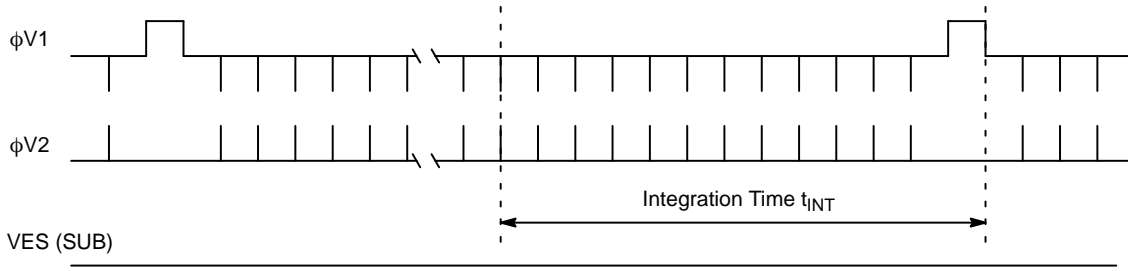


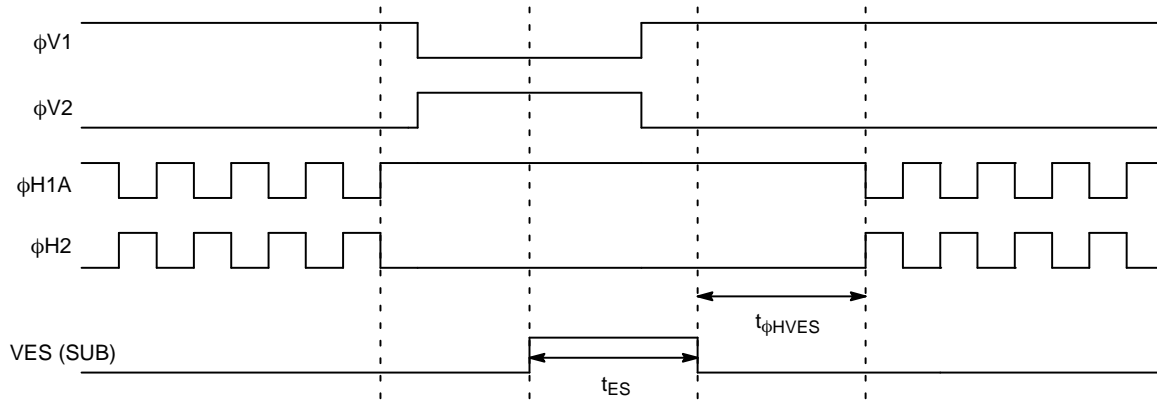
Figure 14. Pixel Timing Diagram – Single Register Readout

Electronic Shutter Timing – Single Regulator Readout

**Frame Timing**



**Placement**



**Operating Voltages**

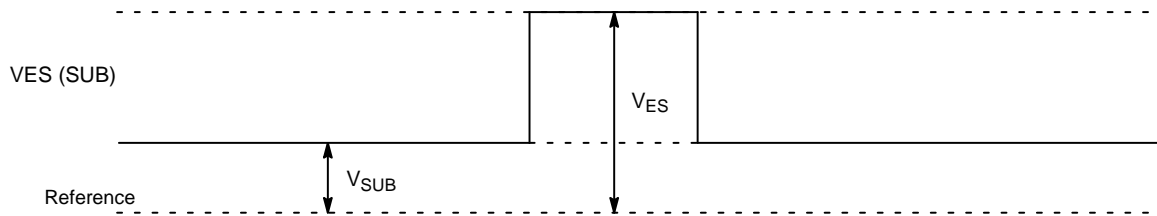
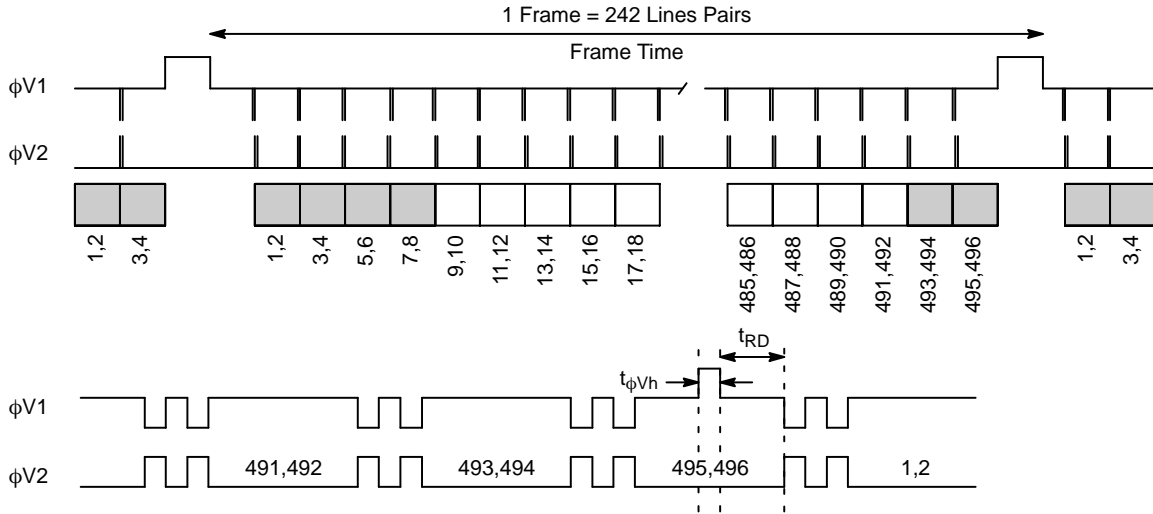


Figure 15. Electronic Shutter Timing Diagram – Single Register Readout



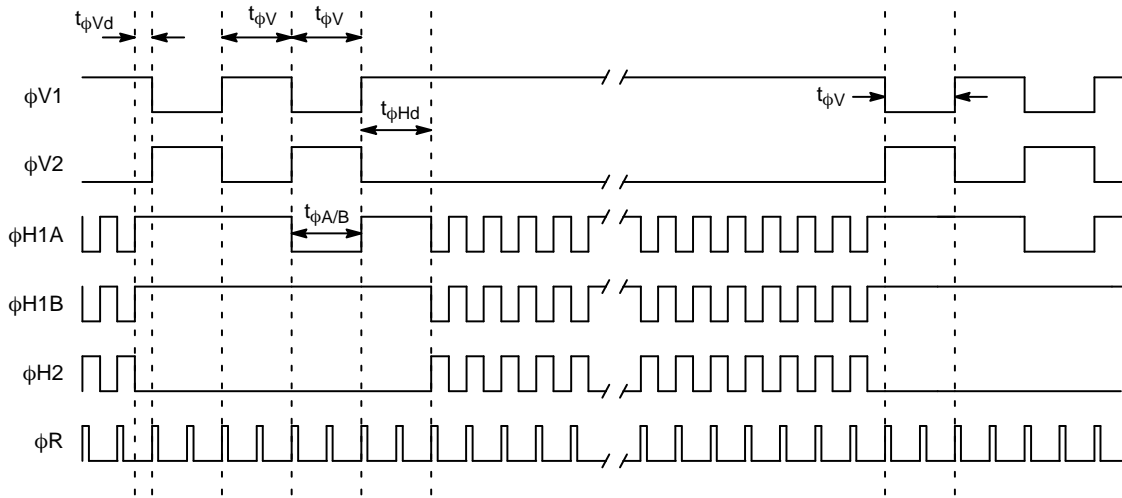
Frame Timing – Dual Register Readout



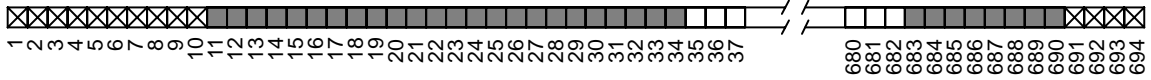
NOTE: When no electronic shutter is used, the integration time is equal to the frame time.

Figure 16. Frame Timing Diagram – Dual Register Readout

Line Timing – Dual Register Readout



Line Content



Empty Shift Register Phases     
  Dark Reference Pixels     
  Photoactive Pixels

Figure 17. Line Timing Diagram – Dual Register Output

Pixel Timing – Dual Register Readout

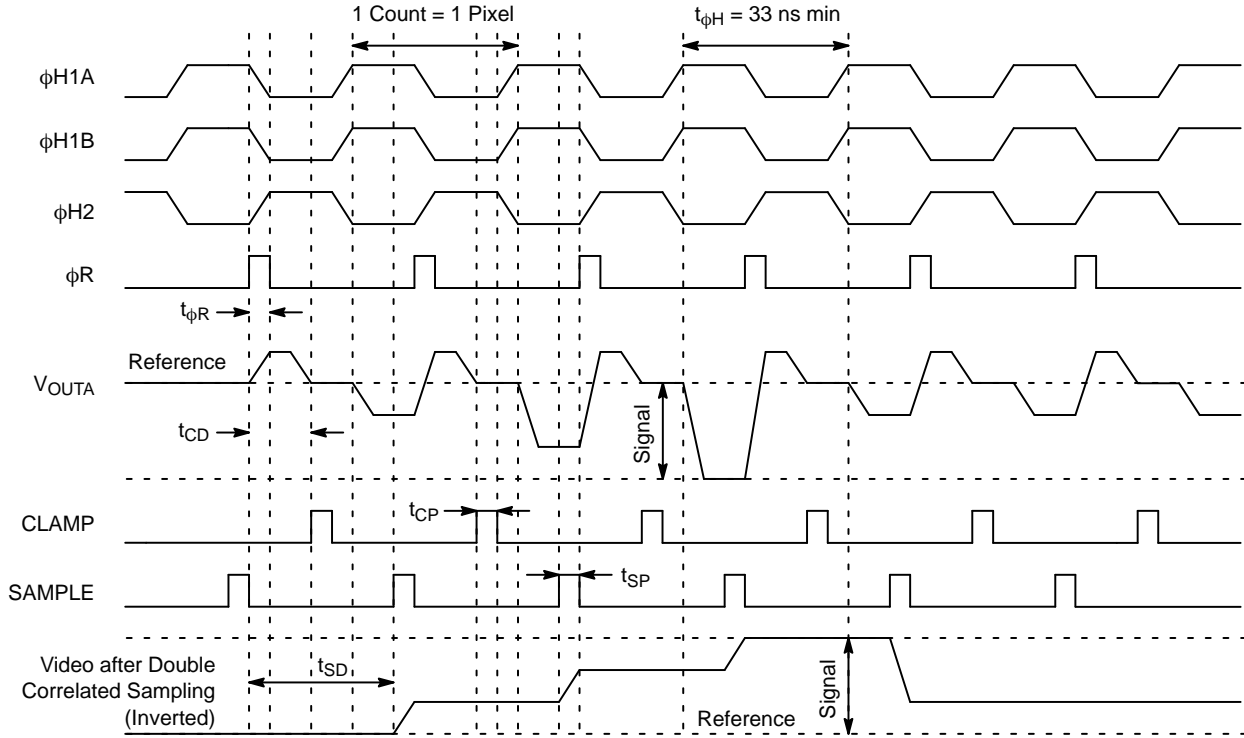


Figure 18. Pixel Timing Diagram – Dual Register Readout

Fast Line Dump Timing – Removing Four Lines

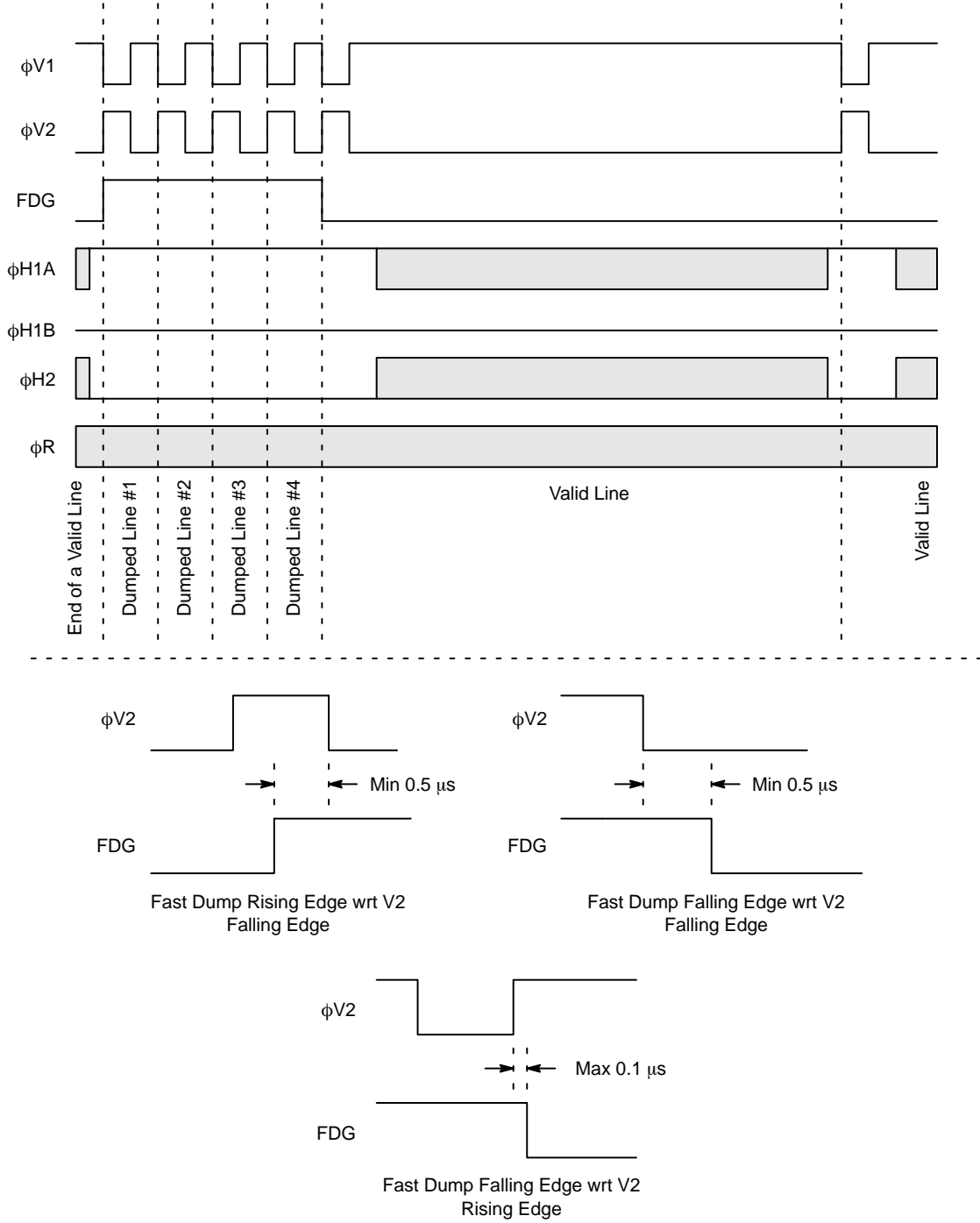


Figure 19. Fast Line Dump Timing – Removing Four Lines

Binning – Two to One Line Binning

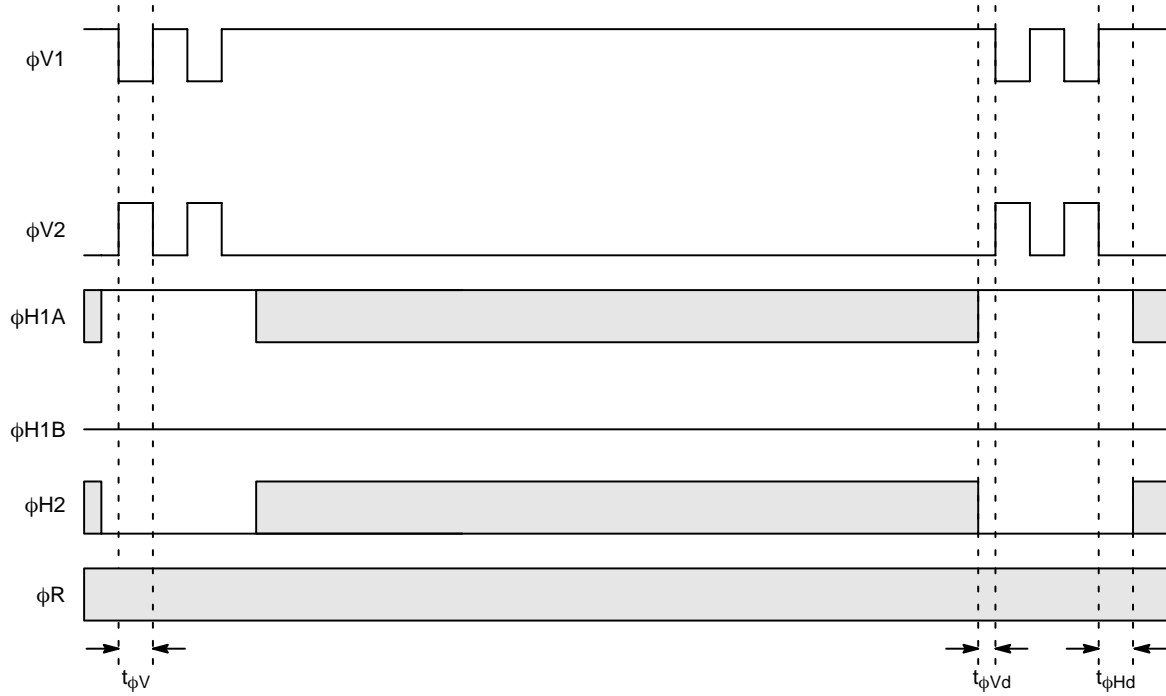


Figure 20. Binning – 2 to 1 Line Binning

Timing – Sample Video Waveform

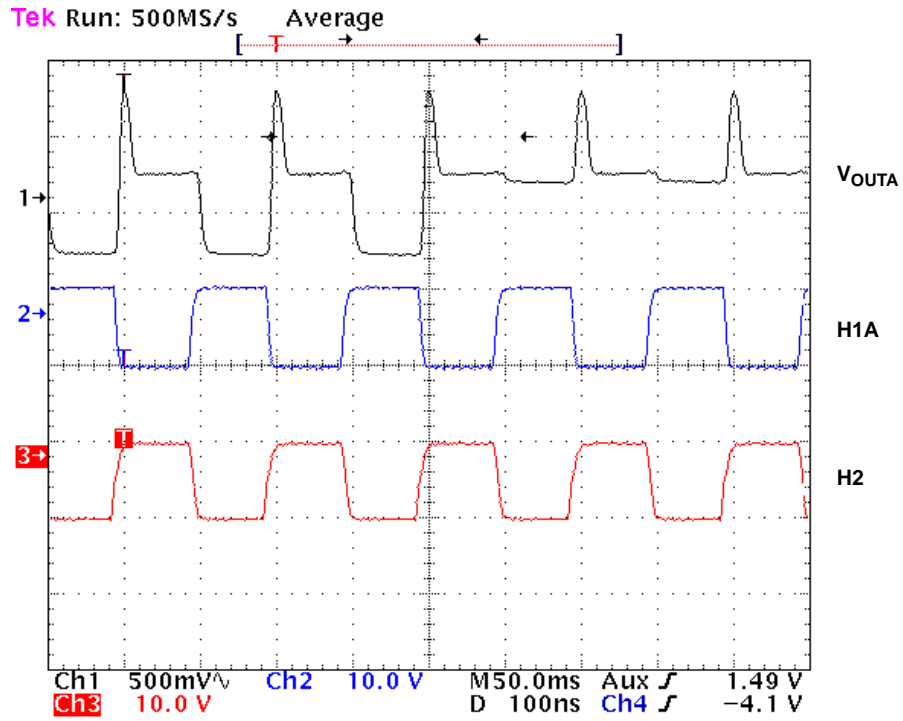


Figure 21. Sample Video Waveform at 5 MHz

## STORAGE AND HANDLING

Table 17. CLIMATIC REQUIREMENTS

| Item                       | Description | Min. | Max. | Units | Conditions     | Notes |
|----------------------------|-------------|------|------|-------|----------------|-------|
| Operation to Specification | Temperature | -25  | 40   | °C    | @ 10% ±5% RH   | 1, 2  |
|                            | Humidity    | 10±5 | 86±5 | % RH  | @ 36±2°C Temp. | 1, 2  |
| Storage                    | Temperature | -55  | 70   | °C    | @ 10% ±5% RH   | 2, 4  |
|                            | Humidity    | -    | 95±5 | % RH  | @ 49±2°C Temp. | 2, 4  |

1. The image sensor shall meet the specifications of this document while operating at these conditions.
2. The tolerance on all relative humidity values is provided due to limitations in measurement instrument accuracy.
3. The image sensor shall continue to function but not necessarily meet the specifications of this document while operating at the specified conditions.
4. The image sensor shall meet the specifications of this document after storage for 15 days at the specified conditions.

For information on ESD and cover glass care and cleanliness, please download the *Image Sensor Handling and Best Practices* Application Note (AN52561/D) from [www.onsemi.com](http://www.onsemi.com).

For information on environmental exposure, please download the *Using Interline CCD Image Sensors in High Intensity Lighting Conditions* Application Note (AND9183/D) from [www.onsemi.com](http://www.onsemi.com).

For information on soldering recommendations, please download the *Soldering and Mounting Techniques Reference Manual* (SOLDERRM/D) from [www.onsemi.com](http://www.onsemi.com).

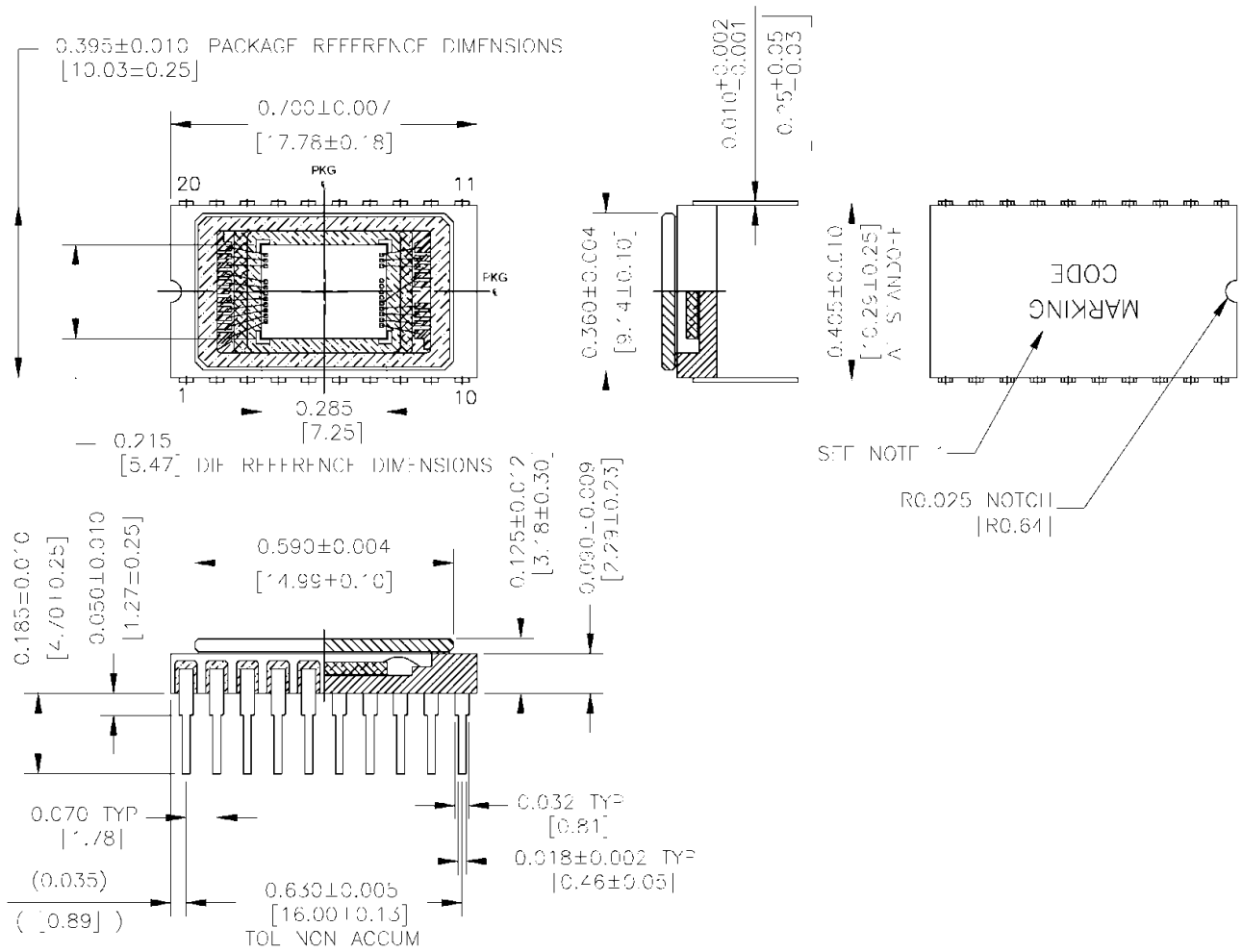
For quality and reliability information, please download the *Quality & Reliability Handbook* (HBD851/D) from [www.onsemi.com](http://www.onsemi.com).

For information on device numbering and ordering codes, please download the *Device Nomenclature* technical note (TND310/D) from [www.onsemi.com](http://www.onsemi.com).

For information on Standard terms and Conditions of Sale, please download [Terms and Conditions](http://www.onsemi.com) from [www.onsemi.com](http://www.onsemi.com).

MECHANICAL INFORMATION

Completed Assembly

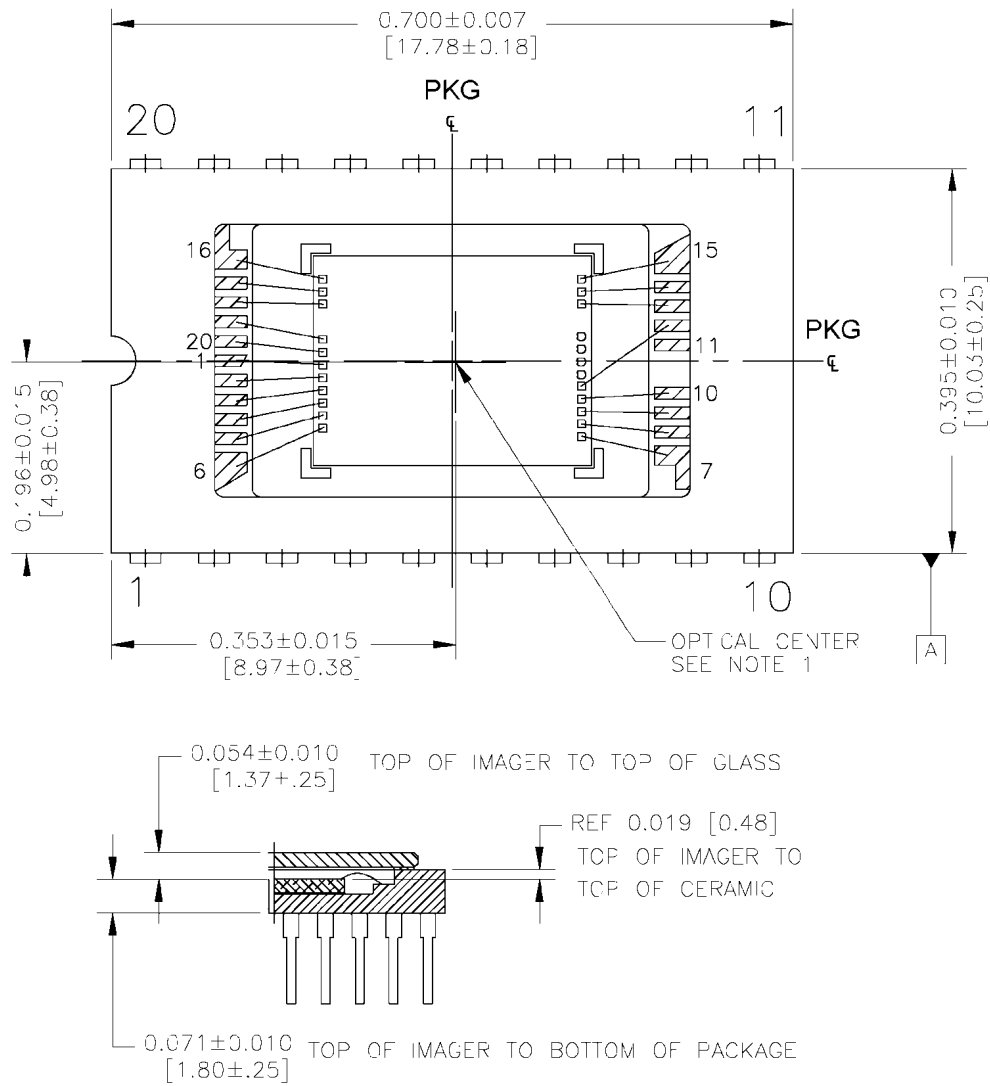


Notes:

1. See Ordering Information for Marking Code.
2. Cover Glass is visually aligned over die – location accuracy is not guaranteed.
3. Units: Inches [mm].

Figure 22. Completed Assembly (1 of 2)

# KAI-0330



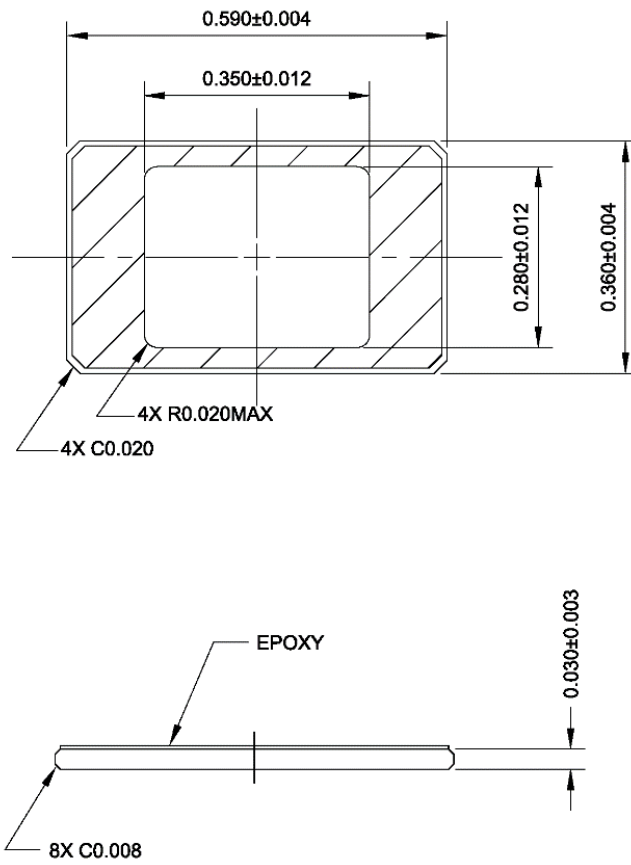
**Notes:**

1. Center of image area is offset from center of package by (0.08, -0.04) mm nominal.
2. Die is visually aligned within  $\pm 2^\circ$  of datum A.
3. Units: Inches [mm].

**Figure 23. Completed Assembly (2 of 2)**

# KAI-0330

## Cover Glass



### Notes:

1. Dust/Scratch Count: 5 microns max
2. Units: Inches

Figure 24. Cover Glass Drawing



Cover Glass Transmission

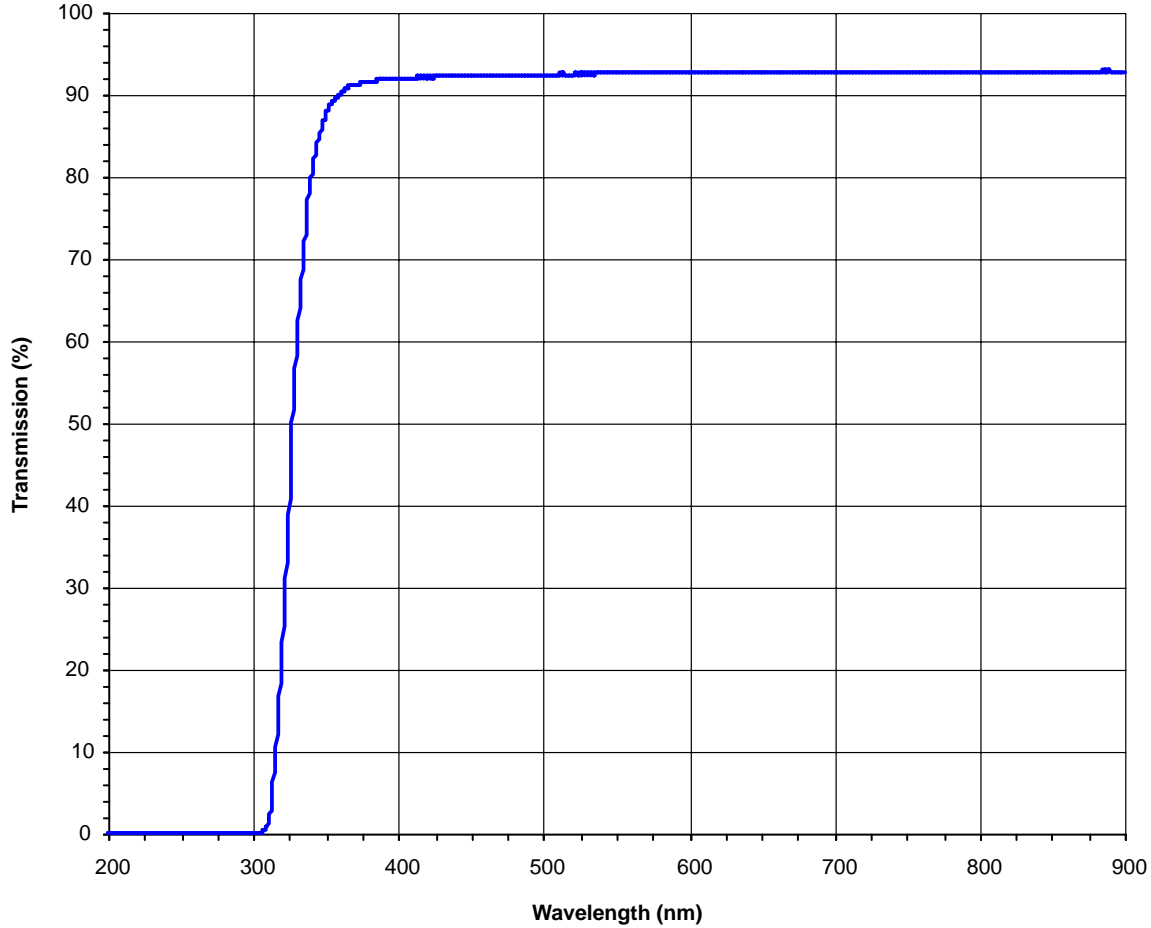



Figure 25. Cover Glass Transmission

ON Semiconductor and the  are registered trademarks of Semiconductor Components Industries, LLC (SCILLC) or its subsidiaries in the United States and/or other countries. SCILLC owns the rights to a number of patents, trademarks, copyrights, trade secrets, and other intellectual property. A listing of SCILLC's product/patent coverage may be accessed at [www.onsemi.com/site/pdf/Patent-Marking.pdf](http://www.onsemi.com/site/pdf/Patent-Marking.pdf). SCILLC reserves the right to make changes without further notice to any products herein. SCILLC makes no warranty, representation or guarantee regarding the suitability of its products for any particular purpose, nor does SCILLC assume any liability arising out of the application or use of any product or circuit, and specifically disclaims any and all liability, including without limitation special, consequential or incidental damages. "Typical" parameters which may be provided in SCILLC data sheets and/or specifications can and do vary in different applications and actual performance may vary over time. All operating parameters, including "Typicals" must be validated for each customer application by customer's technical experts. SCILLC does not convey any license under its patent rights nor the rights of others. SCILLC products are not designed, intended, or authorized for use as components in systems intended for surgical implant into the body, or other applications intended to support or sustain life, or for any other application in which the failure of the SCILLC product could create a situation where personal injury or death may occur. Should Buyer purchase or use SCILLC products for any such unintended or unauthorized application, Buyer shall indemnify and hold SCILLC and its officers, employees, subsidiaries, affiliates, and distributors harmless against all claims, costs, damages, and expenses, and reasonable attorney fees arising out of, directly or indirectly, any claim of personal injury or death associated with such unintended or unauthorized use, even if such claim alleges that SCILLC was negligent regarding the design or manufacture of the part. SCILLC is an Equal Opportunity/Affirmative Action Employer. This literature is subject to all applicable copyright laws and is not for resale in any manner.

PUBLICATION ORDERING INFORMATION

**LITERATURE FULFILLMENT:**  
 Literature Distribution Center for ON Semiconductor  
 19521 E. 32nd Pkwy, Aurora, Colorado 80011 USA  
**Phone:** 303-675-2175 or 800-344-3860 Toll Free USA/Canada  
**Fax:** 303-675-2176 or 800-344-3867 Toll Free USA/Canada  
**Email:** [orderlit@onsemi.com](mailto:orderlit@onsemi.com)

**N. American Technical Support:** 800-282-9855 Toll Free  
 USA/Canada  
**Europe, Middle East and Africa Technical Support:**  
 Phone: 421 33 790 2910  
**Japan Customer Focus Center**  
 Phone: 81-3-5817-1050

**ON Semiconductor Website:** [www.onsemi.com](http://www.onsemi.com)  
**Order Literature:** <http://www.onsemi.com/orderlit>  
 For additional information, please contact your local Sales Representative

Компания «Life Electronics» занимается поставками электронных компонентов импортного и отечественного производства от производителей и со складов крупных дистрибьюторов Европы, Америки и Азии.

С конца 2013 года компания активно расширяет линейку поставок компонентов по направлению коаксиальный кабель, кварцевые генераторы и конденсаторы (керамические, пленочные, электролитические), за счёт заключения дистрибьюторских договоров

Мы предлагаем:

- Конкурентоспособные цены и скидки постоянным клиентам.
- Специальные условия для постоянных клиентов.
- Подбор аналогов.
- Поставку компонентов в любых объемах, удовлетворяющих вашим потребностям.
- Приемлемые сроки поставки, возможна ускоренная поставка.
- Доставку товара в любую точку России и стран СНГ.
- Комплексную поставку.
- Работу по проектам и поставку образцов.
- Формирование склада под заказчика.
- Сертификаты соответствия на поставляемую продукцию (по желанию клиента).
- Тестирование поставляемой продукции.
- Поставку компонентов, требующих военную и космическую приемку.
- Входной контроль качества.
- Наличие сертификата ISO.

В составе нашей компании организован Конструкторский отдел, призванный помогать разработчикам, и инженерам.

Конструкторский отдел помогает осуществить:

- Регистрацию проекта у производителя компонентов.
- Техническую поддержку проекта.
- Защиту от снятия компонента с производства.
- Оценку стоимости проекта по компонентам.
- Изготовление тестовой платы монтаж и пусконаладочные работы.



Тел: +7 (812) 336 43 04 (многоканальный)

Email: [org@lifeelectronics.ru](mailto:org@lifeelectronics.ru)