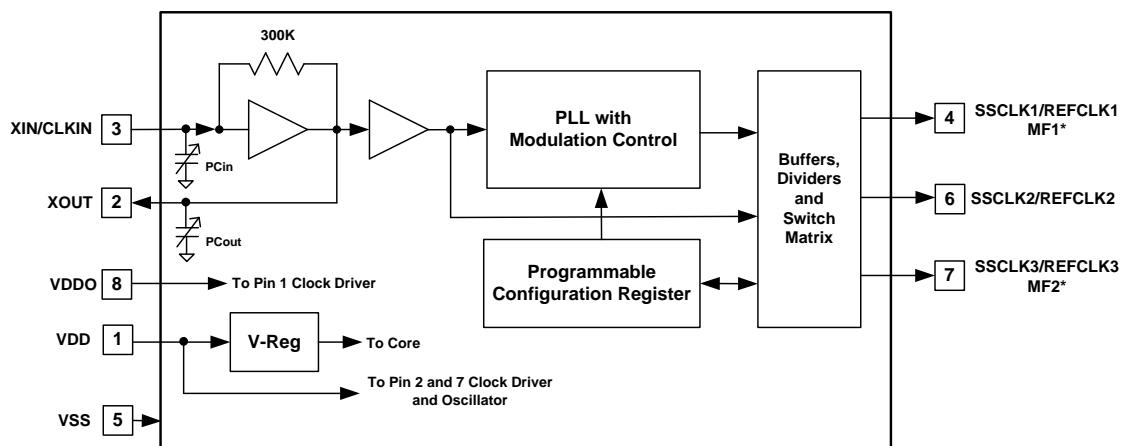


Programmable Spread Spectrum Clock Generator (SSCG)

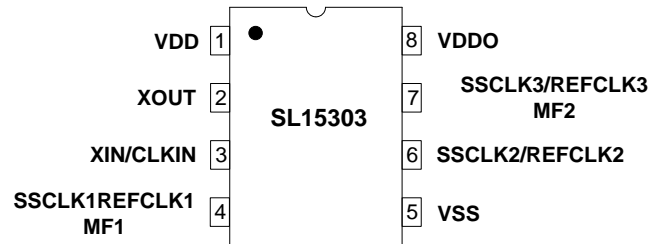
Key Features	Description
<ul style="list-style-type: none"> • Wide 2.5V to 3.3V +/-10% power supply range • 1.8V+/-5% Power Supply • Programmable 3 outputs from 3 to 200MHz • Low CCJ and LTJ • Low power dissipation • Programmable Center or Down Spread Modulation from 0.25 to 5.0% • 8 to 48 MHz external crystal range • 8 to 166 MHz external clock range • Integrated internal voltage regulator • Programmable PD#/OE/SSON#/FSEL functions • Programmable CL at XIN and XOUT pins • Programmable output rise and fall times • Programmable spread spectrum modulation frequency from 30 to 120 kHz 	<p>The SL15303 a programmable low power Spread Spectrum Clock Generator (SSCG) used for reducing Electromagnetic Interference (EMI).</p> <p>The product is designed using SpectraLinear proprietary programmable EProClock™ phase-locked loop (PLL) and Spread Spectrum Clock (SSC) technology to synthesize and modulate the input clock. The modulated clock can significantly reduce the measured EMI levels, and leading to the compliance with regulatory agency requirements.</p> <p>Up to 3 output clock frequencies, Spread %, output rise and fall times, crystal load, modulation frequency and PD#/OE/SSON#/FS functions can be programmed to meet the needs of wide range of applications.</p> <p>The SL15300 operates from 2.5V to 3.3V+/-10% or 1.8V+/-5% power supply voltage ranges. Contact SLI for 1.8+/-5% power supply operation specifications.</p> <p>The product is offered in 8-pin TSSOP package with commercial and industrial grades.</p>
<p>Applications</p> <ul style="list-style-type: none"> • Printers, MFPs • Digital Copiers • NBPCs and LCD Monitors • Routers, Servers and Switchers • HDTV and DVD-R/W 	<p>Benefits</p> <ul style="list-style-type: none"> • Peak EMI reduction of 8 to 16 dB • Fast time-to-market • Cost Reduction • Reduction of PCB layers • Eliminates the need for higher order crystals (Xtals) and crystal oscillators (XOs)

Block Diagram



*MF: Programmable input control pin as PD#, OE, SSON# (Spread On/Off) or FSEL (Frequency Select)

Pin Configuration



8-Pin TSSOP

Pin Description

Pin Number	Pin Name	Pin Type	Pin Description
1	VDD	Power	Positive power supply pin for Pins 4 and 6 I/O (clock driver, PD#, OE, SSON# or FS), core and input oscillator. This pin can be powered as 3.3 to 2.5V or 1.8V as long as $VDDO \leq VDD$.
2	XOUT	Output	Crystal or ceramic resonator output pin. Leave this pin unconnected (floating) if external clock is used at Pin-3.
3	XIN/CLKIN	Input	Crystal, ceramic resonator or external clock input pin.
4	SSCLK1, REFCLK1 or MF1	Output or Input	Programmable SSCLK1 or REFOUT1 clock pin or MF1 (PD#, OE, SSON# or FS control pin.) These input control pin can be programmed as Active Low or Active High) and pins can be internally programmed to have pull down (VSS), up (VDD) or no resistors. This pin is powered by VDD, Pin 1.
5	VSS	Power	Power supply ground for VDD and VSS.
6	SSCLK2, REFCLK2	Output	This pin can be programmed as SSCLK2 or REFCLK2 clock pin and powered by VDD, Pin 1.
7	SSCLK3, REFCLK3 or MF2	Output	Programmable SSCLK3 or REFOUT3 clock pin or MF2 (PD#, OE, SSON# or FS control pin.) These input control pin can be programmed as Active Low or Active High) and pins can be internally programmed to have pull down (VSS), up (VDD) or no resistors. This pin is powered by VDDO, Pin 8 as long as $VDDO \leq VDD$.
8	VDDO	Power	Power supply pin for Pin 7 clock driver. This pin can be powered as 3.3 to 2.5V or 1.8V as long as $VDDO \leq VDD$.

Notes:

1. Pull-down/up resistors can be programmed to VDD or VSS as required.
2. Refer to DC electrical specifications tables for pull-down/up resistor values.

General Description

The primary source of EMI from digital circuits is the system clock and all the other synchronous clocks and control signals derived from the system clock. The well know techniques of filtering (suppression) and shielding (containment), while effective, can cost money, board space and longer development time.

A more effective and efficient technique to reduce EMI is Spread Spectrum Clock Generator (SSCG) technique. Instead of using constant clock frequency, the SSCG technique modulates (spreads) the system clock with a much smaller frequency, to reduce EMI emissions at its source: The System Clock.

The SL15303 is designed using SpectraLinear proprietary programmable **EProClock™** phase-locked loop (PLL) and Spread Spectrum Technologies (SST) to synthesize and modulate (spread) the system clock such that the energy is spread out over a wider bandwidth. This reduces the peak value of the radiated emissions at the fundamental and the harmonics.

Power Supply Operation

The SL15303 operates from 3.3V to 2.5V+/-10% and 1.8+/-5% power supply ranges. Pins 7 driver is powered using VDDO where $VDDO \leq VDD$.

The SL15303 is available in 8-pin TSSOP package with Commercial Temperature range of 0 to 70°C and Industrial Temperature range of -40 to 85°C.

Input Frequency Range

The input frequency range is from 8.0 to 48.0 MHz for crystals and ceramic resonators. If an external clock is used, the input frequency range is from 3 to 166 MHz.

Output Frequency Range and Outputs

Up to four (3) outputs can be programmed as SSCLK, CLKOUT or REFCLK. SSCLK or CLKOUT output can be synthesized to any value from 3 to 200 MHz with spread based on valid input frequency. The spread at SSCLK pins can be stopped by SSON# input control pin, If SSON# pin is HIGH (VDD), the frequency at this pin is the synthesized to the nominal value of the input frequency and there is no spread.

REFOUT is the buffered output of the oscillator and is the same frequency as the input frequency without spread. However, REFOUT value can also be divided by using the output dividers from 2 to 32. The SSCLK is the programmed and synthesized value of the input clock. The remaining SSCLKs could be the same value providing fanout of up to 4 or the frequency can be divided from also 2 to 32. In this case, the spread % value is the same as the original programmed spread % value. By using only first order crystals, SL15303 can synthesize output frequency up to 200 MHz, eliminating the need for higher order Crystals (Xtals) and Crystal Oscillators (XOs). This reduces the cost while improving the system clock accuracy, performance and reliability.

Programmable CL (Crystal Load)

The SL15303 provides programmable on-chip capacitors at XIN/CLKIN (Pin-3) and XOUT (Pin-2). The resolution of this programmable capacitor is 6-bits with LSB value of 0.5pF. When all bits are off the pin capacitance is $CXIN=CXOUT=8.5pF$ (minimum value). When all bits are on the pin capacitance is $CXIN=CXOUT=40pF$ (maximum value). The values of CXIN and CXOUT based on the CL (Crystal Load Capacitor) can be calculated as: $CXIN=CXOUT=2CL-C_{PCB}$. Refer to the Table 5 for additional information on crystal load (CL).

In addition, if an external clock is used, the capacitance at Pin-3 (CLKIN) can programmed to control the edge rate of this input clock, providing additional EMI control.

Programmable Modulation Frequency

The Spread Spectrum Clock (SSC) modulation default value is 31.5 kHz. The higher values of up to 120 kHz can also be programmed. Less than 30 kHz modulation frequency is not recommended to stay out of the range audio frequency bandwidth since this frequency could be detected as a noise by the audio receivers within the vicinity.

Programmable Spread Percent (%)

The spread percent (%) value is programmable from +/-0.25% to +/-2.5% (center spread) or -0.5% to -5.0% (down spread) for all SSCLK frequencies. It is possible to program smaller or larger non-standard values of spread percent. Contact SLI if these non-standard spread percent values are required in the application.

SSON# or Frequency Select (FS)

The SL15303 Pin-4 can also be programmed as either SSON# to enable or disable the programmed spread percent value or as Frequency Select (FS). If SSON# is used, when this pin is pulled high (VDD), the spread is stopped and the frequency is the nominal value without spread. If low (GND), the frequency is the nominal value with the spread.

If FS function is used, the output pins can be programmed for different set of frequencies as selected by FS. SSCLK value can be any frequency from 3 to 200MHz, but the spread % is the same percent value. REFOUT is the same frequency as the input reference clock or divide by from 2 to 32 without spread. The set of frequencies in Table 1 is given as an example, using 48MHz crystal. The SL15303 also allows a fan-out of up to 4, meaning that Pins 4, 6, 7 and 8 can be programmed to the same frequencies with or without spread.

FS (Pin-8)	SSCLK1/2 (Pins-4/7)	REFCLK4 (Pin-6)
0	66MHz, +/-2%	48MHz
1	33MHz, +/-2%	24MHz

Table 1. Frequency Selection (FS)

Power Down (PD#) or Output Enable (OE)

The SL15303 Pin-4 can be programmed as either PD# or OE. PD# powers down the entire chip whereas OE only disables the output buffers to Hi-Z.

Absolute Maximum Ratings

Description	Condition	Min	Max	Unit
Supply voltage, VDD		-0.5	4.6	V
All Inputs and Outputs		-0.5	VDD+0.5	V
Ambient Operating Temperature	In operation, C-Grade	0	70	°C
Ambient Operating Temperature	In operation, I-Grade	-40	85	°C
Storage Temperature	No power is applied	-65	150	°C
Junction Temperature	In operation, power is applied	-	125	°C
Soldering Temperature		-	260	°C
ESD Rating (Human Body Model)	JEDEC22-A114D	-4,000	4,000	V
ESD Rating (Charge Device Model)	JEDEC22-C101C	-1,500	1,500	V
ESD Rating (Machine Model)	JEDEC22-A115D	-250	250	V

DC Electrical Characteristics (C-Grade)

Unless Otherwise Stated VDD= VDDO= 3.3V to 2.5V+/- 10%, where VDDO≤VDD, CL=15pF and Ambient Temperature Range 0 to +70° C

Description	Symbol	Condition	Min	Typ	Max	Unit
Operating Voltage	VDD	VDD+/-10%, VDDO≤VDD	2.25	3.3	3.63	V
Operating Voltage	VDDO	VDD+/-10%, VDDO≤VDD	2.25	3.3	3.63	
Input Low Voltage	VIL	CMOS Level, if Pin 4 is programmed as PD#, OE, SSON# or FS	0	-	0.3VDD	V
Input High Voltage	VIH	CMOS Level, if Pin 4 is programmed as PD#, OE, SSON# or FS	0.7VDD	-	VDD	V
Output High Voltage	VOH	IOH=10mA , If Pins 4, 6, 7 and 8 are programmed as SSCLK/REFCLK	VDD-0.5	-	-	V
Output Low Voltage	VOL	IOL=10mA, If Pins 4, 6 or 7 are programmed as SSCLK, CLKOUT or REFCLK	-	-	0.5	V
Input High Current	I _{IH}	VIN=GND, Pin 4 is programmed as PD#, OE, SSON# or FS and no pull-up/down resistor used	-10	-	10	μA
Input Low Current	I _{IL}	VIN=GND, Pin 4 is programmed as PD#, OE, SSON# or FS and no pull-up/down resistor used	-10	-	10	μA
Pull-up or Down Resistors	RPU/D	CMOS Level, if Pin is programmed as MF (PD#, OE, SSON# or FSEL)	100	150	250	kΩ

Operating Supply Current	IDD	FIN=30MHz and all 3 clocks are at 66MHz and +/-2.0% Spread and CL=0	-	7.8	9.4	mA
Standby Current	ISBC	PD#=GND	-	200	350	µA
Output Leakage Current	IOL	Pins 4, 6 and 7 if programmed as SSCLK, CLKOUT or REFOUT	-10	-	10	µA
Programmable Input Capacitance at Pins 2 and 3	PCin PCout	Minimum setting value	-	7	-	pF
		Maximum setting value	-	40	-	pF
		Resolution (programming steps)	-	0.5	-	pF
Input Capacitance	CIN2	Pins 4, 6 or 7 if programmed as MF (PD#, OE, SSON or FS)	-	4	6	pF
Load Capacitance	CL	Pins 4, 6 or 7 If programmed as SSCLK or REFCLK	-	-	15	pF

AC Electrical Characteristics (C-Grade)

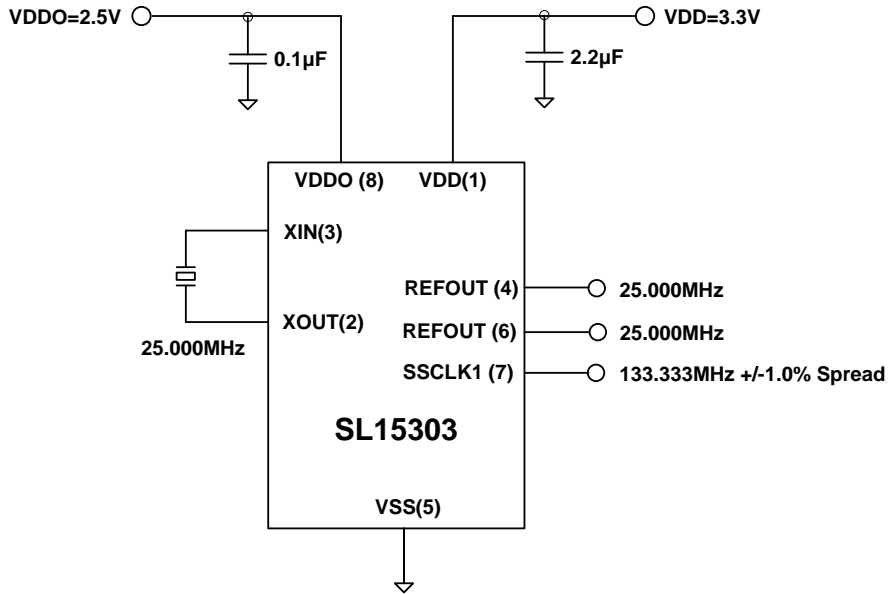
Unless Otherwise Stated VDD= VDDO= 3.3V to 2.5V+/- 10%, where VDDO≤VDD, CL=15pF and Ambient Temperature Range 0 to +70° C

Parameter	Symbol	Condition	Min	Typ	Max	Unit
Input Frequency Range	FIN1	Crystal or Ceramic Resonator	8	-	48	MHz
Input Frequency Range	FIN2	External Clock	3	-	166	MHz
Output Frequency Range	FOUT1	SSCLK or CLKOUT	3	-	200	MHz
Output Frequency Range	FOUT2	REFCLK, crystal or resonator input	0.25	-	48	MHz
Output Frequency Range	FOUT3	REFCLK, clock input	0.25	-	166	MHz
Output Duty Cycle	DC1	SSCLK	45	50	55	%
Output Duty Cycle	DC2	REFCLK , Xtal input	45	50	55	%
Output Duty Cycle	DC3	REFCLK, clock input	40	50	60	%
Input Duty Cycle	DCIN	Clock Input, Pin 3	40	50	60	%
Output Rise/Fall Time	tr/f1-3.3	Programmable, VDD=VDDO=3.3V, CL=15pF, 20 to 80% of VDD/VDDO	-	4.00	4.80	ns
Output Rise/Fall Time	tr/f2-3.3	Programmable, VDD=VDDO=3.3V, CL=15pF, 20 to 80% of VDD/VDDO	-	2.00	2.40	ns
Output Rise/Fall Time	tr/f3-3.3	Programmable, VDD=VDDO=3.3V, CL=15pF, 20 to 80% of VDD/VDDO	-	1.40	1.70	ns
Output Rise/Fall Time	tr/f4-3.3	Programmable, VDD=VDDO=3.3V, CL=15pF, 20 to 80% of VDD/VDDO	-	1.10	1.35	ns
Output Rise/Fall Time	tr/f5-3.3	Programmable, VDD=VDDO=3.3V, CL=15pF, 20 to 80% of VDD/VDDO	-	0.85	1.00	ns
Output Rise/Fall Time	tr/f6-3.3	Programmable, VDD=VDDO=3.3V, CL=15pF, 20 to 80% of VDD/VDDO	-	0.70	0.85	ns

Output Rise/Fall Time	tr/f7-3.3	Programmable, VDD=VDDO=3.3V, CL=15pF, 20 to 80% of VDD/VDDO	-	0.55	0.67	ns
Output Rise/Fall Time	tr/f1-2.5	Programmable, VDD=VDDO=2.5V, CL=15pF, 20 to 80% of VDD/VDDO	-			ns
Output Rise/Fall Time	tr/f2-2.5	Programmable, VDD=VDDO=2.5V, CL=15pF, 20 to 80% of VDD/VDDO	-			ns
Output Rise/Fall Time	tr/f3-2.5	Programmable, VDD=VDDO=2.5V, CL=15pF, 20 to 80% of VDD/VDDO	-			ns
Output Rise/Fall Time	tr/f4-2.5	Programmable, VDD=VDDO=2.5V, CL=15pF, 20 to 80% of VDD/VDDO	-			ns
Output Rise/Fall Time	tr/f5-2.5	Programmable, VDD=VDDO=2.5V, CL=15pF, 20 to 80% of VDD/VDDO	-			ns
Output Rise/Fall Time	tr/f6-2.5	Programmable, VDD=VDDO=2.5V, CL=15pF, 20 to 80% of VDD/VDDO	-			ns
Output Rise/Fall Time	tr/f7-2.5	Programmable, VDD=VDDO=2.5V, CL=15pF, 20 to 80% of VDD/VDDO	-			ns
Cycle-to-Cycle Jitter (SSCLK – Pins 4/6/7/8)	CCJ1	FIN=25MHz, all 3 clocks are at 33MHz, +/-2.0% Spread. CL=15pF	-	130	-	ps
Cycle-to-Cycle Jitter (SSCLK – Pins 4/6/7/8)	CCJ2	FIN=25MHz, all 3 clocks are at 66MHz, +/-2.0% Spread. CL=15pF	-	100	-	ps
Power-down Time	tPD	Time from PD# falling edge to Hi-Z at outputs (Asynchronous)	-	150	350	ns
Power-up Time (Crystal or Resonator)	tPU1	Time from PD# rising edge to valid frequency at outputs (Asynchronous)	-	3.5	5.0	ms
Power-up Time (Clock)	tPU2	Time from PD# rising edge to valid frequency at outputs (Asynchronous)	-	2.0	3.0	ms
Output Enable Time	tOE	Time from OE falling edge to Hi-Z at outputs (Asynchronous)	-	180	350	ns
Output Disable Time	tOD	Time from OE falling edge to Hi-Z at outputs (Asynchronous)	-	180	350	ns
Spread Percent Range	SPR-1	Center Spread, SSCLK-1/2/3/4	+/-0.125	-	+/-2.5	%
Spread Percent Range	SPR-2	Down Spread, SSCLK-1/2/3/4	-5.0	-	-0.25	%
Spread Percent Variation	ΔSS%	Variation of programmed Spread %	-15	-	15	%
Modulation Frequency	FMOD	Programmable, 31.5 kHz standard	30	31.5	120	kHz

External Components & Design Considerations

Typical Application Schematic



Comments and Recommendations

Decoupling Capacitor: A decoupling capacitor of 0.1µF must be used between VDD and VSS on the pins 1 and 5. Place the capacitor on the component side of the PCB as close to the VDD pin as possible. The PCB trace to the VDD pin and to the GND via should be kept as short as possible. Do not use vias between the decoupling capacitor and the VDD pin.

Series Termination Resistor: A series termination resistor is recommended if the distance between the outputs (SSCLK or REFCLK pins) and the load is over 1 ½ inch. The nominal impedance of the SSCLK output is about 30 Ω. Use 20 Ω resistor in series with the output to terminate 50Ω trace impedance and place 20 Ω resistor as close to the SSCLK output as possible.

Crystal and Crystal Load: Use only parallel resonant fundamental crystals. DO NOT USE higher overtone crystals. To meet the crystal initial accuracy specification (in ppm); the internal on-chip programmable capacitors PCin and PCout must be programmed to match the crystal load requirement. These values are given by the formula below:

$$PCin(pF) = PCout(pF) = [(CL(pF) - Cp(pF)/2)] \times 2$$

Where CL is crystal load capacitor as given by the crystal datasheet and Cp(pF) is the compensation factor for the total parasitic capacitance at XIN or XOUT pin including PCB related parasitic capacitance.

As an example; if a crystal with CL=18pF is used and Cp=4pF, by using the above formula, PCin=PCout=[(18-(4/2))] x 2 = 32pF. Programming PCin and PCout to 32pF assures that this crystal sees an equivalent load of 18pF and no other external crystal load capacitor is needed. Deviating from the crystal load specification could cause an increase in frequency accuracy in ppm. Refer to the Table 5 for the recommended crystal specifications.

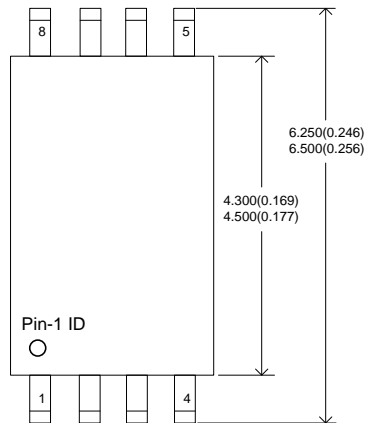
Recommended External Crystal Specifications

Parameter	Description	Min	Typ	Max	Unit	Comments
FNOM	Nominal Crystal Frequency Range	8	-	48	MHz	Fundamental Mode – AT Cut
CL	Nominal Crystal Load	6	12	18	pF	Load for +/-0 ppm Fo resonance value
R1,1	Equivalent Series Resistance	20	40	100	Ohm	F-Range: 8.0 to 12.999 MHz
R1,2	Equivalent Series Resistance	12.5	25	60	Ohm	F-Range: 13.0 to 19.999 MHz
R1,3	Equivalent Series Resistance	10	20	50	Ohm	F-Range: 20.0 to 48.000 MHz
DL1,1	Crystal Drive Level	-	-	200	μW	F-Range: 8.0 to 19.999 MHz
DL1,2	Crystal Drive Level	-	-	150	μW	F-Range: 20.0 to 48.000 MHz
Co1	Shunt Capacitance	-	4	5.4	pF	SMD Xtals
Co2	Shunt Capacitance	-	5	7.2	pF	Through Hole (Leaded) Xtals

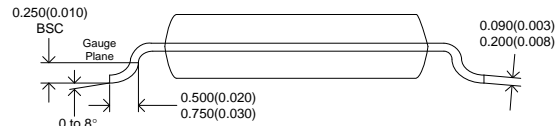
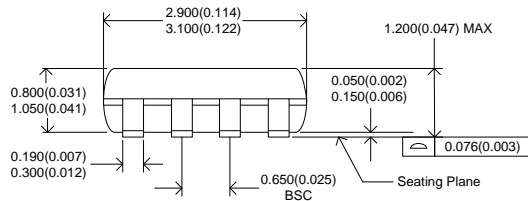
Table 5. Recommended Crystal Specifications

Package Outline and Package Dimensions

8-Pin TSSOP Package (173 Mil)



Dimensions are in millimeters (inches)
Top line: (MIN) and Bottom line: (Max)



Thermal Characteristics

Parameter	Symbol	Condition	Min	Typ	Max	Unit
Thermal Resistance Junction to Ambient	θ_{JA}	Still air	-	110	-	°C/W
	θ_{JA}	1m/s air flow	-	100	-	°C/W
	θ_{JA}	3m/s air flow	-	80	-	°C/W
Thermal Resistance Junction to Case	θ_{JC}	Independent of air flow	-	35	-	°C/W

Ordering Information ^[1]

Ordering Number ^[2]	Marking	Shipping Package	Package	Temperature
SL15303EZC-XXX	SL15303EZC-XXX	Tube	8-pin TSSOP	0 to 70°C
SL15303EZC-XXXT	SL15303EZC-XXX	Tape and Reel	8-pin TSSOP	0 to 70°C
SL15303EZI-XXX	SL15303EZI-XXX	Tube	8-pin TSSOP	-40 to 85°C
SL15303EZI-XXXT	SL15303EZI-XXX	Tape and Reel	8-pin TSSOP	-40 to 85°C

Notes:

1. All SLI products are RoHS compliant.
2. "XXX" is "Dash" number will be assigned by SLI for the final programmed samples and production units based on the each customer programming requirements.

The information in this document is believed to be accurate in all respects at the time of publication but is subject to change without notice. Silicon Laboratories assumes no responsibility for errors and omissions, and disclaims responsibility for any consequences resulting from the use of information included herein. Additionally, Silicon Laboratories assumes no responsibility for the functioning of undescribed features or parameters. Silicon Laboratories reserves the right to make changes without further notice. Silicon Laboratories makes no warranty, representation or guarantee regarding the suitability of its products for any particular purpose, nor does Silicon Laboratories assume any liability arising out of the application or use of any product or circuit, and specifically disclaims any and all liability, including without limitation consequential or incidental damages. Silicon Laboratories products are not designed, intended, or authorized for use in applications intended to support or sustain life, or for any other application in which the failure of the Silicon Laboratories product could create a situation where personal injury or death may occur. Should Buyer purchase or use Silicon Laboratories products for any such unintended or unauthorized application, Buyer shall indemnify and hold Silicon Laboratories harmless against all claims and damages.

Компания «Life Electronics» занимается поставками электронных компонентов импортного и отечественного производства от производителей и со складов крупных дистрибьюторов Европы, Америки и Азии.

С конца 2013 года компания активно расширяет линейку поставок компонентов по направлению коаксиальный кабель, кварцевые генераторы и конденсаторы (керамические, пленочные, электролитические), за счёт заключения дистрибьюторских договоров

Мы предлагаем:

- Конкуренспособные цены и скидки постоянным клиентам.
- Специальные условия для постоянных клиентов.
- Подбор аналогов.
- Поставку компонентов в любых объемах, удовлетворяющих вашим потребностям.
- Приемлемые сроки поставки, возможна ускоренная поставка.
- Доставку товара в любую точку России и стран СНГ.
- Комплексную поставку.
- Работу по проектам и поставку образцов.
- Формирование склада под заказчика.
- Сертификаты соответствия на поставляемую продукцию (по желанию клиента).
- Тестирование поставляемой продукции.
- Поставку компонентов, требующих военную и космическую приемку.
- Входной контроль качества.
- Наличие сертификата ISO.

В составе нашей компании организован Конструкторский отдел, призванный помогать разработчикам, и инженерам.

Конструкторский отдел помогает осуществить:

- Регистрацию проекта у производителя компонентов.
- Техническую поддержку проекта.
- Защиту от снятия компонента с производства.
- Оценку стоимости проекта по компонентам.
- Изготовление тестовой платы монтаж и пусконаладочные работы.



Тел: +7 (812) 336 43 04 (многоканальный)
Email: org@lifeelectronics.ru