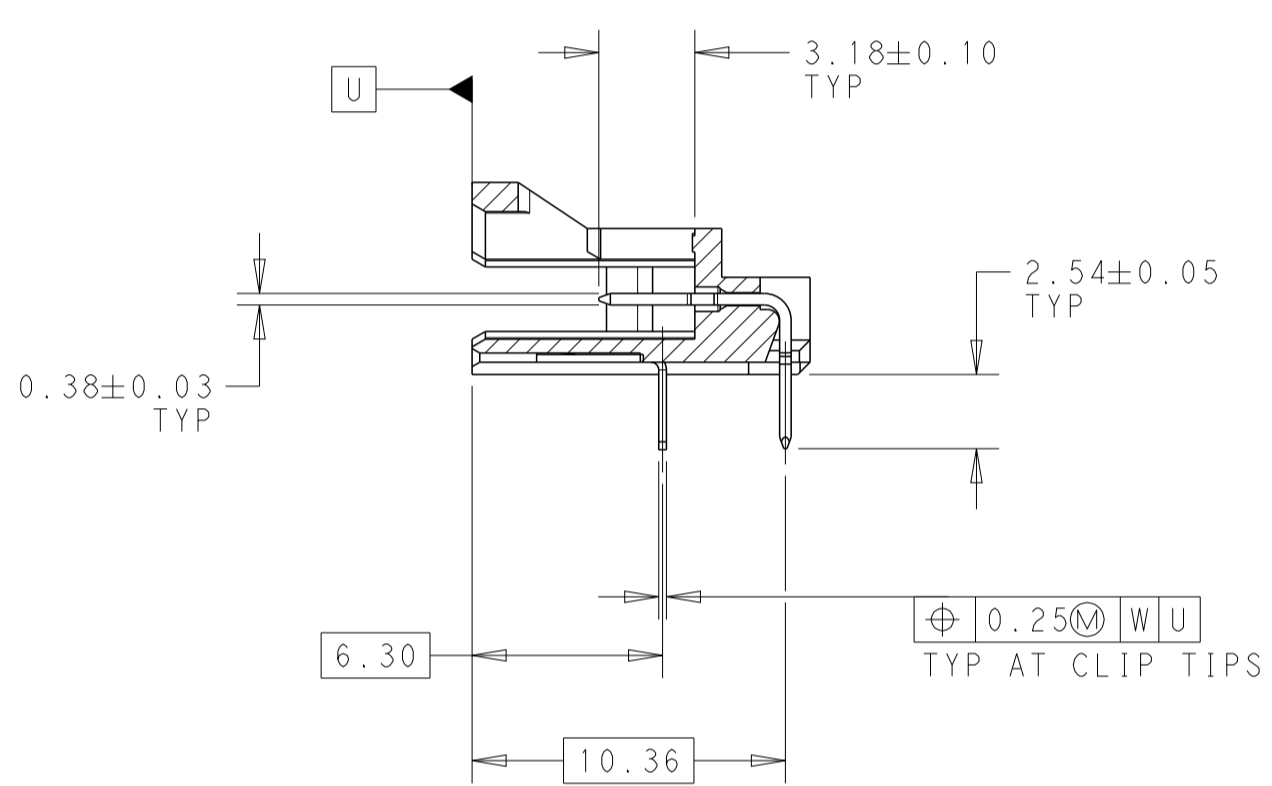
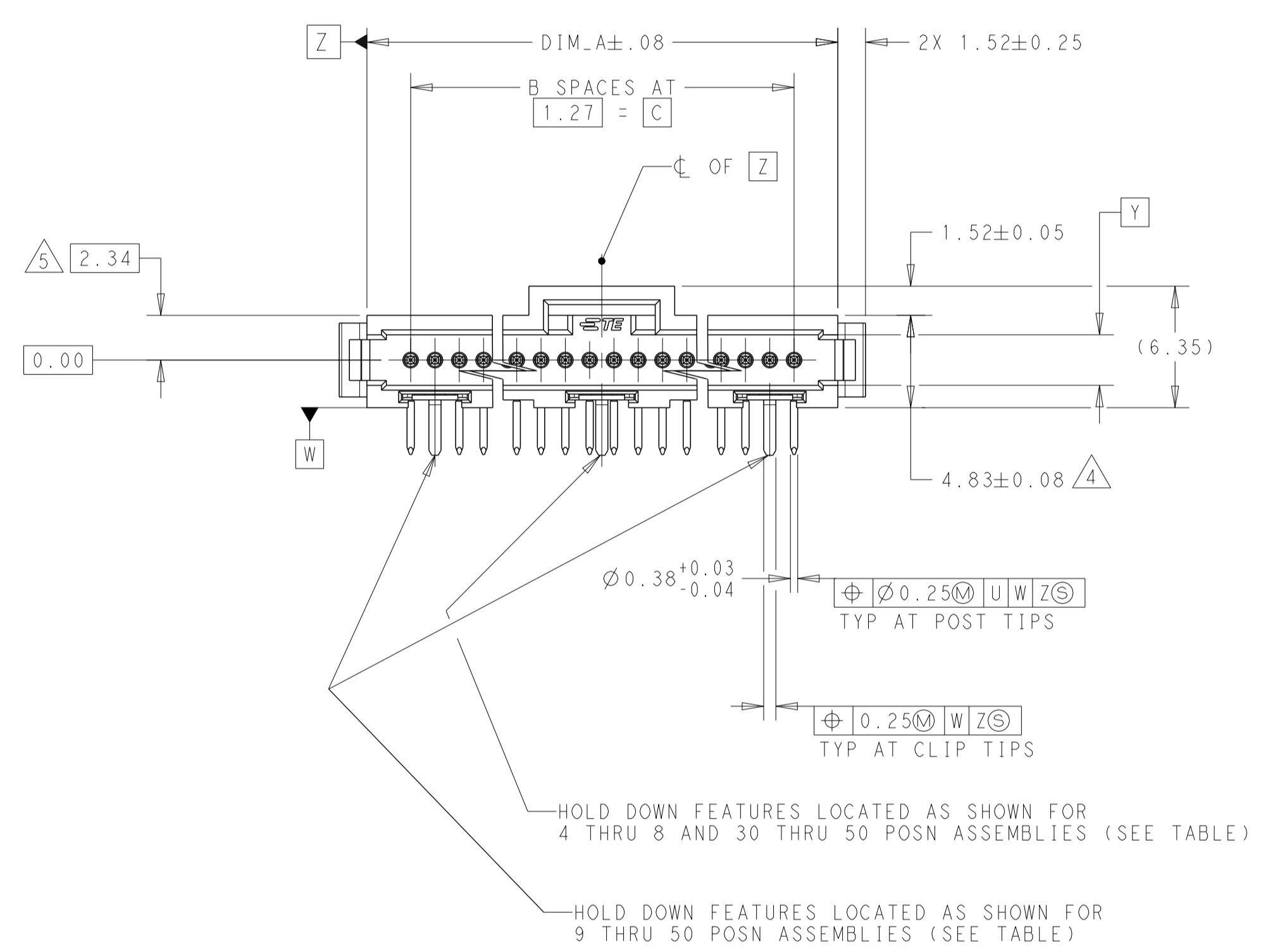
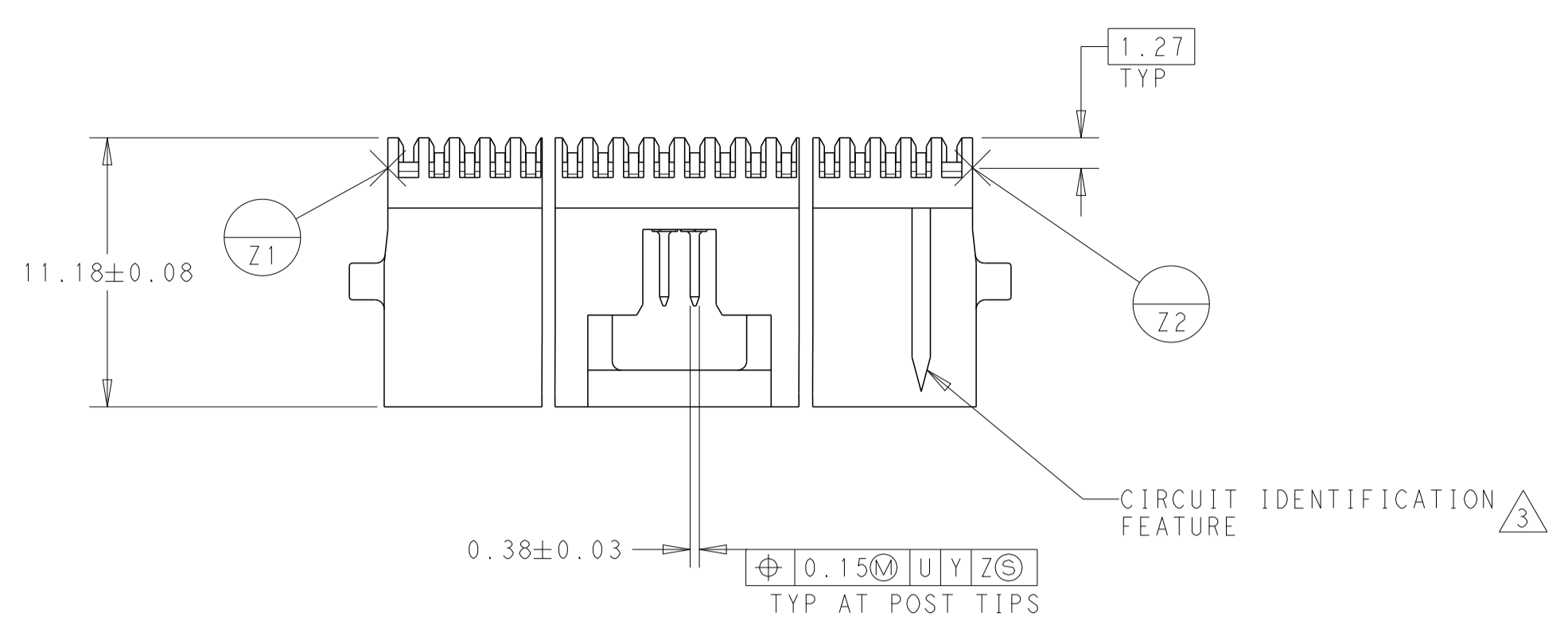
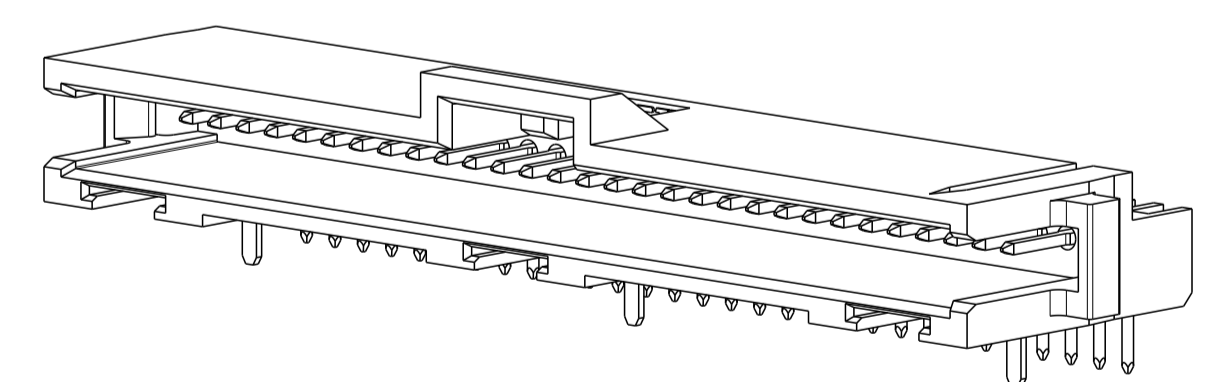
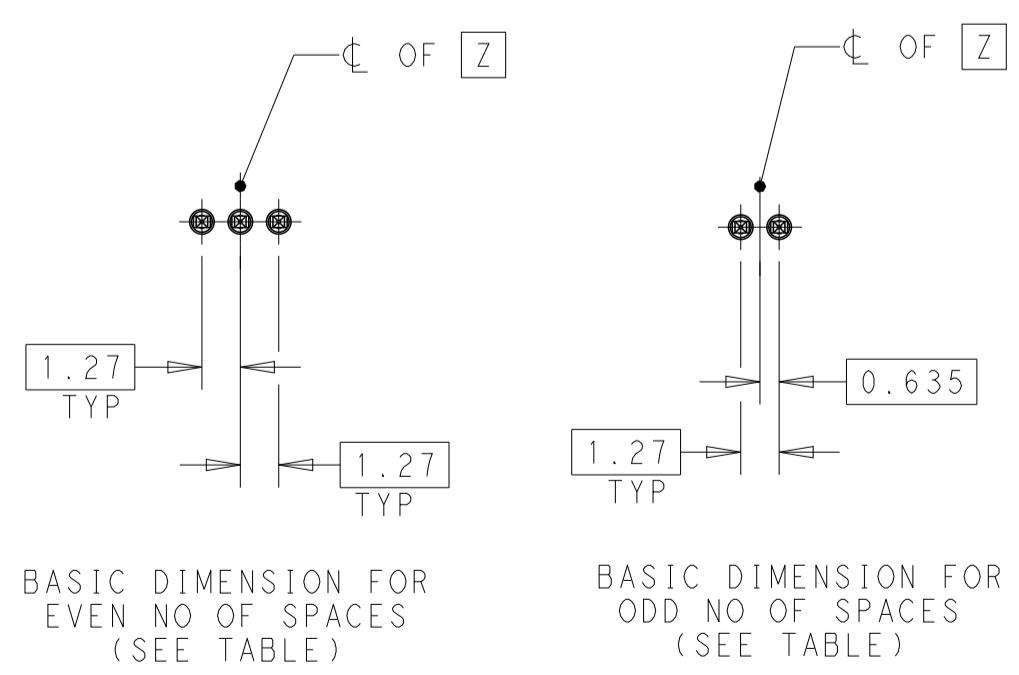
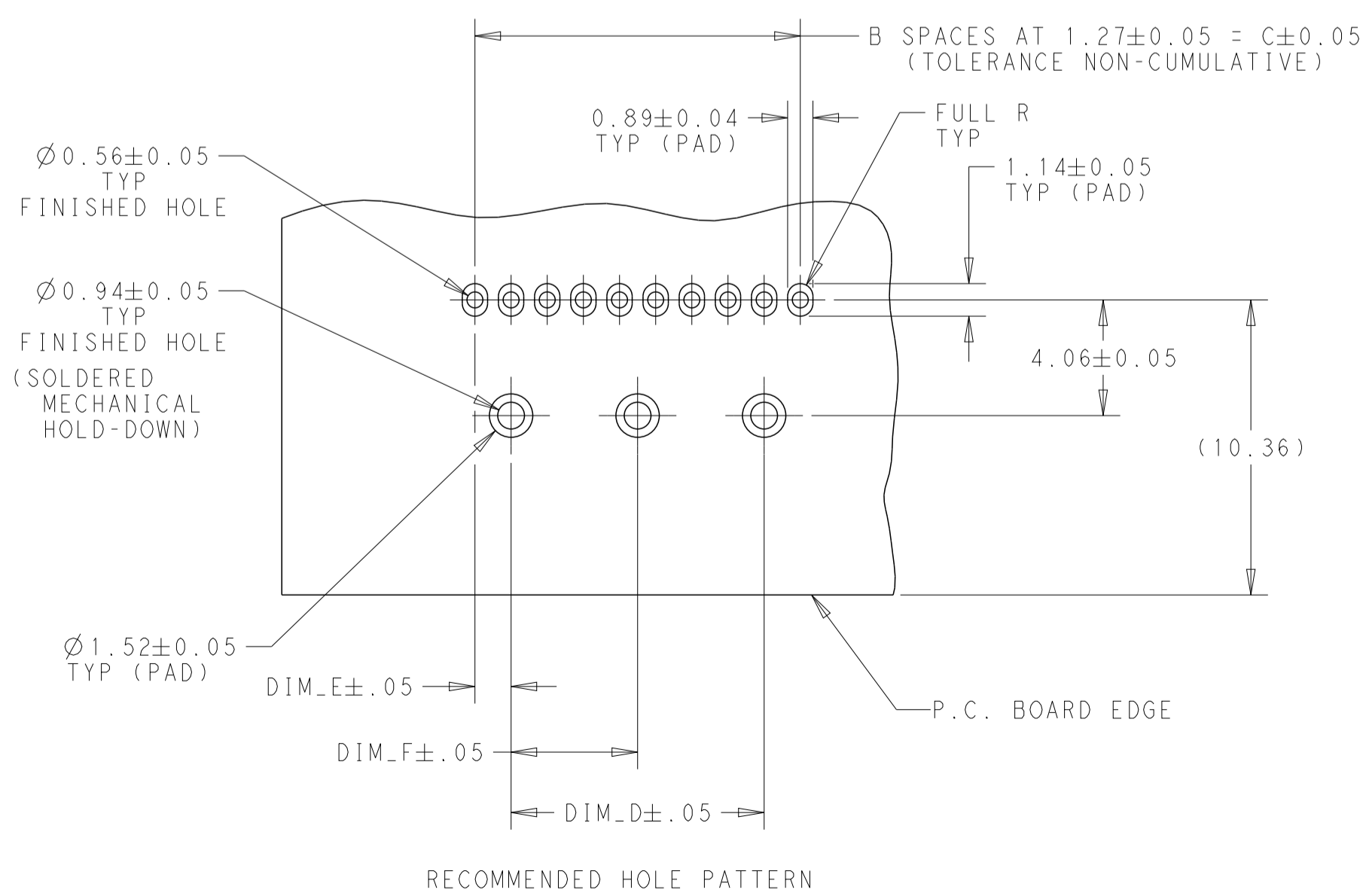


| REVISIONS |     |                                    |           |       |
|-----------|-----|------------------------------------|-----------|-------|
| P         | LTN | DESCRIPTION                        | DATE      | APVD  |
| V         |     | REDRAWN /REVISED PER ECO-17-001745 | 22NOV2017 | KS JO |
|           |     |                                    |           |       |
|           |     |                                    |           |       |



- 1. CONTACT AREAS PLATED WITH 0.76µm GOLD, SOLDER TAILS PLATED WITH 3.81µm TIN-LEAD, ALL OVER 1.27µm NICKEL
- 2. NOTE DELETED.
- 3. CIRCUIT IDENTIFICATION FEATURE OMITTED ON 4, 5, 6, & 7 POSITION HEADER ASSEMBLIES
- 4. DIMENSION APPLIES AT BASE OF SHROUD
- 5. THE NOTED DIMENSIONS APPLY AT THE INTERSECTION OF THE POST AND HOUSING
- 6. CONTACT AREAS PLATED WITH 0.76µm GOLD, SOLDER TAILS PLATED WITH 3.81µm TIN, ALL OVER 1.27µm NICKEL.
- 7. MATERIAL: HOUSING-LCP, COLOR-BLACK CONTACT-COPPER ALLOY
- 8. FINISH: 0.03µm MIN GOLD ON GOLD PLATED AREA, 3.81µm MATTE TIN-LEAD ON TIN PLATED AREA. UNDER PLATING TO BE 1.27µm NICKEL ON ENTIRE CONTACT
- 9. FINISH: 0.03µm MIN GOLD ON GOLD PLATED AREA, 3.81µm MATTE TIN ON TIN PLATED AREA. UNDER PLATING TO BE 1.27µm NICKEL ON ENTIRE CONTACT.
- 10. NOTE DELETED.
- 11. NOTE DELETED.
- 12. NOTE DELETED.
- 13. NOTE DELETED.



|  |  |                            |   |  |
|--|--|----------------------------|---|--|
| THIS DRAWING IS A CONTROLLED DOCUMENT. |  | OWN R. SHRISHAIL 22NOV2017 | TE Connectivity   |  |
| DIMENSIONS: mm                         |  | CHK J. OLSON 22NOV2017     |   |  |
| TOLERANCES UNLESS OTHERWISE SPECIFIED: |  | APVD J. OLSON 22NOV2017    | NAME HEADER ASSEMBLY, RIGHT ANGLE, SINGLE ROW, W/SIDE & END LATCHES AMPMODU SYSTEM 50 |  |
| 0 PLC ±.3                              |  | PRODUCT SPEC 108-1093      | SIZE CAGE CODE DRAWING NO RESTRICTED TO   |  |
| 1 PLC ±0.3                             |  | APPLICATION SPEC 114-25031 | A1 - C=104074   |  |
| 2 PLC ±.13                             |  | WEIGHT                     | SCALE 4:1 SHEET 1 OF 2 REV V  |  |
| 3 PLC ±.07                             |  | CUSTOMER DRAWING           |   |  |
| 4 PLC ±.05                             |  |                            |   |  |
| ANGLES ±0.5°                           |  |                            |   |  |
| FINISH SEE TABLE                       |  |                            |   |  |

THIS DRAWING IS UNPUBLISHED. RELEASED FOR PUBLICATION  
 © COPYRIGHT copyright dbt ALL RIGHTS RESERVED.

| REVISIONS |     |             |      |      |
|-----------|-----|-------------|------|------|
| P         | LTN | DESCRIPTION | DATE | APPV |
| -         |     | SEE SHEET 1 | -    | -    |
|           |     |             |      |      |
|           |     |             |      |      |

|       |       |       |       |       |                     |       |            |             |
|-------|-------|-------|-------|-------|---------------------|-------|------------|-------------|
|       | 15.87 | 1.27  | 31.75 | 34.29 | 27                  | 38.86 | 28         | 9-104074-0  |
|       | 29.84 | 1.27  | 59.69 | 62.23 | 49                  | 66.80 | 50         | 8-104074-9  |
|       | 26.67 | 1.27  | 53.34 | 55.88 | 44                  | 60.45 | 45         | 8-104074-8  |
|       | 23.49 | 1.27  | 46.99 | 49.53 | 39                  | 54.10 | 40         | 8-104074-7  |
|       | 20.95 | 1.27  | 41.91 | 44.45 | 35                  | 49.02 | 36         | 8-104074-6  |
|       | 15.24 | 1.27  | 30.48 | 33.02 | 26                  | 37.59 | 27         | 8-104074-5  |
|       | -     | 1.27  | 24.13 | 26.67 | 21                  | 31.24 | 22         | 8-104074-4  |
|       | -     | 1.27  | 17.78 | 20.32 | 16                  | 24.89 | 17         | 8-104074-3  |
|       | -     | 1.27  | 12.70 | 15.24 | 12                  | 19.81 | 13         | 8-104074-2  |
|       | -     | 1.27  | 11.43 | 13.97 | 11                  | 18.54 | 12         | 8-104074-1  |
|       | -     | 4.44  | -     | 8.89  | 7                   | 13.46 | 8          | 8-104074-0  |
|       | -     | 3.81  | -     | 7.62  | 6                   | 12.19 | 7          | 7-104074-9  |
|       | -     | 3.17  | -     | 6.35  | 5                   | 10.92 | 6          | 7-104074-8  |
|       | -     | 1.90  | -     | 3.81  | 3                   | 8.38  | 4          | 7-104074-7  |
|       | 17.14 | 1.27  | 34.29 | 36.83 | 29                  | 41.40 | 30         | 7-104074-6  |
|       | -     | 1.27  | 27.94 | 30.48 | 24                  | 35.05 | 25         | 7-104074-5  |
|       | -     | 1.27  | 21.59 | 24.13 | 19                  | 28.70 | 20         | 7-104074-4  |
|       | -     | 1.27  | 15.24 | 17.78 | 14                  | 22.35 | 15         | 7-104074-3  |
|       | -     | 2.54  | -     | 5.08  | 4                   | 9.65  | 5          | 7-104074-2  |
|       | -     | 1.27  | 8.89  | 11.43 | 9                   | 16.00 | 10         | 7-104074-1  |
|       | 15.87 | 1.27  | 31.75 | 34.29 | 27                  | 38.86 | 28         | 7-104074-0  |
|       | 29.84 | 1.27  | 59.69 | 62.23 | 49                  | 66.80 | 50         | 6-104074-9  |
|       | 26.67 | 1.27  | 53.34 | 55.88 | 44                  | 60.45 | 45         | 6-104074-8  |
|       | 23.49 | 1.27  | 46.99 | 49.53 | 39                  | 54.10 | 40         | 6-104074-7  |
|       | 20.95 | 1.27  | 41.91 | 44.45 | 35                  | 49.02 | 36         | 6-104074-6  |
|       | 15.24 | 1.27  | 30.48 | 33.02 | 26                  | 37.59 | 27         | 6-104074-5  |
|       | -     | 1.27  | 24.13 | 26.67 | 21                  | 31.24 | 22         | 6-104074-4  |
|       | -     | 1.27  | 17.78 | 20.32 | 16                  | 24.89 | 17         | 6-104074-3  |
|       | -     | 1.27  | 12.70 | 15.24 | 12                  | 19.81 | 13         | 6-104074-2  |
|       | -     | 1.27  | 11.43 | 13.97 | 11                  | 18.54 | 12         | 6-104074-1  |
|       | -     | 4.44  | -     | 8.89  | 7                   | 13.46 | 8          | 6-104074-0  |
|       | -     | 3.81  | -     | 7.62  | 6                   | 12.19 | 7          | 5-104074-9  |
|       | -     | 3.17  | -     | 6.35  | 5                   | 10.92 | 6          | 5-104074-8  |
|       | -     | 1.90  | -     | 3.81  | 3                   | 8.38  | 4          | 5-104074-7  |
|       | 17.14 | 1.27  | 34.29 | 36.83 | 29                  | 41.40 | 30         | 5-104074-6  |
|       | -     | 1.27  | 27.94 | 30.48 | 24                  | 35.05 | 25         | 5-104074-5  |
|       | -     | 1.27  | 21.59 | 24.13 | 19                  | 28.70 | 20         | 5-104074-4  |
|       | -     | 1.27  | 15.24 | 17.78 | 14                  | 22.35 | 15         | 5-104074-3  |
|       | -     | 2.54  | -     | 5.08  | 4                   | 9.65  | 5          | 5-104074-2  |
|       | -     | 1.27  | 8.89  | 11.43 | 9                   | 16.00 | 10         | 5-104074-1  |
| FINSH | DIM_F | DIM_E | DIM_D | DIM_C | <sup>B</sup> SPACES | DIM_A | NO OF POSN | PART NUMBER |

|       |       |       |       |       |                     |       |            |             |
|-------|-------|-------|-------|-------|---------------------|-------|------------|-------------|
|       | 15.87 | 1.27  | 31.75 | 34.29 | 27                  | 38.86 | 28         | 4-104074-0  |
|       | 29.84 | 1.27  | 59.69 | 62.23 | 49                  | 66.80 | 50         | 3-104074-9  |
|       | 26.67 | 1.27  | 53.34 | 55.88 | 44                  | 60.45 | 45         | 3-104074-8  |
|       | 23.49 | 1.27  | 46.99 | 49.53 | 39                  | 54.10 | 40         | 3-104074-7  |
|       | 20.95 | 1.27  | 41.91 | 44.45 | 35                  | 49.02 | 36         | 3-104074-6  |
|       | 15.24 | 1.27  | 30.48 | 33.02 | 26                  | 37.59 | 27         | 3-104074-5  |
|       | -     | 1.27  | 24.13 | 26.67 | 21                  | 31.24 | 22         | 3-104074-4  |
|       | -     | 1.27  | 17.78 | 20.32 | 16                  | 24.89 | 17         | 3-104074-3  |
|       | -     | 1.27  | 12.70 | 15.24 | 12                  | 19.81 | 13         | 3-104074-2  |
|       | -     | 1.27  | 11.43 | 13.97 | 11                  | 18.54 | 12         | 3-104074-1  |
|       | -     | 4.44  | -     | 8.89  | 7                   | 13.46 | 8          | 3-104074-0  |
|       | -     | 3.81  | -     | 7.62  | 6                   | 12.19 | 7          | 2-104074-9  |
|       | -     | 3.17  | -     | 6.35  | 5                   | 10.92 | 6          | 2-104074-8  |
|       | -     | 1.90  | -     | 3.81  | 3                   | 8.38  | 4          | 2-104074-7  |
|       | 17.14 | 1.27  | 34.29 | 36.83 | 29                  | 41.40 | 30         | 2-104074-6  |
|       | -     | 1.27  | 27.94 | 30.48 | 24                  | 35.05 | 25         | 2-104074-5  |
|       | -     | 1.27  | 21.59 | 24.13 | 19                  | 28.70 | 20         | 2-104074-4  |
|       | -     | 1.27  | 15.24 | 17.78 | 14                  | 22.35 | 15         | 2-104074-3  |
|       | -     | 2.54  | -     | 5.08  | 4                   | 9.65  | 5          | 2-104074-2  |
|       | -     | 1.27  | 8.89  | 11.43 | 9                   | 16.00 | 10         | 2-104074-1  |
|       | 15.87 | 1.27  | 31.75 | 34.29 | 27                  | 38.86 | 28         | 2-104074-0  |
|       | 29.84 | 1.27  | 59.69 | 62.23 | 49                  | 66.8  | 50         | 1-104074-9  |
|       | 26.67 | 1.27  | 53.34 | 55.88 | 44                  | 60.45 | 45         | 1-104074-8  |
|       | 23.49 | 1.27  | 46.99 | 49.53 | 39                  | 54.10 | 40         | 1-104074-7  |
|       | 20.95 | 1.27  | 41.91 | 44.45 | 35                  | 49.02 | 36         | 1-104074-6  |
|       | 15.24 | 1.27  | 30.48 | 33.02 | 26                  | 37.59 | 27         | 1-104074-5  |
|       | -     | 1.27  | 24.13 | 26.67 | 21                  | 31.24 | 22         | 1-104074-4  |
|       | -     | 1.27  | 17.78 | 20.32 | 16                  | 24.89 | 17         | 1-104074-3  |
|       | -     | 1.27  | 12.70 | 15.24 | 12                  | 19.81 | 13         | 1-104074-2  |
|       | -     | 1.27  | 11.43 | 13.97 | 11                  | 18.54 | 12         | 1-104074-1  |
|       | -     | 4.44  | -     | 8.89  | 7                   | 13.46 | 8          | 1-104074-0  |
|       | -     | 3.81  | -     | 7.62  | 6                   | 12.19 | 7          | 104074-9    |
|       | -     | 3.17  | -     | 6.35  | 5                   | 10.92 | 6          | 104074-8    |
|       | -     | 1.90  | -     | 3.81  | 3                   | 8.38  | 4          | 104074-7    |
|       | 17.14 | 1.27  | 34.29 | 36.83 | 29                  | 41.40 | 30         | 104074-6    |
|       | -     | 1.27  | 27.94 | 30.48 | 24                  | 35.05 | 25         | 104074-5    |
|       | -     | 1.27  | 21.59 | 24.13 | 19                  | 28.70 | 20         | 104074-4    |
|       | -     | 1.27  | 15.24 | 17.78 | 14                  | 22.35 | 15         | 104074-3    |
|       | -     | 2.54  | -     | 5.08  | 4                   | 9.65  | 5          | 104074-2    |
|       | -     | 1.27  | 8.89  | 11.43 | 9                   | 16.00 | 10         | 104074-1    |
| FINSH | DIM_F | DIM_E | DIM_D | DIM_C | <sup>B</sup> SPACES | DIM_A | NO OF POSN | PART NUMBER |

THIS DRAWING IS A CONTROLLED DOCUMENT. DWN R. SHRISHAI 22NOV2017  
 CHK J. OLSON 22NOV2017

DIMENSIONS: mm TOLERANCES UNLESS OTHERWISE SPECIFIED:  
 0 PLC ±  
 1 PLC ±0.3  
 2 PLC ±0.13  
 3 PLC ±  
 4 PLC ±  
 ANGLES ±0.5°  
 FINISH SEE TABLE

MATERIAL WEIGHT 114-25031

APVD J. OLSON 22NOV2017

PRODUCT SPEC 108-1093

APPLICATION SPEC

NAME HEADER ASSEMBLY, RIGHT ANGLE, SINGLE ROW, W/SIDE & END LATCHES, AMPMODU SYSTEM 50

SIZE A1 CAGE CODE - DRAWING NO. 104074 RESTRICTED TO

CUSTOMER DRAWING SCALE 4:1 SHEET 2 OF 2 REV V

Компания «Life Electronics» занимается поставками электронных компонентов импортного и отечественного производства от производителей и со складов крупных дистрибьюторов Европы, Америки и Азии.

С конца 2013 года компания активно расширяет линейку поставок компонентов по направлению коаксиальный кабель, кварцевые генераторы и конденсаторы (керамические, пленочные, электролитические), за счёт заключения дистрибьюторских договоров

Мы предлагаем:

- Конкурентоспособные цены и скидки постоянным клиентам.
- Специальные условия для постоянных клиентов.
- Подбор аналогов.
- Поставку компонентов в любых объемах, удовлетворяющих вашим потребностям.
- Приемлемые сроки поставки, возможна ускоренная поставка.
- Доставку товара в любую точку России и стран СНГ.
- Комплексную поставку.
- Работу по проектам и поставку образцов.
- Формирование склада под заказчика.
- Сертификаты соответствия на поставляемую продукцию (по желанию клиента).
- Тестирование поставляемой продукции.
- Поставку компонентов, требующих военную и космическую приемку.
- Входной контроль качества.
- Наличие сертификата ISO.

В составе нашей компании организован Конструкторский отдел, призванный помогать разработчикам, и инженерам.

Конструкторский отдел помогает осуществить:

- Регистрацию проекта у производителя компонентов.
- Техническую поддержку проекта.
- Защиту от снятия компонента с производства.
- Оценку стоимости проекта по компонентам.
- Изготовление тестовой платы монтаж и пусконаладочные работы.



Тел: +7 (812) 336 43 04 (многоканальный)

Email: [org@lifeelectronics.ru](mailto:org@lifeelectronics.ru)