

# MULTI-RATE GIGABIT ETHERNET & FIBER CHANNEL SFP TRANSCEIVERS WITH DIGITAL DIAGNOSTICS

**TRPUG1 CLXx000E2G**



## Product Description

The TRPUG1-E2G SFP series of multi-rate fiber optic transceivers with integrated digital diagnostics monitoring functionality provide a quick and reliable interface for 1000BASE-LX Gigabit Ethernet and 1.062GBd Fiber Channel applications. The transceivers are designed to support data rates ranging from 1.25Gb/s down to 125Mb/s. The diagnostic functions, alarm and warning features as described in the Multi-Source Agreement (MSA) document, SFF-8472 (Rev. 9.4), are provided via an I<sup>2</sup>C serial interface.

The transceivers use a 1310nm Fabry Perot laser and provides a minimum optical link budget of 11dB, corresponding to a minimum distance of 10km, assuming fiber loss of 0.45dB/km. All modules satisfy Class 1 Laser Safety requirements in accordance with the U.S. FDA/CDRH and international IEC-60825 standards.

The transceivers connect to standard 20-pad SFP connectors for hot plug capability. This allows the system designer to make configuration changes or maintenance by simply plugging in different types of transceivers without removing the power supply from the host system.

The transceivers have bail-type latches, which offer an easy and convenient way to release the modules. The latch is compliant with the SFP MSA. Latches are colored-coded to indicate the different wavelength.

The transmitter and receiver DATA interfaces are AC-coupled internally. LV-TTL Transmitter Disable control input and Loss of Signal (LOS) output interfaces are also provided.

The transceivers operate from a single +3.3V power supply over operating case temperature ranges of -40°C to +85°C (Industrial), -5°C to +70°C (Commercial) or -5°C to +85°C (Extended) . The housing is made of metal for EMI immunity.



## Features

- Compliant with IEEE 802.3ah Gigabit Ethernet 1000BASE-LX PMD Specifications
- Compliant with SFP MSA
- Lead Free Design & RoHS Compliant
- Digital Diagnostics through Serial Interface
- Internal Calibration for Digital Diagnostics
- Distance Options to Support 10km
- Eye Safe (Class 1 Laser Safety)
- Duplex LC Optical Interface
- Loss of Signal Output & TX Disable Input
- Wide Operating Case Temperature Option
- Hot-pluggable
- Single +3.3V Power Supply

## Absolute Maximum Ratings

Parameter		Symbol	Minimum	Maximum	Units
Storage Temperature Range		$T_{ST}$	- 40	+ 85	°C
Operating Case Temperature <sup>1</sup>	Commercial	$T_{OP}$	- 5	+ 70	°C
	Extended		- 5	+ 85	
	Industrial		- 40	+ 85	
Supply Voltage		$V_{CC}$	0	+ 3.47	V
Input Voltage		$V_{IN}$	0	$V_{CC}$	V

<sup>1</sup> Measured on top side of SFP module at the front center vent hole of the cage.

**Transmitter Performance Characteristics** (Over Operating Case Temperature.  $V_{CC} = 3.13$  to  $3.47V$ )

Parameter	Symbol	Minimum	Typical	Maximum	Units
Operating Data Rate	$B$	125	-	1250	Mb/s
Optical Output Power <sup>1,2</sup>	$P_O$	-9.5	-	-3.0	dBm
Center Wavelength	$\lambda_C$	1260	1310	1360	nm
Spectral Width (RMS)	$\Delta\lambda_{RMS}$	Refer to Table 59-4 and Figure 59-3 (from IEEE 802.3ah)			nm
Extinction Ratio	$ER$	9	-	-	dB
Deterministic Jitter	$D_J$	-	-	80	ps
Total Jitter	$T_J$	-	-	227	ps
Optical Rise/Fall Time (20% to 80%)	$t_r, t_f$	-	-	0.32	ns
Relative Intensity Noise	$RIN$	-	-	-120	dB/Hz
Transmitter Output Eye	<i>Compliant with Telcordia GR-253-CORE and ITU-T Recommendation G.957</i>				
<sup>1</sup> Measured average power coupled into single mode fiber (SMF).					
<sup>2</sup> For 50 $\mu$ m or 62.5 $\mu$ m multimode fiber (MMF) operation, the output power is 0.5dB less and is measured after a SMF offset-launch Mode-conditioning patch cord as specified in IEEE 802.3ah.					

**Receiver Performance Characteristics** (Over Operating Case Temperature.  $V_{CC} = 3.13$  to  $3.47V$ )

Parameter	Symbol	Minimum	Typical	Maximum	Units
Operating Data Rate	$B$	125	-	1250	Mb/s
Minimum Input Optical Power ( $10^{-12}$ BER) <sup>1</sup>	$P_{min}$	-	-	-20.0	dBm
Maximum Input Optical Power ( $10^{-12}$ BER) <sup>1</sup>	$P_{max}$	-3.0	-	-	dBm
LOS Thresholds	Increasing Light Input	$P_{los+}$	-	-20.0	dBm
	Decreasing Light Input	$P_{los-}$	-35.0	-	
LOS Timing Delay	Increasing Light Input	$t_{loss\_off}$	-	100	$\mu$ s
	Decreasing Light Input	$t_{loss\_on}$	-	100	
LOS Hysteresis	-	0.5	-	-	dB
Deterministic Jitter	$D_J$	-	-	170	ps
Total Jitter	$T_J$	-	-	266	ps
Wavelength of Operation	$\lambda$	1100	-	1600	nm
Optical Return Loss	$ORL$	12	-	-	dB
Electrical 3dB Upper Cutoff Frequency	-	-	-	1500	MHz
Stressed Receiver Sensitivity	<i>Compliant with IEEE 802.3ah standard</i>				
<sup>1</sup> Measured with 2 <sup>7</sup> -1 PRBS at 125Mb/s, 1062.5Mb/s & 1250Mb/s and 1310nm					

**Laser Safety:**

All transceivers are Class 1 Laser products per FDA/CDRH and IEC-60825 standards. They must be operated under specified operating conditions.

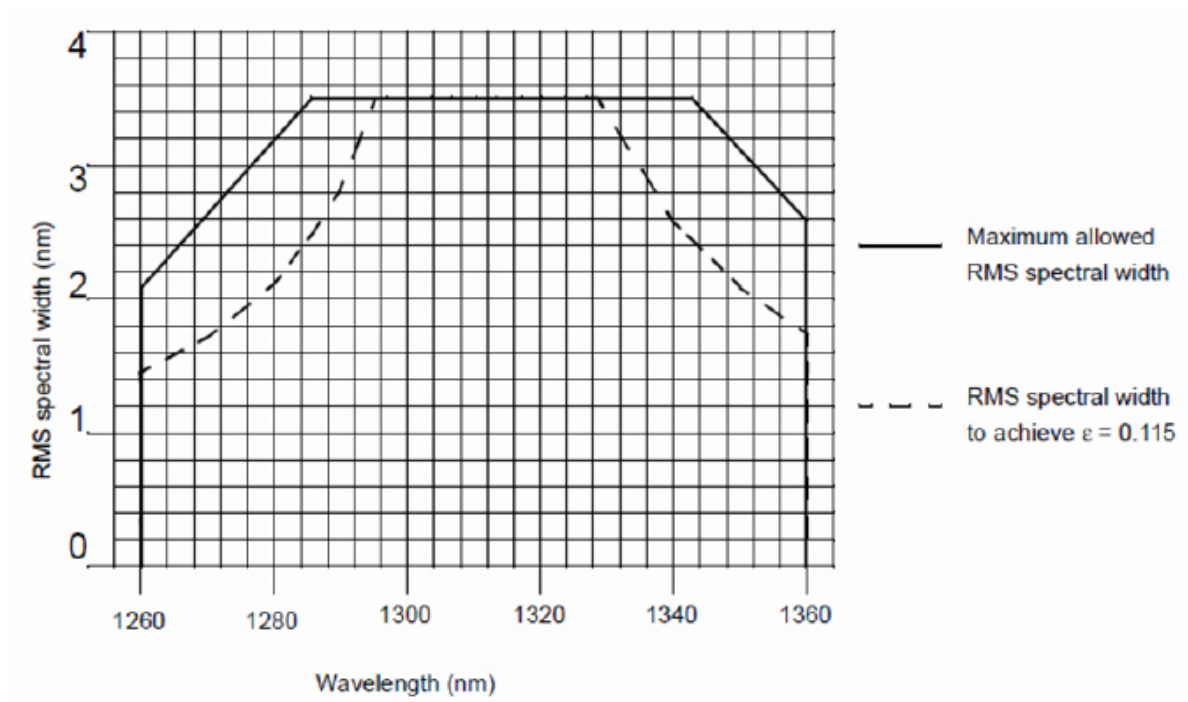
**Oplink Communications, Inc.**

This product complies with  
21 CFR 1040.10 and 1040.11  
**Meets Class I Laser Safety Requirements**

**Table 59-4—1000BASE-LX10 and 1000BASE-BX10 transmitter spectral limits**

Center wavelength	RMS spectral width (max) <sup>a</sup>	RMS spectral width to achieve $\epsilon \leq 0.115$ (informative)
nm	nm	nm
1260	2.09	1.43
1270	2.52	1.72
1280	3.13	2.14
1286	3.50	2.49
1290		2.80
1297		3.50
1329		2.59
1340		2.41
1343	3.06	2.09
1350	2.58	1.76
1480 to 1500	0.88	0.60

<sup>a</sup> These limits for the 1000BASE-LX10 transmitter are illustrated in Figure 59-3. Limits at intermediate wavelengths may be found by interpolation.



**Figure 59-3—1000BASE-LX10 Transmitter spectral limits**

**Transmitter Electrical Characteristics** (Over Operating Case Temperature.  $V_{CC} = 3.13$  to  $3.47V$ )

Parameter	Symbol	Minimum	Typical	Maximum	Units
Input Voltage Swing (TD+ & TD-) <sup>1</sup>	$V_{PP-DIFF}$	0.50	-	2.4	V
Input HIGH Voltage (TX Disable) <sup>2</sup>	$V_{IH}$	2.0	-	$V_{CC}$	V
Input LOW Voltage (TX Disable) <sup>2</sup>	$V_{IL}$	0	-	0.8	V
Output HIGH Voltage (TX Fault) <sup>3</sup>	$V_{OH}$	2.0	-	$V_{CC} + 0.3$	V
Output LOW Voltage (TX Fault) <sup>3</sup>	$V_{OL}$	0	-	0.8	V

<sup>1</sup> Differential peak-to-peak voltage.  
<sup>2</sup> There is an internal 4.7 to 10kΩ pull-up resistor to VccT.  
<sup>3</sup> Open collector compatible, 4.7 to 10kΩ pull-up resistor to Vcc (Host Supply Voltage).

**Receiver Electrical Characteristics** (Over Operating Case Temperature.  $V_{CC} = 3.13$  to  $3.47V$ )

Parameter	Symbol	Minimum	Typical	Maximum	Units
Output Voltage Swing (RD+ & RD-) <sup>1</sup>	$V_{PP-DIFF}$	0.6	-	2.0	V
Output HIGH Voltage (LOS) <sup>2</sup>	$V_{OH}$	2.0	-	$V_{CC} + 0.3$	V
Output LOW Voltage (LOS) <sup>2</sup>	$V_{OL}$	0	-	0.5	V

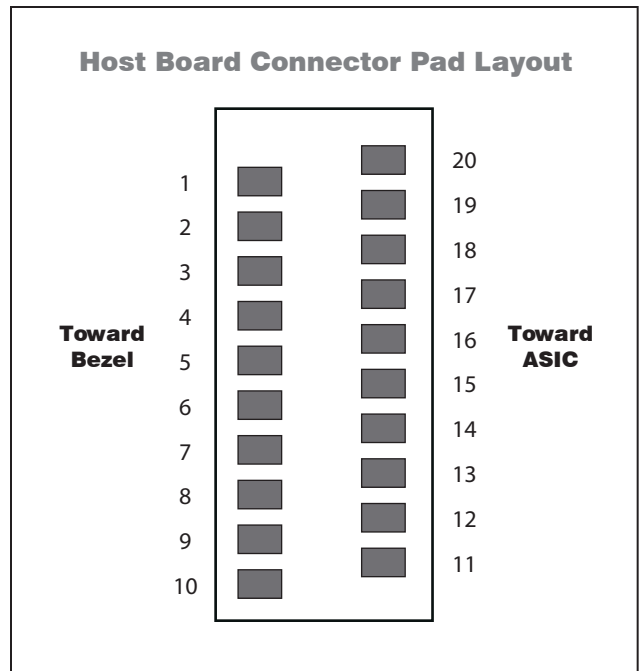
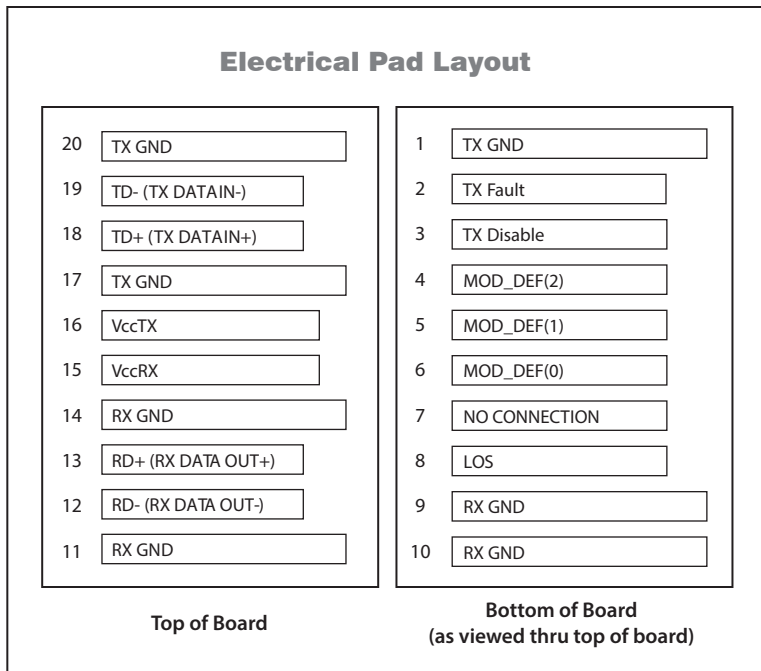
<sup>1</sup> Differential peak-to-peak voltage across external 100Ω load.  
<sup>2</sup> Open collector compatible, 4.7 to 10kΩ pull-up resistor to Vcc (Host Supply Voltage).

**Electrical Power Supply Characteristics** (Over Operating Case Temperature.  $V_{CC} = 3.13$  to  $3.47V$ )

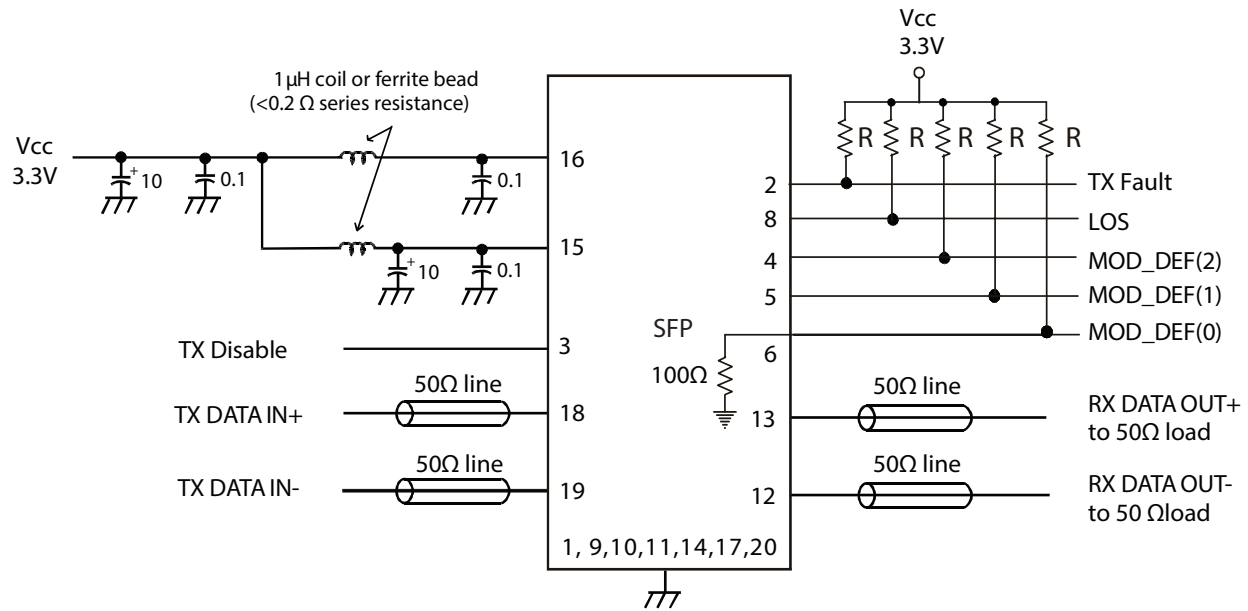
Parameter	Symbol	Minimum	Typical	Maximum	Units
Supply Voltage	$V_{CC}$	3.13	3.30	3.47	V
Supply Current	$I_{CC}$	-	190	245	mA

**Module Definition**

MOD_DEF(0) pin 6	MOD_DEF(1) pin 5	MOD_DEF(2) pin 4	Interpretation by Host
TTL LOW	SCL	SDA	Serial module definition protocol



### Example of SFP host board schematic



R: 4.7 to 10kΩ  
CAP Values in μF

### Application Notes

**Electrical interface:** All signal interfaces are compliant with the SFP MSA specification. The high speed DATA interface is differential AC-coupled internally with 0.1μF and can be directly connected to a 3.3V SERDES IC. All low speed control and sense output signals are open collector TTL compatible and should be pulled up with a 4.7 - 10kΩ resistor on the host board.

**Loss of Signal (LOS):** The Loss of Signal circuit monitors the level of the incoming optical signal and generates a logic HIGH when an insufficient photocurrent is produced.

**TX\_Fault:** The output indicates LOW when the transmitter is operating normally, and HIGH with a laser fault including laser end-of-life. TX Fault is an open collector/drain output that should be pulled up with a 4.7 - 10kΩ resistor on the host board. TX Fault is non-latching (automatically deasserts when fault goes away).

**TX\_Disable:** When the TX Disable pin is at logic HIGH, the transmitter optical output is disabled (less than -45dBm).

**Serial Identification and Monitoring:** The module definition of SFP is indicated by the three module definition

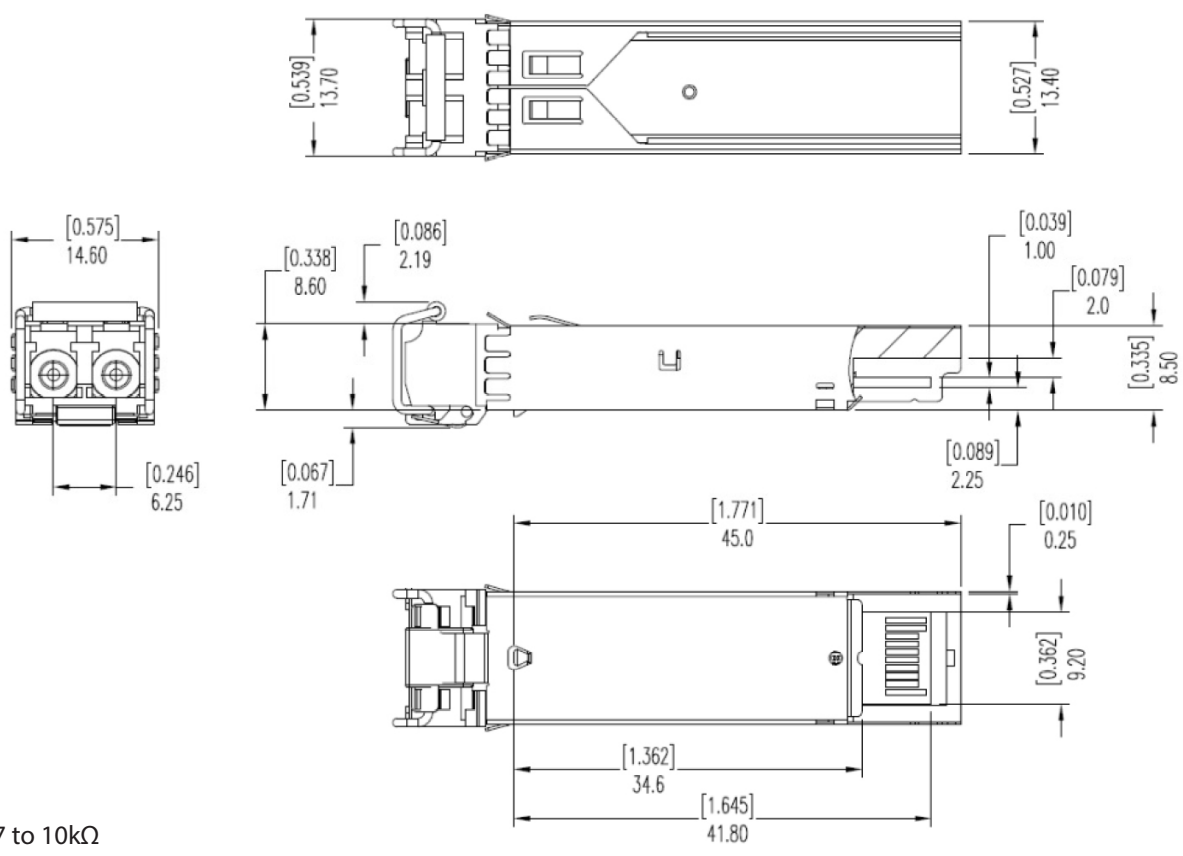
pins, MOD\_DEF(0), MOD\_DEF(1) and MOD\_DEF(2). Upon power up, MOD\_DEF(1:2) appear as NC (no connection), and MOD\_DEF(0) is TTL LOW. When the host system detects this condition, it activates the serial protocol (standard two-wire I<sup>2</sup>C serial interface) and generates the serial clock signal (SCL). The positive edge clocks data into the EEPROM segments of the SFP that are not write protected, and the negative edge clocks data from the SFP.

The serial data signal (SDA) is for serial data transfer. The host uses SDA in conjunction with SCL to mark the start and end of serial protocol activation. The supported monitoring functions are internal temperature, supply voltage, bias current, transmitter power, average receiver signal, all alarms and warnings and software monitoring of TX Fault/LOS. The device is internally calibrated.

The data transfer protocol and the details of the mandatory and vendor specific data structures are defined in the SFPMSA, and SFF-8472, Rev. 9.4.

**Power supply and grounding:** The power supply line should be well-filtered. All 0.1μF power supply bypass capacitors should be as close to the transceiver module as possible.

**Mechanical Package**



R: 4.7 to 10kΩ  
CAP Values in μF

**Ordering Information**

Oplink Part Number	Operating Temperature		Center Wavelength	Distance <sup>1</sup>	Latch Color
TRPUG1CLXC000E2G	- 5°C to +70°C	Commercial	1310nm	10km	Blue
TRPUG1CLXE000E2G	- 5°C to +85°C	Extended			
TRPUG1CLXI000E2G	- 40°C to +85°C	Industrial			

<sup>1</sup> The indicated transmission distance is for guidelines only, not guaranteed, The exact distance is dependent on the fiber loss, connector and splice loss, and allocated system penalty. Longer distances can be supported if the optical link power budget is satisfied.

# Mouser Electronics

Authorized Distributor

Click to View Pricing, Inventory, Delivery & Lifecycle Information:

Molex:

[TRPUG1CLXC000E2G](#)

Компания «Life Electronics» занимается поставками электронных компонентов импортного и отечественного производства от производителей и со складов крупных дистрибьюторов Европы, Америки и Азии.

С конца 2013 года компания активно расширяет линейку поставок компонентов по направлению коаксиальный кабель, кварцевые генераторы и конденсаторы (керамические, пленочные, электролитические), за счёт заключения дистрибьюторских договоров

Мы предлагаем:

- Конкуренспособные цены и скидки постоянным клиентам.
- Специальные условия для постоянных клиентов.
- Подбор аналогов.
- Поставку компонентов в любых объемах, удовлетворяющих вашим потребностям.
- Приемлемые сроки поставки, возможна ускоренная поставка.
- Доставку товара в любую точку России и стран СНГ.
- Комплексную поставку.
- Работу по проектам и поставку образцов.
- Формирование склада под заказчика.
- Сертификаты соответствия на поставляемую продукцию (по желанию клиента).
- Тестирование поставляемой продукции.
- Поставку компонентов, требующих военную и космическую приемку.
- Входной контроль качества.
- Наличие сертификата ISO.

В составе нашей компании организован Конструкторский отдел, призванный помогать разработчикам, и инженерам.

Конструкторский отдел помогает осуществить:

- Регистрацию проекта у производителя компонентов.
- Техническую поддержку проекта.
- Защиту от снятия компонента с производства.
- Оценку стоимости проекта по компонентам.
- Изготовление тестовой платы монтаж и пусконаладочные работы.



Тел: +7 (812) 336 43 04 (многоканальный)

Email: [org@lifeelectronics.ru](mailto:org@lifeelectronics.ru)