

THIS DRAWING IS UNPUBLISHED. RELEASED FOR PUBLICATION AUG ,2006.
 © COPYRIGHT BY TYCO ELECTRONICS CORPORATION. ALL RIGHTS RESERVED.

LOC	DIST	REVISIONS					
DW		P	LTR	DESCRIPTION	DATE	DWN	APVD
		G		REVISED PER ECR-16-003830	14MAR16	FL	SY

WEIGHT(g)	PCI-E COMPLIANCE	HOUSING MATERIAL	DIM. L	DIM. E	DIM. D	DIM. C	DIM. B	DIM. A	POS.	HOUSING COLOR	MIN. GOLD THICKNESS	PART NUMBER	
8.7	GEN II & GEN III	PA9T	2.30	71.35	70	73.15	89	71.65	164	BLACK	15u"	4-1734774-8	
5.45										WHITE	G/F	4-1734774-7	
3.85				BLACK	15u"	4-1734774-6							
2.55				WHITE	G/F	4-1734774-5							
8.7				BLACK	15u"	4-1734774-4							
5.45				WHITE	G/F	4-1734774-3							
3.85			BLACK	15u"	4-1734774-2								
2.55			WHITE	G/F	4-1734774-1								
8.7			3.10	PA9T	71.35	70	73.15	89	71.65	164	BLACK	15u"	4-1734774-0
5.45											WHITE	G/F	3-1734774-9
3.85					BLACK	15u"	3-1734774-8						
2.55					WHITE	G/F	3-1734774-7						
8.7	BLACK	15u"			3-1734774-6								
5.45	WHITE	G/F			3-1734774-5								
3.85	BLACK	15u"	3-1734774-4										
2.55	WHITE	G/F	3-1734774-3										
8.7	3.10	PA9T	71.35	70	73.15	89	71.65	164	BLACK	15u"	3-1734774-2		
5.45									WHITE	G/F	3-1734774-1		
3.85			BLACK	15u"	3-1734774-0								
2.55			WHITE	G/F	2-1734774-9								
8.7			BLACK	15u"	2-1734774-8								
5.45			WHITE	G/F	2-1734774-7								
3.85	BLACK	15u"	2-1734774-6										
2.55	WHITE	G/F	2-1734774-5										
8.7	3.10	PA9T	71.35	70	73.15	89	71.65	164	BLACK	15u"	2-1734774-4		
5.45									WHITE	G/F	2-1734774-3		
3.85			BLACK	15u"	2-1734774-2								
2.55			WHITE	G/F	2-1734774-1								
8.7			BLACK	15u"	2-1734774-0								
5.45			WHITE	G/F	1-1734774-9								
3.85	BLACK	15u"	1-1734774-8										
2.55	WHITE	G/F	1-1734774-7										
8.7	3.10	PA9T	71.35	70	73.15	89	71.65	164	BLACK	15u"	1-1734774-6		
5.45									WHITE	G/F	1-1734774-5		
3.85			BLACK	15u"	1-1734774-4								
2.55			WHITE	G/F	1-1734774-3								
8.7			BLACK	15u"	1-1734774-2								
5.45			WHITE	G/F	1-1734774-1								
3.85	BLACK	15u"	1-1734774-0										
2.55	WHITE	G/F	1-1734774-9										
8.7	3.10	PA9T	71.35	70	73.15	89	71.65	164	BLACK	15u"	1-1734774-8		
5.45									WHITE	G/F	1-1734774-7		
3.85			BLACK	15u"	1-1734774-6								
2.55			WHITE	G/F	1-1734774-5								
8.7			BLACK	15u"	1-1734774-4								
5.45			WHITE	G/F	1-1734774-3								
3.85	BLACK	15u"	1-1734774-2										
2.55	WHITE	G/F	1-1734774-1										

WEIGHT(g)	PCI-E COMPLIANCE	HOUSING MATERIAL	DIM. L	DIM. E	DIM. D	DIM. C	DIM. B	DIM. A	POS.	HOUSING COLOR	MIN. GOLD THICKNESS	PART NUMBER	
8.8	GEN II	PA46	2.30	71.35	70	73.15	89	71.65	164	BLACK	15u"	9-1734774-7	
5.5										WHITE	G/F	9-1734774-6	
3.9				BLACK	15u"	9-1734774-5							
2.55				WHITE	G/F	9-1734774-4							
8.8				BLACK	15u"	9-1734774-3							
5.5				WHITE	G/F	9-1734774-2							
3.9			BLACK	15u"	9-1734774-1								
2.55			WHITE	G/F	9-1734774-0								
8.8			3.10	PA46	71.35	70	73.15	89	71.65	164	BLACK	15u"	8-1734774-9
5.5											WHITE	G/F	8-1734774-8
3.9					BLACK	15u"	8-1734774-7						
2.55					WHITE	G/F	8-1734774-6						
8.8	BLACK	15u"			8-1734774-5								
5.5	WHITE	G/F			8-1734774-4								
3.9	BLACK	15u"	8-1734774-3										
2.55	WHITE	G/F	8-1734774-2										
8.8	3.10	PA46	71.35	70	73.15	89	71.65	164	BLACK	15u"	8-1734774-5		
5.5									WHITE	G/F	8-1734774-4		
3.9			BLACK	15u"	8-1734774-3								
2.55			WHITE	G/F	8-1734774-2								
8.8			BLACK	15u"	8-1734774-1								
5.5			WHITE	G/F	8-1734774-0								
3.9	BLACK	15u"	8-1734774-9										
2.55	WHITE	G/F	8-1734774-8										
8.8	3.10	PA46	71.35	70	73.15	89	71.65	164	BLACK	15u"	8-1734774-7		
5.5									WHITE	G/F	8-1734774-6		
3.9			BLACK	15u"	8-1734774-5								
2.55			WHITE	G/F	8-1734774-4								
8.8			BLACK	15u"	8-1734774-3								
5.5			WHITE	G/F	8-1734774-2								
3.9	BLACK	15u"	8-1734774-1										
2.55	WHITE	G/F	8-1734774-0										
8.8	3.10	PA46	71.35	70	73.15	89	71.65	164	BLACK	15u"	7-1734774-3		
5.5									WHITE	G/F	7-1734774-2		
3.9			BLACK	15u"	7-1734774-1								
2.55			WHITE	G/F	7-1734774-0								
8.8			BLACK	15u"	7-1734774-9								
5.5			WHITE	G/F	7-1734774-8								
3.9	BLACK	15u"	7-1734774-7										
2.55	WHITE	G/F	7-1734774-6										
8.8	3.10	PA46	71.35	70	73.15	89	71.65	164	BLACK	15u"	7-1734774-7		
5.5									WHITE	G/F	7-1734774-6		
3.9			BLACK	15u"	7-1734774-5								
2.55			WHITE	G/F	7-1734774-4								
8.8			BLACK	15u"	7-1734774-3								
5.5			WHITE	G/F	7-1734774-2								
3.9	BLACK	15u"	7-1734774-1										
2.55	WHITE	G/F	7-1734774-0										
8.8	3.10	PA46	71.35	70	73.15	89	71.65	164	BLACK	15u"	7-1734774-3		
5.5									WHITE	G/F	7-1734774-2		
3.9			BLACK	15u"	7-1734774-1								
2.55			WHITE	G/F	7-1734774-0								
8.8			BLACK	15u"	7-1734774-9								
5.5			WHITE	G/F	7-1734774-8								
3.9	BLACK	15u"	7-1734774-7										
2.55	WHITE	G/F	7-1734774-6										
8.8	3.10	PA46	71.35	70	73.15	89	71.65	164	BLACK	15u"	6-1734774-5		
5.5									WHITE	G/F	6-1734774-4		
3.9			BLACK	15u"	6-1734774-3								
2.55			WHITE	G/F	6-1734774-2								
8.8			BLACK	15u"	6-1734774-1								
5.5			WHITE	G/F	6-1734774-0								
3.9	BLACK	15u"	6-1734774-9										
2.55	WHITE	G/F	6-1734774-8										
8.8	3.10	PA46	71.35	70	73.15	89	71.65	164	BLACK	15u"	6-1734774-7		
5.5									WHITE	G/F	6-1734774-6		
3.9			BLACK	15u"	6-1734774-5								
2.55			WHITE	G/F	6-1734774-4								
8.8			BLACK	15u"	6-1734774-3								
5.5			WHITE	G/F	6-1734774-2								
3.9	BLACK	15u"	6-1734774-1										
2.55	WHITE	G/F	6-1734774-0										
8.8	3.10	PA46	71.35	70	73.15	89	71.65	164	BLACK	15u"	6-1734774-5		
5.5									WHITE	G/F	6-1734774-4		
3.9			BLACK	15u"	6-1734774-3								
2.55			WHITE	G/F	6-1734774-2								
8.8			BLACK	15u"	6-1734774-1								
5.5			WHITE	G/F	6-1734774-0								
3.9	BLACK	15u"	6-1734774-9										
2.55	WHITE	G/F	6-1734774-8										
8.8	3.10	PA46	71.35	70	73.15	89	71.65	164	BLACK	15u"	6-1734774-7		
5.5									WHITE	G/F	6-1734774-6		
3.9			BLACK	15u"	6-1734774-5								
2.55			WHITE	G/F	6-1734774-4								
8.8			BLACK	15u"	6-1734774-3								
5.5			WHITE	G/F	6-1734774-2								
3.9	BLACK	15u"	6-1734774-1										
2.55	WHITE	G/F	6-1734774-0										

THIS DRAWING IS A CONTROLLED DOCUMENT.		DWN	B. HSING	15JUL2009
DIMENSIONS: MM		CHK	S. CHIEN	15JUL2009
TOLERANCES UNLESS OTHERWISE SPECIFIED:		APVD	W. KODAMA	15JUL2009
0 PLC ± -		NAME		
1 PLC ± 0.3		PCI EXPRESS CARD EDGE CONNECTOR		
2 PLC ± 0.2		VERTICAL, DIP TYPE, 3GIO		
3 PLC ± 0.15		SIZE		
4 PLC ± -		CAGE CODE		
ANGLES ± 3'		DRAWING NO		
MATERIAL		RESTRICTED TO		
FINISH		A3 00779 C=1734774		
CUSTOMER DRAWING		SCALE		
		SHEET 1 OF 5		
		REV G		

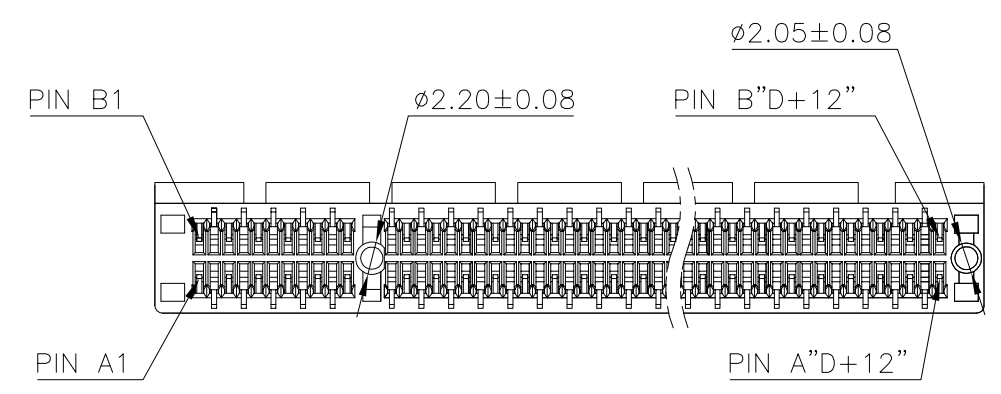
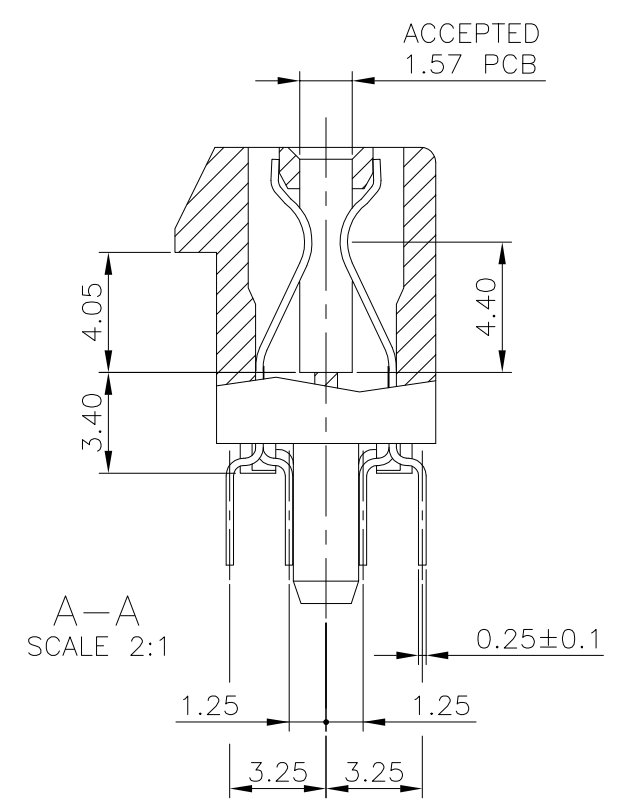
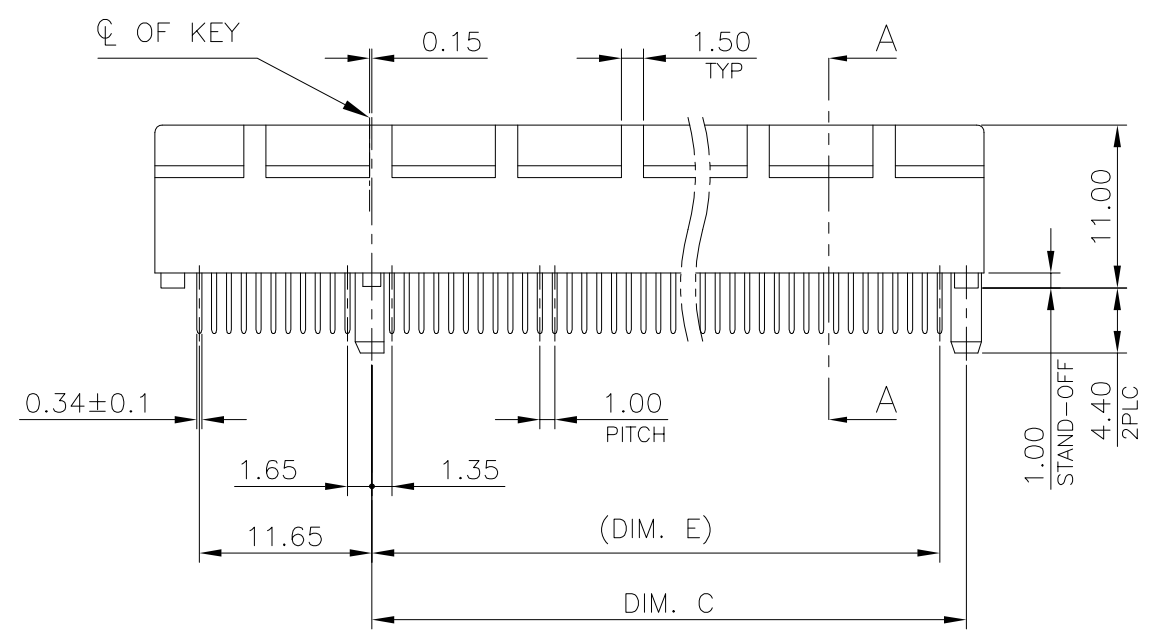
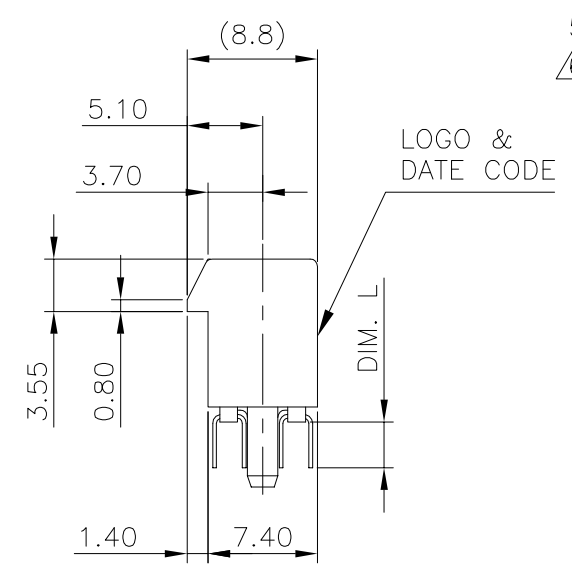
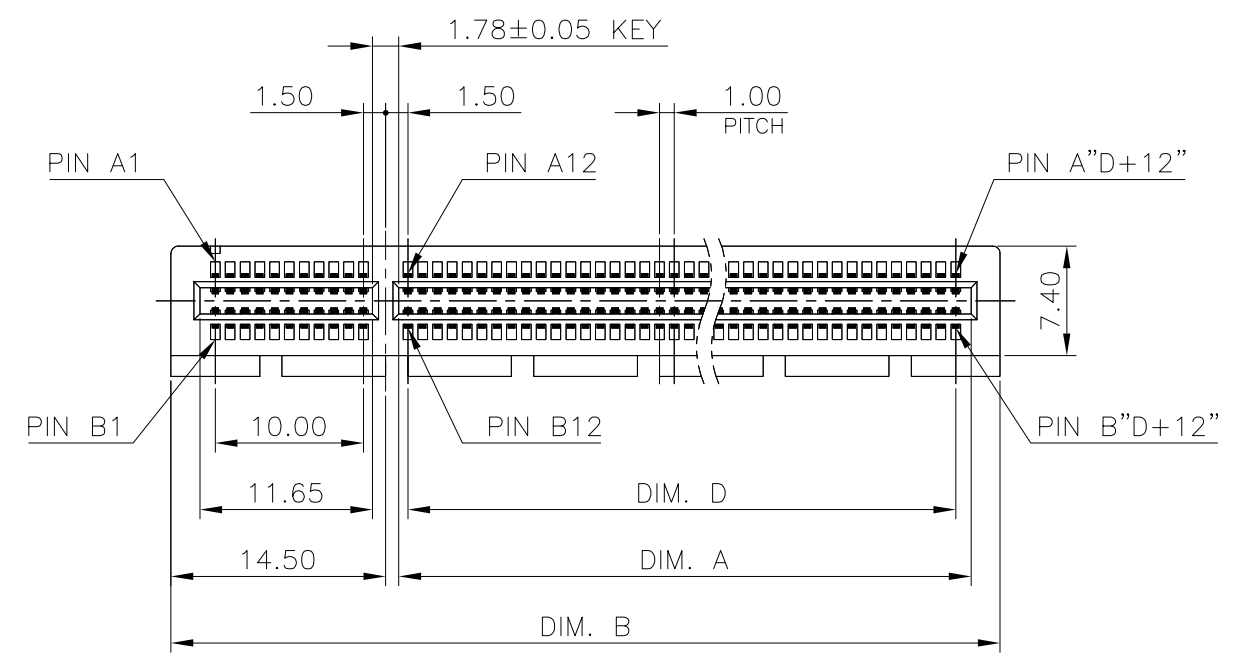
THIS DRAWING IS UNPUBLISHED. RELEASED FOR PUBLICATION AUG ,2006.
 © COPYRIGHT BY TYCO ELECTRONICS CORPORATION. ALL RIGHTS RESERVED.

LOC	DIST	REVISIONS					
		P	LTR	DESCRIPTION	DATE	DWN	APVD
DW		-	-	SEE SHEET 1	-	-	-

- NOTES:
- MATERIAL:
 - HOUSING: 1.PA46 WITH 40% G.F, UL94 V-0, COLOR: SEE TABLE.
2.PA9T WITH 30% GF, UL94 V-0, COLOR: SEE TABLE.
 - CONTACT: PHOSPHOR BRONZE
 - FINISH:

CONTACT: (SEE TABLE) GOLD PLATING ON CONTACT AREA.
2.54um [100u"] MIN. MATTE-TIN PALTING ON SOLDER TAIL AREA.
1.27um [50u"] MIN. NICKEL UNDERPLATING OVERALL.
 - CONNECTOR HAS MET THE REQUIREMENTS PER PCI EXPRESS GEN 2 TECHNICAL DOCUMENT.
 - WEIGHT:

36 POS.: 2.55 GRAMS; 64 POS.: 3.90 GRAMS
98 POS.: 5.50 GRAMS; 164 POS.: 8.80 GRAMS
 - WAVE SOLDER CAPABLE TO 265°C PER TEST SPEC. 109-202 CONDITION B.
 ⚠️ REFLOW SOLDER CAPABLE TO 260°C PER TEST SPEC. 109-201 CONDITION B.
 (REFLOW SOLDERING PLEASE USE PN : 1734774-1 TO 4-1734774-8)



THIS DRAWING IS A CONTROLLED DOCUMENT.		DWN	TE Connectivity		
DIMENSIONS: MM		CHK	NAME		
TOLERANCES UNLESS OTHERWISE SPECIFIED:		APVD	PCI EXPRESS CARD EDGE CONNECTOR VERTICAL, DIP TYPE, 3GIO		
0 PLC ± -		PRODUCT SPEC	SIZE	CAGE CODE	DRAWING NO
1 PLC ± 0.3		APPLICATION SPEC	A3	00779	1734774
2 PLC ± 0.2		WEIGHT	RESTRICTED TO		
3 PLC ± 0.15		SEE NOTE 4	-		
4 PLC ± -		CUSTOMER DRAWING	SCALE	SHEET	REV
ANGLES ± 3'			-	2 OF 5	G
MATERIAL	FINISH				
SEE NOTE	SEE NOTE				

4

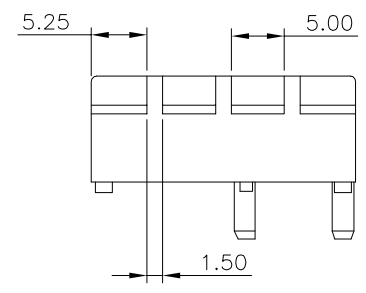
3

2

1

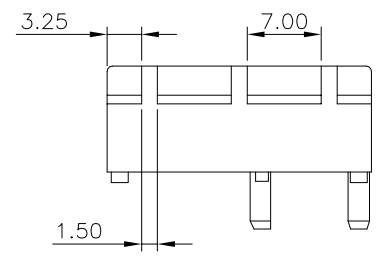
THIS DRAWING IS UNPUBLISHED. RELEASED FOR PUBLICATION AUG ,2006.
 © COPYRIGHT BY TYCO ELECTRONICS CORPORATION. ALL RIGHTS RESERVED.

LOC	DIST	REVISIONS			
P	LTR	DESCRIPTION	DATE	DWN	APVD
		SEE SHEET 1.			

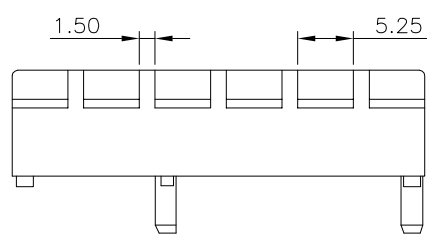


PN X-1 TO 4-X-8
(PA9T TYPE)

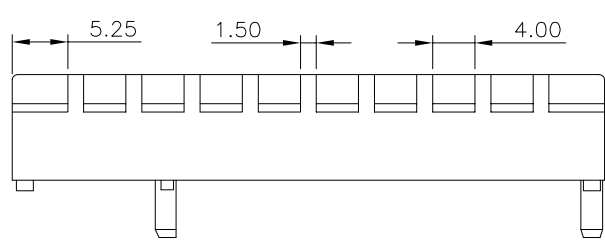
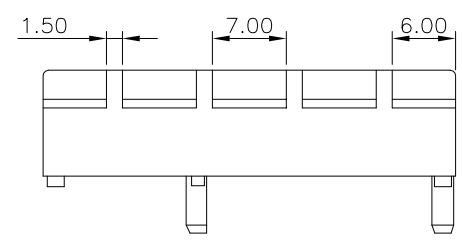
36 POS.



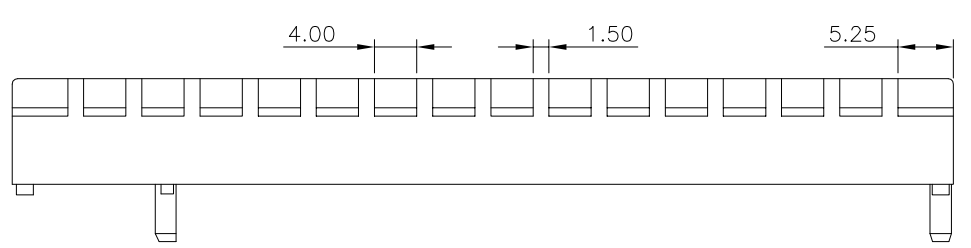
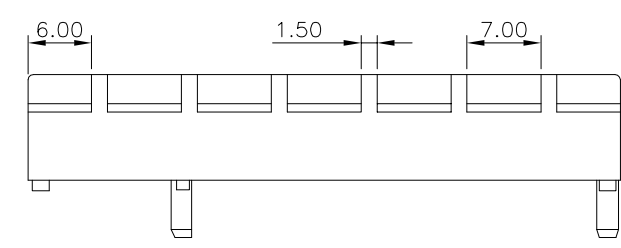
PN 5-X-0 TO 9-X-7
(PA46 TYPE)



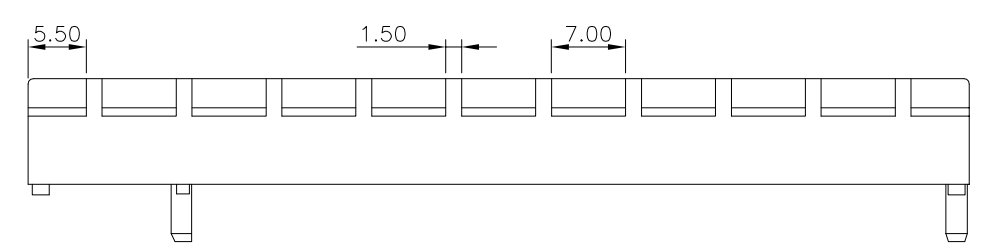
64 POS.



98 POS.



164 POS.



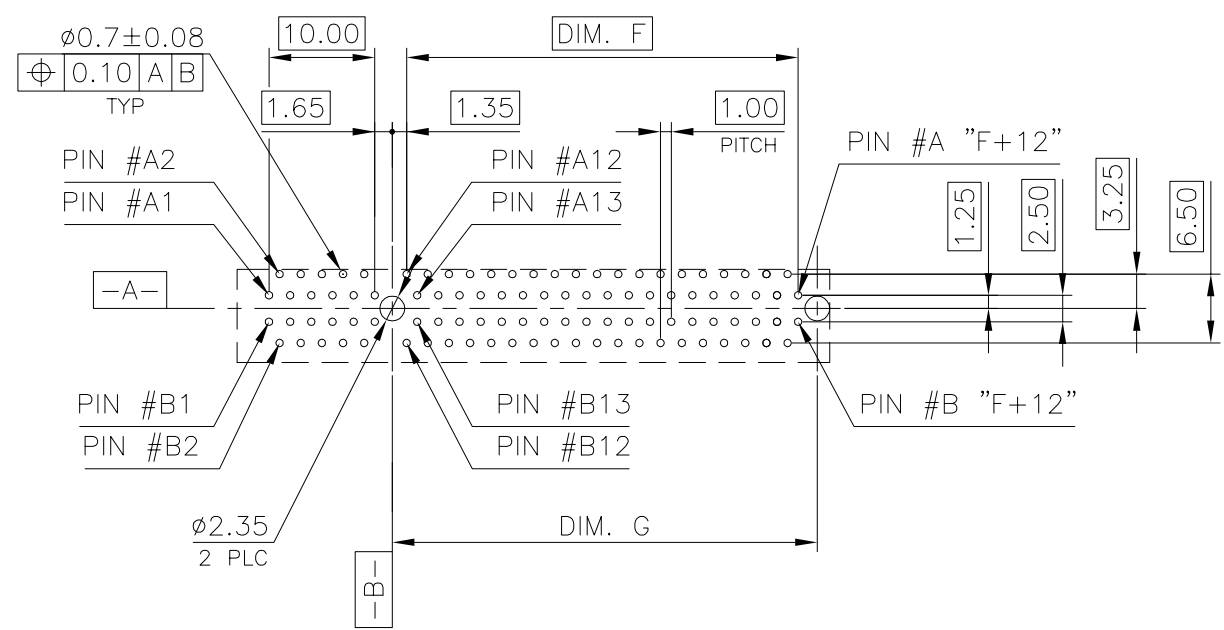
THIS DRAWING IS A CONTROLLED DOCUMENT.		DWN			
DIMENSIONS: MM		CHK	NAME		
		APVD	PCI EXPRESS CARD EDGE CONNECTOR VERTICAL, DIP TYPE, 3GIO		
TOLERANCES UNLESS OTHERWISE SPECIFIED:		PRODUCT SPEC	SIZE	CAGE CODE	DRAWING NO
0 PLC ± -		APPLICATION SPEC	A3	00779	C=1734774
1 PLC ± 0.25		WEIGHT	RESTRICTED TO		
2 PLC ± 0.25		CUSTOMER DRAWING	SCALE	SHEET	REV
3 PLC ± 0.25				3 OF 5	G
4 PLC ± -					
ANGLES ± -					
FINISH					

THIS DRAWING IS UNPUBLISHED. RELEASED FOR PUBLICATION AUG ,2006.
 © COPYRIGHT BY TYCO ELECTRONICS CORPORATION. ALL RIGHTS RESERVED.

LOC	DIST	REVISIONS			
P	LTR	DESCRIPTION	DATE	DWN	APVD
DW	/	SEE SHEET 1.			

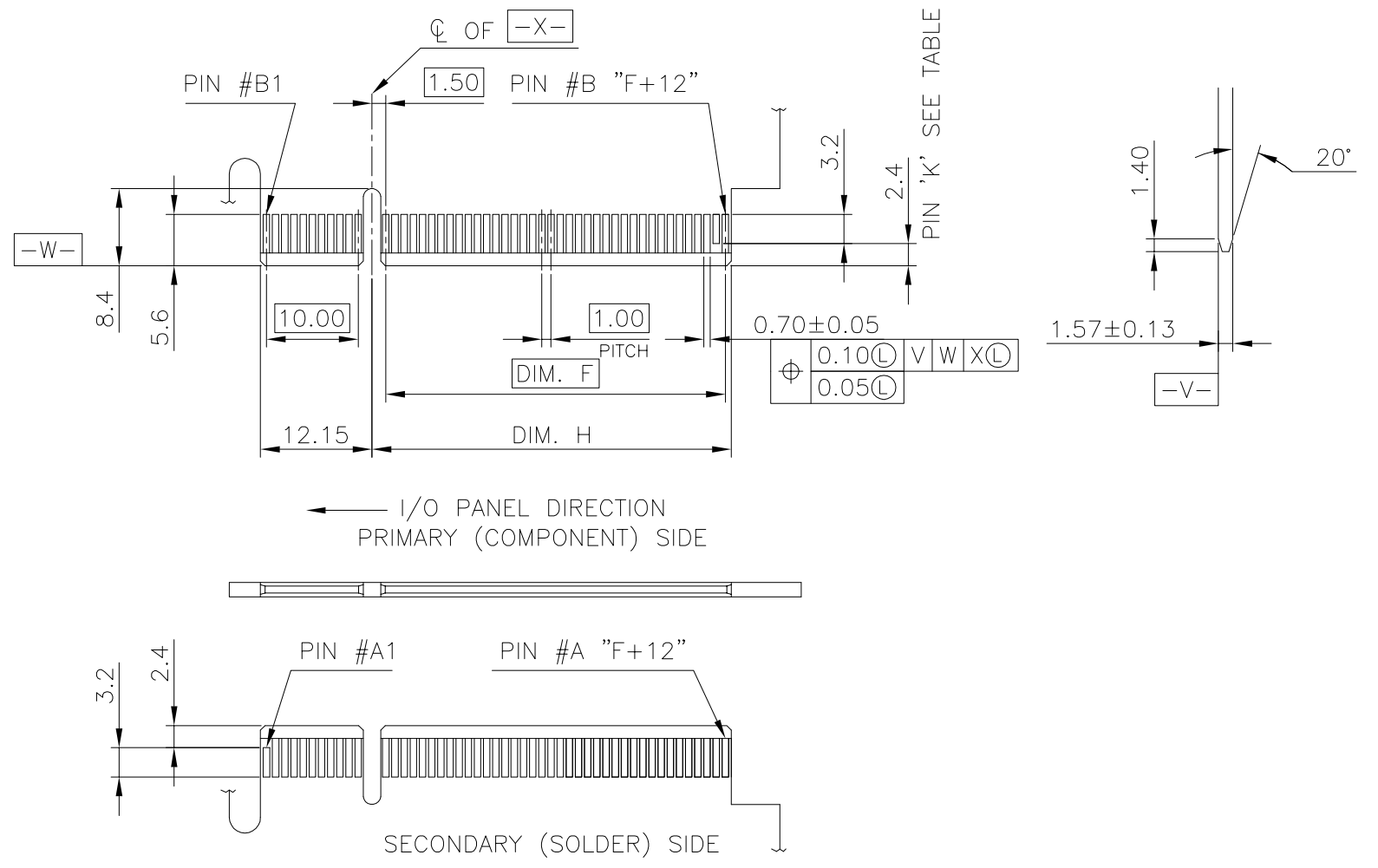
ADD-IN CARD EDGE-FINGER DIMENSIONS

NOTES:
 CHAMFER EDGE MUST BE FREE OF CUTTING BURRS



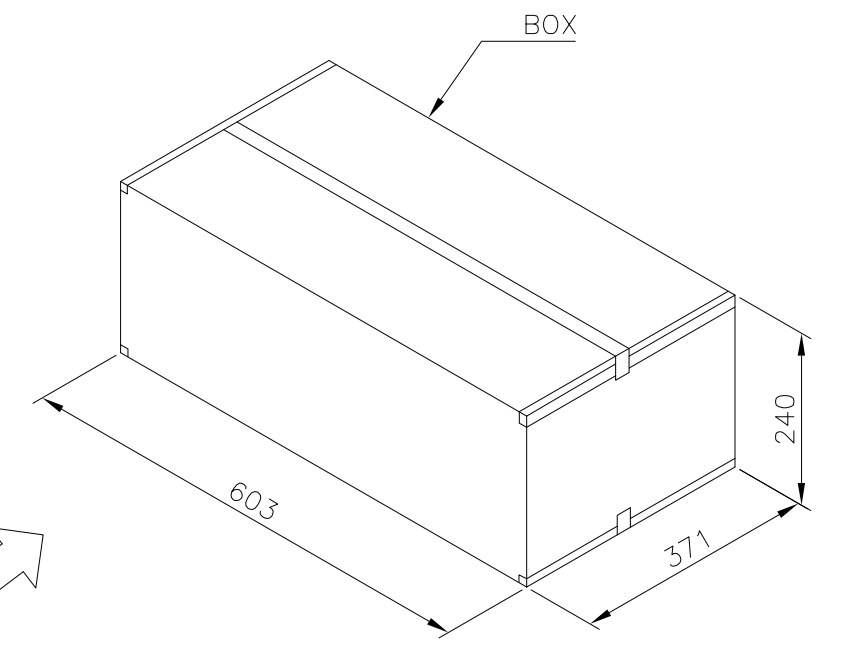
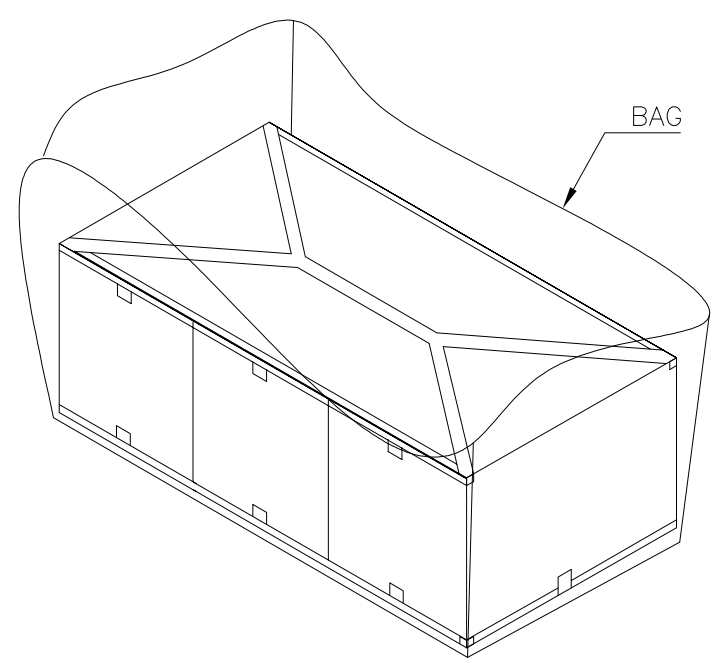
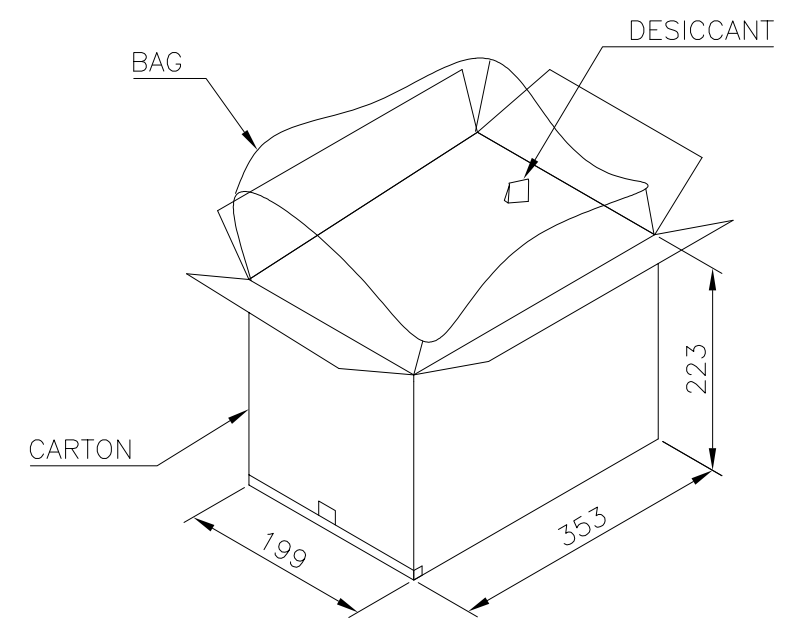
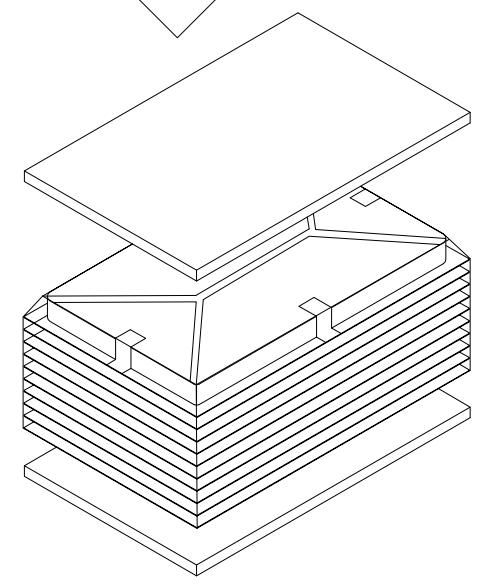
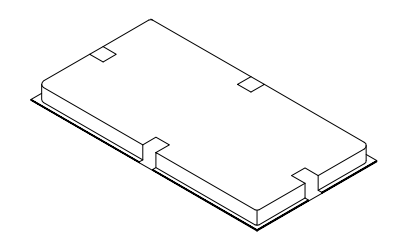
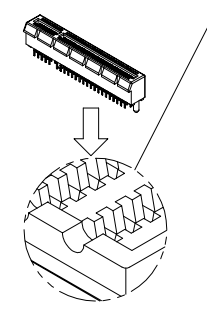
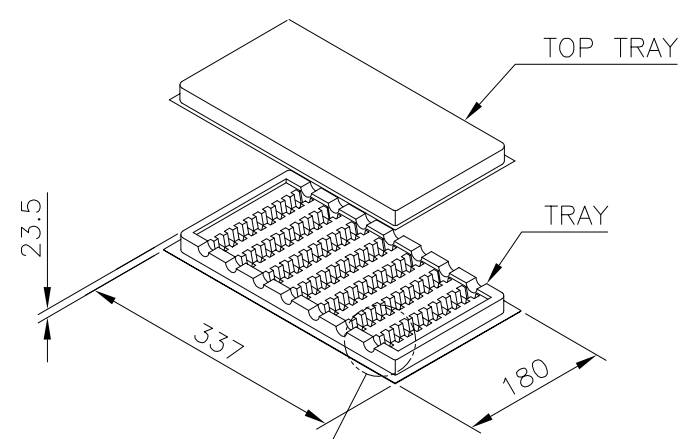
RECOMMENDED PCB LAYOUT

TOLERANCE: ±0.05
 FOR DIM.L=3.1mm PCB THICKNESS: 2.4mm
 FOR DIM.L=2.3mm PCB THICKNESS: 1.6mm



POS.	DIM. F	DIM. G	DIM. H	"K"
164	70.0	73.15	72.15	A1, B17, B31, B48, B81
98	37.0	40.15	39.15	A1, B17, B31, B48
64	20.0	23.15	22.15	A1, B17, B31
36	6.0	9.15	8.15	A1, B17

THIS DRAWING IS A CONTROLLED DOCUMENT.		DWN			
DIMENSIONS: MM		CHK			
TOLERANCES UNLESS OTHERWISE SPECIFIED:		APVD		NAME	
0 PLC ± -		PRODUCT SPEC		PCI EXPRESS CARD EDGE CONNECTOR VERTICAL, DIP TYPE, 3GIO	
1 PLC ± -		APPLICATION SPEC		SIZE CAGE CODE DRAWING NO RESTRICTED TO	
2 PLC ± -		WEIGHT		A3 00779 C=1734774	
3 PLC ± -		CUSTOMER DRAWING		SCALE SHEET 4 of 5 REV G	
4 PLC ± -					
ANGLES ± -					
FINISH					
MATERIAL					



- NOTES :
- MATERIAL :
 TRAY : PVC, COLOR: TRANSPARENT.
 CARTON: CORRUGATED FIBER
 BOX: CORRUGATED FIBER
 - DIMENSION :
 TRAY: SEE DRAWING
 CARTON: SEE DRAWING
 BOX : SEE DRAWING
 - QUANTITY : SEE TABLE
 - WEIGHT : SEE TABLE

10.2 Kg	8.2 Kg	30	10	3	900	164
9.0 Kg	7.0 Kg	40	10	3	1200	98
8.5 Kg	6.5 Kg	60	10	3	1800	64
7.6 Kg	5.6 Kg	70	10	3	2100	36
GROSS WEIGHT	NET WEIGHT	PCS/ TRAY	TRAY/ CARTON	CARTON/ BOX	PCS/ BOX	POS.

THIS DRAWING IS A CONTROLLED DOCUMENT.

DIMENSIONS: MM	TOLERANCES UNLESS OTHERWISE SPECIFIED: 0 PLC ± - 1 PLC ± - 2 PLC ± - 3 PLC ± - 4 PLC ± - ANGLES ± -	DWN CHK APVD PRODUCT SPEC APPLICATION SPEC WEIGHT CUSTOMER DRAWING	TE Connectivity NAME PCI EXPRESS CARD EDGE CONNECTOR VERTICAL, DIP TYPE, 3GIO		
MATERIAL	FINISH	SIZE A3	CAGE CODE 00779	DRAWING NO C-1734774	RESTRICTED TO
		SCALE	SHEET 5 of 5	REV G	

Компания «Life Electronics» занимается поставками электронных компонентов импортного и отечественного производства от производителей и со складов крупных дистрибьюторов Европы, Америки и Азии.

С конца 2013 года компания активно расширяет линейку поставок компонентов по направлению коаксиальный кабель, кварцевые генераторы и конденсаторы (керамические, пленочные, электролитические), за счёт заключения дистрибьюторских договоров

Мы предлагаем:

- Конкурентоспособные цены и скидки постоянным клиентам.
- Специальные условия для постоянных клиентов.
- Подбор аналогов.
- Поставку компонентов в любых объемах, удовлетворяющих вашим потребностям.
- Приемлемые сроки поставки, возможна ускоренная поставка.
- Доставку товара в любую точку России и стран СНГ.
- Комплексную поставку.
- Работу по проектам и поставку образцов.
- Формирование склада под заказчика.
- Сертификаты соответствия на поставляемую продукцию (по желанию клиента).
- Тестирование поставляемой продукции.
- Поставку компонентов, требующих военную и космическую приемку.
- Входной контроль качества.
- Наличие сертификата ISO.

В составе нашей компании организован Конструкторский отдел, призванный помогать разработчикам, и инженерам.

Конструкторский отдел помогает осуществить:

- Регистрацию проекта у производителя компонентов.
- Техническую поддержку проекта.
- Защиту от снятия компонента с производства.
- Оценку стоимости проекта по компонентам.
- Изготовление тестовой платы монтаж и пусконаладочные работы.



Тел: +7 (812) 336 43 04 (многоканальный)

Email: org@lifeelectronics.ru