



FCIconnect.com

Copyright FCI.

List of "SFW\_\_R-1/2STE1LF" customer document

| DOCUMENT NO. | LIST                                                                                |
|--------------|-------------------------------------------------------------------------------------|
| SC-SFW10     | SPEC.                                                                               |
| JSA95854     | CAT.NO.TABLE FOR 1mm SPACING SMT CONNECTOR (SFW__R-1/2ST__LF)                       |
| JSA95855     | 1mm SPACING SMT CONNECTOR (SFW__R-1ST__LF)                                          |
| JSA95856     | 1mm SPACING SMT CONNECTOR (SFW__R-2ST__LF)                                          |
| JSA95857     | CAT.NO.TABLE FOR PLASTIC TAPE PACKAGED 1mm SPACING SMT CONNECTOR (SFW__R-1/2STE1LF) |
| JSA95858     | PLASTIC TAPE PACKAGED 1mm SPACING SMT CONNECTOR (SFW__R-1STE1LF)                    |
| JSA95859     | PLASTIC TAPE PACKAGED 1mm SPACING SMT CONNECTOR (SFW__R-2STE1LF)                    |
| JSA91605     | RECOMMENDED CABLE (FPC) (SFW__R-1/2ST__)                                            |
| JSA91604     | RECOMMENDED CABLE (FFC) (SFW__R-1/2ST__)                                            |
| GS-20-129    | HANDLING PROCEDURES                                                                 |

|                           |  |                |  |                                                                                        |  |            |  |                                             |  |                   |  |
|---------------------------|--|----------------|--|----------------------------------------------------------------------------------------|--|------------|--|---------------------------------------------|--|-------------------|--|
| mat'l. code -             |  |                |  | surface ISO 1302 <input checked="" type="checkbox"/> 58 / tolerance ISO 406 / ISO 1101 |  | projection |  | product family 58RF                         |  | CODE JP           |  |
| ltr ecn no dr date        |  |                |  | tolerances unless otherwise specified                                                  |  | mm         |  | title                                       |  |                   |  |
| A J05-0055 H.T '05/2/4    |  |                |  | angles linear                                                                          |  | scale X    |  | 1mm SPACING FPC/FFC CONNECTOR DOCUMENT LIST |  |                   |  |
| B J06-0398 H.T 9/26/'06   |  |                |  |                                                                                        |  |            |  | (Cat. No. : SFW__R-1/2STE1LF)               |  |                   |  |
| C J09-0358 M.Y 2009-10-5  |  |                |  |                                                                                        |  |            |  | dwg no                                      |  | sheet 1 of 1 size |  |
| D J09-0380 M.Y 2009-10-27 |  |                |  | dr M. YAMASHITA 2009-10-27                                                             |  |            |  | JSA 96336                                   |  | A4                |  |
|                           |  |                |  | enr M. YAMASHITA 2007-10-27                                                            |  |            |  | type Product Customer Drawing               |  |                   |  |
|                           |  |                |  | chr S. Waki 2009-10-27                                                                 |  |            |  |                                             |  |                   |  |
|                           |  |                |  | appd J. D. ... 2009-10-27                                                              |  |            |  |                                             |  |                   |  |
| sheet index               |  | revision sheet |  | D 1                                                                                    |  |            |  |                                             |  | Rev. D            |  |

CAT. NO. & DIMENSIONS

| NO. OF CONTACTS (n) | CAT. NO.         | DIMENSIONS (NOTE2) |         |         |         |
|---------------------|------------------|--------------------|---------|---------|---------|
|                     |                  | A ± 0.2            | B ± 0.2 | C ± 0.2 | D ± 0.1 |
| 4                   | SFW4R-1/2ST__LF  | 9.8                | 8.6     | 3.0     | 5.3     |
| 5                   | SFW5R-1/2ST__LF  | 10.8               | 9.6     | 4.0     | 6.3     |
| 6                   | SFW6R-1/2ST__LF  | 11.8               | 10.6    | 5.0     | 7.3     |
| 7                   | SFW7R-1/2ST__LF  | 12.8               | 11.6    | 6.0     | 8.3     |
| 8                   | SFW8R-1/2ST__LF  | 13.8               | 12.6    | 7.0     | 9.3     |
| 9                   | SFW9R-1/2ST__LF  | 14.8               | 13.6    | 8.0     | 10.3    |
| 10                  | SFW10R-1/2ST__LF | 15.8               | 14.6    | 9.0     | 11.3    |
| 11                  | SFW11R-1/2ST__LF | 16.8               | 15.6    | 10.0    | 12.3    |
| 12                  | SFW12R-1/2ST__LF | 17.8               | 16.6    | 11.0    | 13.3    |
| 13                  | SFW13R-1/2ST__LF | 18.8               | 17.6    | 12.0    | 14.3    |
| 14                  | SFW14R-1/2ST__LF | 19.8               | 18.6    | 13.0    | 15.3    |
| 15                  | SFW15R-1/2ST__LF | 20.8               | 19.6    | 14.0    | 16.3    |
| 16                  | SFW16R-1/2ST__LF | 21.8               | 20.6    | 15.0    | 17.3    |
| 17                  | SFW17R-1/2ST__LF | 22.8               | 21.6    | 16.0    | 18.3    |
| 18                  | SFW18R-1/2ST__LF | 23.8               | 22.6    | 17.0    | 19.3    |
| 19                  | SFW19R-1/2ST__LF | 24.8               | 23.6    | 18.0    | 20.3    |
| 20                  | SFW20R-1/2ST__LF | 25.8               | 24.6    | 19.0    | 21.3    |
| 21                  | SFW21R-1/2ST__LF | 26.8               | 25.6    | 20.0    | 22.3    |
| 22                  | SFW22R-1/2ST__LF | 27.8               | 26.6    | 21.0    | 23.3    |
| 23                  | SFW23R-1/2ST__LF | 28.8               | 27.6    | 22.0    | 24.3    |
| 24                  | SFW24R-1/2ST__LF | 29.8               | 28.6    | 23.0    | 25.3    |
| 25                  | SFW25R-1/2ST__LF | 30.8               | 29.6    | 24.0    | 26.3    |
| 26                  | SFW26R-1/2ST__LF | 31.8               | 30.6    | 25.0    | 27.3    |
| 27                  | SFW27R-1/2ST__LF | 32.8               | 31.6    | 26.0    | 28.3    |
| 28                  | SFW28R-1/2ST__LF | 33.8               | 32.6    | 27.0    | 29.3    |
| 29                  | SFW29R-1/2ST__LF | 34.8               | 33.6    | 28.0    | 30.3    |
| 30                  | SFW30R-1/2ST__LF | 35.8               | 34.6    | 29.0    | 31.3    |



NOTES

1. THIS PRODUCT IS THE CONNECTOR USED FOR FPC/FFC AND COPEs WITH AUTOMATIC MOUNTING (SMT).
2. SEE PART DRAWINGS FOR DIMENSIONS A~D.
3. A  SYMBOL WILL BE NEXT TO ANY DIMENSION, VIEW, OR NOTE WHICH HAS BEEN MODIFIED WITH THE CURRENT DRAWING REVISION.

|                           |  |                  |  |                                                  |  |                                                                                                |  |                                                                                |  |                      |  |
|---------------------------|--|------------------|--|--------------------------------------------------|--|------------------------------------------------------------------------------------------------|--|--------------------------------------------------------------------------------|--|----------------------|--|
| mat'l. code               |  |                  |  | surface 58 / tolerance ISO 1302 ISO 406 ISO 1101 |  | projection  |  | product family 58RF                                                            |  | CODE JP              |  |
| ltr ecn no dr date        |  |                  |  | tolerances unless otherwise specified            |  | mm          |  | title CAT. NO. TABLE FOR 1mm SPACING SMT CONNECTOR (Cat. No. SFW__R-1/2ST__LF) |  |                      |  |
| AA J05-0055 H.T 05-02-04  |  |                  |  | angles linear                                    |  | scale $\times$                                                                                 |  | dwg no JSA 95854                                                               |  | sheet 1 of 1 size A4 |  |
| AB J06-0398 H.T 06-09-26  |  |                  |  |                                                  |  |             |  | type Product Customer Drawing                                                  |  | Rev. AC              |  |
| AC S08-0276 DGOH 08-08-22 |  |                  |  | dr H. TAKAKURA 06-09-26                          |  |                                                                                                |  |                                                                                |  |                      |  |
|                           |  |                  |  | enr H. TAKAKURA 06-09-26                         |  |                                                                                                |  |                                                                                |  |                      |  |
|                           |  |                  |  | chr DENNIS GOH 08-08-22                          |  |                                                                                                |  |                                                                                |  |                      |  |
|                           |  |                  |  | appd JOEY NG 08-08-22                            |  |                                                                                                |  |                                                                                |  |                      |  |
| sheet index               |  | revision sheet 1 |  | AC                                               |  |                                                                                                |  |                                                                                |  |                      |  |

This document is the property of and embodies CONFIDENTIAL and PROPRIETARY information of FCI. No part of the information shown on this document may be used in any way or disclosed to others without the written consent of FCI. Copyright FCI.



FCIconnect.com



A

A

B

B

C

C

D

D

This document is the property of and embodies CONFIDENTIAL and PROPRIETARY information of FCI. No part of the information shown on this document may be used in any way or disclosed to others without the written consent of FCI. Copyright FCI.



FCIconnect.com



| PT. NO. | PARTS NAME     | MATERIAL                             | Q'TY | NOTE          |
|---------|----------------|--------------------------------------|------|---------------|
| 1       | HOUSING        | PPS RESIN GLASS REINFORCED (UL94V-0) | 1    | COLOR : BROWN |
| 2       | SLIDER         |                                      | 1    | COLOR : BLACK |
| 3       | CONTACT        | PHOSPHOR BRONZE                      | n    | PLATING : TIN |
| 4       | MOUNTING PLATE |                                      | 2    |               |

n : NO. OF CONTACTS

NOTES

1. THIS PRODUCT IS THE CONNECTOR USED FOR FPC/FFC AND COPES WITH AUTOMATIC MOUNTING (SMT).
  2. FLATNESS FOR CONTACT TERMINAL HOUSING MUST BE WITHIN TOLERANCE IN Z PORTION DETAILED DRAWING.
  3. THIS PRODUCT IS LOWER CONTACT TYPE CONNECTOR.
  4. THIS PRODUCT MEETS EUROPEAN UNION DIRECTIVES AND OTHER COUNTRY REGULATIONS AS DESCRIBED IN GS-22-008
  5. THE HOUSING WILL WITHSTAND EXPOSURE TO 260°C PEAK TEMPERATURE FOR 10 SECONDS IN A REFLOW SOLDERING OVEN.
3. A SYMBOL WILL BE NEXT TO ANY DIMENSION, VIEW, OR NOTE WHICH HAS BEEN MODIFIED WITH THE CURRENT DRAWING REVISION.

RECOMMENDED PC BOARD LAYOUT (COMPONENT SIDE)



|             |  |                                 |  |                              |  |            |  |                               |  |                                                     |  |
|-------------|--|---------------------------------|--|------------------------------|--|------------|--|-------------------------------|--|-----------------------------------------------------|--|
| mat'l. code |  | surface 58 / tolerance ISO 1302 |  | tolerance ISO 406 / ISO 1101 |  | projection |  | product family 58RF           |  | CODE JP                                             |  |
| ltr         |  | ecn no                          |  | dr                           |  | date       |  | title                         |  | 1mm SPACING SMT CONNECTOR (Cat. No. SFW__R-1ST__LF) |  |
| AA          |  | J04-0180                        |  | H.T                          |  | 04-07-02   |  | mm                            |  | sheet 1 of 1                                        |  |
| AB          |  | J05-0055                        |  | H.T                          |  | 05-02-04   |  | scale X                       |  | size A4                                             |  |
| AC          |  | J05-0736                        |  | H.T                          |  | 05-10-28   |  | FCI                           |  | dwg no JSA 95855                                    |  |
| AD          |  | J06-0398                        |  | H.T                          |  | 06-09-26   |  | type Product Customer Drawing |  | Rev. AE                                             |  |
| AE          |  | S08-0276                        |  | DGOH                         |  | 08-08-22   |  |                               |  |                                                     |  |
| sheet index |  | revision sheet                  |  | AE                           |  | 1          |  |                               |  |                                                     |  |

SC\_SFW10 JSA95854 form: A4

This document is the property of and embodies CONFIDENTIAL and PROPRIETARY information of FCI. No part of the information shown on this document may be used in any way or disclosed to others without the written consent of FCI. Copyright FCI.



FCIconnect.com



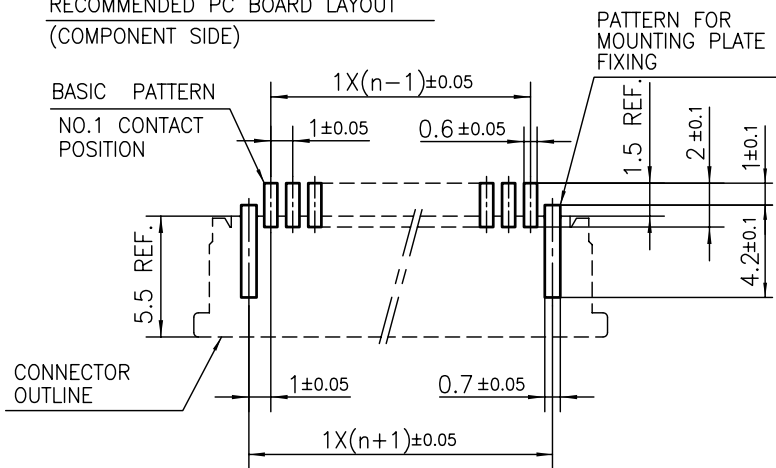
| PT. NO. | PARTS NAME     | MATERIAL                             | Q'TY | NOTE          |
|---------|----------------|--------------------------------------|------|---------------|
| 1       | HOUSING        | PPS RESIN GLASS REINFORCED (UL94V-0) | 1    | COLOR : BROWN |
| 2       | SLIDER         | PPS RESIN GLASS REINFORCED (UL94V-0) | 1    | COLOR : BLACK |
| 3       | CONTACT        | PHOSPHOR BRONZE                      | n    | PLATING : TIN |
| 4       | MOUNTING PLATE |                                      | 2    |               |

n : NO. OF CONTACTS

NOTES

1. THIS PRODUCT IS THE CONNECTOR USED FOR FPC/FFC AND COPEs WITH AUTOMATIC MOUNTING (SMT).
2. FLATNESS FOR CONTACT TERMINAL HOUSING MUST BE WITHIN TOLERANCE IN Z PORTION DETAILED DRAWING.
3. THIS PRODUCT IS UPPER CONTACT TYPE CONNECTOR.
4. THIS PRODUCT MEETS EUROPEAN UNION DIRECTIVES AND OTHER?COUNTRY REGULATIONS AS DESCRIBED IN GS-22-008
5. THE HOUSING WILL WITHSTAND EXPOSURE TO 260°C PEAK TEMPERATURE FOR 10 SECONDS IN A REFLOW SOLDERING OVEN.
6. A SYMBOL WILL BE NEXT TO ANY DIMENSION, VIEW, OR NOTE WHICH HAS BEEN MODIFIED WITH THE CURRENT DRAWING REVISION.

RECOMMENDED PC BOARD LAYOUT (COMPONENT SIDE)



|                           |  |                                                      |  |                |  |                                                           |  |                      |  |
|---------------------------|--|------------------------------------------------------|--|----------------|--|-----------------------------------------------------------|--|----------------------|--|
| mat'l. code               |  | surface 58 / tolerance ISO 1302 / ISO 406 / ISO 1101 |  | projection     |  | product family 58RF                                       |  | CODE JP              |  |
| ltr ecn no dr date        |  | tolerances unless otherwise specified ±0.2           |  | mm             |  | title 1mm SPACING SMT CONNECTOR (Cat. No. SFW__R-2ST__LF) |  |                      |  |
| AA J04-0180 H.T 04-07-02  |  | angles linear                                        |  | scale $\times$ |  | dwg no JSA 95856                                          |  | sheet 1 of 1 size A4 |  |
| AB J05-0055 H.T 05-02-04  |  | dr H. TAKAKURA 06-09-26                              |  |                |  | type Product Customer Drawing                             |  | Rev. AE              |  |
| AC J05-0736 H.T 05-10-28  |  | enr H. TAKAKURA 06-09-26                             |  |                |  |                                                           |  |                      |  |
| AD J06-0398 H.T 06-09-26  |  | chr DENNIS GOH 08-08-22                              |  |                |  |                                                           |  |                      |  |
| AE S08-0276 DGOH 08-08-22 |  | appd JOEY NG 08-08-22                                |  |                |  |                                                           |  |                      |  |
| sheet index               |  | revision sheet 1                                     |  |                |  |                                                           |  |                      |  |

SC\_SFW10 JSA95854 form: A4

CAT. NO. & DIMENSIONS

| NO. OF CONTACTS (n) | CAT. NO. (NOTE2)  | DIMENSIONS (NOTE3) |         |         |
|---------------------|-------------------|--------------------|---------|---------|
|                     |                   | E ± 5              | F ± 0.3 | G ± 0.1 |
| 4                   | SFW4R-1/2STE1 LF  | 20.4               | 16      | —       |
| 5                   | SFW5R-1/2STE1 LF  | 28.4               | 24      | —       |
| 6                   | SFW6R-1/2STE1 LF  | 28.4               | 24      | —       |
| 7                   | SFW7R-1/2STE1 LF  | 28.4               | 24      | —       |
| 8                   | SFW8R-1/2STE1 LF  | 28.4               | 24      | —       |
| 9                   | SFW9R-1/2STE1 LF  | 28.4               | 24      | —       |
| 10                  | SFW10R-1/2STE1 LF | 28.4               | 24      | —       |
| 11                  | SFW11R-1/2STE1 LF | 28.4               | 24      | —       |
| 12                  | SFW12R-1/2STE1 LF | 28.4               | 24      | —       |
| 13                  | SFW13R-1/2STE1 LF | 36.4               | 32      | 28.4    |
| 14                  | SFW14R-1/2STE1 LF | 36.4               | 32      | 28.4    |
| 15                  | SFW15R-1/2STE1 LF | 36.4               | 32      | 28.4    |
| 16                  | SFW16R-1/2STE1 LF | 36.4               | 32      | 28.4    |
| 17                  | SFW17R-1/2STE1 LF | 48.4               | 44      | 40.4    |
| 18                  | SFW18R-1/2STE1 LF | 48.4               | 44      | 40.4    |
| 19                  | SFW19R-1/2STE1 LF | 48.4               | 44      | 40.4    |
| 20                  | SFW20R-1/2STE1 LF | 48.4               | 44      | 40.4    |
| 21                  | SFW21R-1/2STE1 LF | 48.4               | 44      | 40.4    |
| 22                  | SFW22R-1/2STE1 LF | 48.4               | 44      | 40.4    |
| 23                  | SFW23R-1/2STE1 LF | 48.4               | 44      | 40.4    |
| 24                  | SFW24R-1/2STE1 LF | 48.4               | 44      | 40.4    |
| 25                  | SFW25R-1/2STE1 LF | 48.4               | 44      | 40.4    |
| 26                  | SFW26R-1/2STE1 LF | 48.4               | 44      | 40.4    |
| 27                  | SFW27R-1/2STE1 LF | 48.4               | 44      | 40.4    |
| 28                  | SFW28R-1/2STE1 LF | 60.4               | 56      | 52.4    |
| 29                  | SFW29R-1/2STE1 LF | 60.4               | 56      | 52.4    |
| 30                  | SFW30R-1/2STE1 LF | 60.4               | 56      | 52.4    |



NOTES

1. THIS PRODUCT IS THE CONNECTOR USED FOR FPC/FFC AND COPEs WITH AUTOMATIC MOUNTING (SMT).
2. THIS CATALOG NO. INDICATES PLASTIC TAPE PACKAGED CONNECTOR.
3. SEE PART DRAWINGS FOR DIMENSIONS E~G.
4. A SYMBOL WILL BE NEXT TO ANY DIMENSION, VIEW, OR NOTE WHICH HAS BEEN MODIFIED WITH THE CURRENT DRAWING REVISION.

|                           |  |                  |  |                                                      |  |                |  |                                                                                                       |  |                      |  |
|---------------------------|--|------------------|--|------------------------------------------------------|--|----------------|--|-------------------------------------------------------------------------------------------------------|--|----------------------|--|
| mat'l. code               |  |                  |  | surface 58 / tolerance ISO 1302 / ISO 406 / ISO 1101 |  | projection     |  | product family 58RF                                                                                   |  | CODE JP              |  |
| ltr ecn no dr date        |  |                  |  | tolerances unless otherwise specified                |  | mm             |  | title CAT. NO. TABLE FOR PLASTIC TAPE PACKAGED 1mm SPACING SMT CONNECTOR (Cat. No. SFW__R-1/2STE1 LF) |  |                      |  |
| AA J05-0055 H.T 05-02-04  |  |                  |  | angles linear                                        |  | scale $\times$ |  | dwg no JSA 95857                                                                                      |  | sheet 1 of 1 size A4 |  |
| AB J06-0398 H.T 06-09-26  |  |                  |  | dr H. TAKAKURA 06-09-26                              |  |                |  | type Product Customer Drawing                                                                         |  |                      |  |
| AC S08-0276 DGOH 08-08-22 |  |                  |  | enr H. TAKAKURA 06-09-26                             |  |                |  |                                                                                                       |  |                      |  |
|                           |  |                  |  | chr DENNIS GOH 08-08-22                              |  |                |  |                                                                                                       |  |                      |  |
|                           |  |                  |  | appd JOEY NG 08-08-22                                |  |                |  |                                                                                                       |  |                      |  |
| sheet index               |  | revision sheet 1 |  | AC                                                   |  |                |  |                                                                                                       |  | Rev. AC              |  |

SC\_SFW10 JSA95854 95858 95859

form: A4

This document is the property of and embodies CONFIDENTIAL and PROPRIETARY information of FCI. No part of the information shown on this document may be used in any way or disclosed to others without the written consent of FCI. Copyright FCI.



FCIconnect.com





| PT. NO. | PARTS NAME            | CAT. NO.       | MATERIAL          | Q'TY | NOTE               |
|---------|-----------------------|----------------|-------------------|------|--------------------|
| 1       | REEL                  | —              | CARDBOARD         | 1    | COLOR:WHITE/GREY   |
| 2       | PLASTIC (EMBOSS) TAPE | —              | PET               | —    | COLOR:TRANSPARENCY |
| 3       | COVER                 | —              | POLYESTER         | —    | COLOR:TRANSPARENCY |
| 4       | CONNECTOR             | SFW__R-1ST__LF | SEE ATTACHED DWG. | 2000 | LOWER CONTACT TYPE |

NOTES

- THIS IS PLASTIC TAPE PACKAGED CONNECTOR USED FOR FPC/FFC AND CYPES WITH AUTOMATIC MOUNTING (SMT).
- SEE JIS C 0806 (PACKING OF ELECTRONIC COMPONENTS ON CONTINUOUS TAPES (SURFACE MOUNTING DEVICES)) FOR SHAPE AND DIMENSIONS OF PLASTIC (EMBOSS) TAPE AND REEL.
- E DIMENSION IS PORTION OF THE CORE.
- A  $\triangle$  AC SYMBOL WILL BE NEXT TO ANY DIMENSION, VIEW, OR NOTE WHICH HAS BEEN MODIFIED WITH THE CURRENT DRAWING REVISION.

|                           |  |                                                      |  |            |  |                                                                                  |  |                   |  |
|---------------------------|--|------------------------------------------------------|--|------------|--|----------------------------------------------------------------------------------|--|-------------------|--|
| mat'l. code               |  | surface 58 / tolerance ISO 1302 / ISO 406 / ISO 1101 |  | projection |  | product family 58RF                                                              |  | CODE JP           |  |
| ltr ecn no dr date        |  | tolerances unless otherwise specified                |  | mm         |  | title                                                                            |  |                   |  |
| AA J05-0055 H.T 05/02/04  |  | angles linear ±5                                     |  | mm         |  | PLASTIC TAPE PACKAGED<br>1mm SPACING SMT CONNECTOR<br>(Cat. No. SFW__R-1STE1 LF) |  |                   |  |
| AB J06-0398 H.T 06/09/26  |  | ±5'                                                  |  | scale X    |  | dwg no                                                                           |  | sheet 1 of 1 size |  |
| AC S08-0276 DGOH 08-08-22 |  | dr H. TAKAKURA 06-09-26                              |  | FCJ        |  | JSA 95858                                                                        |  | A4                |  |
|                           |  | enr H. TAKAKURA 06-09-26                             |  |            |  | type Product Customer Drawing                                                    |  |                   |  |
|                           |  | chr DENNIS GOH 08-08-22                              |  |            |  |                                                                                  |  |                   |  |
|                           |  | appd JOEY NG 08-08-22                                |  |            |  |                                                                                  |  |                   |  |
| sheet index               |  | revision AC                                          |  |            |  |                                                                                  |  | Rev. AC           |  |
| sheet 1                   |  |                                                      |  |            |  |                                                                                  |  |                   |  |

SC\_SFW10 JSA95857 form: A4

This document is the property of and embodies CONFIDENTIAL and PROPRIETARY information of FCI. No part of the information shown on this document may be used in any way or disclosed to others without the written consent of FCI. Copyright FCI.



FCIconnect.com



| PT. NO. | PARTS NAME            | CAT. NO.       | MATERIAL          | Q'TY  | NOTE               |
|---------|-----------------------|----------------|-------------------|-------|--------------------|
| 1       | REEL                  | _____          | CARDBOARD         | 1     | COLOR:WHITE/GREY   |
| 2       | PLASTIC (EMBOSS) TAPE | _____          | PET               | _____ | COLOR:TRANSPARENCY |
| 3       | COVER                 | _____          | POLYESTER         | _____ | COLOR:TRANSPARENCY |
| 4       | CONNECTOR             | SFW__R-2ST__LF | SEE ATTACHED DWG. | 2000  | UPPER CONTACT TYPE |

NOTES

- THIS IS PLASTIC TAPE PACKAGED CONNECTOR USED FOR FPC/FFC AND COPES WITH AUTOMATIC MOUNTING (SMT).
- SEE JIS C 0806 (PACKING OF ELECTRONIC COMPONENTS ON CONTINUOUS TAPES (SURFACE MOUNTING DEVICES)) FOR SHAPE AND DIMENSIONS OF PLASTIC (EMBOSS) TAPE AND REEL.
- E DIMENSION IS PORTION OF THE CORE.
- A SYMBOL WILL BE NEXT TO ANY DIMENSION, VIEW, OR NOTE WHICH HAS BEEN MODIFIED WITH THE CURRENT DRAWING REVISION.

|                           |  |                                                      |  |                           |  |                                                                                  |  |                       |  |
|---------------------------|--|------------------------------------------------------|--|---------------------------|--|----------------------------------------------------------------------------------|--|-----------------------|--|
| mat'l. code               |  | surface 58 / tolerance ISO 1302 / ISO 406 / ISO 1101 |  | projection                |  | product family 58RF                                                              |  | CODE JP               |  |
| ltr ecn no dr date        |  | tolerances unless otherwise specified                |  | mm                        |  | title PLASTIC TAPE PACKAGED 1mm SPACING SMT CONNECTOR (Cat. No. SFW__R-2STE1 LF) |  |                       |  |
| AA J05-0055 H.T 05-02-04  |  | angles linear ±5                                     |  | scale                     |  | dwg no JSA 95859                                                                 |  | sheet 1 of 1 size A4  |  |
| AB J06-0398 H.T 06-09-26  |  | ±5'                                                  |  | FCI                       |  | type Product Customer Drawing                                                    |  |                       |  |
| AC S08-0276 DGOH 08-08-22 |  | dr H. TAKAKURA 06-09-26                              |  | engr H. TAKAKURA 06-09-26 |  | chr DENNIS GOH 08-08-22                                                          |  | appd JOEY NG 08-08-22 |  |
| sheet index               |  | revision AC                                          |  | sheet 1                   |  | Rev. AC                                                                          |  |                       |  |

SC\_SFW10 JSA95857 form: A4

RECOMMENDED CABLE (FPC)

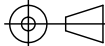
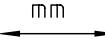
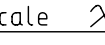

n : NO. OF CONDUCTOR



| PT. NO. | PARTS NAME      | MATERIAL                             | THICKNESS (um) |
|---------|-----------------|--------------------------------------|----------------|
| 1       | BASE FILM       | POLYIMIDE OR POLYESTER OR EQUAL      | 25             |
| 2       | CONDUCTOR       | COPPER FOIL(PLATING:SOLDER 1um MIN.) | 35             |
| 3       | OVERLAY         | POLYIMIDE OR POLYESTER OR EQUAL      | —              |
| 4       | SUPPORTING TAPE | POLYESTER OR POLYIMIDE OR EQUAL      | 188            |

NOTES

1. NO BURR AT EACH PORTION.
2. NO PEELING IN COMMON USE.
3. TOTAL THICKNESS LIMIT OF EACH MATERIAL (INCLUDING ADHESIVE AGENT) IS SPECIFIED.
4. A  SYMBOL WILL BE NEXT TO ANY DIMENSION, VIEW, OR NOTE WHICH HAS BEEN MODIFIED WITH THE CURRENT DRAWING REVISION.

|                           |  |                |  |                                                  |  |                                                                                                |  |                                                 |  |                      |  |
|---------------------------|--|----------------|--|--------------------------------------------------|--|------------------------------------------------------------------------------------------------|--|-------------------------------------------------|--|----------------------|--|
| mat'l. code               |  |                |  | surface 58 / tolerance ISO 1302 ISO 406 ISO 1101 |  | projection  |  | product family 58RF                             |  | CODE JP              |  |
| ltr ecn no dr date        |  |                |  | tolerances unless otherwise specified            |  | mm          |  | title RECOMMENDED CABLE (Cat. No. SFW__R-1/2__) |  |                      |  |
| AA J05-0055 H.T 05-02-04  |  |                |  | angles linear                                    |  | scale       |  | dwg no JSA 91605                                |  | sheet 1 of 1 size A4 |  |
| AB J06-0398 H.T 06-09-26  |  |                |  |                                                  |  |             |  | type Product Customer Drawing                   |  |                      |  |
| AC S08-0276 DGOH 08-08-22 |  |                |  |                                                  |  |                                                                                                |  |                                                 |  |                      |  |
| sheet index               |  | revision sheet |  | AC 1                                             |  |                                                                                                |  |                                                 |  | Rev. AC              |  |

This document is the property of and embodies CONFIDENTIAL and PROPRIETARY information of FCI. No part of the information shown on this document may be used in any way or disclosed to others without the written consent of FCI. Copyright FCI.





RECOMMENDED CABLE (FFC)

n : NO. OF CONDUCTOR



| PT. NO. | PARTS NAME      | MATERIAL                           | NOTE                              |
|---------|-----------------|------------------------------------|-----------------------------------|
| 1       | INSULATOR       | FLAME RESISTING POLYESTER OR EQUAL | _____                             |
| 2       | CONDUCTOR       | COPPER FOIL                        | PLATING:TIN OR SOLDER<br>1um MIN. |
| 3       | SUPPORTING TAPE | FLAME RESISTING POLYESTER OR EQUAL | _____                             |

NOTES

1. NO BURR AT EACH PORTION.
2. NO PEELING IN COMMON USE.
3. A SYMBOL WILL BE NEXT TO ANY DIMENSION, VIEW, OR NOTE WHICH HAS BEEN MODIFIED WITH THE CURRENT DRAWING REVISION.

|                           |  |                |  |                                                  |  |                |  |                               |  |         |  |
|---------------------------|--|----------------|--|--------------------------------------------------|--|----------------|--|-------------------------------|--|---------|--|
| mat'l. code               |  |                |  | surface 58 / tolerance ISO 1302 ISO 406 ISO 1101 |  | projection     |  | product family 58RF           |  | CODE JP |  |
| ltr ecn no dr date        |  |                |  | tolerances unless otherwise specified            |  | mm             |  | title                         |  |         |  |
| AA J05-0055 H.T 05-02-04  |  |                |  | angles linear                                    |  | mm             |  | RECOMMENDED CABLE             |  |         |  |
| AB J06-0398 H.T 06-09-26  |  |                |  |                                                  |  |                |  | (Cat. No. SFW__R-1/2__)       |  |         |  |
| AC S08-0276 DGOH 08-08-22 |  |                |  |                                                  |  | scale $\times$ |  | dwg no sheet 1 of 1 size      |  |         |  |
|                           |  |                |  | dr H. TAKAKURA 06-09-26                          |  |                |  | JSA 91604                     |  |         |  |
|                           |  |                |  | enr H. TAKAKURA 06-09-26                         |  |                |  | A4                            |  |         |  |
|                           |  |                |  | chr DENNIS GOH 08-08-22                          |  |                |  | type Product Customer Drawing |  |         |  |
|                           |  |                |  | appd JOEY NG 08-08-22                            |  |                |  |                               |  |         |  |
| sheet index               |  | revision sheet |  | AC 1                                             |  |                |  |                               |  | Rev. AC |  |

This document is the property of and embodies CONFIDENTIAL and PROPRIETARY information of FCI. No part of the information shown on this document may be used in any way or disclosed to others without the written consent of FCI. Copyright FCI.



FCIconnect.com



Компания «Life Electronics» занимается поставками электронных компонентов импортного и отечественного производства от производителей и со складов крупных дистрибьюторов Европы, Америки и Азии.

С конца 2013 года компания активно расширяет линейку поставок компонентов по направлению коаксиальный кабель, кварцевые генераторы и конденсаторы (керамические, пленочные, электролитические), за счёт заключения дистрибьюторских договоров

Мы предлагаем:

- Конкурентоспособные цены и скидки постоянным клиентам.
- Специальные условия для постоянных клиентов.
- Подбор аналогов.
- Поставку компонентов в любых объемах, удовлетворяющих вашим потребностям.
- Приемлемые сроки поставки, возможна ускоренная поставка.
- Доставку товара в любую точку России и стран СНГ.
- Комплексную поставку.
- Работу по проектам и поставку образцов.
- Формирование склада под заказчика.
- Сертификаты соответствия на поставляемую продукцию (по желанию клиента).
- Тестирование поставляемой продукции.
- Поставку компонентов, требующих военную и космическую приемку.
- Входной контроль качества.
- Наличие сертификата ISO.

В составе нашей компании организован Конструкторский отдел, призванный помогать разработчикам, и инженерам.

Конструкторский отдел помогает осуществить:

- Регистрацию проекта у производителя компонентов.
- Техническую поддержку проекта.
- Защиту от снятия компонента с производства.
- Оценку стоимости проекта по компонентам.
- Изготовление тестовой платы монтаж и пусконаладочные работы.



Тел: +7 (812) 336 43 04 (многоканальный)

Email: [org@lifeelectronics.ru](mailto:org@lifeelectronics.ru)