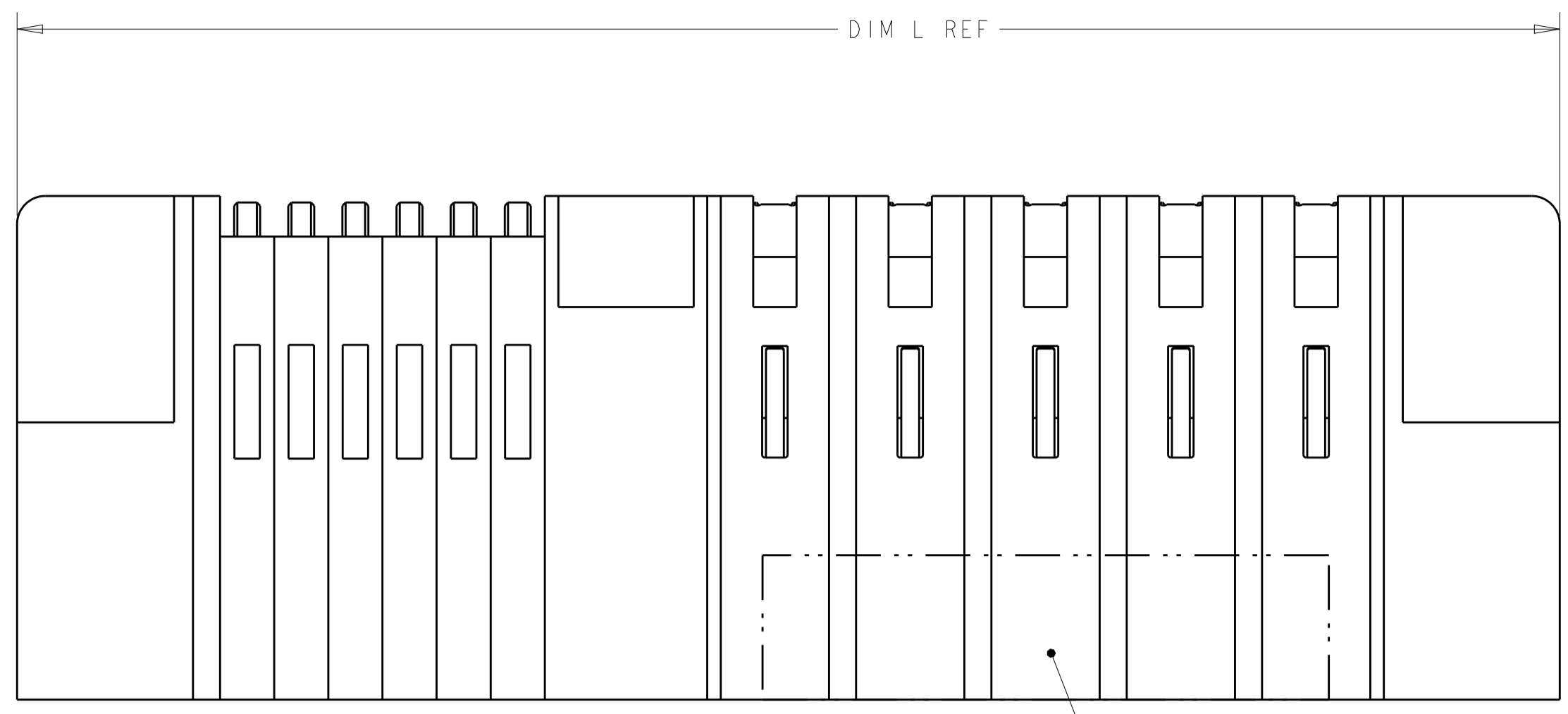
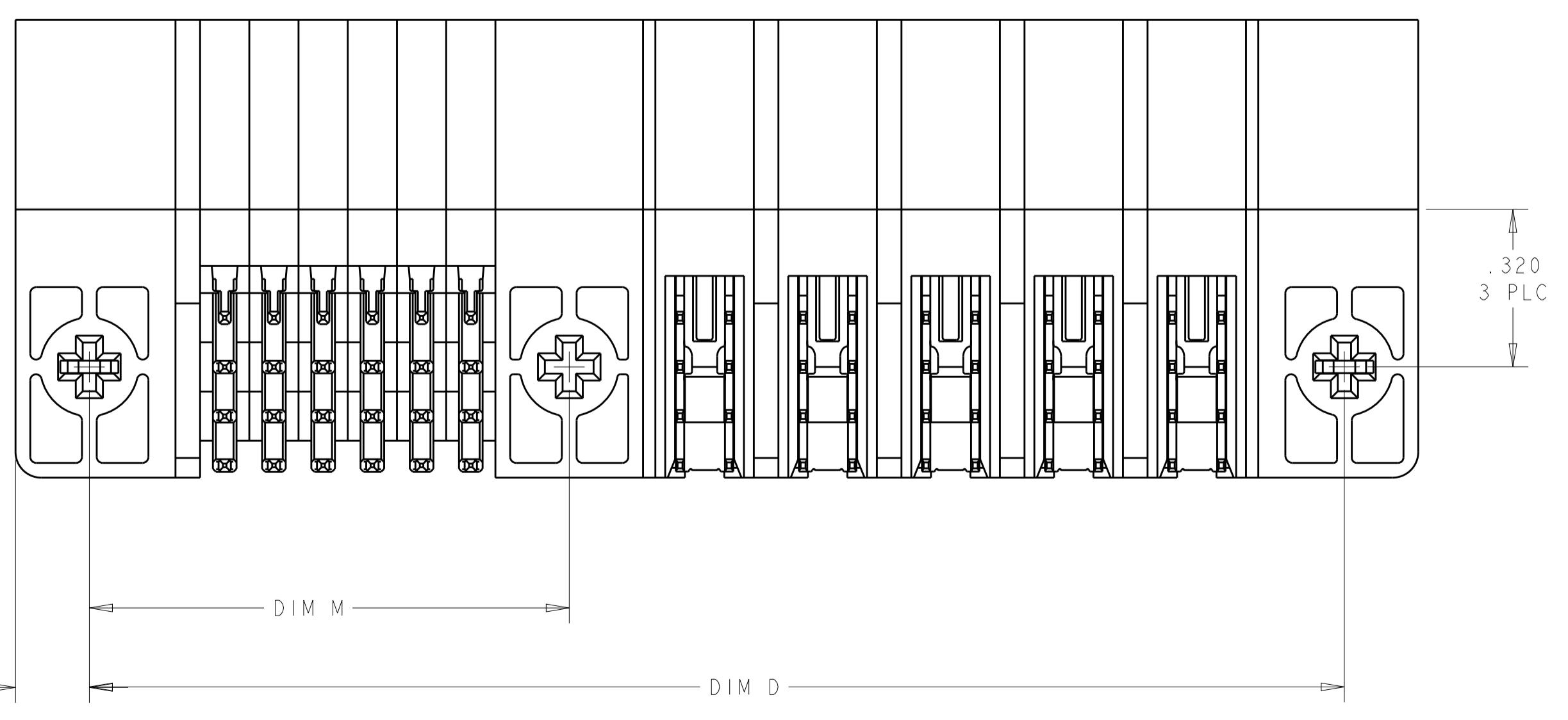
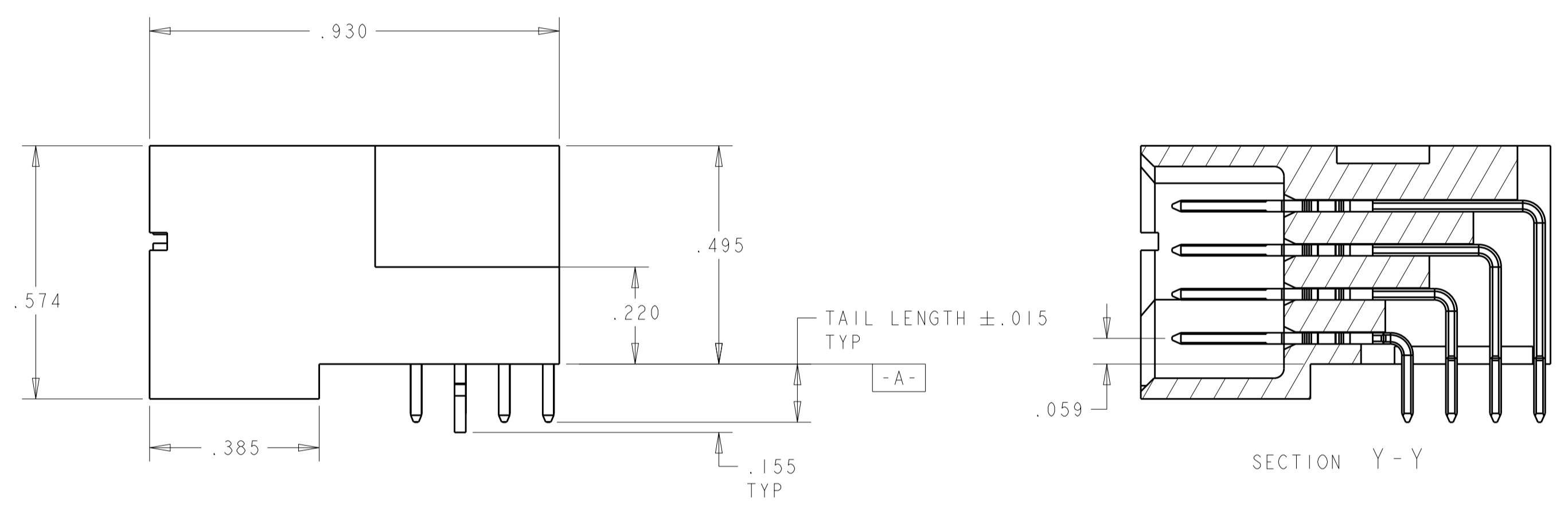
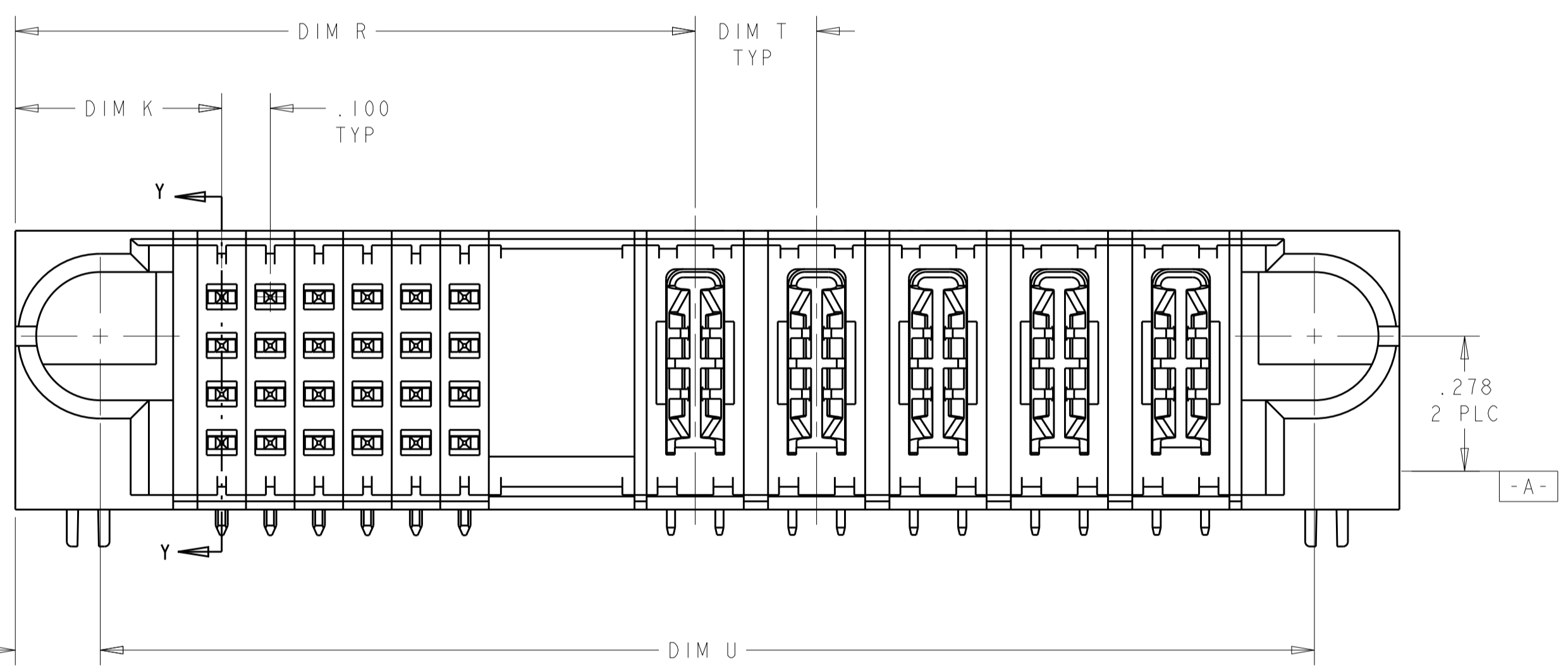


LOC		DIST		REVISIONS			
P	LTN	DESCRIPTION	DATE	DMN	APVD		
G		ADD NEW DASH NUMBER 2-8	15DEC2014	CZ	SZ		
G1		ADD NEW DASH NUMBER 2-9	13FEB2015	CZ	SZ		
G2		REV PER ECO-17-013298	11SEP2017	WY	SZ		



1. CENTER MODULE OPTION AVAILABLE
2. "AMP", PART NUMBER, AND DATECODE TO BE MARKED IN AREA SHOWN.
3. MATERIAL:
HOUSING - GLASS FILLED HIGH TEMP THERMO PLASTIC, UL94 V-0
SIGNAL CONTACT - COPPER ALLOY
POWER CONTACT - HIGH CONDUCTIVITY COPPER ALLOY
4. CONTACT PLATING:
NOBLE METAL PLATED ON THE CONTACT FUNCTIONAL AREA OF POWER AND SIGNAL CONTACTS.
5. MECHANICAL CONNECTOR KEEP OUT ZONE.
6. DATUM AND BASIC DIMENSIONS ESTABLISHED BY CUSTOMER.
7. PCB-ALL HOLE DIAMETERS ARE FINISHED HOLE SIZES.
8. PCB- .0453±.0010 DRILLED HOLES PLATED WITH .0003 MIN Sn OVER .001 TO .003 CU PLATING TO ACHIEVE A .040±.003 DIA HOLE
9. VARIABLE DIMENSION, SEE SHEET 2
10. FOR DETAIL DIMENSION ,PLEASE REFER TO TABLE




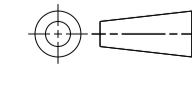
.150 REF

THIS DRAWING IS A CONTROLLED DOCUMENT.		DMN R.GRZYBOWSKI 02FEB05	TE Connectivity
DIMENSIONS: INCHES		CHK M.PERCHEKKE 02FEB05	
TOLERANCES UNLESS OTHERWISE SPECIFIED:		APVD M.PERCHEKKE	NAME
0 PLC ±.01	1 PLC ±.01	PRODUCT SPEC	RIGHT ANGLE HEADER ASSY W/GUIDES MULTI-BEAM XL
2 PLC ±.005	3 PLC ±.005	APPLICATION SPEC	
4 PLC ±.0020	ANGLES ±.2°	FINISH	SIZE CAGE CODE DRAWING NO RESTRICTED TO
MATERIAL		114-13038	A100779C=6450121
FINISH		WEIGHT	CUSTOMER DRAWING SCALE N/A SHEET 1 OF 13 REV G2

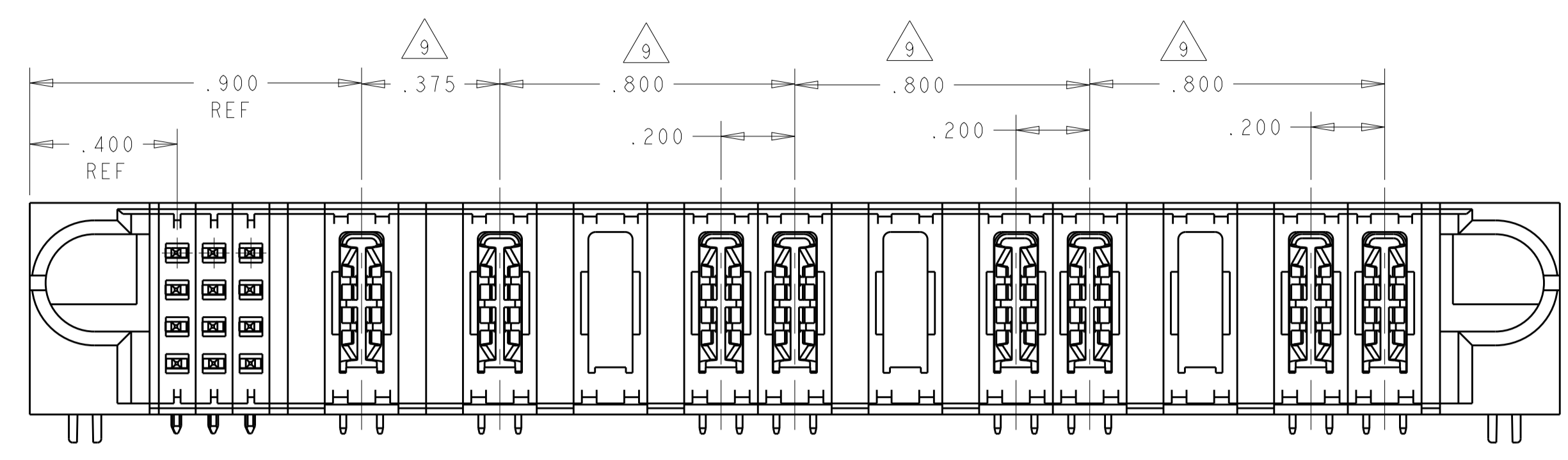
THIS DRAWING IS UNPUBLISHED. RELEASED FOR PUBLICATION 20
 © COPYRIGHT 20 TE CONNECTIVITY ALL RIGHTS RESERVED.

LOC	DIST	REVISIONS					
		P	LTN	DESCRIPTION	DATE	DWN	APVD
ES	00	-	-	SEE SHEET 1	-	-	-

DIM U	DIM T	DIM M	DIM R	DIM D	DIM K	DIM L	DESCRIPTION	PART NUMBER
1.125	-	-	-	1.175	.400	1.475	32S	3-6450121-0
.800	-	-	-	.850	.375	1.150	20S	2-6450121-9
1.875	-	-	-	1.875	.400	2.175	60S	2-6450121-8
2.950	.200	-	1.050	3.000	.375	3.300	24S + 10P	2-6450121-7
2.650	.250	-	1.050	2.700	.375	3.000	24S + 7P	2-6450121-5
2.400	.250	-	1.050	2.450	.375	2.750	24S + 6P	2-6450121-4
2.900	.250	-	1.050	2.950	.375	3.250	24S + 8P	2-6450121-3
2.000	-	-	-	2.050	.375	2.350	68S	2-6450121-2
1.100	-	-	-	1.150	.375	1.450	32S	2-6450121-1
6.075	.200	-	1.375	6.125	.375	6.425	36S + 24P	2-6450121-0
4.025	Δ	-	2.125	4.075	.375	4.375	60S + 8P	1-6450121-9
2.925	.200	-	1.025	2.975	.375	3.275	24S + 10P	1-6450121-8
2.400	.250	-	1.050	2.450	.375	2.750	24S + 6P	1-6450121-6
1.700	.250	-	.850	1.750	.375	2.050	16S+4P	1-6450121-5
3.325	-	-	-	3.375	.400	3.675	120S	1-6450121-3
4.400	.250	-	1.050	4.450	.375	4.750	24S + 14P	1-6450121-2
1.900	.250	-	1.050	1.950	.375	2.250	24S + 4P	1-6450121-1
1.800	.250	-	.950	1.850	.375	2.150	20S + 4P	1-6450121-0
1.800	.250	-	.950	1.850	.375	2.150	20S + 4P	6450121-4
1.850	.300	-	1.125	1.900	.375	2.200	24S + 3ACP	6450121-3
2.400	.250	-	1.050	2.450	.375	2.750	24S + 6P	6450121-2
3.800	Δ	-	.900	3.850	.400	4.150	12S + 11P	6450121-1

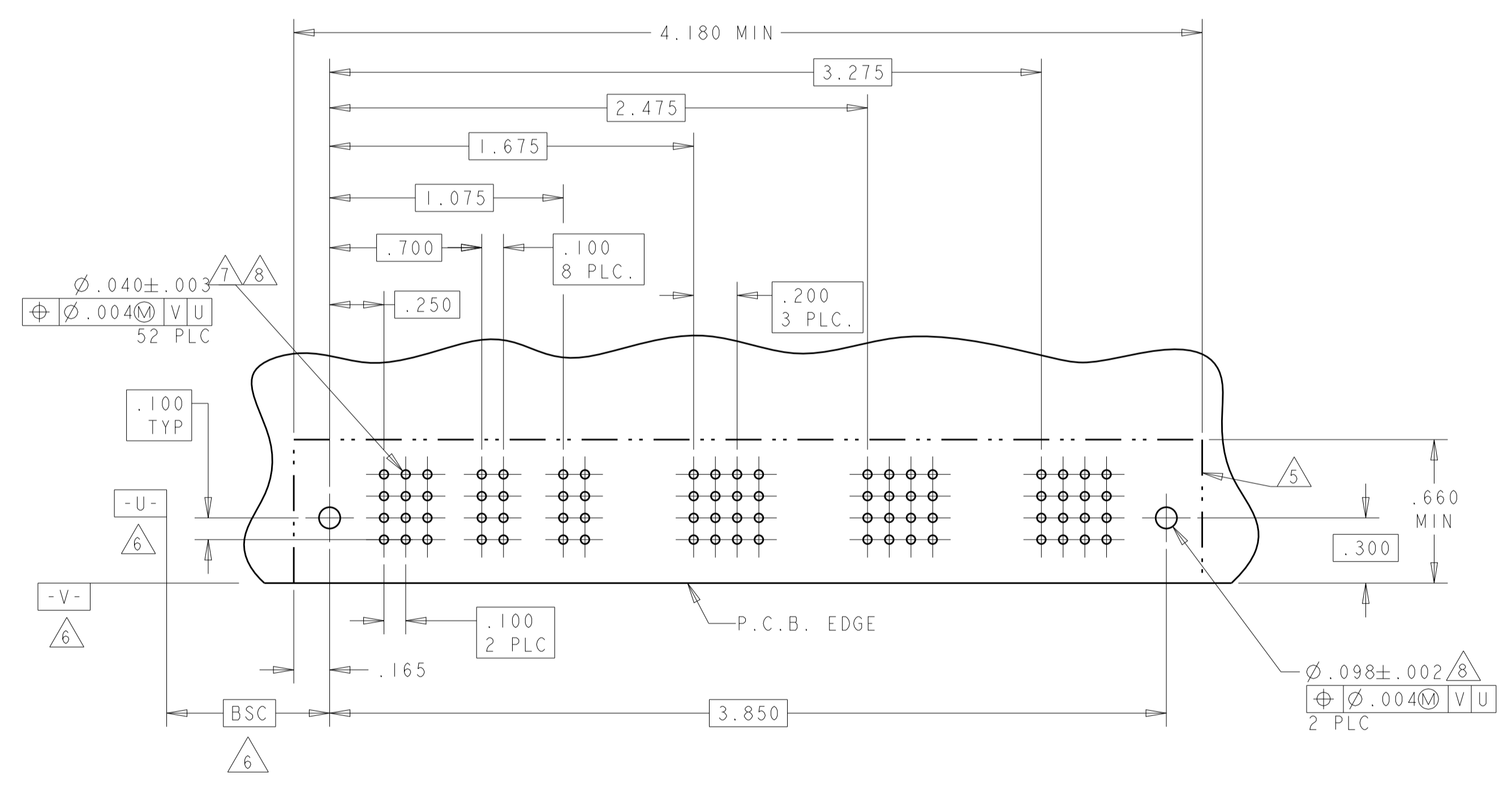
THIS DRAWING IS A CONTROLLED DOCUMENT.		DWN R. GRZYBOWSKI CHK M. PERCHERKE	02FEB05 02FEB05	 TE Connectivity
DIMENSIONS: INCHES	TOLERANCES UNLESS OTHERWISE SPECIFIED:	APVD M. PERCHERKE	NAME RIGHT ANGLE HEADER ASSY W/GUIDES MULTI-BEAM XL	
	0 PLC ±. 2 PLC ±.01 3 PLC ±.005 4 PLC ±.0020 ANGLES ±.0020	PRODUCT SPEC 108-1973	APPLICATION SPEC 114-13038	SIZE A100779
MATERIAL	FINISH	WEIGHT	RESTRICTED TO	SCALE N/A
CUSTOMER DRAWING		DRAWING NO 6450121		SHEET 2 OF 13

LOC	DIST	REVISIONS			
ES	00	REV	DATE	BY	APPV
		1			
		2			



SCALE 3:1

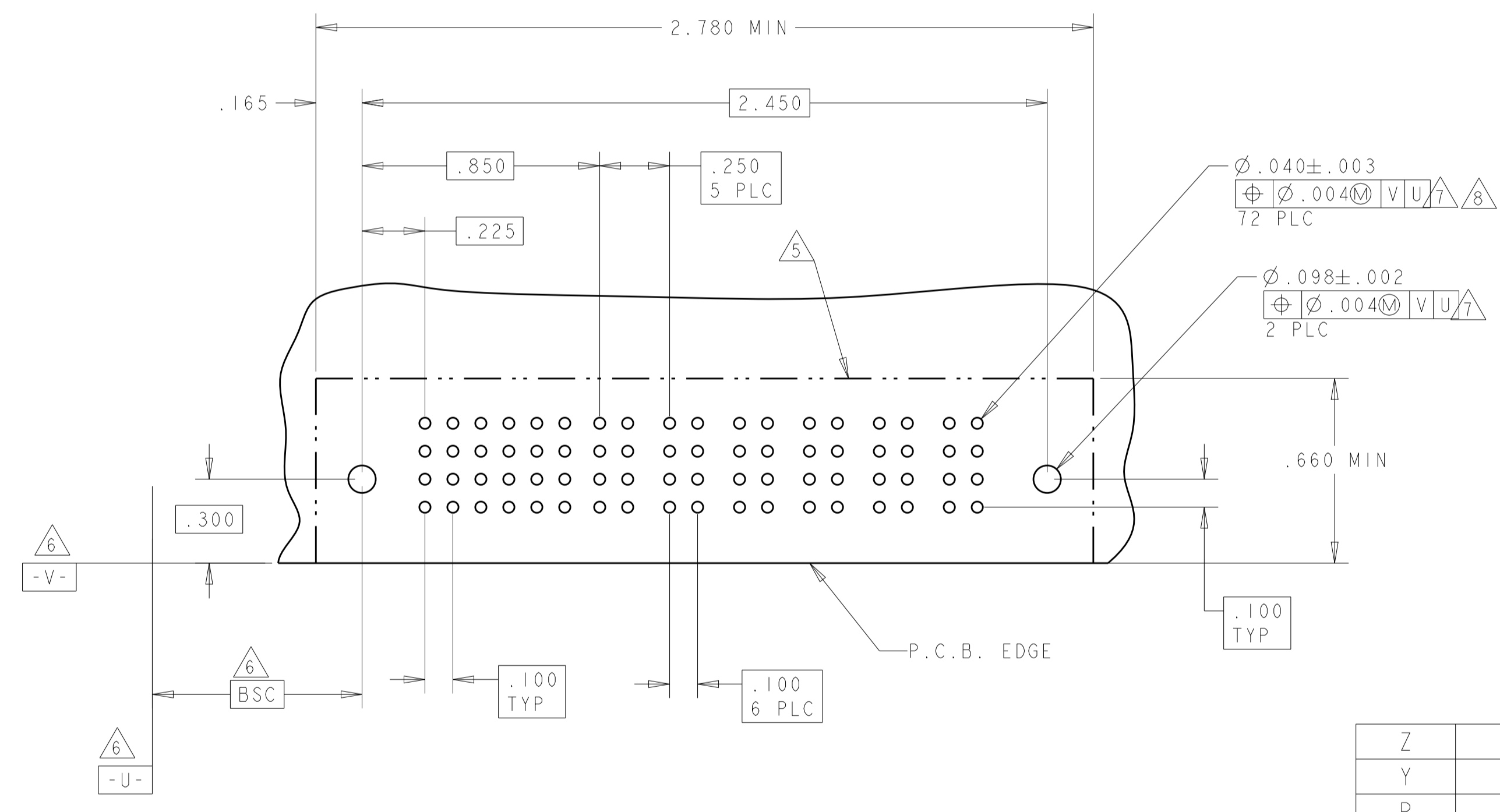
PART NUMBER	ROWS	SIGNAL			POWER							HD			
		1	2	3	P1	P2	P3	P4	P5	P6	P7		P8	P9	P10
6450121-1	D C B A	J	J	J	PM	PM		PM	PM		PM	PM		PM	PM
12S + 11P		K	K	K											
		N	N	N											
		S	S	S											



PART NUMBER	ROWS	SIGNAL						POWER						HD
		1	2	3	4	5	6	P1	P2	P3	P4	P5	P6	
6450121-2	D C B A	J	J	J	J	J	J	PM	PM	PM	PM	PM	PM	
24S + 6P		K	K	K	K	K	K							
		N	N	N	N	N	N							
		S	S	S	S	S	S							

PART NUMBER	ROWS	SIGNAL						POWER						HD
		1	2	3	4	5	6	P1	P2	P3	P4	P5	P6	
2-6450121-4	D C B A	J	J	J	J	J	J		PM	PM	PM	PM		
24S + 6P		K	K	K	K	K	K							
		N	N	N	N	N	N							
		S	S	S	S	S	S							

NO CONTACTS LOADED



6450121-2 & 2-6450121-4 RECOMMENDED PCB LAYOUT

Z	STD	.090	D
Y	STD	.090	C
R	STD	.090	B
O	STD	.090	A
E	MLBF	.135	D
F	MLBF	.135	C
G	MLBF	.135	B
H	MLBF	.135	A
J	STD	.135	D
K	STD	.135	C
N	STD	.135	B
S	STD	.135	A
CODE	MATING SEQUENCE	TAIL LENGTH	ROW
SIGNAL CONTACT			

CODE	TAIL LENGTH
PA	.090
PM	.135
CODE	TAIL LENGTH
POWER CONTACT	

THIS DRAWING IS A CONTROLLED DOCUMENT. DIMENSIONS: INCHES. TOLERANCES UNLESS OTHERWISE SPECIFIED: 0 PLC ±.01, 1 PLC ±.01, 2 PLC ±.01, 3 PLC ±.005, 4 PLC ±.002, ANGLES ±.020. MATERIAL: FINISH: .

OWN: R. GRZYBOWSKI, CHK: M. PERCHERKE, APVD: M. PERCHERKE. PRODUCT SPEC: 108-1973, APPLICATION SPEC: 114-13038, WEIGHT: .

STE TE Connectivity. RIGHT ANGLE HEADER ASSY W/GUIDES MULTI-BEAM XL. SIZE: A100779, CAGE CODE: 6450121, DRAWING NO: 3 OF 13, REV: G2. CUSTOMER DRAWING. SCALE: N/A.

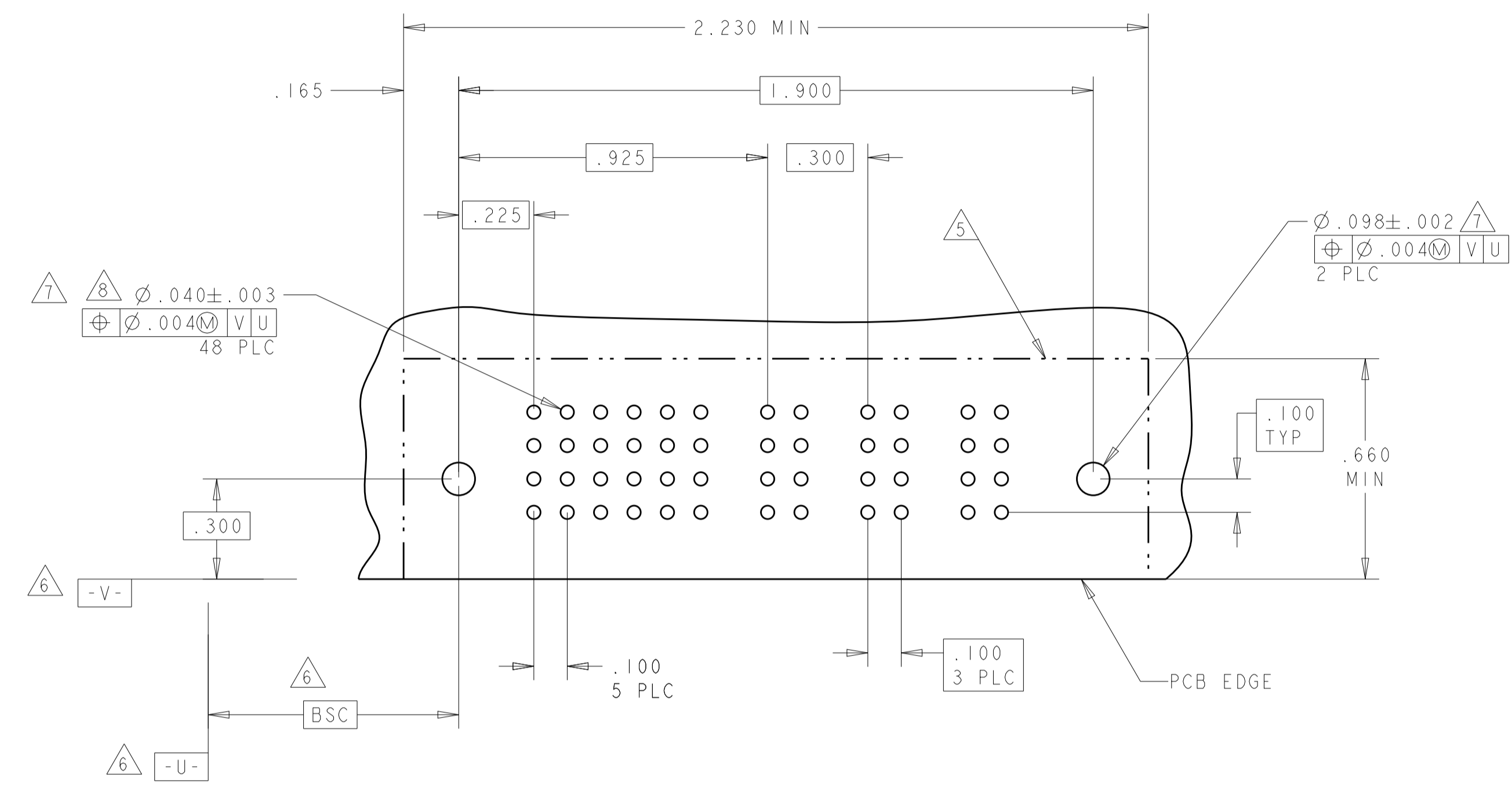
LOC		DIST		REVISIONS			
ES	00	P	LTN	DESCRIPTION	DATE	OWN	APVD
				SEE SHEET 1			

PART NUMBER	ROWS	SIGNAL						POWER		
		1	2	3	4	5	6	P1	P2	P3
6450121-3	D	J	J	J	J	J	J	PM	PM	PM
	C	K	K	K	K	K	K			
	B	N	N	N	N	N	N			
	A	S	S	S	S	S	S			
24S + 3ACP		HD								HD

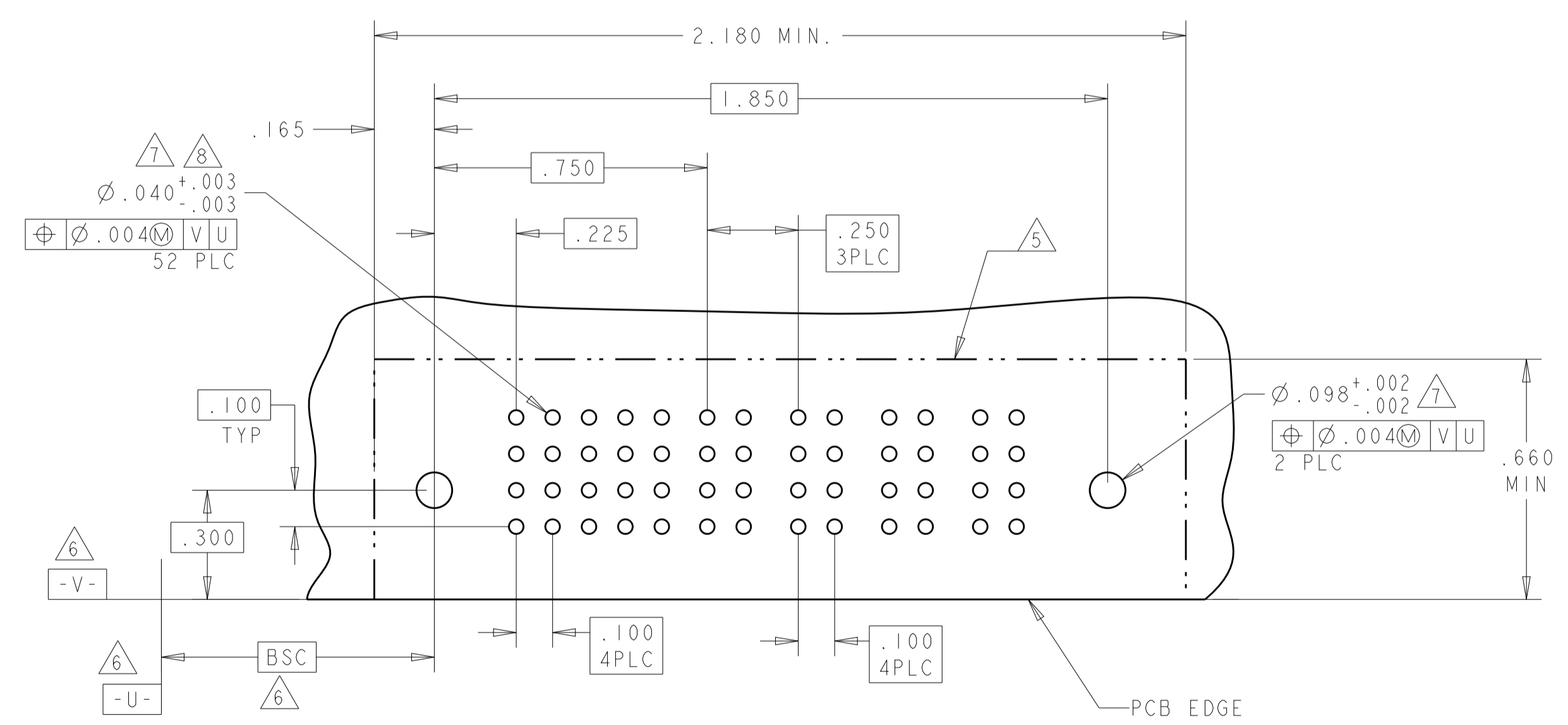
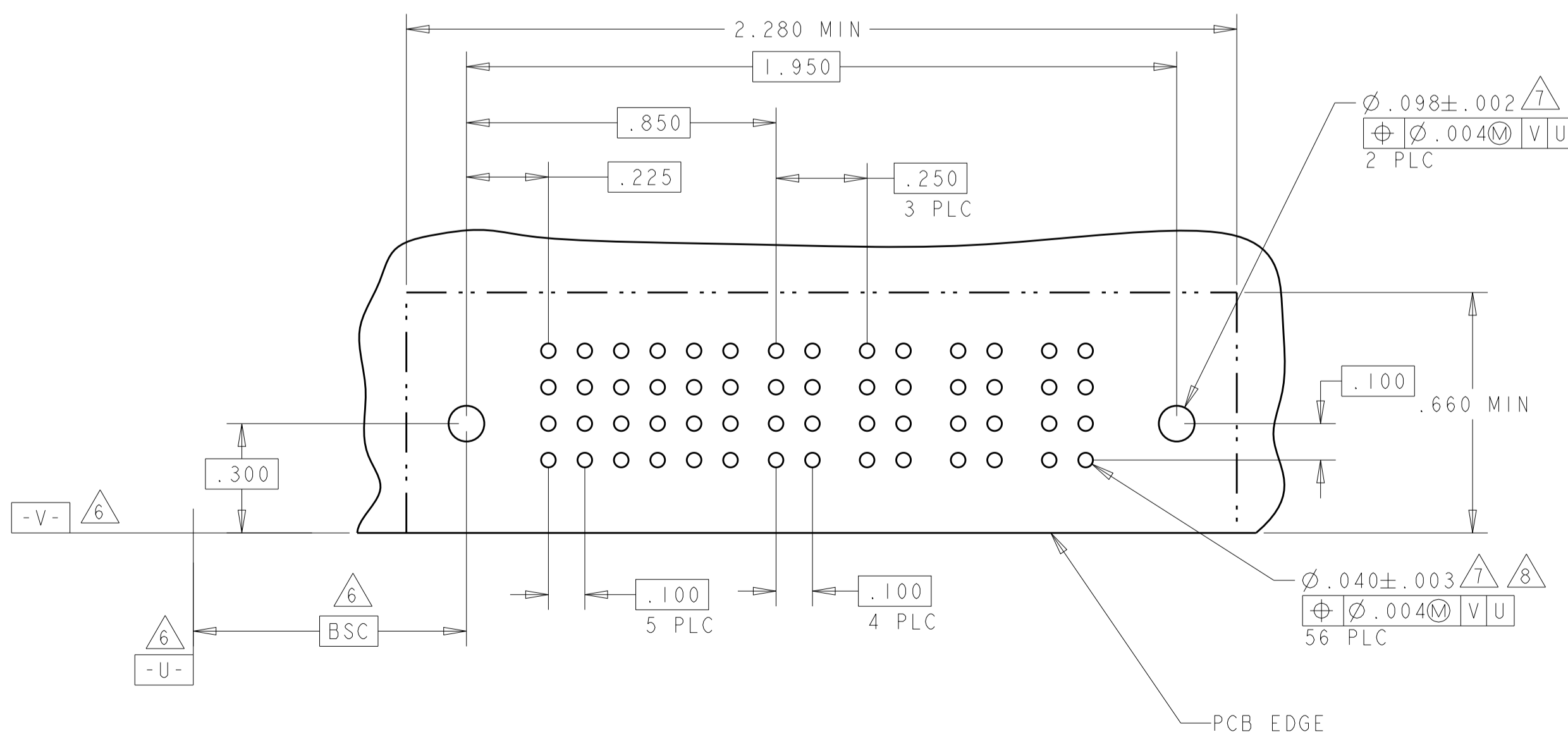
PART NUMBER	ROWS	SIGNAL					POWER			
		1	2	3	4	5	P1	P2	P3	P4
6450121-4	D	J	J	J	J	J	PM	PM	PM	PM
	C	K	K	K	K	K				
	B	N	N	N	N	N				
	A	S	S	S	S	S				
20S + 4P		HD								HD

PART NUMBER	ROWS	SIGNAL					POWER			
		1	2	3	4	5	P1	P2	P3	P4
I-6450121-0	D	J	J	J	J	J	PM	PM	PM	PM
	C	K	K	K	K	K				
	B	N	N	N	N	N				
	A	S	S	S	S	S				
20S + 4P		HD								HD

NO CONTACT LOADED



PART NUMBER	ROWS	SIGNAL						POWER			
		1	2	3	4	5	6	P1	P2	P3	P4
I-6450121-1	D	J	J	J	J	J	J	PM	PM	PM	PM
	C	K	K	K	K	K	K				
	B	N	N	N	N	N	N				
	A	S	S	S	S	S	S				
24S + 4P		HD									HD

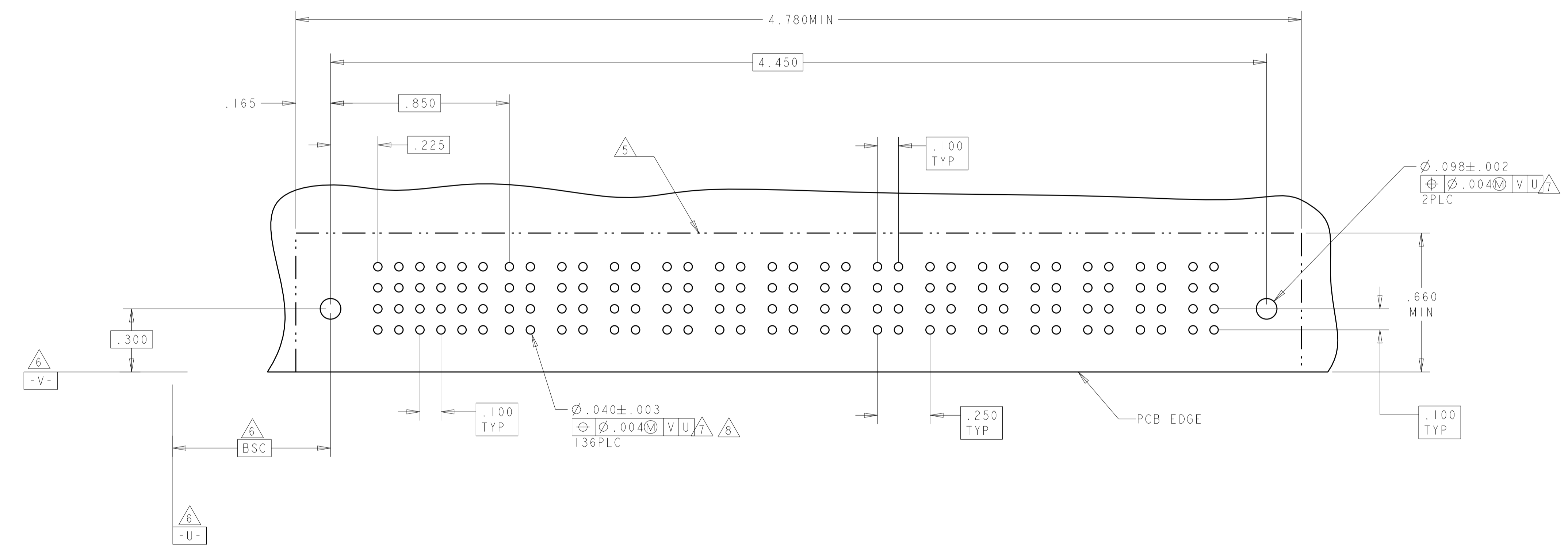


PCB LAYOUT FOR P/N: 6450121-4, I-6450121-0

THIS DRAWING IS A CONTROLLED DOCUMENT.		OWN: R. GRZYBOWSKI 02FEB05	TE Connectivity
DIMENSIONS: INCHES		CHK: M. PERCHERKE 02FEB05	
TOLERANCES UNLESS OTHERWISE SPECIFIED:		APVD: M. PERCHERKE	NAME: RIGHT ANGLE HEADER ASSY W/GUIDES MULTI-BEAM XL
0 PLC ± .01 1 PLC ± .01 2 PLC ± .01 3 PLC ± .005 4 PLC ± .002 ANGLES ± .020		PRODUCT SPEC: 108-1973	SIZE: 114-13038
MATERIAL: FINISH:		APPLICATION SPEC: 114-13038	RESTRICTED TO: A100779
		WEIGHT: CUSTOMER DRAWING	SCALE: N/A SHEET 4 OF 13 REV: G2

LOC	DIST	REVISIONS					
ES	00	P	LTN	DESCRIPTION	DATE	DMN	APVD
		-		SEE SHEET 1			

PART NUMBER	ROWS	SIGNAL						POWER																	
		1	2	3	4	5	6	P1	P2	P3	P4	P5	P6	P7	P8	P9	P10	P11	P12	P13	P14				
1-6450121-2	D	J	J	J	J	J	J	PM	PM	PM	PM	PM	PM	PM	PM	PM	PM	PM	PM	PM	PM	PM			
	C	K	K	K	K	K	K																		
	B	N	N	N	N	N	N																		
	A	S	S	S	S	S	S																		
24S + 14P																									



THIS DRAWING IS A CONTROLLED DOCUMENT. DWN: R. GRZYBOWSKI 02FEB05
 CHK: M. PERCHERKE 02FEB05

TE Connectivity

NAME: RIGHT ANGLE HEADER ASSY W/GUIDES MULTI-BEAM XL

PRODUCT SPEC: 108-1973
 APPLICATION SPEC: 114-13038

SIZE: A1 CAGE CODE: 6450121 DRAWING NO: 100779

MATERIAL: - FINISH: - WEIGHT: -

CUSTOMER DRAWING SCALE: N/A SHEET 5 OF 13 REV: G2

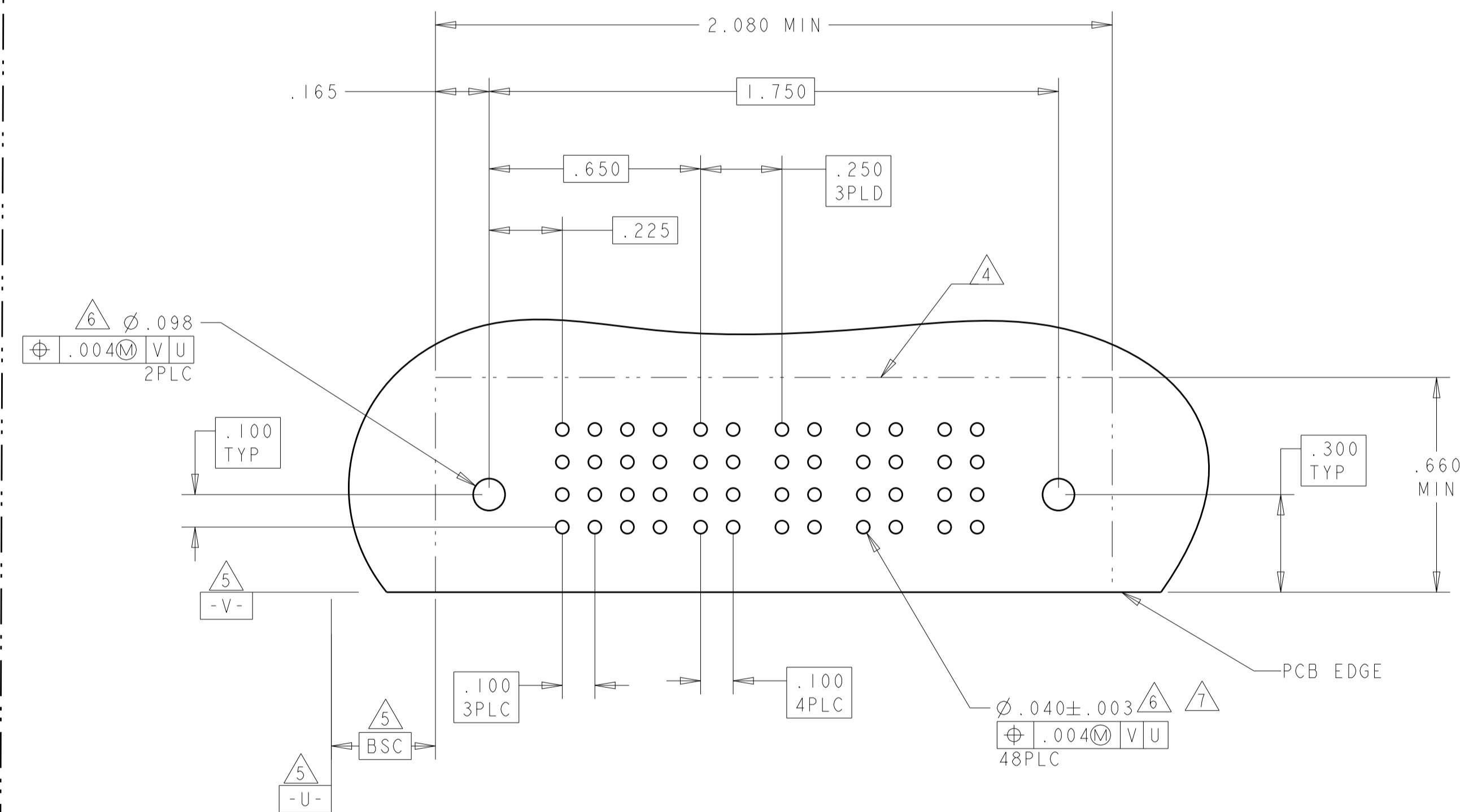
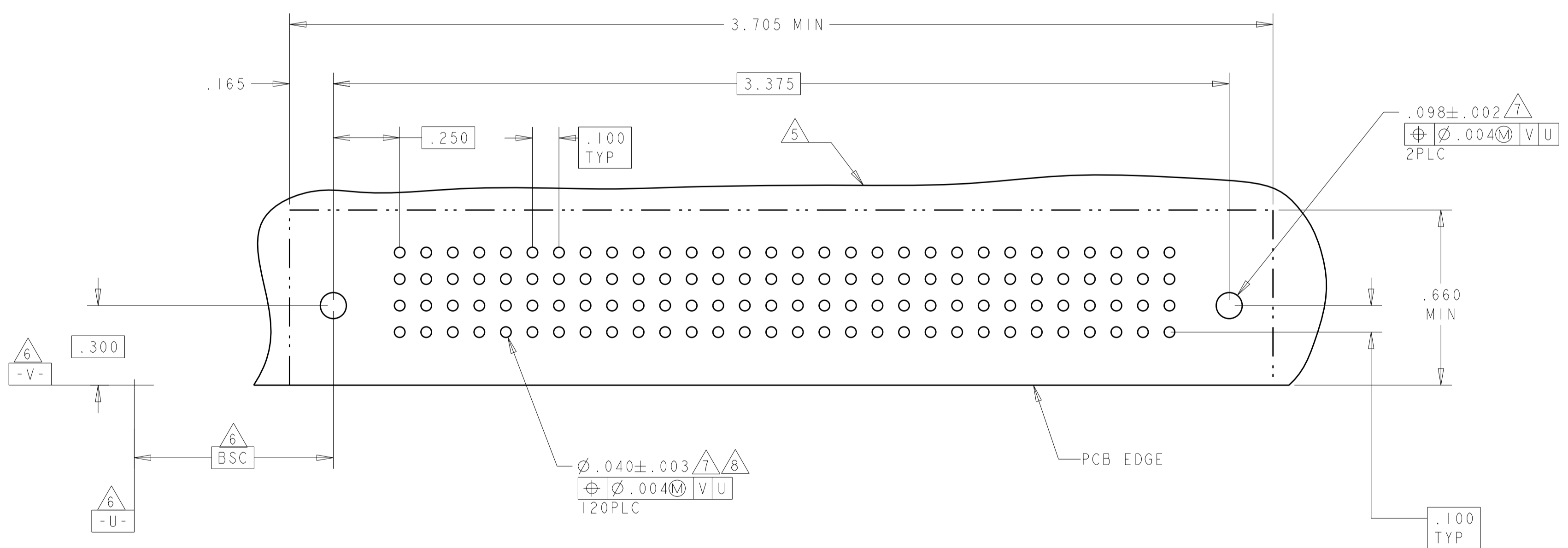
LOC		DIST		REVISIONS			
ES	00	P	LTN	DESCRIPTION	DATE	OWN	APVD
		-		SEE SHEET 1			

PART NUMBER	ROWS	SIGNAL																													
		1	2	3	4	5	6	7	8	9	10	11	12	13	14	15	16	17	18	19	20	21	22	23	24	25	26	27	28	29	30
1-6450121-3	D	E	E	E	E	E	E	E	E	E	E	E	E	E	E	E	E	E	E	E	E	E	E	E	E	E	E	E	E	J	
	C	F	F	F	F	F	F	F	F	F	F	F	F	F	F	F	F	F	F	F	F	F	F	F	F	F	F	F	F		
	B	G	G	G	G	G	G	G	G	G	G	G	G	G	G	G	G	G	G	G	G	G	G	G	G	G	G	G	G		
	A	S	S	H	H	H	H	H	H	H	H	H	S	S	H	H	H	H	H	H	H	H	H	H	H	H	H	H	H	H	

NO CONTACTS LOADED

PART NUMBER	ROWS	SIGNAL				POWER			
		1	2	3	4	P1	P2	P3	P4
1-6450121-5	D	J	J	J	J				
	C	K	K	K	K	PM	PM	PM	PM
	B	N	N	N	N				
	A	S	S	S	S				

16S + 4P



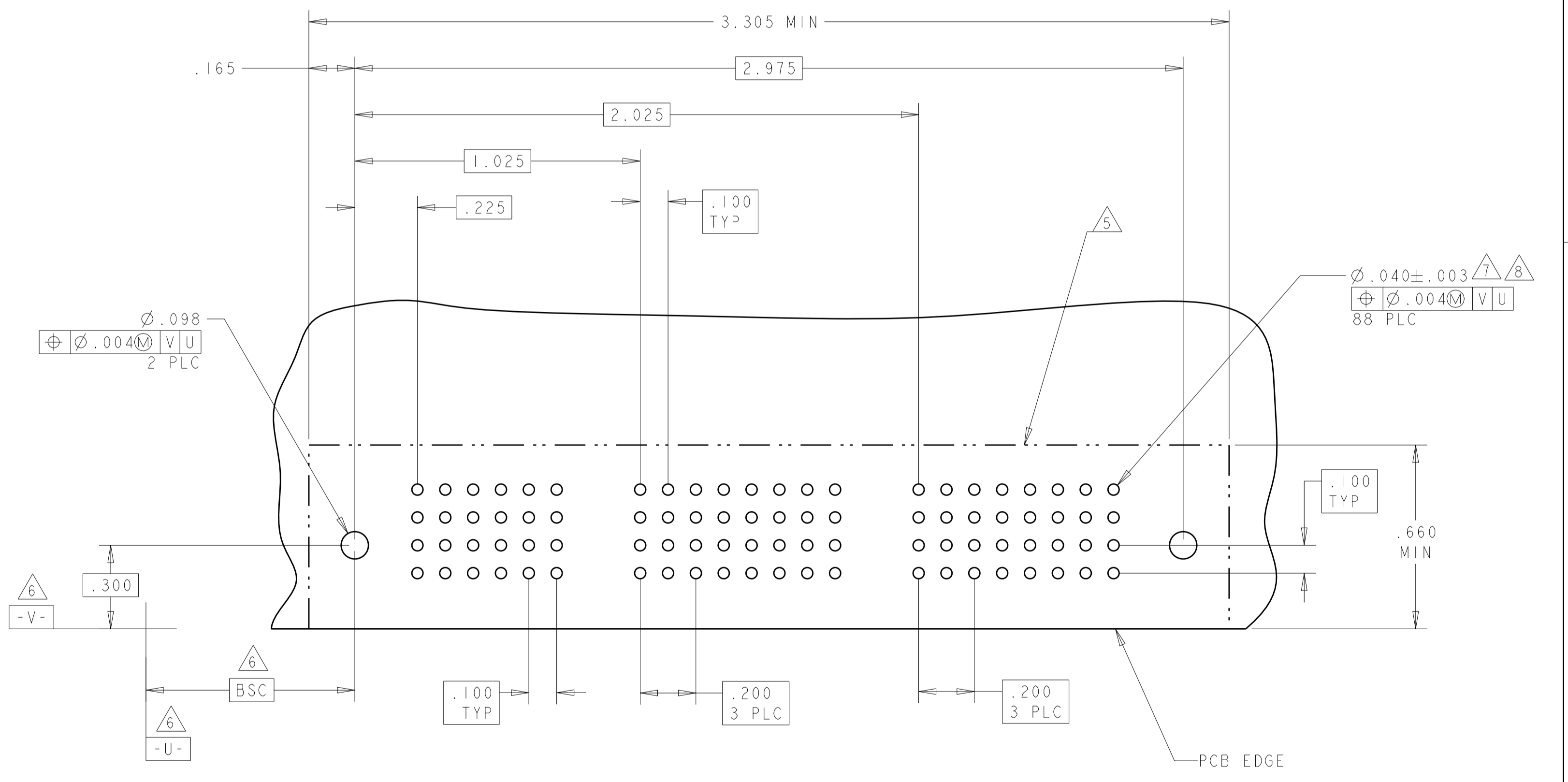
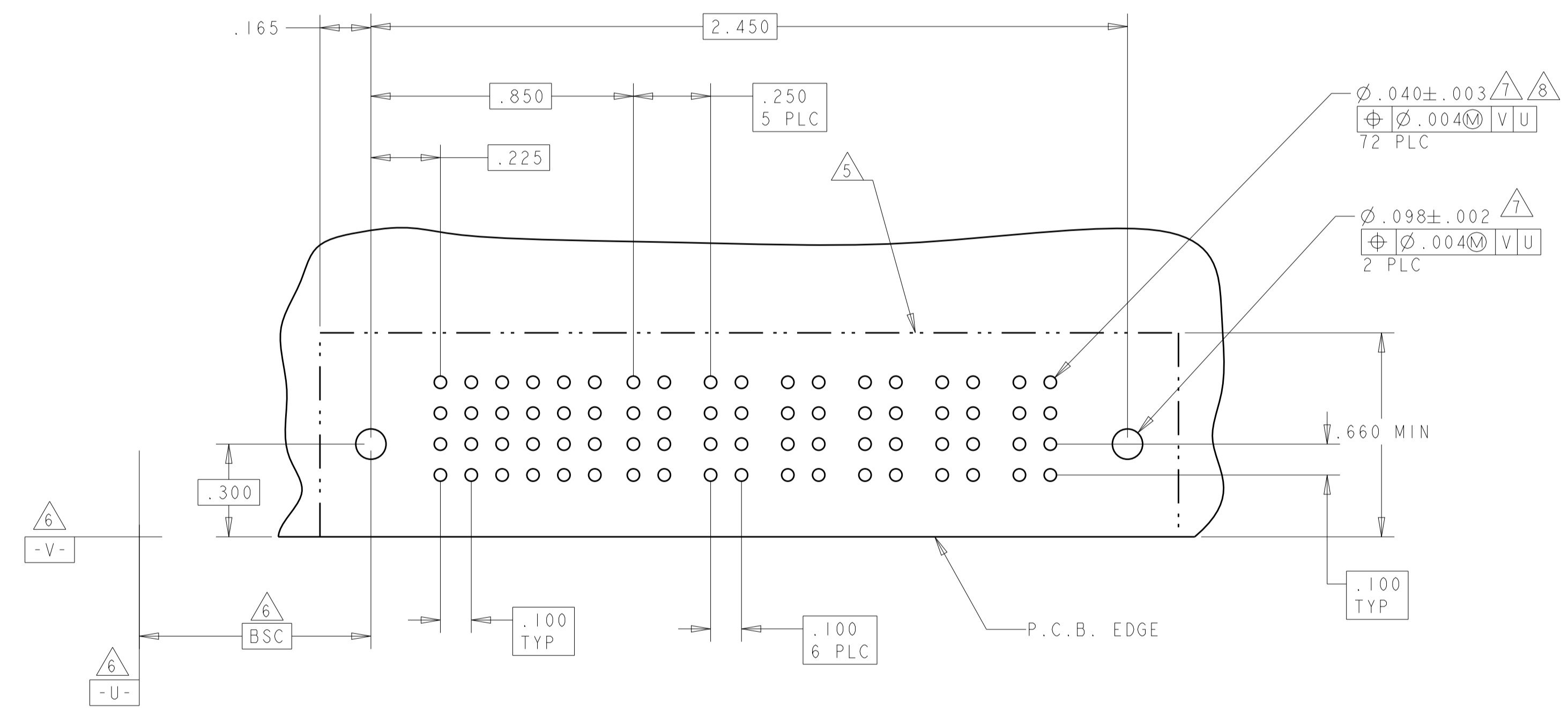
THIS DRAWING IS A CONTROLLED DOCUMENT.		OWN: R. GRZYBOWSKI 02FEB05	TE Connectivity
DIMENSIONS: INCHES		CHK: M. PERCHERKE 02FEB05	
TOLERANCES UNLESS OTHERWISE SPECIFIED:		APVD: M. PERCHERKE	NAME: RIGHT ANGLE HEADER ASSY W/GUIDES MULTI-BEAM XL
0 PLC ±.01	1 PLC ±.01	PRODUCT SPEC: 108-1973	SIZE: 114-13038
2 PLC ±.01	3 PLC ±.005	APPLICATION SPEC: 114-13038	RESTRICTED TO: -
4 PLC ±.0020	ANGLES ±.020	WEIGHT: -	SCALE: N/A
MATERIAL: -	FINISH: -	CUSTOMER DRAWING	SHEET 6 OF 13

LOC		DIST		REVISIONS			
ES	00	P	LTN	DESCRIPTION	DATE	DMN	APVD
				SEE SHEET 1			

PART NUMBER	ROWS	SIGNAL						POWER					
		1	2	3	4	5	6	P1	P2	P3	P4	P5	P6
1-6450121-6	D C B A	J	J	J	J	J	J	PM	PM	PM	PM	PM	PM
		K	K	K	K	K	K						
		N	N	N	N	N	G						
		S	S	S	S	S							
24S + 6P													

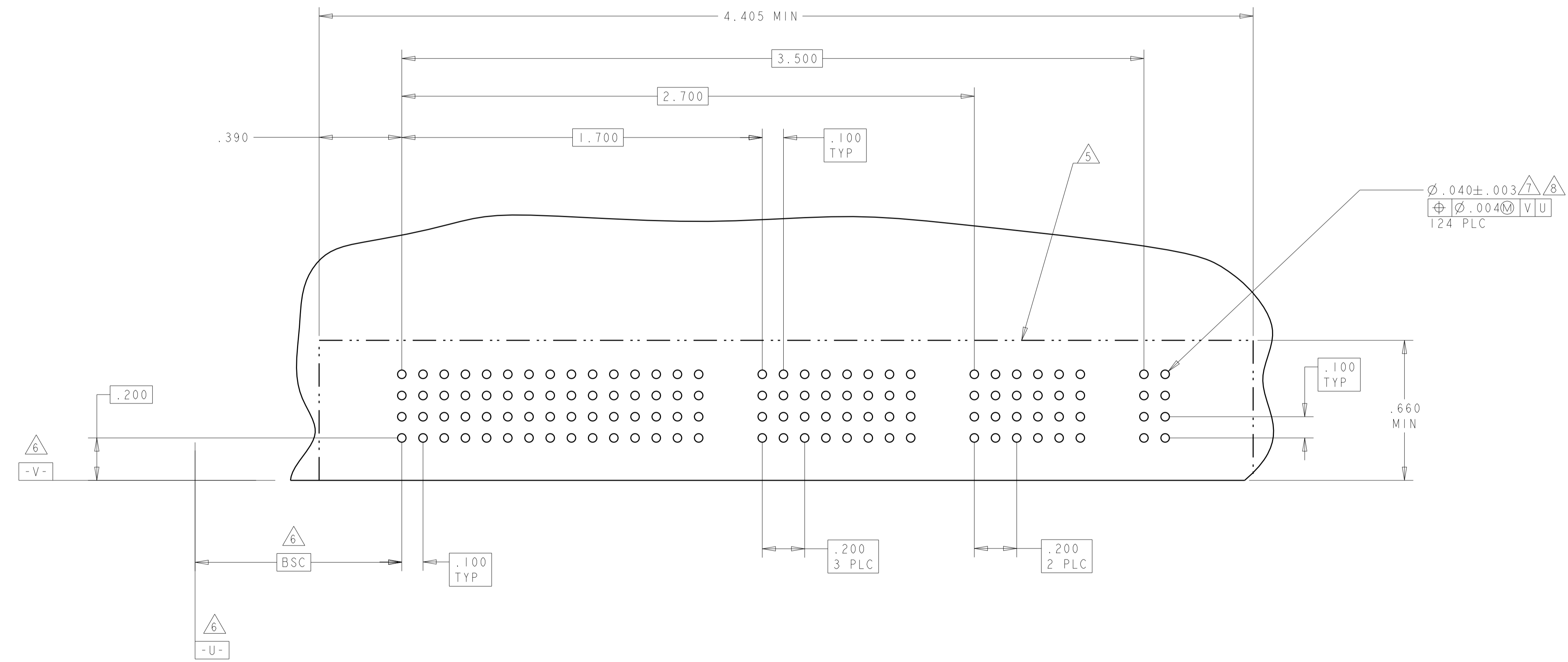
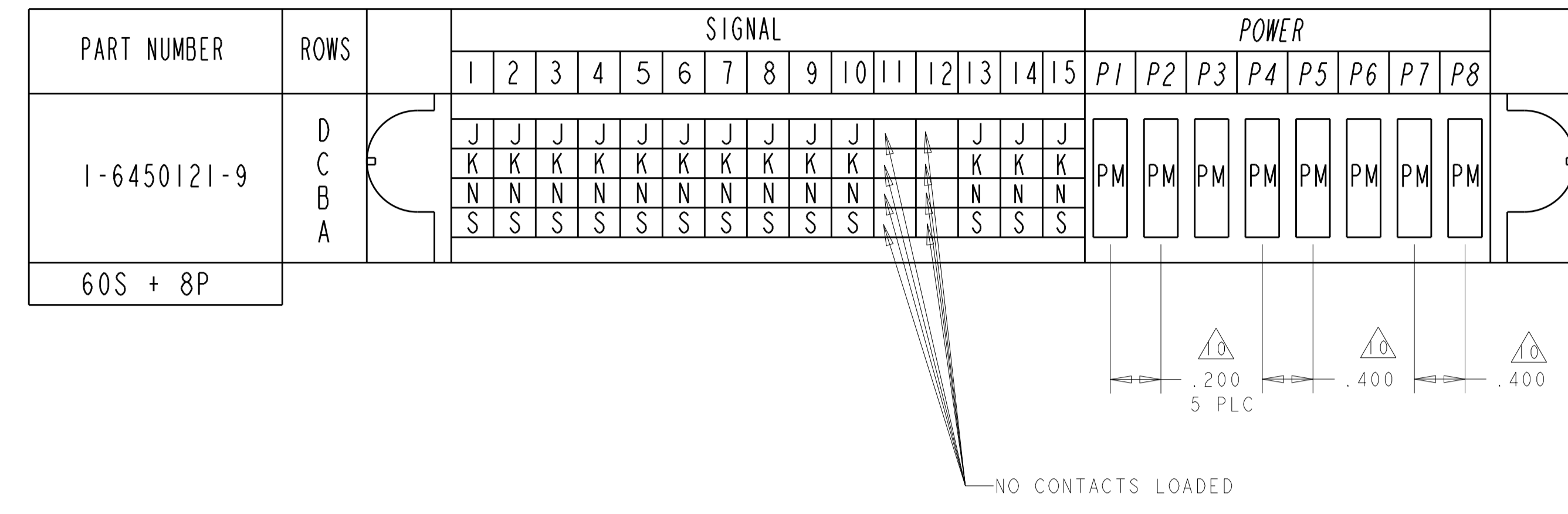
PART NUMBER	ROWS	SIGNAL						POWER									
		1	2	3	4	5	6	P1	P2	P3	P4	P5	P6	P7	P8	P9	P10
1-6450121-8	D C B A	J	J	J	J	J	J										
		K	K	K	K	K	K	PM	PM	PM	PM						
		N	N	N	N	N	S										
		S	S	S	S												
24S + 10P																	

NO CONTACTS LOADED



THIS DRAWING IS A CONTROLLED DOCUMENT.		DMN: R. GRZYBOWSKI 02FEB05	TE Connectivity
DIMENSIONS: INCHES		CHK: M. PERCHERKE 02FEB05	
TOLERANCES UNLESS OTHERWISE SPECIFIED:		APVD: M. PERCHERKE	NAME: RIGHT ANGLE HEADER ASSY W/GUIDES MULTI-BEAM XL
0 PLC ±.01		PRODUCT SPEC: 108-1973	SIZE: A100779
1 PLC ±.01		APPLICATION SPEC: 114-13038	CAGE CODE: C=6450121
2 PLC ±.01		WEIGHT: -	RESTRICTED TO: -
3 PLC ±.005		CUSTOMER DRAWING	SCALE: N/A
4 PLC ±.0020			SHEET 7 OF 13
ANGLES: ±.2°			REV: G2

LOC		DIST		REVISIONS			
ES	00	P	LTN	DESCRIPTION	DATE	DWN	APVD
-	-	-	-	SEE SHEET 1	-	-	-



THIS DRAWING IS A CONTROLLED DOCUMENT.

DWN: B. GRZYBOWSKI 02FEB05
 CHK: M. PERCHERKE 02FEB05

TE CONNECTIVITY

NAME: RIGHT ANGLE HEADER ASSY W/GUIDES MULTI-BEAM XL

PRODUCT SPEC: 108-1973
 APPLICATION SPEC: 114-13038

SIZE: A100779 C=6450121
 CAGE CODE: 6450121

RESTRICTED TO: -

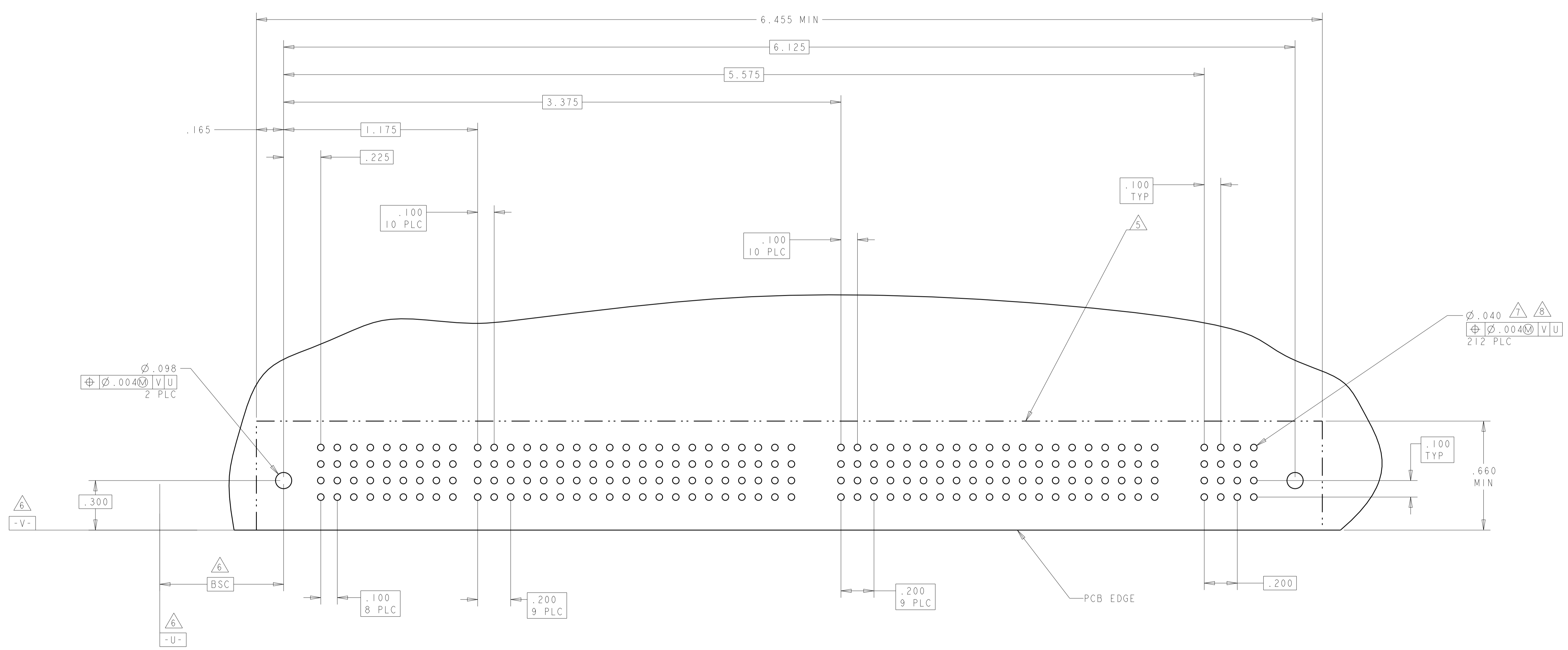
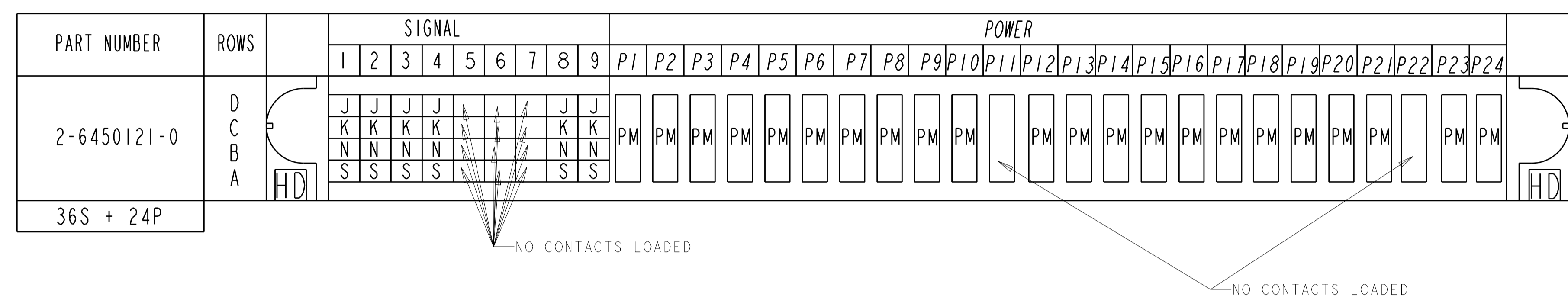
MATERIAL: -
 FINISH: -

WEIGHT: -

CUSTOMER DRAWING

SCALE: N/A SHEET 8 OF 13 REV G2

LOC	DIST	REVISIONS			
P	LTN	DESCRIPTION	DATE	DMN	APVD
-	-	SEE SHEET 1	-	-	-



THIS DRAWING IS A CONTROLLED DOCUMENT.		DMN R. GRZYBOWSKI 02FEB05	 TE Connectivity
DIMENSIONS: INCHES		CHK M. PERCHERKE 02FEB05	
TOLERANCES UNLESS OTHERWISE SPECIFIED: 0 PLC ±. 1 PLC ±.01 2 PLC ±.01 3 PLC ±.005 4 PLC ±.0020 ANGLES ±.020		APVD M. PERCHERKE	NAME RIGHT ANGLE HEADER ASSY W/GUIDES MULTI-BEAM XL
MATERIAL		PRODUCT SPEC 108-1973	SIZE 114-13038
FINISH		APPLICATION SPEC 114-13038	RESTRICTED TO
CUSTOMER DRAWING		WEIGHT	SCALE N/A
		REVISIONS	SHEET 9 OF 13

LOC	DIST	REVISIONS			
P	LTN	DESCRIPTION	DATE	DWN	APVD
-	-	SEE SHEET 1	-	-	-

PART NUMBER	ROWS	SIGNAL							
		1	2	3	4	5	6	7	8
2-6450121-1	D	J	J	J	J	J	J	J	J
	C	K	K	K	K	K	K	K	K
	B	N	N	N	N	N	N	N	N
	A	S	S	S	S	S	S	S	S

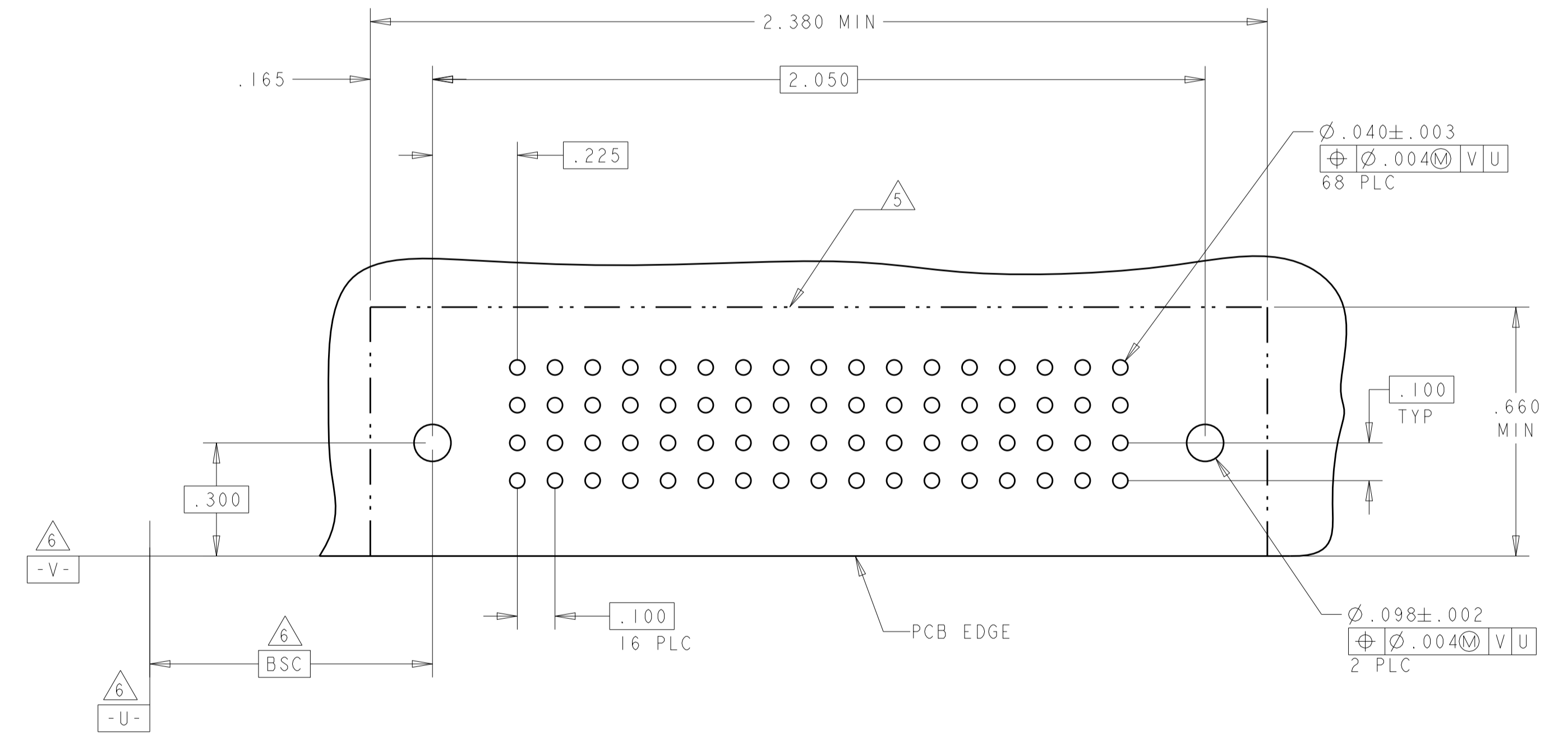
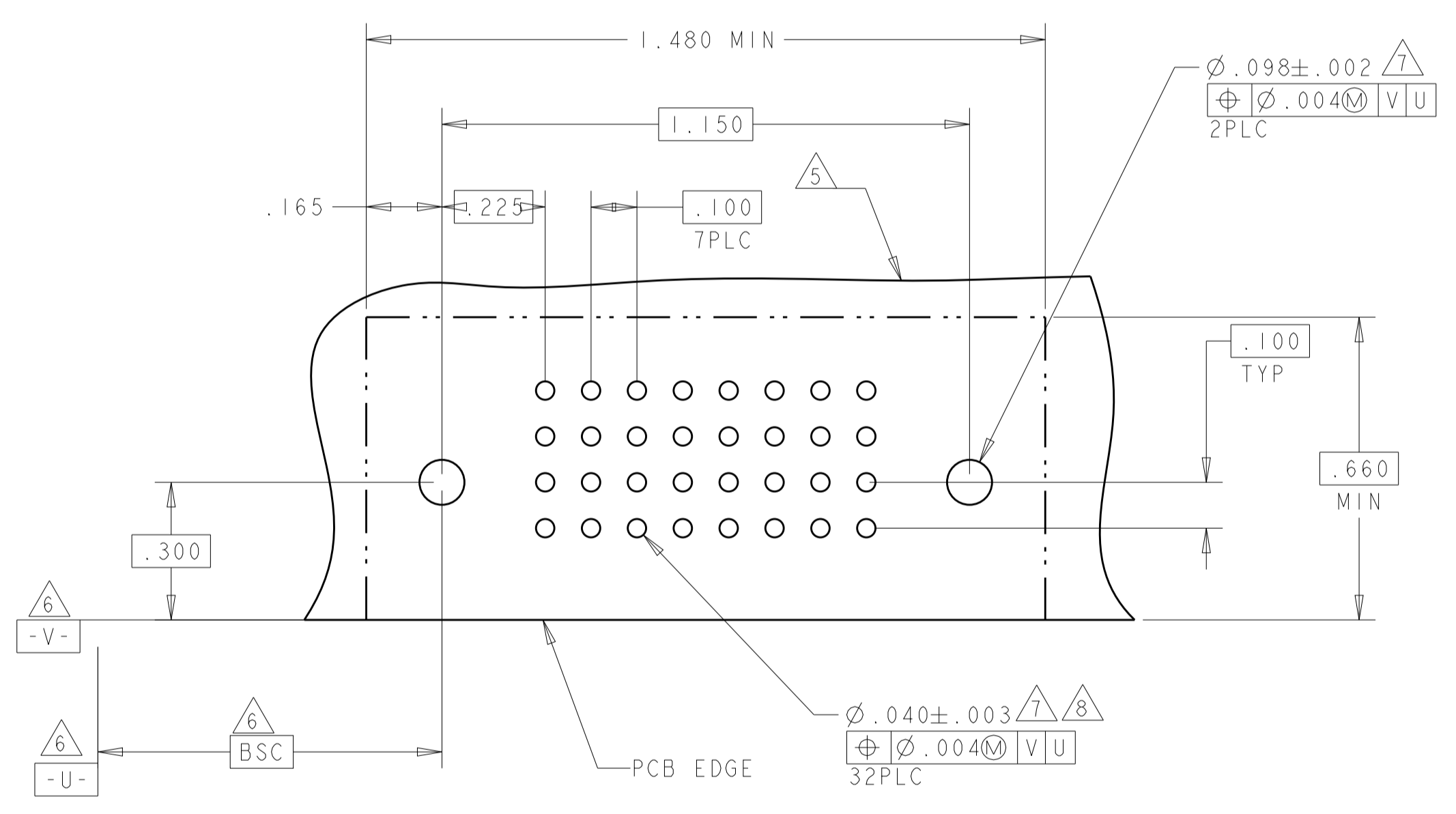
32S

PART NUMBER	ROWS	SIGNAL																	
		1	2	3	4	5	6	7	8	9	10	11	12	13	14	15	16	17	
2-6450121-2	D	J		J		J		J		J		J		J		J		J	
	C																		
	B	N		N		N		N		N		N		N		N		N	
	A	HD																	

68S

F

NO CONTACTS LOADED
50 PLC



THIS DRAWING IS A CONTROLLED DOCUMENT.

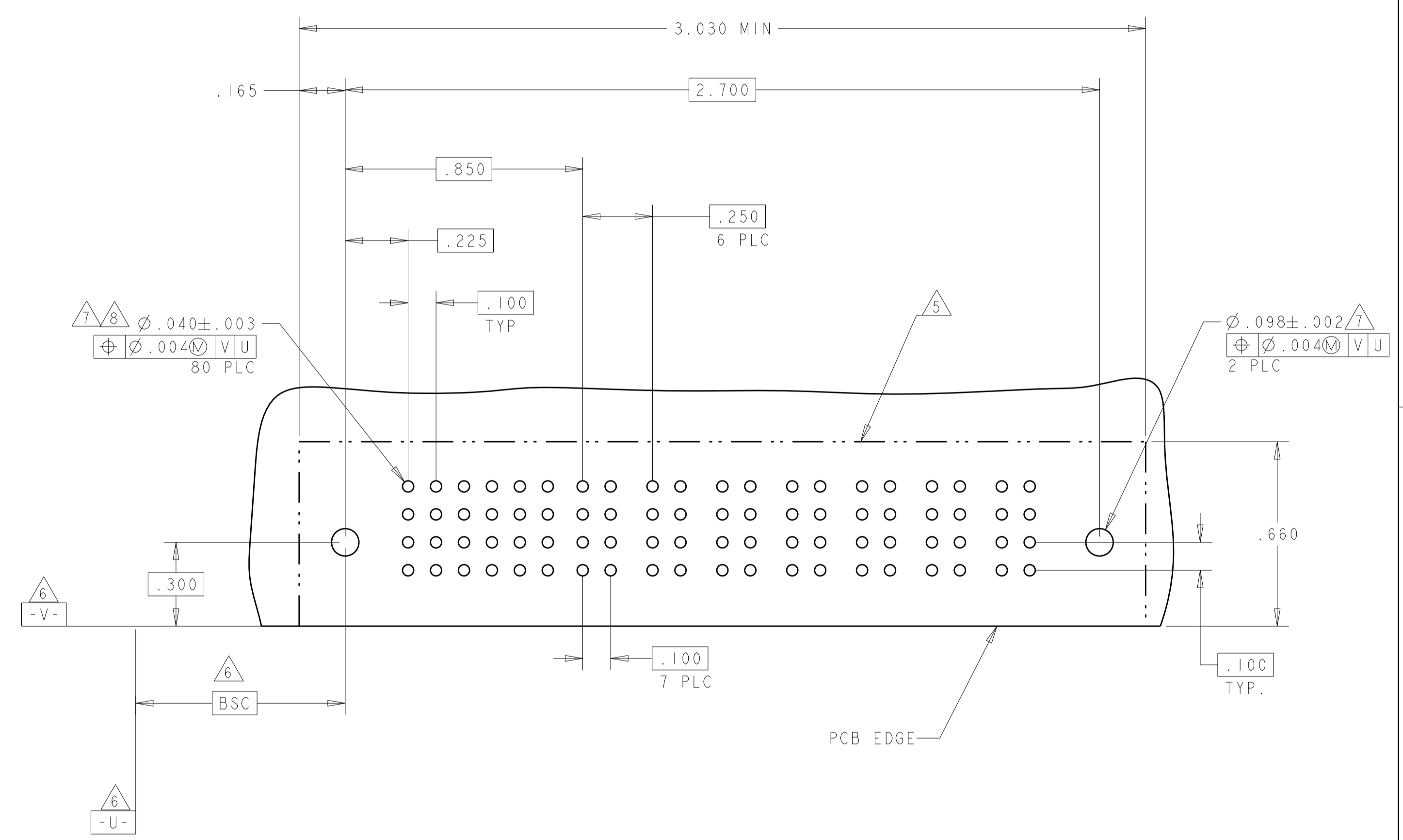
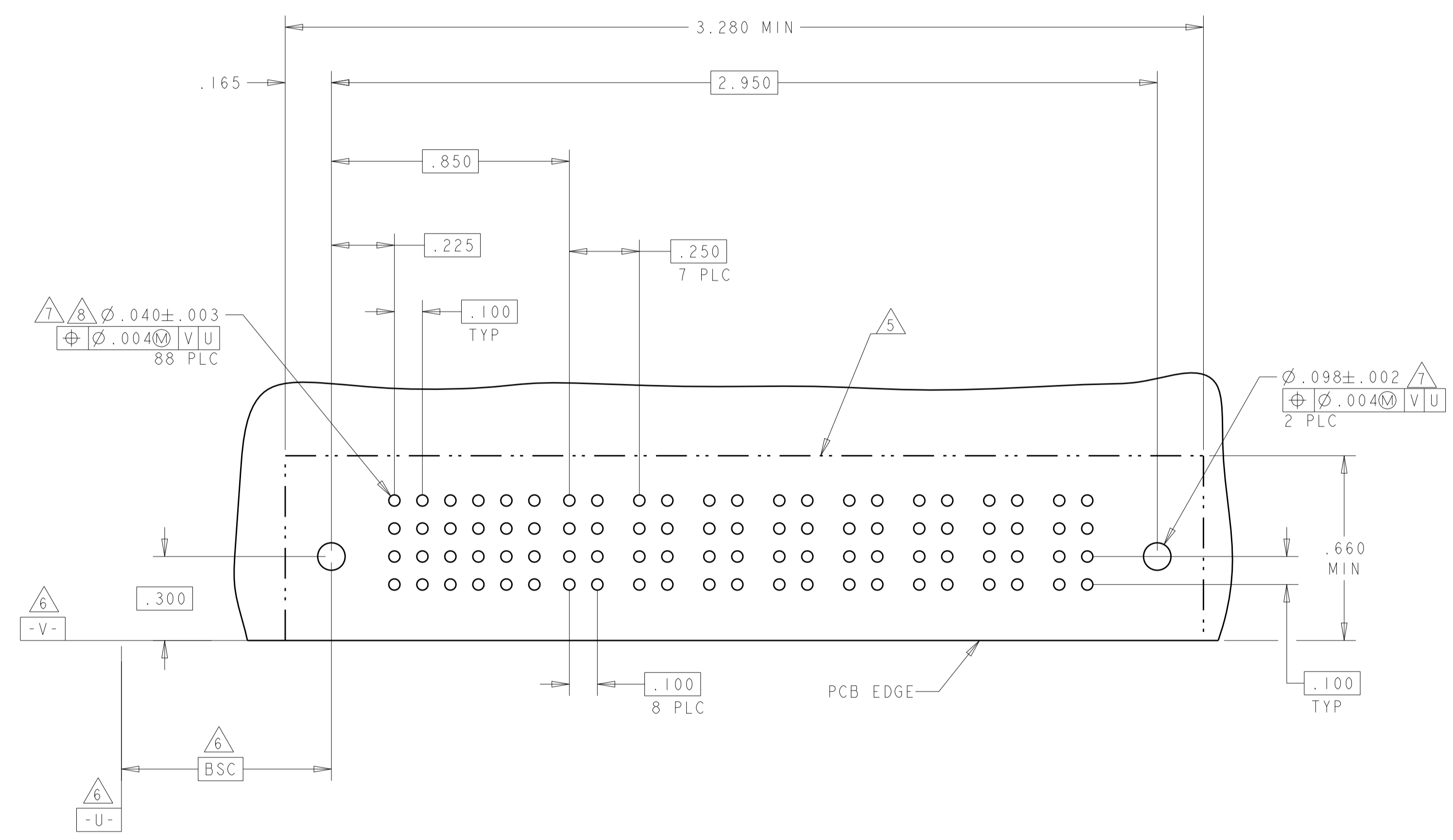
DIMENSIONS: INCHES	TOLERANCES UNLESS OTHERWISE SPECIFIED: 0 PLC ±. 1 PLC ±.01 2 PLC ±.01 3 PLC ±.005 4 PLC ±.0020 ANGLES ±.2°	DWN: R. GRZYBOWSKI 02FEB05 CHK: M. PERCHERKE 02FEB05 APVD: M. PERCHERKE	NAME: RIGHT ANGLE HEADER ASSY W/GUIDES MULTI-BEAM XL
MATERIAL:	FINISH:	PRODUCT SPEC: 108-1973 APPLICATION SPEC: 114-13038 WEIGHT:	SIZE: A1 CAGE CODE: 6450121 DRAWING NO: 100779
CUSTOMER DRAWING		SCALE: N/A	SHEET 10 OF 13 REV G2

4805 (3/11)

LOC	DIST	REV	DATE	BY	APPV
ES	00				
REVISIONS			DESCRIPTION	DATE	BY
			SEE SHEET 1		

PART NUMBER	ROWS	SIGNAL						POWER							
		1	2	3	4	5	6	P1	P2	P3	P4	P5	P6	P7	P8
2-6450121-3	D C B A	J	J	J	J	J	J	PM	PM	PM	PM	PM	PM	PM	PM
		K	K	K	K	K	K								
		N	N	N	N	N	N								
24S + 8P		S	S	S	S	S	S								

PART NUMBER	ROWS	SIGNAL						POWER						
		1	2	3	4	5	6	P1	P2	P3	P4	P5	P6	P7
2-6450121-5	D C B A	J	J	J	J	J	J	PM	PM	PM	PM	PM	PM	PM
		K	K	K	K	K	K							
		N	N	N	N	N	N							
24S + 7P		S	S	S	S	S	S							



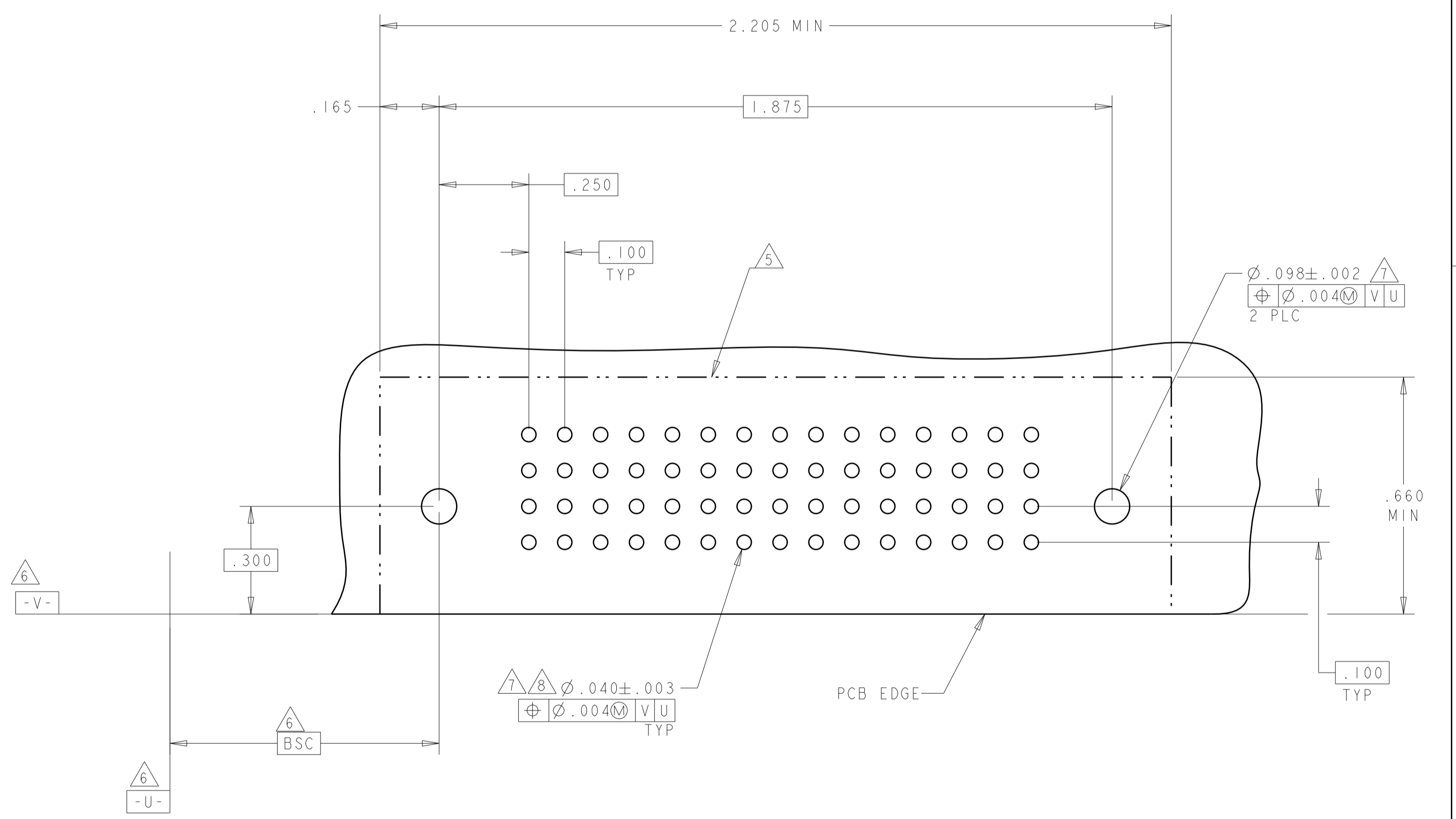
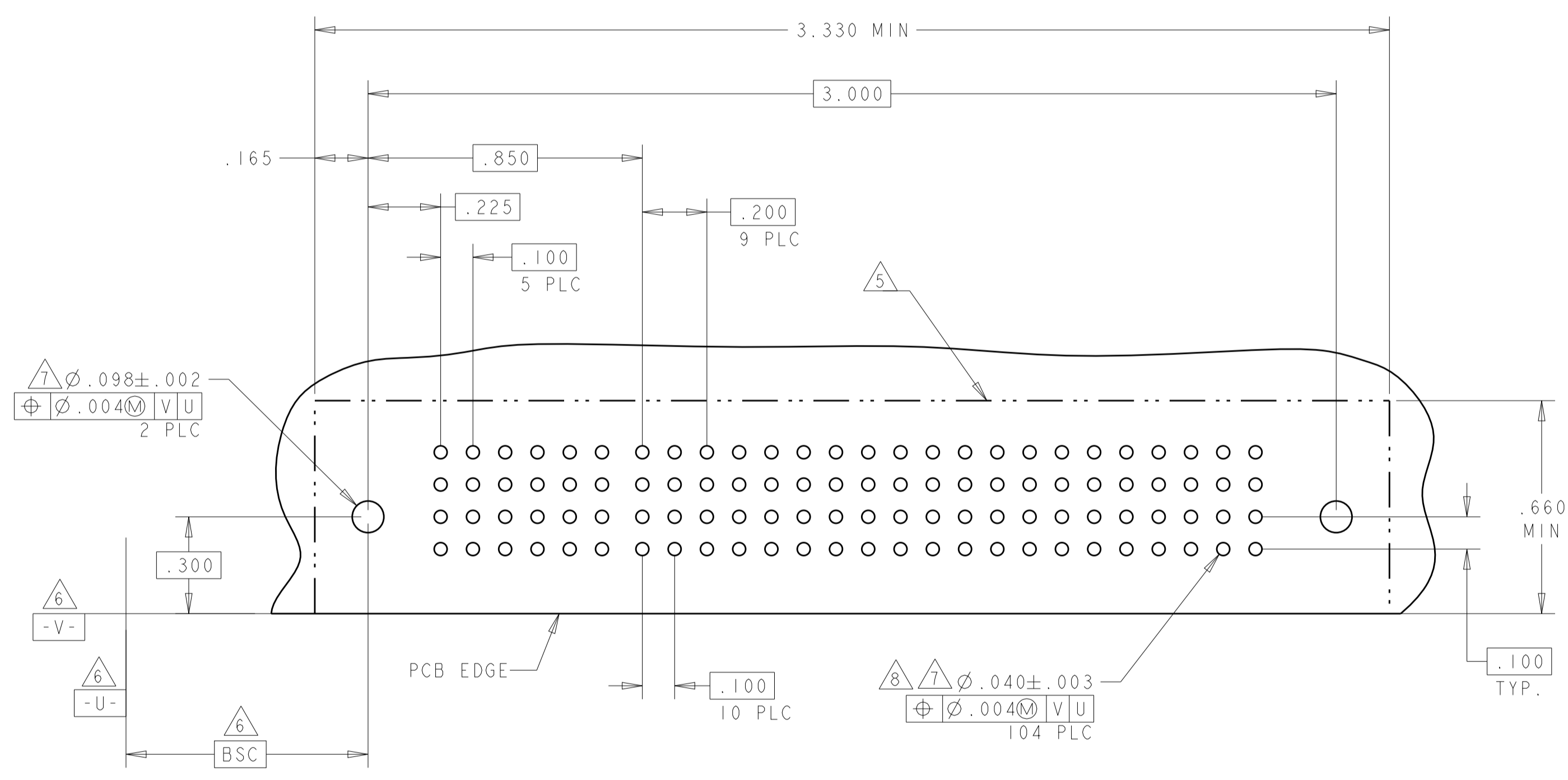
THIS DRAWING IS A CONTROLLED DOCUMENT.		OWN: R. GRZYBOWSKI 02FEB05	 TE Connectivity
DIMENSIONS: INCHES		CHK: M. PERCHERKE 02FEB05	
TOLERANCES UNLESS OTHERWISE SPECIFIED:		APVD: M. PERCHERKE	NAME: RIGHT ANGLE HEADER ASSY W/GUIDES MULTI-BEAM XL
0 PLC ± .01		PRODUCT SPEC: 108-1973	SIZE: A1
1 PLC ± .01		APPLICATION SPEC: 114-13038	CAGE CODE: C=6450121
2 PLC ± .005		WEIGHT: -	RESTRICTED TO: -
3 PLC ± .0020		MATERIAL: -	SCALE: N/A
ANGLES: ± .0020		FINISH: -	SHEET 11 OF 13
MATERIAL: -		FINISH: -	REV: G2
FINISH: -		CUSTOMER DRAWING	

LOC	DIST	REV	DATE	BY	APPV
ES	00				

REVISIONS		DATE	BY	APPV
1	SEE SHEET 1			

PART NUMBER	ROWS	SIGNAL						POWER									
		1	2	3	4	5	6	P1	P2	P3	P4	P5	P6	P7	P8	P9	P10
2-6450121-7	D	J	J	J	J	J	E	PM	PM	PM	PM	PM	PM	PM	PM	PM	PM
	C	K	K	K	F	K	K										
	B	N	N	N	G	N	N										
	A	S	H	S	H	S	S										
24S + 10P																	

PART NUMBER	ROWS	SIGNAL														
		1	2	3	4	5	6	7	8	9	10	11	12	13	14	15
2-6450121-8	D	J	J	J	J	J	J	J	J	J	J	J	J	J	J	J
	C	K	K	K	K	K	K	K	K	K	K	K	K	K	K	
	B	N	N	N	N	N	N	N	N	N	N	N	N	N	N	
	A	S	S	S	S	S	S	S	S	S	S	S	S	S	S	
60S																



THIS DRAWING IS A CONTROLLED DOCUMENT.

DIMENSIONS:	TOLERANCES UNLESS OTHERWISE SPECIFIED:	OWN: R. GRZYBOWSKI 02FEB05	CHK: M. PERCHERKE 02FEB05	APVD: M. PERCHERKE	NAME: RIGHT ANGLE HEADER ASSY W/GUIDES MULTI-BEAM XL
INCHES	0 PLC ± .01 1 PLC ± .01 2 PLC ± .01 3 PLC ± .005 4 PLC ± .002	PRODUCT SPEC: 108-1973	APPLICATION SPEC: 114-13038	SIZE: 114-13038	RESTRICTED TO: -
MATERIAL: -	FINISH: -	WEIGHT: -	CUSTOMER DRAWING	SCALE: N/A	SHEET 12 OF 13

REV G2

LOC	DIST	REVISIONS			
P	LTN	DESCRIPTION	DATE	DMN	APVD
ES	00	SEE SHEET 1			

(G2)

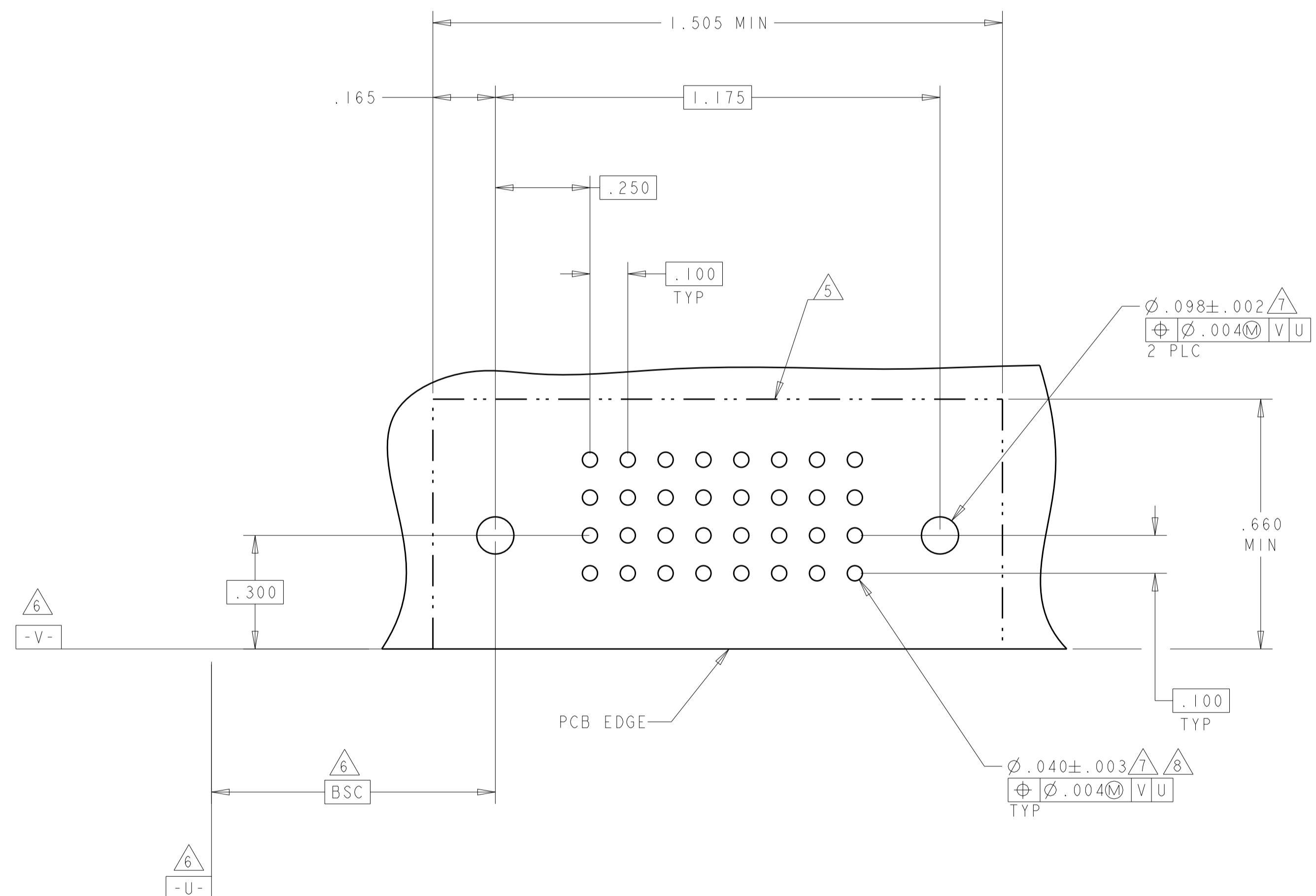
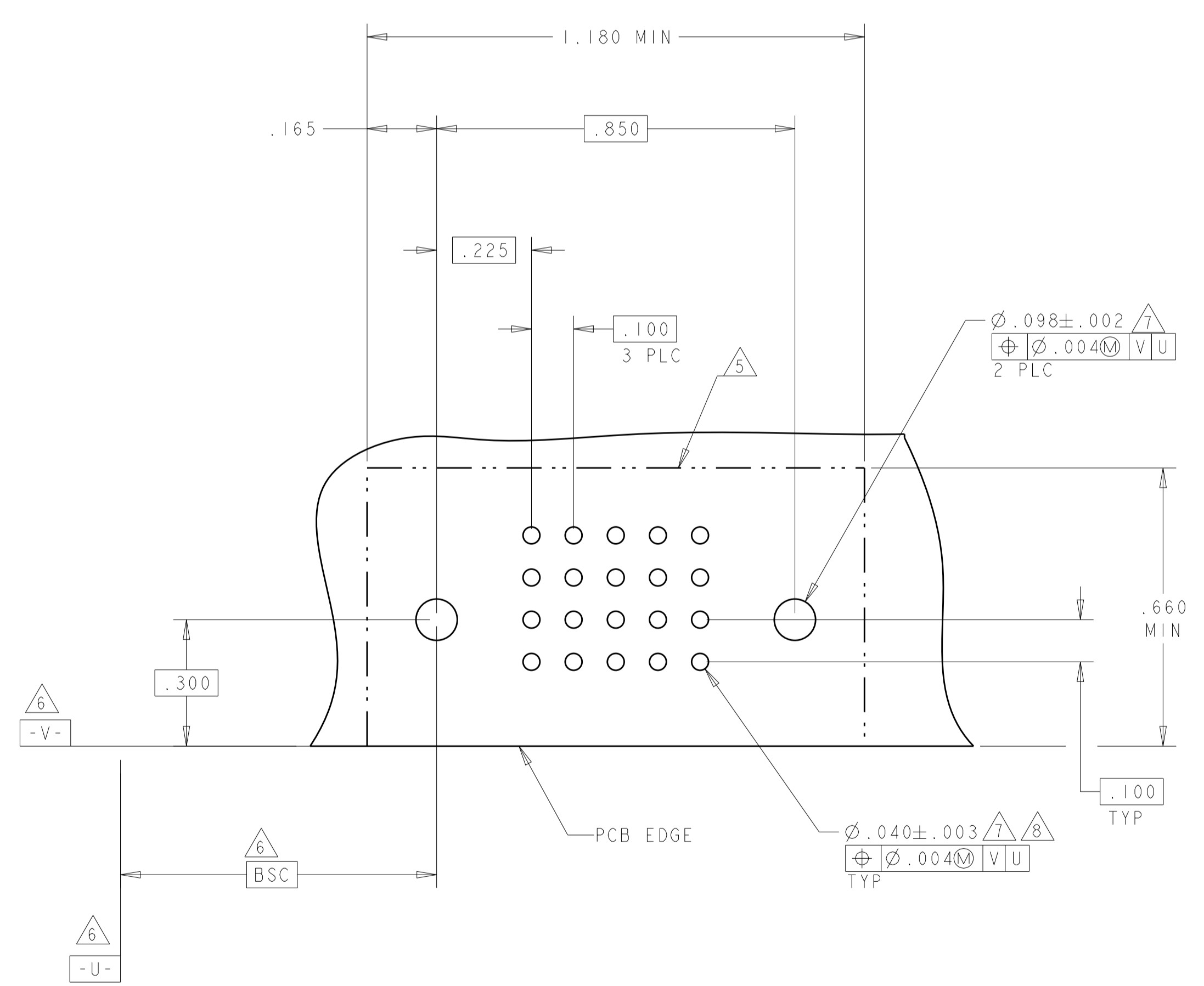
PART NUMBER	ROWS	SIGNAL					HD
		1	2	3	4	5	
2-6450121-9	D	J	J	J	J	J	HD
	C	K	K	K	K	K	
	B	N	N	N	N	N	
	A	H	H	S	S	S	

20S

(G2)

PART NUMBER	ROWS	SIGNAL								HD
		1	2	3	4	5	6	7	8	
3-6450121-0	D	J	J	J	J	J	J	J	J	HD
	C	K	K	K	K	K	K	K		
	B	N	N	N	N	N	N	N		
	A	S	S	S	S	S	S	S		

32S



THIS DRAWING IS A CONTROLLED DOCUMENT.		DMN: R. GRZYBOWSKI 02FEB05	TE Connectivity
DIMENSIONS: INCHES		CHK: M. PERCHERKE 02FEB05	
TOLERANCES UNLESS OTHERWISE SPECIFIED:		APVD: M. PERCHERKE	NAME: RIGHT ANGLE HEADER ASSY W/GUIDES MULTI-BEAM XL
0 PLC ±	1 PLC ±.01	PRODUCT SPEC	108-1973
2 PLC ±.01	3 PLC ±.005	APPLICATION SPEC	114-13038
4 PLC ±.0020	ANGLES ±.2°	SIZE	114-13038
MATERIAL	FINISH	WEIGHT	RESTRICTED TO
			A100779C=6450121
CUSTOMER DRAWING		SCALE: N/A	SHEET 13 OF 13 REV G2

Компания «Life Electronics» занимается поставками электронных компонентов импортного и отечественного производства от производителей и со складов крупных дистрибьюторов Европы, Америки и Азии.

С конца 2013 года компания активно расширяет линейку поставок компонентов по направлению коаксиальный кабель, кварцевые генераторы и конденсаторы (керамические, пленочные, электролитические), за счёт заключения дистрибьюторских договоров

Мы предлагаем:

- Конкурентоспособные цены и скидки постоянным клиентам.
- Специальные условия для постоянных клиентов.
- Подбор аналогов.
- Поставку компонентов в любых объемах, удовлетворяющих вашим потребностям.
- Приемлемые сроки поставки, возможна ускоренная поставка.
- Доставку товара в любую точку России и стран СНГ.
- Комплексную поставку.
- Работу по проектам и поставку образцов.
- Формирование склада под заказчика.
- Сертификаты соответствия на поставляемую продукцию (по желанию клиента).
- Тестирование поставляемой продукции.
- Поставку компонентов, требующих военную и космическую приемку.
- Входной контроль качества.
- Наличие сертификата ISO.

В составе нашей компании организован Конструкторский отдел, призванный помогать разработчикам, и инженерам.

Конструкторский отдел помогает осуществить:

- Регистрацию проекта у производителя компонентов.
- Техническую поддержку проекта.
- Защиту от снятия компонента с производства.
- Оценку стоимости проекта по компонентам.
- Изготовление тестовой платы монтаж и пусконаладочные работы.



Тел: +7 (812) 336 43 04 (многоканальный)
Email: org@lifeelectronics.ru