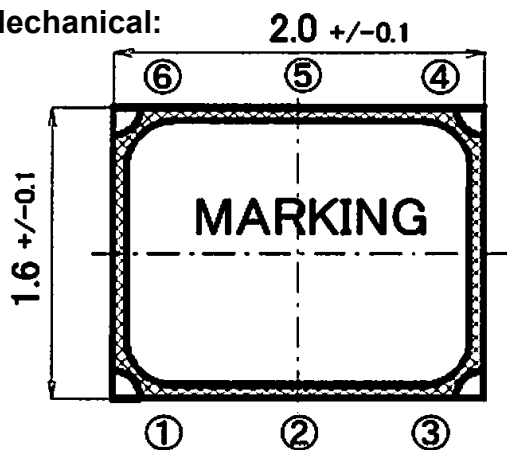


- Pletronics TCG4 Series is an precision temperature compensated crystal oscillator.
- The TCG4 has a clipped-sine output.
- Frequencies available from 15MHz to 52 MHz
- Supply voltages from 1.8V to 3.3V

- 1.6 X 2.0 mm Ceramic LCC Package
- Very Low Power consumption
- Optional Voltage Control function
- Low phase noise and jitter

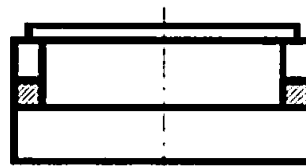
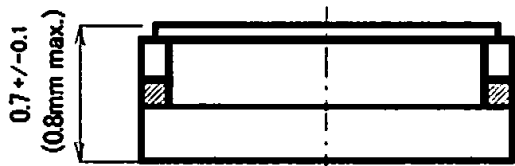
Mechanical:



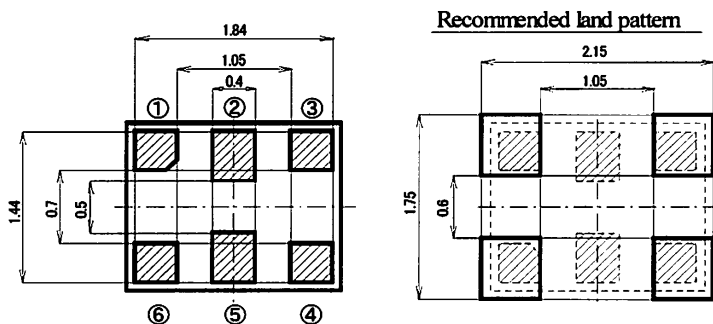
Pin Connections

- ①: VC
- ②: NC
- ③: GND
- ④: OUTPUT
- ⑤: NC
- ⑥: Vcc

NC= no external connection allowed



Contacts: gold 11.8 to 39.4 μ-inches (0.3 to 1.0 μm) over Nickel 50 to 350 μ-inches (1.27 to 8.89 μm).



Layout and Application Information

For optimum jitter performance, Pletronics recommends:

- A ground plane under the device
- No large transient signals (both voltage and current) should be routed under the device.
- Do not layout near large magnetic fields such as high frequency switching power supplies.
- Do not place near piezoelectric buzzers or mechanical fans.

Electrical Specification for specified Vcc over the specified temperature range

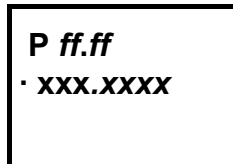
| Item | Min | TYP | Max | Unit | Condition |
|--|------------------|------|------------|------------------|---|
| Frequency Range | 15 | | 52 | MHz | See table of available frequencies. |
| Frequency Tolerance (Calibration) | -1.0 | | +1.0 | ppm | Vcontrol =(1.50 or 0.9) volts at 25±2°C, reference to nominal frequency Vcontrol = 0.9 volts for VCC below 2.5 Volts |
| Frequency Stability vs. Temp. ¹ | -0.5 | | +0.5 | ppm | Over operating range referenced to value at 25±2°C |
| Frequency Stability vs. Supply | -0.2 | | +0.2 | ppm | Load: 10K ohm // 10 pF & Vcc ±5% |
| Frequency Stability vs. Load | -0.2 | | +0.2 | ppm | Load 10K ohm 10 pF ±5% |
| Aging | -1.0 | | +1.0 | ppm | Per year at 25°C |
| Output Waveform | Clipped Sinewave | | | | DC Coupled |
| Output Level | 0.8 | | | V _{p-p} | Load: 10K ohm ±10% // 10 pF ±10% |
| Phase Noise | 10 Hz | - | -85 | - | dBc/Hz |
| | 100Hz | - | -110 | - | |
| | 1 KHz | - | -130 | - | |
| | 10 KHz | - | -145 | - | |
| | 100KHz | - | -145 | - | |
| V Supply Range V _{CC} | 1.7 | - | 3.3 | Volts | Specified by part number. |
| Supply Current I _{CC} | | 2.5 | | mA | |
| Vcontrol Range | 0.5 0.3 | | 2.5 1.5 | Volts | 1.50 volts nominal for V _{CC} ≥ 2.5V 0.90 volts nominal for V _{CC} ≤ 2.5V |
| Frequency Pullability ¹ | | ±8 | | ppm | |
| Linearity | - | 0.05 | 2.0 | % | In accordance with MIL-PRF-55310 |
| Operating Temperature Range ¹ | -30 | | +85 | °C | |
| Storage Temperature Range | -40 | | +85 | °C | |

¹ Specified by Part Number

Part Number:

| | | | | | | | | | |
|-------------|------------|------------|----------|----------|------------|------------|---------------|------------|--|
| TCG4 | 017 | 019 | G | H | 010 | 008 | -20.0M | -XX | |
| | | | | | | | | | Internal code or blank |
| | | | | | | | | | Nominal Frequency in MHz |
| | | | | | | | | | Pullability in ppm (Vcontrol)(in ppm) 000 = TCXO only 005 = ±5 ppm minimum 008 = ±8 ppm minimum |
| | | | | | | | | | Stability in ppm 010 = ± 1.0 ppm, 005 = ±0.5 ppm |
| | | | | | | | | | Highest Specified Operating Temperature A = +40°C E = +60°C J = +80°C B = +45°C F = +65°C K = +85°C C = +50°C G = +70°C D = +55°C H = +75°C |
| | | | | | | | | | Lowest Specified Operating Temperature A = +10°C E = -10°C J = -30°C B = +5°C F = -15°C C = +0°C G = -20°C D = -5°C H = -25°C |
| | | | | | | | | | Highest Supply Voltage ¹ (voltage * 10) 035 = 3.3 volts 030 = 3.0 volts (typical examples shown) |
| | | | | | | | | | Lowest Supply Voltage ¹ (voltage * 10) 017 = 1.7 volts 028 = 2.8 volts (typical examples shown) |
| | | | | | | | | | Series (Part Type, Logic & Package) |

Part Marking:



P = Pletronics
ff.ff = frequency in MHz
xxx.xxxx = internal code

Package Labeling:

Label is 1" x 2.6" (25.4mm x 66.7mm)
Font is Courier New
Bar code is 39-Full ASCII

Label is 1" x 2.6" (25.4mm x 66.7mm)
Font is Arial



Pletronics Inc. certifies this device is in accordance with the RoHS 6/6 (2002/95/EC) and WEEE (2002/96/EC) directives.

- Pletronics Inc. guarantees the device does not contain the following:
Cadmium, Hexavalent Chromium, Lead, Mercury, PBB's, PBDE's
- Weight of the Device: 0.64 grams
- Moisture Sensitivity Level: 1 As defined in J-STD-020D.
- Second Level Interconnect code: e4

Absolute Maximum Ratings:

| Parameter | Unit |
|--------------------------------|---------------------------------|
| V _{CC} Supply Voltage | -0.5V to +6.0V |
| V _i Input Voltage | -0.5V to V _{CC} + 0.5V |
| V _o Output Voltage | -0.5V to V _{CC} + 0.5V |

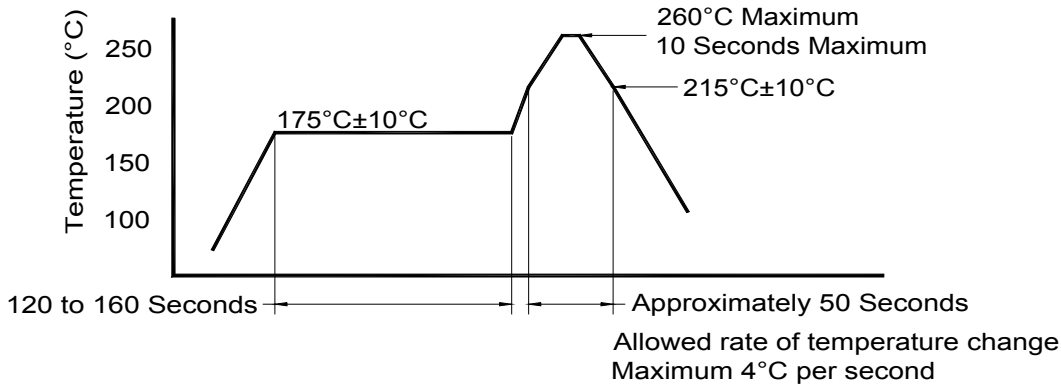
ESD Rating

| Model | Minimum Voltage | Conditions |
|----------------------|-----------------|-------------------------|
| Human Body Model | 1500 | MIL-STD-883 Method 3115 |
| Charged Device Model | 1000 | JESD 22-C101 |

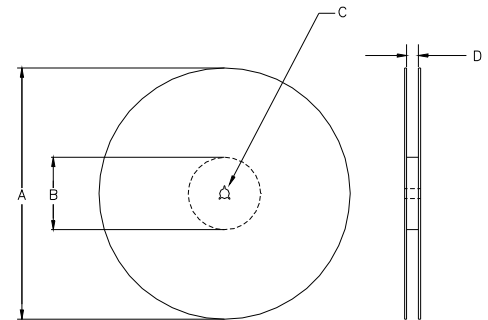
Reliability: Environmental Compliance

| Parameter | Condition |
|------------------|--------------------------------------|
| Mechanical Shock | MIL-STD-883 Method 2002, Condition B |
| Vibration | MIL-STD-883 Method 2007, Condition A |
| Solderability | MIL-STD-883 Method 2003 |
| Thermal Shock | MIL-STD-883 Method 1011, Condition A |

Reflow Cycle (typical for lead free processing)



| Constant Dimensions Table 1 | | | | | | | | |
|-----------------------------|---------------------|--------|--------------|-------------|-------|--------|-------|--------|
| Tape Size | D0 | D1 Min | E1 | P0 | P2 | S1 Min | T Max | T1 Max |
| 8mm | 1.5 -0.0 +1.0 | 1.0 | 1.75 ±0.1 | 4.0 ±0.1 | 2.0 | - | 0.6 | - |
| 12mm | | 1.5 | | | ±0.05 | | | |
| 16mm | | 1.5 | | | ±0.1 | | | |
| 24mm | | 1.5 | | | ±0.1 | | | |

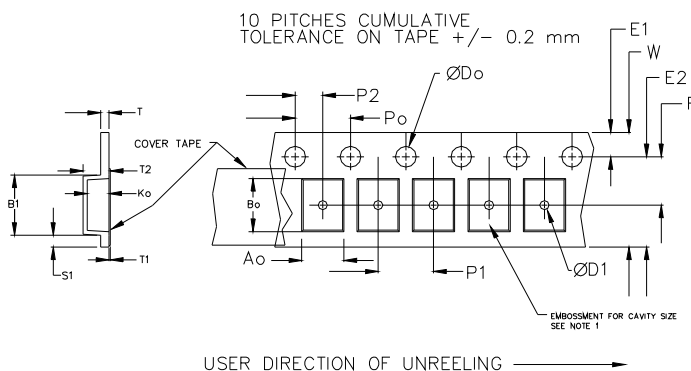


| Variable Dimensions Table 2 | | | | | | |
|-----------------------------|--------|-----------|-----------|--------|-------|-------------|
| Tape Size | B1 Max | F | P1 | T2 Max | W Max | Ao, Bo & Ko |
| 8mm | 2.2 | 3.5 ± 0.1 | 4.0 ± 0.1 | 1.2 | 8.0 | Note 1 |

Note 1: Embossed Cavity to conform to EIA-481-B. Dimensions in mm Not to Scale

| Reel Dimensions | | | | | |
|-----------------|--------|------------------|-------|-------|------------|
| A | Inches | 7.0 | 10.0 | 13.0 | Tape Width |
| | mm | 177.8 | 254.0 | 330.2 | |
| B | Inches | 2.50 | 4.00 | 3.75 | Tape Width |
| | mm | 63.5 | 101.6 | 95.3 | |
| C | mm | 13.0 +0.5 / -0.2 | | | Tape Width |
| D | mm | 16.4 +2.0 -0.0 | | | |

Reel Dimensions may vary from the above.



IMPORTANT NOTICE

Pletronics Incorporated (PLE) reserves the right to make corrections, improvements, modifications and other changes to this product at anytime. PLE reserves the right to discontinue any product or service without notice. Customers are responsible for obtaining the latest relevant information before placing orders and should verify that such information is current and complete. All products are sold subject to PLE's terms and conditions of sale supplied at the time of order acknowledgment.

PLE warrants performance of this product to the specifications applicable at the time of sale in accordance with PLE's limited warranty. Testing and other quality control techniques are used to the extent PLE deems necessary to support this warranty. Except where mandated by specific contractual documents, testing of all parameters of each product is not necessarily performed.

PLE assumes no liability for application assistance or customer product design. Customers are responsible for their products and applications using PLE components. To minimize the risks associated with the customer products and applications, customers should provide adequate design and operating safeguards.

PLE products are not designed, intended, authorized or warranted to be suitable for use in life support applications, devices or systems or other critical applications that may involve potential risks of death, personal injury or severe property or environmental damage. Inclusion of PLE products in such applications is understood to be fully at the risk of the customer. Use of PLE products in such applications requires the written approval of an appropriate PLE officer. Questions concerning potential risk applications should be directed to PLE.

PLE does not warrant or represent that any license, either express or implied, is granted under any PLE patent right, copyright, artwork or other intellectual property right relating to any combination, machine or process which PLE product or services are used. Information published by PLE regarding third-party products or services does not constitute a license from PLE to use such products or services or a warranty or endorsement thereof. Use of such information may require a license from a third party under the patents or other intellectual property of the third party, or a license from PLE under the patents or other intellectual property of PLE.

Reproduction of information in PLE data sheets or web site is permissible only if the reproduction is without alteration and is accompanied by associated warranties, conditions, limitations and notices. Reproduction of this information with alteration is an unfair and deceptive business practice. PLE is not responsible or liable for such altered documents.

Resale of PLE products or services with statements different from or beyond the parameters stated by PLE for that product or service voids all express and implied warranties for the associated PLE product or service and is an unfair or deceptive business practice. PLE is not responsible for any such statements.

Contacting Pletronics Inc.

Pletronics Inc.
19013 36th Ave. West
Lynnwood, WA 98036-5761 USA

Tel: 425-776-1880
Fax: 425-776-2760
E-mail: ple-sales@pletronics.com
URL: www.pletronics.com

Компания «Life Electronics» занимается поставками электронных компонентов импортного и отечественного производства от производителей и со складов крупных дистрибьюторов Европы, Америки и Азии.

С конца 2013 года компания активно расширяет линейку поставок компонентов по направлению коаксиальный кабель, кварцевые генераторы и конденсаторы (керамические, пленочные, электролитические), за счёт заключения дистрибьюторских договоров

Мы предлагаем:

- Конкурентоспособные цены и скидки постоянным клиентам.
- Специальные условия для постоянных клиентов.
- Подбор аналогов.
- Поставку компонентов в любых объемах, удовлетворяющих вашим потребностям.
- Приемлемые сроки поставки, возможна ускоренная поставка.
- Доставку товара в любую точку России и стран СНГ.
- Комплексную поставку.
- Работу по проектам и поставку образцов.
- Формирование склада под заказчика.
- Сертификаты соответствия на поставляемую продукцию (по желанию клиента).
- Тестирование поставляемой продукции.
- Поставку компонентов, требующих военную и космическую приемку.
- Входной контроль качества.
- Наличие сертификата ISO.

В составе нашей компании организован Конструкторский отдел, призванный помогать разработчикам, и инженерам.

Конструкторский отдел помогает осуществить:

- Регистрацию проекта у производителя компонентов.
- Техническую поддержку проекта.
- Защиту от снятия компонента с производства.
- Оценку стоимости проекта по компонентам.
- Изготовление тестовой платы монтаж и пусконаладочные работы.



Тел: +7 (812) 336 43 04 (многоканальный)
Email: org@lifeelectronics.ru