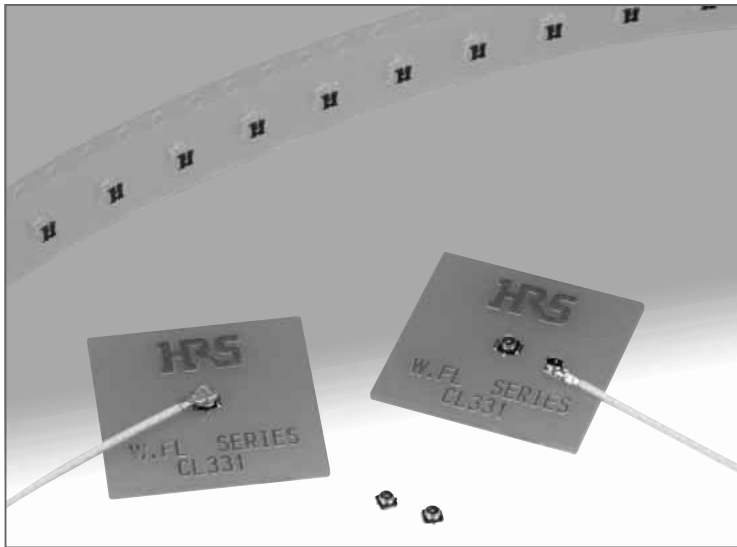


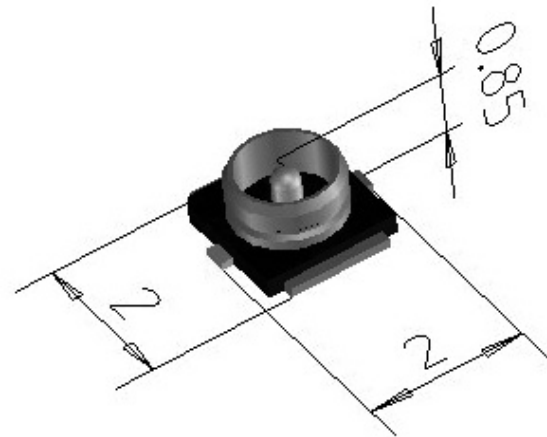
Ultra Small Surface Mount Coaxial Connectors – 1.4mm Mated Height

W.FL Series



Up to 6 GHz Transmission Speed

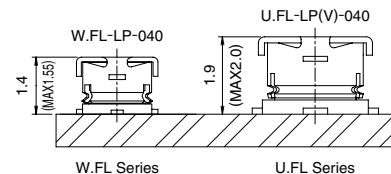
Occupied Mounting Area



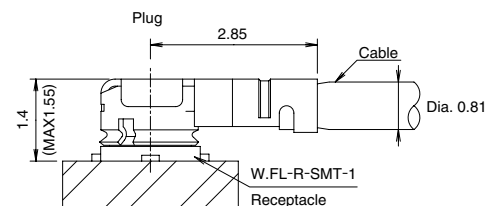
Features

- 1. Nominal mated height of 1.4 mm (Max. 1.5 mm)**
- 2. Small mounting area**
The receptacle occupies an area of 3.4mm².
- 3. Lightweight**
Receptacle: 5.6 mg
Right-angle plug: 18.6 mg
- 4. Accepts high frequency transmission.**
To meet the frequency requirements of a wide variety of miniature devices, the connectors offer high frequency performance from DC to 6 GHz, with a V.S.W.R. of 1.35max.
- 5. Automatic board placement**
Packaged on tape-and-reel the receptacles can be placed with vacuum nozzles of the automatic placement equipment.
- 6. Plugs are terminated with ultra-fine coaxial (fluorinated resin insulated) cable**
Standard ultra-fine coaxial cable of 0.81 mm diameter (single braid shielding) is used for the plug termination, assuring secure and stable connections.
- 7. Simple connector mating / unmating**
Use of available extraction tool assures correct disconnection of the plug and receptacle.
- 8. Verification of the fully mated condition**
Tactile click sensation confirms fully mated condition, assuring complete electrical and mechanical connection.

Mated height comparison (with U.FL Series)



W. FL Plug and Receptacle



Applications

Cellular phones, PHS, mobile phones, wireless communication devices, electronic measuring instruments, GPS, wireless LAN, Bluetooth and any application requiring high frequency transmission using small coaxial connectors.

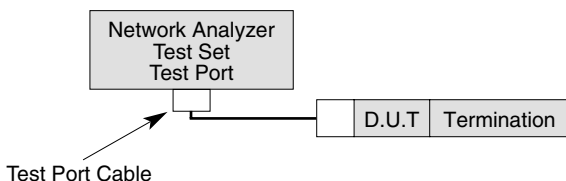
W.FL Series Ultra Small Surface Mount Coaxial Connectors – 1.4mm Mated Height

Specifications

Ratings	Nominal characteristic impedance	50 ohms	Operating temperature range	-40°C to +90°C
	Frequency range	DC to 6 GHz	Operating humidity	90% RH max.

Item	Specification	Conditions
1. Contact resistance	Center contact: 20m ohms max. Outer contact: 10m ohms max.	10mA max.
2. Insulation resistance	500M ohms min.	100V DC
3. Withstanding voltage	No flashover or insulation breakdown	200V AC / 1 minute
4. V.S.W.R.*	1.3 Max. 1.35 Max.	Up to 3 GHz 3 to 6 GHz
5. Durability	Contact resistance Center contact: 25m ohms max. Outer contact: 15m ohms max. No damage, cracks, or parts dislocation	20 cycles
6. Vibration	No electrical discontinuity of 1 μs or longer No damage, cracks, or parts dislocation	Frequency: 10 to 100 Hz, single amplitude of 1.5mm Acceleration: 59 m/s ² , in each of 3 axis 5 cycles
7. Shock	No electrical discontinuity of 1 μs or longer No damage, cracks, or parts dislocation	Acceleration of 735 m/s ² , 11 ms continuous time Waveform: sine half-wave, 3 cycles in each of the 3 axis
8. Humidity	Insulation resistance: 10M ohms min. (high humidity) Insulation resistance: 500M ohms min. (dry) No damage, cracks, or parts dislocation	96 hours at temperature of +40°C and humidity of 95%
9. Temperature cycle	No damage, cracks, or parts dislocation Contact resistance: 25m ohms max. (Center) 15m ohms max. (Outer)	Temperature: -40°C → +5°C to +35°C → +90°C → +5°C to +35°C Time: 30 min. → 3 min. → 30 min. → 3 min. 5 cycles
10. Salt spray test	No excessive corrosion	5% salt water solution, 48 hours

*V.S.W.R. Measurement System
 Measured as shown on the block diagram below.



Note1: Measurement way of a W.FL Cable assembly (plug)
 W.FL Cable assembly (plug) is measured with SMA conversion adapters mated with W.FL plugs at both ends of a 100cm coaxial cable harness

Note2: Measurement way of a W.FL receptacle
 W.FL receptacle, which is mounted on a 50 ohms glass epoxy board, is measured with a SMA conversion adapter.

Materials / Finishes

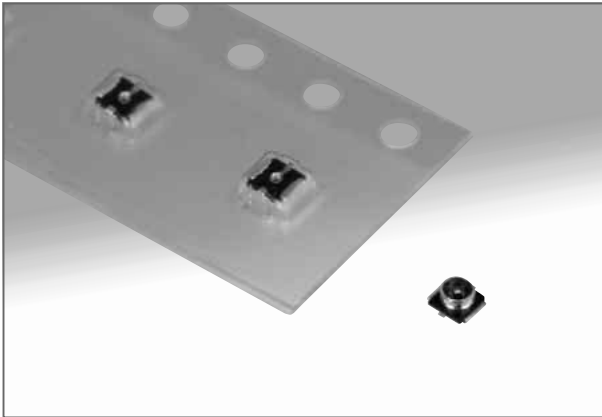
●Plug – right angle

Part	Material	Finish	Remarks
Shell	Phosphor bronze	Silver plated	—
Female center contact	Phosphor bronze	Gold plated	—
Insulator	PBT	Color: Black	UL94V-0

●Receptacle

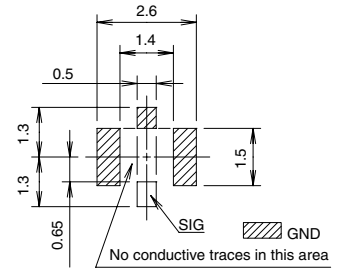
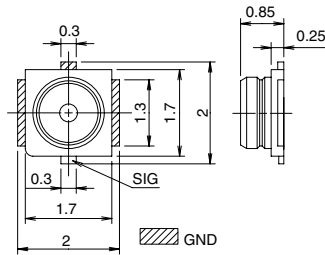
Part	Material	Finish	Remarks
Male center contact	Brass	Gold plated	—
Insulator	LCP	Color: Black	UL94V-0
Shell	Phosphor bronze	Silver plated	—

■ Receptacle



Note : Receptacles of (10) specification are sold by the reel (2,000 pieces).
 Order by reel.

◆ Recommended PCB mounting pattern



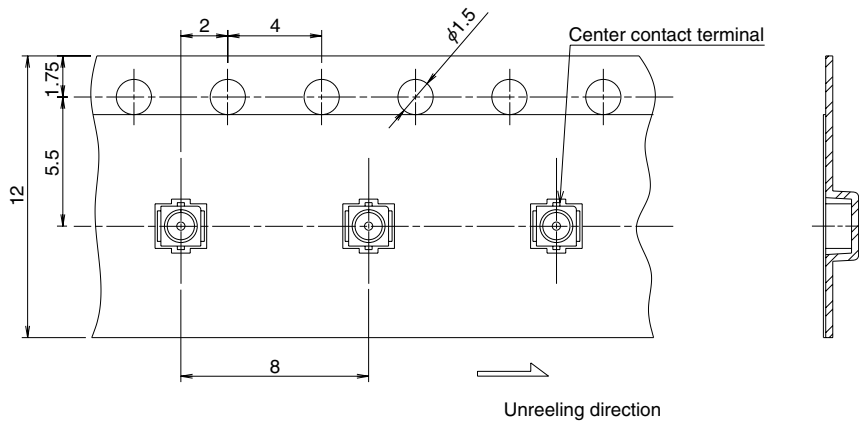
Recommended screen thickness: 0.1mm to 0.12mm

All dimensions: mm

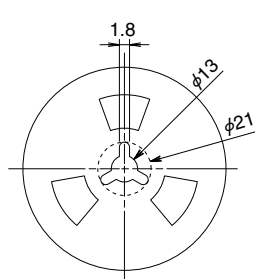
Part Number	CL No.	Packaging	Weight / EA	RoHS
W.FL-R-SMT-1(10)	CL331-0482-6-10	Reel (2000 pieces/reel)	5.6 mg	YES
W.FL-R-SMT-1(40)	CL331-0482-6-40	Reel (5000 pieces/reel)		

◆ Packaging Specifications

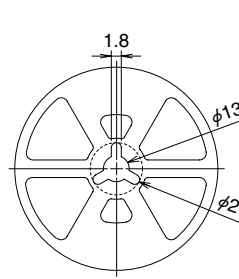
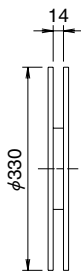
Embossed Carrier Tape Dimensions



Reel Dimensions



W.FL-R-SMT-1(10):
 Reel material: Corrugated board

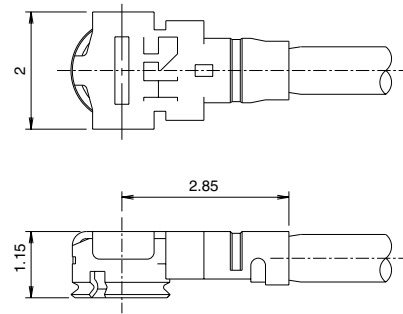


W.FL-R-SMT-1(40):
 Reel material: Plastic



All dimensions: mm

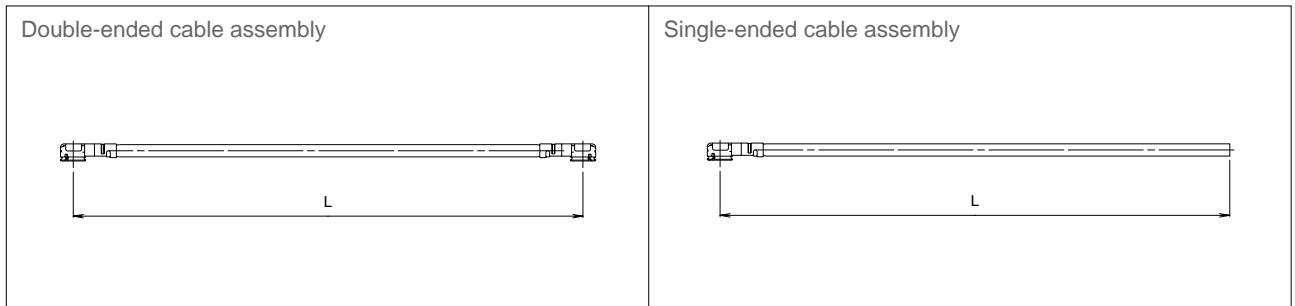
■ Plug Assembly (Plug)



Plugs can be ordered only as terminated cable assemblies.

All dimensions: mm

■ How to Specify Plug Cable Assembly



● Ordering Information

W.F.L – 2LP – 04N [] T – A – (L)

① ② ③ ④ ⑤

① Series name	W.F.L
② Assembly type	LP : Single ended 2LP : Double ended
③ Cable type	04N : Dia. 0.81mm ultra-fine coaxial cable
④ Cable color	1: White, 2: Black
⑤ Total length (mm)	Length (L)

● Standard tolerances for (L) (Note 2)

(L)	Standard Tolerance
L=35mm to 200mm	±4mm (Note 1)
L=200mm to 500mm	±8mm
L=500mm to 1000mm	±12mm
L= Longer than 1000mm	±1.5% of (L)

Note1: Minimum available length (L) is 35mm

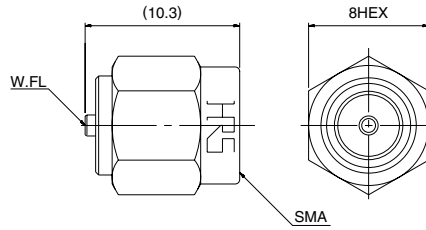
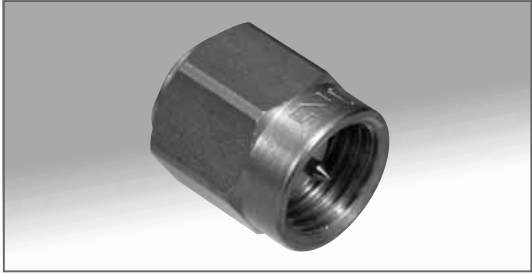
Note2: Contact nearest HRS representative if different tolerances are required.

Note3: Contact Nearest HRS representative if one end requires preparation.

Part No. of Cable Assembly	Description	RoHS
W.F.L-2LP-04N1T-A-(L)	Dia. 0.81mm double ended coaxial cable, color: white	YES

■ Conversion Adapters

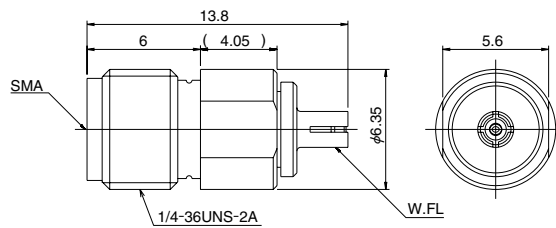
● SMA Conversion Adapter (W.FL side jack – SMA side plug)



Note:Used for performance measurements only.
The W.FL mating side has lower retention force than the regular product when mated to the corresponding part.

Part No.	CL No.	RoHS
HRMP-W.FLJ(40)	311-0367-3-40	YES

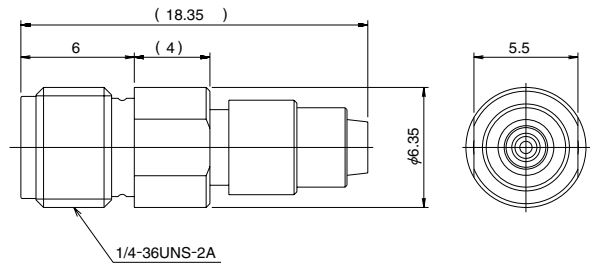
● SMA Conversion Adapter (W.FL side plug – SMA side jack)



Note:Used for performance measurements only.
The W.FL mating side has lower retention force than the regular product when mated to the corresponding part.

Part No.	CL No.	RoHS
HRMJ-W.FLP(40)	311-0368-6-40	YES

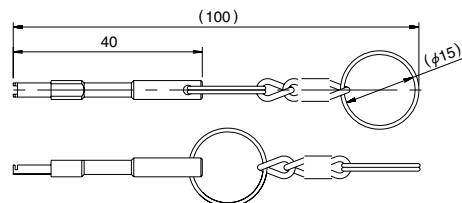
● SMA Conversion Adapter



Note:When mating with corresponding part (W.FL-R-SMT-1) it must be pressed down and held to make complete connection.

Part No.	CL No.	RoHS
HRMJ-W.FLP-ST1(40)	311-0386-8-40	YES

■ Plug Extraction Tool



Part No.	CL No.	RoHS
W.FL-LP-N	331-0492-0	YES

W.F.L Series Ultra Small Surface Mount Coaxial Connectors – 1.4mm Mated Height

■Precautions

1. Plug

(1) Mating / unmating	<ul style="list-style-type: none"> • Unmating Insert both ends of the extraction tool under the plug (from the direction opposite to the Cable termination), as shown and pull-up in the direction perpendicular to the mounting surface of the receptacle. <ul style="list-style-type: none"> ● Recommended the use of the extraction tool for unmating. Any attempt of unmating by pulling on the cable may result in damage and affect the mechanical / electrical performance. • Mating Do not attempt to insert on an extreme angle. 	
(2) Pull forces on the cable after connectors are mated	<p>After the connectors are mating, do not apply a load to the cable in excess of the values indicated in the diagram.</p>	
(3) Precautions	Do not twist connectors excessively during mating / unmating.	

2. Receptacle

(1) Recommended reflow temperature profile	<p>① The temperature of the printed circuit board surface temperature at the points of contact with the terminals. ② Reflow soldering should be performed at a printed circuit surface temperature of 250°C max. ③ In individual applications the actual temperature may vary, depending on the solder paste type, volume / thickness and board size / thickness. Consult your solder paste and equipment manufacturer for specific recommendations.</p>	
(2) Manual soldering	Soldering iron temperature: 350°C, Soldering time: for 5 seconds max.	
(3) Recommended metal mask thickness	0.1 mm to 0.12 mm	
(4) Reflow cycles	2 times	

3. Operating environment and storage conditions

(1) Operating environment	<p>The connectors are not designed to operate in the following environments:</p> <ul style="list-style-type: none"> • Exposed to a excessive amounts of fine particles and dust • Regions and places having a high density of sulfur dioxide, hydrogen sulfide, nitrogen dioxide or other corrosive gasses. • Environments having large rapid variations in temperature. 	
(2) Storage conditions - Receptacle	<p>Store in the Hirose Electric packaging. Temperature: -10 to +40°C, Humidity: 85% max. Use within 6 months of delivery. Receptacles for which the storage period has elapsed must be tested for solderability to the PC board mounting surface.</p>	



HIROSE ELECTRIC CO.,LTD.

5-23,OSAKI 5-CHOME,SHINAGAWA-KU,TOKYO 141-8587,JAPAN
 PHONE: 81-3-3491-5300, FAX: 81-3-3495-5230
<http://www.hirose.com>
<http://www.hirose-connectors.com>

Компания «Life Electronics» занимается поставками электронных компонентов импортного и отечественного производства от производителей и со складов крупных дистрибьюторов Европы, Америки и Азии.

С конца 2013 года компания активно расширяет линейку поставок компонентов по направлению коаксиальный кабель, кварцевые генераторы и конденсаторы (керамические, пленочные, электролитические), за счёт заключения дистрибьюторских договоров

Мы предлагаем:

- Конкурентоспособные цены и скидки постоянным клиентам.
- Специальные условия для постоянных клиентов.
- Подбор аналогов.
- Поставку компонентов в любых объемах, удовлетворяющих вашим потребностям.
- Приемлемые сроки поставки, возможна ускоренная поставка.
- Доставку товара в любую точку России и стран СНГ.
- Комплексную поставку.
- Работу по проектам и поставку образцов.
- Формирование склада под заказчика.
- Сертификаты соответствия на поставляемую продукцию (по желанию клиента).
- Тестирование поставляемой продукции.
- Поставку компонентов, требующих военную и космическую приемку.
- Входной контроль качества.
- Наличие сертификата ISO.

В составе нашей компании организован Конструкторский отдел, призванный помогать разработчикам, и инженерам.

Конструкторский отдел помогает осуществить:

- Регистрацию проекта у производителя компонентов.
- Техническую поддержку проекта.
- Защиту от снятия компонента с производства.
- Оценку стоимости проекта по компонентам.
- Изготовление тестовой платы монтаж и пусконаладочные работы.



Тел: +7 (812) 336 43 04 (многоканальный)

Email: org@lifeelectronics.ru