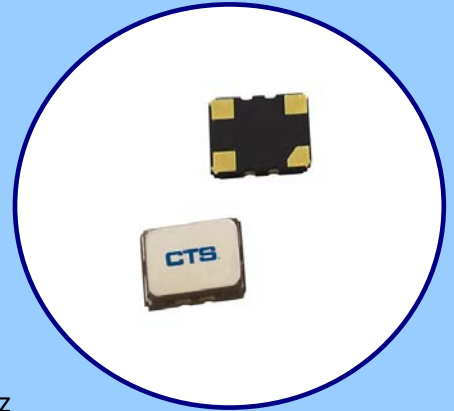


FEATURES

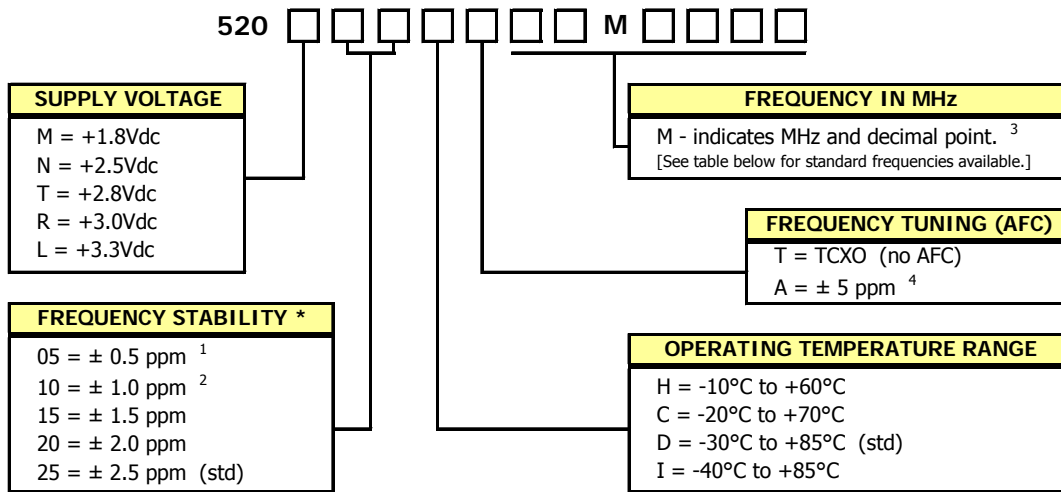
- **Clipped Sine Wave Output**
- **Optional Voltage Control for Frequency Tuning [VCTCXO]**
- 2.5mmx2.0mm Surface Mount Package
- Frequency Range 10 – 52 MHz [Standard Frequencies List Shown Below]
- Fundamental Crystal Design
- Frequency Stability, several options to choose from $\pm 0.5\text{ppm} \sim \pm 2.5\text{ppm}$
- Operating Voltage, +1.8Vdc \sim +2.5Vdc
- Operating Temperature to -40°C to +85°C
- Tape & Reel Packaging Available
- **RoHS/Green Compliant (6/6)**



APPLICATIONS

The Model 520 Temperature Compensated Crystal Oscillator (TCXO) is a quartz based, clipped sine wave output, with optional frequency tuning, in a hermetically sealed ceramic package. M520 is suitable for wireless communications, broadband access, WLAN/WiMax/WIFI, portable equipment, test and measurement and mobile applications.

ORDERING INFORMATION



* Frequency vs. Temperature Only

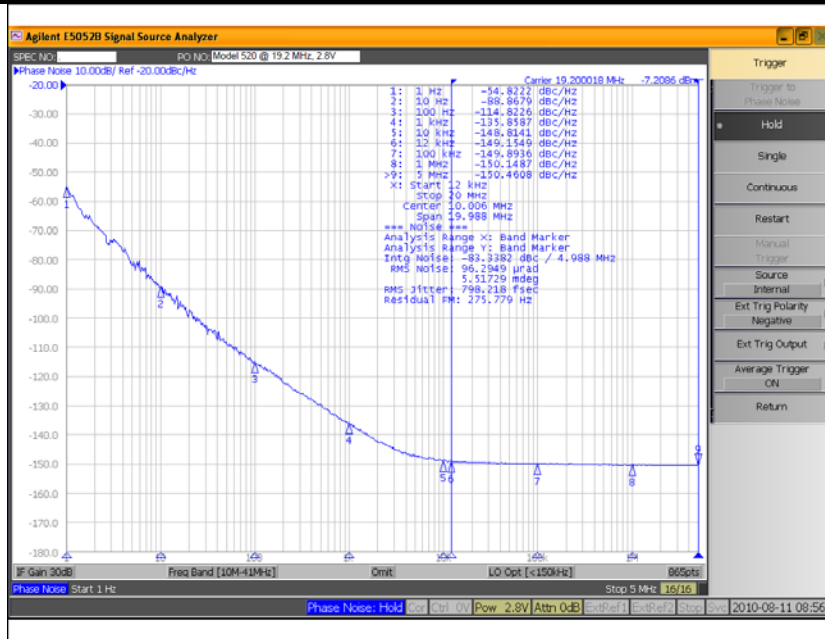
- 1] Only available with temperature range codes "H" and "C".
- 2] Only available with temperature range codes "H", "C" and "D".
- 3] Frequency is recorded with two leading digits before the 'M' and 4 significant digits after the 'M' (including zeros).
[Ex. XXMXXXX (10M0000), XXMXXXX (16M3840)]
- 4] See Electrical Characteristics for Control Voltage range per Supply Voltage selected.

Not all performance combinations and frequencies may be available.
Contact your local CTS Representative or CTS Customer Service for availability.

| M520 Standard Frequencies | | | | |
|---------------------------|-----------|-----------|-----------|-----------|
| 13.000000 | 16.368000 | 19.200000 | 26.000000 | 40.000000 |
| 16.367667 | 16.369000 | 20.000000 | 38.400000 | |

ELECTRICAL CHARACTERISTICS

| ELECTRICAL PARAMETERS | | PARAMETER | SYMBOL | CONDITIONS | MIN | TYP | MAX | UNIT |
|-----------------------|--|---|----------------|--|---------------------------|-----|----------|--------|
| | | Maximum Supply Voltage | V_{CC} | - | -0.5 | - | 6.0 | V |
| | | Maximum Control Voltage | V_C | - | -0.5 | - | V_{CC} | V |
| | | Storage Temperature | T_{STG} | - | -40 | - | 85 | °C |
| | | Frequency Range | f_0 | Std frequencies listed in Ordering Information | 10 | - | 52 | MHz |
| | | Frequency Stability | $\Delta f/f_0$ | Frequency vs. Temperature Only | 0.5, 1.0, 1.5 2.0, 2.5 | | | ± ppm |
| | | Frequency Stability vs. Initial Calibration | - | @25°C | - | - | 2.0 | ± ppm |
| | | vs. Supply Voltage | | ±5% change | - | - | 0.2 | |
| | | vs. Load | | ±10% change | - | - | 0.2 | |
| | | vs. Reflow Shift | | After 2 reflows | - | - | 2.0 | |
| | | vs. Aging | | 1st year | - | - | 1.0 | |
| | | | | 10 year | - | - | 10.0 | |
| | | Operating Temperature | T_A | - | 0 | 25 | 55 | °C |
| | | Order Code 'W' | | | -10 | | 60 | |
| | | Order Code 'H' | | | -20 | | 70 | |
| | | Order Code 'C' | | | -30 | | 85 | |
| | | Order Code 'D' | | | -40 | | 85 | |
| | | Order Code 'I' | | | | | | |
| | | Supply Voltage | V_{CC} | ±5% | 1.77 | 1.8 | 1.83 | V |
| | | Order Code 'M' | | | 2.38 | 2.5 | 2.63 | |
| | | Order Code 'N' | | | 2.66 | 2.8 | 2.94 | |
| | | Order Code 'T' | | | 2.85 | 3.0 | 3.15 | |
| | | Order Code 'R' | | | 3.14 | 3.3 | 3.47 | |
| | | Order Code 'L' | | | | | | |
| | | Supply Current | I_{CC} | 10.00 MHz - 25.99 MHz 26.00 MHz - 52.00 MHz | - | - | 2 2.5 | mA |
| | | Control Voltage | V_C | 2.5V, 2.8V, 3.0V, 3.3V 1.8V | 0.4 | 1.5 | 2.4 | V |
| | | | | | 0.3 | 0.9 | 1.5 | |
| | | Frequency Tuning [VCTCXO Only] | - | Specified V_C Range | 5.0 | - | - | ± ppm |
| | | V_C Input Impedance | ZV_C | - | 500 | - | - | kOhm |
| | | Output Waveform | | AC coupled Clipped Sinewave | | | | |
| | | Output Voltage Levels | V_O | - | 0.8 | - | - | Vp-p |
| | | Output Load | $R_L // C_L$ | - | 10 kOhm // 10 pF | | | |
| | | Start Up Time | T_S | - | - | - | 2 | ms |
| | | Phase Noise | - | Varies based on output frequency. See example plot @ 19.2 MHz below. | | | | dBc/Hz |



ELECTRICAL CHARACTERISTICS

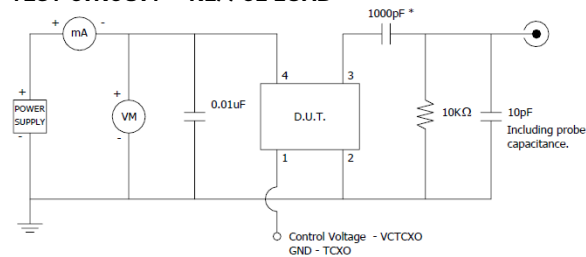
D.U.T. PIN ASSIGNMENTS

| PIN | SYMBOL | DESCRIPTION |
|-----|----------|---|
| 1 | V_C | GND – TCXO [Note 1] Control Voltage – VCTCXO |
| 2 | GND | Circuit & Package Ground |
| 3 | Output | Clipped Sine Wave Output [Note 2] |
| 4 | V_{CC} | Supply Voltage |

NOTES

1. Connect to ground for TCXO (no AFC) option.
2. DC-Cut Capacitor Required.
Add 1000pF capacitor between TCXO output and input of load.

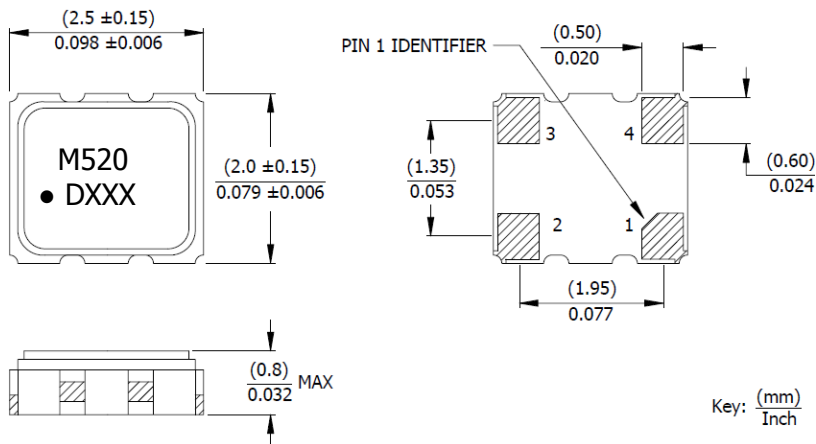
TEST CIRCUIT – RL//CL LOAD



* DC-Cut Capacitor

MECHANICAL SPECIFICATIONS

PACKAGE DRAWING



MARKING INFORMATION

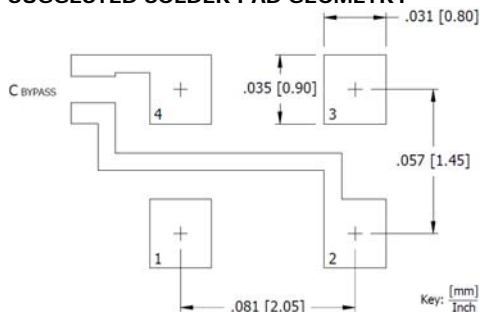
1. M520 - CTS Model Series.
2. ● – Pin 1 identifier.
3. D – Date code. See Table I for codes.
4. XXX – Frequency code. Reference CTS document 016-1454-01.

Complete CTS part number, frequency value and date code information must appear on reel and carton labels.

NOTES

1. DO NOT make connections to non-labeled pins and castellations, as they may have internal connections used in the manufacturing process.
2. Termination pads (e4); barrier plating is nickel (Ni) with gold (Au) flash plate.
3. Reflow conditions per JEDEC J-STD-020, 260°C maximum.

SUGGESTED SOLDER PAD GEOMETRY



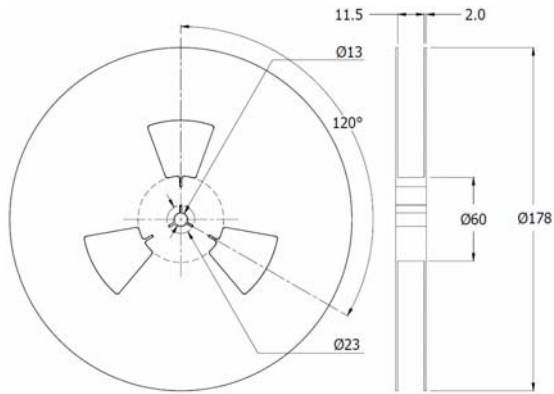
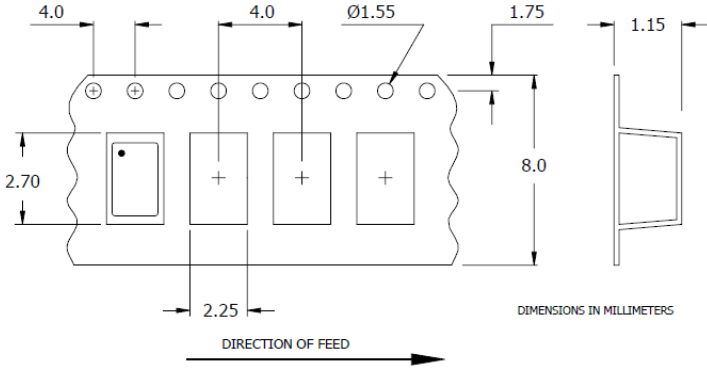
C_{BYPASS} should be $\geq 0.01 \mu F$.

TABLE I – DATE CODE

| YEAR | | MONTH | | | | | | | | | | | | | | |
|------|------|-------|------|------|-----|-----|-----|-----|-----|-----|-----|-----|-----|---|---|---|
| | | JAN | FEB | MAR | APR | MAY | JUN | JUL | AUG | SEP | OCT | NOV | DEC | | | |
| 2001 | 2005 | 2009 | 2013 | 2017 | A | B | C | D | E | F | G | H | J | K | L | M |
| 2002 | 2006 | 2010 | 2014 | 2018 | N | P | Q | R | S | T | U | V | W | X | Y | Z |
| 2003 | 2007 | 2011 | 2015 | 2019 | a | b | c | d | e | f | g | h | j | k | l | m |
| 2004 | 2008 | 2012 | 2016 | 2020 | n | p | q | r | s | t | u | v | w | x | y | z |

PACKAGING INFORMATION [Reference]

Device quantity is 1k pieces minimum and 3k maximum per 180mm reel.



Компания «Life Electronics» занимается поставками электронных компонентов импортного и отечественного производства от производителей и со складов крупных дистрибьюторов Европы, Америки и Азии.

С конца 2013 года компания активно расширяет линейку поставок компонентов по направлению коаксиальный кабель, кварцевые генераторы и конденсаторы (керамические, пленочные, электролитические), за счёт заключения дистрибьюторских договоров

Мы предлагаем:

- Конкуренеспособные цены и скидки постоянным клиентам.
- Специальные условия для постоянных клиентов.
- Подбор аналогов.
- Поставку компонентов в любых объемах, удовлетворяющих вашим потребностям.
- Приемлемые сроки поставки, возможна ускоренная поставка.
- Доставку товара в любую точку России и стран СНГ.
- Комплексную поставку.
- Работу по проектам и поставку образцов.
- Формирование склада под заказчика.
- Сертификаты соответствия на поставляемую продукцию (по желанию клиента).
- Тестирование поставляемой продукции.
- Поставку компонентов, требующих военную и космическую приемку.
- Входной контроль качества.
- Наличие сертификата ISO.

В составе нашей компании организован Конструкторский отдел, призванный помогать разработчикам, и инженерам.

Конструкторский отдел помогает осуществить:

- Регистрацию проекта у производителя компонентов.
- Техническую поддержку проекта.
- Защиту от снятия компонента с производства.
- Оценку стоимости проекта по компонентам.
- Изготовление тестовой платы монтаж и пусконаладочные работы.



Тел: +7 (812) 336 43 04 (многоканальный)

Email: org@lifeelectronics.ru

www.lifeelectronics.ru