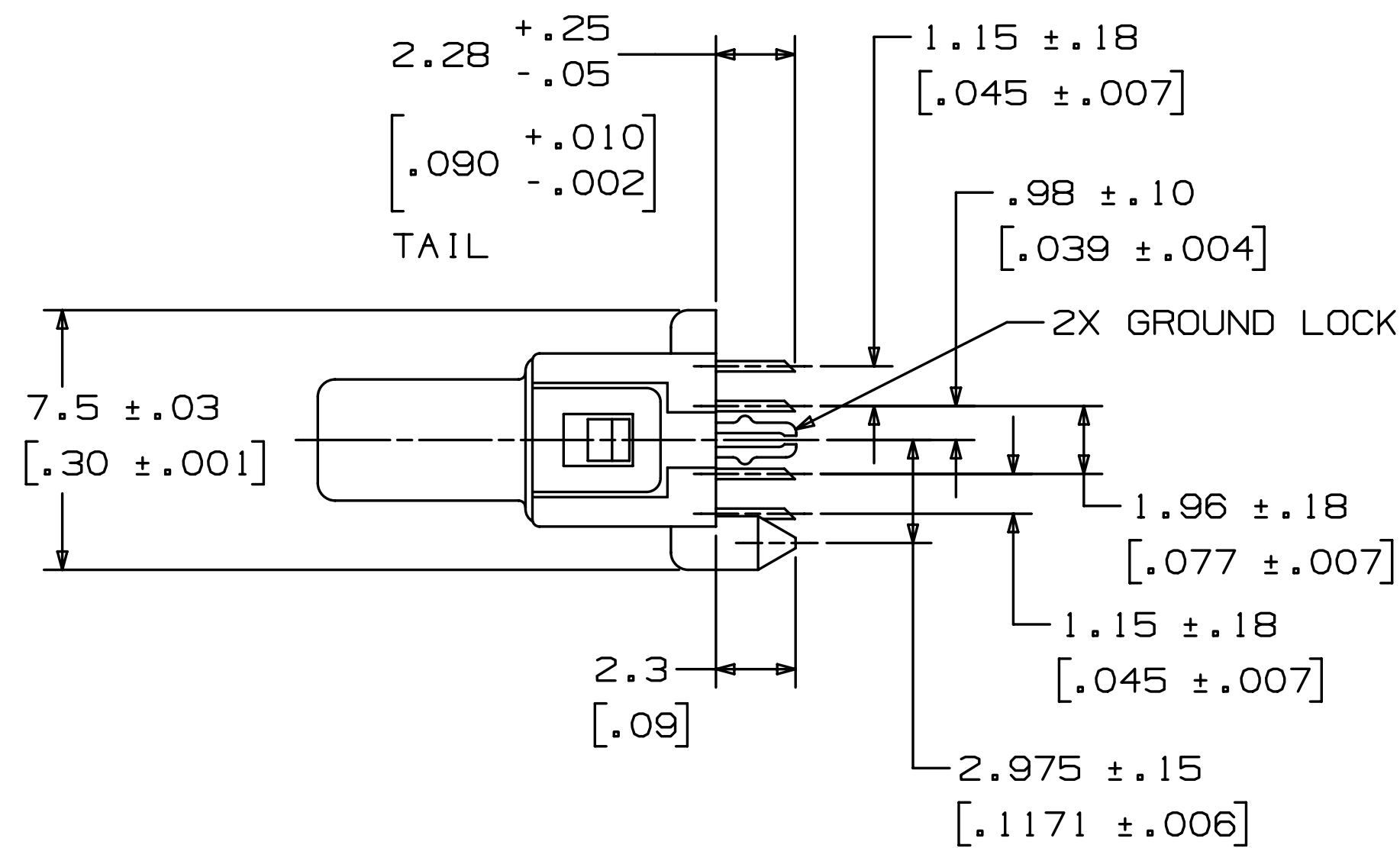
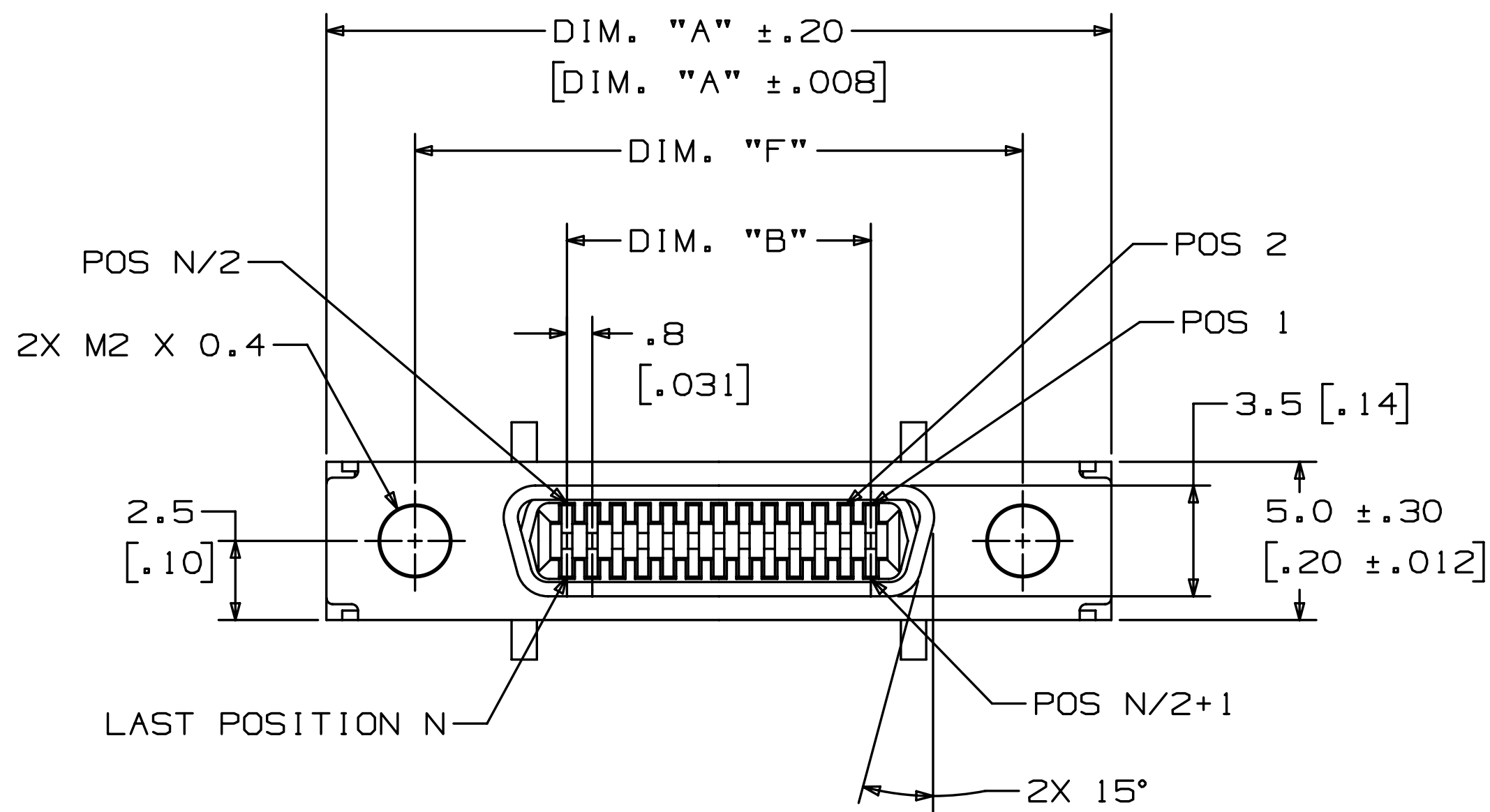
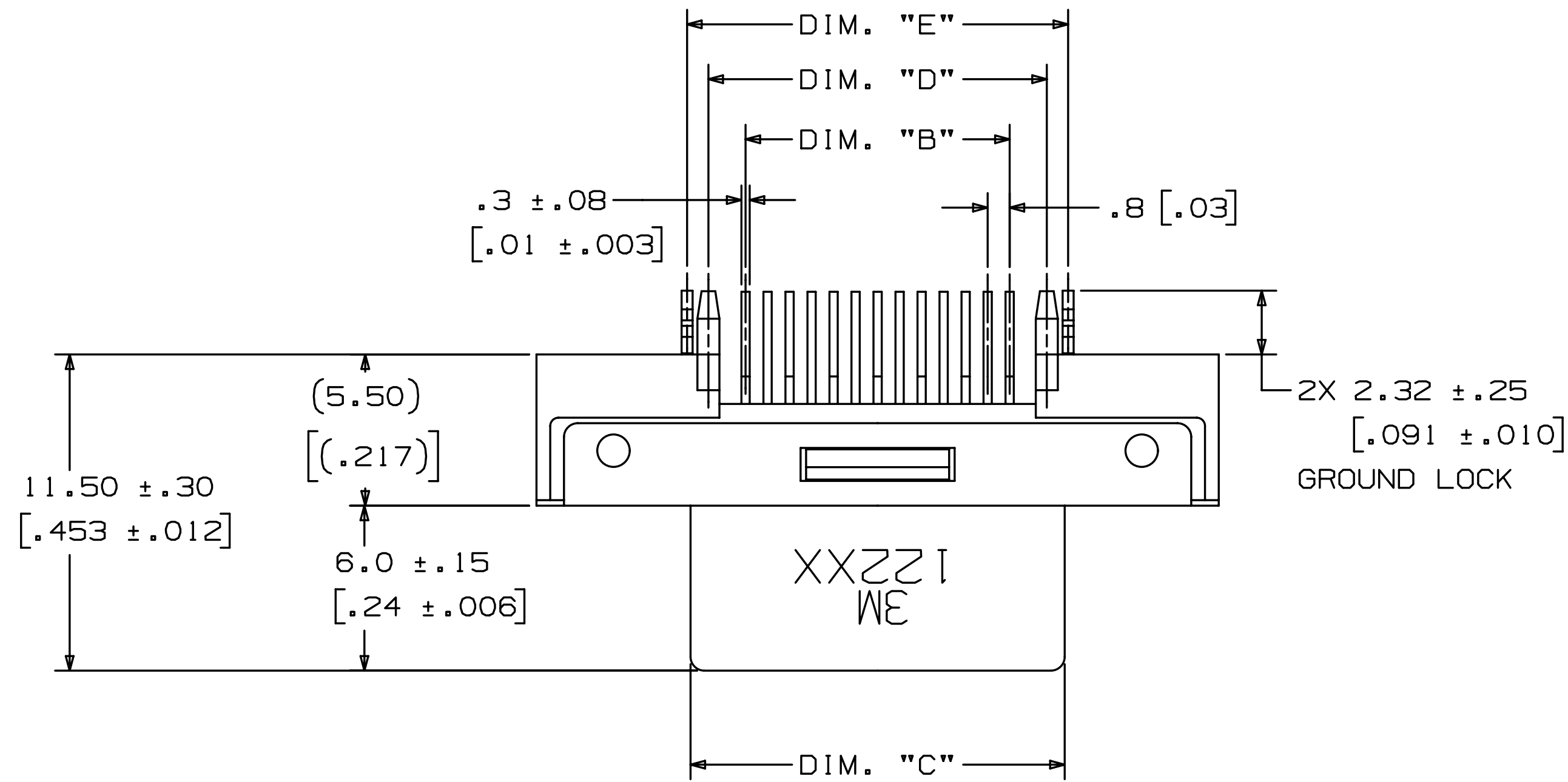


3M™ Shrunk Delta Ribbon (SDR) Connectors, 122 Series
 .80 mm Boardmount, Through-Hole, Vertical Receptacle, Shielded



- NOTES
- MATERIAL:
 INSULATION: HIGH TEMPERATURE NYLON
 COLOR: BLACK, UL94V-0

 CONTACT: COPPER ALLOY
 PLATING:
 UNDERPLATE: 2µm [80µ"] NICKEL
 WIPING AREA: .76µm [30µ"] GOLD
 TERMINATION AREA: GOLD FLASH OVER NICKEL

 SHROUD & LATCH HOOK: STEEL
 PLATING: NICKEL

 GROUND LOCK: COPPER ALLOY
 PLATING: SEMI-BRIGHT TIN OVER NICKEL

 LOCK SCREW: STEEL
 PLATING: NICKEL

 ALIGNMENT PLATE: PPS
 COLOR: BLACK, UL94V-0
 - MARKING: 3M LOGO AND PART NUMBER.
 - ELECTRICAL:
 CURRENT RATING: 0.5 A
 INSULATION RESISTANCE: 500 MΩ MIN AT 250 V_{DC}
 WITHSTANDING VOLTAGE: 350 V_{AC} FOR 1 MINUTE
 - ENVIRONMENTAL:
 TEMPERATURE RATING:
 -40° C TO +70° C
 PROCESS RATING:
 REFLOW: PREHEAT 150° TO 180° C,
 90 TO 120 SECONDS
 SOLDERING: OVER 220° C,
 30 TO 60 SECONDS, PEAK TEMPERATURE
 IS 250° C MAX.
 SOLDER IRON: 380° C MAX, 3 SECONDS MAX.
 WAVE SOLDERING: 260° C, 10 SECONDS, 2 TIMES
 OR 263° C, 5 SECONDS, 2 TIMES.
 * PRE-HEAT CONDITION:
 TEMP OF COMPONENTS: 100° C MAX.
 DURATION: 60 SECONDS MAX.
 - IN THE EVENT OF CONFLICT BETWEEN THIS DATA AND THAT CONTAINED IN THE PRODUCT SPECIFICATION, THE PRODUCT SPECIFICATION TAKES PRECEDENT.
 - FOR VARIOUS PANEL THICKNESS JACKSOCKETS REFER TO TS-0142.
 - SEE REGULATORY INFORMATION APPENDIX (RIA) IN THE "ROHS COMPLIANCE" SECTION OF WWW.3MCONNECTOR.COM FOR COMPLIANCE INFORMATION.

DIMENSIONS ARE IN MM.
 SECONDARY ARE IN [INCHES]
 AND ARE FOR REFERENCE ONLY

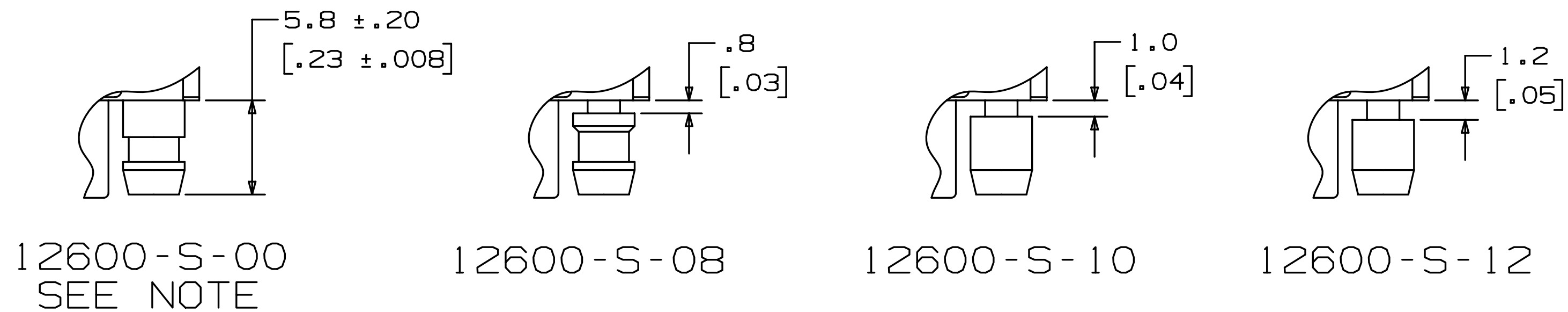
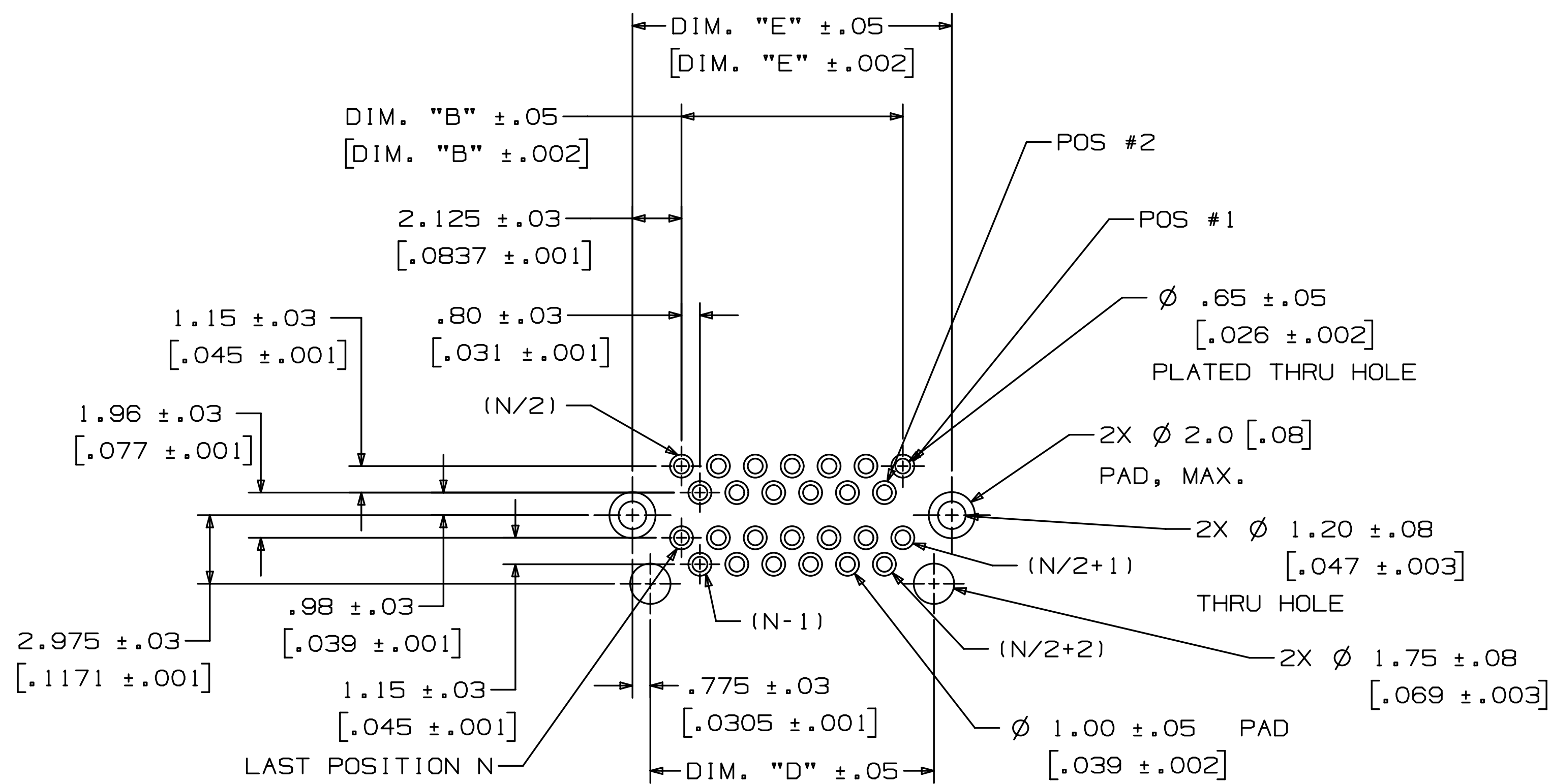
| POSITION | DIM. "A" | DIM. "B" | DIM. "C" | DIM. "D" | DIM. "E" | DIM. "F" |
|----------|--------------|---------------|--------------|----------------|----------------|--------------|
| 14 | 20.0 [.79] | 4.80 [.189] | 8.8 [.35] | 7.50 [.295] | 9.05 [.356] | 14.4 [.57] |
| 26 | 24.8 [.98] | 9.60 [.378] | 13.6 [.54] | 12.30 [.484] | 13.85 [.545] | 19.2 [.76] |

CONNECTOR DIMENSION TABLE
 TABLE 1

| | | | | | | |
|---------------------------------|---------------|--|------------------------------------|-------------------------------------|------|------|
| DESIGN REFERENCE | NEXT ASSEMBLY | REV | ECO | ISSUE DATE AND DESCRIPTION | DRFT | CHKD |
| | | | | JAN 10, 2011 REVISED AND REDRAWN | JNC | SC |
| DISTRIBUTION CODE | | APP'D | DATE | DATE | | |
| | | CASTIGLIONE | JAN 10, 2011 | | | |
| | | CHKD | DATE | DATE | | |
| | | D. CRONCH | | MAR 29, 2011 | | |
| DIVISION | DIVISION CODE | © 3M COPYRIGHT 2011 | | | | |
| Interconnect Solutions | ISD | This document and the information it contains are 3M property and may not be reproduced or further distributed without 3M permission, or used or disclosed other than for 3M authorized purposes. All rights reserved. | | | | |
| DO NOT SCALE DRAWING | SCALE 1 | TOLERANCES EXCEPT AS NOTED | 3M Center St. Paul, MN 55144 | | | |
| | | INCHES | TITLE | | | |
| | | .0 ± .006 | 3M SHRUNK DELTA RIBBON (SDR) CONN. | | | |
| | | .000 ± .006 | 122XX-11X0-00FR | | | |
| | | .0000 ± .005 | CAGE SIZE DRAWING NO. | | | |
| THIRD ANGLE PROJECTION | | MILLIMETERS | NUMBER D 78-5100-2126-0 | | | |
| INTERPRET PER ASME Y14.5 - 1994 | | 0 ± .15 | REV. | | | |
| MAX SURFACE ROUGHNESS | | .00 ± .15 | D | | | |
| UNFINISHED SURFACES | | .000 ± .13 | MODEL 122XX-1150-00 | | | |
| MARKED ONLY | | ANGLES | DET 15TS YES NO SHT 1 OF 2 | | | |



3M™ Shrunk Delta Ribbon (SDR) Connectors, 122 Series
 .80 mm Boardmount, Through-Hole, Vertical Receptacle, Shielded

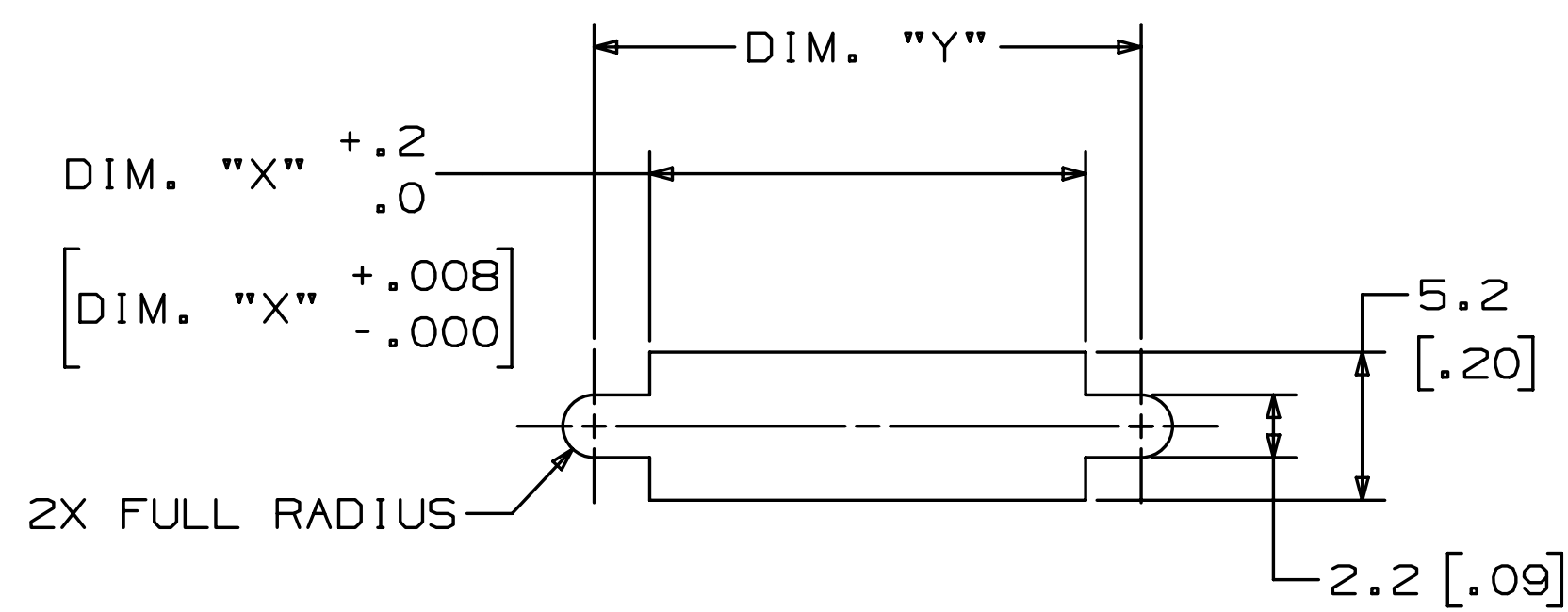


JACK SOCKET
 M2 X 0.4

NOTE: JACK SOCKET 12600-S-00 COMES FACTORY INSTALLED IN CONNECTOR 122XX-1150-00FR. IT IS FIXED WITH THREAD LOCKING ADHESIVE AND CANNOT BE REMOVED.

| PANEL THICKNESS | CONNECTOR | JACK SOCKET |
|-----------------|-----------------|-------------------------------|
| NO PANEL | 122XX-1150-00FR | FACTORY INSTALLED (SEE NOTE) |
| 0.8±0.1MM | 122XX-1100-00FR | 12600-S-08 (ORDER SEPARATELY) |
| 1.0±0.1MM | 122XX-1100-00FR | 12600-S-10 (ORDER SEPARATELY) |
| 1.2±0.1MM | 122XX-1100-00FR | 12600-S-12 (ORDER SEPARATELY) |

SELECTION TABLE FOR PANEL MOUNTING
 TABLE 3



| POSITION | DIM. "X" | DIM. "Y" |
|----------|------------|------------|
| 14 | 10.5 [.41] | 14.4 [.57] |
| 26 | 15.3 [.60] | 19.2 [.76] |

RECOMMENDED PANEL CUT-OUT DIMENSION TABLE
 TABLE 2

ORDERING INFORMATION:
 122XX-11X0-00FR

CONTACT QUANTITY (SEE TABLE 1)

SCREW LOCK OPTION: (SEE TABLE 3)
 0-NONE (RIA E1 & C1 APPLY)
 5-WITH 12600-S-00 NON-REMOVABLE SCREW LOCK (RIA E5 & C3 APPLY)

| | | | | | | |
|---------------------------------|---------------|--|------------------------------------|----------------------------|------|--------------|
| DESIGN REFERENCE | NEXT ASSEMBLY | REV | ECO | ISSUE DATE AND DESCRIPTION | DRFT | CHKD |
| | | | | JAN 10, 2011 | JNC | SC |
| DISTRIBUTION CODE | | DRFT | CASTIGLIONE | DATE | DATE | DATE |
| | | CHKD | | JAN 10, 2011 | | MAR 29, 2011 |
| DIVISION | DIVISION CODE | © 3M COPYRIGHT 2011 | | | | |
| Interconnect Solutions | ISD | This document and the information it contains are 3M property and may not be reproduced or further distributed without 3M permission, or used or disclosed other than for 3M authorized purposes. All rights reserved. | | | | |
| DO NOT SCALE DRAWING | SCALE 4/1 | TOLERANCES EXCEPT AS NOTED | 3M Center St. Paul, MN 55144 | | | |
| | | INCHES | TITLE | | | |
| | | .00 ± .006 | 3M SHRUNK DELTA RIBBON (SDR) CONN. | | | |
| | | .000 ± .006 | 122XX-11X0-00FR | | | |
| | | .0000 ± .005 | CAGE NUMBER | | | |
| THIRD ANGLE PROJECTION | | MILLIMETERS | D 78-5100-2126-0 | | | |
| | | 0 ± .15 | DRAWING NO. | | | |
| INTERPRET PER ASME Y14.5 - 1994 | | .00 ± .15 | D 78-5100-2126-0 | | | |
| | | .000 ± .13 | REV. | | | |
| MAX SURFACE ROUGHNESS | | ANSI B46.1 | D | | | |
| MARKED SURFACES | | | MODEL | | | |
| MARKED ONLY | | | 122XX-1150-00 | | | |
| | | | DET | | | |
| | | | LISTS YES NO SHT 2 OF 2 | | | |

78-5100-2126-0

Компания «Life Electronics» занимается поставками электронных компонентов импортного и отечественного производства от производителей и со складов крупных дистрибьюторов Европы, Америки и Азии.

С конца 2013 года компания активно расширяет линейку поставок компонентов по направлению коаксиальный кабель, кварцевые генераторы и конденсаторы (керамические, пленочные, электролитические), за счёт заключения дистрибьюторских договоров

Мы предлагаем:

- Конкурентоспособные цены и скидки постоянным клиентам.
- Специальные условия для постоянных клиентов.
- Подбор аналогов.
- Поставку компонентов в любых объемах, удовлетворяющих вашим потребностям.
- Приемлемые сроки поставки, возможна ускоренная поставка.
- Доставку товара в любую точку России и стран СНГ.
- Комплексную поставку.
- Работу по проектам и поставку образцов.
- Формирование склада под заказчика.
- Сертификаты соответствия на поставляемую продукцию (по желанию клиента).
- Тестирование поставляемой продукции.
- Поставку компонентов, требующих военную и космическую приемку.
- Входной контроль качества.
- Наличие сертификата ISO.

В составе нашей компании организован Конструкторский отдел, призванный помогать разработчикам, и инженерам.

Конструкторский отдел помогает осуществить:

- Регистрацию проекта у производителя компонентов.
- Техническую поддержку проекта.
- Защиту от снятия компонента с производства.
- Оценку стоимости проекта по компонентам.
- Изготовление тестовой платы монтаж и пусконаладочные работы.

