

SERIES 95C

6mm Square, Washable



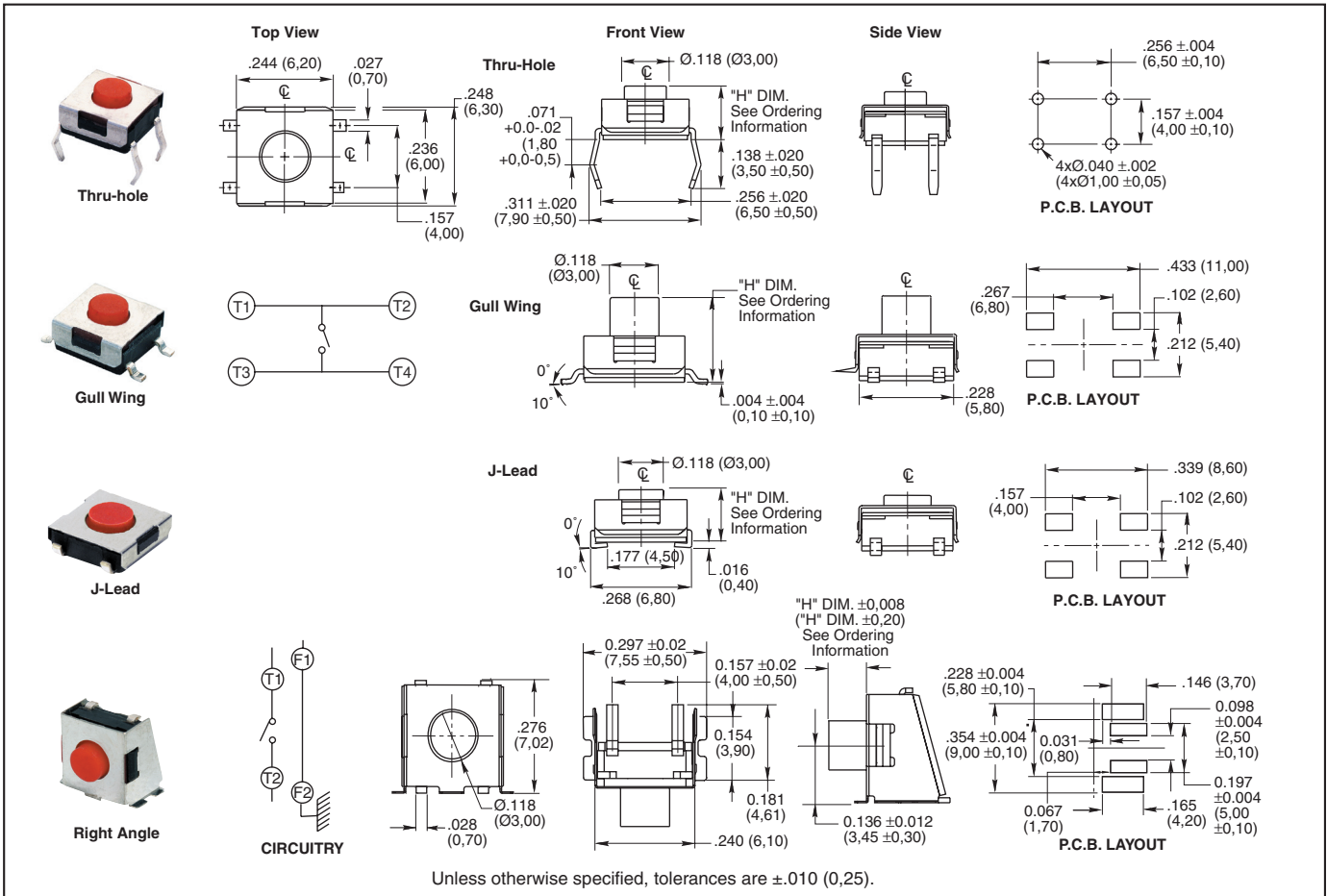
FEATURES

- Designed to Allow Submersed Washing After Soldering
- Excellent Tactile Feedback
- Thru-hole, Gull Wings, Right Angle, and J-Lead Versions
- Surface Mount Versions Compatible with SMT Assembly Including Infrared and Vapor Phase
- Ultraminiature and Lightweight Structure Suitable for High Density Mounting

Used in applications such as consumer electronics, audio equipment, PCs, VCRs, cable boxes, modems, communications equipment, controls, security and alarm equipment, and test and measurement equipment.

APPLICATIONS

DIMENSIONS: Washable Switches In inches (and millimeters)



SPECIFICATIONS:

Washable Switches

Materials

Base: UL94V-0 Nylon thermoplastic
Cover: Stainless steel, nickel silver
Actuator: Silicone rubber
Terminal: Brass with silver-plating
Contact: Stainless steel with silver-plating

Electrical

Rating: 50mA, 12 Vdc
Life: See table, page C-12
Actuator Travel: $.018'' \pm .008''$
Contact Resistance: 100 m Ω max.

Insulation Resistance: 100 M Ω min. at 500Vdc

Dielectric Strength: No dielectric breakdown after 250V for one minute

Contact Arrangement: single pole, single throw

Environmental

Operating Temp. Range: -25 to 70°C

Storage Temp. Range: -30 to 80°C

Mechanical Shock: MIL-STD-202F, Method 213B, Test Condition A. Gravity: 50G's (peak value), 11 msec. Direction and times: 6 sides and 3 times in each direction. High reliability.

Vibration: MIL-STD-202F, Method 201A.

Passed 6 hours (2 hours in each) of three perpendicular planes at a cycle of 10-55-10Hz/minute. High reliability.

Soldering Process

Hand Soldering: Use a soldering iron of 30 watts, controlled at 350°C for 5 seconds maximum while applying solder.

Reflow Soldering (surface mount versions only): Peak temperature 260°C (500°F).

Wave Soldering: 260°C (500°F) maximum for 5 seconds subject to PCB .063 in. (1,60 mm) thickness.

ORDERING INFORMATION: Washable Switches

Thru-Hole

| Part Number | Height ("H") in (mm) | Force (Grams) | Actuator Color | Electrical Life (Cycles) | Tube Packaging |
|-------------|----------------------|---------------|----------------|--------------------------|----------------|
| 95CW06A1T | .091 (2,3) | 160 | Silver | 100,000 | 75PCS/Tube |
| 95CW06B1T | .122 (3,1) | 160 | Brown | 100,000 | 75PCS/Tube |
| 95CW06C2T | .138 (3,5) | 180 | Brown | 500,000 | 75PCS/Tube |
| 95CW06C3T | .138 (3,5) | 260 | Red | 500,000 | 75PCS/Tube |
| 95CW06C5T | .138 (3,5) | 360 | Clear | 500,000 | 75PCS/Tube |
| 95CW06D2T | .150 (3,8) | 180 | Brown | 500,000 | 75PCS/Tube |
| 95CW06D3T | .150 (3,8) | 260 | Red | 500,000 | 75PCS/Tube |
| 95CW06D4T | .150 (3,8) | 520 | Yellow | 50,000 | 75PCS/Tube |
| 95CW06D5T | .150 (3,8) | 360 | Clear | 500,000 | 75PCS/Tube |
| 95CW06E2T | .205 (5,2) | 180 | Brown | 500,000 | 77PCS/Tube |
| 95CW06E3T | .205 (5,2) | 260 | Red | 500,000 | 77PCS/Tube |
| 95CW06E4T | .205 (5,2) | 520 | Yellow | 50,000 | 77PCS/Tube |
| 95CW06E5T | .205 (5,2) | 360 | Clear | 500,000 | 77PCS/Tube |

Gull Wing

| Part Number | Height ("H") in (mm) | Force (Grams) | Actuator Color | Electrical Life (Cycles) | Tube Packaging | Tape & Reel* Packaging |
|-------------|----------------------|---------------|----------------|--------------------------|----------------|------------------------|
| 95CW06A1GWT | .091 (2,29) | 160 | Silver | 100,000 | 75PCS/Tube | 2000PCS/Reel |
| 95CW06B1GWT | .122 (3,10) | 160 | Brown | 100,000 | 75PCS/Tube | 2000PCS/Reel |
| 95CW06C2GWT | .138 (3,51) | 180 | Brown | 500,000 | 75PCS/Tube | 1900PCS/Reel |
| 95CW06C3GWT | .138 (3,51) | 260 | Red | 500,000 | 75PCS/Tube | 1900PCS/Reel |
| 95CW06C5GWT | .138 (3,51) | 360 | Clear | 500,000 | 75PCS/Tube | 1900PCS/Reel |
| 95CW06D2GWT | .150 (3,81) | 180 | Brown | 500,000 | 75PCS/Tube | 1900PCS/Reel |
| 95CW06D3GWT | .150 (3,81) | 260 | Red | 500,000 | 75PCS/Tube | 1900PCS/Reel |
| 95CW06D4GWT | .150 (3,81) | 520 | Yellow | 50,000 | 75PCS/Tube | 1900PCS/Reel |
| 95CW06D5GWT | .150 (3,81) | 360 | Clear | 500,000 | 75PCS/Tube | 1900PCS/Reel |
| 95CW06E2GWT | .205 (5,21) | 180 | Brown | 500,000 | 75PCS/Tube | 900PCS/Reel |
| 95CW06E3GWT | .205 (5,21) | 260 | Red | 500,000 | 75PCS/Tube | 900PCS/Reel |
| 95CW06E4GWT | .205 (5,21) | 520 | Yellow | 50,000 | 75PCS/Tube | 900PCS/Reel |
| 95CW06E5GWT | .205 (5,21) | 360 | Clear | 500,000 | 75PCS/Tube | 900PCS/Reel |

J-Lead

| Part Number | Height ("H") in (mm) | Force (Grams) | Actuator Color | Electrical Life (Cycles) | Tube Packaging | Tape & Reel* Packaging |
|-------------|----------------------|---------------|----------------|--------------------------|----------------|------------------------|
| 95CW06A1JT | .091 (2,29) | 160 | Silver | 100,000 | 75PCS/Tube | 2000PCS/Reel |
| 95CW06B1JT | .122 (3,10) | 160 | Brown | 100,000 | 75PCS/Tube | 1900PCS/Reel |
| 95CW06C2JT | .138 (3,51) | 180 | Brown | 500,000 | 75PCS/Tube | 1800PCS/Reel |
| 95CW06C3JT | .138 (3,51) | 260 | Red | 500,000 | 75PCS/Tube | 1800PCS/Reel |
| 95CW06C5JT | .138 (3,51) | 360 | Clear | 500,000 | 75PCS/Tube | 1800PCS/Reel |
| 95CW06D2JT | .150 (3,81) | 180 | Brown | 500,000 | 75PCS/Tube | 1800PCS/Reel |
| 95CW06D3JT | .150 (3,81) | 260 | Red | 500,000 | 75PCS/Tube | 1800PCS/Reel |
| 95CW06D4JT | .150 (3,81) | 520 | Yellow | 50,000 | 75PCS/Tube | 1800PCS/Reel |
| 95CW06D5JT | .150 (3,81) | 360 | Clear | 500,000 | 75PCS/Tube | 1800PCS/Reel |
| 95CW06E2JT | .205 (5,21) | 180 | Brown | 500,000 | 75PCS/Tube | 900PCS/Reel |
| 95CW06E3JT | .205 (5,21) | 260 | Red | 500,000 | 75PCS/Tube | 900PCS/Reel |
| 95CW06E4JT | .205 (5,21) | 520 | Yellow | 50,000 | 75PCS/Tube | 900PCS/Reel |
| 95CW06E5JT | .205 (5,21) | 360 | Clear | 500,000 | 75PCS/Tube | 900PCS/Reel |

Right Angle

| Part Number | Height in ("H") (mm) | Force (Grams) | Actuator Color | Electrical Life (Cycles) | Tape & Reel Packaging |
|--------------|----------------------|---------------|----------------|--------------------------|-----------------------|
| 95CW06A3RART | .031 (0,79) | 260 | Red | 500,0000 | 700PCS/Reel |
| 95CW06B3RART | .039 (0,99) | 260 | Red | 500,0000 | 700PCS/Reel |
| 95CW06C3RART | .091 (2,31) | 260 | Red | 500,0000 | 700PCS/Reel |

Available from your local Grayhill Component Distributor. *Insert "R" before "T" for tape and reel packaging. For prices and discounts, contact a local Sales Office, an authorized local distributor, or Grayhill.

Компания «Life Electronics» занимается поставками электронных компонентов импортного и отечественного производства от производителей и со складов крупных дистрибьюторов Европы, Америки и Азии.

С конца 2013 года компания активно расширяет линейку поставок компонентов по направлению коаксиальный кабель, кварцевые генераторы и конденсаторы (керамические, пленочные, электролитические), за счёт заключения дистрибьюторских договоров

Мы предлагаем:

- Конкуренеспособные цены и скидки постоянным клиентам.
- Специальные условия для постоянных клиентов.
- Подбор аналогов.
- Поставку компонентов в любых объемах, удовлетворяющих вашим потребностям.
- Приемлемые сроки поставки, возможна ускоренная поставка.
- Доставку товара в любую точку России и стран СНГ.
- Комплексную поставку.
- Работу по проектам и поставку образцов.
- Формирование склада под заказчика.
- Сертификаты соответствия на поставляемую продукцию (по желанию клиента).
- Тестирование поставляемой продукции.
- Поставку компонентов, требующих военную и космическую приемку.
- Входной контроль качества.
- Наличие сертификата ISO.

В составе нашей компании организован Конструкторский отдел, призванный помогать разработчикам, и инженерам.

Конструкторский отдел помогает осуществить:

- Регистрацию проекта у производителя компонентов.
- Техническую поддержку проекта.
- Защиту от снятия компонента с производства.
- Оценку стоимости проекта по компонентам.
- Изготовление тестовой платы монтаж и пусконаладочные работы.



Тел: +7 (812) 336 43 04 (многоканальный)

Email: org@lifeelectronics.ru