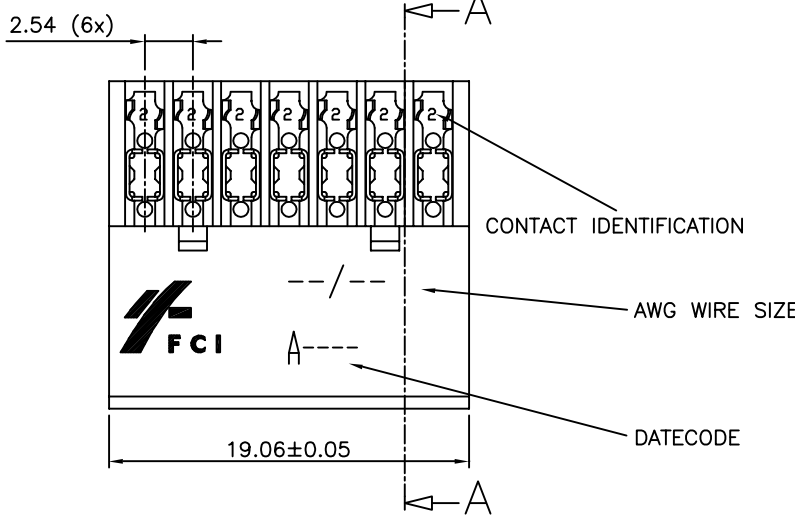
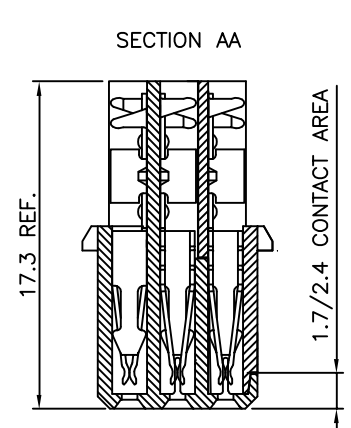




FCIconnect.com

Copyright FCI



PRODUCT NUMBER BPS8B21FLD-C0--LF

WITH "LF" SUFFIX LEAD FREE OR RoHS COMPATIBLE PRODUCT

WIRE ACCOMODATION			CONTACT PLATING	
PRODUCT NUMBER	WIRE SIZE	CONTACT IDENTIFICATION	PLATING CODE	PERFORMANCE LEVEL PER DIN41612
BPS8B21FLD0C0--LF	AWG28/30	0	Z0	CLASS 3
BPS8B21FLD2C0--LF	AWG24/26	2	Z1	CLASS 2
			E9	CLASS 1

NOTES:-

1. THE "LF" PRODUCTS MEET EUROPEAN UNION DIRECTIVES AND OTHER COUNTRY REGULATIONS AS DESCRIBED IN GS-22-008
2. LEAD FREE OR RoHS DIRECTIVE LABELING TO BE PROVIDED AS PER GS-14-920 FOR RoHS COMPATIBLE VERSION.

PERFORMANCES CHARACTERISTICS

VOLTAGE RATING : 250 VAC (rms)

CURRENT RATING : 1,5 A AT 25 °C, 1 A AT 70 °C.

INSULATION RESISTANCE : 1000MΩINITIAL, 100MΩMIN. AFTER TEST

DIELECTRIC WITH-

STANDING VOLTAGE : 1000 VAC (rms).

CONTACT RESISTANCE : 15mΩMAX. INITIAL, 5mΩMAX. RISE OF INITIAL VALUE AFTER TEST.

OPERATING TEMPERATURE*: -40 °C TO +125 °C.

INSERTION FORCE : 1 N MAX./CONTACT.

WITHDRAWAL FORCE : 0,2 N MIN./CONTACT.

*DEPENDING ON THE CABLE, THE MAX. TEMPERATURE CAN BE LOWER. FOR STANDARD PVC INSULATED CABLE : 105 °C MAX.

CONSTRUCTION

BODY MATERIAL : GLASS-REINFORCED THERMOPLASTIC (UL94V-0).

COVER MATERIAL : POLYESTER (PBTP), COLOUR : BLACK.

CONTACT MATERIAL : PHOSPHOR BRONZE.

CONTACT FINISH : Au OVER Ni IN CONTACT AREA
Sn (MATT TIN) ON I.D.C. TERMINAL

Z0 : PERFORMANCE LEVEL PER DIN41612 CLASS 3
Z1 : PERFORMANCE LEVEL PER DIN41612 CLASS 2
E9 : PERFORMANCE LEVEL PER DIN41612 CLASS 1
OTHERS : CONSULT FCI

TIE-WRAP : OPTIONAL PART N°. TF3.

PART NUMBERS

BPS8B21FLD0C0--LF CONNECTOR FOR WIRE SIZE AWG28, AWG30.
(CONTACT IDENTIFICATION : 0).

BPS8B21FLD2C0--LF CONNECTOR FOR WIRE SIZE AWG24, AWG26
(CONTACT IDENTIFICATION : 2).

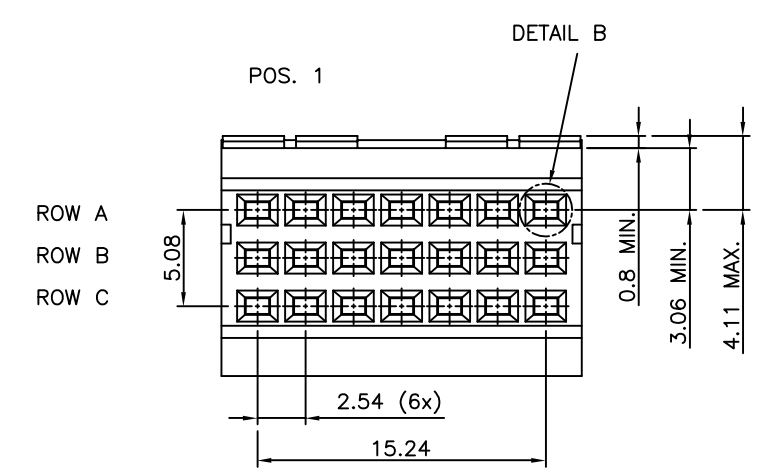
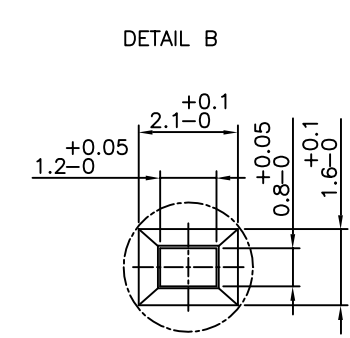
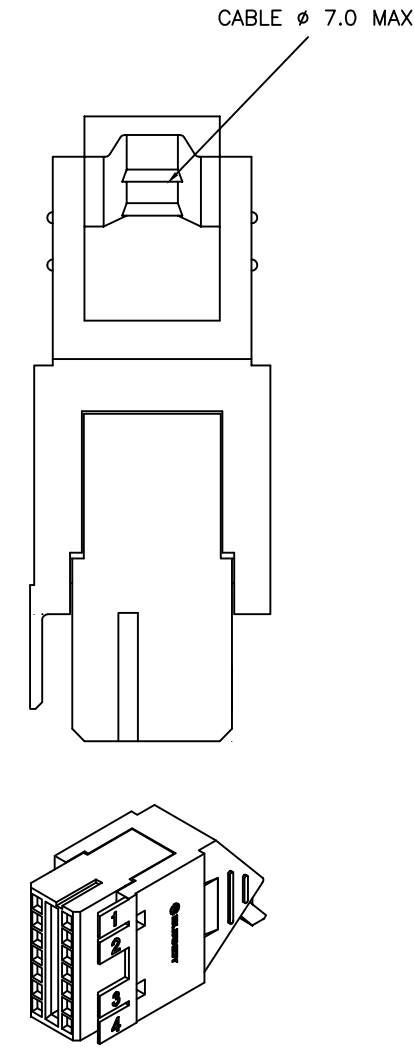
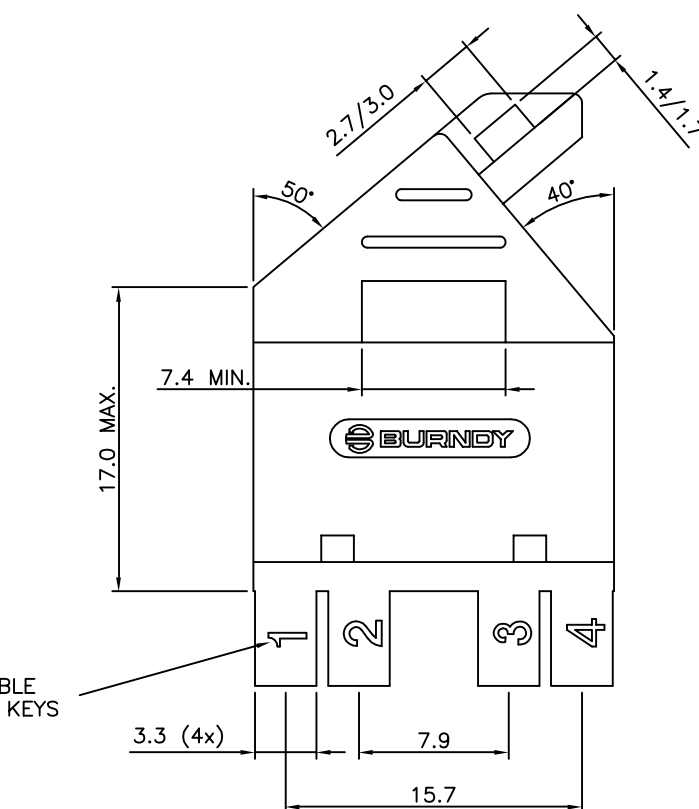
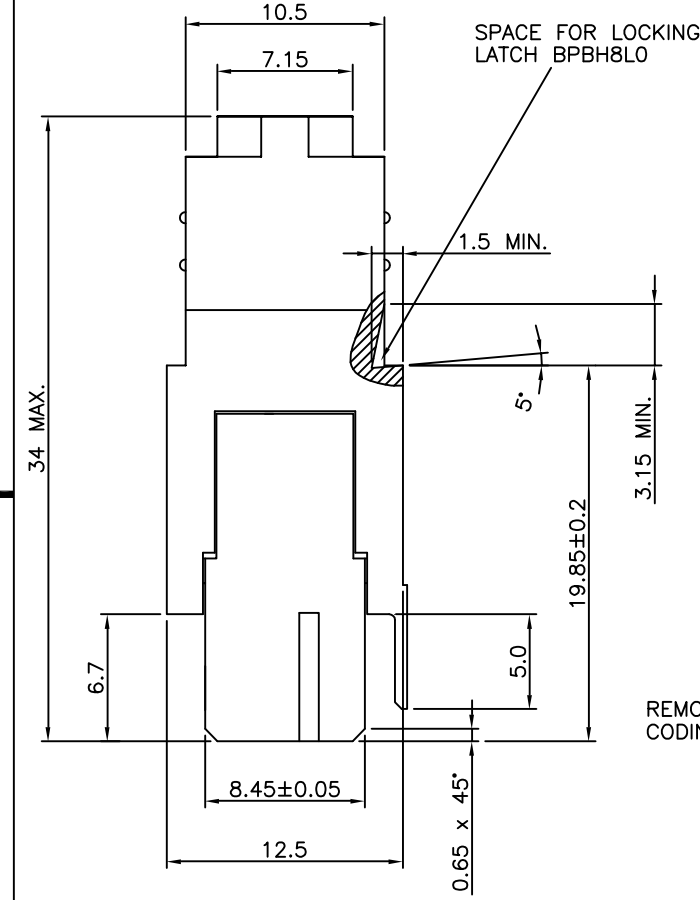
AWG WIRE SIZE MARKING

BPS8B21FLD0C0--LF : 28/30.

BPS8B21FLD2C0--LF : 24/26.

DATECODE MARKING

A + YEAR & WEEKCODE, EXAMPLE : A9950.



mat'l. code		surface		tolerance		projection		product family	
SEE NOTE		ISO 1302 ✓		ISO 406 ISO 1101				BPS8	
ltr		ecn no		dr		date		title	
A		F00819		DLE		2000-10-23		ASSY BPS8	
B		105-0123		MINI		2005-07-27		21 POS. A,B,C LOADED	
C		106-0067		MINI		2006-06-01			
D		107-0081		KR		2007-06-28			
sheet index		revision		D		D		dwg no	
sheet		sheet		1		2		55355	
				D		D		sheet 1 of 3	
				3		3		size A3	
								type Product Customer Drawing	

PRODUCT NUMBER BPS8B21FLD-00--LF

WITH "LF" SUFFIX LEAD FREE OR RoHS COMPATIBLE PRODUCT

NOTES:-
 1. THE "LF" PRODUCTS MEET EUROPEAN UNION DIRECTIVES AND OTHER COUNTRY REGULATIONS AS DESCRIBED IN GS-22-008
 2. LEAD FREE OR RoHS DIRECTIVE LABELING TO BE PROVIDED AS PER GS-14-920 FOR RoHS COMPATIBLE VERSION.

WIRE ACCOMODATION		
PRODUCT NUMBER	WIRE SIZE	CONTACT IDENTIFICATION
BPS8B21FLD000--LF	AWG28/30	0
BPS8B21FLD200--LF	AWG24/26	2

CONTACT PLATING	
PLATING CODE	PERFORMANCE LEVEL PER DIN41612
Z0	CLASS 3
Z1	CLASS 2
E9	CLASS 1

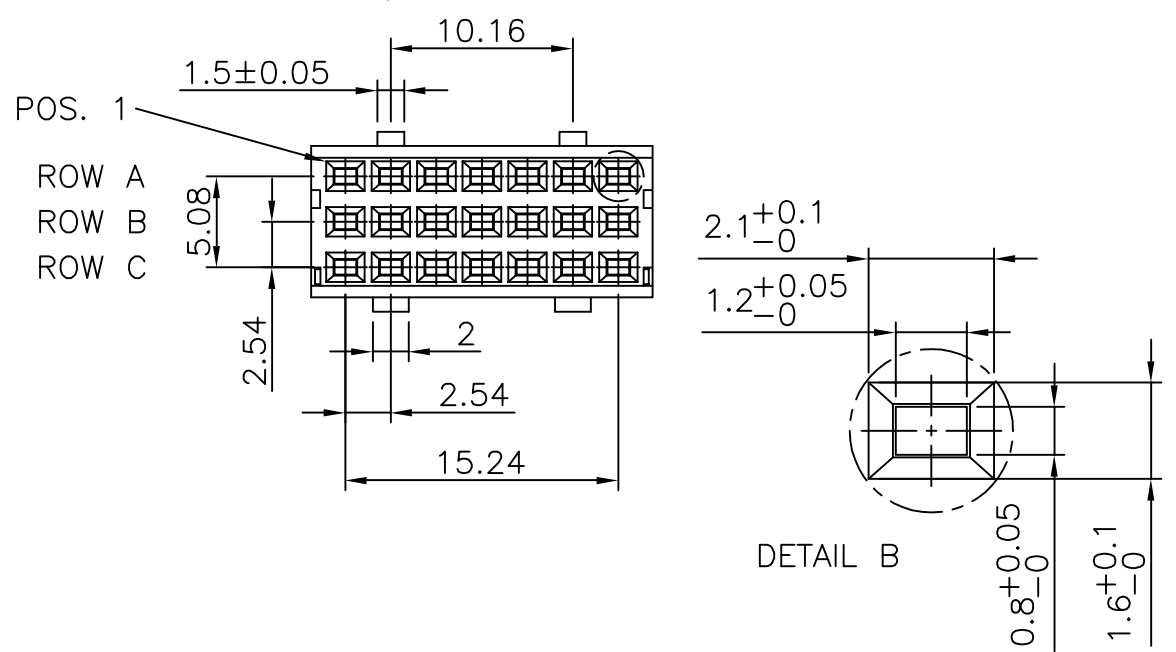
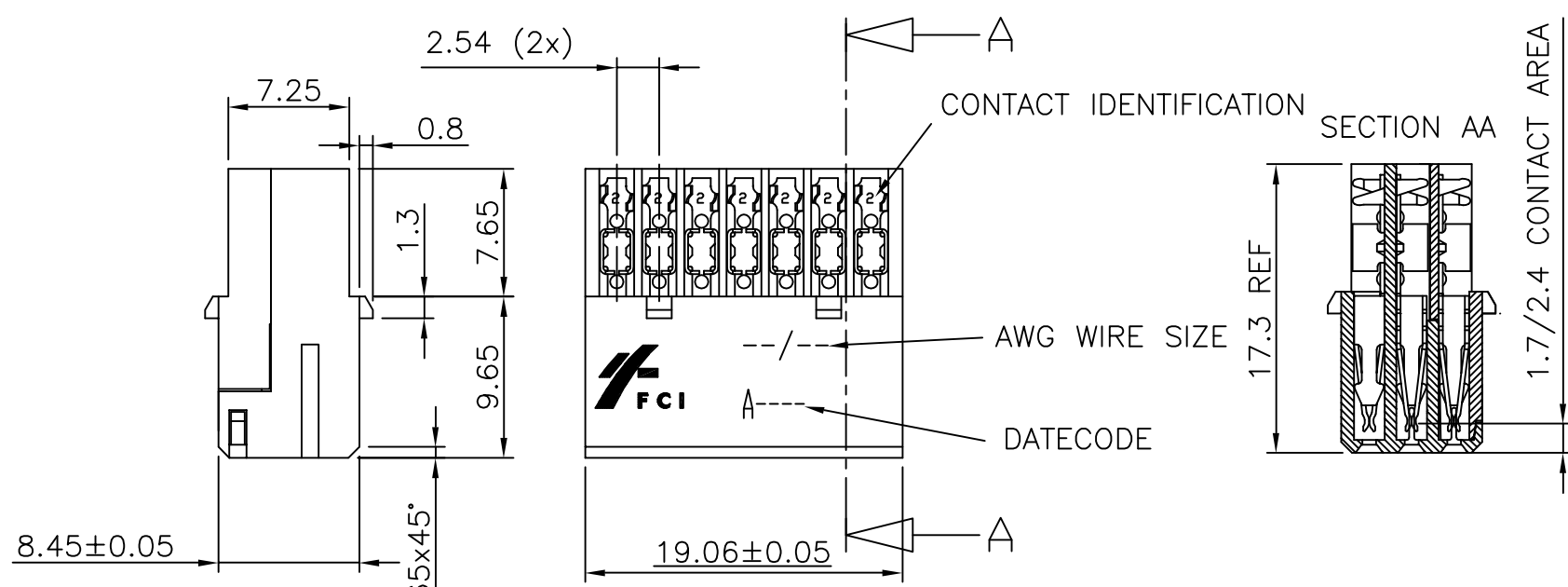
PERFORMANCES CHARACTERISTICS
 VOLTAGE RATING : 250 VAC (rms)
 CURRENT RATING : 1,5 A AT 25 °C, 1 A AT 70 °C.
 INSULATION RESISTANCE : 1000MΩINITIAL, 100MΩMIN. AFTER TEST
 DIELECTRIC WITH-
 STANDING VOLTAGE : 1000 VAC (rms).
 CONTACT RESISTANCE : 15 mΩMAX. INITIAL, 5mΩMAX. RISE OF INITIAL VALUE AFTER TEST.
 OPERATING TEMPERATURE*: -40 °C TO +125 °C.
 INSERTION FORCE : 1 N MAX./CONTACT.
 WITHDRAWAL FORCE : 0,2 N MIN./CONTACT.
 *DEPENDING ON THE CABLE, THE MAX. TEMPERATURE CAN BE LOWER. FOR STANDARD PVC INSULATED CABLE : 105 °C MAX.

CONSTRUCTION
 BODY MATERIAL : GLASS-REINFORCED THERMOPLASTIC (UL94V-0).
 CONTACT MATERIAL : PHOSPHOR BRONZE.
 CONTACT FINISH : Au OVER Ni IN CONTACT AREA
 Sn (MATT TIN) ON I.D.C. TERMINAL
 Z0 : PERFORMANCE LEVEL PER DIN41612 CLASS 3
 Z1 : PERFORMANCE LEVEL PER DIN41612 CLASS 2
 E9 : PERFORMANCE LEVEL PER DIN41612 CLASS 1
 OTHERS : CONSULT FCI

PART NUMBERS
 BPS8B21FLD000--LF CONNECTOR FOR WIRE SIZE AWG28, AWG30. (CONTACT IDENTIFICATION : 0).
 BPS8B21FLD200--LF CONNECTOR FOR WIRE SIZE AWG24, AWG26 (CONTACT IDENTIFICATION : 2).

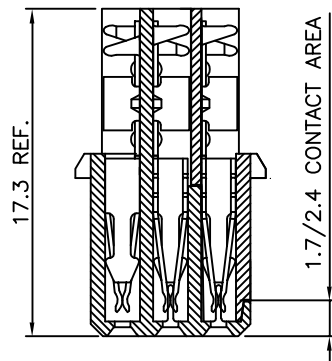
AWG WIRE SIZE MARKING
 BPS8B21FLD000--LF : 28/30
 BPS8B21FLD200--LF : 24/26

DATECODE MARKING
 A + YEAR & WEEKCODE, EXAMPLE : A9950.

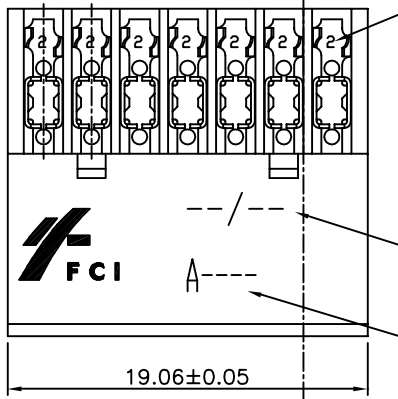


mat'l. code		surface		tolerance		projection		product family	
SEE NOTE		ISO 1302 ✓		ISO 406 ISO 1101		mm		BPS8	
tolerances unless otherwise specified		angles		linear		scale -		title	
A F00819 DLE 2000-10-19		linear		0.1±0.2		mm		ASSY BPS8	
B 105-0123 MINI 2005-07-27		linear		0.01±0.1		mm		21 POS. A,B,C LOADED	
C 106-0067 MINI 2006-06-01		linear		±1°		mm		dwg no	
D 107-0081 KR 2007-06-28		linear		±1°		mm		sheet 2 of 3	
sheet index		revision sheet		dr D.LEGRAND 2000-10-19		FCI		55355	
				enr J.F.NOTTEAU 2000-10-19				A3	
				chr RAKHEE GEORGE 2007-06-28				type	
				appd RAKHEE GEORGE 2007-06-28				Product Customer Drawing	

SECTION AA



2.54 (6x)



CONTACT IDENTIFICATION

AWG WIRE SIZE

DATECODE

19.06±0.05

NOTES:-

1. THE "LF" PRODUCTS MEET EUROPEAN UNION DIRECTIVES AND OTHER COUNTRY REGULATIONS AS DESCRIBED IN GS-22-008
2. LEAD FREE OR RoHS DIRECTIVE LABELING TO BE PROVIDED AS PER GS-14-920 FOR RoHS COMPATIBLE VERSION.

PRODUCT NUMBER BPS8B21FLD-M0--LF

WITH "LF" SUFFIX LEAD FREE OR RoHS COMPATIBLE PRODUCT

WIRE ACCOMODATION		
PRODUCT NUMBER	WIRE SIZE	CONTACT IDENTIFICATION
BPS8B21FLD0M0--LF	AWG28/30	0
BPS8B21FLD2M0--LF	AWG24/26	2

CONTACT PLATING	
PLATING CODE	PERFORMANCE LEVEL PER DIN41612
Z0	CLASS 3
Z1	CLASS 2
E9	CLASS 1

PERFORMANCES CHARACTERISTICS

VOLTAGE RATING : 250 VAC (rms)

CURRENT RATING : 1,5 A AT 25 °C, 1 A AT 70 °C.

INSULATION RESISTANCE : 1000MΩINITIAL, 100MΩMIN. AFTER TEST

DIELECTRIC WITHSTANDING VOLTAGE : 1000 VAC (rms).

CONTACT RESISTANCE : 15mΩMAX. INITIAL, 5mΩMAX. RISE OF INITIAL VALUE AFTER TEST.

OPERATING TEMPERATURE*: -40 °C TO +125 °C.

INSERTION FORCE : 1 N MAX./CONTACT.

WITHDRAWAL FORCE : 0,2 N MIN./CONTACT.

*DEPENDING ON THE CABLE, THE MAX. TEMPERATURE CAN BE LOWER. FOR STANDARD PVC INSULATED CABLE : 105 °C MAX.

CONSTRUCTION

BODY MATERIAL : GLASS-REINFORCED THERMOPLASTIC (UL94V-0).

COVER MATERIAL : Ni PLATED ABS MATERIAL

CONTACT MATERIAL : PHOSPHOR BRONZE.

CONTACT FINISH : Au OVER Ni IN CONTACT AREA
Sn (MATT TIN) ON I.D.C. TERMINAL

Z0 : PERFORMANCE LEVEL PER DIN41612 CLASS 3
Z1 : PERFORMANCE LEVEL PER DIN41612 CLASS 2
E9 : PERFORMANCE LEVEL PER DIN41612 CLASS 1
OTHERS : CONSULT FCI

TIE-WRAP : OPTIONAL (PART N°. TF3)

PART NUMBERS

BPS8B21FLD0M0--LF CONNECTOR FOR WIRE SIZE AWG28, AWG30. (CONTACT IDENTIFICATION : 0).

BPS8B21FLD2M0--LF CONNECTOR FOR WIRE SIZE AWG24, AWG26 (CONTACT IDENTIFICATION : 2).

AWG WIRE SIZE MARKING

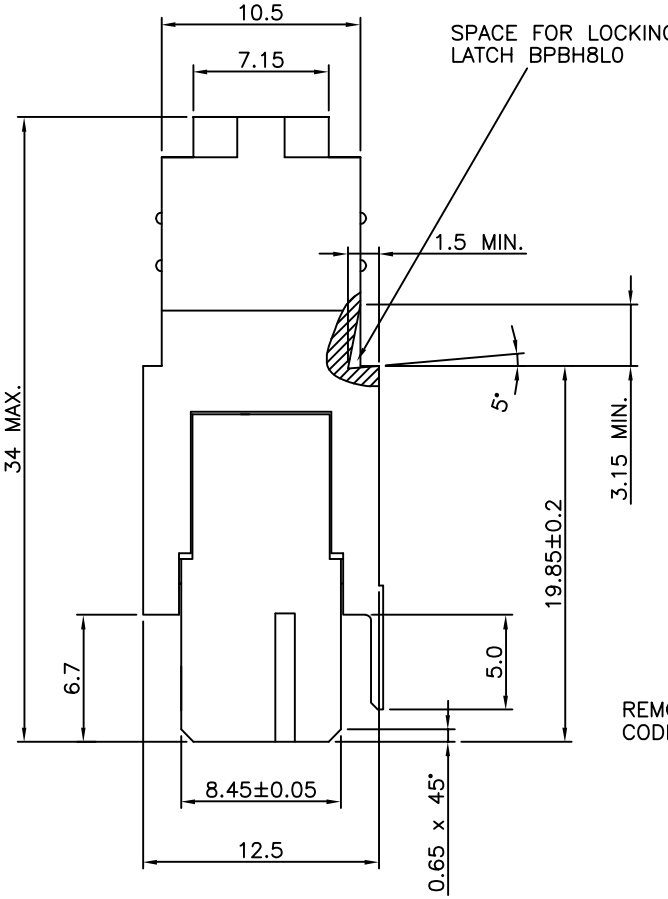
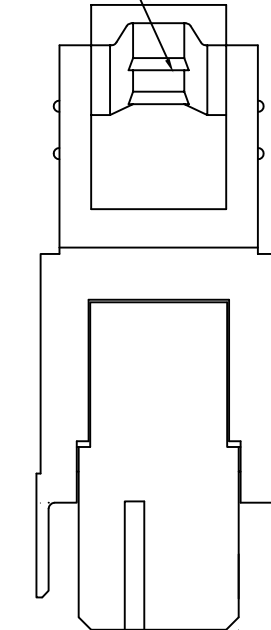
BPS8B21FLD0M0--LF : 28/30.

BPS8B21FLD2M0--LF : 24/26.

DATECODE MARKING

A + YEAR & WEEKCODE, EXAMPLE : A9950.

CABLE Ø 7.0 MAX.



SPACE FOR LOCKING LATCH BPPBH8L0

1.5 MIN.

5°

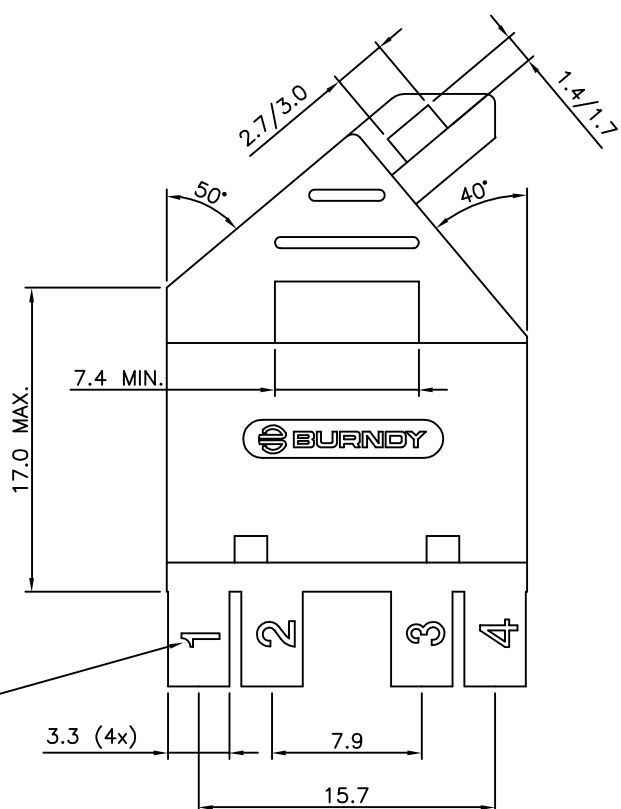
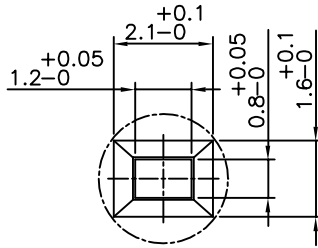
3.15 MIN.

19.85±0.2

0.65 x 45°

5.0

DETAIL B



REMOVABLE CODING KEYS

17.0 MAX.

7.4 MIN.

3.3 (4x)

7.9

15.7

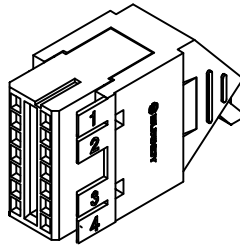
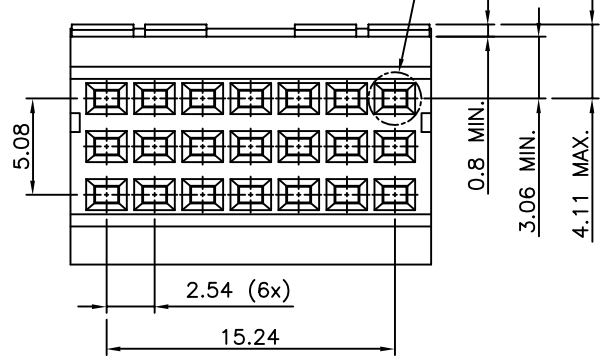
POS. 1

DETAIL B

ROW A

ROW B

ROW C



mat'l. code		surface		tolerance		projection		product family	
SEE NOTE		ISO 1302 ✓		ISO 406 ISO 1101		mm		BPS8	
tolerances unless otherwise specified		angles		linear		mm		title	
A F00819 DLE 2000-10-23		0.1±0.2		0.01±0.1		mm		ASSY BPS8	
B I05-0123 MINI 2005-07-27		±1°		±1°		mm		21 POS. A,B,C LOADED	
C I06-0067 MINI 2006-06-01		±1°		±1°		mm		dwg no	
D I07-0081 KR 2007-06-28		D.LEGRAND 2000-10-23		J.F.NOTTEAU 2000-10-23		FCI		sheet 3 of 3 size	
engr RAKHEE GEORGE 2007-06-28		appd RAKHEE GEORGE 2007-06-28		type		Product Customer Drawing		55355 A3	
sheet index		revision sheet							



Copyright FCI

Компания «Life Electronics» занимается поставками электронных компонентов импортного и отечественного производства от производителей и со складов крупных дистрибьюторов Европы, Америки и Азии.

С конца 2013 года компания активно расширяет линейку поставок компонентов по направлению коаксиальный кабель, кварцевые генераторы и конденсаторы (керамические, пленочные, электролитические), за счёт заключения дистрибьюторских договоров

Мы предлагаем:

- Конкурентоспособные цены и скидки постоянным клиентам.
- Специальные условия для постоянных клиентов.
- Подбор аналогов.
- Поставку компонентов в любых объемах, удовлетворяющих вашим потребностям.
- Приемлемые сроки поставки, возможна ускоренная поставка.
- Доставку товара в любую точку России и стран СНГ.
- Комплексную поставку.
- Работу по проектам и поставку образцов.
- Формирование склада под заказчика.
- Сертификаты соответствия на поставляемую продукцию (по желанию клиента).
- Тестирование поставляемой продукции.
- Поставку компонентов, требующих военную и космическую приемку.
- Входной контроль качества.
- Наличие сертификата ISO.

В составе нашей компании организован Конструкторский отдел, призванный помогать разработчикам, и инженерам.

Конструкторский отдел помогает осуществить:

- Регистрацию проекта у производителя компонентов.
- Техническую поддержку проекта.
- Защиту от снятия компонента с производства.
- Оценку стоимости проекта по компонентам.
- Изготовление тестовой платы монтаж и пусконаладочные работы.



Тел: +7 (812) 336 43 04 (многоканальный)

Email: org@lifeelectronics.ru