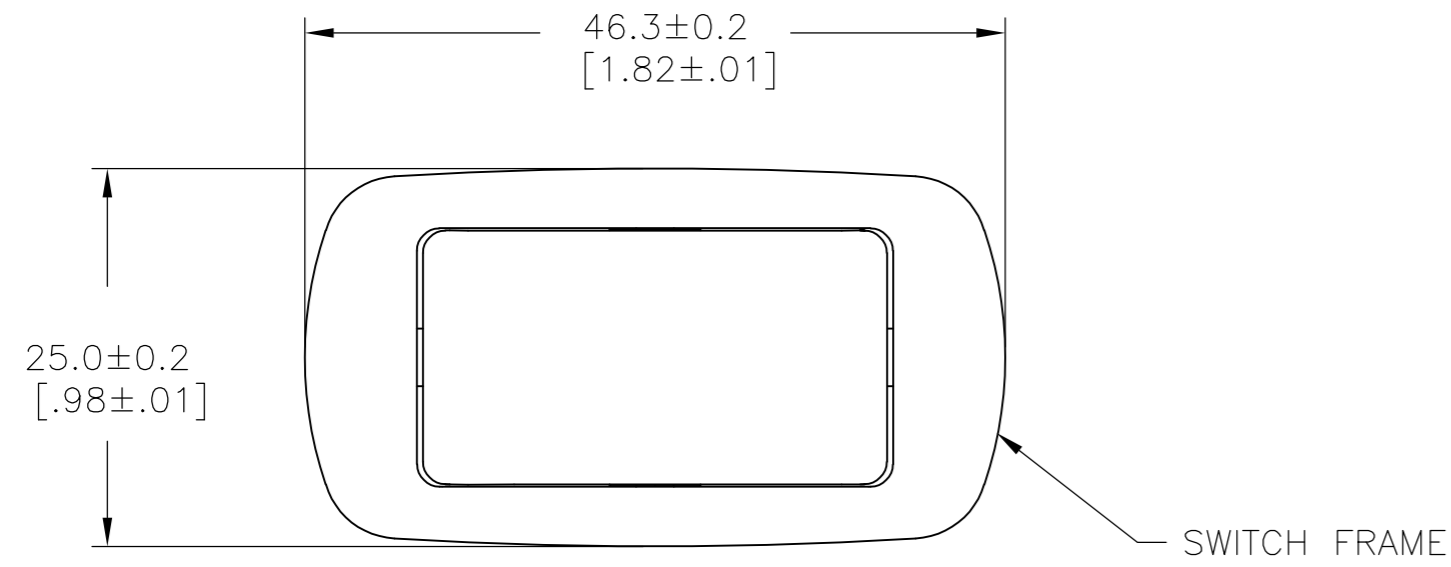
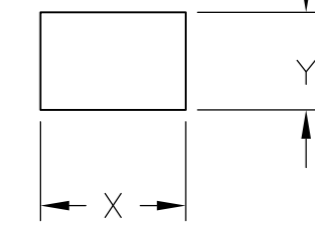


THIS DRAWING IS UNPUBLISHED. RELEASED FOR PUBLICATION
 © COPYRIGHT BY TYCO ELECTRONICS CORPORATION. ALL INTERNATIONAL RIGHTS RESERVED.

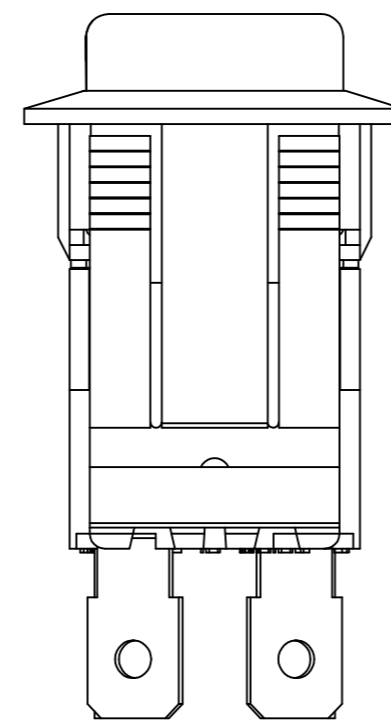
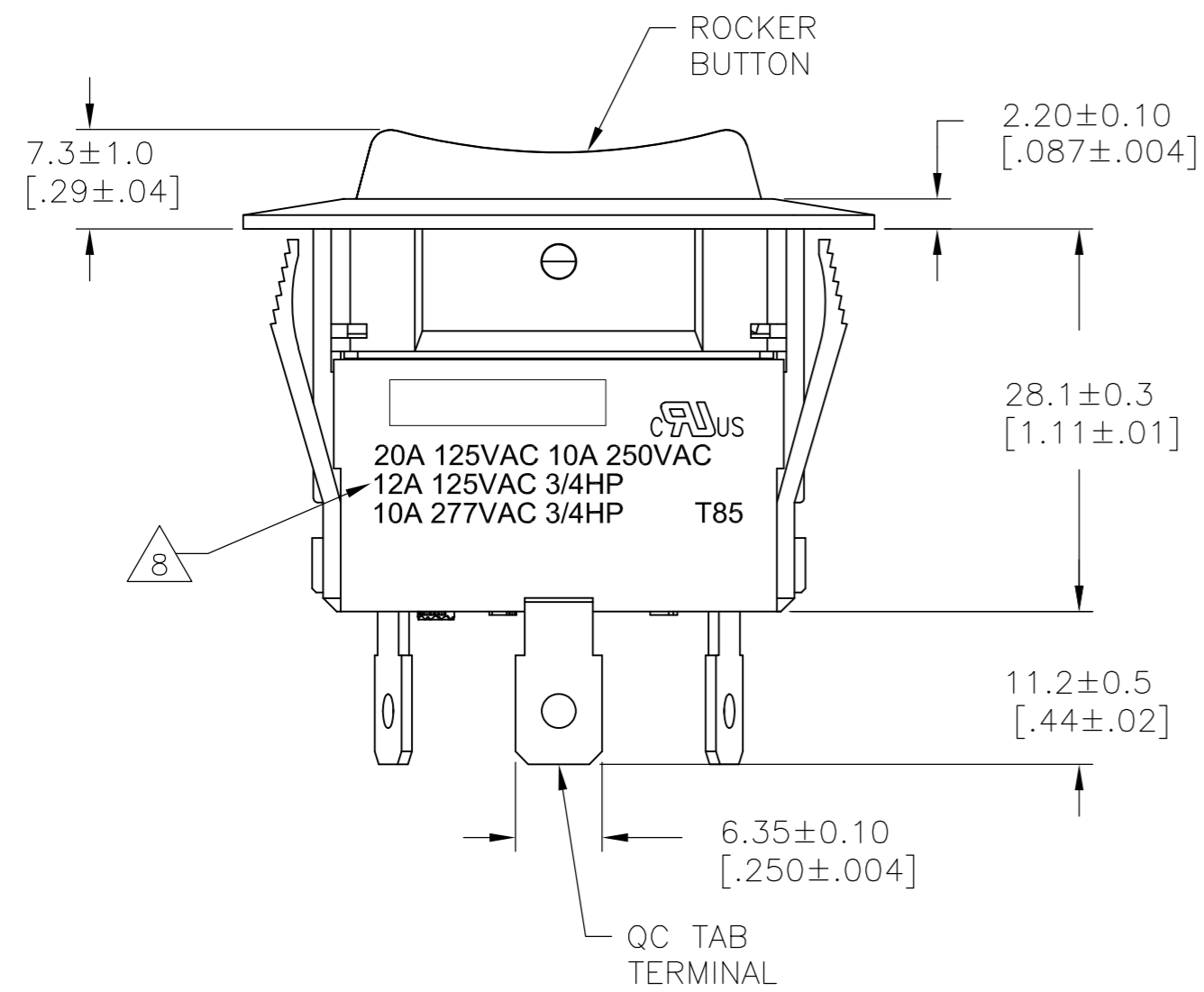
LOC		DIST		REVISIONS			
P	LTR	DESCRIPTION		DATE	DWN	APVD	
		C3		REVISED PER ECO-10-006305	25MAR10	HMR	NE



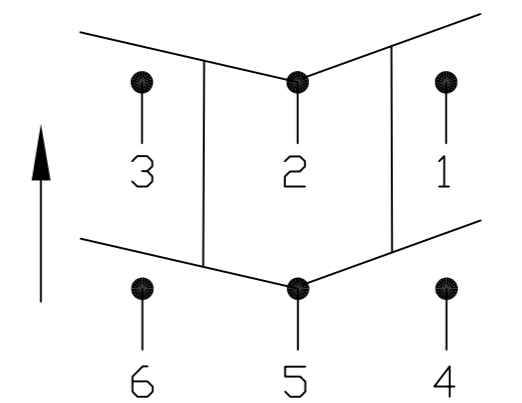
PANEL CUT OUT



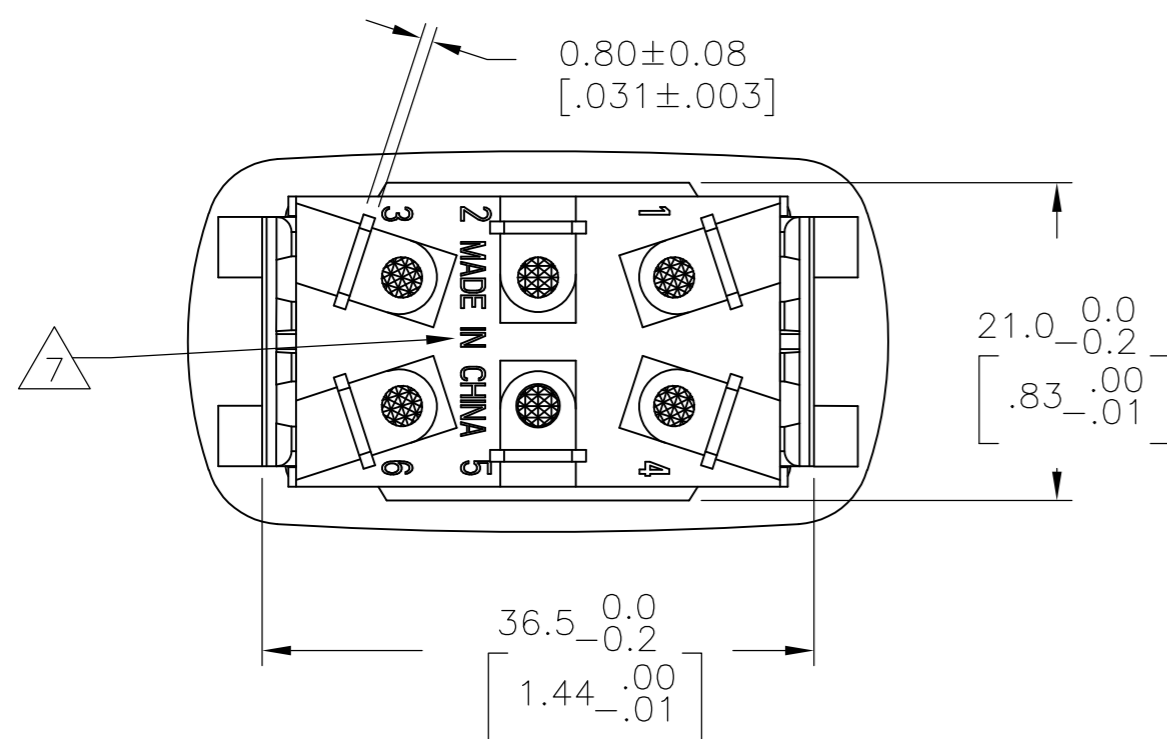
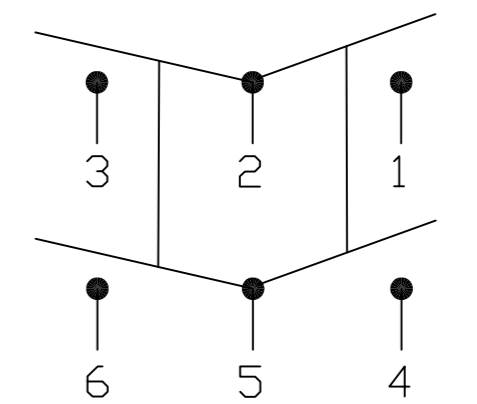
2.00-3.00 [.079-.118]	21.2+0.1 [.835+.004]	37.0+0.2 [1.457+.008]
1.25-2.00 [.049-.079]	21.2+0.1 [.835+.004]	36.8+0.2 [1.449+.008]
.075-1.25 [.030-.049]	21.2+0.1 [.835+.004]	36.6+0.2 [1.441+.008]
PANEL THICKNESS	Y	X



SWITCH FUNCTION D5
CIRCUIT DIAGRAM



SWITCH FUNCTION D4
CIRCUIT DIAGRAM

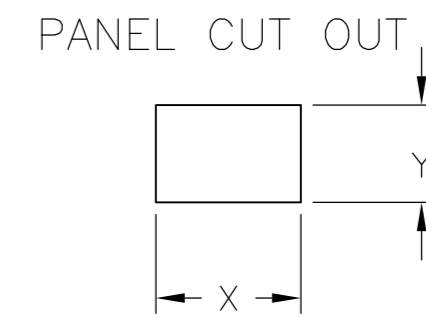
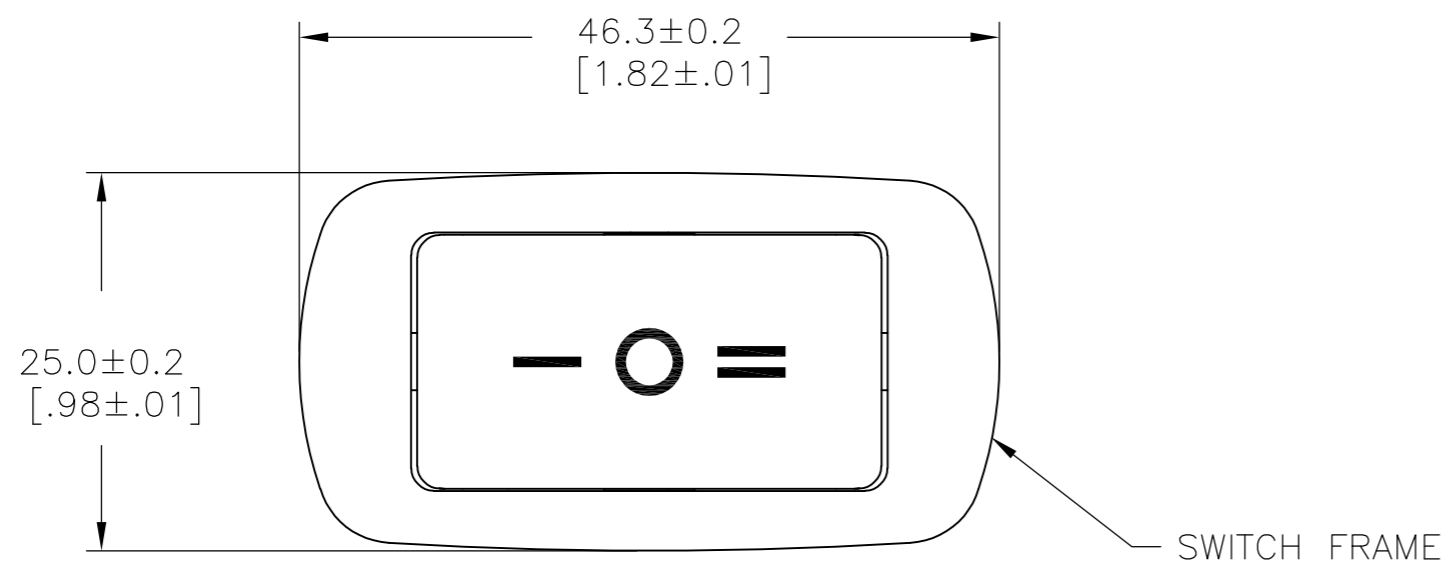


1571099-7
SHOWN

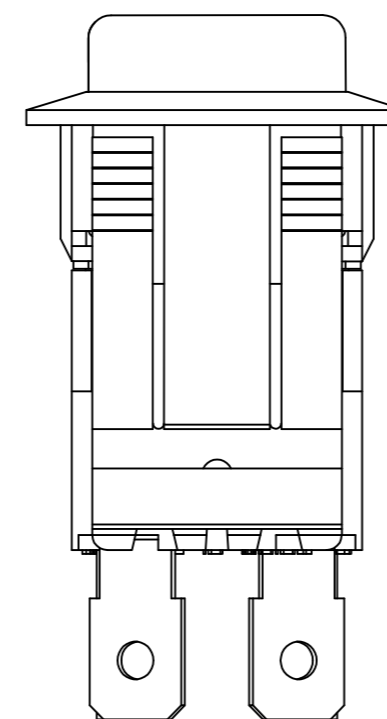
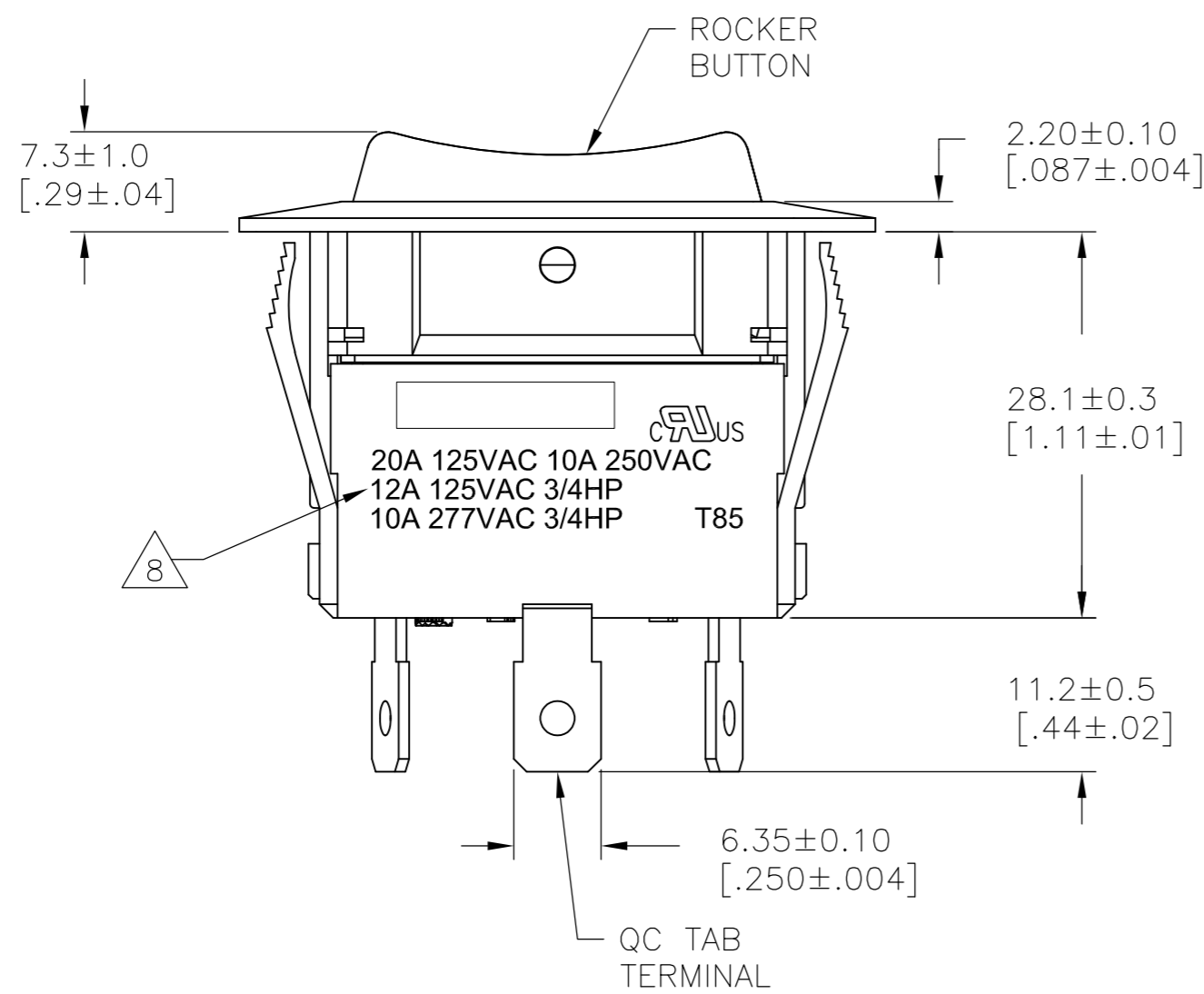
THIS DRAWING IS A CONTROLLED DOCUMENT.		DWN M.BINNER 25FEB2002	Tyco Electronics Corporation Harrisburg, PA 17105-3608	
DIMENSIONS: mm [INCHES]		CHK D.ROHDE 16NOV05	NAME POWER ROCKER SWITCH, 21.2mm X 36.6mm MIN PANEL CUT-OUT SIZE DOUBLE POLE, DOUBLE THROW, NON-ILLUMINATED	
TOLERANCES UNLESS OTHERWISE SPECIFIED: 0 PLC ± - 1 PLC ± - 2 PLC ± - 3 PLC ± - 4 PLC ± - ANGLES ± -		APVD D.ROHDE 16NOV05	DRAWING NO A2 00779 C=1571099	
MATERIAL 1		FINISH 2	RESTRICTED TO	SCALE 2:1 SHEET 1 of 4 REV C3
CUSTOMER DRAWING				

THIS DRAWING IS UNPUBLISHED. RELEASED FOR PUBLICATION
 © COPYRIGHT BY TYCO ELECTRONICS CORPORATION. ALL INTERNATIONAL RIGHTS RESERVED.

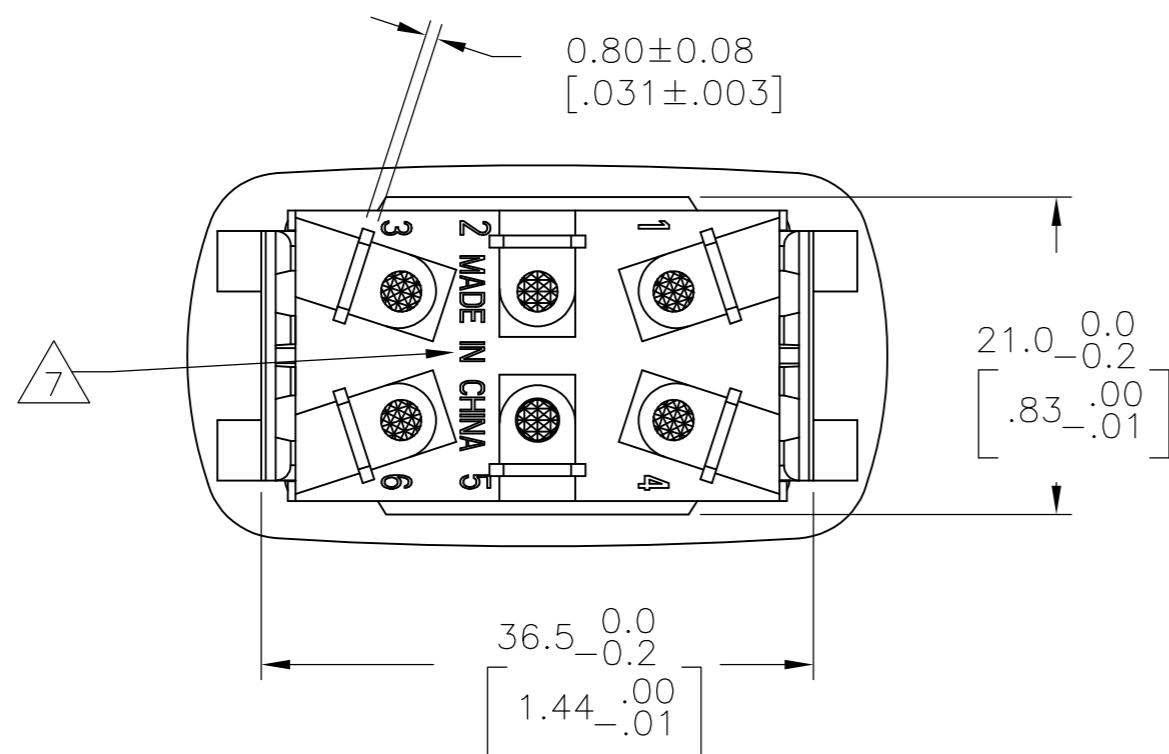
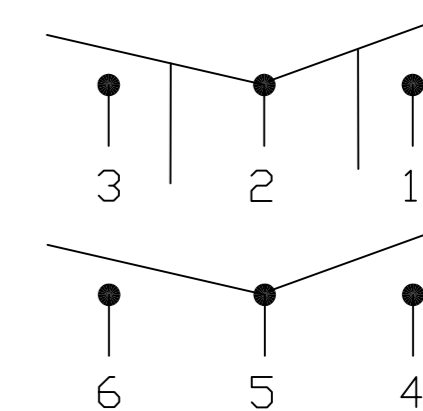
LOC	DIST	REVISIONS					
AD	00	P	LTR	DESCRIPTION	DATE	DWN	APVD
		-		SEE SHEET 1	-	-	-



2.00-3.00 [.079-.118]	21.2+0.1 [.835+.004]	37.0+0.2 [1.457+.008]
1.25-2.00 [.049-.079]	21.2+0.1 [.835+.004]	36.8+0.2 [1.449+.008]
.075-1.25 [.030-.049]	21.2+0.1 [.835+.004]	36.6+0.2 [1.441+.008]
PANEL THICKNESS	Y	X



SWITCH FUNCTION D3
 CIRCUIT DIAGRAM

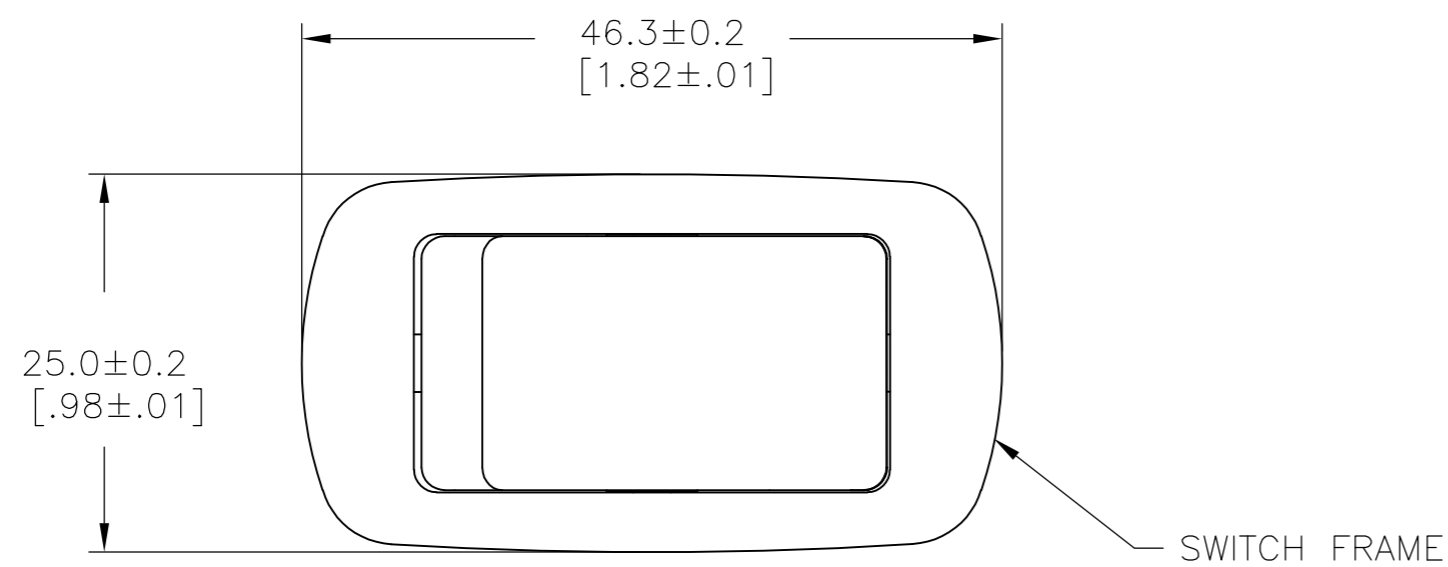


1571099-5
 SHOWN

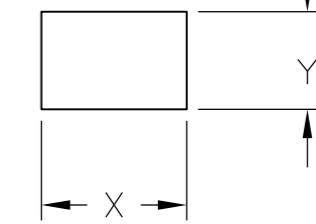
THIS DRAWING IS A CONTROLLED DOCUMENT.		DWN	25FEB2002	Tyco Electronics Corporation	
DIMENSIONS: mm [INCHES]		M.BINNER	16NOV05	Tyco Electronics Corporation Harrisburg, PA 17105-3608	
TOLERANCES UNLESS OTHERWISE SPECIFIED:		CHK	D.ROHDE	NAME	
0 PLC ± -	1 PLC ± -	APVD	D.ROHDE	POWER ROCKER SWITCH, 21.2mm X 36.6mm MIN	
2 PLC ± -	3 PLC ± -	PRODUCT SPEC	-	PANEL CUT-OUT SIZE	
4 PLC ± -	ANGLES ± -	APPLICATION SPEC	-	DOUBLE POLE, DOUBLE THROW, NON-ILLUMINATED	
MATERIAL	FINISH	WEIGHT	-	SIZE	CAGE CODE
1	2	CUSTOMER DRAWING	-	A2	00779
SCALE		SHEET		REV	
2:1		2 of 4		C3	

THIS DRAWING IS UNPUBLISHED. RELEASED FOR PUBLICATION
 © COPYRIGHT BY TYCO ELECTRONICS CORPORATION. ALL INTERNATIONAL RIGHTS RESERVED.

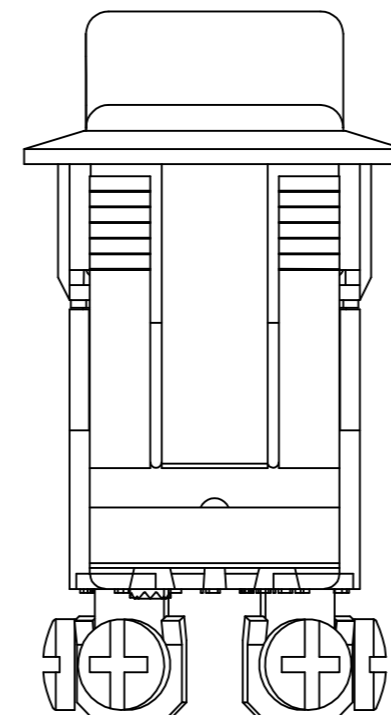
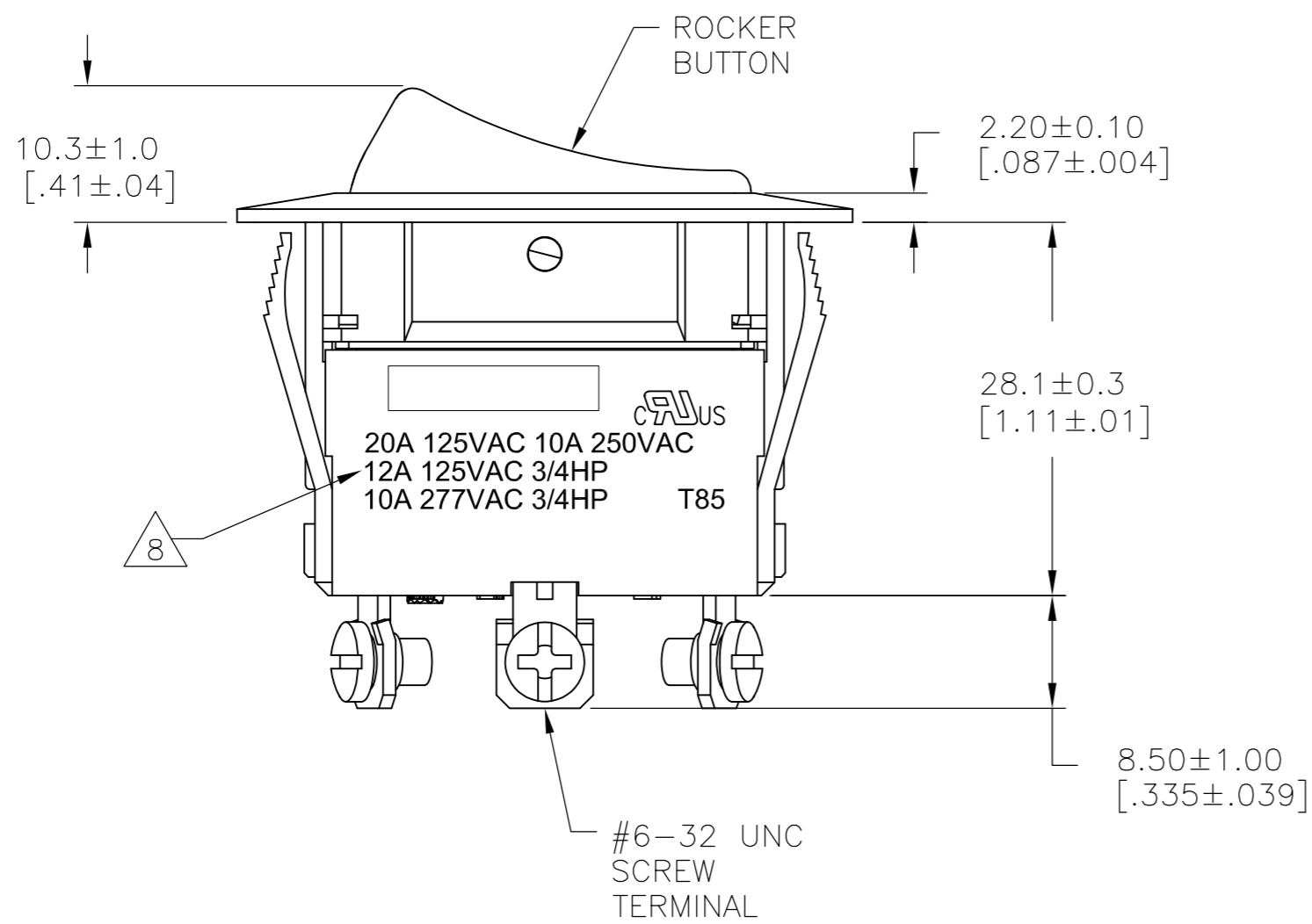
LOC	DIST	REVISIONS			
P	LTR	DESCRIPTION	DATE	DWN	APVD
AD	00	SEE SHEET 1	-	-	-



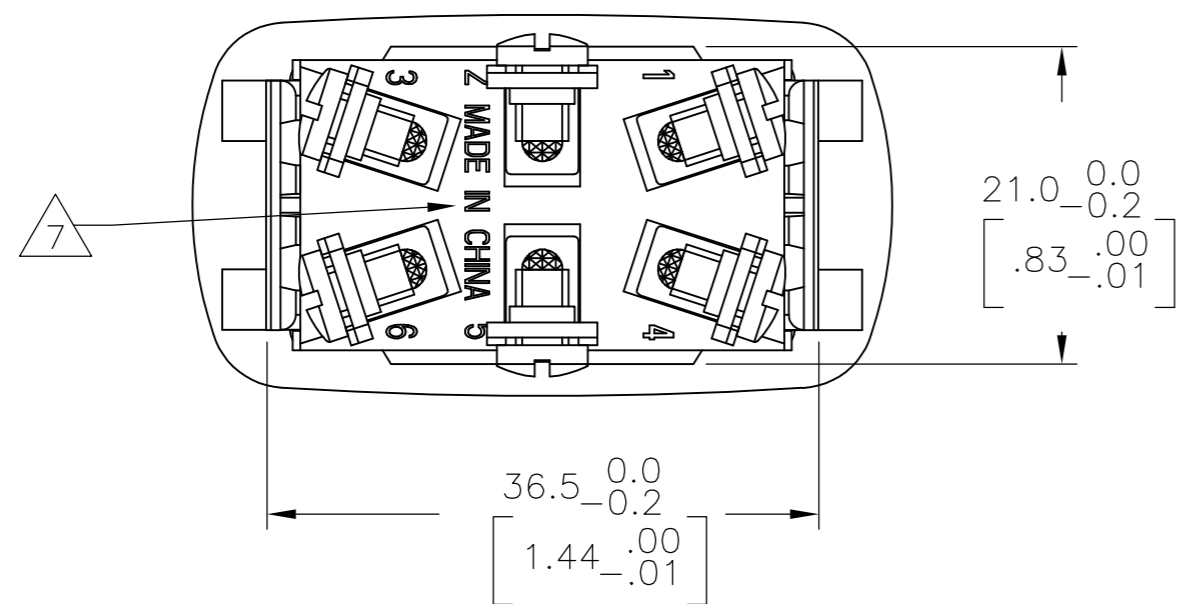
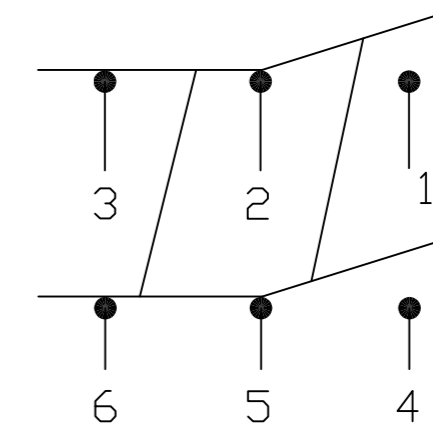
PANEL CUT OUT



2.00-3.00 [.079-.118]	21.2+0.1 [.835+.004]	37.0+0.2 [1.457+.008]
1.25-2.00 [.049-.079]	21.2+0.1 [.835+.004]	36.8+0.2 [1.449+.008]
.075-1.25 [.030-.049]	21.2+0.1 [.835+.004]	36.6+0.2 [1.441+.008]
PANEL THICKNESS	Y	X



SWITCH FUNCTION D1
 CIRCUIT DIAGRAM



1-1571099-0
 SHOWN

DIMENSIONS:		TOLERANCES UNLESS OTHERWISE SPECIFIED:		MATERIAL		FINISH	
mm	[INCHES]	0 PLC	± -	1	2	WEIGHT	SCALE
		1 PLC	± -				2:1
		2 PLC	± -				SHEET
		3 PLC	± -				3 OF 4
		4 PLC	± -				REV
		ANGLES	± -				C3
		FINISH					

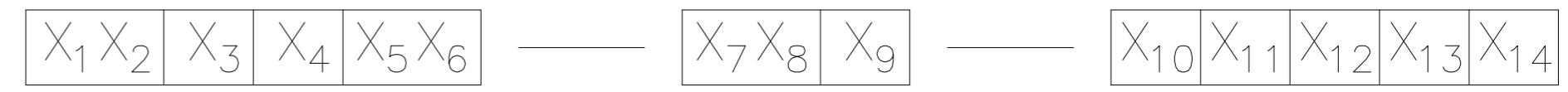
THIS DRAWING IS A CONTROLLED DOCUMENT.		DWN	25FEB2002	Tyco Electronics Corporation	
		CHK	16NOV05	Harrisburg, PA 17105-3608	
		APVD	16NOV05	NAME	
		PRODUCT SPEC		POWER ROCKER SWITCH, 21.2mm X 36.6mm MIN	
		APPLICATION SPEC		PANEL CUT-OUT SIZE	
				DOUBLE POLE, DOUBLE THROW, NON-ILLUMINATED	
		WEIGHT	-	SIZE	RESTRICTED TO
		CUSTOMER DRAWING		A2	
				CAGE CODE	
				00779	
				DRAWING NO	
				C=1571099	

THIS DRAWING IS UNPUBLISHED. RELEASED FOR PUBLICATION
 © COPYRIGHT BY TYCO ELECTRONICS CORPORATION. ALL INTERNATIONAL RIGHTS RESERVED.

LOC	DIST	REVISIONS			
P	LTR	DESCRIPTION	DATE	DWN	APVD
AD	00	SEE SHEET 1	-	-	-

- 1. **MATERIALS:**
 ROCKER BUTTON, FRAME & HOUSING: NYLON 66, UL 94 V-2.
 PLUNGER: PHENOLIC
 SEAL: SILICONE RUBBER
 SCREW TERMINAL, ACTIVE CONTACTOR, CONTACTOR SUPPORT: COPPER ALLOY PER ASTM B152
 QC & SOLDER TERMINAL: COPPER ALLOY PER ASTM B036
 SPRING: STEEL WIRE
 CONTACTS: SILVER-TIN OXIDE
- 2. **FINISH:**
 CONTACTOR SUPPORT, ACTIVE CONTACTOR: 1.01µm [.000040] MIN SILVER
 QC TERMINAL: 1.27µm [.000050] MIN NICKEL
 SOLDER TERMINAL: 1.27µm [.000050] MIN TIN
- 3. **ELECTRICAL SPECIFICATIONS:**
 CURRENT AND VOLTAGE: 6
 CONTACT RESISTANCE (INITIAL): <50mΩ
 DIELECTRIC STRENGTH (INITIAL): >1000 VAC, 1 MINUTE
 INSULATION RESISTANCE (INITIAL): >100MΩ MIN (500VDC BETWEEN OPEN CONTACTS)
 ELECTRICAL LIFE ENDURANCE: >6000 OPERATIONS, VOLTAGE DROP: <100mV
 TEMPERATURE RISE AT TERMINALS: <30°C, 6000 OPERATIONS
 (AMBIENT CONDITIONS: 25±2°C AND 65±5%R.H)
- 4. **MECHANICAL SPECIFICATIONS:**
 ACTUATING FORCE: 1100g MIN, 3000g MAX
 OPERATING LIFE ENDURANCE: >100,000 OPERATIONS
 TERMINAL RETENTION FORCE: >9kg- SOLDER LUG
 >9kg- QC TAB
 >6.8kg- #6-32 SCREW
- 5. **ENVIRONMENTAL SPECIFICATIONS:**
 AMBIENT TEMPERATURE: -20°C TO +85°C
 DEGREE OF PROTECTION: IP 66
- 6. 20A 125VAC, 10A 250VAC/12A 125VAC, 3/4HP/ 10A 277VAC, 3/4HP
- 7. COUNTRY OF ORIGIN AND TERMINAL IDENTIFICATION NUMBERS MOLDED APPROXIMATELY AS SHOWN ON THE SWITCH HOUSING.
- 8. ELECTRICAL RATINGS, APPROVED AGENCY LOGOS AND THE TYCO ELECTRONICS LOGO INK MARKED APPROXIMATELY AS SHOWN ON THE SWITCH HOUSING.
- 9. COMPONENT RECOGNIZED TO US & CANADIAN STANDARDS, UL FILE NO. E46765.
- 10. ROHS 2002/95/EC COMPLIANT

LEGACY PART NUMBER



- SWITCH TYPE: X1 X2 = PR - POWER ROCKER
- PANEL CUT OUT SIZE: X3 = C - 21.2x36.6 MIN [.835x1.441]
- NUMBER OF POLES: X4 = D - DOUBLE
- SWITCH FUNCTION: X5 X6 =
 - D1-ON-NONE-ON, WITH OPAQUE, SINGLE-COLOR ROCKER BUTTON.
 - D3-ON-OFF-ON, WITH OPAQUE, SINGLE-COLOR ROCKER BUTTON.
 - D4-ON-OFF-(ON), WITH OPAQUE, SINGLE-COLOR ROCKER BUTTON.
 - D5-(ON)-OFF-(ON), WITH OPAQUE, SINGLE-COLOR ROCKER BUTTON.
- CURRENT RATING: X7 X8 = 20 - 6
- TERMINAL TYPE: X9 = F - QC TAB
L - SOLDER LUG
S - #6-32 UNC SCREW
- FRAME COLOR: X10 = B - BLACK
W - WHITE
- ROCKER COLOR: X11 = B - BLACK
G - GREEN
R - RED
W - WHITE
Y - YELLOW
- SECONDARY ROCKER COLOR: X12 = Ø - NOT APPLICABLE
- LEGEND TEXT PATTERN: X13 =
 - Ø
 - D E F G
 - = I || - O = I O ||
- LEGEND TEXT COLOR: X14 = Ø - NOT APPLICABLE
G - GREEN
R - RED
B - BLACK
W - WHITE

SHEET REF	ALCOSWITCH PART NUMBER	TYCO PART NUMBER
1	PRCDD5-20F-BB000	1-1571099-3
3	PRCDD1-20S-BB0EW	1-1571099-2
3	PRCDD1-20S-BB0DW	1-1571099-1
3	PRCDD1-20S-BB000	1-1571099-0
1	PRCDD4-20F-BB0GW	1571099-9
1	PRCDD4-20F-BB0FW	1571099-8
1	PRCDD4-20F-BB000	1571099-7
2	PRCDD3-20F-BB0GW	1571099-6
2	PRCDD3-20F-BB0FW	1571099-5
2	PRCDD3-20F-BB000	1571099-4
2	PRCDD1-20F-BB0EW	1571099-3
2	PRCDD1-20F-BB0DW	1571099-2
2	PRCDD1-20F-BB000	1571099-1

THIS DRAWING IS A CONTROLLED DOCUMENT.		DWN M.BINNER 25FEB2002	Tyco Electronics Corporation Harrisburg, PA 17105-3608	
DIMENSIONS: mm [INCHES]		CHK D.ROHDE 16NOV05	NAME D.ROHDE	
TOLERANCES UNLESS OTHERWISE SPECIFIED:		APVD D.ROHDE 16NOV05	PRODUCT SPEC	
0 PLC ± -		APPLICATION SPEC		
1 PLC ± -		WEIGHT		
2 PLC ± -		SCALE 2:1		
3 PLC ± -		SHEET 4 OF 4		
4 PLC ± -		REV C3		
ANGLES ± -		CUSTOMER DRAWING		
FINISH		SIZE CAGE CODE DRAWING NO RESTRICTED TO		
1		A2 00779 C=1571099		

Компания «Life Electronics» занимается поставками электронных компонентов импортного и отечественного производства от производителей и со складов крупных дистрибьюторов Европы, Америки и Азии.

С конца 2013 года компания активно расширяет линейку поставок компонентов по направлению коаксиальный кабель, кварцевые генераторы и конденсаторы (керамические, пленочные, электролитические), за счёт заключения дистрибьюторских договоров

Мы предлагаем:

- Конкурентоспособные цены и скидки постоянным клиентам.
- Специальные условия для постоянных клиентов.
- Подбор аналогов.
- Поставку компонентов в любых объемах, удовлетворяющих вашим потребностям.
- Приемлемые сроки поставки, возможна ускоренная поставка.
- Доставку товара в любую точку России и стран СНГ.
- Комплексную поставку.
- Работу по проектам и поставку образцов.
- Формирование склада под заказчика.
- Сертификаты соответствия на поставляемую продукцию (по желанию клиента).
- Тестирование поставляемой продукции.
- Поставку компонентов, требующих военную и космическую приемку.
- Входной контроль качества.
- Наличие сертификата ISO.

В составе нашей компании организован Конструкторский отдел, призванный помогать разработчикам, и инженерам.

Конструкторский отдел помогает осуществить:

- Регистрацию проекта у производителя компонентов.
- Техническую поддержку проекта.
- Защиту от снятия компонента с производства.
- Оценку стоимости проекта по компонентам.
- Изготовление тестовой платы монтаж и пусконаладочные работы.



Тел: +7 (812) 336 43 04 (многоканальный)

Email: org@lifeelectronics.ru