

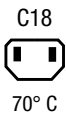
IEC Appliance Inlet C14 or C18 with Filter, ECO design, Front- or Rear Side Mounting

Standard- or Medical-Filter

new

Screw-on mounting  
PCB snap-in versionSnap-in mounting  
Quick connect terminals 6.3 x 0.8 mm  
Protection class IIScrew-on mounting  
with wires (stranded)

70° C



70° C

**Description**

- Panel Mount:
  - Screw-on version from front or rear side, snap-in version from front side, PCB Version from rear side
- 2 Functions:
  - Appliance Inlet protection class I or II, Line filter in standard and medical version
- Solder, quick connect or wire (stranded)
- PCB Mounting
- Earth Terminal

**Approvals**

- VDE Certificate Number: 40016382
- UL File Number: E72928
- CCC File Number: 2010010204438235

**Characteristics**

- Compact high performance filter
- Optimal shielding due to completely closed filter case, unpotted
- Designed for standard and medical applications
- Suitable for assembly in metal plated plastic housings
- Qualified for use in equipment according IEC/EN 60950

**Other versions on request**

- Snap-in for panel thickness >2mm to 3mm
- flexible wire with various lengths
- Class X1- and Y1-capacitors for enhanced withstand voltage
- Medical version M80
- Variant with notch for V-Lock mating Cordsets

**References**

Alternative: Standard version

**Weblinks**

[pdf-datasheet](#), [html-datasheet](#), [General Product Information](#), [Approvals](#), [RoHS](#), [CHINA-RoHS](#), [Mating Connectors](#), [e-Shop](#), [SCHURTER-Stock-Check](#), [Distributor-Stock-Check](#), [CAD-Drawings](#), [Accessories](#), [Wire Harness](#), [Detailed request for product](#)

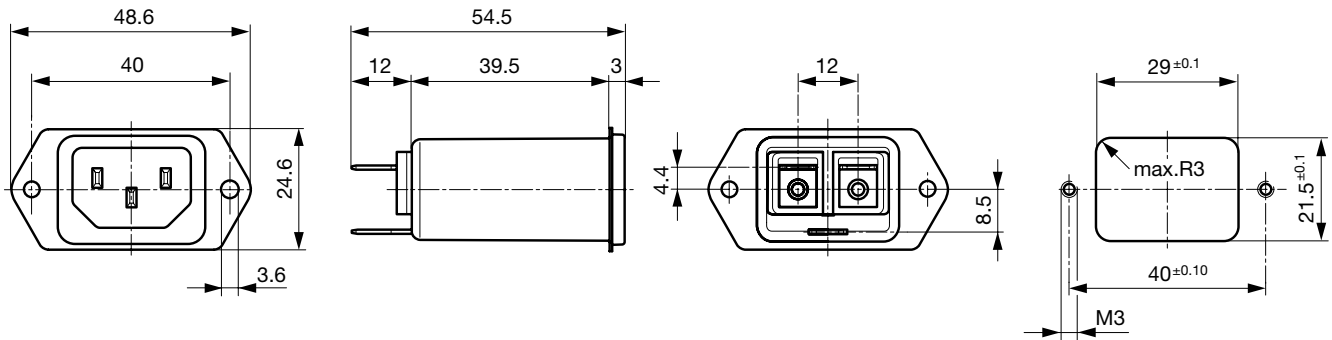
Newly available variants corresponding to V-Lock mating cordset. The connector is equipped with a notch intended for use with the latching cordset. The cord latching system prevents against accidental removal of the cordset.

**Technical Data**

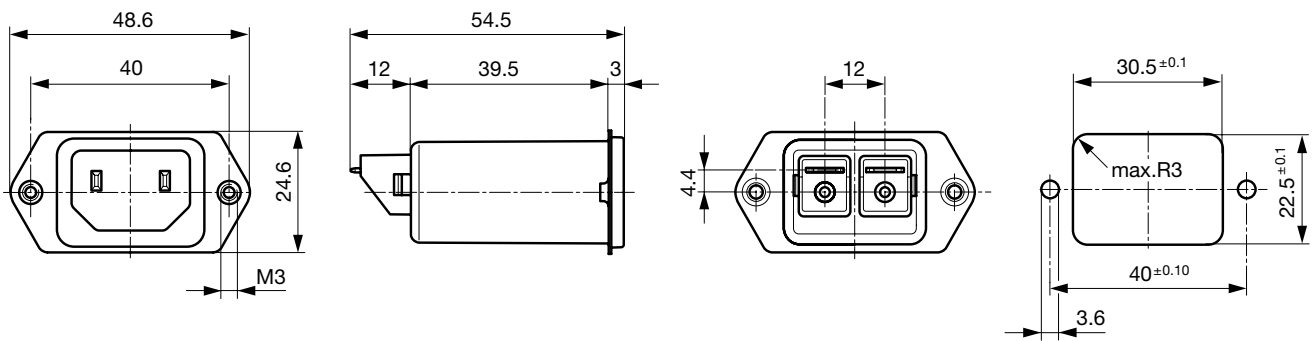
Ratings IEC	1 - 10A @ Ta 40 °C / 250VAC; 50Hz	Appliance-Inlet/-Outlet	C14 / C18 acc. to IEC 60320, UL 498, CSA C22.2 no. 42 (for cold conditions) pin-temperature 70 °C, 10A, Protection Class I or II
Ratings UL/CSA	1 - 15A @ Ta 40 °C / 250VAC; 60Hz	Line Filter	Standard and Medical Version, IEC 60939, IEC 60601-1, UL 1283, UL 544, CSA C22.2 no. 8 <a href="#">Technical Details</a>
Leakage Current	standard < 0.5mA (250V / 60Hz) medical < 5 µA (250 V / 60 Hz)	MTBF	> 3'000'000h acc. to MIL-HB-217 F
Dielectric Strength	> 1.7kVDC between L-N > 2.7kVDC between L/N-PE Test voltage (2 sec)		
Allowable Operation Temp.	-25 °C to 85 °C		
Climatic Category	25/085/21 acc. to IEC 60068-1		
Degree of Protection	from front side IP 40 acc. to IEC 60529		
Protection Class	Suitable for appliances with protection class I or II acc. to IEC 61140		
Terminal	Quick connect terminals 6.3 x 0.8 mm Solder terminals Flexible wire AWG18 (15A AWG16), 150 mm		
Panel Thickness s	Screw: max 8 mm Mounting screw torque max 0.5Nm Snap-in: 0.8mm to 2 mm (all steps with one variant)		
Material: Housing	Themoplast / steel tin-plated, black / metallic, UL 94V-0		

### Dimensions

54.5 mm  
 Front or rear side mounting for screws with nuts or blind rivets (panel cutout for frontside mounting)

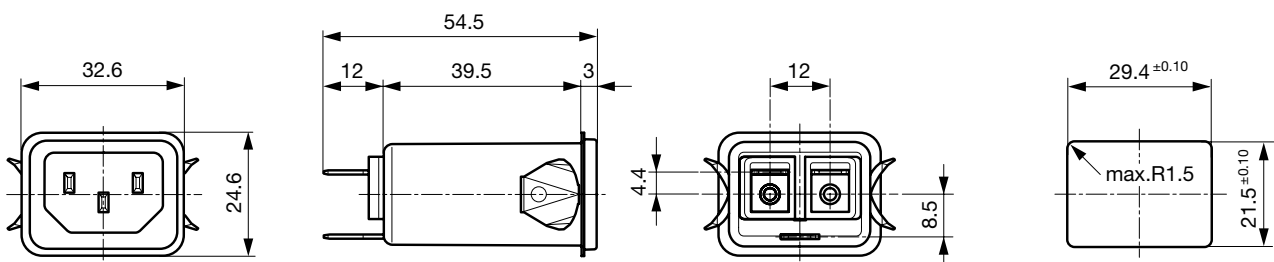


Rear side mounting with pre-formed, threaded holes for M3 screws (panel cutout for rear side mounting)



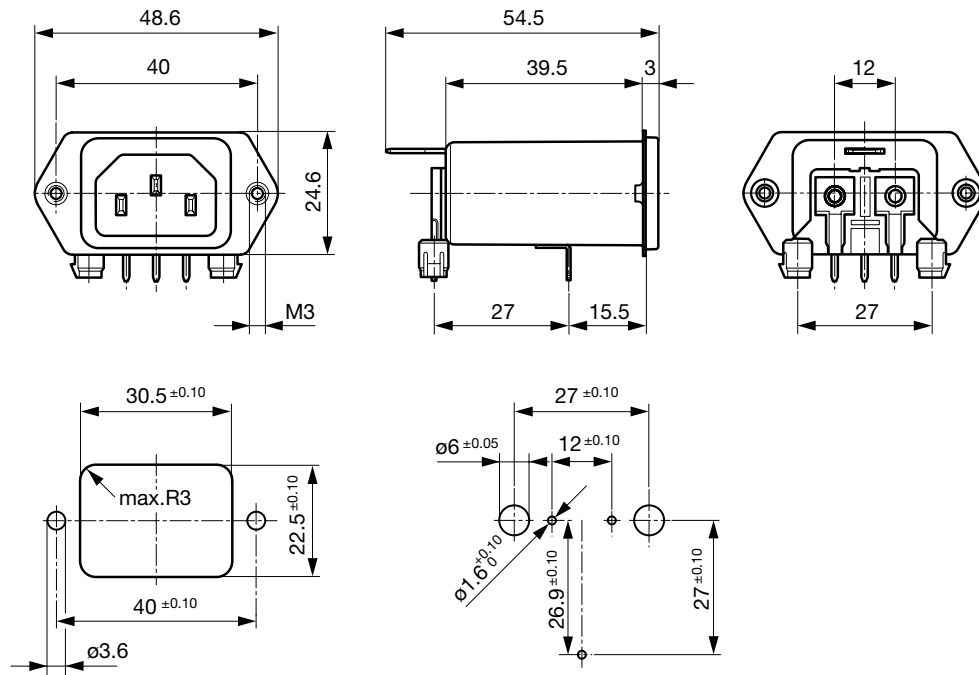
Dimensions for class II version also apply to class I

Snap-in mounting from front side

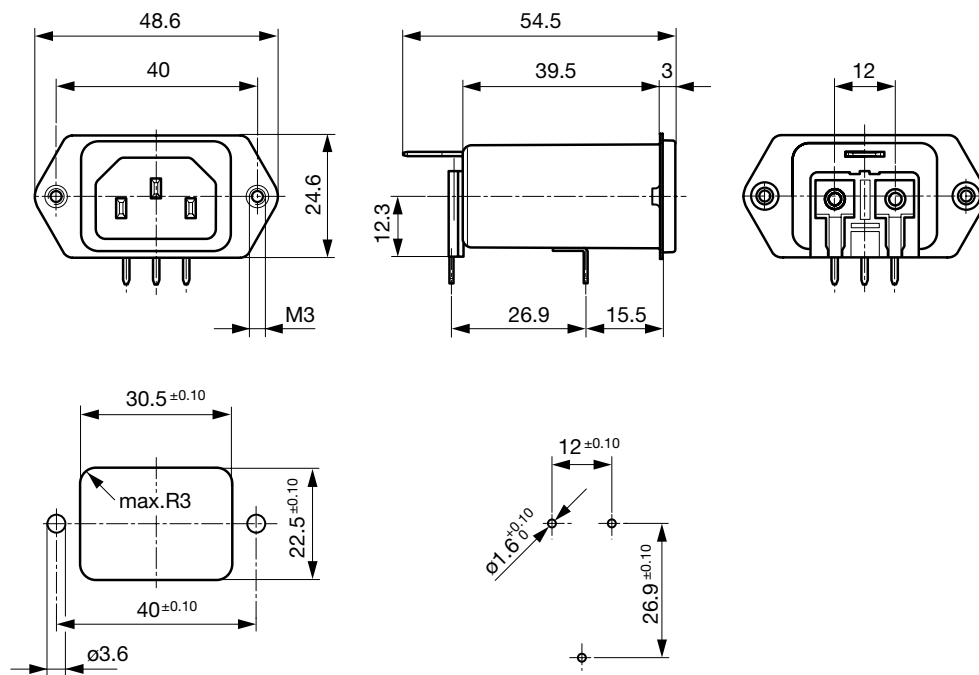


Dimensions for class I version also apply class II

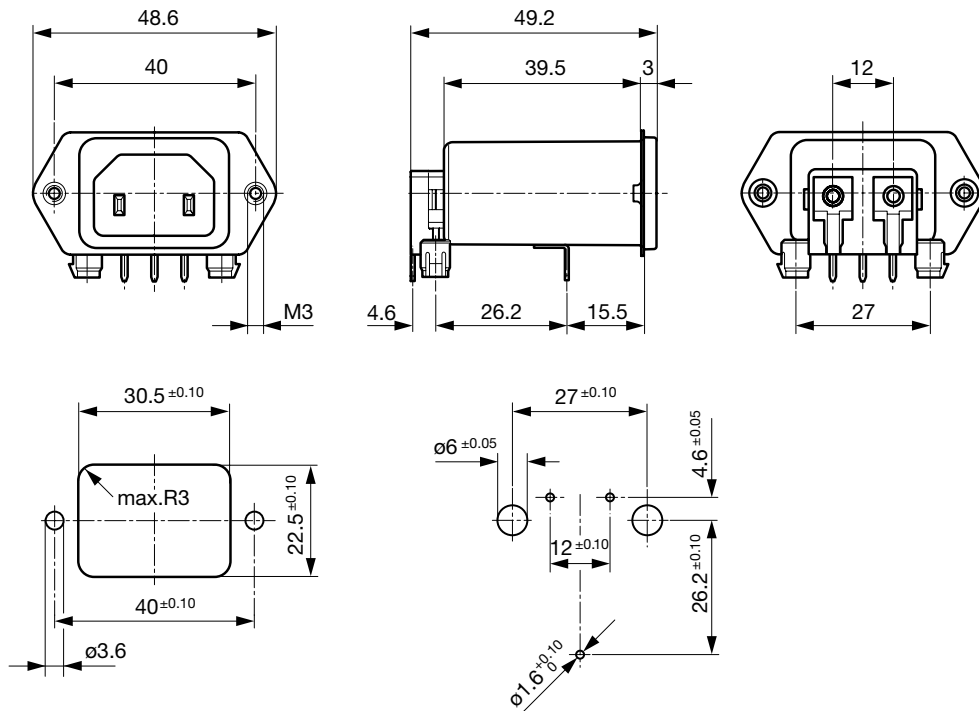
PCB snap-in rear side mounting, protection class I



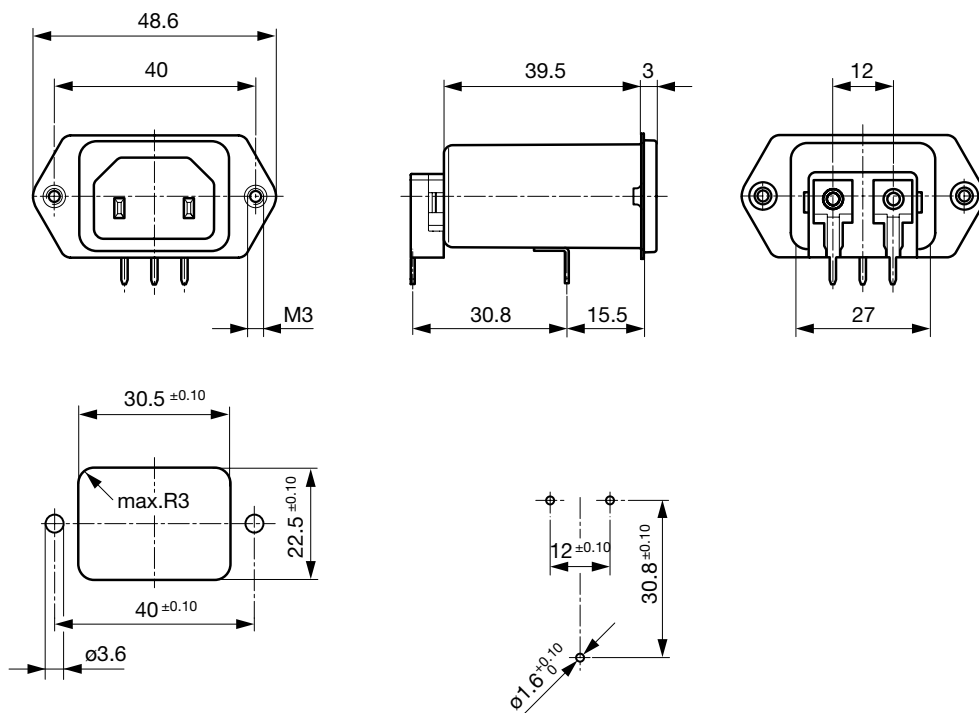
PCB rear side mounting, protection class I



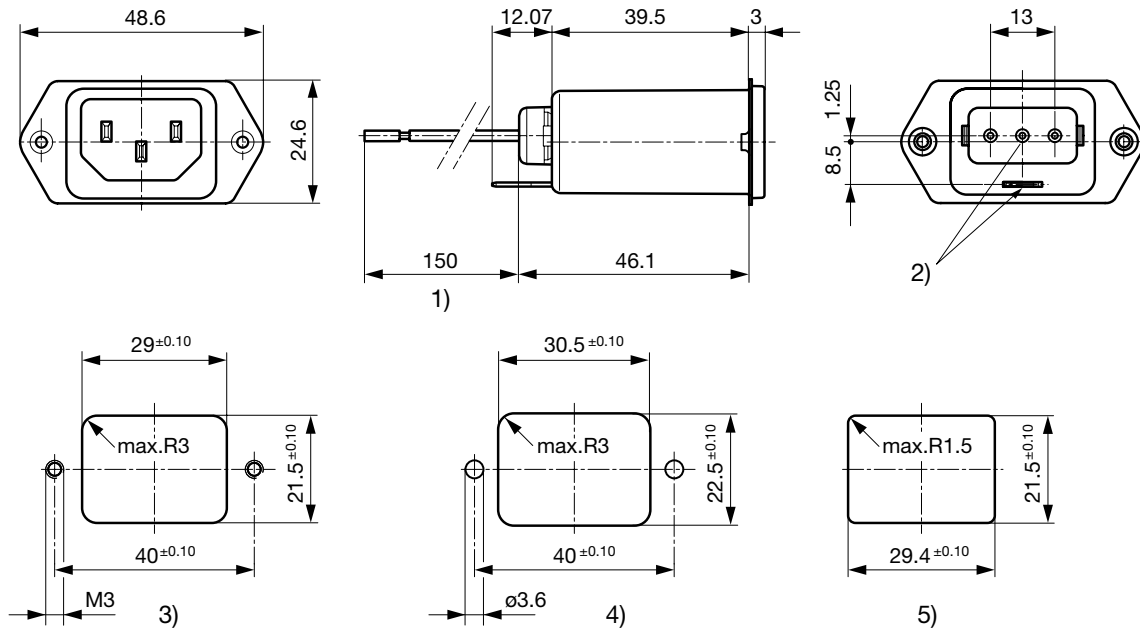
PCB snap-in rear side mounting, protection class II



PCB rear side mounting, protection class II



Screw and snap-in mounting with flexible wire



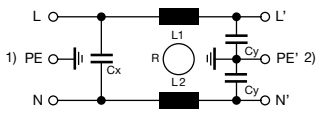
- 1) Flexible wire, standard length 150 mm or special length on request
- 2) Nonexistent for protection class II
- 3) Panel cut-out screw-on version, back-side mounting
- 4) Panel cut-out screw-on version, front- or back-side mounting
- 5) Panel cut-out snap-in version, front-side mounting

### Technical Data of Filter-Components

Rated Current [A]	Filter-Type	Inductances L [mH]	Capacitance CX [nF]	Capacitance CY [nF]	R [MΩ]
1	Standard Version	2 x 12	100	2.2	-
2	Standard Version	2 x 5.2	100	2.2	-
4	Standard Version	2 x 2	100	2.2	-
6	Standard Version	2 x 0.8	100	2.2	-
10	Standard Version	2 x 0.4	100	2.2	-
15	Standard Version	2 x 0.1	100	2.2	-
1	Medical Version (M5)	2 x 12	100	-	1
2	Medical Version (M5)	2 x 5.2	100	-	1
4	Medical Version (M5)	2 x 2	100	-	1
6	Medical Version (M5)	2 x 0.8	100	-	1
10	Medical Version (M5)	2 x 0.4	100	-	1
15	Medical Version (M5)	2 x 0.1	100	-	1
1	Bleed Resistor Version	2 x 12	100	2.2	1
2	Bleed Resistor Version	2 x 5.2	100	2.2	1
4	Bleed Resistor Version	2 x 2	100	2.2	1
6	Bleed Resistor Version	2 x 0.8	100	2.2	1
10	Bleed Resistor Version	2 x 0.4	100	2.2	1
15	Bleed Resistor Version	2 x 0.1	100	2.2	1

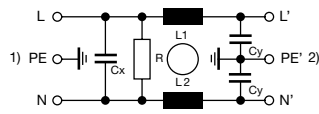
## Diagrams

Standard version



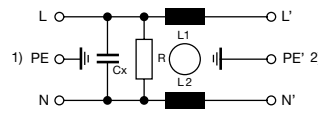
1) Line  
2) Load

Bleed resistor version



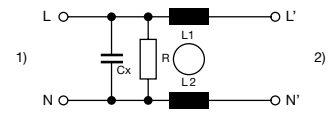
1) Line  
2) Load

Medical version M5



1) Line  
2) Load

Medical version M5, prot. class II



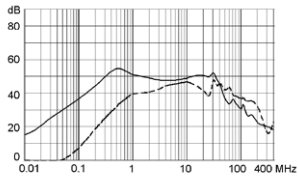
1) Line  
2) Load

## Attenuation Loss

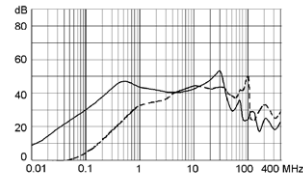
--- differential mode    \_\_\_\_ common mode

Standard version

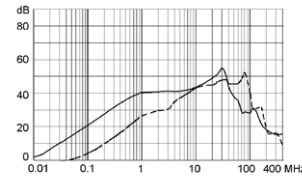
1 A



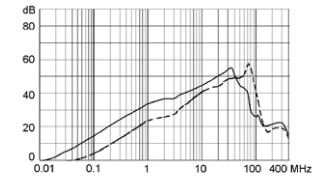
2 A



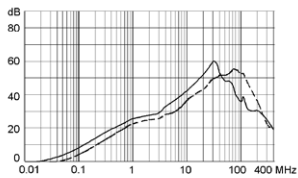
4 A



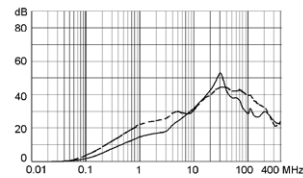
6 A



10 A

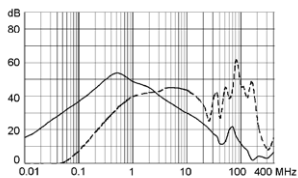


15 A

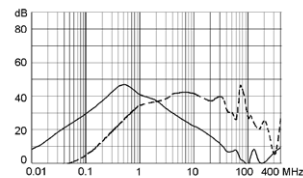


Medical version (M5)

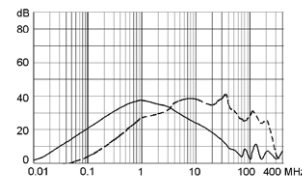
1 A



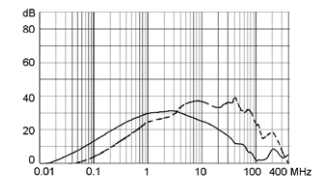
2 A



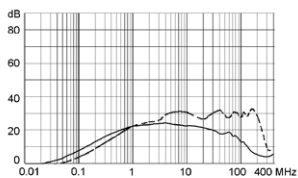
4 A



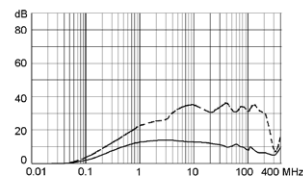
6 A



10 A



15 A



## Variants

Rated Current [A]	Filter-Type	Mounting	Mounting side	Terminal	Protection Class	Order Number
1	Standard Version	Screw/PCB snap-in	Rear-Side	PCB pin and earth pin 6.3 x 0.8	I	5120.5070.0
2	Standard Version	Screw/PCB snap-in	Rear-Side	PCB pin and earth pin 6.3 x 0.8	I	5120.5071.0
4	Standard Version	Screw/PCB snap-in	Rear-Side	PCB pin and earth pin 6.3 x 0.8	I	5120.5073.0
6	Standard Version	Screw/PCB snap-in	Rear-Side	PCB pin and earth pin 6.3 x 0.8	I	5120.5074.0
10	Standard Version	Screw/PCB snap-in	Rear-Side	PCB pin and earth pin 6.3 x 0.8	I	5120.5076.0
15	Standard Version	Screw/PCB snap-in	Rear-Side	PCB pin and earth pin 6.3 x 0.8	I	5120.5077.0
1	Standard Version	Screw/PCB	Rear-Side	PCB pin and earth pin 6.3 x 0.8	I	5120.4070.0
2	Standard Version	Screw/PCB	Rear-Side	PCB pin and earth pin 6.3 x 0.8	I	5120.4071.0
4	Standard Version	Screw/PCB	Rear-Side	PCB pin and earth pin 6.3 x 0.8	I	5120.4073.0
6	Standard Version	Screw/PCB	Rear-Side	PCB pin and earth pin 6.3 x 0.8	I	5120.4074.0
10	Standard Version	Screw/PCB	Rear-Side	PCB pin and earth pin 6.3 x 0.8	I	5120.4076.0
15	Standard Version	Screw/PCB	Rear-Side	PCB pin and earth pin 6.3 x 0.8	I	5120.4077.0
1	Standard Version	Screw-on/Rivet	Front-/Rear-Side	Quick connect terminals 6.3 x 0.8 mm	I	5120.0000.0
1	Standard Version	Screw-on/Rivet	Front-/Rear-Side	Solder terminals	I	5120.0010.0
2	Standard Version	Screw-on/Rivet	Front-/Rear-Side	Quick connect terminals 6.3 x 0.8 mm	I	5120.0001.0
4	Standard Version	Screw-on/Rivet	Front-/Rear-Side	Quick connect terminals 6.3 x 0.8 mm	I	5120.0003.0
6	Standard Version	Screw-on/Rivet	Front-/Rear-Side	Quick connect terminals 6.3 x 0.8 mm	I	5120.0004.0
10	Standard Version	Screw-on/Rivet	Front-/Rear-Side	Quick connect terminals 6.3 x 0.8 mm	I	5120.0006.0
15	Standard Version	Screw-on/Rivet	Front-/Rear-Side	Quick connect terminals 6.3 x 0.8 mm	I	5120.0007.0
15	Standard Version	Screw-on/Rivet	Front-/Rear-Side	Flexible wire AWG16, Ground: solder	I	5120.0057.0
1	Standard Version	Screw	Rear-Side	Quick connect terminals 6.3 x 0.8 mm	I	5120.1000.0
2	Standard Version	Screw	Rear-Side	Quick connect terminals 6.3 x 0.8 mm	I	5120.1001.0
4	Standard Version	Screw	Rear-Side	Quick connect terminals 6.3 x 0.8 mm	I	5120.1003.0
6	Standard Version	Screw	Rear-Side	Quick connect terminals 6.3 x 0.8 mm	I	5120.1004.0
10	Standard Version	Screw	Rear-Side	Quick connect terminals 6.3 x 0.8 mm	I	5120.1006.0
10	Standard Version	Screw	Rear-Side	Quick connect terminals 6.3 x 0.8 mm	I	5120.1006.0.21
10	Standard Version	Screw	Rear-Side	Flexible wire and Earth pin 6.3 x 0.8	I	5120.1046.0
15	Standard Version	Screw	Rear-Side	Quick connect terminals 6.3 x 0.8 mm	I	5120.1007.0
6	Standard Version	Snap-in 2 - 3 mm	Front-Side	Flexible wire AWG18	I	5120.3034.0
1	Standard Version	Snap-in	Front-Side	Quick connect terminals 6.3 x 0.8 mm	I	5120.2000.0
2	Standard Version	Snap-in	Front-Side	Quick connect terminals 6.3 x 0.8 mm	I	5120.2001.0
4	Standard Version	Snap-in	Front-Side	Quick connect terminals 6.3 x 0.8 mm	I	5120.2003.0
6	Standard Version	Snap-in	Front-Side	Quick connect terminals 6.3 x 0.8 mm	I	5120.2004.0
10	Standard Version	Snap-in	Front-Side	Quick connect terminals 6.3 x 0.8 mm	I	5120.2006.0
10	Standard Version	Snap-in	Front-Side	Flexible wire and Earth pin 6.3 x 0.8	I	5120.2046.0
15	Standard Version	Snap-in	Front-Side	Quick connect terminals 6.3 x 0.8 mm	I	5120.2007.0
4	Medical Version (M5)	Screw/PCB snap-in	Rear-Side	PCB pin and earth pin 6.3 x 0.8	I	5120.5373.0
6	Medical Version (M5)	Screw/PCB snap-in	Rear-Side	PCB pin and earth pin 6.3 x 0.8	I	5120.5374.0
4	Medical Version (M5)	Screw/PCB	Rear-Side	PCB pin and earth pin 6.3 x 0.8	I	5120.4373.0
6	Medical Version (M5)	Screw/PCB	Rear-Side	PCB pin and earth pin 6.3 x 0.8	I	5120.4374.0
1	Medical Version (M5)	Screw-on/Rivet	Front-/Rear-Side	Quick connect terminals 6.3 x 0.8 mm	I	5120.0300.0
2	Medical Version (M5)	Screw-on/Rivet	Front-/Rear-Side	Quick connect terminals 6.3 x 0.8 mm	I	5120.0301.0
4	Medical Version (M5)	Screw-on/Rivet	Front-/Rear-Side	Quick connect terminals 6.3 x 0.8 mm	I	5120.0303.0
4	Medical Version (M5)	Screw-on/Rivet	Front-/Rear-Side	Flexible wire and Earth pin 6.3 x 0.8	I	5120.0343.0
6	Medical Version (M5)	Screw-on/Rivet	Front-/Rear-Side	Quick connect terminals 6.3 x 0.8 mm	I	5120.0304.0
10	Medical Version (M5)	Screw-on/Rivet	Front-/Rear-Side	Quick connect terminals 6.3 x 0.8 mm	I	5120.0306.0
15	Medical Version (M5)	Screw-on/Rivet	Front-/Rear-Side	Quick connect terminals 6.3 x 0.8 mm	I	5120.0307.0
1	Medical Version (M5)	Screw	Rear-Side	Quick connect terminals 6.3 x 0.8 mm	I	5120.1300.0
2	Medical Version (M5)	Screw	Rear-Side	Quick connect terminals 6.3 x 0.8 mm	I	5120.1301.0
4	Medical Version (M5)	Screw	Rear-Side	Quick connect terminals 6.3 x 0.8 mm	I	5120.1303.0
6	Medical Version (M5)	Screw	Rear-Side	Quick connect terminals 6.3 x 0.8 mm	I	5120.1304.0
10	Medical Version (M5)	Screw	Rear-Side	Quick connect terminals 6.3 x 0.8 mm	I	5120.1306.0
10	Medical Version (M5)	Screw	Rear-Side	Quick connect terminals 6.3 x 0.8 mm	I	5120.1306.0.21
10	Medical Version (M5)	Screw	Rear-Side	Flexible wire and Earth pin 6.3 x 0.8	I	5120.1346.0

Rated Current [A]	Filter-Type	Mounting	Mounting side	Terminal	Protection Class	Order Number
15	Medical Version (M5)	Screw	Rear-Side	Quick connect terminals 6.3 x 0.8 mm	I	5120.1307.0
1	Medical Version (M5)	Snap-in	Front-Side	Quick connect terminals 6.3 x 0.8 mm	I	5120.2300.0
2	Medical Version (M5)	Snap-in	Front-Side	Quick connect terminals 6.3 x 0.8 mm	I	5120.2301.0
4	Medical Version (M5)	Snap-in	Front-Side	Quick connect terminals 6.3 x 0.8 mm	I	5120.2303.0
6	Medical Version (M5)	Snap-in	Front-Side	Quick connect terminals 6.3 x 0.8 mm	I	5120.2304.0
10	Medical Version (M5)	Snap-in	Front-Side	Quick connect terminals 6.3 x 0.8 mm	I	5120.2306.0
15	Medical Version (M5)	Snap-in	Front-Side	Quick connect terminals 6.3 x 0.8 mm	I	5120.2307.0
4	Medical Version (M5)	Screw/PCB snap-in	Rear-Side	PCB pin and earth pin 6.3 x 0.8	II	5120.5373.1
6	Medical Version (M5)	Screw/PCB snap-in	Rear-Side	PCB pin and earth pin 6.3 x 0.8	II	5120.5374.1
10	Medical Version (M5)	Screw/PCB snap-in	Rear-Side	PCB pin and earth pin 6.3 x 0.8	II	5120.5376.1
4	Medical Version (M5)	Screw/PCB	Rear-Side	PCB pin and earth pin 6.3 x 0.8	II	5120.4373.1
6	Medical Version (M5)	Screw/PCB	Rear-Side	PCB pin and earth pin 6.3 x 0.8	II	5120.4374.1
2	Medical Version (M5)	Screw-on/Rivet	Front-/Rear-Side	Quick connect terminals 6.3 x 0.8 mm	II	5120.0301.1
4	Medical Version (M5)	Screw-on/Rivet	Front-/Rear-Side	Quick connect terminals 6.3 x 0.8 mm	II	5120.0303.1
6	Medical Version (M5)	Screw-on/Rivet	Front-/Rear-Side	Quick connect terminals 6.3 x 0.8 mm	II	5120.0304.1
10	Medical Version (M5)	Screw-on/Rivet	Front-/Rear-Side	Solder terminals	II	5120.0316.1
1	Medical Version (M5)	Screw	Rear-Side	Quick connect terminals 6.3 x 0.8 mm	II	5120.1300.1
2	Medical Version (M5)	Screw	Rear-Side	Quick connect terminals 6.3 x 0.8 mm	II	5120.1301.1
2	Medical Version (M5)	Screw	Rear-Side	Solder terminals	II	5120.1311.1
4	Medical Version (M5)	Screw	Rear-Side	Quick connect terminals 6.3 x 0.8 mm	II	5120.1303.1
6	Medical Version (M5)	Screw	Rear-Side	Quick connect terminals 6.3 x 0.8 mm	II	5120.1304.1
10	Medical Version (M5)	Screw	Rear-Side	Quick connect terminals 6.3 x 0.8 mm	II	5120.1306.1
1	Medical Version (M5)	Snap-in	Front-Side	Quick connect terminals 6.3 x 0.8 mm	II	5120.2300.1
2	Medical Version (M5)	Snap-in	Front-Side	Quick connect terminals 6.3 x 0.8 mm	II	5120.2301.1
4	Medical Version (M5)	Snap-in	Front-Side	Quick connect terminals 6.3 x 0.8 mm	II	5120.2303.1
6	Medical Version (M5)	Snap-in	Front-Side	Quick connect terminals 6.3 x 0.8 mm	II	5120.2304.1
10	Medical Version (M5)	Snap-in	Front-Side	Quick connect terminals 6.3 x 0.8 mm	II	5120.2306.1
15	Medical Version (M5)	Snap-in	Front-Side	Quick connect terminals 6.3 x 0.8 mm	II	5120.2307.1
10	Bleed Resistor Version	Screw-on/Rivet	Front-/Rear-Side	Solder terminals	I	5120.0216.0
2	Bleed Resistor Version	Snap-in	Front-Side	Quick connect terminals 6.3 x 0.8 mm	I	5120.2201.0
4	Bleed Resistor Version	Snap-in	Front-Side	Quick connect terminals 6.3 x 0.8 mm	I	5120.2203.0
6	Bleed Resistor Version	Snap-in	Front-Side	Quick connect terminals 6.3 x 0.8 mm	I	5120.2204.0
10	Bleed Resistor Version	Snap-in	Front-Side	Quick connect terminals 6.3 x 0.8 mm	I	5120.2206.0
15	Bleed Resistor Version	Snap-in	Front-Side	Quick connect terminals 6.3 x 0.8 mm	I	5120.2207.0
15	Bleed Resistor Version	Snap-in	Front-Side	Quick connect terminals 6.3 x 0.8 mm	I	5120.2207.0.21

- 15 A version only according UL/CSA

- Type for screw-on mounting from rear side has pre-threaded holes for M3 screws

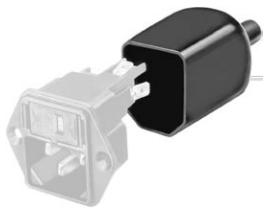
Suffix ".21" corresponds to the version with V-Lock mating cordset. The connector is equipped with a notch intended for use with the latching cordset. The cord latching system prevents against accidental removal of the cordset.

**Packaging unit** 10 Pcs



Accessories

Description



Assorted Covers  
Rear Cover



Wire Harness  
Wire harness for SCHURTER products



Cord retaining kits  
Cord retaining strain relief

Mating Outlets/Connectors

Category / Description

Appliance Outlet Overview complete



IEC Appliance Outlet F, Screw-on Mounting, Front Side, Solder Terminal	4787
IEC Appliance Outlet F, Snap-in Mounting, Front Side, Solder or Quick-connect Terminal	4788
IEC Appliance Outlet F or H, Screw-on Mounting, Front Side, Solder, PCB or Quick-connect Terminal	5091
IEC Appliance Outlet F or H, Screw-on Mounting, Front Side, Solder or Quick-connect Terminal	5092

[Appliance Outlet further types to 5120](#)

Connector Overview complete



IEC Connector C15, Rewireable, Straight	0101
IEC Connector C15A, Rewireable, Straight	0102
IEC Connector C15A, Rewireable, Straight	0102-G
IEC Connector C15A, Rewireable, Angled	0112
IEC Connector C13, Rewireable, Angled	4012

[Connector further types to 5120](#) ...

Power Cord Overview complete



Power Cord with IEC Connector C13, Angled	0311
Power Cord with IEC Connector C13, Angled	3011
Power Cord with IEC Connector C13, Angled	3012
Power Cord with IEC Connector C13, Angled	3013
Power Cord with IEC Connector C13	3020

[Power Cord further types to 5120](#) ...

Компания «Life Electronics» занимается поставками электронных компонентов импортного и отечественного производства от производителей и со складов крупных дистрибьюторов Европы, Америки и Азии.

С конца 2013 года компания активно расширяет линейку поставок компонентов по направлению коаксиальный кабель, кварцевые генераторы и конденсаторы (керамические, пленочные, электролитические), за счёт заключения дистрибьюторских договоров

Мы предлагаем:

- Конкурентоспособные цены и скидки постоянным клиентам.
- Специальные условия для постоянных клиентов.
- Подбор аналогов.
- Поставку компонентов в любых объемах, удовлетворяющих вашим потребностям.
- Приемлемые сроки поставки, возможна ускоренная поставка.
- Доставку товара в любую точку России и стран СНГ.
- Комплексную поставку.
- Работу по проектам и поставку образцов.
- Формирование склада под заказчика.
- Сертификаты соответствия на поставляемую продукцию (по желанию клиента).
- Тестирование поставляемой продукции.
- Поставку компонентов, требующих военную и космическую приемку.
- Входной контроль качества.
- Наличие сертификата ISO.

В составе нашей компании организован Конструкторский отдел, призванный помогать разработчикам, и инженерам.

Конструкторский отдел помогает осуществить:

- Регистрацию проекта у производителя компонентов.
- Техническую поддержку проекта.
- Защиту от снятия компонента с производства.
- Оценку стоимости проекта по компонентам.
- Изготовление тестовой платы монтаж и пусконаладочные работы.



Тел: +7 (812) 336 43 04 (многоканальный)

Email: [org@lifeelectronics.ru](mailto:org@lifeelectronics.ru)