



Main

| | |
|------------------------------------|--|
| Range of product | Altivar Process ATV600 |
| Product or component type | Variable speed drive |
| Product specific application | Process and utilities |
| Device short name | ATV630 |
| Variant | Standard version |
| Product destination | Asynchronous motors Synchronous motors |
| Mounting mode | Wall mount |
| EMC filter | Without EMC filter |
| IP degree of protection | IP21 conforming to IEC 61800-5-1 IP21 conforming to IEC 60529 |
| Degree of protection | UL type 1 UL 508C |
| Type of cooling | Forced convection |
| Supply frequency | 50...60 Hz - 5...5 % |
| Network number of phases | 3 phases |
| [Us] rated supply voltage | 200...240 V - 15...10 % |
| Motor power kW | 4 kW normal duty 3 kW heavy duty |
| Motor power hp | 5 hp normal duty 4 hp heavy duty |
| Line current | 15.1 A 200 V normal duty 12.9 A 240 V normal duty 11.7 A 200 V heavy duty 10.2 A 240 V heavy duty |
| Prospective line I _{sc} | 50 kA |
| Apparent power | 5.4 kVA 240 V normal duty 4.2 kVA 240 V heavy duty |
| Continuous output current | 18.7 A 4 kHz normal duty 13.7 A 4 kHz heavy duty |
| Maximum transient current | 20.6 A 60 s normal duty 20.6 A 60 s heavy duty |
| Asynchronous motor control profile | Constant torque standard Variable torque standard Optimized torque mode |
| Synchronous motor control profile | Permanent magnet motor Synchronous reluctance motor |
| Output frequency | 0.0001...0.5 kHz |
| Speed drive output frequency | 0.1...599 Hz |
| Nominal switching frequency | 4 kHz |
| Switching frequency | 2...12 kHz adjustable 4...12 kHz with derating factor |
| Safety function | STO (safe torque off) SIL 3 |
| Discrete input logic | 16 preset speeds |
| Communication port protocol | Ethernet Modbus serial Modbus TCP |
| Option card | Communication module Profibus DP V1 slot A Communication module Profinet slot A Communication module DeviceNet slot A Communication module Modbus TCP/EtherNet/IP slot A Communication module CANopen daisy chain RJ45 slot A Communication module CANopen SUB-D 9 slot A |

The information provided in this documentation contains general descriptions and/or technical characteristics of the performance of the products contained herein. This documentation is not intended as a substitute for and is not to be used for determining suitability or reliability of these products for specific user applications. It is the duty of any such user or integrator to perform the appropriate and complete risk analysis, evaluation and testing of the products with respect to the relevant specific application or use thereof. Neither Schneider Electric Industries SAS nor any of its affiliates or subsidiaries shall be responsible or liable for misuse of the information contained herein.

Communication module CANopen screw terminals slot A
 Digital and analog I/O extension module slot A/slot B
 Output relay extension module slot A/slot B
 Communication module Ethernet IP/Modbus TCP/MD-Link slot A
 Communication module BACnet MS/TP
 Communication module Ethernet Powerlink

Complementary

| | |
|-------------------------------------|--|
| Output voltage | <= power supply voltage |
| Permissible temporary current boost | 1.1 x I _n 60 s normal duty 1.5 x I _n 60 s heavy duty |
| Motor slip compensation | Adjustable Automatic whatever the load Can be suppressed Not available in permanent magnet motor law |
| Acceleration and deceleration ramps | Linear adjustable separately from 0.01...9999 s |
| Braking to standstill | By DC injection |
| Protection type | Line supply overvoltage drive Line supply phase loss drive Line supply undervoltage drive Overcurrent between output phases and earth drive Thermal protection motor Thermal protection drive Safe torque off motor Motor phase break motor Safe torque off drive Overheating drive Short-circuit protection drive Motor phase break drive Overspeed drive Break on the control circuit drive Overvoltages on the DC bus drive Overload of output voltage drive |
| Frequency resolution | Display unit Analog input |
| Electrical connection | Removable screw terminals 0.5...1.5 mm ² AWG 20...AWG 16 control Screw terminal 6 mm ² AWG 10 motor Screw terminal 4...6 mm ² AWG 12...AWG10 line side |
| Connector type | RJ45 Ethernet/Modbus TCP on the remote graphic terminal RJ45 Modbus serial on the remote graphic terminal |
| Physical interface | 2-wire RS 485 Modbus serial |
| Transmission frame | RTU Modbus serial |
| Transmission rate | 10/100 Mbit/s Ethernet IP/Modbus TCP 4.8, 9.6, 19.2, 38.4 kbit/s Modbus serial |
| Exchange mode | Half duplex, full duplex, autonegotiation Ethernet/Modbus TCP |
| Data format | 8 bits, configurable odd, even or no parity Modbus serial |
| Type of polarization | No impedance Modbus serial |
| Number of addresses | 1...247 Modbus serial |
| Method of access | Slave Modbus TCP |
| Supply | Internal supply for reference potentiometer (1 to 10 kOhm) 10.5 V DC +/- 5 % <= 10 mA overload and short-circuit protection External supply for digital inputs 24 V DC 19...30 V <= 1.25 mA overload and short-circuit protection Internal supply for digital inputs and STO 24 V DC 21...27 V <= 200 mA overload and short-circuit protection |
| Local signalling | 3 LEDs local diagnostic 3 LEDs dual colour embedded communication status 4 LEDs dual colour communication module status 1 LED red presence of voltage |
| Width | 5.67 in (144 mm) |
| Height | 13.78 in (350 mm) |
| Depth | 7.99 in (203 mm) |
| Product weight | 10.14 lb(US) (4.6 kg) |
| Analogue input number | 3 |

| | |
|------------------------------------|--|
| Analogue input type | Software-configurable voltage AI1, AI2, AI3 0...10 V DC 30 kOhm 12 bits Software-configurable current AI1, AI2, AI3 0...20 mA/4...20 mA 250 Ohm 12 bits |
| Discrete input number | 8 |
| Discrete input type | Programmable DI1...DI6 24 V DC 3.5 kOhm Programmable as pulse input DI5, DI6 0...30 kHz 24 V DC Safe torque off STOA, STOB 24 V DC > 2.2 kOhm |
| Input compatibility | Level 1 PLC EN/IEC 61131-2 DI1...DI6 discrete input Level 1 PLC IEC 65A-68 DI5, DI6 discrete input Level 1 PLC EN/IEC 61131-2 STOA, STOB discrete input |
| Discrete input logic | Positive logic (source) DI1...DI6 < 5 V > 11 V Negative logic (sink) DI1...DI6 > 16 V < 10 V Positive logic (source) DI5, DI6 < 0.6 V > 2.5 V Positive logic (source) STOA, STOB < 5 V > 11 V |
| Analogue output number | 2 |
| Analogue output type | Software-configurable voltage AO1, AO2 0...10 V DC 470 Ohm 10 bits Software-configurable current AO1, AO2 0...20 mA 10 bits |
| Sampling duration | 2 ms +/- 0.5 ms DI1...DI4 discrete input 5 ms +/- 1 ms DI5, DI6 discrete input 5 ms +/- 0.1 ms AI1, AI2, AI3 analog input 10 ms +/- 1 ms AO1 analog output |
| Accuracy | +/- 0.6 % AI1, AI2, AI3 for a temperature variation 60 °C analog input +/- 1 % AO1, AO2 for a temperature variation 60 °C analog output |
| Linearity error | +/- 0.15 % of maximum value analog input AI1, AI2, AI3 +/- 0.2 % analog output AO1, AO2 |
| Relay output number | 3 |
| Relay output type | Configurable relay logic R1 fault relay NO/NC 100000 cycles Configurable relay logic R2 sequence relay NO 100000 cycles Configurable relay logic R3 sequence relay NO 100000 cycles |
| Refresh time | 5 ms +/- 0.5 ms R1, R2, R3 relay output |
| Minimum switching current | 5 mA 24 V DC R1, R2, R3 relay output |
| Maximum switching current | 3 A 250 V AC resistive 1 R1, R2, R3 relay output 3 A 30 V DC resistive 1 R1, R2, R3 relay output 2 A 250 V AC inductive 0.4 7 ms R1, R2, R3 relay output 2 A 30 V DC inductive 0.4 7 ms R1, R2, R3 relay output |
| Isolation | Between power and control terminals |
| Specific application | Utility |
| IP degree of protection | IP21 |
| Discrete and process manufacturing | Building - HVAC compressor centrifugal Food and beverage processing other application Mining mineral and metal fan Mining mineral and metal pump Oil and gas fan Water and waste water other application Building - HVAC screw compressor Food and beverage processing pump Food and beverage processing fan Food and beverage processing atomization Oil and gas electro submersible pump (ESP) Oil and gas water injection pump Oil and gas jet fuel pump Oil and gas compressor for refinery Water and waste water centrifuge pump Water and waste water positive displacement pump Water and waste water electro submersible pump (ESP) Water and waste water screw pump Water and waste water lobe compressor Water and waste water screw compressor Water and waste water compressor centrifugal Water and waste water fan Water and waste water conveyor Water and waste water mixer |
| Power range | 4...6 kW 200...240 V 3 phases |
| Motor starter type | Variable speed drive |

Environment

| | |
|------------------------|---|
| insulation resistance | > 1 MOhm 500 V DC for 1 minute to earth |
| noise level | 54.5 dB 86/188/EEC |
| power dissipation in W | 38 W natural convection 200 V 4 kHz |

| | |
|---------------------------------------|--|
| | 141 W forced convection 200 V 4 kHz |
| volume of cooling air | 10038.72 Gal/hr(US) (38 m3/h) |
| operating position | Vertical +/- 10 degree |
| THDI | <= 48 % full load IEC 61000-3-12 |
| electromagnetic compatibility | 1.2/50 µs - 8/20 µs surge immunity test level 3 IEC 61000-4-5 Electrical fast transient/burst immunity test level 4 IEC 61000-4-4 Electrostatic discharge immunity test level 3 IEC 61000-4-2 Radiated radio-frequency electromagnetic field immunity test level 3 IEC 61000-4-3 Conducted radio-frequency immunity test level 3 IEC 61000-4-6 |
| pollution degree | 2 EN/IEC 61800-5-1 |
| vibration resistance | 1.5 mm peak to peak 2...13 Hz IEC 60068-2-6 1 gn 13...200 Hz IEC 60068-2-6 |
| shock resistance | 15 gn 11 ms IEC 60068-2-27 |
| relative humidity | 5...95 % without condensation IEC 60068-2-3 |
| ambient air temperature for operation | 122...140 °F (50...60 °C) with derating factor 5...122 °F (-15...50 °C) without derating |
| ambient air temperature for storage | -40...158 °F (-40...70 °C) |
| operating altitude | <= 3280.84 ft (1000 m) without derating 1000...4800 m with current derating 1 % per 100 m |
| environmental characteristic | Chemical pollution resistance class 3C3 EN/IEC 60721-3-3 Dust pollution resistance class 3S3 EN/IEC 60721-3-3 |
| standards | EN/IEC 61800-3 EN/IEC 61800-3 environment 1 category C2 EN/IEC 61800-3 environment 2 category C3 UL 508C EN/IEC 61800-5-1 IEC 61000-3-12 IEC 60721-3 IEC 61508 IEC 13849-1 |
| product certifications | ATEX INERIS ATEX zone 2/22 CSA TÜV UL REACH DNV-GL |
| marking | CE |

Offer Sustainability

| | |
|--|--|
| Green Premium product | Green Premium product |
| Compliant - since 1444 - Schneider Electric declaration of conformity | Compliant - since 1444 - Schneider Electric declaration of conformity |
| Reference not containing SVHC above the threshold | Reference not containing SVHC above the threshold |
| Available | Available |
| Available | Available |
| WARNING: This product can expose you to chemicals including: | WARNING: This product can expose you to chemicals including: |
| Lead and lead compounds, which is known to the State of California to cause cancer and birth defects or other reproductive harm. | Lead and lead compounds, which is known to the State of California to cause cancer and birth defects or other reproductive harm. |
| Bisphenol A (BPA), which is known to the State of California to cause birth defects or other reproductive harm. | Bisphenol A (BPA), which is known to the State of California to cause birth defects or other reproductive harm. |
| For more information go to www.p65warnings.ca.gov | For more information go to www.p65warnings.ca.gov |

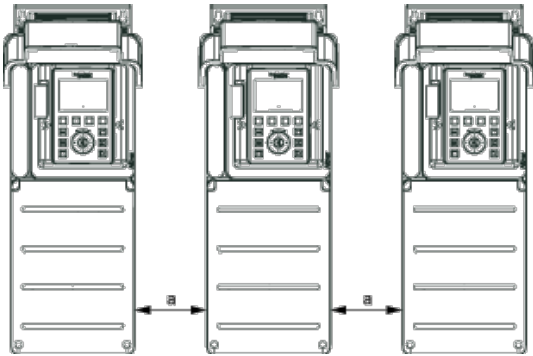
Dimensions

Drives with IP21 Top Cover

Right and Front Views

Mounting Types

Mounting Type A: Individual IP21



$a \geq 100 \text{ mm (3.94 in.)}$

Mounting Type B: Side by Side IP20



Mounting Type C: Individual IP20



$a \geq 0$

Three-Phase Power Supply with Upstream Breaking via Line Contactor

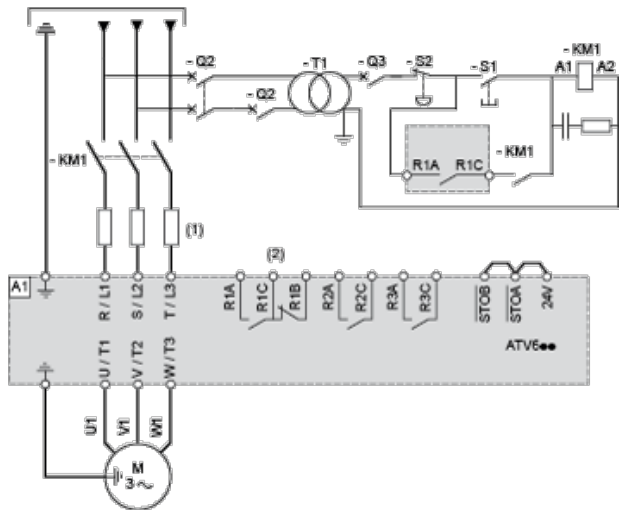
Connection diagrams conforming to standards EN 954-1 category 1 and IEC/EN 61508 capacity SIL1, stopping category 0 in accordance with standard IEC/EN 60204-1



- (1) Line choke if used
 - (2) Use relay R1 set to operating state Fault to switch Off the product once an error is detected.
- A1 : Drive
 KM1 :Line Contactor
 Q2, Circuit breakers
 Q3 :
 S1, Pushbuttons
 S2 :
 T1 : Transformer for control part

Three-Phase Power Supply with Downstream Breaking via Contactor

Connection diagrams conforming to standards EN 954-1 category 1 and IEC/EN 61508 capacity SIL1, stopping category 0 in accordance with standard IEC/EN 60204-1



- (1) Line choke if used
 - (2) Use relay R1 set to operating state Fault to switch Off the product once an error is detected.
- A1 : Drive
 KM1 :Contactor

Control Block Wiring Diagram



- (1) Safe Torque Off
- (2) Analog Output
- (3) Digital Input
- (4) Reference potentiometer
- (5) Analog Input

R1A, Fault relay

R1B,
R1C :

R2A, Sequence relay

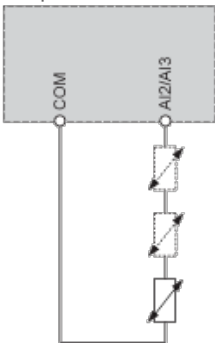
R2C :

R3A, Sequence relay

R3C :

Sensor Connection

It is possible to connect either 1 or 3 sensors on terminals AI2 or AI3.

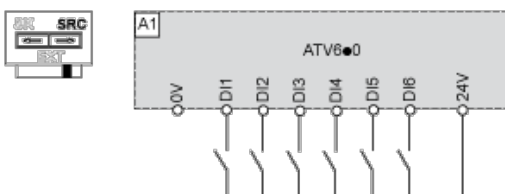


Sink / Source Switch Configuration

The switch is used to adapt the operation of the logic inputs to the technology of the programmable controller outputs.

- ▮ Set the switch to Source (factory setting) if using PLC outputs with PNP transistors.
- ▮ Set the switch to Ext if using PLC outputs with NPN transistors.

Switch Set to SRC (Source) Position Using the Output Power Supply for the Digital Inputs



Switch Set to SRC (Source) Position and Use of an External Power Supply for the DIs



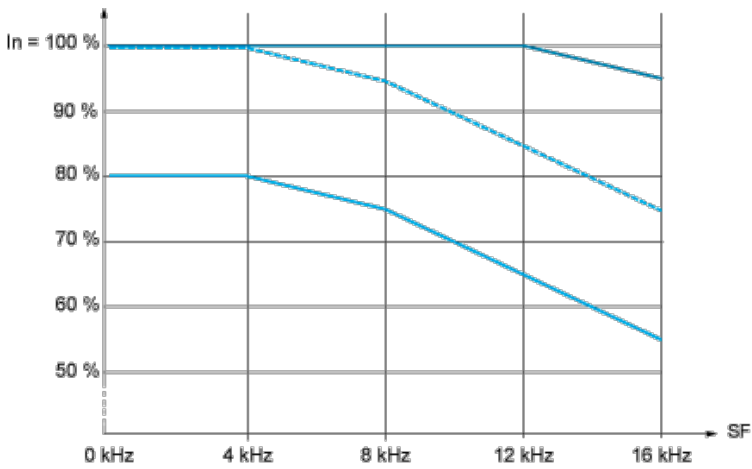
Switch Set to SK (Sink) Position Using the Output Power Supply for the Digital Inputs



Switch Set to EXT Position Using an External Power Supply for the DIs



Derating Curves



- 40 °C (104 °F) - Mounting type A, B and C
- ⋯ 50 °C (122 °F) - Mounting type A, B and C
- 60 °C (140 °F) - Mounting type B and C

In : Nominal Drive Current

SF : Switching Frequency

Компания «Life Electronics» занимается поставками электронных компонентов импортного и отечественного производства от производителей и со складов крупных дистрибьюторов Европы, Америки и Азии.

С конца 2013 года компания активно расширяет линейку поставок компонентов по направлению коаксиальный кабель, кварцевые генераторы и конденсаторы (керамические, пленочные, электролитические), за счёт заключения дистрибьюторских договоров

Мы предлагаем:

- Конкуренспособные цены и скидки постоянным клиентам.
- Специальные условия для постоянных клиентов.
- Подбор аналогов.
- Поставку компонентов в любых объемах, удовлетворяющих вашим потребностям.
- Приемлемые сроки поставки, возможна ускоренная поставка.
- Доставку товара в любую точку России и стран СНГ.
- Комплексную поставку.
- Работу по проектам и поставку образцов.
- Формирование склада под заказчика.
- Сертификаты соответствия на поставляемую продукцию (по желанию клиента).
- Тестирование поставляемой продукции.
- Поставку компонентов, требующих военную и космическую приемку.
- Входной контроль качества.
- Наличие сертификата ISO.

В составе нашей компании организован Конструкторский отдел, призванный помогать разработчикам, и инженерам.

Конструкторский отдел помогает осуществить:

- Регистрацию проекта у производителя компонентов.
- Техническую поддержку проекта.
- Защиту от снятия компонента с производства.
- Оценку стоимости проекта по компонентам.
- Изготовление тестовой платы монтаж и пусконаладочные работы.



Тел: +7 (812) 336 43 04 (многоканальный)

Email: org@lifeelectronics.ru