

# Surge Protection Devices

## SPD2 4+0 SERIES

Class II/Type 2/Type 1 CA Pluggable Multi-Pole



### Description

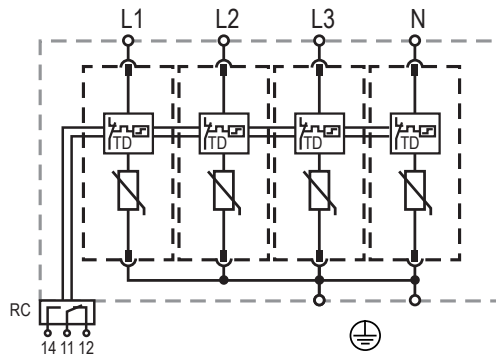
Surge protection devices (SPDs) provide equipment protection from transient overvoltage events lasting micro-seconds. By limiting the overvoltage to the equipment during these events, costly damage and downtime can be mitigated.

The surge protection devices for the 4+0 configuration are available for 120 V to 480 V nominal voltage sub-distribution board applications.

### Features & Benefits

| FEATURES  | BENEFITS  |
|---|---|
| <b>Capability to clamp and withstand high-energy transients</b>                 | Ensures low-residual voltage during high-energy surge events and higher nominal discharge current to prevent disruption, downtime, and degradation or damage to equipment |
| <b>UL Recognized and VDE-IEC compliant in single part number</b>                | One component can be utilized globally, reducing inventory needs and simplifying allocation of parts  |
| <b>Interlocking tab mechanism</b>   | Secures module to withstand vibration   |
| <b>No additional overcurrent protection devices required in UL applications</b> | Reduces the number of components and costs required for protection  |
| <b>Compact footprint</b>  | Increases panel design flexibility  |
| <b>Visual life indicator</b>  | Quick visual determines module replacement status to avoid loss of protection   |
| <b>Pluggable modules</b>  | Fast and simple to replace, minimizing maintenance and downtime. No tools required  |
| <b>Thermal protection</b>   | Eliminates catastrophic failure   |
| <b>IP20 protection rating</b>   | Finger-safe design increases worker protection  |

### Internal Configuration



#### Legend

- L Line
- N Neutral
- ⊕ Protective Earth
- RC Remote Contacts
- TD Thermal Disconnection

### Module & Base Ordering Information

| Ordering Number | IEC Electrical                         |   |  |  |                                    |  |                             |                              | UL Electrical                                  |                                 |  |                                     | Single Unit Weight |
|-----------------|--|---|--|--|------------------------------------|--|-----------------------------|------------------------------|--|---------------------------------|--|-------------------------------------|--------------------|
|                 | Nominal AC Voltage (50/60Hz) ( $U_n$ ) | Maximum Continuous Operating AC Voltage ( $U_c$ ) | Nominal Discharge Current (8/20 $\mu$ s) ( $I_n$ ) | Maximum Discharge Current (8/20 $\mu$ s) ( $I_{max}$ ) | Voltage Protection Level ( $U_p$ ) | Short-Circuit AC Current Rating ( $I_{SCCR}$ ) | TOV Withstand 5 s ( $U_r$ ) | TOV 120 min ( $U_r$ ) / Mode | Maximum Continuous AC Operating Voltage (MCOV) | Voltage Protection Rating (VPR) | Nominal Discharge Current (8/20 $\mu$ s) ( $I_n$ ) | Short-Circuit Current Rating (SCCR) |                    |
| SPD2-150-4P0-R  | 120 V                                  | 150 V   | 20 kA  | 50 kA  | 1250 V                             | 25 kA / 50 kA                                  | 229 V                       | 229 V / Withstand            | 150 V  | 600 V                           | 20 kA  | 200 kA                              | 477 g (1.052 lb)   |
| SPD2-300-4P0-R  | 240 V                                  | 300 V   | 20 kA  | 50 kA  | 1500 V                             | 25 kA / 50 kA                                  | 337 V                       | 442 V / Safe Fail            | 300 V  | 900 V                           | 20 kA  | 150 kA                              | 505 g (1.114 lb)   |
| SPD2-350-4P0-R  | 277 V                                  | 350 V   | 20 kA  | 50 kA  | 1750 V                             | 25 kA / 50 kA                                  | 403 V                       | 529 V / Safe Fail            | 350 V  | 1000 V                          | 20 kA  | 200 kA                              | 525 g (1.158 lb)   |
| SPD2-480-4P0-R  | 400 V                                  | 480 V   | 20 kA  | 50 kA  | 2300 V                             | 25 kA / 50 kA                                  | 581 V                       | 762 V / Safe Fail            | 480 V  | 1500 V                          | 20 kA  | 200 kA                              | 545 g (1.202 lb)   |
| SPD2-550-4P0-R* | 480 V                                  | 550 V   | 20 kA  | 50 kA  | 2500 V                             | 25 kA / 50 kA                                  | 697 V                       | 915 V / Safe Fail            | 550 V  | 2000 V                          | 20 kA  | 200 kA                              | 557 g (1.228 lb)   |

# Surge Protection Devices

## SPD2 4+0 SERIES

### Module & Base Part Numbering System



### Module Only Part Numbering System



### Replacement Module Ordering Information

| Ordering Number | IEC Electrical                             |   |  |  |                                    |  |                             |                              | UL Electrical                                  |                                 |  |                                     | Single Unit Weight |
|-----------------|--|---|--|--|------------------------------------|--|-----------------------------|------------------------------|--|---------------------------------|--|-------------------------------------|--------------------|
|                 | Nominal AC Voltage (50/60Hz) ( $U_p/U_n$ ) | Maximum Continuous Operating AC Voltage ( $U_c$ ) | Nominal Discharge Current (8/20 $\mu$ s) ( $I_n$ ) | Maximum Discharge Current (8/20 $\mu$ s) ( $I_{max}$ ) | Voltage Protection Level ( $U_p$ ) | Short-Circuit AC Current Rating ( $I_{SCRF}$ ) | TOV Withstand 5 s ( $U_1$ ) | TOV 120 min ( $U_1$ ) / Mode | Maximum Continuous AC Operating Voltage (MCOV) | Voltage Protection Rating (VPR) | Nominal Discharge Current (8/20 $\mu$ s) ( $I_n$ ) | Short-Circuit Current Rating (SCCR) |                    |
| SPD2-150-M      | 120 V                                      | 150 V   | 20 kA  | 50 kA  | 1250 V                             | 25 kA / 50 kA                                  | 229 V                       | 229 V / Withstand            | 150 V  | 600 V                           | 20 kA  | 200 kA                              | 54 g (0.120 lb)    |
| SPD2-300-M      | 240 V                                      | 300 V   | 20 kA  | 50 kA  | 1500 V                             | 25 kA / 50 kA                                  | 337 V                       | 442 V / Safe Fail            | 300 V  | 900 V                           | 20 kA  | 150 kA                              | 61 g (0.135 lb)    |
| SPD2-350-M      | 277 V                                      | 350 V   | 20 kA  | 50 kA  | 1750 V                             | 25 kA / 50 kA                                  | 403 V                       | 529 V / Safe Fail            | 350 V  | 1000 V                          | 20 kA  | 200 kA                              | 66 g (0.146 lb)    |
| SPD2-480-M      | 400 V                                      | 480 V   | 20 kA  | 50 kA  | 2300 V                             | 25 kA / 50 kA                                  | 581 V                       | 762 V / Safe Fail            | 480 V  | 1500 V                          | 20 kA  | 200 kA                              | 71 g (0.157 lb)    |
| SPD2-550-M*     | 480 V                                      | 550 V   | 20 kA  | 50 kA  | 2500 V                             | 25 kA / 50 kA                                  | 697 V                       | 915 V / Safe Fail            | 550 V  | 2000 V                          | 20 kA  | 200 kA                              | 74 g (0.163 lb)    |

### Specifications

|  |  |
|--|--|
| <b>Network Systems</b>   | IT, TN-S   |
| <b>Mode of Protection</b>  | L-PE, N-PE   |
| <b>Nominal Discharge Current (8/20 <math>\mu</math>s) (<math>I_n</math>)</b>     | 20 kA  |
| <b>Maximum Discharge Current (8/20 <math>\mu</math>s) (<math>I_{max}</math>)</b> | Up to 50 kA  |
| <b>Protective Elements</b>   | High Energy MOV  |
| <b>Response Time (<math>t_A</math>)</b>  | < 25 ns  |
| <b>Back-Up Fuse (max)</b>  | 315 A / 250 A Gg   |
| <b>Number of Ports</b>   | 1  |
| <b>Mechanical &amp; Environmental</b>  |  |
| <b>Operating Temperature Range (<math>T_a</math>)</b>                            | -40 °C to +80 °C (-40 °F to +185 °F)   |
| <b>Permissible Operating Humidity (RH)</b>                                       | 5% to 95%  |
| <b>Altitude (max)</b>  | 4,000 m (13,123 ft)  |
| <b>Terminal Screw Torque (<math>M_{max}</math>)</b>                              | 4.5 Nm (39.9 lbf-in)   |
| <b>Conductor Cross Section (max)</b>   | 35 mm <sup>2</sup> (2 AWG) (Solid, Stranded) / 25 mm <sup>2</sup> (4 AWG) (Flexible) |
| <b>Mounting</b>  | 35 mm DIN Rail, EN60715  |
| <b>Degree of Protection</b>  | IP20 (built-in)  |
| <b>Housing Material</b>  | Thermoplastic: Extinguishing Degree UL 94 V-0  |

|   |  |
|---|--|
| <b>Thermal Protection</b>                           | Yes  |
| <b>Operating State/Fault Indication</b>             | Green Flag/No Green Flag   |
| <b>Remote Contact Switching Capacity</b>            | AC: 250 V/1 A, 125 V/1 A; DC: 48 V/0.5 A, 24 V/0.5 A, 12 V/0.5 A               |
| <b>Remote Contact Conductor Cross Section (max)</b> | 1.5 mm <sup>2</sup> (16 AWG) (Solid)   |
| <b>Standards Passed*</b>                            | IEC 61643-11:2011<br>EN 61643-11:2012<br>UL 1449, 4th edition; E320116         |
| <b>Product Dimensions</b>                           |  |
| <b>4TE Module and Base</b>                          | <b>H</b> 90.0 mm (3.54"); <b>W</b> 72.0 mm (2.84"); <b>D</b> 70.0 mm (2.76")   |
| <b>1TE Replacement Module</b>                       | <b>H</b> 45.0 mm (1.77"); <b>W</b> 18.0 mm (0.71"); <b>D</b> 57.2mm (2.25")    |
| <b>Package Dimensions</b>                           |  |
| <b>4TE Module and Base</b>                          | <b>H</b> 102.0 mm (4.01"); <b>W</b> 82.0 mm (3.23"); <b>D</b> 110.0 mm (4.33") |
| <b>1TE Replacement Module</b>                       | <b>H</b> 102.0 mm (4.01"); <b>W</b> 28.0 mm (1.10"); <b>D</b> 110.0 mm (4.33") |

\*SPD2-550-4P0-R and SPD2-550-M are UL Listed only

Warranty – Visit [www.littelfuse.com/warranty](http://www.littelfuse.com/warranty) for details.

Disclaimer Notice – Information furnished is believed to be accurate and reliable. However, users should independently evaluate the suitability of and test each product selected for their own applications. Littelfuse products are not designed for, and may not be used in, all applications. Read complete Disclaimer Notice at [www.littelfuse.com/product-disclaimer](http://www.littelfuse.com/product-disclaimer).

Компания «Life Electronics» занимается поставками электронных компонентов импортного и отечественного производства от производителей и со складов крупных дистрибьюторов Европы, Америки и Азии.

С конца 2013 года компания активно расширяет линейку поставок компонентов по направлению коаксиальный кабель, кварцевые генераторы и конденсаторы (керамические, пленочные, электролитические), за счёт заключения дистрибьюторских договоров

Мы предлагаем:

- Конкурентоспособные цены и скидки постоянным клиентам.
- Специальные условия для постоянных клиентов.
- Подбор аналогов.
- Поставку компонентов в любых объемах, удовлетворяющих вашим потребностям.
- Приемлемые сроки поставки, возможна ускоренная поставка.
- Доставку товара в любую точку России и стран СНГ.
- Комплексную поставку.
- Работу по проектам и поставку образцов.
- Формирование склада под заказчика.
- Сертификаты соответствия на поставляемую продукцию (по желанию клиента).
- Тестирование поставляемой продукции.
- Поставку компонентов, требующих военную и космическую приемку.
- Входной контроль качества.
- Наличие сертификата ISO.

В составе нашей компании организован Конструкторский отдел, призванный помогать разработчикам, и инженерам.

Конструкторский отдел помогает осуществить:

- Регистрацию проекта у производителя компонентов.
- Техническую поддержку проекта.
- Защиту от снятия компонента с производства.
- Оценку стоимости проекта по компонентам.
- Изготовление тестовой платы монтаж и пусконаладочные работы.



Тел: +7 (812) 336 43 04 (многоканальный)

Email: [org@lifeelectronics.ru](mailto:org@lifeelectronics.ru)