

**Knobs, Molded Phenolic**

**PH SERIES**



PH15181/4



| Tyco        |            | Straight Knurl Less Indicator Line |            |            |            |            |            |
|-------------|------------|------------------------------------|------------|------------|------------|------------|------------|
| Electronics | Alcoswitch | A                                  | B          | C          | D          | E          | F          |
| 1437624-2   | PH15181/4  | .996(25.3)                         | .972(24.7) | .799(20.3) | .472(12.0) | .669(17.0) | .157(3.99) |

**PK SERIES**



PK50B1/8



PK701/4

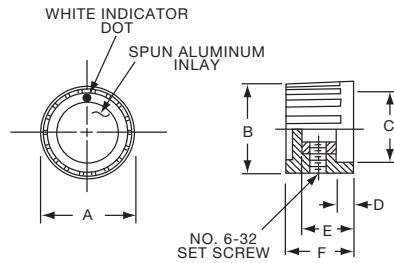


| Tyco        |            | Straight Knurl with Dot Indicator on Skirt |            |             |            |            |             |
|-------------|------------|--|------------|-------------|------------|------------|-------------|
| Electronics | Alcoswitch | A  | B          | C           | D          | E          | F           |
| 1437624-7   | PK50B1/8   | .748(19.0)                                 | .570(14.5) | .500(12.70) | .055(1.40) | .460(11.7) | .550(13.97) |
| 1437624-6   | PK50B1/4   | .748(19.0)                                 | .570(14.5) | .500(12.70) | .055(1.40) | .460(11.7) | .550(13.97) |
| 1437624-8   | PK70B1/4   | .984(25.0)                                 | .728(18.5) | .710(18.03) | .079(2.01) | .500(12.7) | .590(14.99) |
| 1437624-9   | PK90B1/4   | 1.25(31.8)                                 | .985(25.0) | .870(22.01) | .098(2.49) | .470(11.9) | .595(15.10) |

**PK SERIES**



PK1100B1/4

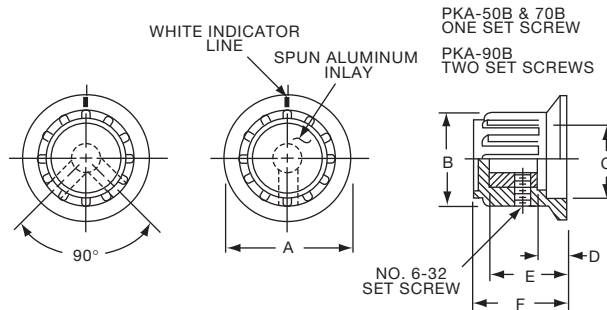


| Tyco        |            | Serrated with Dot Indicator on Top |            |             |            |             |            |
|-------------|------------|------------------------------------|------------|-------------|------------|-------------|------------|
| Electronics | Alcoswitch | A                                  | B          | C           | D          | E           | F          |
| 1437624-4   | PK1100B1/8 | .700(17.8)                         | .643(16.3) | .565(14.35) | .125(3.18) | .453(11.51) | .530(13.5) |

K

P Series

**Knobs, Molded Phenolic**



**PKA SERIES**



PKA50B1/4



PKA90B1/4

| Tyco Electronics Alcoswitch |           | Ribbed with Line Indicator on Skirt |            |            |            |            |            |
|-----------------------------|-----------|-------------------------------------|------------|------------|------------|------------|------------|
|                             |           | A                                   | B          | C          | D          | E          | F          |
| 1-1437624-1                 | PKA50B1/8 | .795(20.2)                          | .580(14.7) | .540(13.7) | .080(2.03) | .450(11.4) | .590(15.0) |
| 1-1437624-0                 | PKA50B1/4 | .795(20.2)                          | .580(14.7) | .540(13.7) | .080(2.03) | .450(11.4) | .590(15.0) |
| 1-1437624-4                 | PKA55B1/8 | .780(19.8)                          | .580(14.7) | .475(12.1) | .135(3.43) | .585(14.9) | .675(17.2) |
| 1-1437624-3                 | PKA55B1/4 | .780(19.8)                          | .580(14.7) | .475(12.1) | .135(3.43) | .585(14.9) | .675(17.2) |
| 1-1437624-5                 | PKA70B1/4 | .980(24.9)                          | .740(18.8) | .680(17.3) | .118(3.00) | .650(16.5) | .750(19.1) |
| 1-1437624-7                 | PKA90B1/4 | 1.375(34.9)                         | .970(24.6) | .670(17.0) | .195(4.95) | .750(19.1) | .840(21.3) |



**PKAP SERIES**



PKAP50B1/8



PKAP90B1/4

| Tyco Electronics Alcoswitch |            | Ribbed with Skirt and Pointer with Indicator Line |            |            |            |            |             |
|-----------------------------|------------|---|------------|------------|------------|------------|-------------|
|                             |            | A   | B          | C          | D          | E          | F           |
| 1-1437624-8                 | PKAP50B1/4 | .787(20.0)  | .693(17.6) | .508(12.9) | .082(2.08) | .579(14.7) | .689(17.5)  |
| 1-1437624-9                 | PKAP50B1/8 | .787(20.0)  | .693(17.6) | .508(12.9) | .082(2.08) | .579(14.7) | .689(17.5)  |
| 2-1437624-0                 | PKAP70B1/4 | .976(24.8)  | .874(22.1) | .668(17.0) | .158(4.01) | .634(16.1) | .737(18.72) |

**Knobs, Molded Phenolic**

**PKB SERIES**



PKB90B1/4



|                  |            | Fluted with Indicator Line On Skirt |            |            |           |            |            |
|------------------|------------|-------------------------------------|------------|------------|-----------|------------|------------|
| Tyco Electronics | Alcoswitch | A                                   | B          | C          | D         | E          | F          |
| 2-1437624-3      | PKB70B1/4  | 1.12(28.3)                          | .750(19.1) | .670(17.0) | .118(3.0) | .490(12.5) | .600(15.2) |
| 2-1437624-4      | PKB90B1/4  | 1.50(38.1)                          | 1.02(25.8) | .800(20.3) | .118(3.0) | .705(17.9) | .820(20.8) |

**PKD SERIES**



PKD60B1/4



PKD100B1/4



|                  |            | Straight Knurl Aluminum Skirt w/Arrow Indicator |            |            |           |            |            |
|------------------|------------|---|------------|------------|-----------|------------|------------|
| Tyco Electronics | Alcoswitch | A   | B          | C          | D         | E          | F          |
| 2-1437624-8      | PKD60B1/8  | .780(19.8)                                      | .566(14.4) | .487(12.4) | .059(1.5) | .492(12.5) | .563(14.3) |
| 2-1437624-7      | PKD60B1/4  | .780(19.8)                                      | .566(14.4) | .487(12.4) | .059(1.5) | .492(12.5) | .563(14.3) |
| 3-1437624-1      | PKD70B1/4  | 1.02(25.9)                                      | .750(19.1) | .700(17.8) | .080(2.0) | .490(12.5) | .610(15.5) |
| 2-1437624-5      | PKD100B1/4 | 1.29(32.8)                                      | 1.00(25.4) | .865(22.0) | .050(1.3) | .500(12.7) | .590(15.0) |

**PKD SERIES**



PKD60B101/8



PKD100B101/4



|                  |              | Straight Knurl Skirt w/0-10 Numerals |            |            |           |            |            |
|------------------|--------------|--------------------------------------|------------|------------|-----------|------------|------------|
| Tyco Electronics | Alcoswitch   | A                                    | B          | C          | D         | E          | F          |
| 3-1437624-0      | PKD60B101/8  | .780(19.8)                           | .566(14.4) | .487(12.4) | .059(1.5) | .492(12.5) | .563(14.3) |
| 2-1437624-9      | PKD60B101/4  | .780(19.8)                           | .566(14.4) | .487(12.4) | .059(1.5) | .492(12.5) | .563(14.3) |
| 3-1437624-2      | PKD70B101/4  | 1.02(25.9)                           | .750(19.1) | .700(17.8) | .080(2.0) | .490(12.5) | .610(15.5) |
| 2-1437624-6      | PKD100B101/4 | 1.29(32.8)                           | 1.00(25.4) | .865(22.0) | .050(1.3) | .500(12.7) | .590(15.0) |

**K**

**P Series**

**Knobs, Molded Phenolic**



**PKDT SERIES**



PKDT100B1/4

| Tyco<br>Black Spin Cap with "Diamond Cut" and Arrow Indicator |             |            |            |            |            |            |            |
|---|-------------|------------|------------|------------|------------|------------|------------|
| Electronics   | Alcoswitch  | A          | B          | C          | D          | E          | F          |
| 3-1437624-9   | PKDT70B1/4  | 1.03(26.0) | .738(18.8) | .720(18.3) | .098(2.49) | .500(12.7) | .635(16.1) |
| 3-1437624-3   | PKDT100B1/4 | 1.29(32.8) | 1.02(25.9) | .860(21.8) | .042(1.07) | .500(12.7) | .638(16.2) |



**PKDT SERIES**



PKDT100B101/4

| Tyco<br>Black Spin Cap with "Diamond Cut" & 0-10 Numerals |               |            |            |            |            |            |            |
|---|---------------|------------|------------|------------|------------|------------|------------|
| Electronics   | Alcoswitch    | A          | B          | C          | D          | E          | F          |
| 3-1437624-8   | PKDT60B101/8  | .778(19.8) | .605(15.4) | .560(12.5) | .060(1.53) | .392(9.96) | .562(14.3) |
| 4-1437624-0   | PKDT70B101/4  | 1.03(26.0) | .738(18.8) | .720(18.3) | .098(2.49) | .500(12.7) | .635(16.1) |
| 3-1437624-4   | PKDT100B101/4 | 1.29(32.8) | 1.02(25.9) | .860(21.8) | .042(1.07) | .500(12.7) | .638(16.2) |



**PKE SERIES**



PKE90B1/4

| Tyco<br>Fluted with Indicator Line |            |            |            |            |            |
|------------------------------------|------------|------------|------------|------------|------------|
| Electronics                        | Alcoswitch | A          | B          | C          | E          |
| 4-1437624-4                        | PKE60B1/8  | .626(15.9) | .472(12.0) | .091(2.31) | .394(10.0) |
| 4-1437624-3                        | PKE60B1/4  | .626(15.9) | .472(12.0) | .091(2.31) | .394(10.0) |
| 4-1437624-5                        | PKE90B1/4  | .890(22.6) | .724(18.4) | .098(2.49) | .480(12.2) |



**PKES SERIES**



PKES70B1/4

| Tyco<br>Fluted with Skirt and Indicator Line |             |            |            |            |            |            |            |
|--|-------------|------------|------------|------------|------------|------------|------------|
| Electronics                                  | Alcoswitch  | A          | B          | C          | D          | E          | F          |
| 5-1437624-1                                  | PKES60B1/8  | .748(19.0) | .618(15.7) | .460(11.7) | .090(2.29) | .370(9.40) | .470(11.9) |
| 5-1437624-0                                  | PKES60B1/4  | .748(19.0) | .618(15.7) | .460(11.7) | .090(2.29) | .370(9.40) | .470(11.9) |
| 5-1437624-2                                  | PKES70B1/4  | .855(21.7) | .744(18.9) | .705(17.9) | .080(2.03) | .421(10.7) | .526(13.4) |
| 5-1437624-3                                  | PKES90B1/4  | 1.01(25.7) | .889(22.6) | .846(21.5) | .079(2.01) | .421(10.7) | .570(14.5) |
| 4-1437624-6                                  | PKES120B1/4 | 1.30(32.9) | 1.16(29.5) | 1.02(25.9) | .118(3.00) | .500(12.7) | .628(16.0) |
| 4-1437624-7                                  | PKES140B1/4 | 1.50(38.1) | 1.37(34.9) | 1.22(30.9) | .118(3.00) | .540(13.7) | .693(17.6) |
| 4-1437624-8                                  | PKES150B1/4 | 1.77(44.9) | 1.55(39.4) | 1.41(35.9) | .118(3.00) | .733(18.6) | .831(21.1) |

**Knobs, Molded Phenolic**

**PKF SERIES**



PKF50B1/8



| Tyco Plain Quadrate with Indicator Line & Arrow |            |            |             |             |            |
|---|------------|------------|-------------|-------------|------------|
| Electronics                                     | Alcoswitch | A          | B           | C           | D          |
| 5-1437624-5                                     | PKF50B1/8  | .670(17.0) | .454(11.53) | .570(14.48) | .520(13.2) |

**PKG SERIES**



PKG40B1/8

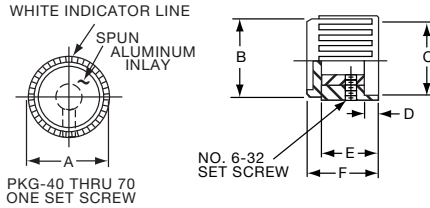


| Tyco Ribbed with Indicator Line |            |            |            |            |            |             |            |
|---------------------------------|------------|------------|------------|------------|------------|-------------|------------|
| Electronics                     | Alcoswitch | A          | B          | C          | D          | E           | F          |
| 5-1437624-9                     | *PKG40B1/8 | .437(11.1) | .410(10.4) | .304(7.72) | .079(2.00) | .385(9.78)  | .472(12.0) |
| 6-1437624-1                     | PKG50B1/8  | .551(14.0) | .500(12.7) | .442(10.7) | .056(1.42) | .395(10.03) | .512(13.0) |
| 6-1437624-0                     | PKG50B1/4  | .551(14.0) | .500(12.7) | .442(10.7) | .056(1.42) | .395(10.03) | .512(13.0) |

\*Note: Knob uses #4-40 set screw

**Knobs, Molded Phenolic**

**PKG SERIES**



PKG70B1/8

| Tyco        |            | Ribbed with Indicator Line |            |            |            |            |            |
|-------------|------------|----------------------------|------------|------------|------------|------------|------------|
| Electronics | Alcoswitch | A                          | B          | C          | D          | E          | F          |
| 6-1437624-6 | PKG60B1/8  | .660(16.8)                 | .615(15.6) | .551(14.0) | .080(2.03) | .430(10.9) | .551(14.0) |
| 6-1437624-5 | PKG60B1/4  | .660(16.8)                 | .615(15.6) | .551(14.0) | .080(2.03) | .430(10.9) | .551(14.0) |
| 6-1437624-8 | PKG70B1/8  | .740(18.8)                 | .698(17.7) | .591(15.0) | .080(2.03) | .453(11.5) | .559(14.2) |
| 6-1437624-7 | PKG70B1/4  | .740(18.8)                 | .698(17.7) | .591(15.0) | .080(2.03) | .453(11.5) | .559(14.2) |

**PKG SERIES**



PKG90B1/4

| Tyco        |            | Ribbed with Indicator Line |            |            |            |            |             |
|-------------|------------|----------------------------|------------|------------|------------|------------|-------------|
| Electronics | Alcoswitch | A                          | B          | C          | D          | E          | F           |
| 7-1437624-0 | PKG90B1/8  | .862(21.9)                 | .811(20.6) | .710(18.0) | .080(2.03) | .450(11.4) | .550(13.97) |
| 6-1437624-9 | PKG90B1/4  | .862(21.9)                 | .811(20.6) | .710(18.0) | .080(2.03) | .450(11.4) | .550(13.97) |
| 5-1437624-7 | PKG100B1/4 | 1.055(26.80)               | 1.01(25.5) | .920(23.4) | .080(2.03) | .430(10.9) | .555(14.1)  |
| 5-1437624-8 | PKG125B1/4 | 1.248(31.70)               | 1.20(30.4) | .690(17.5) | .080(2.03) | .430(10.9) | .565(14.4)  |

**PKGP SERIES**



PKGP70B1/4

| Tyco        |             | Ribbed with Bar Pointers and Indicator Line |            |            |            |            |            |
|-------------|-------------|---|------------|------------|------------|------------|------------|
| Electronics | Alcoswitch  | A   | B          | C          | D          | E          | F          |
| 7-1437624-2 | PKGP70B1/4  | .740(18.8)                                  | .700(17.8) | .590(15.0) | .990(25.2) | .080(2.03) | .460(11.7) |
| 7-1437624-3 | PKGP90B1/4  | .860(21.8)                                  | .810(20.6) | .700(17.8) | 1.28(32.5) | .080(2.03) | .460(11.7) |
| 7-1437624-1 | PKGP100B1/4 | 1.05(26.2)                                  | 1.00(25.4) | .900(22.9) | 1.62(41.2) | .080(2.03) | .480(12.2) |

**PKJ SERIES**



PKJ50B1/8

| Tyco        |            | Straight Knurl with Bar Pointers and Indicator Line |            |            |            |            |           |
|-------------|------------|---|------------|------------|------------|------------|-----------|
| Electronics | Alcoswitch | A   | B          | C          | D          | E          | F         |
| 7-1437624-5 | PKJ50B1/8  | .500(12.7)  | .512(13.0) | .420(10.7) | .577(14.7) | .429(10.9) | .113(2.9) |
| 7-1437624-4 | *PKJ50B1/4 | .500(12.7)  | .512(13.0) | .420(10.7) | .577(14.7) | .429(10.9) | .113(2.9) |
| 7-1437624-6 | PKJ60B1/4  | .630(16.0)  | .530(13.5) | .468(11.9) | .758(19.3) | .440(11.2) | .110(2.8) |
| 7-1437624-7 | PKJ70B1/4  | .760(19.3)  | .555(14.1) | .545(13.8) | .915(23.2) | .450(11.4) | .118(3.0) |



PKJ70B1/4

**Knobs, Molded Phenolic**

**PKJT SERIES**



PKJT50B1/4



PKJT70B1/4



| Straight Knurl with Bar Pointer & Indicator Line and Aluminum Spin Cap |             |            |            |            |            |            |            |
|--|-------------|------------|------------|------------|------------|------------|------------|
| Tyco   |             |            |            |            |            |            |            |
| Electronics  | Alcoswitch  | A          | B          | C          | D          | E          | F          |
| 7-1437624-9  | PKJT50B1/8  | .515(13.1) | .585(14.9) | .350(8.89) | .595(15.1) | .414(10.5) | .130(3.30) |
| 7-1437624-8  | *PKJT50B1/4 | .515(13.1) | .585(14.9) | .350(8.89) | .595(15.1) | .414(10.5) | .130(3.30) |
| 8-1437624-0  | PKJT60B1/4  | .640(16.3) | .605(15.4) | .470(11.9) | .760(19.3) | .445(11.3) | .118(3.00) |
| 8-1437624-1  | PKJT70B1/4  | .760(19.3) | .625(15.9) | .550(14.0) | .915(23.2) | .445(11.3) | .118(3.00) |

\*Knob uses #4-40 set screw.

**PKNT SERIES**



PKNT60B1/4



| Black Spin Cap with "Diamond Cut" Less Indicator |            |            |            |            |            |            |            |
|--|------------|------------|------------|------------|------------|------------|------------|
| Tyco   |            |            |            |            |            |            |            |
| Electronics                                      | Alcoswitch | A          | B          | C          | D          | E          | F          |
| 8-1437624-6                                      | PKNT60B1/8 | .591(15.0) | .579(14.7) | .394(10.0) | .079(2.01) | .394(10.0) | .472(11.9) |
| 8-1437624-5                                      | PKNT60B1/4 | .591(15.0) | .579(14.7) | .394(10.0) | .079(2.01) | .394(10.0) | .472(11.9) |
| 8-1437624-7                                      | PKNT70B1/4 | .787(19.9) | .764(19.4) | .571(14.5) | .098(2.49) | .492(12.5) | .591(14.7) |
| 8-1437624-8                                      | PKNT90B1/4 | .984(25.0) | .957(24.3) | .748(19.0) | .098(2.49) | .591(15.0) | .689(17.5) |

**PKN SERIES**



PKN60B1/8



| Line Indicator on Natural Aluminum Spin Cap |            |            |            |            |            |            |            |
|---|------------|------------|------------|------------|------------|------------|------------|
| Tyco  |            |            |            |            |            |            |            |
| Electronics                                 | Alcoswitch | A          | B          | C          | D          | E          | F          |
| 8-1437624-2                                 | PKN60B1/8  | .591(15.0) | .579(14.7) | .394(10.0) | .079(2.01) | .394(10.0) | .453(11.5) |
|   | PKN60B1/4  | .591(15.0) | .579(14.7) | .394(10.0) | .079(2.01) | .394(10.0) | .453(11.5) |
| 8-1437624-3                                 | PKN70B1/4  | .787(20.0) | .764(19.4) | .571(14.5) | .098(2.49) | .492(12.5) | .591(15.0) |
| 8-1437624-4                                 | PKN90B1/4  | .984(25.0) | .957(24.3) | .748(19.0) | .098(2.49) | .591(15.0) | .689(17.5) |

K

P Series

**Knobs, Molded Phenolic**

PKS SERIES



PKS1104B1/4

|                  |             | Straight Knurl with Indicator Line on Skirt |            |            |            |             |            |
|------------------|-------------|---|------------|------------|------------|-------------|------------|
| Tyco Electronics | Alcoswitch  | A   | B          | C          | D          | E           | F          |
| 9-1437624-5      | PKS1104B1/4 | 1.12(28.5)                                  | .567(14.4) | .620(15.8) | .090(2.29) | .510(12.95) | .670(17.0) |

PKS SERIES

|                  |               | Straight Knurl Aluminum Skirt Has Line or 0-9 Numbers |            |            |            |            |            |         |
|------------------|---------------|---|------------|------------|------------|------------|------------|---------|
| Tyco Electronics | Alcoswitch    | A   | B          | C          | D          | E          | F          | Marking |
| 9-1437624-4      | PKS1103B101/4 | 1.17(29.6)  | .571(14.5) | .620(15.7) | .098(2.49) | .516(13.1) | .670(17.0) | Numbers |
| 9-1437624-7      | PKS1106B1/4   | 1.17(29.6)  | .571(14.5) | .618(15.7) | .098(2.49) | .516(13.1) | .670(17.0) | Line    |
| 9-1437624-6      | PKS1105B101/4 | 1.17(29.6)  | .571(14.5) | .618(15.7) | .098(2.49) | .516(13.1) | .670(17.0) | Numbers |



PKS1106B1/4



PKS1103B101/4

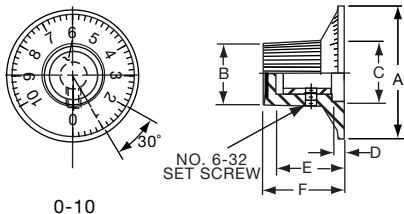


PKS1105B101/4



PKS SERIES

SPUN ALUMINUM INLAY



0-10



+5-5



0-9



Indicator Line



PKS1132B51/4

|                  |               | Choice of Indicator Line or 0-9, 0-10, -5+5 Numerals |            |            |            |             |            |                |
|------------------|---------------|--|------------|------------|------------|-------------|------------|----------------|
| Tyco Electronics | Alcoswitch    | A  | B          | C          | D          | E           | F          | Marking        |
| 1437625-1        | PKS1132B51/4  | 1.18(30.0)   | .551(14.0) | .551(14.0) | .118(30.0) | .615(15.62) | .748(19.0) | +5-0-5         |
| 1437625-2        | PKS1132B91/4  | 1.18(30.0)   | .551(14.0) | .551(14.0) | .118(30.0) | .615(15.62) | .748(19.0) | 0-9            |
| 9-1437624-9      | PKS1132B101/4 | 1.18(30.0)   | .551(14.0) | .551(14.0) | .118(30.0) | .615(15.62) | .748(19.0) | 0-10           |
| 9-1437624-8      | *PKS1132B1/4  | 1.18(30.0)   | .551(14.0) | .551(14.0) | .118(30.0) | .615(15.62) | .748(19.0) | Indicator Line |

\*1 Set screw 180° from indicator line.



PKS1132B91/4

**K**  
P Series



**Knobs, Molded Phenolic**

**PKS SERIES**



PKS90B1/4



PKS90B101/4



| Tyco Straight Knurl with Aluminum Skirt Choice of Arrow or 1-10 Numbers |             |            |            |            |            |            |            |         |  |
|---|-------------|------------|------------|------------|------------|------------|------------|---------|--|
| Electronics   | Alcoswitch  | A          | B          | C          | D          | E          | F          | Marking |  |
| 1437625-5   | PKS90B1/4   | 1.42(36.1) | .917(23.3) | .780(19.8) | .065(1.65) | .490(12.5) | .596(15.1) | Arrow   |  |
| 1437625-6   | PKS90B101/4 | 1.42(36.1) | .917(23.3) | .780(19.8) | .065(1.65) | .490(12.5) | .596(15.1) | Numbers |  |

**PKX SERIES**



PKX50B1/8



(1) 6-32 SET SCREW EXCEPT PKX-50B, (1) 4-40

| Tyco Ribbed Body, Matte Finish with White Square Indicator on Top |            |            |            |            |            |             |            |
|---|------------|------------|------------|------------|------------|-------------|------------|
| Electronics   | Alcoswitch | A          | B          | C          | D          | E           | F          |
| 1-1437625-5   | PKX50B1/8  | .590(15.0) | .472(12.0) | .374(9.49) | .059(1.50) | .463(11.76) | .551(14.0) |
| 1-1437625-4   | PKX50B1/4  | .590(15.0) | .472(12.0) | .374(9.49) | .059(1.50) | .463(11.76) | .551(14.0) |
| 1-1437625-7   | PKX60B1/8  | .787(20.0) | .625(15.9) | .472(12.0) | .078(1.98) | .510(13.0)  | .598(15.2) |
| 1-1437625-6   | PKX60B1/4  | .787(20.0) | .625(15.9) | .472(12.0) | .078(1.98) | .510(13.0)  | .598(15.2) |

**PKX SERIES**



PKX110B1/4



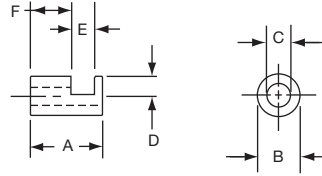
| Tyco Ribbed Body, Matte Finish with White Square Indicator on Top |            |            |              |             |            |             |             |
|---|------------|------------|--------------|-------------|------------|-------------|-------------|
| Electronics   | Alcoswitch | A          | B            | C           | D          | E           | F           |
| 1-1437625-1   | PKX100B1/4 | 1.17(29.7) | .970(24.6)   | .780(19.81) | .114(2.90) | .570(14.48) | .674(17.12) |
| 1-1437625-2   | PKX110B1/4 | 1.37(34.8) | 1.120(28.45) | .940(23.88) | .100(2.54) | .527(13.38) | .705(17.91) |
| 1-1437625-3   | PKX130B1/4 | 1.57(40.0) | 1.308(33.22) | 1.09(27.6)  | .118(3.00) | .623(15.82) | .750(19.05) |

K

P Series

**Knob Accessories**

ACCESSORIES



KR1

| Tyco        |                   | Shaft Hole Size Adaptors |            |            |            |            |            |
|-------------|-------------------|--------------------------|------------|------------|------------|------------|------------|
| Electronics | Alcoswitch        | A                        | B          | C          | D          | E          | F          |
| 9-1437627-6 | KR1 (1/4"TO1/8")  | .374(9.50)               | .250(6.35) | .128(3.25) | .122(3.10) | .217(5.51) | .122(3.10) |
| 9-1437627-7 | KR2 (1/4"TO3/16") | .375(9.53)               | .250(6.35) | .190(4.83) | .122(3.10) | .216(5.49) | .123(3.12) |
| 9-1437627-8 | KR3 (1/4"TO4MM)   | .375(9.53)               | .248(6.30) | .161(4.09) | .122(3.10) | .216(5.49) | .123(3.12) |

Компания «Life Electronics» занимается поставками электронных компонентов импортного и отечественного производства от производителей и со складов крупных дистрибьюторов Европы, Америки и Азии.

С конца 2013 года компания активно расширяет линейку поставок компонентов по направлению коаксиальный кабель, кварцевые генераторы и конденсаторы (керамические, пленочные, электролитические), за счёт заключения дистрибьюторских договоров

Мы предлагаем:

- Конкурентоспособные цены и скидки постоянным клиентам.
- Специальные условия для постоянных клиентов.
- Подбор аналогов.
- Поставку компонентов в любых объемах, удовлетворяющих вашим потребностям.
- Приемлемые сроки поставки, возможна ускоренная поставка.
- Доставку товара в любую точку России и стран СНГ.
- Комплексную поставку.
- Работу по проектам и поставку образцов.
- Формирование склада под заказчика.
- Сертификаты соответствия на поставляемую продукцию (по желанию клиента).
- Тестирование поставляемой продукции.
- Поставку компонентов, требующих военную и космическую приемку.
- Входной контроль качества.
- Наличие сертификата ISO.

В составе нашей компании организован Конструкторский отдел, призванный помогать разработчикам, и инженерам.

Конструкторский отдел помогает осуществить:

- Регистрацию проекта у производителя компонентов.
- Техническую поддержку проекта.
- Защиту от снятия компонента с производства.
- Оценку стоимости проекта по компонентам.
- Изготовление тестовой платы монтаж и пусконаладочные работы.



Тел: +7 (812) 336 43 04 (многоканальный)  
Email: [org@lifeelectronics.ru](mailto:org@lifeelectronics.ru)