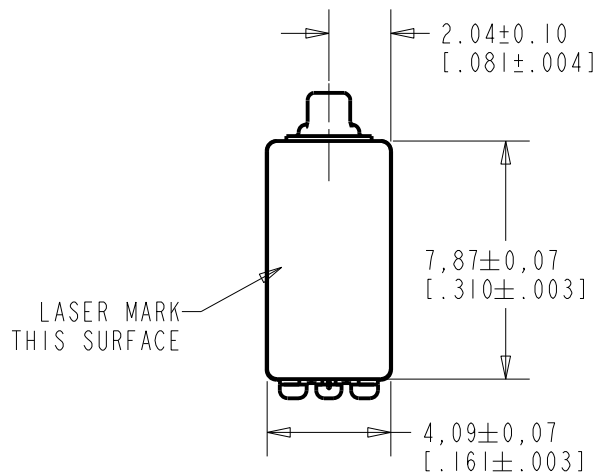


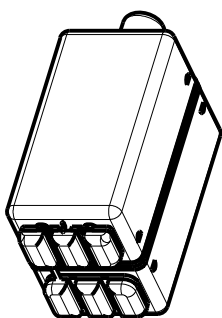
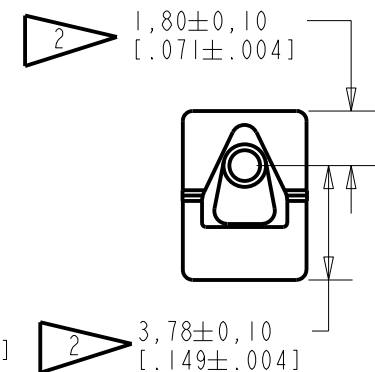
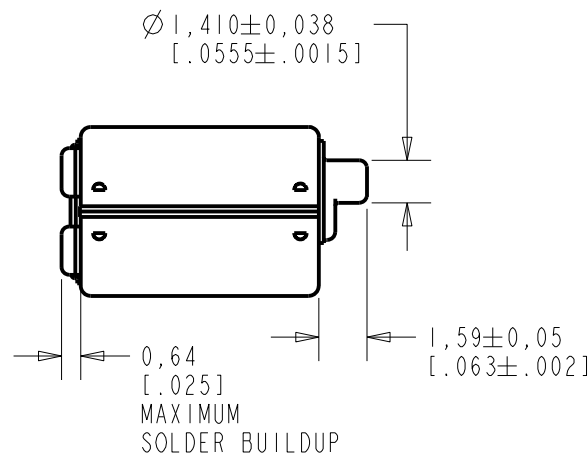
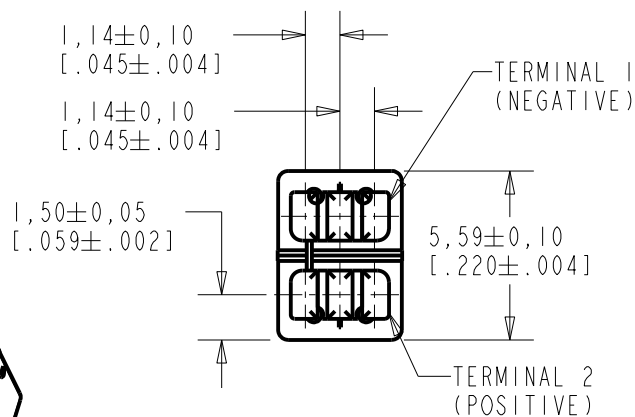
DTEC-31116-000
SHT 1.1



NOTES:

1. A POSITIVE GOING VOLTAGE AT TERMINAL 2, RELATIVE TO TERMINAL 1, CAUSES A DECREASE IN PRESSURE AT THE SOUND OUTLET.

2. LOCATED FROM TWO SURFACES FOR CUSTOMER CONVENIENCE. ONLY APPLICABLE FROM ONE SURFACE, NOT TO BE USED TOGETHER. HORIZONTAL LOCATION FOR TERMINAL CENTERED TO ±0.17 [.007].



RED CONTROLLED

NOMINAL WEIGHT
.71 GRAMS

DIMENSIONS IN MILLIMETERS [INCHES]

Revision	C.O. #	Implementation Date	RELEASE LEVEL	REVISION
A	C10111188	4-6-10	Active	A

SCALE:	4:1	DR. BY	DATE
DO NOT SCALE DRAWING		SDZ	4-6-10
TITLE:	RECEIVER	CK. BY	DATE
	OUTLINE DRAWING	GJP	4-6-10
		APP. BY	DATE
		GJP	4-6-10

KNOWLES ELECTRONICS
ITASCA, ILLINOIS U.S.A.

DTEC-31116-000
SHT 1.1

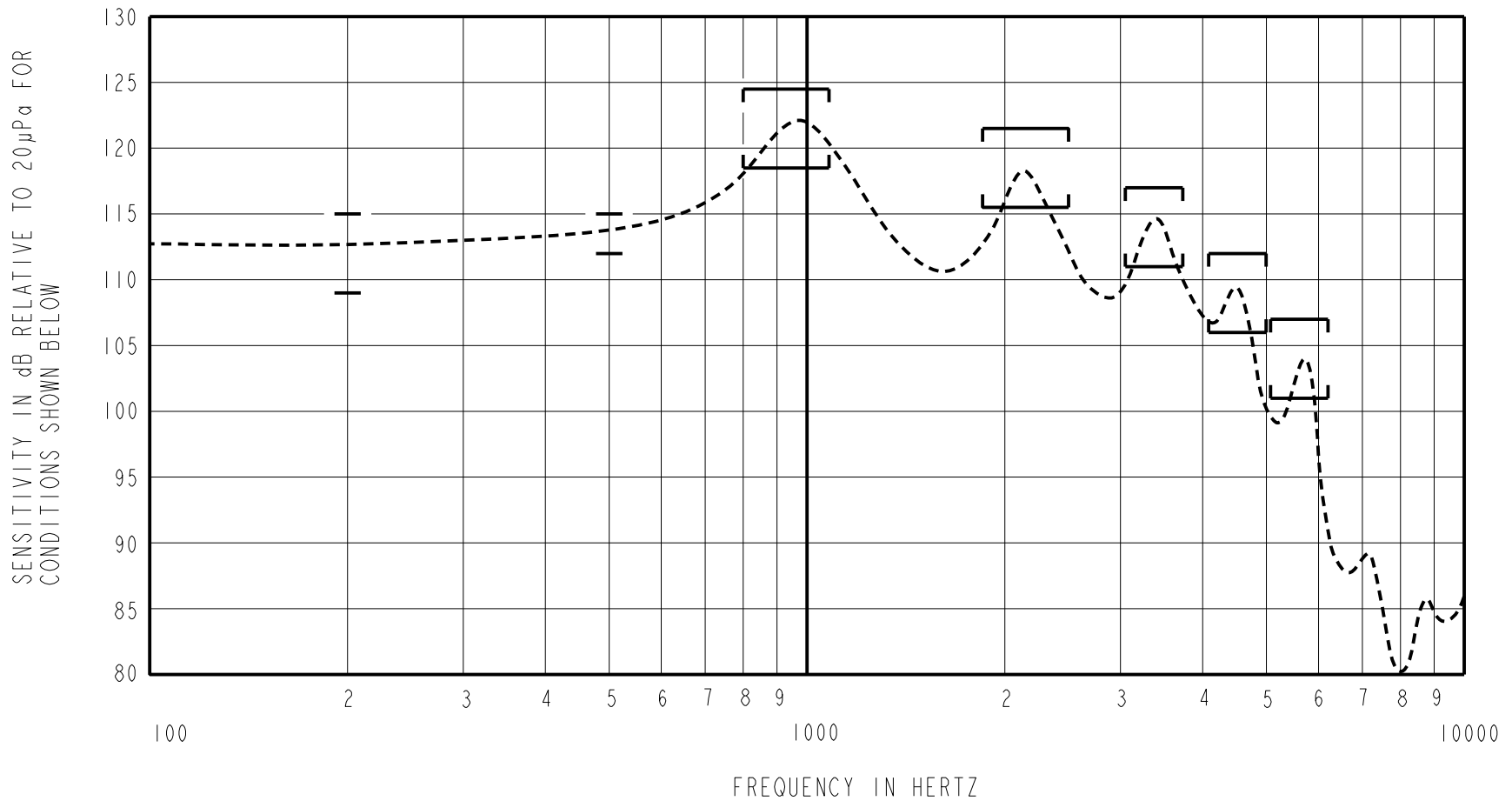
THE DTEC-31116-000 IS A PAIR OF BALANCED ARMATURE RECEIVERS INTENDED FOR USE IN BTE HEARING AIDS. IT HAS A LOW DCR TO IMPEDANCE RATIO, HAS THE CENTER TERMINAL CONNECTED TO CASE AND IS THE SAME SIZE AS AN EF RECEIVER

NO DAMPING

DTEC-31116-000
SHEET 2.1

NOTE: SPECIFICATIONS FOLLOWED BY AN ASTERISK (*) ARE 100% TESTED.

CONSTANT VOLTAGE DRIVE CONDITIONS



ACOUSTICAL

SENSITIVITY*
DEVICE WILL PRODUCE THE SPL LISTED BELOW UNDER TEST CONDITIONS DESCRIBED IN TABLE 3. NOMINAL SENSITIVITY AT 500 Hz IS dB RELATIVE TO 20µPa. ALL OTHER VALUES IN dB RELATIVE TO THE SENSITIVITY AT 500 Hz.

FREQUENCY (Hz)	MINIMUM	NOMINAL	MAXIMUM
200	-4.5	-1.5	+1.5
500	-1.5	113.5	+1.5
800-1080	+5.0	+8.0	+11.0
1850-2500	+2.0	+5.0	+8.0
3050-3730	-2.5	+0.5	+3.5
4085-4995	-7.5	-4.5	-1.5
5075-6205	-14.0	-11.0	-8.0

TABLE 1

TOTAL HARMONIC DISTORTION*
DEVICE WILL NOT EXCEED TOTAL HARMONIC DISTORTION LEVELS LISTED BELOW.

FREQUENCY (Hz)	AC DRIVE (V rms)	DC BIAS (mA)	LIMIT (%)
315	0.164	0	5
470	0.164	0	5
470	0.328	0	10

TABLE 2

TEST CONDITIONS

NOMINAL SOURCE VOLTAGE	0.164 V rms, TO DELIVER 0.70 mVA AT 500 Hz
SOURCE IMPEDANCE	<1 Ohm
TUBING	8mm X 1mm ID + 28mm X 1.5mm ID EAR HOOK SIMULATOR + 25mm X 2mm ID TUBE + 18mm X 3mm ID TUBE
COUPLER CAVITY	2 cm ³ , SIMULATED ANSI S3.7 TYPE HA-3 (IEC 60318-5)

TABLE 3

ELECTRICAL

DC RESISTANCE	22 OHMS ± 10% *
IMPEDANCE @ 500 Hz	38 OHMS ± 15% *
INDUCTANCE @ 500 Hz	16 mH TYPICAL
CAPACITANCE @ 10 MHz	2 pF TYPICAL

TABLE 4

ISOLATION: CASE WILL BE ELECTRICALLY ISOLATED FROM THE COIL CIRCUIT.*

MECHANICAL

PORT LOCATION: 12C

SOLDER TYPE: SAC305

TEMPERATURE

OPERATING: SENSITIVITY WILL NOT VARY MORE THAN +1/-3 dB FROM -17°C TO 63°C
STORAGE: -40°C TO 63°C

RED CONTROLLED

KNOWLES ELECTRONICS
ITASCA, ILLINOIS U.S.A.



Revision	C.O. #	Implementation Date	RELEASE LEVEL	REVISION
A	C10111188	4-6-10	Active	A
WHEN TEST LIMITS ARE USED TO ESTABLISH INCOMING INSPECTION ACCEPTANCE/REJECTION CRITERIA, CORRELATION OF TEST EQUIPMENT WITH KNOWLES IS ALSO REQUIRED FOR ELIMINATION OF EQUIPMENT AND TEST METHOD VARIATION			DR. BY	DATE
TITLE: RECEIVER PERFORMANCE SPECIFICATION			SDZ	4-6-10
			DTEC-31116-000	
SHT 2.1			CK. BY	DATE
			GJP	4-6-10
			APP. BY	DATE
			GJP	4-6-10

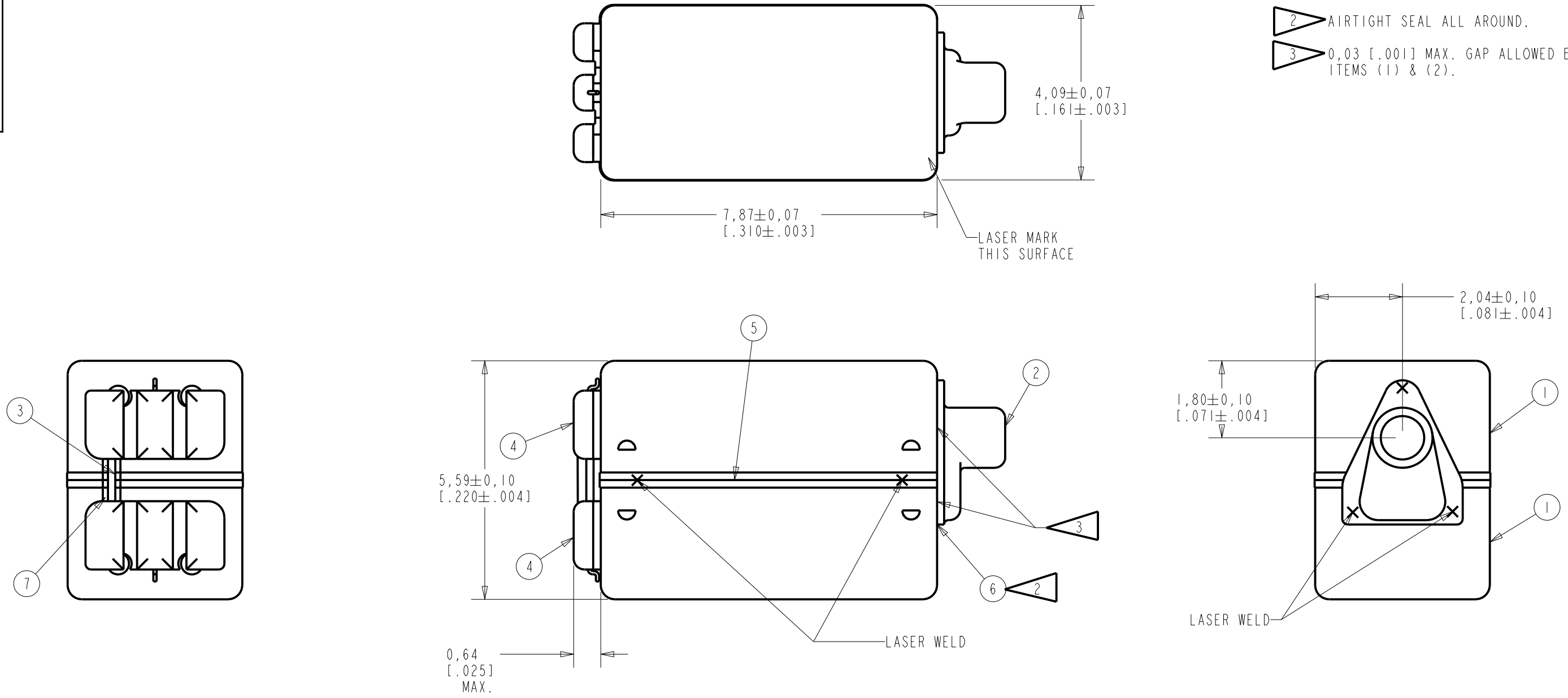
DTEC-31116-000

PROPRIETARY NOTE: THIS DOCUMENT CONTAINS INFORMATION WHICH IS THE PROPRIETARY PROPERTY OF KNOWLES ELECTRONICS, LLC. OR ITS AFFILIATED ENTITIES. IT IS ISSUED IN STRICT CONFIDENCE AND SHALL NOT BE REPRODUCED, COPIED, USED, OR DISCLOSED TO ANY THIRD PARTY PARTIALLY OR WHOLLY IN ANY MANNER WITHOUT PRIOR WRITTEN PERMISSION OF, AND MUST BE RETURNED UPON REQUEST BY, KNOWLES ELECTRONICS, LLC.

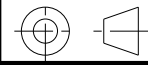
NOTES:

1. ITEM NUMBERS (SHOWN THUS ) CORRESPOND TO ITEM NUMBER ON BILL OF MATERIAL.

-  2 AIRTIGHT SEAL ALL AROUND.
-  3 0,03 [.001] MAX. GAP ALLOWED BETWEEN ITEMS (1) & (2).



DIMENSIONS IN MILLIMETERS [INCHES]

MATERIAL SEE BILL OF MATERIAL		FINISH - - -	SCALE: 10:1	DO NOT SCALE DRAWING
REF. NONE	A C1011188	RED CONTROLLED	KNOWLES ELECTRONICS ITASCA, ILLINOIS U.S.A.	
A c.o.				
UNLESS OTHERWISE SPECIFIED, DIMENSIONS ARE IN INCHES		THIRD ANGLE PROJECTION 	TITLE RECEIVER DUAL	DR. BY SDZ DATE 4-6-10
			DTEC-31116-000	CH. BY GJP DATE 4-6-10
			SHEET 3.1	APP. BY GJP DATE 4-6-10
				RELEASE LEVEL Active
				REVISION A

DTEC-31116-000		KNOWLES ELECTRONICS		DTEC-31116-000	
Sheet 4.1		ITASCA, ILLINOIS U.S.A.		Sheet 4.1	
Dr.	By SDZ	Date 4-6-10	RECEIVER DUAL	Revision	
Ch.	GJP	4-6-10		A	
App.	GJP	4-6-10		Release Level	
				Active	
COL. 1		2	3	4	
Part or Dwg. no.		Tot. Req.	Nomenclature:	Applicable Specs or Remarks	Item No. Line No.
TEC-31118-000		2	RECEIVER ASSEMBLY		1 1
BI-013		1	TUBE		2 2
103-074		A/R	WIRE		3 3
285-007-001		A/R	SOLDER LEAD FREE		4 4
13-092-130101		A/R	CEMENT		5 5
13-092-130111E		A/R	CEMENT		6 6
13-092-130109		A/R	CEMENT		7 7



REVISION
 A c.o. C1011188

RED CONTROLLED

DTEC-31116-000
 Sheet 4.1

PROPRIETARY NOTE: THIS DOCUMENT CONTAINS INFORMATION WHICH IS THE PROPRIETARY PROPERTY OF KNOWLES ELECTRONICS, LLC. OR ITS AFFILIATED ENTITIES. IT IS ISSUED IN STRICT CONFIDENCE AND SHALL NOT BE REPRODUCED, COPIED, USED, OR DISCLOSED TO ANY THIRD PARTY PARTIALLY OR WHOLLY IN ANY MANNER WITHOUT PRIOR WRITTEN PERMISSION OF, AND MUST BE RETURNED UPON REQUEST BY, KNOWLES ELECTRONICS, LLC.

REF: 0

PRODUCTION TEST INFORMATION

SOFTWARE REVISION PXI FCART	SOFTWARE 1.73 MIN.
HARDWARE REVISION PXI FCART	KE 1065C.008G MIN.

RED CONTROLLED

Revision	C.O. #	Implementation Date	RELEASE LEVEL	REVISION
A	C10111188	4-6-10	Active	A

WHEN TEST LIMITS ARE USED TO ESTABLISH INCOMING INSPECTION ACCEPTANCE/REJECTION CRITERIA, CORRELATION OF TEST EQUIPMENT WITH KNOWLES IS ALSO REQUIRED FOR ELIMINATION OF EQUIPMENT AND TEST METHOD VARIATION	DR. BY	DATE
	SDZ	4-6-10
	CK. BY	DATE
	GJP	4-6-10
TITLE:	RECEIVER	DTEC-31116-000
	PERFORMANCE SPECIFICATION	SHT 5.1
		APP. BY
		DATE
		GJP
		4-6-10

KNOWLES ELECTRONICS
ITASCA, ILLINOIS U.S.A.

Компания «Life Electronics» занимается поставками электронных компонентов импортного и отечественного производства от производителей и со складов крупных дистрибьюторов Европы, Америки и Азии.

С конца 2013 года компания активно расширяет линейку поставок компонентов по направлению коаксиальный кабель, кварцевые генераторы и конденсаторы (керамические, пленочные, электролитические), за счёт заключения дистрибьюторских договоров

Мы предлагаем:

- Конкурентоспособные цены и скидки постоянным клиентам.
- Специальные условия для постоянных клиентов.
- Подбор аналогов.
- Поставку компонентов в любых объемах, удовлетворяющих вашим потребностям.
- Приемлемые сроки поставки, возможна ускоренная поставка.
- Доставку товара в любую точку России и стран СНГ.
- Комплексную поставку.
- Работу по проектам и поставку образцов.
- Формирование склада под заказчика.
- Сертификаты соответствия на поставляемую продукцию (по желанию клиента).
- Тестирование поставляемой продукции.
- Поставку компонентов, требующих военную и космическую приемку.
- Входной контроль качества.
- Наличие сертификата ISO.

В составе нашей компании организован Конструкторский отдел, призванный помогать разработчикам, и инженерам.

Конструкторский отдел помогает осуществить:

- Регистрацию проекта у производителя компонентов.
- Техническую поддержку проекта.
- Защиту от снятия компонента с производства.
- Оценку стоимости проекта по компонентам.
- Изготовление тестовой платы монтаж и пусконаладочные работы.



Тел: +7 (812) 336 43 04 (многоканальный)

Email: org@lifeelectronics.ru

www.lifeelectronics.ru