

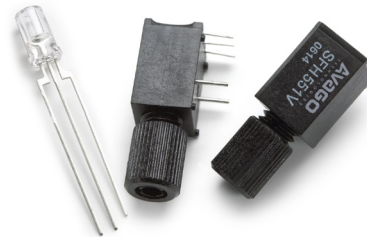
SFH551/1-1

SFH551/1-1V

Integrated Photo Detector Receiver for Plastic Fiber
Plastic Connector Housing



Data Sheet



Description

The SFH551/1V is a transimpedance amplifier with digital TTL open collector output stage and integrated photodiode. The active area of the detector in connection with the molded microlens gives an efficient coupling from the end of a plastic fiber.

The receiver is fully DC coupled and therefore no line code is needed.

The SFH551/1V includes a Schmitt trigger function to provide stable output states over the whole dynamic range. For optical input power levels above $6 \mu\text{W}$ typically the electrical output will be logical "low" and vice versa. With noise free Vcc and GND no undefined output signal is possible. SFH551/1 must not be used without shielding the ambient light, because ambient light causes malfunction when reaching the threshold level, noise or complete switching the output. Interference free transmission is possible by using the SFH551/1V with the black plastic connector housing.

Ordering Information

Type	Ordering Code
SFH551/1-1	SP000063860
SFH551/1-1V	SP000063855

Features

- Bipolar IC with open-collector output
- Digital output, TTL compatible
- Sensitive in visible and near IR range
- Low switching threshold
- Transfer rate $\leq 5 \text{ Mbit/s}$
- 2.2 mm aperture holds standard 1000 micron plastic fiber
- No fiber stripping required
- Molded microlens for efficient coupling

Plastic Connector Housing

- Mounting screw attached to the connector
- Interference-free transmission from light-tight housing
- Transmitter and receiver can be flexibly positioned
- No cross talk
- Auto insertable and wave solderable
- Supplied in tubes

Applications

- Household electronics
- Power electronics
- Optical networks

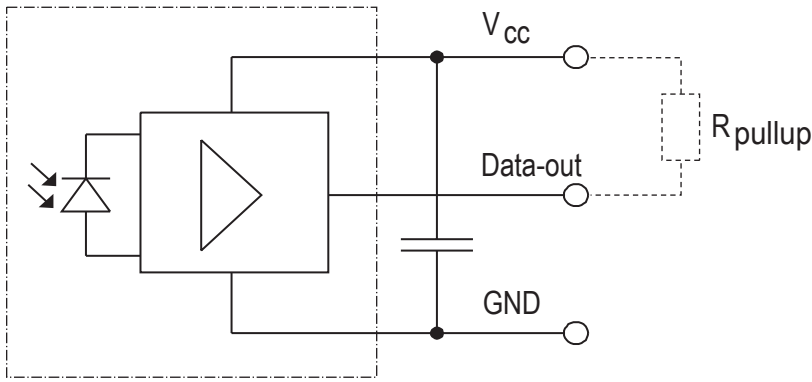


Figure 1. Block Diagram

A bypass capacitor (100 nF) near the device (distance ≤ 3 cm) is necessary between ground and V_{CC} . In critical applications the distance may be shorter.

Technical Data

Absolute Maximum Ratings

Parameter	Symbol	Limit Values		Unit
		min.	max.	
Operating Temperature Range	T_{OP}	-40	+85	$^{\circ}C$
Storage Temperature Range	T_{STG}	-40	+100	$^{\circ}C$
Soldering Temperature(2mm from case bottom, $t \leq 5$ s)	T_S		260	$^{\circ}C$
Supply Voltage Range without Damage	V_{CC}	-0.5	15	V
Recommended and Guaranteed Maximum Voltage			5.5	V
Minimum Supply Voltage for Function	V_{CCmin}	4		V
Minimum Pull-up Resistance($V_{CC} = 5$ V)	R_{outmin}	330		Ω
Output Voltage	V_O	-0.5	15	V
Output Current	I_O		50	mA
Power Dissipation (output)	P_O		100	mW

Characteristics ($T_A = 25^{\circ}C$, $V_{CC} = 4.75$ to 5.25 V)

Parameter	Symbol	Values			Unit
		min.	typ.	max.	
Maximum Photosensitivity Wavelength	λ_{Smax}		700		nm
Photosensitivity Spectral Range ($S = 80\% S_{max}$)	λ	600		780	nm
SFH551/1-1 OpticalThreshold Power ($\lambda = 660$ nm) for Output Low	Φ_{INth}		≥ 6 ≥ -22		μW dBm
Maximum Optical Power ($\lambda = 660$ nm)	Φ_{INL}		1000		μW
Maximum Value of tPLH at Maximum Power			0		dBm
Optical Power for Output High without Errors ($\lambda = 660$ nm)	Φ_{INH}		≤ 0.1 ≤ -40		μW dBm
Propagation Delay (optical input to electrical output, with fast optical pulse)	t_{PHL} t_{PLH}		< 100 < 250		ns
Current Consumption (without output current)	I_{CC}		4		mA

Disclaimer

The information herein is given to describe certain components and shall not be considered as a guarantee of characteristics.

Terms of delivery and rights to technical change reserved. We hereby disclaim any and all warranties, including but not limited to warranties of non-infringement, regarding circuits, descriptions and charts stated herein.

Warnings

Due to technical requirements components may contain dangerous substances. For information on the types in question please contact your nearest Avago Technologies Office.

Avago Technologies Components may only be used in life-support devices or systems with the express written approval of Avago Technologies, if a failure of such components can reasonably be expected to cause the failure of that life-support device or system, or to affect the safety or effectiveness of that device or system. Life support devices or systems are intended to be implanted in the human body, or to support and/or maintain and sustain and/or protect human life. If they fail, it is reasonable to assume that the health of the user or other persons maybe endangered.

Information

For further information on technology, delivery terms and conditions and prices please contact your nearest Avago Technologies Office (www.avagotech.com).

For product information and a complete list of distributors, please go to our web site: www.avagotech.com

Avago, Avago Technologies, and the A logo are trademarks of Avago Technologies, Limited in the United States and other countries.
Data subject to change. Copyright © 2007 Avago Technologies Limited. All rights reserved.
AV01-0713EN - July 20, 2007

Avago
TECHNOLOGIES

Компания «Life Electronics» занимается поставками электронных компонентов импортного и отечественного производства от производителей и со складов крупных дистрибьюторов Европы, Америки и Азии.

С конца 2013 года компания активно расширяет линейку поставок компонентов по направлению коаксиальный кабель, кварцевые генераторы и конденсаторы (керамические, пленочные, электролитические), за счёт заключения дистрибьюторских договоров

Мы предлагаем:

- Конкурентоспособные цены и скидки постоянным клиентам.
- Специальные условия для постоянных клиентов.
- Подбор аналогов.
- Поставку компонентов в любых объемах, удовлетворяющих вашим потребностям.
- Приемлемые сроки поставки, возможна ускоренная поставка.
- Доставку товара в любую точку России и стран СНГ.
- Комплексную поставку.
- Работу по проектам и поставку образцов.
- Формирование склада под заказчика.
- Сертификаты соответствия на поставляемую продукцию (по желанию клиента).
- Тестирование поставляемой продукции.
- Поставку компонентов, требующих военную и космическую приемку.
- Входной контроль качества.
- Наличие сертификата ISO.

В составе нашей компании организован Конструкторский отдел, призванный помогать разработчикам, и инженерам.

Конструкторский отдел помогает осуществить:

- Регистрацию проекта у производителя компонентов.
- Техническую поддержку проекта.
- Защиту от снятия компонента с производства.
- Оценку стоимости проекта по компонентам.
- Изготовление тестовой платы монтаж и пусконаладочные работы.



Тел: +7 (812) 336 43 04 (многоканальный)

Email: org@lifeelectronics.ru