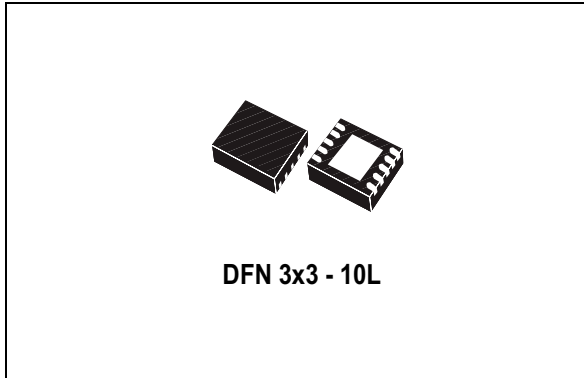


Electronic fuse for 3.3 V and 5 V lines

Datasheet - production data



Features

- Power MOSFET on-resistance (typ.): 40 mΩ
- Enable function
- Output clamp voltage (typ.): 5.7 V in 5 V mode, and 3.8 V in 3.3 V mode
- Undervoltage lockout
- Short-circuit limit
- Overload foldback current limit
- Controlled soft-start
- Thermal auto-retry
- Internal sensing FET
- Operative temp. range: - 40 °C to 85 °C
- Available in DFN 3x3 10L package

Description

The STEF4S is an integrated electronic fuse optimized for monitoring the output current and the input voltage. It can be connected in series to 3.3 V or 5 V rails, protecting the electronic circuitry on its output from overcurrent and overvoltage. The operating mode (5 V or 3.3 V) can be selected by a dedicated pin. The STEF4S has a controlled turn-on time, adjustable by an external capacitor. When an overload condition occurs the device limits the output current to a

predefined safe value. If the anomalous overload condition persists it goes into an open state, disconnecting the load from the power supply. If a continuous short-circuit is present on the board, the E-fuse limits the output current to a safe value.

In case of overvoltage on the input, the device clamps the output voltage to a predefined value and protects the load.

If the anomalous fault condition persists, the internal thermal protection circuit shuts down the device and then automatically attempts to re-supply the load until the fault condition is removed.

Unlike mechanical fuses, which must be physically replaced after a single event, the E-fuse does not degrade in its performance after short-circuit/thermal protection interventions.

Applications

- Hard disk drives
- Solid state drives (SSD)
- Hard disk and SSD arrays
- Set-top boxes
- DVD and blu-ray disc drivers

Table 1. Device summary

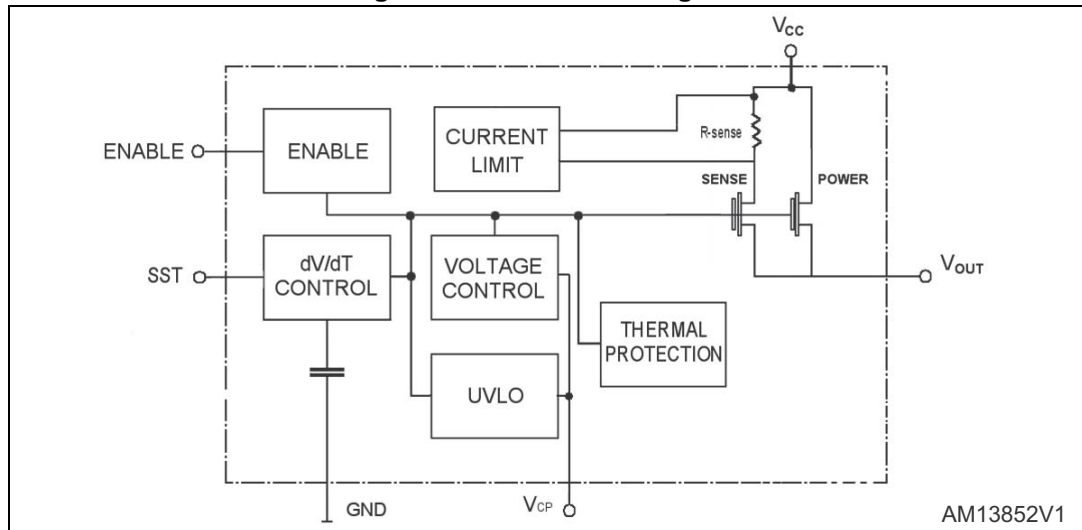
Order code	Package	Packing
STEF4SPUR	DFN 3x3 - 10L	Tape and reel

Contents

1	Block diagram	3
2	Pin configuration	4
3	Maximum ratings	5
4	Electrical characteristics	6
5	Typical characteristics	8
5.1	Operating modes	9
5.1.1	Turn-on	9
5.1.2	Normal operating condition	9
5.1.3	Output voltage clamp	9
5.1.4	Current limiting	9
5.1.5	Thermal shutdown and auto-retry function	9
5.2	Startup time and CSS calculation	9
5.3	UVLO and voltage clamp selection	10
5.4	Enable pin	10
6	Typical performance characteristics	11
7	Package information	14
7.1	DFN6 3x3 - 10L package information	15
7.2	DFN6 3x3 - 10L packing information	18
8	Revision history	21

1 Block diagram

Figure 1. Device block diagram



2 Pin configuration

Figure 2. Pin configuration (top view)

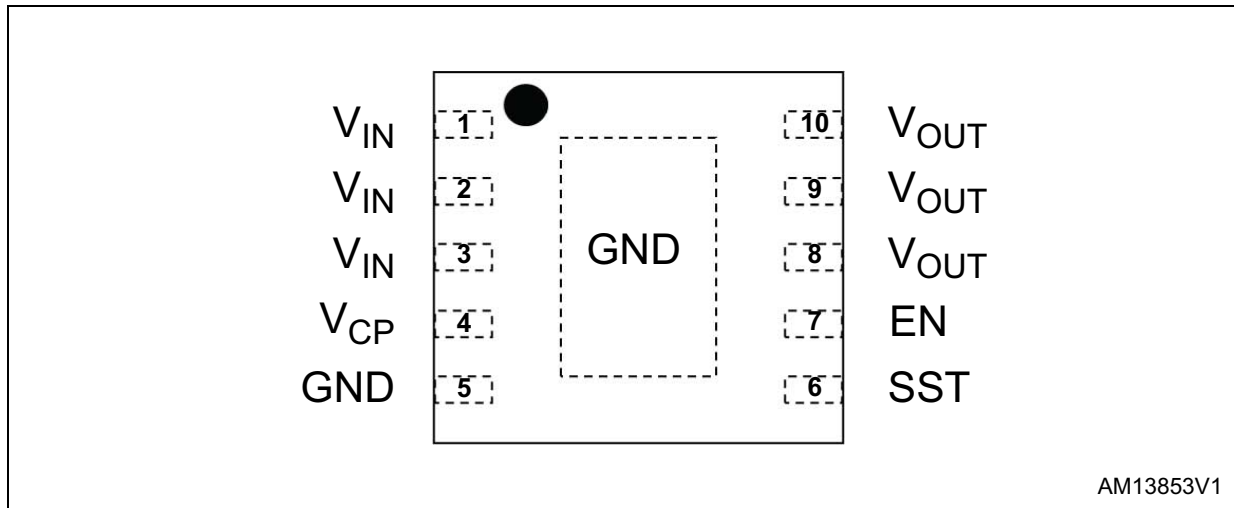


Table 2. Pin description

Pin n°	Symbol	Note
1, 2, 3	V_{IN}	Input supply voltage pin
4	V_{CP}	Voltage clamping and UVLO selection pin (high state 5 V, low state 3.3 V)
5	GND	Ground pin (can be left floating if TAB is connected to GND)
6	SST	Soft-start time selection pin. A capacitor can be connected between this pin and GND to increase the startup time
7	EN	Enable pin (active high)
8,9,10	V_{OUT}	Output voltage pin
EXP	GND	Exposed pad is internally connected to GND

3 Maximum ratings

Table 3. Absolute maximum ratings

Symbol	Parameter	Value	Unit
V_{IN}	Positive power supply voltage	-0.3 to 15	V
V_{OUT}	Output voltage	-0.3 to 7	V
V_{CP}	UVLO and voltage clamp selection pin	-0.3 to V_{IN}	V
EN	Enable pin	-0.3 to V_{IN}	V
SST	Soft-start time selection pin	-0.3 to 4.6	V
T_J	Max. junction temperature ⁽¹⁾	-40 to 125	°C
T_{STG}	Storage temperature range	-65 to 150	°C
T_{LEAD}	Lead temperature (soldering) 10 s	260	°C

1. The thermal limit is set above the maximum thermal rating. It is not recommended the device to operate at temperatures greater than the maximum ratings for extended periods of time.

Note: Absolute maximum ratings are those values beyond which damage to the device may occur. Functional operation under these conditions is not implied.

Table 4. Thermal data

Symbol	Parameter	Value	Unit
R_{thJA}	Thermal resistance junction-ambient	40	°C/W
R_{thJC}	Thermal resistance junction-case	2.5	°C/W

4 Electrical characteristics

Unless otherwise specified, typical values are referred to $V_{IN} = 5\text{ V}$ for $V_{CP} = V_{IN}$ and $V_{IN} = 3.3\text{ V}$ for $V_{CP} = \text{GND}$, $C_{IN} = C_{OUT} = 22\text{ }\mu\text{F}$, $T = 25\text{ }^\circ\text{C}$, min. and max. values are referred to $T = -40\text{ }^\circ\text{C}$ to $85\text{ }^\circ\text{C}$.

Table 5. STEF4S electrical characteristic

Symbol	Parameter	Test conditions	Min.	Typ.	Max.	Unit
V_{IN}	Operating input voltage				10	V
Under/overvoltage protection, 3.3 V mode						
V_{Clamp}	Output clamping voltage	$V_{IN} = 10\text{ V}$, $V_{CP} = \text{GND}$	3.6	3.8	4.0	V
V_{UVLO}	Under voltage lockout	$V_{CP} = \text{GND}$, Turn-on, voltage going up	2.2	2.3	2.4	V
V_{Hyst}	UVLO hysteresis	$V_{CP} = \text{GND}$	50	90	130	mV
Under/overvoltage protection, 5 V mode						
V_{Clamp}	Output clamping voltage	$V_{IN} = 10\text{ V}$, $V_{CP} = V_{IN}$	5.4	5.7	6.0	V
V_{UVLO}	Under voltage lockout	$V_{CP} = V_{IN}$, Turn-on, voltage going up	3.4	3.6	3.8	V
V_{Hyst}	UVLO hysteresis	$V_{CP} = V_{IN}$	60	105	150	mV
Power MOSFET						
$R_{DS(on)}$	ON-resistance $R_{DS(on)} = (V_{IN} - V_{OUT})/I_{OUT}$			40		m Ω
		$T_j = 85\text{ }^\circ\text{C}^{(1)}$			70	
Current limit						
I_{OL}	Protection trip current			5		A
I_{Lim}	Overload current limit		5	7	9	A
I_{Short}	Short-circuit current limit	$V_{OUT} = 0\text{ V}$		3		A
Soft-start circuit						
T_{SS}	Output voltage ramp time	From $V_{IN} = V_{UVLO}$ to $V_{OUT} = 90\%$, no C_{SS}		0.6		ms
		From $V_{IN} = V_{UVLO}$ to $V_{OUT} = 90\%$, $C_{SS} = 100\text{ nF}$	16	23	30	
Enable pin thresholds						
V_{EN-L}	Enable pin switch-off voltage	Output disabled			0.4	V
V_{EN-H}	Enable pin switch-on voltage	Output enabled	2			V
V_{CP} pin thresholds						
V_{CP-L}	3.3 V mode selection threshold	3.3 V mode enabled			0.4	V
V_{CP-H}	5 V mode selection threshold	5 V mode enabled	2			V
Total device						

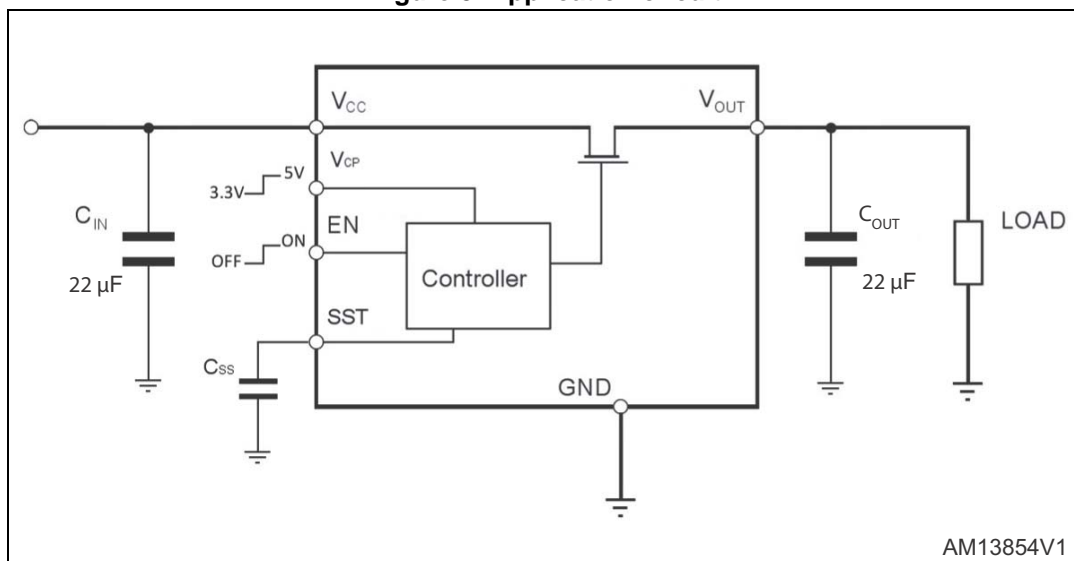
Table 5. STEF4S electrical characteristic (continued)

Symbol	Parameter	Test conditions	Min.	Typ.	Max.	Unit
I_{Bias}	Bias current	ON state, $V_{\text{EN}} = V_{\text{IN}} = 5 \text{ V}$		50	65	μA
		OFF state, $V_{\text{EN}} = \text{GND}$, $V_{\text{IN}} = 5 \text{ V}$		15		
V_{min}	Minimum operating voltage	Device is in OFF state ($V_{\text{OUT}} = 0$)	2			V
Thermal latch						
TSD	Shutdown temperature			140		$^{\circ}\text{C}$
	Hysteresis			20		

1. Guaranteed by design, not tested in production.

5 Typical characteristics

Figure 3. Application circuit



5.1 Operating modes

5.1.1 Turn-on

When the input voltage is applied and the EN pin is high, the output voltage is supplied with a slope defined by the internal dv/dt circuitry. If no additional capacitor is connected to C_{SS} pin, the total time from the enable signal going high and the output voltage reaching the nominal value is around 0.6 ms.

5.1.2 Normal operating condition

The STEF4S E-fuse behaves like a mechanical fuse, buffering the circuitry on its output with the same voltage shown at its input, apart from a small voltage fall due to the MOSFET R_{DS(on)}.

5.1.3 Output voltage clamp

The internal voltage clamp circuit clamps the output voltage to the V_{Clamp} values reported in [Table 5](#) if the input voltage exceeds the typical thresholds of 3.8 V in the 3.3 V mode and 5.7 V in the 5 V mode.

5.1.4 Current limiting

When an overload event occurs, the current limiting circuit reduces the conductivity of the power MOSFET, in order to clamp the input current at the pre-programmed value. The current limit circuit has a foldback characteristic to reduce the power dissipation over the power MOSFET in short-circuit condition.

5.1.5 Thermal shutdown and auto-retry function

If the device temperature exceeds the thermal shutdown threshold, typically 140 °C, the thermal shutdown circuitry turns the power MOSFET off and disconnects the load. Once the die temperature has decreased about 20 °C the device automatically attempts to apply again the power to the load (auto-retry). This cycle persists until the fault condition is removed.

5.2 Startup time and C_{SS} calculation

Connecting a capacitor between the C_{SS} pin and GND allows the modification of the output voltage startup time. The startup time (T_{SS}) is defined as the time interval between the device UVLO threshold, which has been overcome, and V_{OUT}, which has reached 90% of the nominal value as shown in [Figure 4](#).

The below [Table 6](#) shows the typical startup time obtained with the industry-standard values of C_{SS}.

Table 6. Startup time vs. C_{SS} capacitor value

Parameter	Value			
C _{SS} [nF]	None	10	47	100
T _{SS} [ms]	0.6	2.3	10.8	23

The capacitance to be added to C_{SS} pin can be also estimated by using the following theoretical formula:

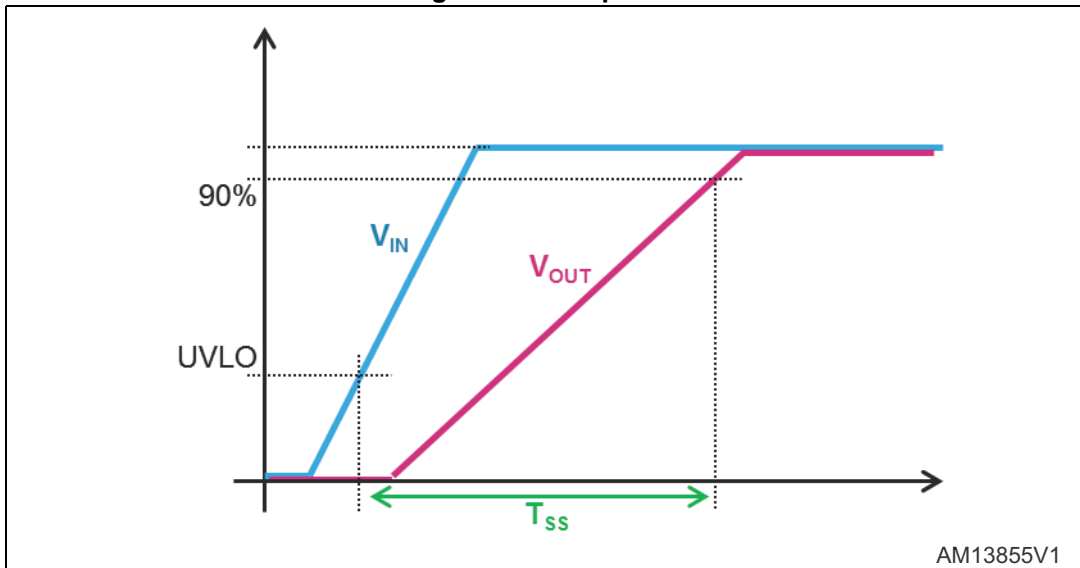
Equation 1

$$C_{SS} = 4.35 \times 10^{-6} \times T_{SS}$$

The above value is not valid if C_{SS} is not connected. C_{SS} is expressed in Farad and the time in seconds.

A ceramic low leakage capacitor is suggested for this purpose. The formula is meant as a theoretical support to choose the C_{SS} capacitor and it does not take into account the capacitor tolerance, temperature and process variations.

Figure 4. Startup time



5.3 UVLO and voltage clamp selection

The device can be used either on the 3.3 V or on the 5 V lines. The operating mode can be selected through the V_{CP} pin.

If this pin is set at high level (V_{CP} > 2 V) the operating mode is 5 V. In this mode the UVLO threshold is 3.6 V typical, the clamping voltage is set to 5.7 V.

If the V_{CP} pin is pulled to low level (V_{CP} < 0.4 V), the operating mode is 3.3 V. In this mode the UVLO threshold is 2.3 V typical, the clamping voltage is set to 3.8 V.

5.4 Enable pin

The EN pin is used to turn on/off the device. The device is disabled when the EN pin voltage is lower than 0.4 V, enabled if the EN pin voltage is higher than 2 V.

6 Typical performance characteristics

(The following plots are referred to the typical application circuit and, unless otherwise noted, at $T_A = 25\text{ }^\circ\text{C}$)

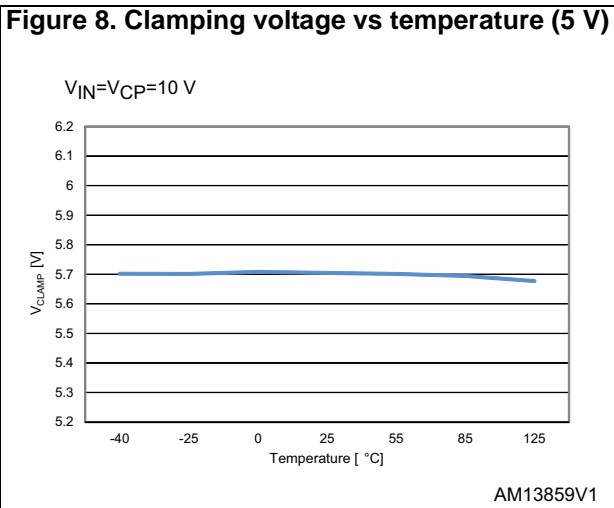
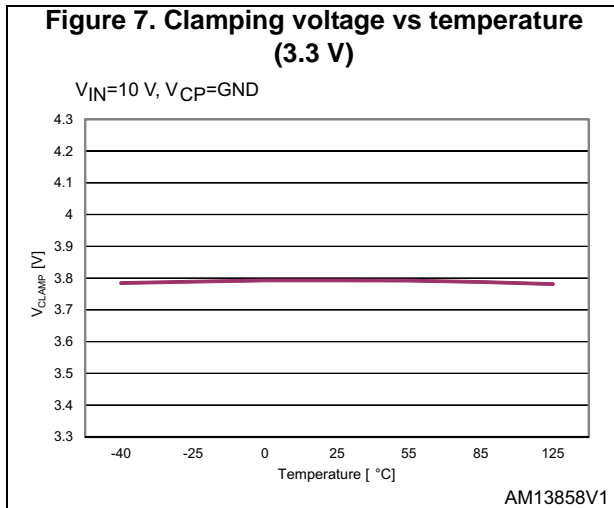
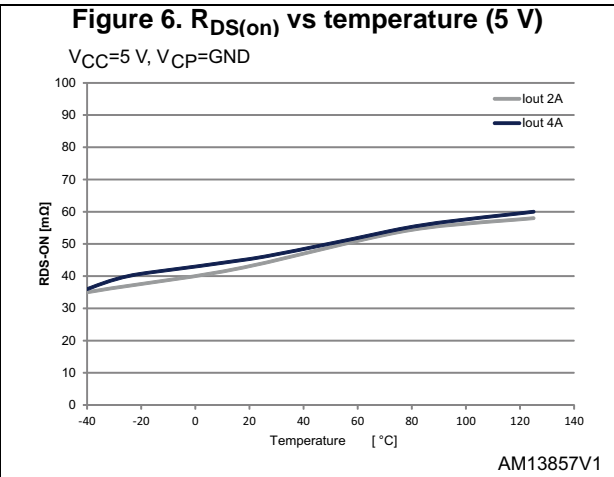
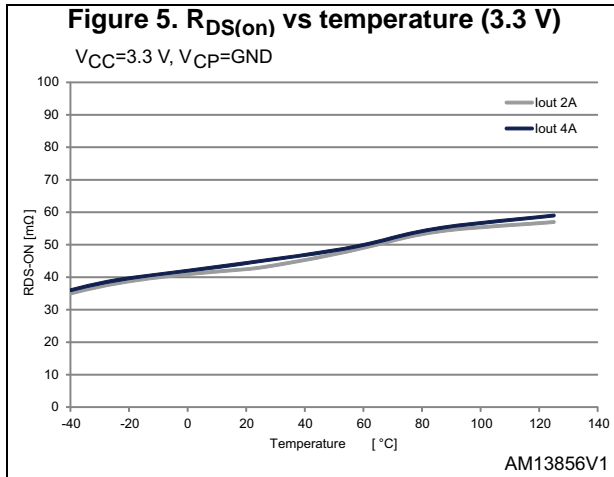
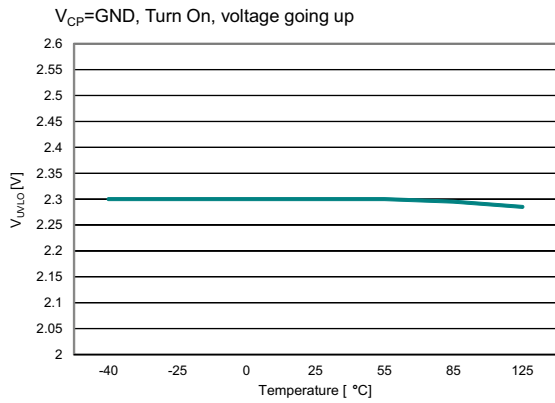
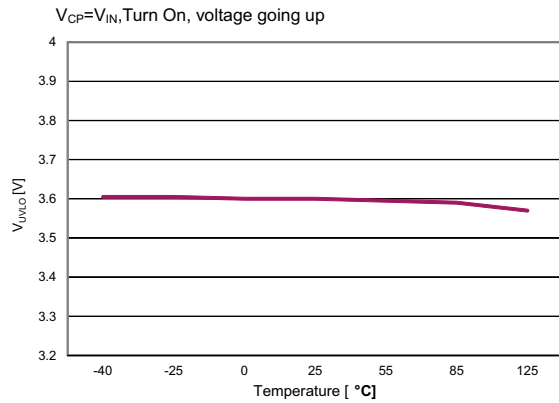


Figure 9. UVLO threshold vs temperature (3.3 V)



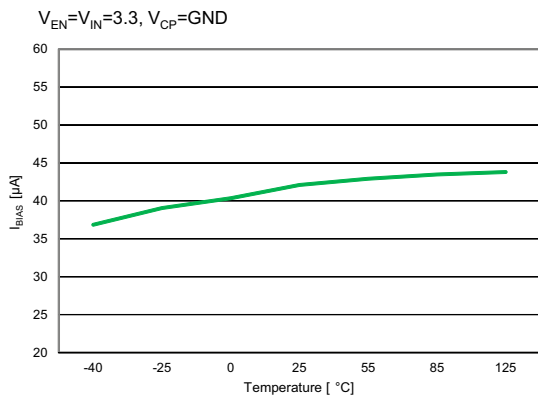
AM13861V1

Figure 10. UVLO threshold vs temperature (5 V)



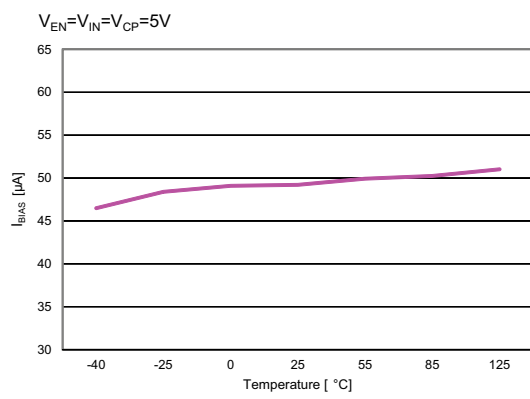
AM13860V1

Figure 11. Bias current vs temperature (3.3 V)



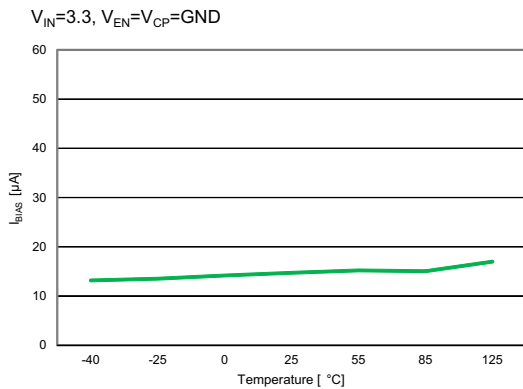
AM13862V1

Figure 12. Bias current vs temperature (5 V)



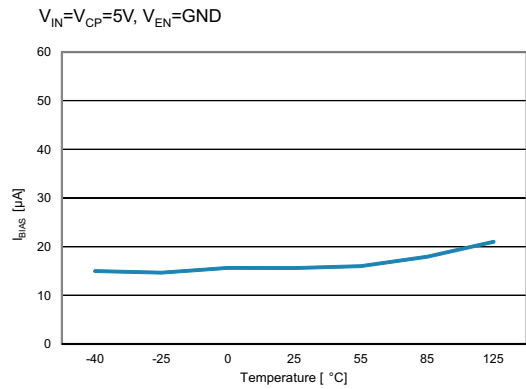
AM13863V1

Figure 13. Shutdown current vs temperature (3.3 V)



AM13864V1

Figure 14. Shutdown current vs temperature (5 V)



AM13865V1

Figure 15. Trip point, overload and short-circuit current (3.3 V)

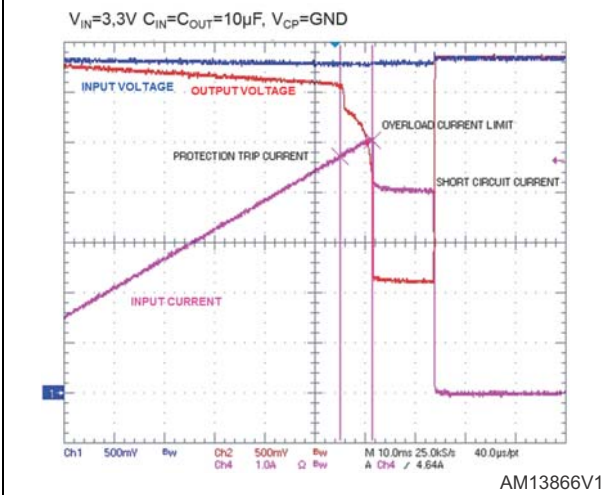


Figure 16. Trip point, overload and short-circuit current (5 V)

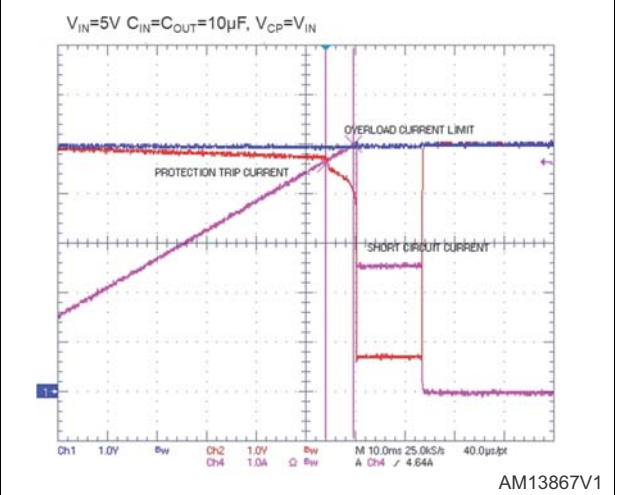


Figure 17. Startup into short-circuit (3.3 V)

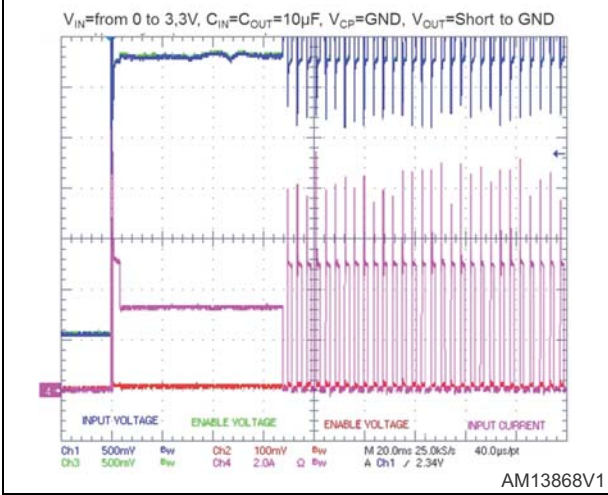


Figure 18. Startup into short-circuit (5 V)

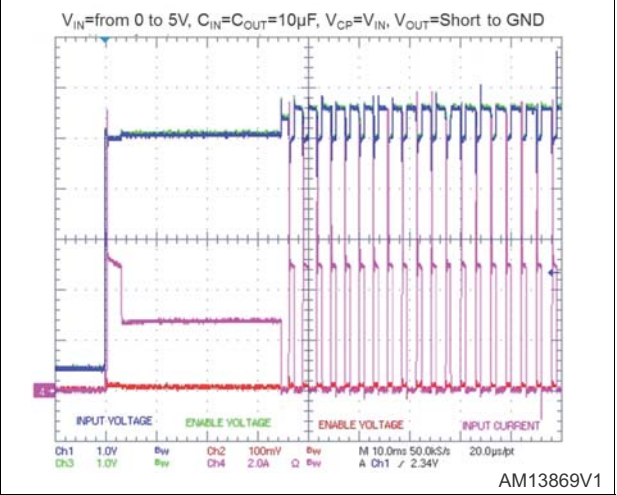


Figure 19. Soft-start behavior (3.3 V)

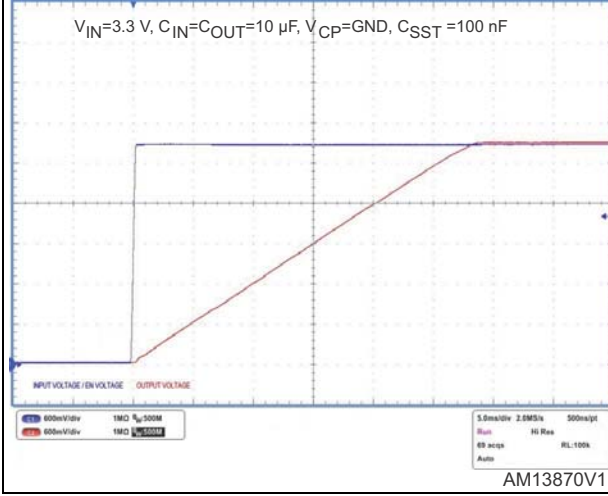
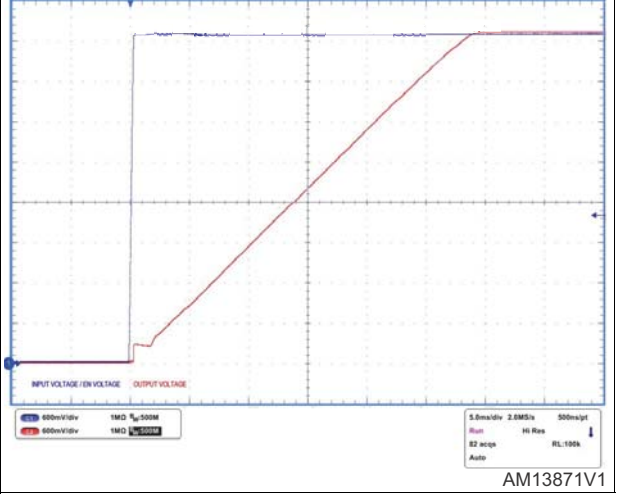


Figure 20. Soft-start behavior (5 V)



7 Package information

In order to meet environmental requirements, ST offers these devices in different grades of ECOPACK[®] packages, depending on their level of environmental compliance. ECOPACK[®] specifications, grade definitions and product status are available at: www.st.com. ECOPACK[®] is an ST trademark.

7.1 DFN6 3x3 - 10L package information

Figure 21. DFN6 3x3 - 10L package outline

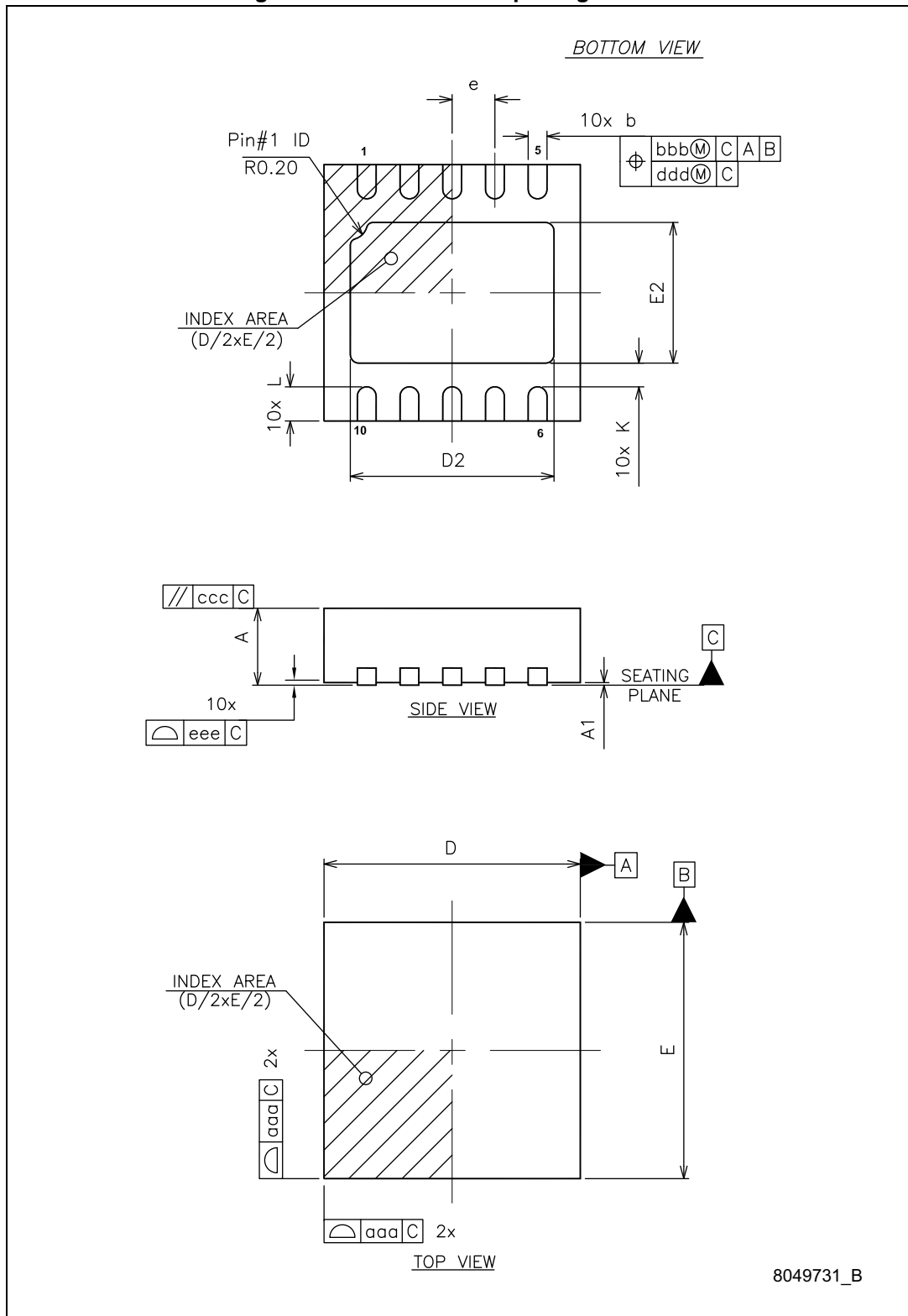
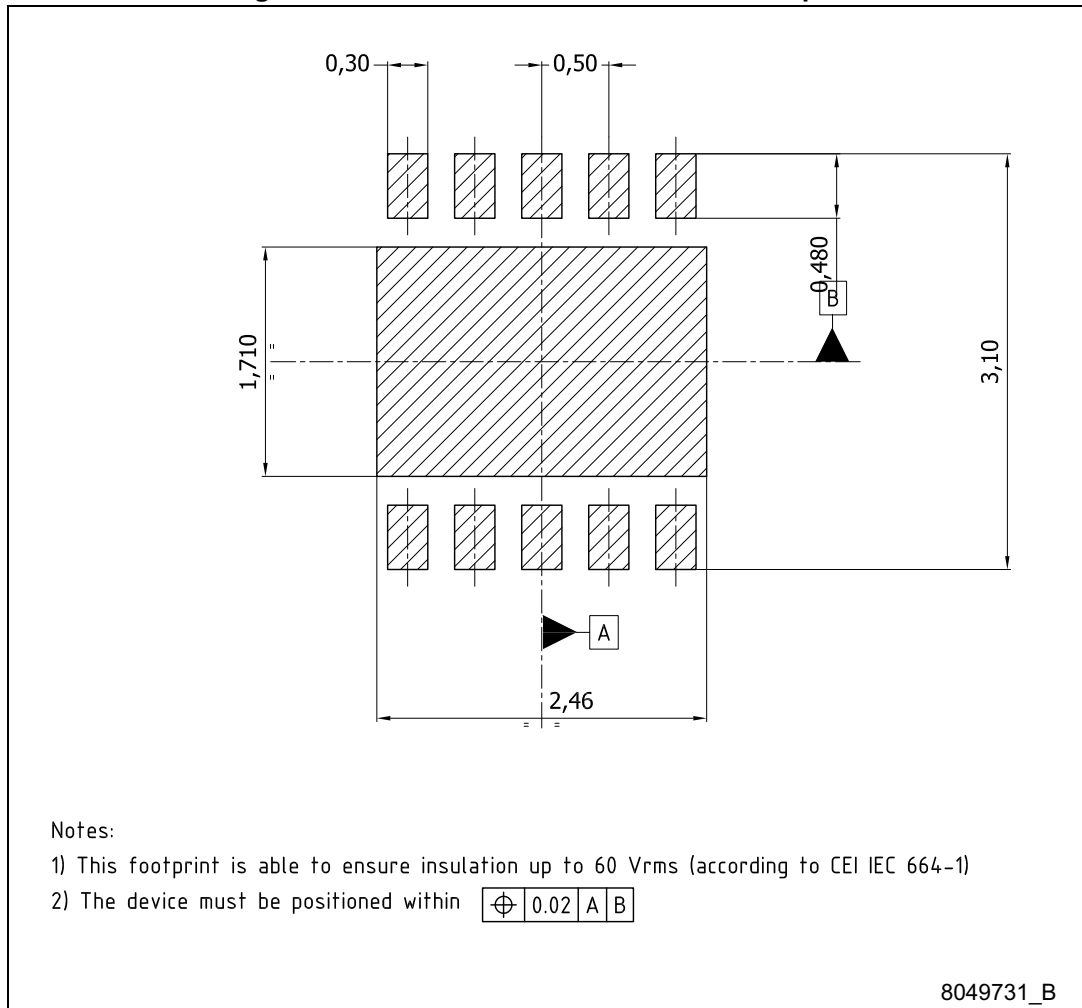


Table 7. DFN6 3x3 - 10L mechanical data

Dim.	mm		
	Min.	Typ.	Max.
A	0.70	0.75	0.80
A1	0.00	0.02	0.05
b	0.18	0.25	0.30
D		3.00	
E		3.00	
e		0.5	
D2	2.234	2.384	2.484
E2	1.496	1.646	1.746
K	0.20		
L	0.30	0.40	0.50
aaa		0.05	
bbb		0.10	
ccc		0.10	
ddd		0.05	
eee		0.08	

Figure 22. DFN6 3x3 - 10L recommended footprint



7.2 DFN6 3x3 - 10L packing information

Figure 23. Tape for DFN6 3x3 - 10L

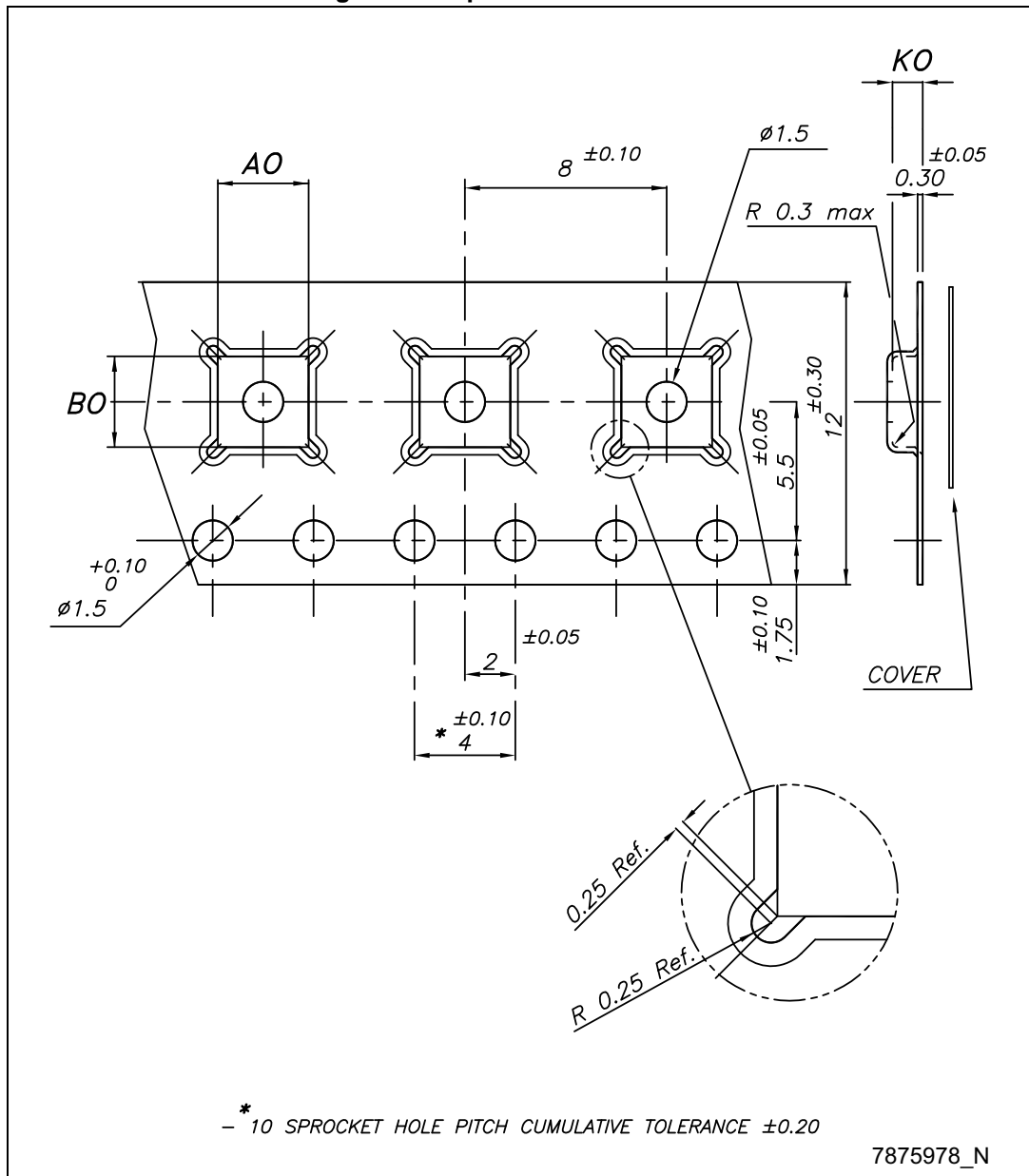


Figure 24. Reel for DFN6 3x3 - 10L

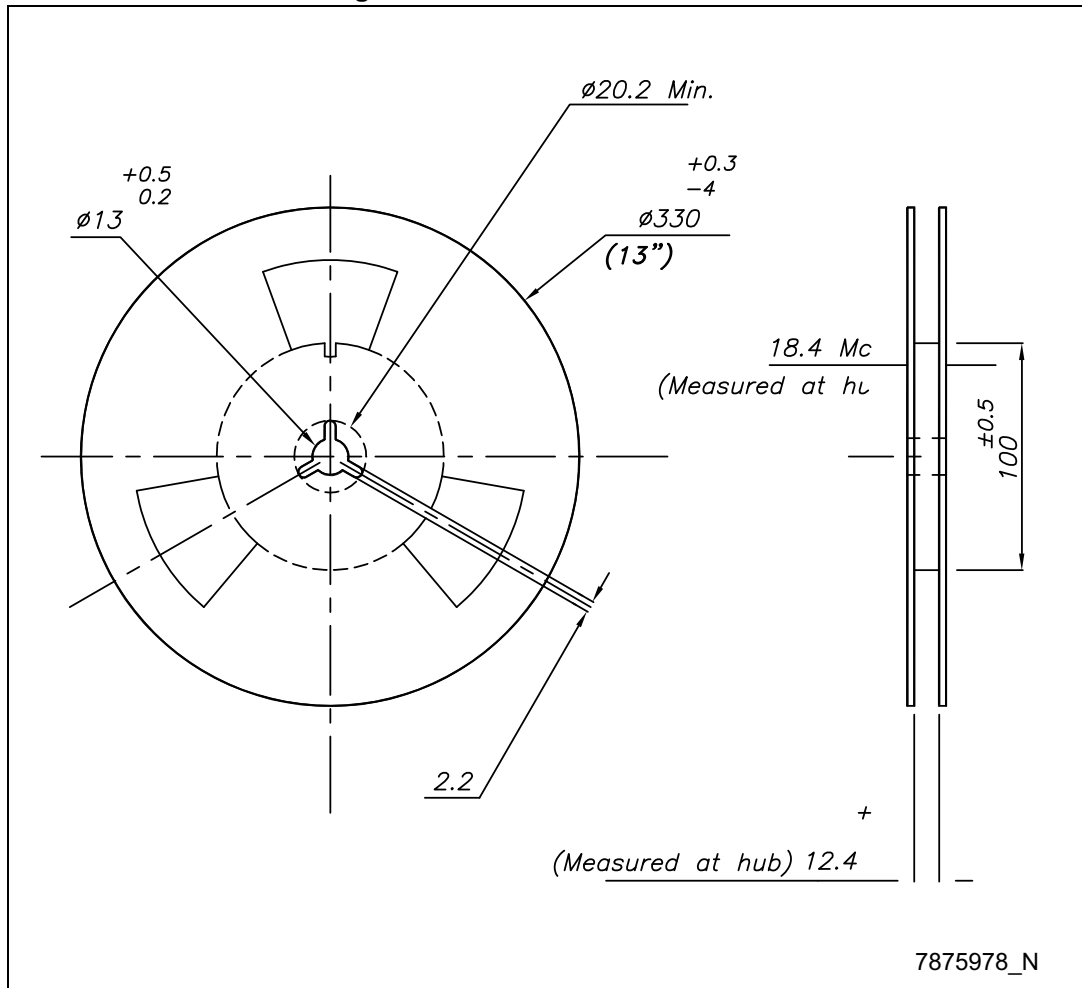


Figure 25. Schematic drawing orientation

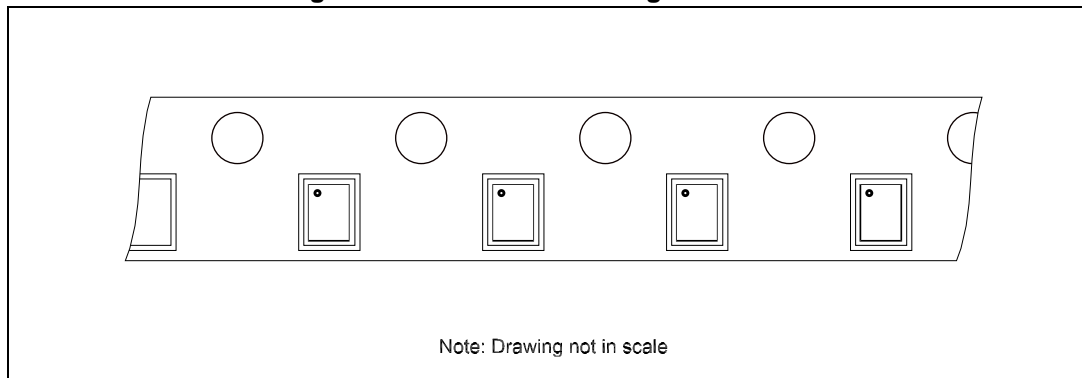


Table 8. DFN6 3x3 10L tape and reel mechanical data

Dim.	mm		
	Min.	Typ.	Max.
A0	3.20	3.30	3.40
B0	3.20	3.30	3.40
K0	1	1.10	1.20

8 Revision history

Table 9. Document revision history

Date	Revision	Changes
23-Oct-2013	1	Initial release.
02-Dec-2014	2	Updated <i>Section 4: Electrical characteristics</i> , <i>Section 7: Package information</i> and <i>Figure 3: Application circuit</i> . Minor text changes.

IMPORTANT NOTICE – PLEASE READ CAREFULLY

STMicroelectronics NV and its subsidiaries ("ST") reserve the right to make changes, corrections, enhancements, modifications, and improvements to ST products and/or to this document at any time without notice. Purchasers should obtain the latest relevant information on ST products before placing orders. ST products are sold pursuant to ST's terms and conditions of sale in place at the time of order acknowledgement.

Purchasers are solely responsible for the choice, selection, and use of ST products and ST assumes no liability for application assistance or the design of Purchasers' products.

No license, express or implied, to any intellectual property right is granted by ST herein.

Resale of ST products with provisions different from the information set forth herein shall void any warranty granted by ST for such product.

ST and the ST logo are trademarks of ST. All other product or service names are the property of their respective owners.

Information in this document supersedes and replaces information previously supplied in any prior versions of this document.

© 2014 STMicroelectronics – All rights reserved

Компания «Life Electronics» занимается поставками электронных компонентов импортного и отечественного производства от производителей и со складов крупных дистрибьюторов Европы, Америки и Азии.

С конца 2013 года компания активно расширяет линейку поставок компонентов по направлению коаксиальный кабель, кварцевые генераторы и конденсаторы (керамические, пленочные, электролитические), за счёт заключения дистрибьюторских договоров

Мы предлагаем:

- Конкурентоспособные цены и скидки постоянным клиентам.
- Специальные условия для постоянных клиентов.
- Подбор аналогов.
- Поставку компонентов в любых объемах, удовлетворяющих вашим потребностям.
- Приемлемые сроки поставки, возможна ускоренная поставка.
- Доставку товара в любую точку России и стран СНГ.
- Комплексную поставку.
- Работу по проектам и поставку образцов.
- Формирование склада под заказчика.
- Сертификаты соответствия на поставляемую продукцию (по желанию клиента).
- Тестирование поставляемой продукции.
- Поставку компонентов, требующих военную и космическую приемку.
- Входной контроль качества.
- Наличие сертификата ISO.

В составе нашей компании организован Конструкторский отдел, призванный помогать разработчикам, и инженерам.

Конструкторский отдел помогает осуществить:

- Регистрацию проекта у производителя компонентов.
- Техническую поддержку проекта.
- Защиту от снятия компонента с производства.
- Оценку стоимости проекта по компонентам.
- Изготовление тестовой платы монтаж и пусконаладочные работы.



Тел: +7 (812) 336 43 04 (многоканальный)
Email: org@lifeelectronics.ru