

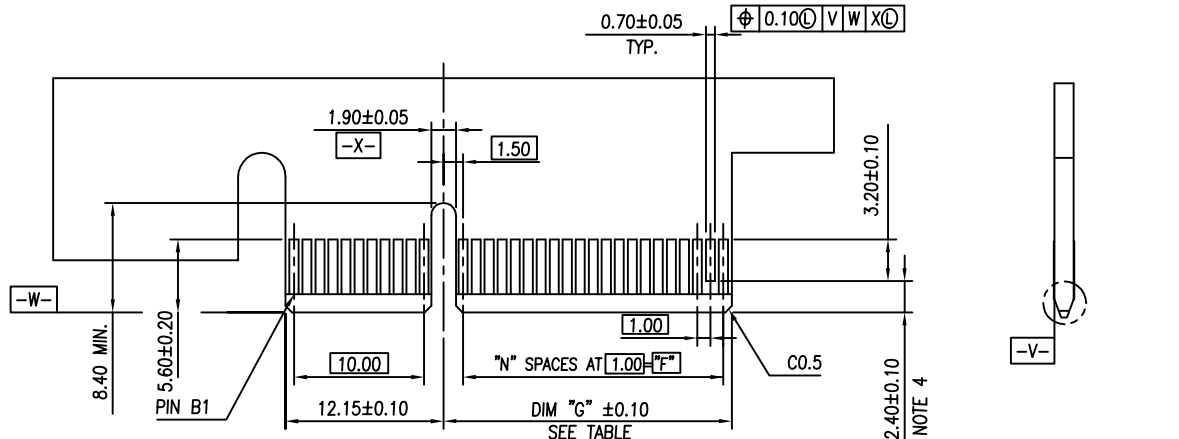
HOLD DOWN TYPE



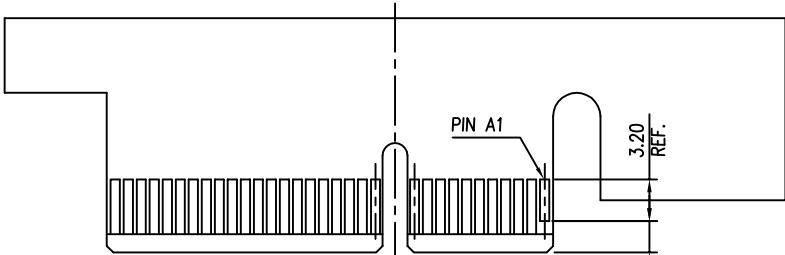
FCIconnect.com

Copyright FCI

|             |                |    |           |                                       |   |                       |   |                |  |                            |  |                  |      |  |
|-------------|----------------|----|-----------|---------------------------------------|---|-----------------------|---|----------------|--|----------------------------|--|------------------|------|--|
| mat'l. code |                |    |           | surface 58/ISO 1302                   |   | tolerance ISO 406 ISO |   | projection 101 |  | product family PCI_EXPRESS |  |                  |      |  |
| ltr         | ecn no         | dr | date      | tolerances unless otherwise specified |   | angles linear         |   | MM             |  | title                      |  |                  |      |  |
| A           | T04-0004       | RC | 02/05/'07 |                                       |   |                       |   |                |  | PCI_EXPRESS_CARD_EDGE      |  |                  |      |  |
| B           | T07-1083       | RC | 05/25/'07 |                                       |   |                       |   |                |  | POST-FREE_ASSEMBLY(SMT)    |  |                  |      |  |
| C           | DG-007885      | HT | 11/14/'11 | 0'±2'                                 |   |                       |   | scale 1        |  | dwg no                     |  | sheet 1 of 6     | size |  |
| D           | DG-009560      | HT | 01/16/'12 | dr RICHARD_CHIU                       |   | 01/30/'07             |   | FCI            |  | 10076266                   |  | A4               |      |  |
| E           | ELX-DG-13973   | WL | 01/31/'13 | enr RICHARD_CHIU                      |   | 01/30/'07             |   |                |  | type                       |  | CUSTOMER Drawing |      |  |
|             |                |    |           | chr PAUL_WANG                         |   | 01/30/'07             |   |                |  |                            |  |                  |      |  |
|             |                |    |           | app JOSEPH_HSIA                       |   | 01/30/'07             |   |                |  |                            |  |                  |      |  |
| sheet index | revision sheet | E  | A         | A                                     | E | A                     | A |                |  |                            |  |                  |      |  |
|             |                | 1  | 2         | 3                                     | 4 | 5                     | 6 |                |  |                            |  |                  |      |  |



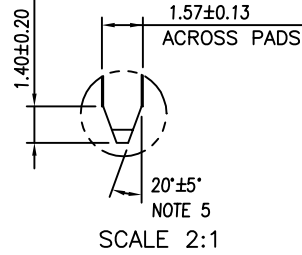
← I/O PANEL DIRECTION  
PRIMARY (COMPONENT) SIDE



I/O PANEL DIRECTION →  
SECONDARY (SOLDER) SIDE

| #   | POS | REF. | N     | DIM "G" | DIM "F" | "F" |
|-----|-----|------|-------|---------|---------|-----|
| 36  | 6   |      | 8.15  | 6.00    | B17     |     |
| 64  | 20  |      | 22.15 | 20.00   | B31     |     |
| 98  | 37  |      | 39.15 | 37.00   | B48     |     |
| 164 | 70  |      | 72.15 | 70.00   | B81     |     |

PIN "F" SEE TABLE

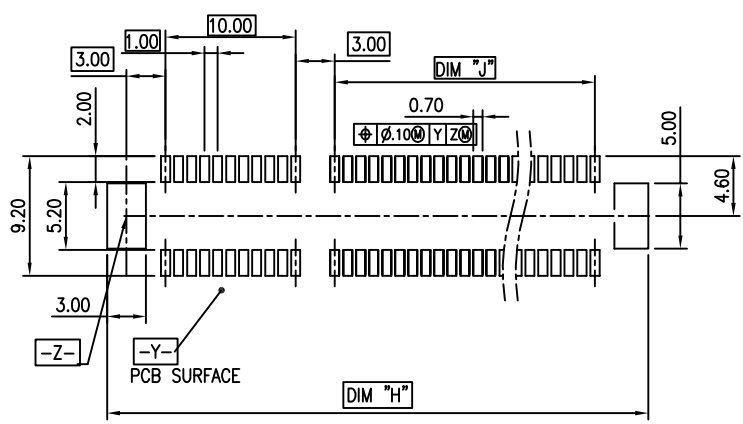


ADD-IN CARD EDGE-FINGER DIMENSIONS

|             |        |                |      |                                       |              |                 |  |            |          |                         |              |      |
|-------------|--------|----------------|------|---------------------------------------|--------------|-----------------|--|------------|----------|-------------------------|--------------|------|
| mat'l. code |        |                |      | surface 58                            |              | tolerance       |  | projection |          | product family          |              |      |
| -           |        |                |      | ISO 1302 ✓                            |              | ISO 406 ISO 101 |  |            |          | PCI_EXPRESS             |              |      |
| ltr         | ecn no | dr             | date | tolerances unless otherwise specified |              |                 |  |            |          | title                   |              |      |
| A           | -      | -              | -    | angles                                |              | .XX±.13         |  | MM         |          | PCI_EXPRESS_CARD_EDGE   |              |      |
|             |        |                |      | linear                                |              | XXX±.05         |  | scale 2    |          | POST-FREE_ASSEMBLY(SMT) |              |      |
|             |        |                |      | dr                                    | RICHARD_CHIU | 1/30/'07        |  |            | dwg no   |                         | sheet 2 of 6 | size |
|             |        |                |      | engr                                  | RICHARD_CHIU | 1/30/'07        |  |            | 10076266 |                         | A4           |      |
|             |        |                |      | chr                                   | PAUL_WANG    | 1/30/'07        |  |            |          |                         |              |      |
|             |        |                |      | app                                   | JOSEPH_HSIA  | 1/30/'07        |  |            |          |                         |              |      |
| sheet index |        | revision sheet |      | A                                     |              | 2               |  |            |          |                         |              |      |



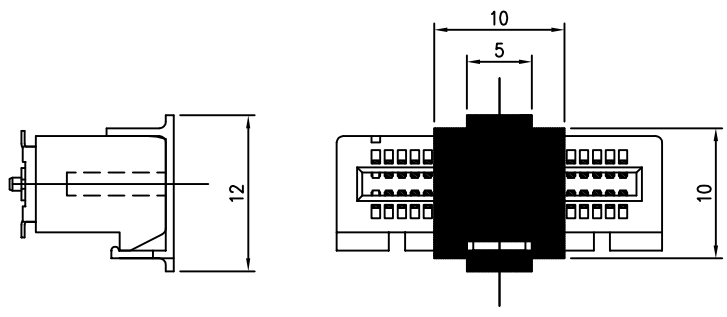
Copyright FCI



RECOMMENDED PCB LAYOUT, PAD TYPE

| DIMENSIONS |       |                            |              |              |              |              |       |
|------------|-------|----------------------------|--------------|--------------|--------------|--------------|-------|
| POSITION   | A     | B $\pm 0.15$<br>$\pm 0.05$ | C $\pm 0.20$ | D $\pm 0.23$ | E $\pm 0.20$ | H $\pm 0.10$ | J     |
| 36         | 6.00  | 7.65                       | 9.15         | 25.00        | 27.00        | 28.00        | 6.00  |
| 64         | 20.00 | 21.65                      | 23.15        | 39.00        | 41.00        | 42.00        | 20.00 |
| 98         | 37.00 | 38.65                      | 40.15        | 56.00        | 58.00        | 59.00        | 37.00 |
| 164        | 70.00 | 71.65                      | 73.15        | 89.00        | 91.00        | 92.00        | 70.00 |

POSTION OF CAP



FCI  
FCIconnect.com

Copyright FCI

|             |                |    |      |                                       |              |               |     |            |          |                         |                  |              |      |
|-------------|----------------|----|------|---------------------------------------|--------------|---------------|-----|------------|----------|-------------------------|------------------|--------------|------|
| mat'l. code |                |    |      | surface 58                            |              | tolerance     |     | projection |          | product family          |                  |              |      |
| -           |                |    |      | ISO 1302                              |              | ISO 406       |     | ISO 1101   |          | PCI_EXPRESS             |                  |              |      |
| ltr         | ecn no         | dr | date | tolerances unless otherwise specified |              |               |     |            |          | title                   |                  |              |      |
| A           | -              | -  | -    | angles                                |              | .X $\pm$ .2   |     | MM         |          | PCI_EXPRESS_CARD_EDGE   |                  |              |      |
|             |                |    |      | linear                                |              | .XX $\pm$ .13 |     | ←→         |          | POST-FREE_ASSEMBLY(SMT) |                  |              |      |
|             |                |    |      | 0° $\pm$ 2°                           |              | XXX $\pm$ .05 |     | scale 2    |          | dwg no                  |                  | sheet 3 of 6 | size |
|             |                |    |      | dr                                    | RICHARD_CHIU | 1/30/'07      | FCI |            | 10076266 |                         | A4               |              |      |
|             |                |    |      | engr                                  | RICHARD_CHIU | 1/30/'07      |     |            | type     |                         | CUSTOMER Drawing |              |      |
|             |                |    |      | chr                                   | PAUL_WANG    | 1/30/'07      |     |            |          |                         |                  |              |      |
|             |                |    |      | appd                                  | JOSEPH_HSIA  | 1/30/'07      |     |            |          |                         |                  |              |      |
| sheet index | revision sheet | A  | 3    |                                       |              |               |     |            |          |                         |                  |              |      |

NOTES:

1.MATERIAL:

HOUSING: NYLON, GLASS FILLED UL94V-0 RATE, SUITABLE FOR IR SOLDERING.

TERMINAL: COPPER ALLOY

PLATING: 50u" NICKEL UNDERPLATE ALL OVER  
CONTACT AREA PLATING - SEE PRODUCT NUMBER CODE  
SOLDER TAIL: TIN 100u" OVER 50u" NICKEL

METAL PADS: COPPER ALLOY  
FINISH: 100u" TIN OVER 50u" NICKEL

2.PRODUCT SPECIFICATION: GS-12-390

③THE HORIZONTAL AXIS FOR THE PAD PATTERN IS ESTABLISHED BY THE CENTER LINE OF THE PAD LENGTH.  
THE VERTICAL AXIS IS 90° TO THE HORIZONTAL AXIS, THROUGH THE CENTER OF DATUM [Z-]

④NO TIE BAR PERMITTED FROM CARD EDGE TO LEADING EDGE OF PAD FOR PINS A1.

⑤CHAMFER EDGES MUST BE FREE OF CUTTING BURRS.

7.RoHS COMPATIBLE PRODUCT SPECIFICATIONS

a - PLATING:

- "LF" MEANS THE PRODUCT IS LEAD-FREE, 2um MINIMUM MATTE TIN OVER 1.27um MINIMUM NICKEL UNDERPLATE.

b - MANUFACTURING PROCESS COMPATIBILITY

- THE HOUSING WILL WITHSTAND EXPOSURE TO 260°C±5°C PEAK TEMPERATURE FOR 5 SECONDS IN A CONVECTION, INFRA-RED OR VAPOR PHASE REFLOW OVEN.

PRODUCT NUMBER CODE

10076266 -X X X X L F

HOUSING COLOR OPTIONS

1-BLACK

LEAD FREE

PACKAGING OPTIONS

- T-TRAY PACKAGING WITHOUT CAP
- R-TAPE & REEL PACKING WITHOUT CAP (FOR 36P&64P OPTIONS ONLY)
- P-TAPE & REEL PACKING WITH CAP (FOR 36P&64P OPTIONS ONLY)
- C-TRAY PACKAGING WITH CAP
- M-TAPE&REEL WITH MYLAR(36P&64P OPTION ONLY)
- F-HARD TRAY PACKAGING WITH CAP (164P ONLY)

TERMINAL PLATING OPTIONS

- 0-50u" Ni UNDERPLATE  
30u" Au CONTACT AREA  
100u" TIN TAIL AREA ----- COMPATIBLE RoHS
- 1-50u" Ni UNDERPLATE  
15u" Au CONTACT AREA  
100u" TIN TAIL AREA ----- COMPATIBLE RoHS
- 2-50u" Ni UNDERPLATE  
GOLD FLASH CONTACT AREA  
100u" TIN TAIL AREA ----- COMPATIBLE RoHS

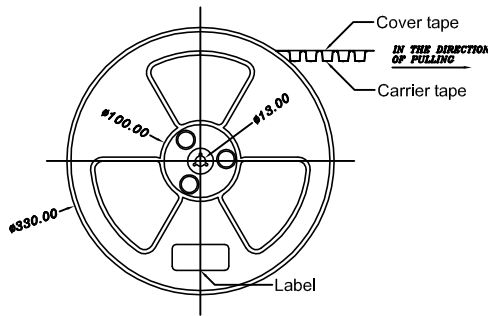
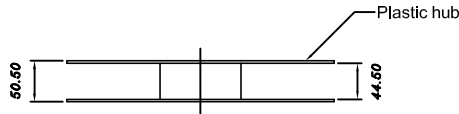
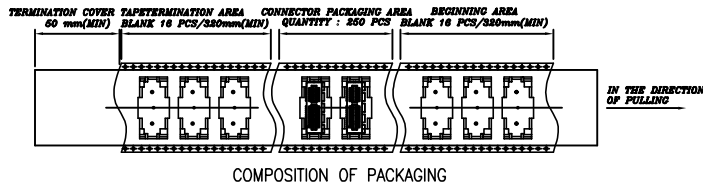
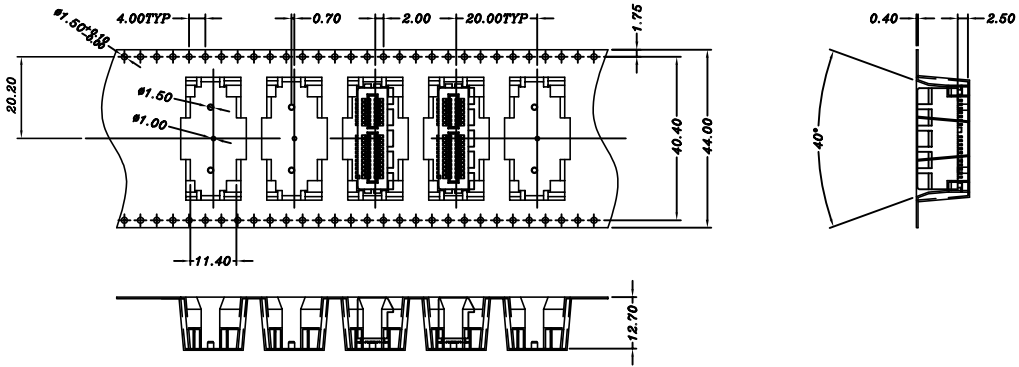
POS OPTIONS

- 0-36
- 1-64
- 2-98
- 3-164



Copyright FCI

|             |        |                |      |                                       |              |                       |     |                |        |                                               |              |      |  |
|-------------|--------|----------------|------|---------------------------------------|--------------|-----------------------|-----|----------------|--------|-----------------------------------------------|--------------|------|--|
| mat'l. code |        |                |      | surface 58/ISO 1302                   |              | tolerance ISO 406 ISO |     | projection 101 |        | product family PCI_EXPRESS                    |              |      |  |
| ltr         | ecn no | dr             | date | tolerances unless otherwise specified |              | angles linear         |     | MM             |        | title                                         |              |      |  |
| E           | -      | -              | -    | .X±.2                                 |              | 0°±2'                 |     | scale 2        |        | PCI_EXPRESS_CARD_EDGE POST-FREE_ASSEMBLY(SMT) |              |      |  |
| sheet index |        | revision sheet | C    | dr                                    | RICHARD_CHIU | 1/30/'07              | FCI |                | dwg no |                                               | sheet 4 of 6 | size |  |
|             |        |                | enr  | RICHARD_CHIU                          | 1/30/'07     | 10076266              |     |                | A4     |                                               |              |      |  |
|             |        |                | chr  | PAUL_WANG                             | 1/30/'07     | CUSTOMER Drawing      |     |                |        |                                               |              |      |  |
|             |        |                | app  | JOSEPH_HSIA                           | 1/30/'07     |                       |     |                |        |                                               |              |      |  |



TAPE AND REEL  
PACKING  
RECOMMENDED FOR  
36PINS ONLY

|             |                |    |      |                                       |              |                 |  |            |              |                         |                  |
|-------------|----------------|----|------|---------------------------------------|--------------|-----------------|--|------------|--------------|-------------------------|------------------|
| mat'l. code |                |    |      | surface 58                            |              | tolerance       |  | projection |              | product family          |                  |
| -           |                |    |      | ISO 1302                              |              | ISO 406 ISO 101 |  |            |              | PCI_EXPRESS             |                  |
| ltr         | ecn no         | dr | date | tolerances unless otherwise specified |              |                 |  | title      |              |                         |                  |
| A           | -              | -  | -    | angles                                |              | .X±.3           |  | MM         |              | PCI_EXPRESS_CARD_EDGE   |                  |
|             |                |    |      | linear                                |              | .XX±.20         |  | ←→         |              | POST-FREE_ASSEMBLY(SMT) |                  |
|             |                |    |      | 0°±2'                                 |              | XXX±.10         |  | scale 1    |              | dwg no                  |                  |
|             |                |    |      | dr                                    | RICHARD_CHIU | 1/30/'07        |  |            | sheet 5 of 6 |                         | size             |
|             |                |    |      | engr                                  | RICHARD_CHIU | 1/30/'07        |  |            | 10076266     |                         | A4               |
|             |                |    |      | chr                                   | PAUL_WANG    | 1/30/'07        |  |            | type         |                         | CUSTOMER Drawing |
|             |                |    |      | appd                                  | JOSEPH_HSIA  | 1/30/'07        |  |            |              |                         |                  |
| sheet index | revision sheet | A  | 5    |                                       |              |                 |  |            |              |                         |                  |

1 For PCI EXPRESS SMT TYPE 36P ONLY.

2. Material :

- 2.1 Reel :
  - 2.1.1 Plastic hub : High Impact Polystyrene
  - 2.1.2 Cover tape : PE
  - 2.1.3 Carrier tape : ABS
- 2.2 Waterproof bag : PE
- 2.3 Desiccative : Silica Gel
- 2.4 Carton : Corrugated paper
- 2.5 Baffle : E.P.E
- 2.6 Angle paperboard : Corrugated paper

3. Dimension :

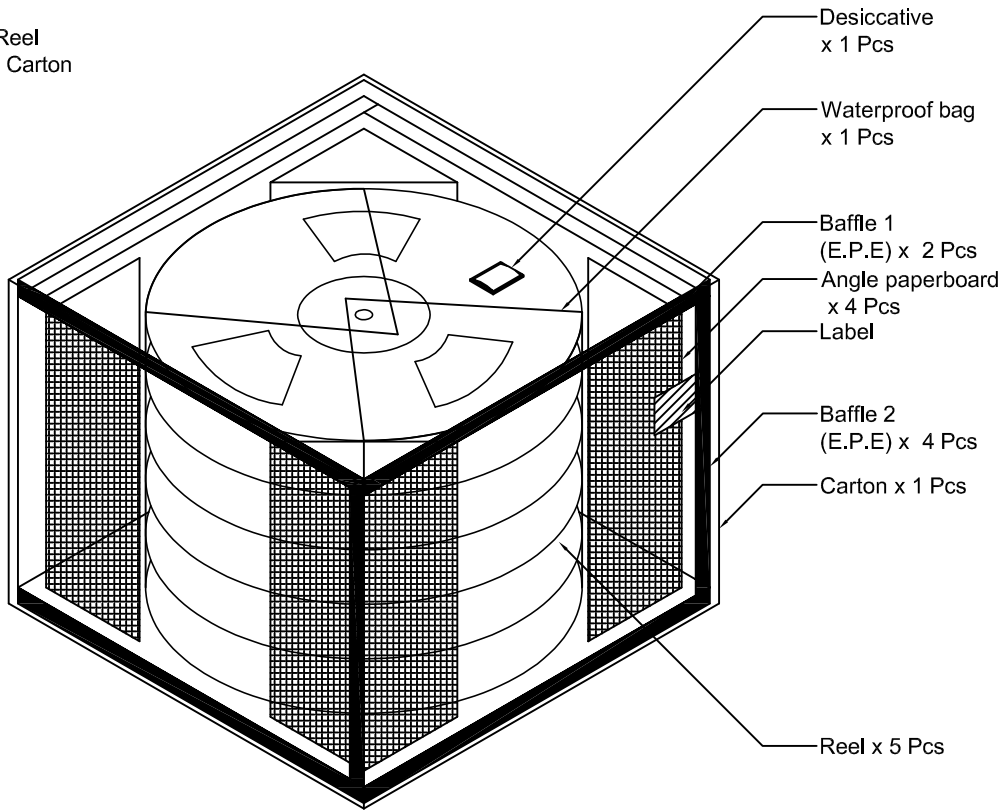
- 3.1 Reel :
  - 3.1.1 Plastic hub :  $\phi 330 \times T50.5$  mm
  - 3.1.2 Cover tape :  $5690(L) \times 37.4(W)$  mm
  - 3.1.3 Carrier tape :  $5640(L) \times 44(W)$ mm
- 3.2 Waterproof bag :  $600(H) \times 465(W) \times 0.06(T)$  mm
- 3.3 Desiccative : 25 gram / Package
- 3.4 Carton :  $380(L) \times 380(W) \times 300(H)$  mm
- 3.5 Baffle (1):  $370(L) \times 370(W) \times 15(H)$  mm
- 3.6 Baffle (2):  $355(L) \times 252(W) \times 15(H)$  mm
- 3.7 Angle paperboard : 252(H)

4. Quantity :

- 4.1 250 Pcs / Reel
- 4.2 1250 Pcs / Carton

5. Weight :

- 5.1 NW :
- 5.2 G/W :



A A  
B B  
C C



|             |        |                                              |      |                                       |               |            |  |                         |  |
|-------------|--------|----------------------------------------------|------|---------------------------------------|---------------|------------|--|-------------------------|--|
| mat'l. code |        | surface 58                                   |      | tolerance                             |               | projection |  | product family          |  |
| -           |        | ISO 1302 <input checked="" type="checkbox"/> |      | ISO 406 ISO 1101                      |               |            |  | PCI_EXPRESS             |  |
| ltr         | ecn no | dr                                           | date | tolerances unless otherwise specified |               |            |  | title                   |  |
| A           | -      | -                                            | -    | angles                                | .X $\pm$ .3   | MM         |  | PCI_EXPRESS_CARD_EDGE   |  |
|             |        |                                              |      | linear                                | .XX $\pm$ .20 |            |  | POST-FREE_ASSEMBLY(SMT) |  |
|             |        |                                              |      | 0'±2'                                 | XXX±.10       | scale 1    |  | dwg no                  |  |
|             |        |                                              |      | dr                                    | RICHARD_CHIU  | 1/30/'07   |  | sheet 6 of 6            |  |
|             |        |                                              |      | engr                                  | RICHARD_CHIU  | 1/30/'07   |  | size                    |  |
|             |        |                                              |      | chr                                   | PAUL_WANG     | 1/30/'07   |  | 10076266                |  |
|             |        |                                              |      | appd                                  | JOSEPH_HSIA   | 1/30/'07   |  | A4                      |  |
| sheet index |        | revision sheet                               |      | A                                     |               |            |  | type                    |  |
|             |        | 6                                            |      |                                       |               |            |  | CUSTOMER Drawing        |  |

D D

Компания «Life Electronics» занимается поставками электронных компонентов импортного и отечественного производства от производителей и со складов крупных дистрибьюторов Европы, Америки и Азии.

С конца 2013 года компания активно расширяет линейку поставок компонентов по направлению коаксиальный кабель, кварцевые генераторы и конденсаторы (керамические, пленочные, электролитические), за счёт заключения дистрибьюторских договоров

Мы предлагаем:

- Конкурентоспособные цены и скидки постоянным клиентам.
- Специальные условия для постоянных клиентов.
- Подбор аналогов.
- Поставку компонентов в любых объемах, удовлетворяющих вашим потребностям.
- Приемлемые сроки поставки, возможна ускоренная поставка.
- Доставку товара в любую точку России и стран СНГ.
- Комплексную поставку.
- Работу по проектам и поставку образцов.
- Формирование склада под заказчика.
- Сертификаты соответствия на поставляемую продукцию (по желанию клиента).
- Тестирование поставляемой продукции.
- Поставку компонентов, требующих военную и космическую приемку.
- Входной контроль качества.
- Наличие сертификата ISO.

В составе нашей компании организован Конструкторский отдел, призванный помогать разработчикам, и инженерам.

Конструкторский отдел помогает осуществить:

- Регистрацию проекта у производителя компонентов.
- Техническую поддержку проекта.
- Защиту от снятия компонента с производства.
- Оценку стоимости проекта по компонентам.
- Изготовление тестовой платы монтаж и пусконаладочные работы.



Тел: +7 (812) 336 43 04 (многоканальный)

Email: [org@lifeelectronics.ru](mailto:org@lifeelectronics.ru)