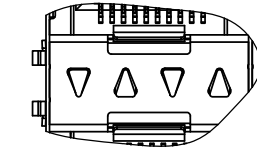
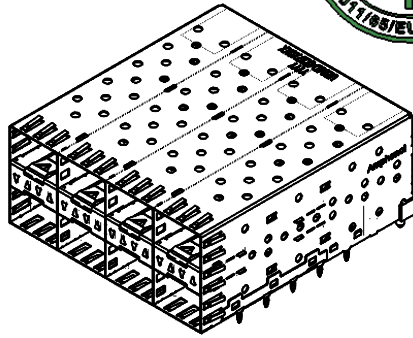
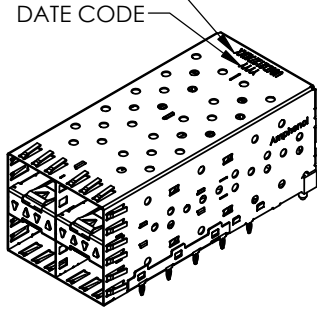




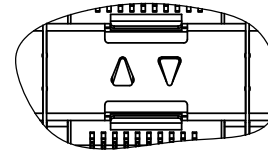
| REVISIONS | | | | |
|-----------|-----|-------------|-----------|----------|
| REV. | ECN | DESCRIPTION | DATE | APPROVED |
| A | | PROPOSAL | MAR.27.14 | J.SI |
| | | | | |
| | | | | |

PART NUMBER
(LAST DIGIT INDICATING
PACKAGING TYPE, NOT
PRINTED ON THE PART)

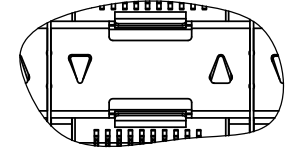
DATE CODE



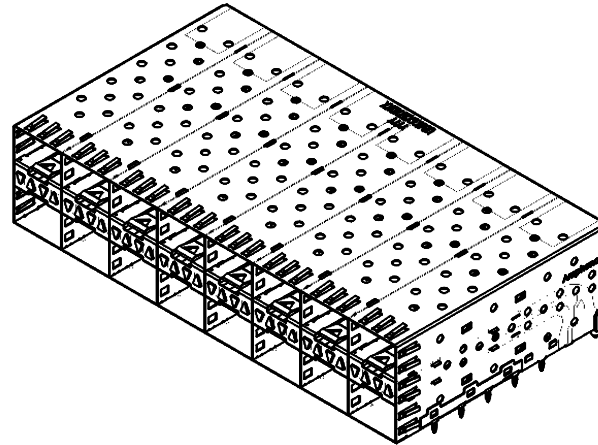
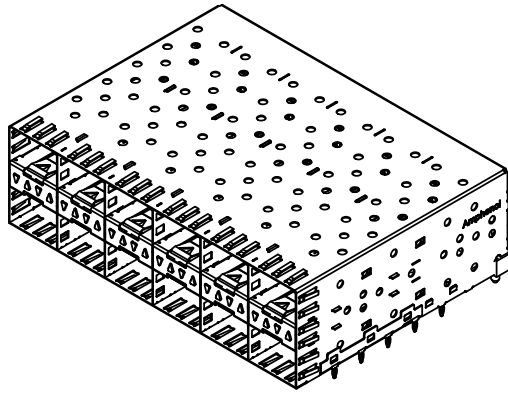
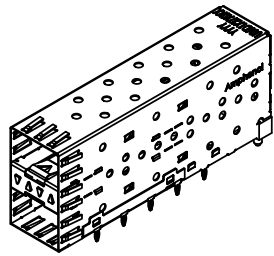
UE86-DX127-10XX1
(4 LIGHT PIPES PER 2X1)



UE86-DX127-20XX1
(2 INNER LIGHT PIPES PER 2X1)



UE86-DX127-30XX1
(2 INNER LIGHT PIPES PER 2X1)



MATERIAL: (RoHS COMPLIANT)

CAGE - PRESS FIT:
COPPER ALLOY

PLATING:

NICKEL 2.54 µm MIN.

CONNECTOR - PRESS FIT:

PLASTIC HOUSING:

LCP, FLAMMABILITY RATING UL94-V0.

CONTACTS:

PHOSPHOR BRONZE

PLATING OPTION:

SEE AMPHENOL PART NUMBER
CONFIGURATION FOR OPTIONS.

LIGHT PIPE:

CLEAR POLYCARBONATE, FLAMMABILITY
RATING UL94-V0.

PACKAGING:

TRAY PACKAGING.

TEMPERATURE RANGE:
-40°C TO +85°

AMPHENOL PART NUMBER CONFIGURATION

UE86 - D X 1 2 7 - X 0 X X 1

NUMBER OF PORTS

- 1 = 2X1
- 2 = 2X2
- 4 = 2X4
- 6 = 2X6
- 8 = 2X8

LIGHT PIPE CONFIGURATION

- 1 = 4 LIGHT PIPES PER 2X1
- 2 = 2 INNER LIGHT PIPES PER 2X1
- 3 = 2 OUTER LIGHT PIPES PER 2X1

PACKAGING

- 1 = TRAY

CAGE PLATING

- 2 = NICKEL
- 3 = MATTE TIN

PRESS FIT CONNECTOR PLATING

- 3 = 0.76 µm MIN. GOLD ON MATING AREA
- 3.81-7.62 µm MATTE TIN ON TERMINATION
- 6 = 0.38 µm MIN. GOLD ON MATING AREA
- 3.81-7.62 µm MATTE TIN ON TERMINATION

DO NOT SCALE DRAWING

THIS DOCUMENT CONTAINS PROPRIETARY INFORMATION AND SUCH INFORMATION MAY NOT BE DISCLOSED TO OTHERS FOR ANY PURPOSE OR USED FOR MANUFACTURING PURPOSES WITHOUT PERMISSION FROM AMPHENOL CANADA CORP.

UNLESS OTHERWISE SPECIFIED
DIMENSIONS ARE IN MILLIMETERS
TOLERANCES ARE:

| | |
|-------------|--------|
| DECIMALS | ANGLES |
| X.X ± 0.25 | ± 1° |
| X.XX ± 0.15 | |

MATERIAL AND FINISH

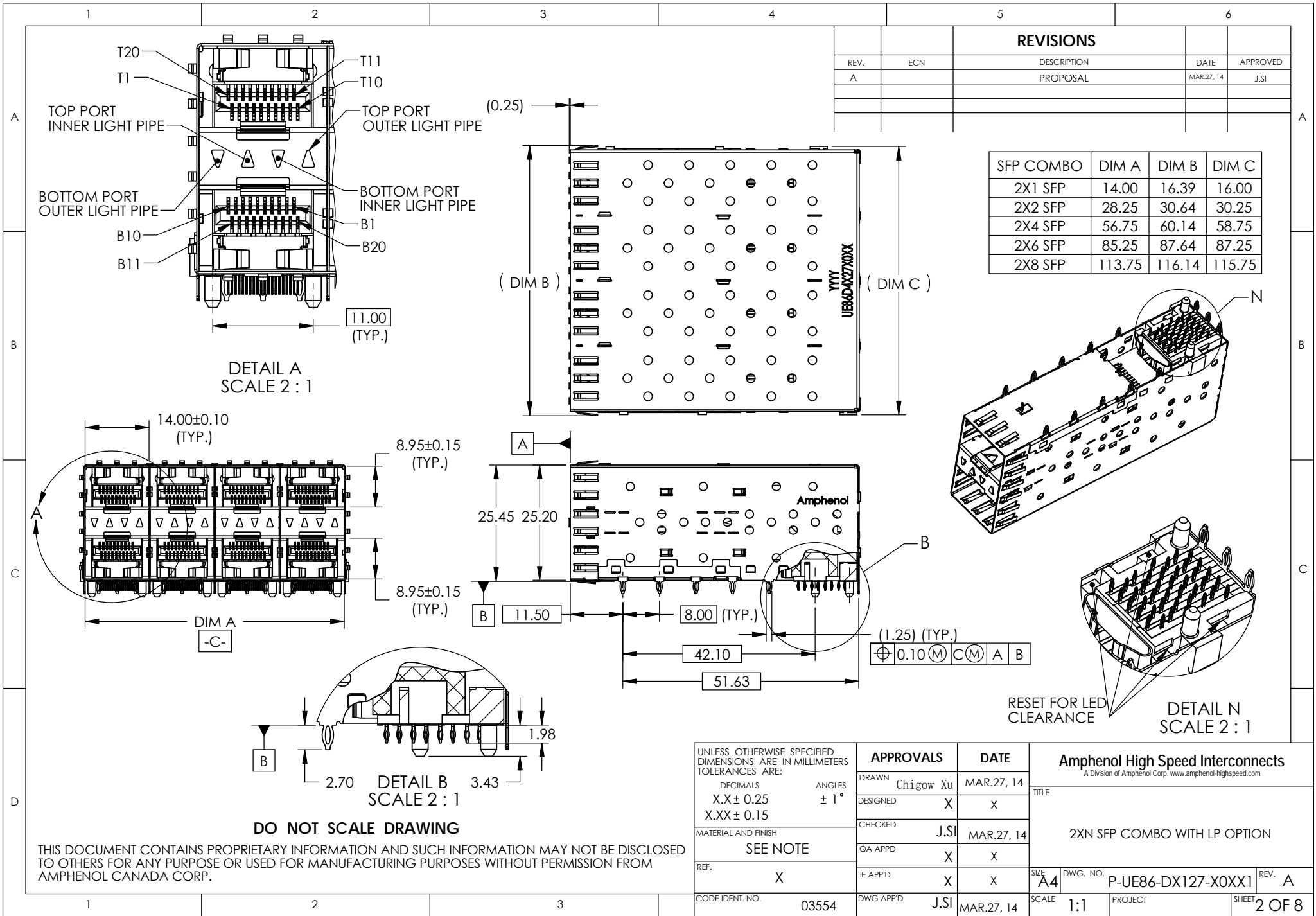
SEE NOTE

REF. X

CODE IDENT. NO. 03554

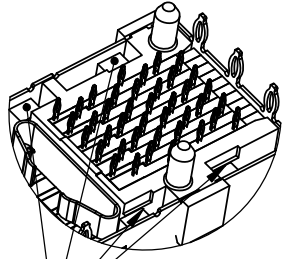
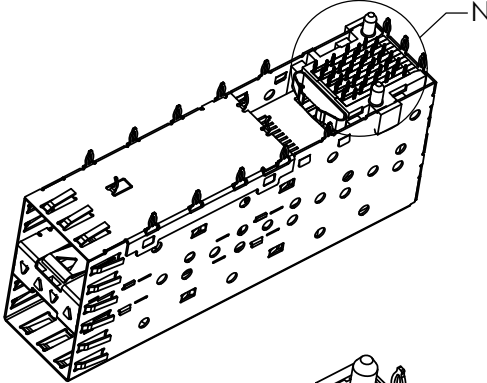
| APPROVALS | DATE |
|-----------------|-----------|
| DRAWN Chigov Xu | MAR.27.14 |
| DESIGNED X | X |
| CHECKED J.SI | MAR.27.14 |
| QA APP'D X | X |
| IE APP'D X | X |
| DWG APP'D J.SI | MAR.27.14 |

| | | | |
|--|-----------------------------|------------------------------|--|
| Amphenol High Speed Interconnects <small>A Division of Amphenol Corp. www.amphenol-highspeed.com</small> | | TITLE | |
| | | 2XN SFP COMBO WITH LP OPTION | |
| SIZE A4 | DWG. NO. P-UE86-DX127-X0XX1 | REV. A | |
| SCALE 2:3 | PROJECT | SHEET 1 OF 8 | |



| REVISIONS | | | | |
|-----------|-----|-------------|-----------|----------|
| REV. | ECN | DESCRIPTION | DATE | APPROVED |
| A | | PROPOSAL | MAR.27.14 | J.SI |

| SFP COMBO | DIM A | DIM B | DIM C |
|-----------|--------|--------|--------|
| 2X1 SFP | 14.00 | 16.39 | 16.00 |
| 2X2 SFP | 28.25 | 30.64 | 30.25 |
| 2X4 SFP | 56.75 | 60.14 | 58.75 |
| 2X6 SFP | 85.25 | 87.64 | 87.25 |
| 2X8 SFP | 113.75 | 116.14 | 115.75 |



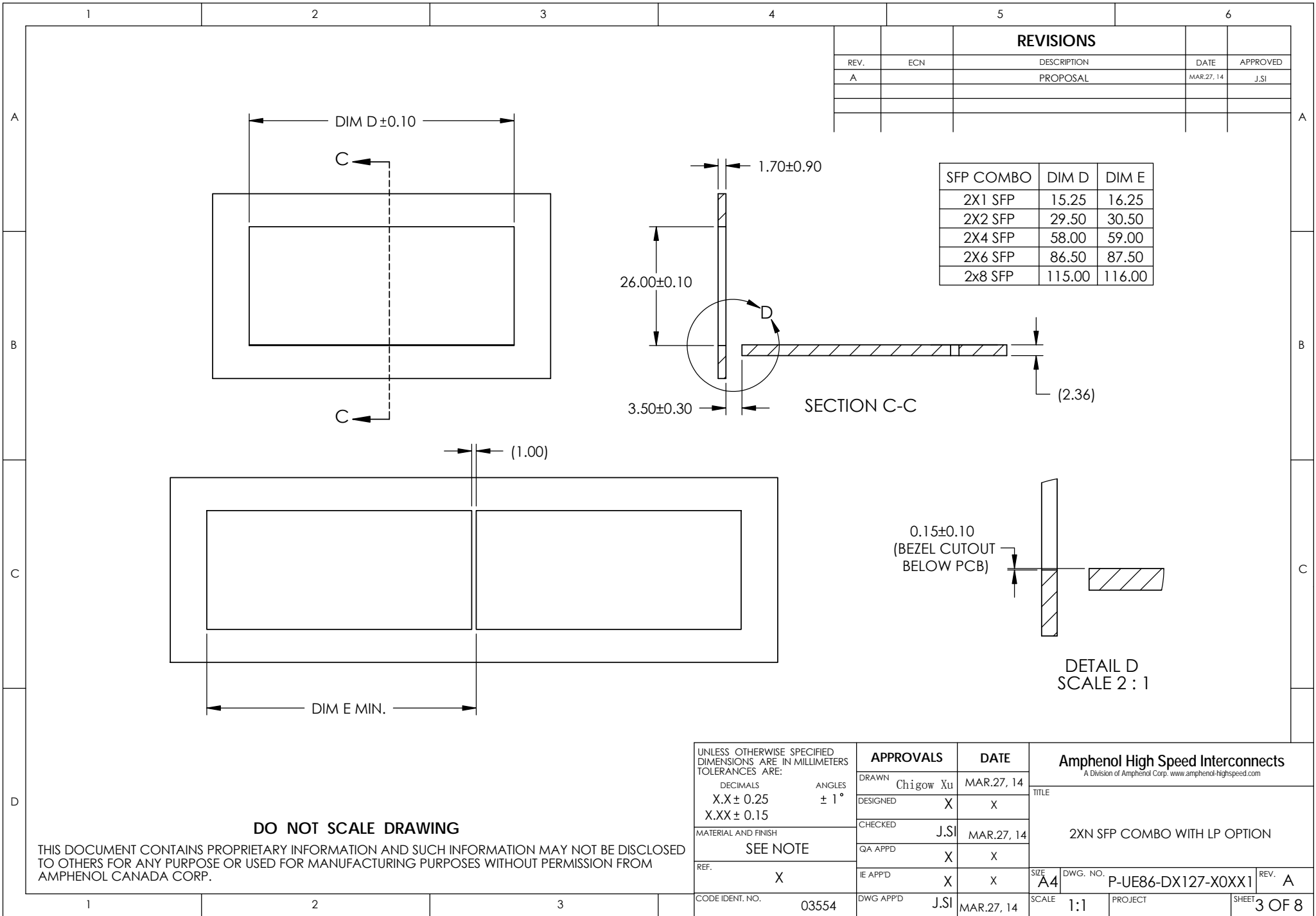
RESET FOR LED CLEARANCE

DETAIL N
SCALE 2 : 1

| | | | | | |
|---|--|------------------|--|-------------|--|
| UNLESS OTHERWISE SPECIFIED DIMENSIONS ARE IN MILLIMETERS TOLERANCES ARE: DECIMALS ANGLES X.X ± 0.25 ± 1° X.XX ± 0.15 | | APPROVALS | | DATE | |
| MATERIAL AND FINISH SEE NOTE | | DRAWN Chigov Xu | | MAR.27.14 | |
| REF. X | | DESIGNED X | | X | |
| CODE IDENT. NO. 03554 | | CHECKED J.SI | | MAR.27.14 | |
| | | QA APPD X | | X | |
| | | IE APPD X | | X | |
| | | DWG APPD J.SI | | MAR.27.14 | |

| | | |
|--|-----------------------------|--------------|
| Amphenol High Speed Interconnects A Division of Amphenol Corp. www.amphenol-highspeed.com | | |
| TITLE | | |
| 2XN SFP COMBO WITH LP OPTION | | |
| SIZE A4 | DWG. NO. P-UE86-DX127-XOXX1 | REV. A |
| SCALE 1:1 | PROJECT | SHEET 2 OF 8 |

DO NOT SCALE DRAWING
THIS DOCUMENT CONTAINS PROPRIETARY INFORMATION AND SUCH INFORMATION MAY NOT BE DISCLOSED TO OTHERS FOR ANY PURPOSE OR USED FOR MANUFACTURING PURPOSES WITHOUT PERMISSION FROM AMPHENOL CANADA CORP.



| REVISIONS | | | | |
|-----------|-----|-------------|-----------|----------|
| REV. | ECN | DESCRIPTION | DATE | APPROVED |
| A | | PROPOSAL | MAR.27.14 | J.SI |
| | | | | |
| | | | | |

| SFP COMBO | DIM D | DIM E |
|-----------|--------|--------|
| 2X1 SFP | 15.25 | 16.25 |
| 2X2 SFP | 29.50 | 30.50 |
| 2X4 SFP | 58.00 | 59.00 |
| 2X6 SFP | 86.50 | 87.50 |
| 2X8 SFP | 115.00 | 116.00 |

| UNLESS OTHERWISE SPECIFIED DIMENSIONS ARE IN MILLIMETERS TOLERANCES ARE: | | APPROVALS | DATE |
|--|--------|-----------------|------------|
| DECIMALS | ANGLES | DRAWN Chigow Xu | MAR.27, 14 |
| X.X ± 0.25 | ± 1° | DESIGNED X | X |
| X.XX ± 0.15 | | CHECKED J.SI | MAR.27, 14 |
| MATERIAL AND FINISH | | QA APP'D X | X |
| SEE NOTE | | IE APP'D X | X |
| REF. X | | DWG APP'D J.SI | MAR.27, 14 |
| CODE IDENT. NO. 03554 | | | |

| Amphenol High Speed Interconnects | | | |
|---|-----------------------------|--------------|--|
| A Division of Amphenol Corp. www.amphenol-highspeed.com | | | |
| TITLE | | | |
| 2XN SFP COMBO WITH LP OPTION | | | |
| SIZE A4 | DWG. NO. P-UE86-DX127-XOXX1 | REV. A | |
| SCALE 1:1 | PROJECT | SHEET 3 OF 8 | |

DO NOT SCALE DRAWING

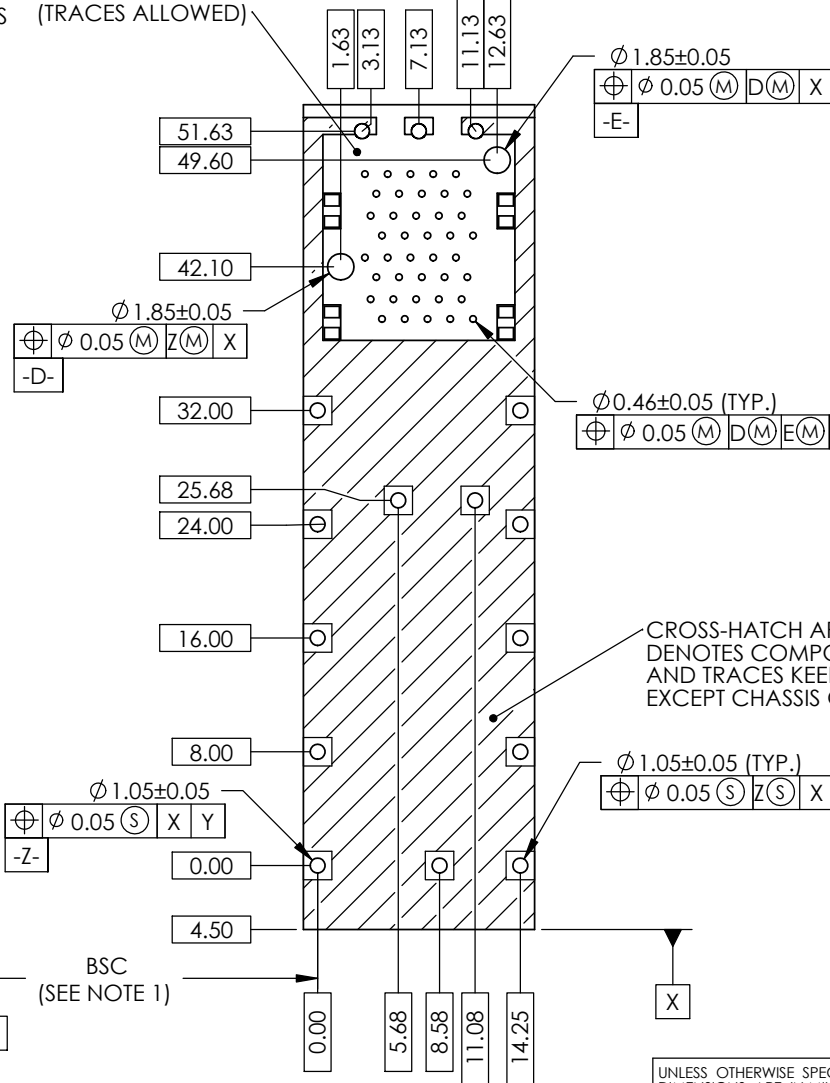
THIS DOCUMENT CONTAINS PROPRIETARY INFORMATION AND SUCH INFORMATION MAY NOT BE DISCLOSED TO OTHERS FOR ANY PURPOSE OR USED FOR MANUFACTURING PURPOSES WITHOUT PERMISSION FROM AMPHENOL CANADA CORP.

NOTES:

1. DATUM AND BASIC DIMENSIONS ESTABLISHED BY CUSTOMER.

2. 1.05 mm DIAMETER HOLES ARE CHASSIS GROUND (16 HOLES).

THIS AREA DENOTES COMPONENTS KEEP OUT (TRACES ALLOWED)



CROSS-HATCH AREA DENOTES COMPONENTS AND TRACES KEEP OUT EXCEPT CHASSIS GROUND

REVISIONS

| REV. | ECN | DESCRIPTION | DATE | APPROVED |
|------|-----|-------------|-----------|----------|
| A | | PROPOSAL | MAR.27.14 | J.SI |

2X1 PCB LAYOUT

DO NOT SCALE DRAWING

THIS DOCUMENT CONTAINS PROPRIETARY INFORMATION AND SUCH INFORMATION MAY NOT BE DISCLOSED TO OTHERS FOR ANY PURPOSE OR USED FOR MANUFACTURING PURPOSES WITHOUT PERMISSION FROM AMPHENOL CANADA CORP.

| | | | | | | |
|--|--------|------------------|-----------|-------------|---|--------------------------------|
| UNLESS OTHERWISE SPECIFIED DIMENSIONS ARE IN MILLIMETERS TOLERANCES ARE: | | APPROVALS | | DATE | Amphenol High Speed Interconnects A Division of Amphenol Corp. www.amphenol-highspeed.com | |
| DECIMALS | ANGLES | DRAWN | Chigow Xu | MAR.27, 14 | | |
| X.X ± 0.25 | ± 1° | DESIGNED | X | X | TITLE 2X1N SFP COMBO WITH LP OPTION | |
| X.XX ± 0.15 | | CHECKED | J.SI | MAR.27, 14 | | |
| MATERIAL AND FINISH | | QA APP'D | X | X | | |
| SEE NOTE | | IE APP'D | X | X | | |
| REF. | X | DWG APP'D | J.SI | MAR.27, 14 | SIZE A4 | DWG. NO. P-UE86-DX127-XOXX1 |
| CODE IDENT. NO. | 03554 | | | | SCALE 1:1 | PROJECT |
| | | | | | | SHEET 4 OF 8 |

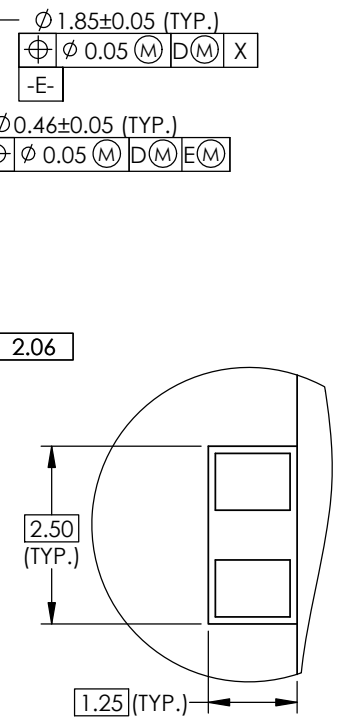
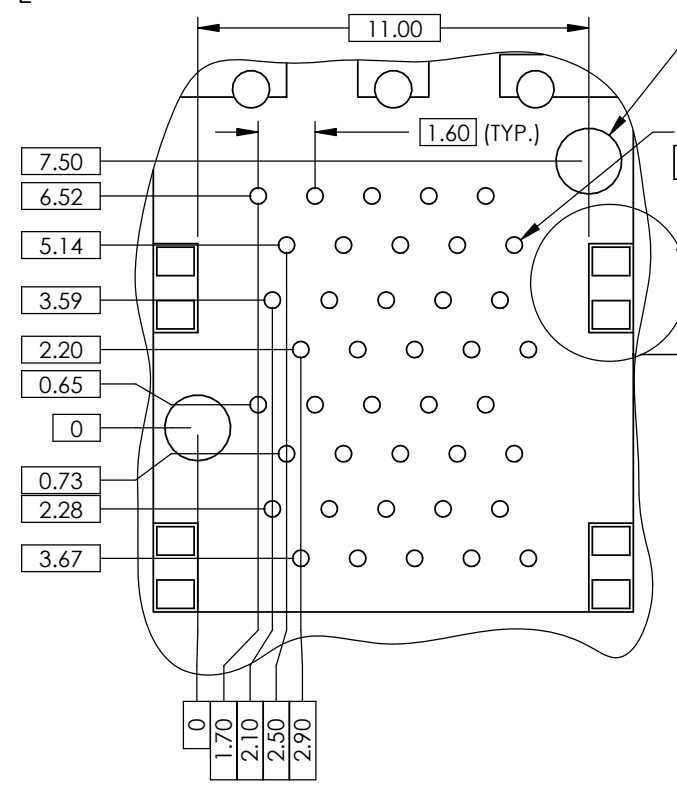
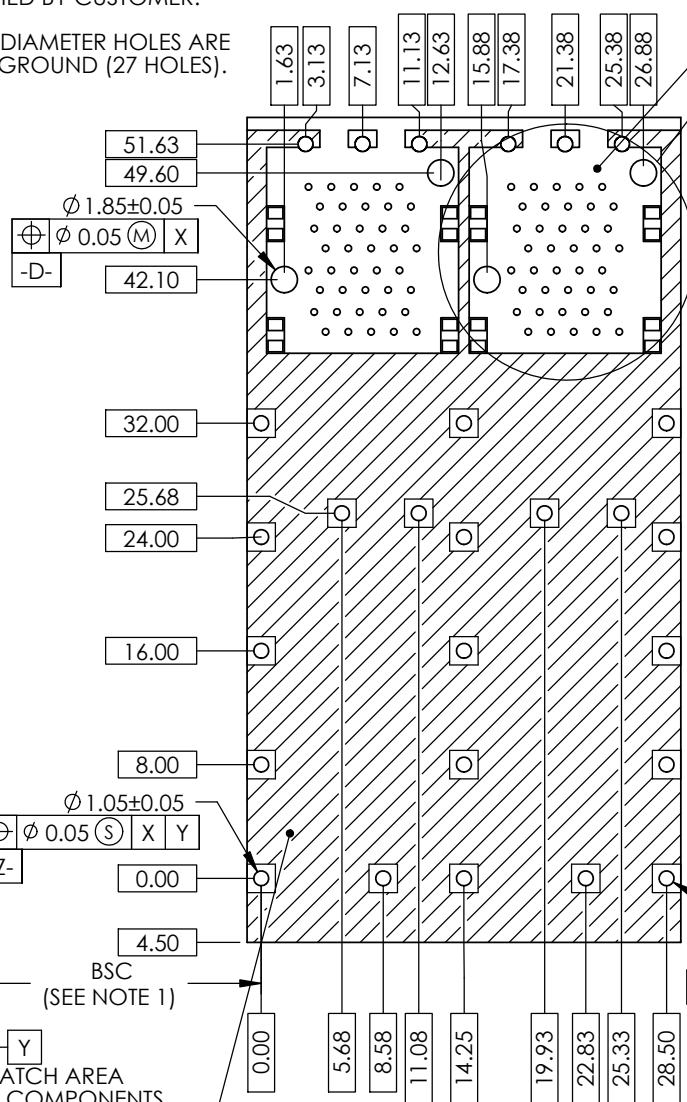
NOTES:

- DATUM AND BASIC DIMENSIONS ESTABLISHED BY CUSTOMER.
- 1.05 mm DIAMETER HOLES ARE CHASSIS GROUND (27 HOLES).

REVISIONS

| REV. | ECN | DESCRIPTION | DATE | APPROVED |
|------|-----|-------------|-----------|----------|
| A | | PROPOSAL | MAR.27.14 | J.SI |

THIS AREA DENOTES COMPONENTS KEEP OUT (TRACES ALLOWED)



DETAIL E
SCALE 5 : 1

DETAIL F
SCALE 10 : 1

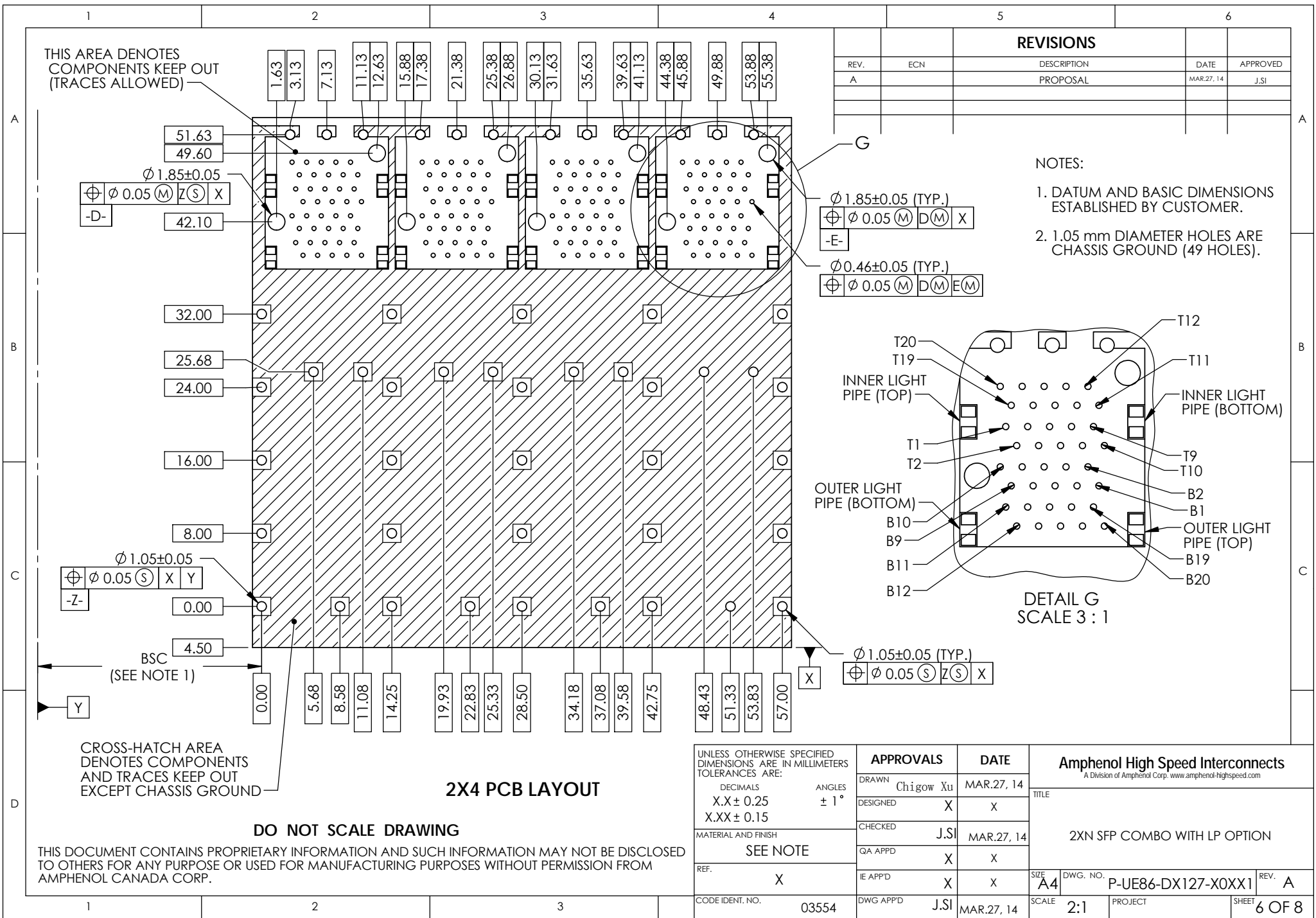
DO NOT SCALE DRAWING 2X2 PCB LAYOUT

CROSS-HATCH AREA DENOTES COMPONENTS AND TRACES KEEP OUT EXCEPT CHASSIS GROUND

THIS DOCUMENT CONTAINS PROPRIETARY INFORMATION AND SUCH INFORMATION MAY NOT BE DISCLOSED TO OTHERS FOR ANY PURPOSE OR USED FOR MANUFACTURING PURPOSES WITHOUT PERMISSION FROM AMPHENOL CANADA CORP.

| | | | |
|--|------------------|---|-------------|
| UNLESS OTHERWISE SPECIFIED DIMENSIONS ARE IN MILLIMETERS TOLERANCES ARE: DECIMALS X.X±0.25 X.XX±0.15 ANGLES ±1° | APPROVALS | | DATE |
| | DRAWN Chigow Xu | | MAR.27, 14 |
| MATERIAL AND FINISH SEE NOTE | DESIGNED | X | X |
| | CHECKED J.SI | | MAR.27, 14 |
| REF. X | QA APPD | X | X |
| | IE APPD | X | X |
| CODE IDENT. NO. 03554 | DWG APPD J.SI | | MAR.27, 14 |

| | | | |
|---|-----------------------------|--------------|--|
| Amphenol High Speed Interconnects A Division of Amphenol Corp. www.amphenol-highspeed.com | | | |
| TITLE 2XN SFP COMBO WITH LP OPTION | | | |
| SIZE A4 | DWG. NO. P-UE86-DX127-XOXX1 | REV. A | |
| SCALE 2:1 | PROJECT | SHEET 5 OF 8 | |



THIS AREA DENOTES COMPONENTS KEEP OUT (TRACES ALLOWED)

REVISIONS

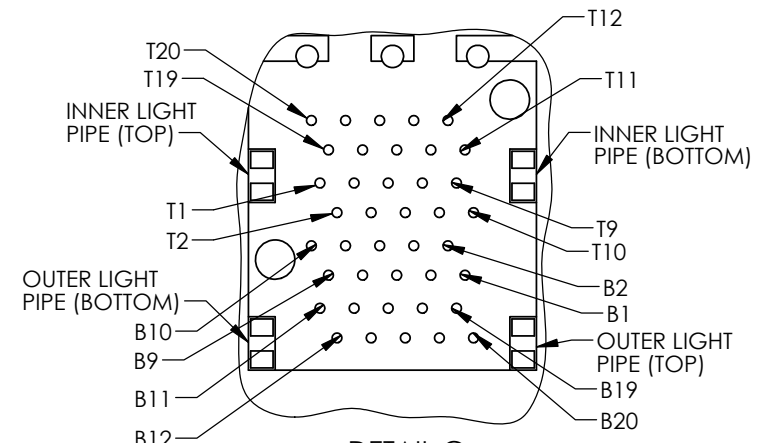
| REV. | ECN | DESCRIPTION | DATE | APPROVED |
|------|-----|-------------|-----------|----------|
| A | | PROPOSAL | MAR.27.14 | J.SI |

NOTES:

1. DATUM AND BASIC DIMENSIONS ESTABLISHED BY CUSTOMER.
2. 1.05 mm DIAMETER HOLES ARE CHASSIS GROUND (49 HOLES).

$\varnothing 1.85 \pm 0.05$ (TYP.)
 $\varnothing 0.05$ (M) (D) (M) (X)
 -E-

$\varnothing 0.46 \pm 0.05$ (TYP.)
 $\varnothing 0.05$ (M) (D) (M) (E) (M)



DETAIL G
SCALE 3:1

2X4 PCB LAYOUT

DO NOT SCALE DRAWING

THIS DOCUMENT CONTAINS PROPRIETARY INFORMATION AND SUCH INFORMATION MAY NOT BE DISCLOSED TO OTHERS FOR ANY PURPOSE OR USED FOR MANUFACTURING PURPOSES WITHOUT PERMISSION FROM AMPHENOL CANADA CORP.

UNLESS OTHERWISE SPECIFIED DIMENSIONS ARE IN MILLIMETERS TOLERANCES ARE:

DECIMALS ANGLES
 X.X ± 0.25 ± 1°
 X.XX ± 0.15

MATERIAL AND FINISH
 SEE NOTE

REF. X

CODE IDENT. NO. 03554

| APPROVALS | | DATE |
|-----------|-----------|-----------|
| DRAWN | Chigow Xu | MAR.27.14 |
| DESIGNED | X | X |
| CHECKED | J.SI | MAR.27.14 |
| QA APPD | X | X |
| IE APPD | X | X |
| DWG APPD | J.SI | MAR.27.14 |

| | | |
|--|--------------------------------|-----------------|
| Amphenol High Speed Interconnects <small>A Division of Amphenol Corp. www.amphenol-highspeed.com</small> | | |
| TITLE | | |
| 2XN SFP COMBO WITH LP OPTION | | |
| SIZE A4 | DWG. NO. P-UE86-DX127-XOXX1 | REV. A |
| SCALE 2:1 | PROJECT | SHEET 6 OF 8 |

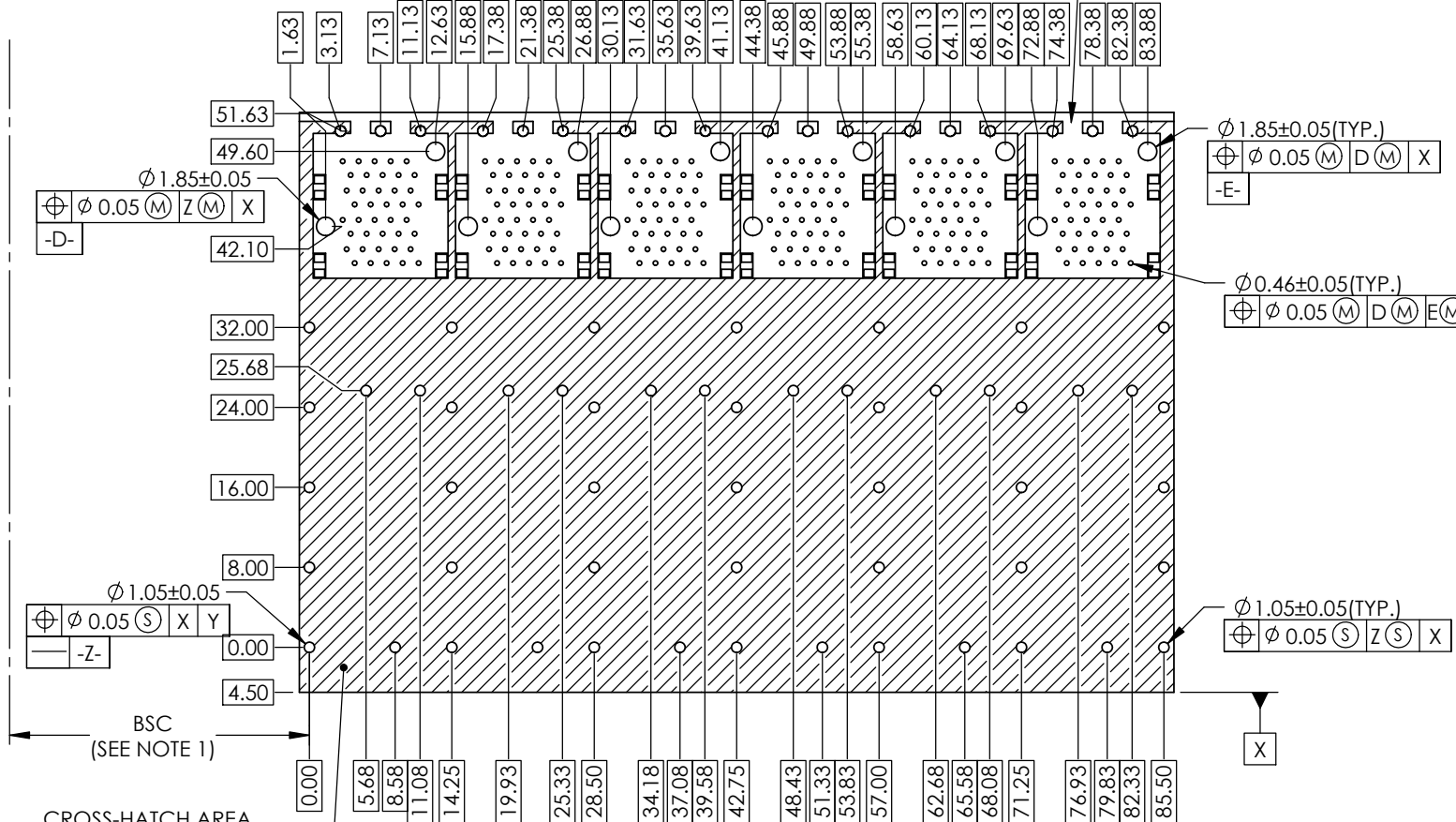
NOTES:

- DATUM AND BASIC DIMENSIONS ESTABLISHED BY CUSTOMER.
- 1.05 mm DIAMETER HOLES ARE CHASSIS GROUND (71 HOLES).

THIS AREA DENOTES COMPONENTS KEEP OUT (TRACES ALLOWED)

REVISIONS

| REV. | ECN | DESCRIPTION | DATE | APPROVED |
|------|-----|-------------|-----------|----------|
| A | | PROPOSAL | MAR.27.14 | J.SI |



CROSS-HATCH AREA DENOTES COMPONENTS AND TRACES KEEP OUT EXCEPT CHASSIS GROUND

2X6 PCB LAYOUT

DO NOT SCALE DRAWING

THIS DOCUMENT CONTAINS PROPRIETARY INFORMATION AND SUCH INFORMATION MAY NOT BE DISCLOSED TO OTHERS FOR ANY PURPOSE OR USED FOR MANUFACTURING PURPOSES WITHOUT PERMISSION FROM AMPHENOL CANADA CORP.

UNLESS OTHERWISE SPECIFIED DIMENSIONS ARE IN MILLIMETERS TOLERANCES ARE:

DECIMALS ANGLES
 X.X ± 0.25 ± 1°
 X.XX ± 0.15

MATERIAL AND FINISH

SEE NOTE

REF. X

CODE IDENT. NO. 03554

| APPROVALS | | DATE |
|-----------|-----------|-----------|
| DRAWN | Chigow Xu | MAR.27.14 |
| DESIGNED | X | X |
| CHECKED | J.SI | MAR.27.14 |
| QA APPD | X | X |
| IE APPD | X | X |
| DWG APPD | J.SI | MAR.27.14 |

| | |
|--|-----------------------------|
| Amphenol High Speed Interconnects A Division of Amphenol Corp. www.amphenol-highspeed.com | |
| TITLE | |
| 2XN SFP COMBO WITH LP OPTION | |
| SIZE A4 | DWG. NO. P-UE86-DX127-XOXX1 |
| SCALE 1:2 | PROJECT |
| REV. A | SHEET 7 OF 8 |

Компания «Life Electronics» занимается поставками электронных компонентов импортного и отечественного производства от производителей и со складов крупных дистрибьюторов Европы, Америки и Азии.

С конца 2013 года компания активно расширяет линейку поставок компонентов по направлению коаксиальный кабель, кварцевые генераторы и конденсаторы (керамические, пленочные, электролитические), за счёт заключения дистрибьюторских договоров

Мы предлагаем:

- Конкуренеспособные цены и скидки постоянным клиентам.
- Специальные условия для постоянных клиентов.
- Подбор аналогов.
- Поставку компонентов в любых объемах, удовлетворяющих вашим потребностям.
- Приемлемые сроки поставки, возможна ускоренная поставка.
- Доставку товара в любую точку России и стран СНГ.
- Комплексную поставку.
- Работу по проектам и поставку образцов.
- Формирование склада под заказчика.
- Сертификаты соответствия на поставляемую продукцию (по желанию клиента).
- Тестирование поставляемой продукции.
- Поставку компонентов, требующих военную и космическую приемку.
- Входной контроль качества.
- Наличие сертификата ISO.

В составе нашей компании организован Конструкторский отдел, призванный помогать разработчикам, и инженерам.

Конструкторский отдел помогает осуществить:

- Регистрацию проекта у производителя компонентов.
- Техническую поддержку проекта.
- Защиту от снятия компонента с производства.
- Оценку стоимости проекта по компонентам.
- Изготовление тестовой платы монтаж и пусконаладочные работы.



Тел: +7 (812) 336 43 04 (многоканальный)

Email: org@lifeelectronics.ru