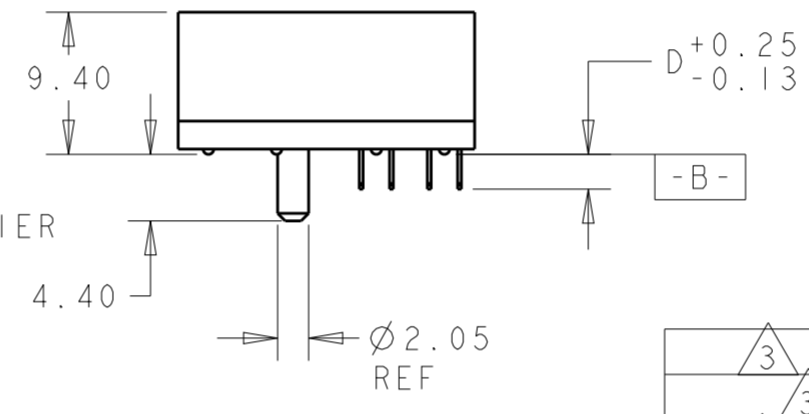
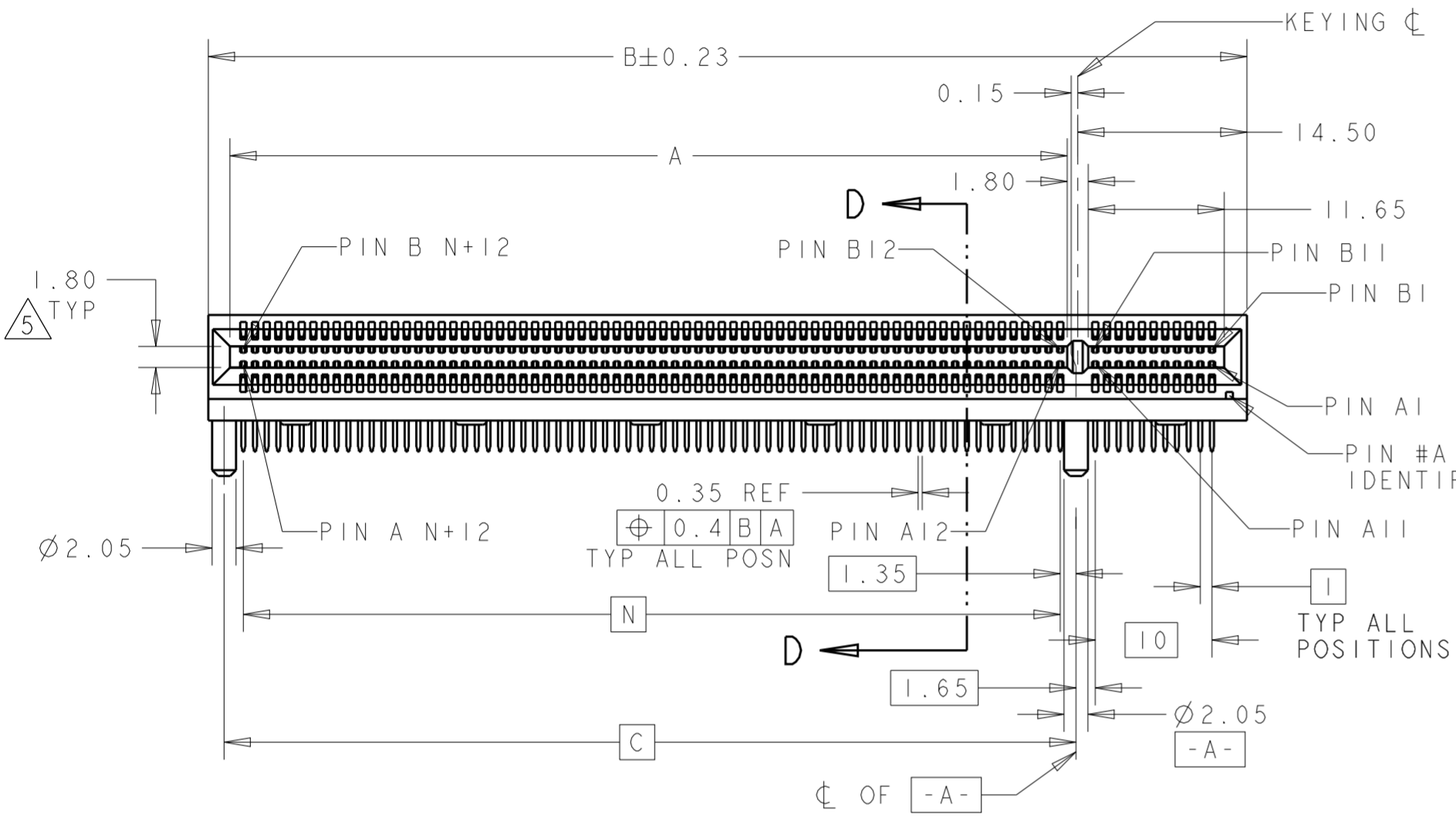
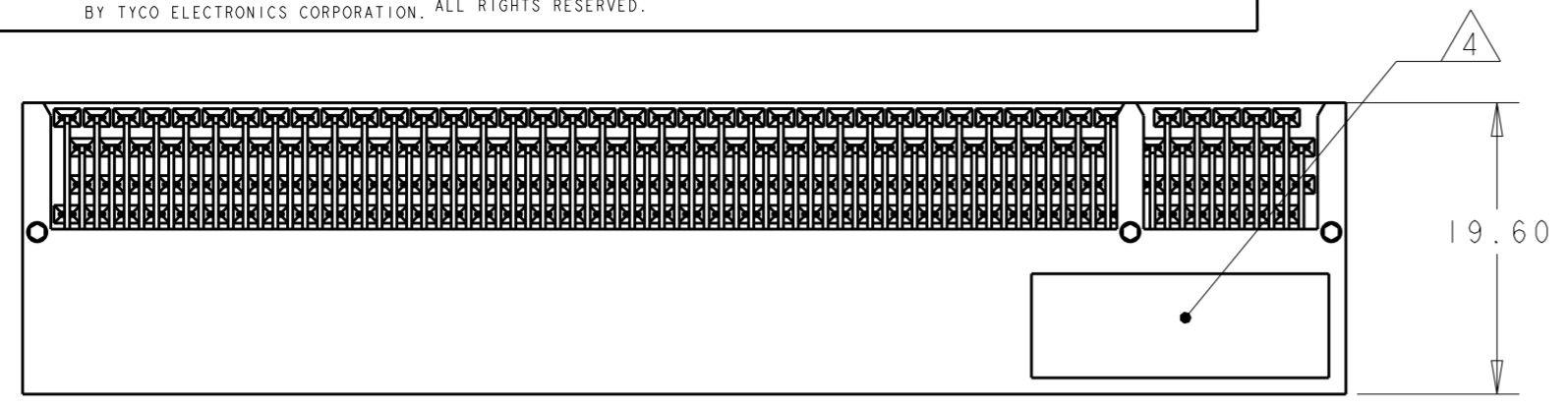
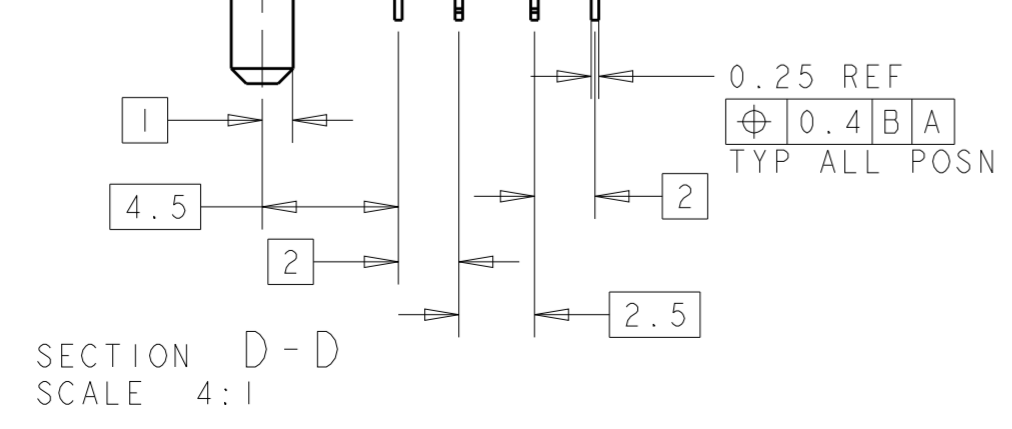
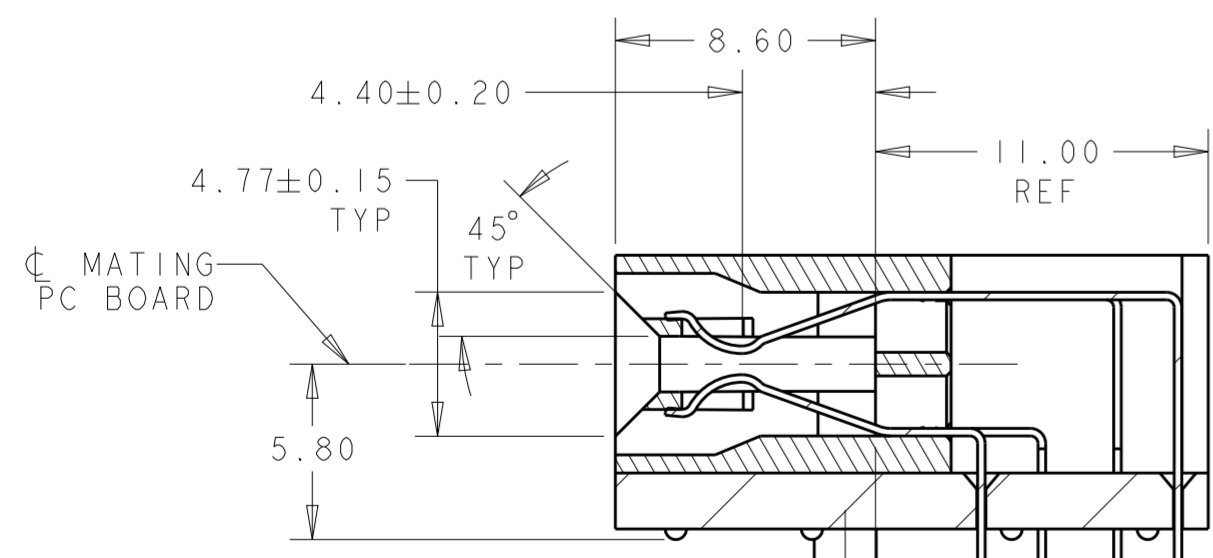
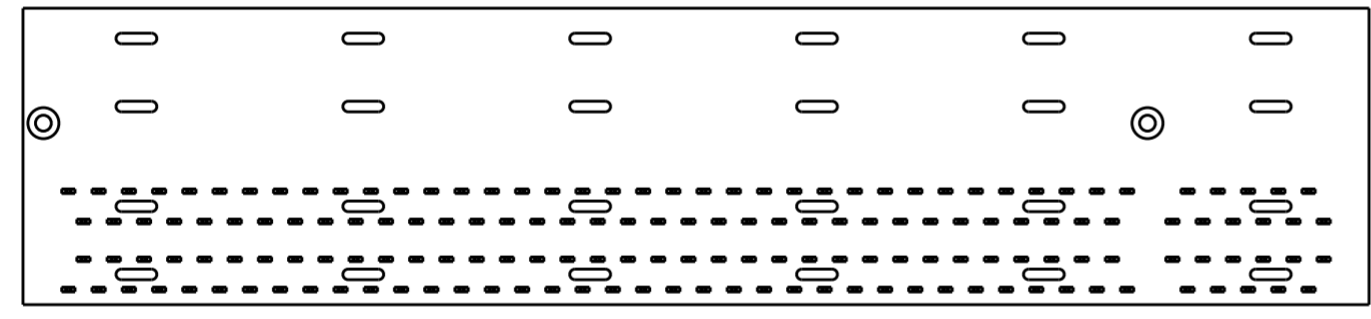


THIS DRAWING IS UNPUBLISHED. RELEASED FOR PUBLICATION 20
 © COPYRIGHT 20 BY TYCO ELECTRONICS CORPORATION. ALL RIGHTS RESERVED.

LOC	DIST	REVISIONS					
GP	00	P	LTR	DESCRIPTION	DATE	DWN	APVD
		A		RELEASED PER ECO-09-016675	07AUG2009	CR	PR
		B		REVISED PER ECO-10-.013513	29JUN2010	CJV	PAR
		C		REVISED PER ECO-15-015156	14MAR2016	FL	SY



- 1 MATERIAL: HOUSING: HIGH TEMP NYLON, UL 94V-0
 COLOR: BLACK
 TINE PLATE: LCP, UL 94V-0,
 COLOR: BLACK.
 CONTACT: PHOSPHOR BRONZE
- 2 FINISH: CONTACT AREA: GOLD PLATE 0.76µm MIN THICK OVER NICKEL UNDERPLATE.
 TINE AREA: TIN PLATE OVER NICKEL UNDERPLATE.
- 3 FINISH: CONTACT AREA: GOLD PLATE 0.38µm MIN THICK OVER NICKEL UNDERPLATE.
 TINE AREA: TIN PLATE OVER NICKEL UNDERPLATE.
- 4 COMPANY LOGO IN APPROXIMATE AREA SHOWN.
- 5 SLOT ACCEPTS STANDARD 1.57mm±10% THICK ADD-IN CARD.



FINISH	N	E	D	C	B	A	POSN	PORT	PART NO
3	128.00	130.15	3.56	131.15	147.00	129.65	280	-	5-1761465-5
3	70.00	72.15	3.56	73.15	89.00	71.65	164	16	5-1761465-4
3	37.00	39.15	3.56	40.15	56.00	38.65	98	8	5-1761465-3
3	20.00	22.15	3.56	23.15	39.00	21.65	64	4	5-1761465-2
3	6.00	8.15	3.56	9.15	25.00	7.65	36	1	5-1761465-1
2	128.00	130.15	3.56	131.15	147.00	129.65	280	-	4-1761465-5
2	70.00	72.15	3.56	73.15	89.00	71.65	164	16	4-1761465-4
2	37.00	39.15	3.56	40.15	56.00	38.65	98	8	4-1761465-3
2	20.00	22.15	3.56	23.15	39.00	21.65	64	4	4-1761465-2
2	6.00	8.15	3.56	9.15	25.00	7.65	36	1	4-1761465-1
3	128.00	130.15	3.10	131.15	147.00	129.65	280	-	3-1761465-5
3	70.00	72.15	3.10	73.15	89.00	71.65	164	16	3-1761465-4
3	37.00	39.15	3.10	40.15	56.00	38.65	98	8	3-1761465-3
3	20.00	22.15	3.10	23.15	39.00	21.65	64	4	3-1761465-2
3	6.00	8.15	3.10	9.15	25.00	7.65	36	1	3-1761465-1
3	128.00	130.15	2.30	131.15	147.00	129.65	280	-	2-1761465-5
3	70.00	72.15	2.30	73.15	89.00	71.65	164	16	2-1761465-4
3	37.00	39.15	2.30	40.15	56.00	38.65	98	8	2-1761465-3
3	20.00	22.15	2.30	23.15	39.00	21.65	64	4	2-1761465-2
3	6.00	8.15	2.30	9.15	25.00	7.65	36	1	2-1761465-1
2	128.00	130.15	3.10	131.15	147.00	129.65	280	-	1-1761465-5
2	70.00	72.15	3.10	73.15	89.00	71.65	164	16	1-1761465-4
2	37.00	39.15	3.10	40.15	56.00	38.65	98	8	1-1761465-3
2	20.00	22.15	3.10	23.15	39.00	21.65	64	4	1-1761465-2
2	6.00	8.15	3.10	9.15	25.00	7.65	36	1	1-1761465-1
2	128.00	130.15	2.30	131.15	147.00	129.65	280	-	1761465-5
2	70.00	72.15	2.30	73.15	89.00	71.65	164	16	1761465-4
2	37.00	39.15	2.30	40.15	56.00	38.65	98	8	1761465-3
2	20.00	22.15	2.30	23.15	39.00	21.65	64	4	1761465-2
2	6.00	8.15	2.30	9.15	25.00	7.65	36	1	1761465-1

THIS DRAWING IS A CONTROLLED DOCUMENT FOR TYCO ELECTRONICS CORPORATION. IT IS SUBJECT TO CHANGE AND THE CONTROLLING ENGINEERING ORGANIZATION SHOULD BE CONTACTED FOR THE LATEST REVISION.

DWN: R. TREA 09SEP2004
 CHK: D. DEFIBAUGH 09SEP2004
 APVD: D. DEFIBAUGH 09SEP2004

Tyco Electronics
 Tyco Electronics
 Harrisburg, PA 17105-3608

NAME: PCI EXPRESS CARD EDGE CONNECTOR ASSEMBLY
 RIGHT ANGLE, 5.8mm SLOT HEIGHT
 THROUGH HOLE, ExpressModule TYPE

SIZE: A2 CAGE CODE: 00779 DRAWING NO: C-1761465 RESTRICTED TO: -

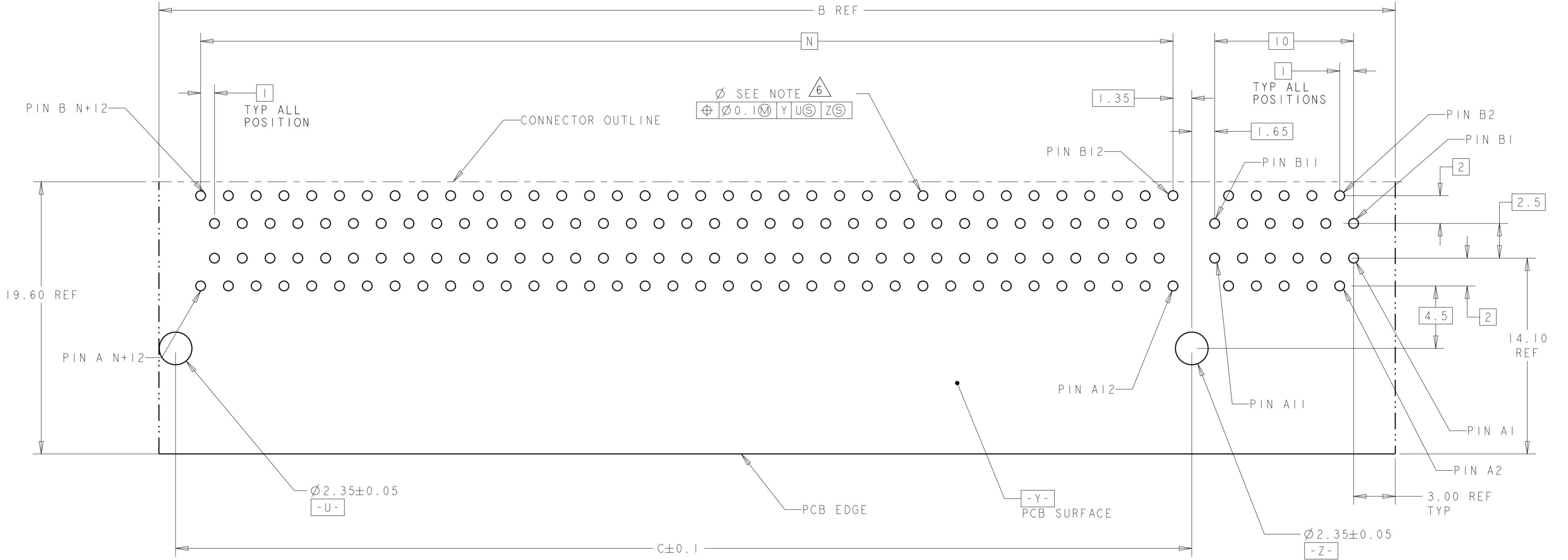
MATERIAL: FINISH: 1

PRODUCT SPEC: -
 APPLICATION SPEC: -
 WEIGHT: -

CUSTOMER DRAWING SCALE: 2:1 SHEET 1 OF 3 REV C

THIS DRAWING IS UNPUBLISHED. RELEASED FOR PUBLICATION 20
 © COPYRIGHT 20 BY TYCO ELECTRONICS CORPORATION. ALL RIGHTS RESERVED.

LOC	DIST	REVISIONS					
GP	00	P	LTR	DESCRIPTION	DATE	DWN	APVD
		-		SEE SHEET 1			



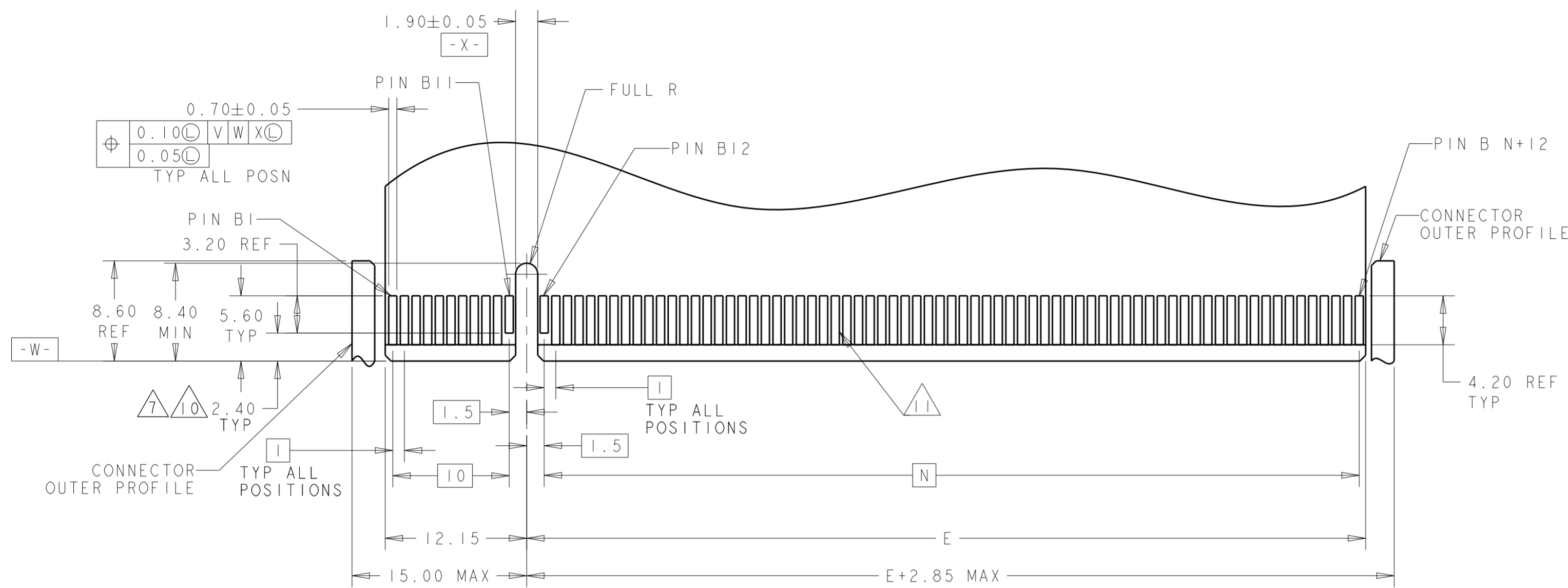
RIGHT ANGLE, ExpressModule
 PCB LAYOUT
 SCALE 5:1

6 MANUFACTURING TOLERANCE FOR Ø0.70±0.05 DIAMETER FINISHED HOLE WITH SnPB PLATING:
 DRILLED HOLE = Ø0.79±0.02
 COPPER PLATING = 0.025-0.050
 SnPB PLATING = 0.0038-0.0124
 OR Ø0.715±0.050 FINISHED HOLE WITHOUT SnPB PLATING
 DRILLED HOLE = Ø0.79±0.02
 COPPER PLATING = 0.025-0.050

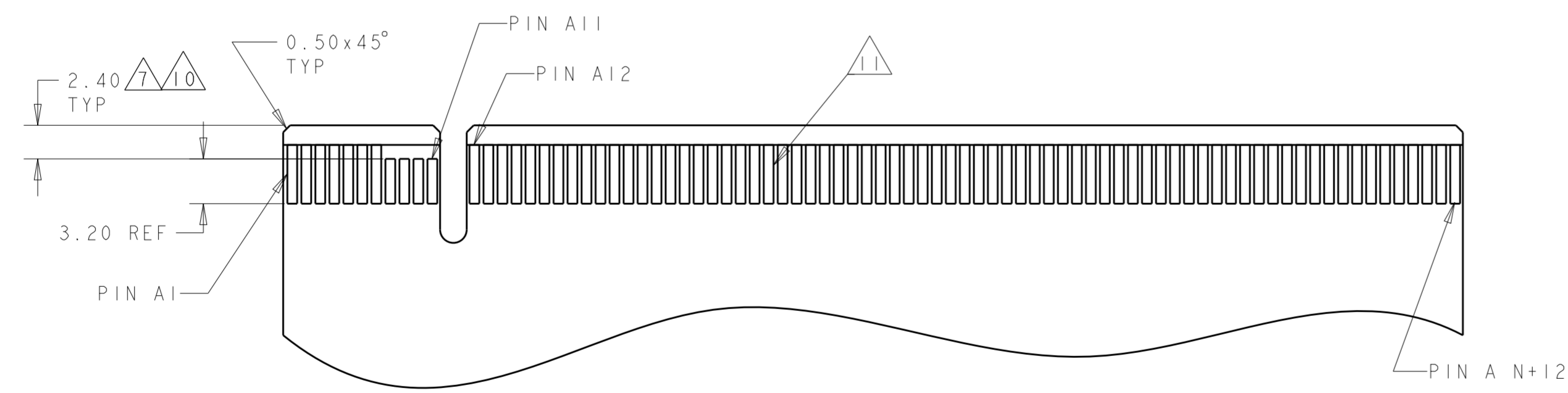
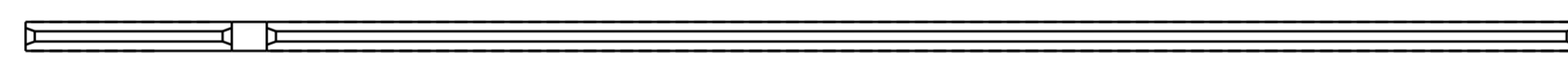
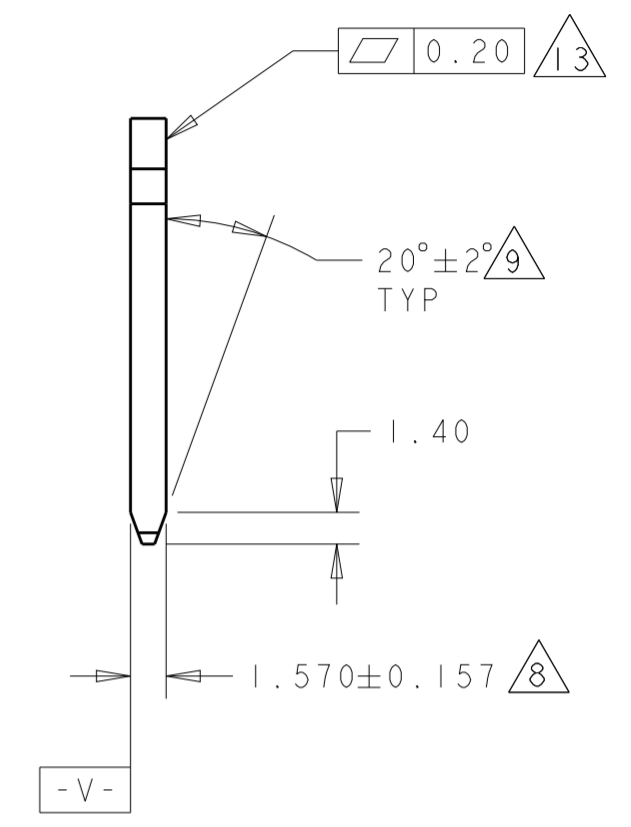
THIS DRAWING IS A CONTROLLED DOCUMENT FOR TYCO ELECTRONICS CORPORATION. IT IS SUBJECT TO CHANGE AND THE CONTROLLING ENGINEERING ORGANIZATION SHOULD BE CONTACTED FOR THE LATEST REVISION.		DWN R. TREA 09SEP2004	Tyco Electronics Harrisburg, PA 17105-3608	
DIMENSIONS: mm		CHK D. DEEIBAUGH 09SEP2004	NAME PCI EXPRESS CARD EDGE CONNECTOR ASSEMBLY RIGHT ANGLE, 5.8mm SLOT HEIGHT THROUGH HOLE, ExpressModule TYPE	
TOLERANCES UNLESS OTHERWISE SPECIFIED: 0 PLC ± 1 PLC ±0.5 2 PLC ±0.13 3 PLC ±0.013 4 PLC ± ANGLES ±2° FINISH		APVD D. DEEIBAUGH 09SEP2004	SIZE A2	
MATERIAL		PRODUCT SPEC APPLICATION SPEC	CAGE CODE 00779	DRAWING NO. C-1761465
		WEIGHT	RESTRICTED TO	
		CUSTOMER DRAWING	SCALE 4:1	SHEET 2 OF 3 REV C

THIS DRAWING IS UNPUBLISHED. RELEASED FOR PUBLICATION 20
 © COPYRIGHT 20 BY TYCO ELECTRONICS CORPORATION. ALL RIGHTS RESERVED.

LOC	DIST	REVISIONS					
GP	00	P	LTR	DESCRIPTION	DATE	DWN	APVD
		-		SEE SHEET 1			



SEE SHEET 1



- 7 DIMENSION ONLY APPLIES TO "LAST MATE" PINS.
- 8 CARD THICKNESS APPLIES ACROSS PAD SURFACES AND INCLUDES PLATING AND/OR METALIZATION.
- 9 CHAMFER EDGES MUST BE FREE OF CUTTING BURRS.
- 10 NO TIE BAR PERMITTED FROM CARD EDGE TO LEADING EDGE OF "LAST MATE" PADS.
- 11 GOLD CONTACT PADS: ELECTROLESS GOLD PLATE 0.76µm MIN THICK OVER ELECTROLESS NICKEL PLATING 2µm MIN THICK.
- 12. PC BOARD SUPPLIER IS RESPONSIBLE FOR MAINTAINING ALL DIMENSIONS OF PC BOARD EDGE.
- 13 FLATNESS REQUIREMENT APPLIES FROM EDGE OF PC BOARD TO TOP OF KEY

ExpressModule LAYOUT (MATING PART ONLY)

A1, B17, B31, B48, B81	280	-
A1, B17, B31, B48, B81	164	16
A1, B17, B31, B48	98	8
A1, B17, B31	64	4
A1, B17	36	1
LAST MATE PINS	POS.	PORT

THIS DRAWING IS A CONTROLLED DOCUMENT FOR TYCO ELECTRONICS CORPORATION. IT IS SUBJECT TO CHANGE AND THE CONTROLLING ENGINEERING ORGANIZATION SHOULD BE CONTACTED FOR THE LATEST REVISION.		DWN R. TREA 09SEP2004	Tyco Electronics Harrisburg, PA 17105-3608	
DIMENSIONS: mm		CHK D. DEFLAUGH 09SEP2004	NAME PCI EXPRESS CARD EDGE CONNECTOR ASSEMBLY RIGHT ANGLE, 5.8mm SLOT HEIGHT THROUGH HOLE, ExpressModule TYPE	
TOLERANCES UNLESS OTHERWISE SPECIFIED: 0 PLC ±0.5 1 PLC ±0.13 2 PLC ±0.13 3 PLC ±0.013 4 PLC ± ANGLES ±2° FINISH		APVD D. DEFLAUGH 09SEP2004	SIZE A2	
MATERIAL		PRODUCT SPEC -	CAGE CODE 00779	DRAWING NO C-1761465
-		APPLICATION SPEC -	RESTRICTED TO -	SCALE 4:1
-		WEIGHT -	SHEET 3 OF 3	
-		CUSTOMER DRAWING		REV C

Компания «Life Electronics» занимается поставками электронных компонентов импортного и отечественного производства от производителей и со складов крупных дистрибьюторов Европы, Америки и Азии.

С конца 2013 года компания активно расширяет линейку поставок компонентов по направлению коаксиальный кабель, кварцевые генераторы и конденсаторы (керамические, пленочные, электролитические), за счёт заключения дистрибьюторских договоров

Мы предлагаем:

- Конкурентоспособные цены и скидки постоянным клиентам.
- Специальные условия для постоянных клиентов.
- Подбор аналогов.
- Поставку компонентов в любых объемах, удовлетворяющих вашим потребностям.
- Приемлемые сроки поставки, возможна ускоренная поставка.
- Доставку товара в любую точку России и стран СНГ.
- Комплексную поставку.
- Работу по проектам и поставку образцов.
- Формирование склада под заказчика.
- Сертификаты соответствия на поставляемую продукцию (по желанию клиента).
- Тестирование поставляемой продукции.
- Поставку компонентов, требующих военную и космическую приемку.
- Входной контроль качества.
- Наличие сертификата ISO.

В составе нашей компании организован Конструкторский отдел, призванный помогать разработчикам, и инженерам.

Конструкторский отдел помогает осуществить:

- Регистрацию проекта у производителя компонентов.
- Техническую поддержку проекта.
- Защиту от снятия компонента с производства.
- Оценку стоимости проекта по компонентам.
- Изготовление тестовой платы монтаж и пусконаладочные работы.



Тел: +7 (812) 336 43 04 (многоканальный)
Email: org@lifeelectronics.ru