

### FEATURES

Precision 1.8 V to 5 V power supply monitoring

9 RESET threshold options

1.58 V to 4.63 V

4 RESET timeout options

1 ms, 20 ms, 140 ms, 1120 ms

3 watchdog timeout options

6.3 ms, 102 ms, 1.6 sec

RESET output stages

Push-pull active-low (ADM8616)

Open-drain active-low (ADM8617)

Low power consumption (5  $\mu$ A)

Guaranteed reset output valid to  $V_{CC} = 1$  V

Power supply glitch immunity

Specified over  $-40^{\circ}\text{C}$  to  $+85^{\circ}\text{C}$  temperature range

4-lead SC70 package

### APPLICATIONS

Microprocessor systems

Computers

Controllers

Intelligent instruments

Portable equipment

### GENERAL DESCRIPTION

The ADM8616/ADM8617 are supervisory circuits that monitor power supply voltage levels and code execution integrity in microprocessor-based systems. A power-on reset signal is generated when the supply voltage rises to a preset threshold level. The ADM8616/ADM8617 have an on-chip watchdog timer that can reset the microprocessor if it fails to strobe within a preset timeout period.

Each part is available in the following nine reset threshold options: 1.58 V, 1.67 V, 2.19 V, 2.32 V, 2.63 V, 2.93 V, 3.08 V, 4.38 V, and 4.63 V. There are four reset timeout options: 1 ms, 20 ms, 140 ms, and 1120 ms. There are also three possible watchdog timeouts available: 6.3 ms, 102 ms, and 1.6 sec.

### FUNCTIONAL BLOCK DIAGRAM

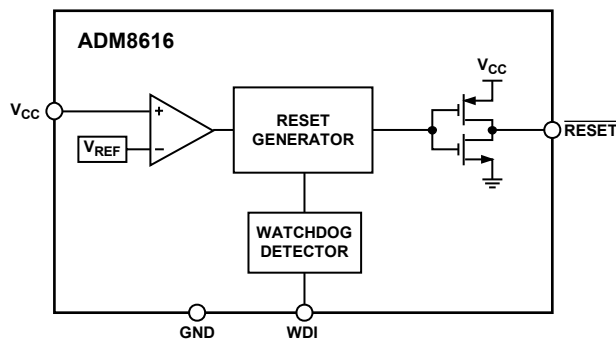


Figure 1.

04755-001

The parts differ in terms of reset output configuration. The ADM8616 is active-low with a push-pull output, while the ADM8617 is active-low with an open-drain output.

The ADM8616/ADM8617 are available in 4-lead SC70 packages and typically consume only 5  $\mu$ A, making them suitable for use in low power, portable applications.

#### Rev. B

Information furnished by Analog Devices is believed to be accurate and reliable. However, no responsibility is assumed by Analog Devices for its use, nor for any infringements of patents or other rights of third parties that may result from its use. Specifications subject to change without notice. No license is granted by implication or otherwise under any patent or patent rights of Analog Devices. Trademarks and registered trademarks are the property of their respective owners.

## TABLE OF CONTENTS

Features .....	1	Circuit Description.....	8
Applications.....	1	RESET Output .....	8
Functional Block Diagram .....	1	Watchdog Input .....	8
General Description .....	1	Application Information.....	9
Revision History .....	2	Watchdog Input Current .....	9
Specifications.....	3	Negative-Going $V_{CC}$ Transients .....	9
Absolute Maximum Ratings.....	4	Ensuring RESET Valid to $V_{CC} = 0 V$ .....	9
ESD Caution.....	4	Watchdog Software Considerations.....	9
Pin Configuration and Function Descriptions.....	5	Outline Dimensions .....	10
Typical Performance Characteristics .....	6	Ordering Guide .....	10

## REVISION HISTORY

### 1/07—Rev. A to Rev. B

Changes to Functional Block Diagram..... 1

### 11/06—Rev. 0 to Rev. A

Changes to Ordering Guide .....

### 6/05—Revision 0: Initial Version

## SPECIFICATIONS

$V_{CC}$  = full operating range,  $T_A$  =  $-40^{\circ}\text{C}$  to  $+85^{\circ}\text{C}$ , unless otherwise noted.

Table 1.

Parameter	Min	Typ	Max	Unit	Test Conditions/Comments
<b>SUPPLY</b>					
$V_{CC}$ Operating Voltage Range	1		5.5	V	
Supply Current		10	20	$\mu\text{A}$	$V_{CC} = 5.5\text{ V}$
		5	12	$\mu\text{A}$	$V_{CC} = 3.6\text{ V}$
<b>RESET THRESHOLD VOLTAGE</b>					
ADM861xL	4.50	4.63	4.75	V	
ADM861xM	4.25	4.38	4.50	V	
ADM861xT	3.00	3.08	3.15	V	
ADM861xS	2.85	2.93	3.00	V	
ADM861xR	2.55	2.63	2.70	V	
ADM861xZ	2.25	2.32	2.38	V	
ADM861xY	2.12	2.19	2.25	V	
ADM861xW	1.62	1.67	1.71	V	
ADM861xV	1.52	1.58	1.62	V	
<b>RESET THRESHOLD TEMPERATURE COEFFICIENT</b>		40		ppm/ $^{\circ}\text{C}$	
<b>RESET THRESHOLD HYSTERESIS</b>		$2 \times V_{TH}$		mV	
<b>RESET TIMEOUT PERIOD</b>					
ADM861xxA	1	1.4	2	ms	
ADM861xxB	20	28	40	ms	
ADM861xxC	140	200	280	ms	
ADM861xxD	1120	1600	2240	ms	
$V_{CC}$ TO RESET DELAY		40		$\mu\text{s}$	$V_{CC}$ falling at 1 mV/ $\mu\text{s}$
<b>RESET OUTPUT VOLTAGE</b>					
$V_{OL}$ (Open-Drain and Push-Pull)			0.3	V	$V_{CC} \geq 1.0\text{ V}$ , $I_{SINK} = 50\ \mu\text{A}$
			0.3	V	$V_{CC} \geq 1.2\text{ V}$ , $I_{SINK} = 100\ \mu\text{A}$
			0.3	V	$V_{CC} \geq 2.7\text{ V}$ , $I_{SINK} = 1.2\text{ mA}$
			0.4	V	$V_{CC} \geq 4.5\text{ V}$ , $I_{SINK} = 3.2\text{ mA}$
$V_{OH}$ (Push-Pull Only)	$0.8 \times V_{CC}$			V	$V_{CC} \geq 2.7\text{ V}$ , $I_{SOURCE} = 500\ \mu\text{A}$
	$V_{CC} - 1.5$			V	$V_{CC} \geq 4.5\text{ V}$ , $I_{SOURCE} = 800\ \mu\text{A}$
<b>RESET</b> Rise Time		5	25	ns	From 10% to 90% $V_{CC}$ , $C_L = 5\text{ pF}$ , $V_{CC} = 3.3\text{ V}$
Open-Drain <b>RESET</b> Output Leakage Current			1	$\mu\text{A}$	
<b>WATCHDOG INPUT</b>					
Watchdog Timeout Period					
ADM861xxxW	4.3	6.3	9.3	ms	
ADM861xxxX	71	102	153	ms	
ADM861xxxY	1.12	1.6	2.4	sec	
WDI Pulse Width	50			ns	
WDI Input Threshold				V	
$V_{IL}$			$0.3 \times V_{CC}$	V	$V_{IL} = 0.3 \times V_{CC}$ , $V_{IH} = 0.7 \times V_{CC}$
$V_{IH}$	$0.7 \times V_{CC}$			V	
WDI Input Current		120	160	$\mu\text{A}$	$V_{WDI} = V_{CC}$
	-20	-15		$\mu\text{A}$	$V_{WDI} = 0$

## ABSOLUTE MAXIMUM RATINGS

T<sub>A</sub> = 25°C, unless otherwise noted.

Table 2.

Parameter	Rating
V <sub>CC</sub>	–0.3 V to +6 V
RESET	–0.3 V to +6 V
Output Current (RESET)	20 mA
Operating Temperature Range	–40°C to +85°C
Storage Temperature Range	–65°C to +150°C
θ <sub>JA</sub> Thermal Impedance, SC70	146°C/W
Soldering Temperature	
Sn/Pb	240°C, 30 sec
Pb-Free	260°C, 40 sec

Stresses above those listed under Absolute Maximum Ratings may cause permanent damage to the device. This is a stress rating only; functional operation of the device at these or any other conditions above those indicated in the operational section of this specification is not implied. Exposure to absolute maximum rating conditions for extended periods may affect device reliability.

### ESD CAUTION



**ESD (electrostatic discharge) sensitive device.** Charged devices and circuit boards can discharge without detection. Although this product features patented or proprietary protection circuitry, damage may occur on devices subjected to high energy ESD. Therefore, proper ESD precautions should be taken to avoid performance degradation or loss of functionality.

## PIN CONFIGURATION AND FUNCTION DESCRIPTIONS

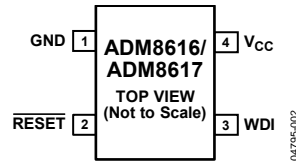


Figure 2. Pin Configuration

Table 3. Pin Function Descriptions

Pin No.	Mnemonic	Description
1	GND	Ground.
2	$\overline{\text{RESET}}$	Active-Low $\overline{\text{RESET}}$ Output. Asserted whenever $V_{CC}$ is below the reset threshold ( $V_{TH}$ ). Push-Pull Output Stage for ADM8616.
3	WDI	Open-Drain Output Stage for ADM8617. Watchdog Input. Generates a $\overline{\text{RESET}}$ if the logic level on the pin remains low or high for the duration of the watchdog timeout. The timer is cleared if a logic transition occurs on this pin, or if a reset is generated. Leave floating to disable the watchdog timer.
4	$V_{CC}$	Power Supply Voltage Being Monitored.

## TYPICAL PERFORMANCE CHARACTERISTICS

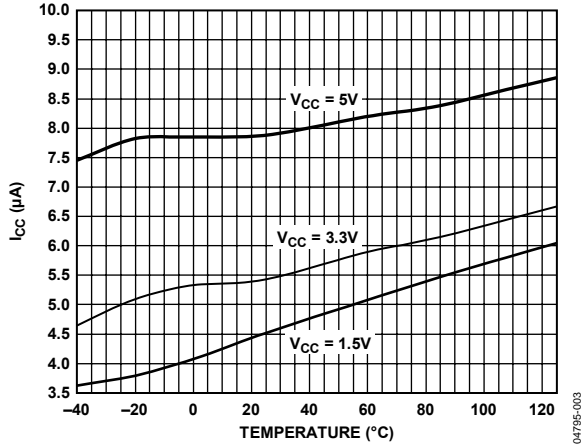


Figure 3. Supply Current vs. Temperature

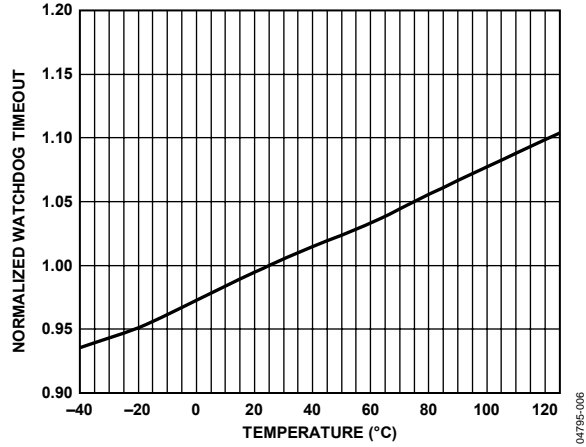


Figure 6. Normalized Watchdog Timeout Period vs. Temperature

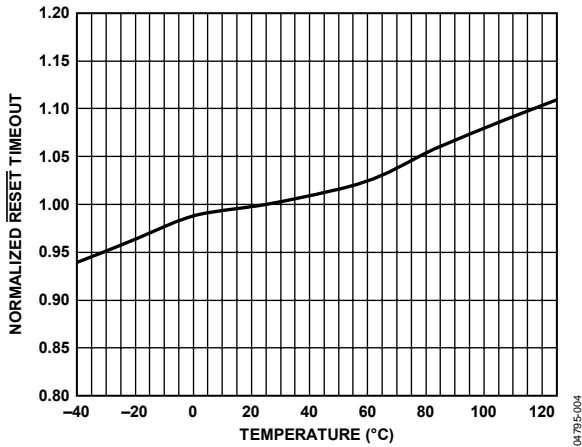


Figure 4. Normalized RESET Timeout Period vs. Temperature

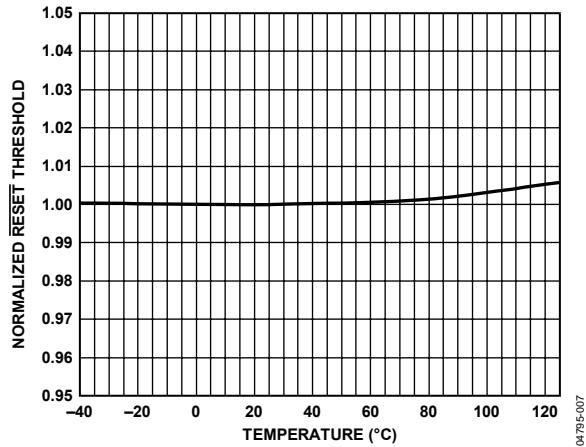


Figure 7. Normalized RESET Threshold vs. Temperature

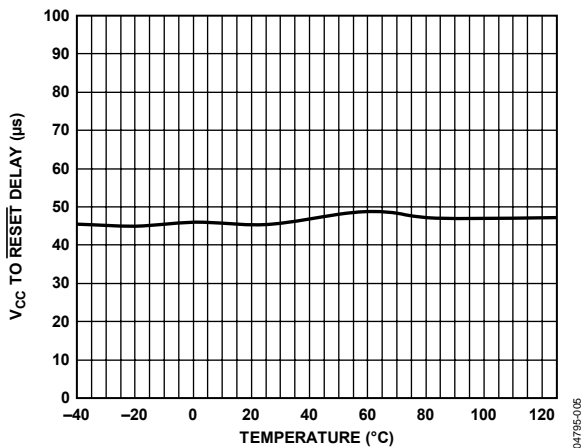


Figure 5. V<sub>CC</sub> to RESET Output Delay vs. Temperature

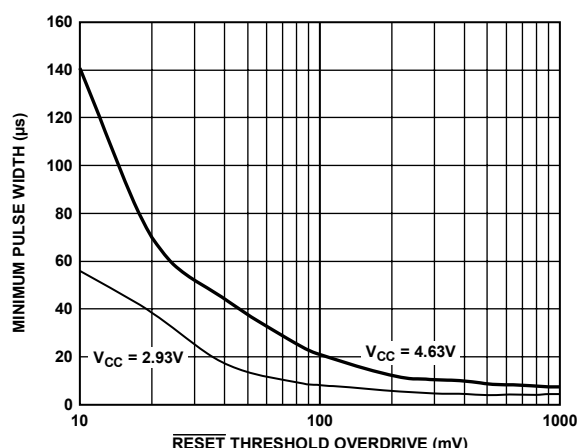


Figure 8. Maximum V<sub>CC</sub> Transient Duration vs. RESET Threshold Overdrive

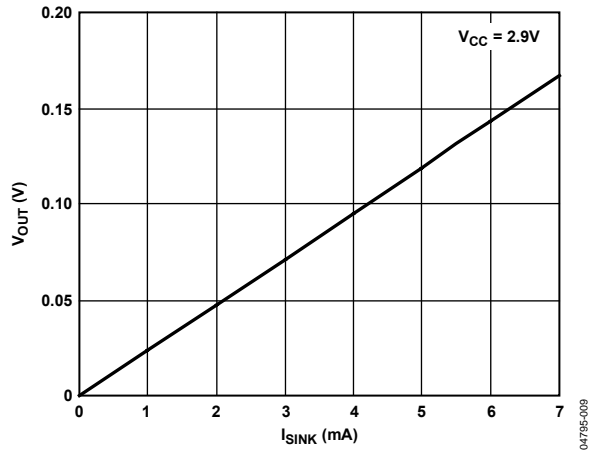


Figure 9. Voltage Output Low vs.  $I_{SINK}$

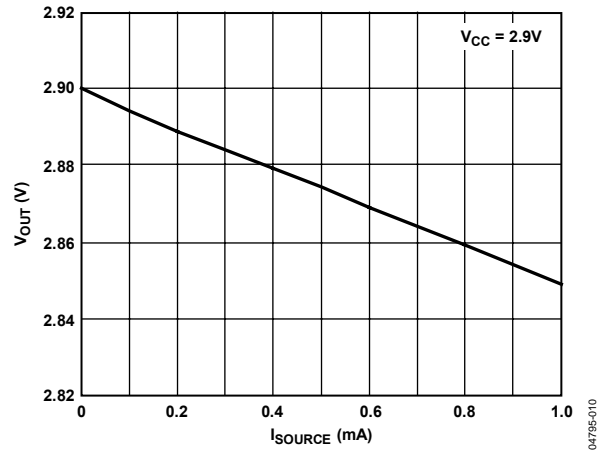


Figure 10. Voltage Output High vs.  $I_{SOURCE}$

## CIRCUIT DESCRIPTION

The ADM8616/ADM8617 provide microprocessor supply voltage supervision by controlling the microprocessors  $\overline{\text{RESET}}$  input. Code execution errors are avoided during power-up, power-down, and brownout conditions by asserting a  $\overline{\text{RESET}}$  signal when the supply voltage is below a preset threshold and by allowing supply voltage stabilization with a fixed timeout  $\overline{\text{RESET}}$  after the supply voltage rises above the threshold. In addition, problems with microprocessor code execution can be monitored and corrected with a watchdog timer. By including watchdog strobe instructions in microprocessor code, a watchdog timer can detect if the microprocessor code breaks down or becomes stuck in an infinite loop. If this happens, the watchdog timer asserts a  $\overline{\text{RESET}}$  pulse that restarts the microprocessor in a known state.

### RESET OUTPUT

The ADM8616 features an active-low, push-pull  $\overline{\text{RESET}}$  output, while the ADM8617 features an active-low, open-drain  $\overline{\text{RESET}}$  output. The  $\overline{\text{RESET}}$  signal is guaranteed to be logic low and logic high, respectively, for  $V_{CC}$  down to 1 V.

The  $\overline{\text{RESET}}$  output is asserted when  $V_{CC}$  is below the  $\overline{\text{RESET}}$  threshold ( $V_{TH}$ ), or when WDI is not serviced within the watchdog timeout period ( $t_{WD}$ ).  $\overline{\text{RESET}}$  remains asserted for the duration of the  $\overline{\text{RESET}}$  active timeout period ( $t_{RP}$ ) after  $V_{CC}$  rises above the  $\overline{\text{RESET}}$  threshold or after the watchdog timer times out. Figure 11 illustrates the behavior of the  $\overline{\text{RESET}}$  outputs.

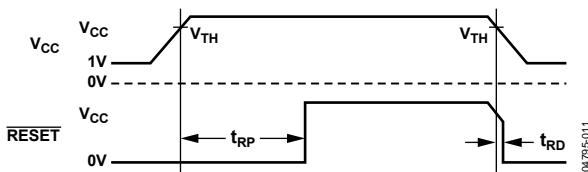


Figure 11.  $\overline{\text{RESET}}$  Timing Diagram

### WATCHDOG INPUT

The ADM8616/ADM8617 feature a watchdog timer that monitors microprocessor activity. A timer circuit is cleared with every low-to-high or high-to-low logic transition on the watchdog input pin (WDI), which detects pulses as short as 50 ns. If the timer counts through the preset watchdog timeout period ( $t_{WD}$ ),  $\overline{\text{RESET}}$  is asserted. The microprocessor is required to toggle the WDI pin to avoid being reset. Failure of the microprocessor to toggle WDI within the timeout period, therefore, indicates a code execution error, and the  $\overline{\text{RESET}}$  pulse generated restarts the microprocessor in a known state.

In addition to logic transitions on WDI, the watchdog timer is also cleared by a  $\overline{\text{RESET}}$  assertion due to an undervoltage condition on  $V_{CC}$ . When  $\overline{\text{RESET}}$  is asserted, the watchdog timer is cleared and does not begin counting again until  $\overline{\text{RESET}}$  deasserts. The watchdog timer can be disabled by leaving WDI floating or by three-stating the WDI driver.

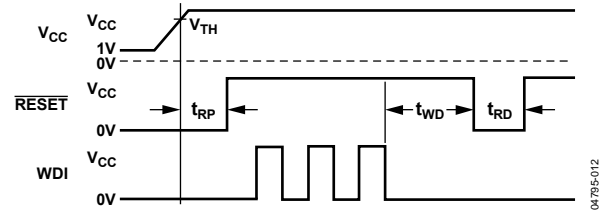


Figure 12. Watchdog Timing Diagram



## APPLICATION INFORMATION

### WATCHDOG INPUT CURRENT

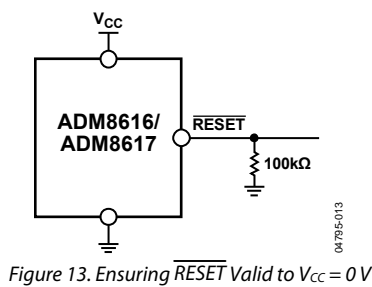
To minimize watchdog input current (and minimize overall power consumption), leave WDI low for the majority of the watchdog timeout period. When driven high, WDI can draw as much as 160  $\mu\text{A}$ . Pulsing WDI low-high-low at a low duty cycle reduces the effect of the large input current. When WDI is unconnected, a window comparator disconnects the watchdog timer from the  $\overline{\text{RESET}}$  output circuitry so that  $\overline{\text{RESET}}$  is not asserted when the watchdog timer times out.

### NEGATIVE-GOING $V_{CC}$ TRANSIENTS

To avoid unnecessary resets caused by fast power supply transients, the ADM8616/ADM8617 are equipped with glitch rejection circuitry. The typical performance characteristic in Figure 8 plots  $V_{CC}$  transient duration vs. transient magnitude. The curve shows combinations of transient magnitude and duration for which a  $\overline{\text{RESET}}$  is not generated for 4.63 V and 2.93 V reset threshold parts. For example, with the 2.93 V threshold, a transient that goes 100 mV below the threshold and lasts 8  $\mu\text{s}$  typically does not cause a  $\overline{\text{RESET}}$ , but if the transient is any bigger in magnitude or duration, a  $\overline{\text{RESET}}$  is generated. An optional 0.1  $\mu\text{F}$  bypass capacitor mounted close to  $V_{CC}$  provides additional glitch rejection.

### ENSURING RESET VALID TO $V_{CC} = 0\text{ V}$

The active-low  $\overline{\text{RESET}}$  output is guaranteed to be valid for  $V_{CC}$  as low as 1 V. However, by using an external resistor, valid outputs for  $V_{CC}$  as low as 0 V are possible. The resistor, connected between  $\overline{\text{RESET}}$  and ground, pulls the output low when it is unable to sink current. A large resistance, such as 100 k $\Omega$ , should be used so that it does not overload the  $\overline{\text{RESET}}$  output when  $V_{CC}$  is above 1 V.



### WATCHDOG SOFTWARE CONSIDERATIONS

In implementing the microprocessors watchdog strobe code, quickly switching WDI low to high and then high to low (minimizing WDI high time) is desirable for current consumption reasons. However, a more effective way of using the watchdog function can be considered.

A low-high-low WDI pulse within a given subroutine prevents the watchdog from timing out. However, if the subroutine becomes stuck in an infinite loop, the watchdog does not detect this because the subroutine continues to toggle WDI. A more effective coding scheme for detecting this error involves using a slightly longer watchdog timeout. In the program that calls the subroutine, WDI is set high. The subroutine sets WDI low when it is called. If the program executes without error, WDI is toggled high and low with every loop of the program. If the subroutine enters an infinite loop, WDI is kept low, the watchdog times out, and the microprocessor is reset.

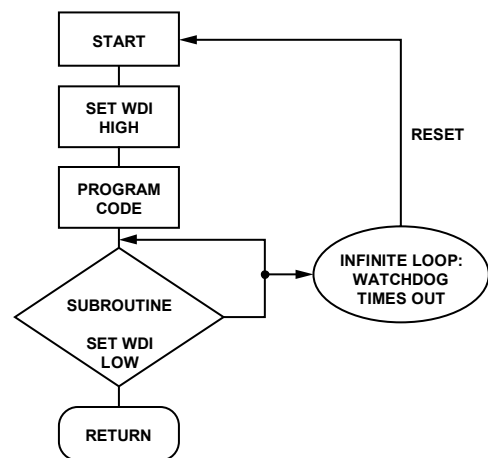


Figure 14. Watchdog Flow Diagram

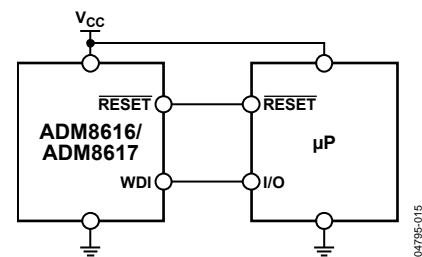
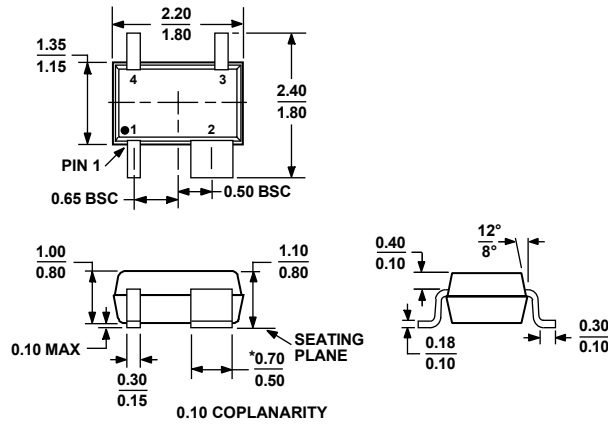


Figure 15. Typical Application Circuit

# ADM8616/ADM8617

## OUTLINE DIMENSIONS



\*PACKAGE OUTLINE CORRESPONDS IN FULL TO EIAJ SC82 EXCEPT FOR WIDTH OF PIN 2 AS SHOWN.

Figure 16. 4-Lead Thin Shrink Small Outline Transistor Package [SC70] (KS-4)  
Dimensions shown in millimeters

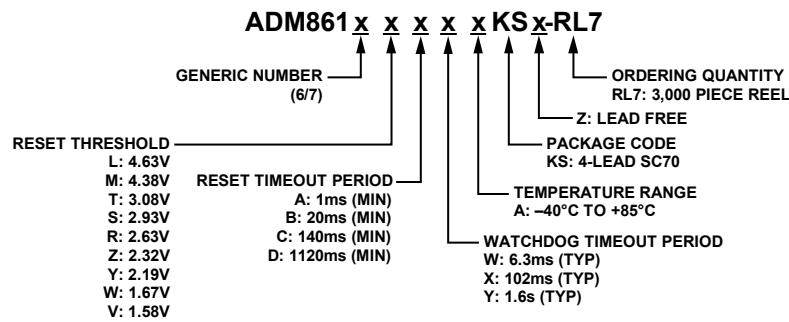


Figure 17. Ordering Code Structure

## ORDERING GUIDE

Model <sup>1</sup>	Reset Threshold (V)	Temperature Range	Quantity	Package Description	Package Option	Branding
ADM8616LCYAKSZ-RL7 <sup>2</sup>	4.63	-40°C to +85°C	3,000	4-Lead SC70	KS-4	N0F
ADM8616MCYAKSZ-RL7 <sup>2</sup>	4.38	-40°C to +85°C	3,000	4-Lead SC70	KS-4	N0F
ADM8616TCYAKSZ-RL7 <sup>2</sup>	3.08	-40°C to +85°C	3,000	4-Lead SC70	KS-4	N0F
ADM8616SCYAKSZ-RL7 <sup>2</sup>	2.93	-40°C to +85°C	3,000	4-Lead SC70	KS-4	N0F
ADM8616RCYAKSZ-RL7 <sup>2</sup>	2.63	-40°C to +85°C	3,000	4-Lead SC70	KS-4	N0F
ADM8616ZCYAKSZ-RL7 <sup>2</sup>	2.32	-40°C to +85°C	3,000	4-Lead SC70	KS-4	N0F
ADM8616YCYAKSZ-RL7 <sup>2</sup>	2.19	-40°C to +85°C	3,000	4-Lead SC70	KS-4	N0F
ADM8616WCYAKSZ-RL7 <sup>2</sup>	1.67	-40°C to +85°C	3,000	4-Lead SC70	KS-4	N0F
ADM8616VCYAKSZ-RL7 <sup>2</sup>	1.58	-40°C to +85°C	3,000	4-Lead SC70	KS-4	N0F
ADM8617SAYAKSZ-RL7 <sup>2</sup>	2.93	-40°C to +85°C	3,000	4-Lead SC70	KS-4	M4X
ADM8617RCYAKSZ-RL7 <sup>2</sup>	2.63	-40°C to +85°C	3,000	4-Lead SC70	KS-4	M4X

<sup>1</sup> If ordering nonstandard models, complete the ordering code shown in Figure 17 by inserting reset threshold, reset timeout, and watchdog timeout suffixes. Contact Sales for availability of nonstandard models.

<sup>2</sup> Z = Pb-free part.

**NOTES**

**NOTES**

Компания «Life Electronics» занимается поставками электронных компонентов импортного и отечественного производства от производителей и со складов крупных дистрибьюторов Европы, Америки и Азии.

С конца 2013 года компания активно расширяет линейку поставок компонентов по направлению коаксиальный кабель, кварцевые генераторы и конденсаторы (керамические, пленочные, электролитические), за счёт заключения дистрибьюторских договоров

Мы предлагаем:

- Конкурентоспособные цены и скидки постоянным клиентам.
- Специальные условия для постоянных клиентов.
- Подбор аналогов.
- Поставку компонентов в любых объемах, удовлетворяющих вашим потребностям.
- Приемлемые сроки поставки, возможна ускоренная поставка.
- Доставку товара в любую точку России и стран СНГ.
- Комплексную поставку.
- Работу по проектам и поставку образцов.
- Формирование склада под заказчика.
- Сертификаты соответствия на поставляемую продукцию (по желанию клиента).
- Тестирование поставляемой продукции.
- Поставку компонентов, требующих военную и космическую приемку.
- Входной контроль качества.
- Наличие сертификата ISO.

В составе нашей компании организован Конструкторский отдел, призванный помогать разработчикам, и инженерам.

Конструкторский отдел помогает осуществить:

- Регистрацию проекта у производителя компонентов.
- Техническую поддержку проекта.
- Защиту от снятия компонента с производства.
- Оценку стоимости проекта по компонентам.
- Изготовление тестовой платы монтаж и пусконаладочные работы.



Тел: +7 (812) 336 43 04 (многоканальный)

Email: [org@lifeelectronics.ru](mailto:org@lifeelectronics.ru)