



# CODE 54 - TINEL-LOCK BACKSHELL

**TXR54AB00-1608AI-S**

SERIES \_\_\_\_\_  
 TXR: RING INCLUDED  
 (SEE RING OPTION)  
 TX: RING NOT INCLUDED  
 CONNECTOR INTERFACE \_\_\_\_\_  
 MATERIAL \_\_\_\_\_  
 REFER TO CH00-0250-008  
 FINISH \_\_\_\_\_  
 REFER TO CH00-0250-008  
 ANGLE \_\_\_\_\_  
 DASH NUMBER (TABLE 1) \_\_\_\_\_  
 ENTRY SIZE (TABLE 2) \_\_\_\_\_  
 RING OPTION \_\_\_\_\_  
 AI - TO SUIT SINGLE BRAID  
 BI - TO SUIT DOUBLE BRAID  
 FOR TX, LEAVE BLANK  
 MODIFICATION CODE \_\_\_\_\_  
 REFER TO CH00-0250-008

## NOTES:

1. THIS PRODUCT IS DESIGNED TO TERMINATE A BRAIDED CABLE SHIELD AND A HEAT SHRINKABLE LIPPED BOOT TO A CONNECTOR.
2. FOR ADDITIONAL DIMENSIONS, ORDERING INFORMATION AND MODIFICATIONS, SEE CH00-0250-008.
3. SEE DRAWING TR FOR DETAIL ON TINEL-LOCK RING, RINGS ARE DESIGNED TO BE HEATED ELECTRICALLY, ALL RINGS ARE MARKED WITH THERMOCHROMIC PAINT WHICH CHANGES COLOUR WHEN INSTALLATION TEMPERATURE IS REACHED.
4. BACKSHELL TO BE PERMANENTLY MARKED/BAGGED AND LABELLED WITH CODE IDENTIFICATION NUMBER AND PART NUMBER LESS RING DESIGNATOR. (e.g. 06090-TXR54AB00-1206). RING SHALL BEAR NO MARKING.
5. FOR LARGER ENTRY SIZES, A 2 PIECE BACKSHELL ASSEMBLY (TYPE 2) IS SUPPLIED.
6. BACKSHELL MATES TO MIL-C-81703, SERIES III, MS3424, MS3446, MS3464, MS3467, MS3468
7. BACKSHELL MATES TO MIL-C-5015G, MS3400 SERIES, CLASS D, E, K, L, U & W, MS3400, MS3401, MS3404, MS3406 MS3424, MS3446, MS3464, MS3467, MS3468, MS3450, MS3451, MS3454, MS3456, MS3470, MS3471, MS3472, MS3474, MS3475, MS3476. MIL-C-83723, SERIES II, CLASS A & L. MIL-C-83723, SERIES I & II, CLASS A, G, K, R & S: M83723/1, /2, /3, /4, /5, /6, /7, /8, /13, /14, /36, /37, /38, /39, /40, /41, /42, /43, /48, /49, /65, /66, /67, /68, /69, /70, /71, /72, /73, /74, /75, /76, /77, /78, /82, /83, /84, /85, /86, /87, /91, /92, /95, /97, /98, (MS3155 CONTROLLED INTERFACE).
8. THESE DIMENSIONS APPLY IF A SELF-LOCKING COUPLING NUT IS USED.

|  |                           |             |                 |  |  |  |
|--|---------------------------|-------------|-----------------|--|--|--|
| <b>DRAWN</b>                                       | K.WINCZURA                | DATE        | 01/12/2014      | <br>3RD ANGLE PROJECTION NOT TO SCALE | <b>TITLE:</b><br><br><b>TINEL-LOCK BACKSHELL</b>   | <br><b>Polamco</b>            |
| <b>CHECKED</b>                                     |                           | DATE        | 01/12/2014      |  |  |  |
| <b>APPROVED</b>                                    | K.SHEPPARD                | DATE        | 04/12/2014      | UNLESS OTHERWISE SPECIFIED ALL DIMENSIONS IN MILLIMETRES<br><b>GENERAL TOL</b><br>LINEAR +/-0.25MM<br>ANGULAR +/- 1°     | <b>ASSY USED ON:</b><br><br>MIL-DTL-26482 SERIES II / MIL-DTL-83723 SERIES I & III   | <br><b>TE</b><br>connectivity |
| <b>APPROVED</b>                                    |                           |             |                 |  |  |  |
| <b>REVISIONS</b>                                   |                           |             |                 |  |  |  |
| <b>LTR</b>   | <b>DESCRIPTION</b>        | <b>DATE</b> | <b>APPROVED</b> |  |  |  |
| K  | REVISED PER ECO-15-002312 | 13.02.15    | H.SMITH         |  |  |  |
| L  | REVISED PER ECO-17-009011 | 21.06.17    | D.JONES         |  |  |  |
| TE CAGE CODE: 06090<br>POLAMCO/TE CAGE CODE: U5792 |                           |             |                 |  | TE CONNECTIVITY - POLAMCO LTD RESERVES THE RIGHT TO AMEND THIS DRAWING AND THE INFORMATION SET FORTH HEREON AT ANY TIME. USERS SHOULD INDEPENDENTLY EVALUATE THE SUITABILITY OF THE PRODUCT FOR THEIR APPLICATION. | <b>DRAWING NO:</b><br><b>TXR54</b>   |
|  |                           |             |                 |  | <b>DRAWING REV:</b><br><b>L</b>  | <b>SHT</b><br><b>1</b>   |



STAINLESS STEEL TEETH VIEW



STRAIGHT BACKSHELL - TYPE 1



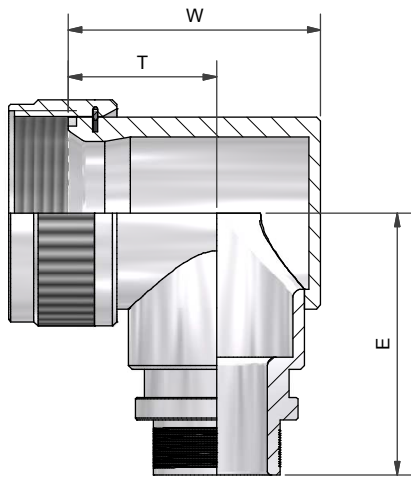
STRAIGHT BACKSHELL - TYPE 2



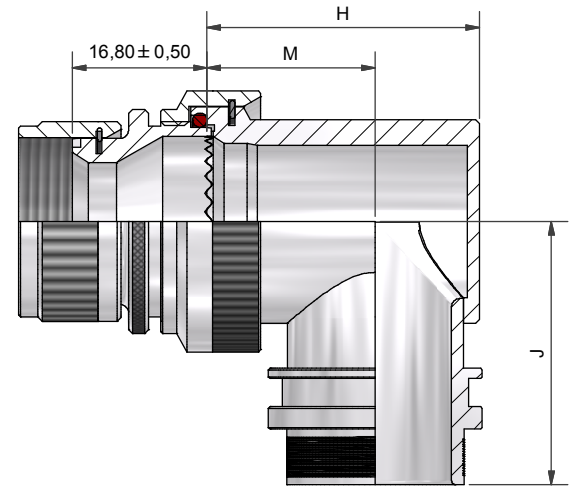
45° BACKSHELL - TYPE 1



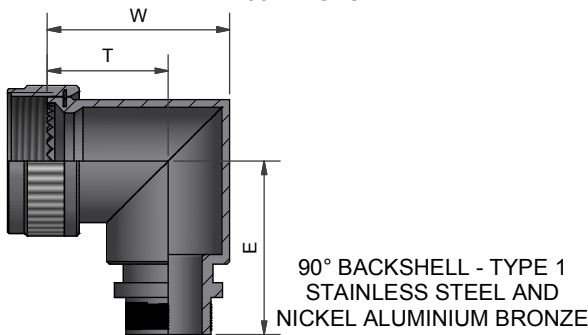
45° BACKSHELL - TYPE 2



90° BACKSHELL - TYPE 1



90° BACKSHELL - TYPE 2



90° BACKSHELL - TYPE 1  
STAINLESS STEEL AND  
NICKEL ALUMINIUM BRONZE



90° BACKSHELL - TYPE 2  
STAINLESS STEEL AND  
NICKEL ALUMINIUM BRONZE

|          |            |      |            |
|----------|------------|------|------------|
| DRAWN    | K.WINCZURA | DATE | 01/12/2014 |
| CHECKED  |            | DATE | 01/12/2014 |
| APPROVED | K.SHEPPARD | DATE | 04/12/2014 |
| APPROVED |            |      |            |

3RD ANGLE PROJECTION  
NOT TO SCALE

UNLESS OTHERWISE SPECIFIED  
ALL DIMENSIONS IN MILLIMETRES  
GENERAL TOL  
LINEAR +/-0.25MM  
ANGULAR +/- 1°

**TITLE:**  
TINEL-LOCK BACKSHELL

**ASSY USED ON:**  
MIL-DTL-26482 SERIES II / MIL-DTL-83723 SERIES I & III

| REVISIONS |                           |          |          |
|-----------|---------------------------|----------|----------|
| LTR       | DESCRIPTION               | DATE     | APPROVED |
| K         | REVISED PER ECO-15-002312 | 13.02.15 | H.SMITH  |
| L         | REVISED PER ECO-17-009011 | 21.06.17 | D.JONES  |

TE CAGE CODE: 06090  
POLAMCO/TE CAGE CODE: U5792

TE CONNECTIVITY - POLAMCO LTD RESERVES THE RIGHT TO AMEND THIS DRAWING AND THE INFORMATION SET FORTH HEREON AT ANY TIME. USERS SHOULD INDEPENDENTLY EVALUATE THE SUITABILITY OF THE PRODUCT FOR THEIR APPLICATION.

Polamco

TE connectivity

|             |              |     |
|-------------|--------------|-----|
| DRAWING NO: | DRAWING REV: | SHT |
| TXR54       | L            | 2   |

# MODIFICATION S (SELF-LOCKING COUPLING NUT)



BACKSHELL - TYPE 1

BACKSHELL - TYPE 2

TABLE 1

| ORDER NO. | SHELL SIZE |               | A THREAD       | ØB MAX | ØB MAX (8) | MAX ENTRY | C ±0,5 | D ±0,5 | W ±0,5 | T ±0,5 | E ±0,5 | THESE DIMENSIONS APPLY IF BACKSHELL IS STAINLESS STEEL OR NICKEL ALUMINIUM BRONZE |        |        |
|-----------|------------|---------------|----------------|--------|------------|-----------|--------|--------|--------|--------|--------|---|--------|--------|
|           | (6)        | (7)           |                |        |            |           |        |        |        |        |        | W ±0,5  | T ±0,5 | E ±0,5 |
| 03        | 3          |               | 9/16-24 UNEF   | 17,0   | 19,4       | 04        | 16,8   | 27,0   | 26,4   | 17,8   | 25,9   | 26,3  | 16,0   | 25,9   |
| 08        |            | 8 & 8S        | 1/2-20 UNF     | 15,6   | 18,0       | 04        | 16,6   | 26,8   | 24,5   | 17,5   | 26,2   | 22,4  | 17,5   | 26,2   |
| 10        |            | 10, 10S, 10SL | 5/8-24 UNEF    | 18,6   | 21,0       | 06        | 16,8   | 27,5   | 26,5   | 17,8   | 28,0   | 25,0  | 18,8   | 28,0   |
| 12        | 7          | 12 & 12S      | 3/4-20 UNEF    | 21,7   | 25,0       | 08        | 17,3   | 28,0   | 29,0   | 18,7   | 29,5   | 28,3  | 20,4   | 29,5   |
| 14        | 12         | 14 & 14S      | 7/8-20 UNEF    | 24,9   | 28,0       | 08        | 18,1   | 29,0   | 30,5   | 19,0   | 30,3   | 30,4  | 21,5   | 31,0   |
| 16        | 19         | 16 & 16S      | 1-20 UNEF      | 28,2   | 31,0       | 10        | 19,0   | 29,7   | 34,0   | 21,0   | 32,7   | 33,5  | 23,0   | 32,7   |
| 18        | 27         | 18            | 1 1/16-18 UNEF | 30,9   | 34,0       | 12        | 19,2   | 30,5   | 37,0   | 23,5   | 32,7   | 35,5  | 24,0   | 32,7   |
| 20        | 37         | 20            | 1 3/16-18 UNEF | 34,1   | 36,5       | 14        | 20,1   | 30,9   | 42,0   | 27,0   | 34,3   | 38,8  | 25,7   | 34,3   |
| 22        |            | 22            | 1 5/16-18 UNEF | 37,3   | 39,8       | 16        | 20,3   | 31,1   | 44,0   | 27,0   | 35,8   | 41,9  | 27,2   | 35,8   |
| 24        |            | 24            | 1 7/16-18 UNEF | 40,4   | 42,0       | 18        | 21,8   | 32,1   | 45,0   | 27,0   | 37,4   | 44,8  | 28,7   | 37,4   |
| 28        |            | 28            | 1 3/4-18UNS    | 50,0   | 49,8       | 22        | 23,3   | 32,5   | 54,2   | 31,4   | 41,9   | 50,7  | 31,6   | 41,9   |
| 32        |            | 32            | 2-18 UNS       | 56,3   | 57,2       | 24        | 25,0   | 29,3   | 60,9   | 36,4   | 45,3   | 60,0  | 33,5   | 45,3   |
| 36        |            | 36            | 2 1/4-16 UN    | 62,7   | 63,6       | 28        | 26,2   | 30,7   | 67,2   | 38,0   | 48,4   | 65,5  | 36,0   | 48,4   |
| 40        |            | 40            | 2 1/2-16 UN    | 69,0   | 70,0       | 28        | 28,6   | 32,0   | 73,2   | 41,0   | 51,4   | 72,0  | 39,3   | 51,4   |
| 44        |            | 44            | 2 3/4-16 UN    | 75,4   | 75,4       | 28        | 30,1   | 33,7   | 79,5   | 44,1   | 54,6   | 75,5  | 40,8   | 54,6   |
| 48        |            | 48            | 3-16UN         | 81,7   | 81,7       | 28        | 31,3   | 34,9   | 85,8   | 47,2   | 57,7   | 75,5  | 40,8   | 57,7   |
| 61        | 61         |               | 1 1/2-18 UNEF  | 42,0   | 43,6       | 18        | 22,1   | 26,6   | 47,8   | 28,0   | 38,7   | 48,3  | 27,0   | 38,7   |

TABLE 2

| ENTRY SIZE | ØZ MIN | ØS            | ØY ± 0,3 | ØK MAX | ØK MAX (8) | F ±0,5 | G ±0,5 | H ±0,5 | M ±0,5 | J ±0,5 | THESE DIMENSIONS APPLY IF BACKSHELL IS STAINLESS STEEL OR NICKEL ALUMINIUM BRONZE |        |        |    |
|------------|--------|---------------|----------|--------|------------|--------|--------|--------|--------|--------|---|--------|--------|----|
|            |        |               |          |        |            |        |        |        |        |        | H ±0,5  | M ±0,5 | J ±0,5 |    |
| 04         | 6,35   | 9,49 +/-0,04  | 14,00    | NA     | NA         | NA     | NA     | NA     | NA     | NA     | NA  | NA     | NA     | NA |
| 05         | 7,92   | 11,06 +/-0,04 | 15,50    | 21,0   | 24,6       | 12,5   | 27,5   | 24,0   | 15,5   | 27,95  | 24,3  | 17,2   | 28,2   |    |
| 06         | 9,53   | 12,66 +/-0,04 | 17,10    | 21,0   | 24,6       | 12,5   | 27,5   | 24,0   | 15,5   | 27,95  | 24,3  | 17,2   | 28,2   |    |
| 07         | 11,10  | 14,21 +/-0,07 | 18,70    | 21,0   | 24,6       | 12,5   | 27,5   | 24,0   | 15,5   | 27,95  | 24,3  | 17,2   | 28,2   |    |
| 08         | 12,70  | 15,81 +/-0,07 | 20,30    | 24,5   | 28,3       | 13,1   | 28,0   | 27,0   | 17,0   | 29,45  | 28,3  | 19,4   | 29,7   |    |
| 10         | 15,88  | 18,96 +/-0,08 | 23,50    | 29,0   | 32,4       | 13,5   | 29,0   | 31,0   | 19,5   | 31,00  | 31,1  | 21,0   | 31,2   |    |
| 12         | 19,05  | 22,14 +/-0,08 | 26,70    | 32,5   | 35,6       | 14,5   | 29,7   | 34,0   | 21,0   | 32,70  | 34,2  | 22,8   | 32,9   |    |
| 14         | 22,23  | 25,30 +/-0,08 | 29,80    | 35,5   | 38,5       | 15,5   | 30,5   | 35,0   | 20,0   | 34,25  | 38,5  | 25,3   | 34,5   |    |
| 16         | 25,40  | 28,48 +/-0,08 | 33,00    | 37,0   | 41,7       | 16,1   | 30,9   | 38,0   | 21,5   | 35,80  | 40,7  | 26,1   | 36,1   |    |
| 18         | 28,58  | 31,65 +/-0,08 | 36,20    | 40,0   | 43,9       | 16,5   | 31,1   | 42,0   | 24,0   | 37,40  | 43,7  | 27,6   | 37,6   |    |
| 20         | 31,75  | 34,83 +/-0,08 | 39,40    | 43,5   | 47,0       | 17,0   | 32,1   | 45,0   | 25,5   | 38,90  | 46,4  | 29,1   | 39,1   |    |
| 22         | 34,93  | 37,98 +/-0,08 | 42,50    | 48,5   | 50,0       | 18,5   | 35,3   | 54,5   | 31,0   | 42,00  | 50,0  | 31,0   | 42,0   |    |
| 24         | 38,10  | 41,15 +/-0,08 | 45,70    | 52,1   | 56,0       | 21,9   | 38,1   | 58,0   | 33,0   | 46,00  | 53,5  | 33,0   | 46,0   |    |
| 28         | 44,45  | 47,50 +/-0,08 | 52,00    | 58,5   | 61,0       | 26,9   | 44,4   | 65,5   | 36,5   | 51,1   | 60,3  | 36,5   | 51,1   |    |

|          |            |      |            |  |  |
|----------|------------|------|------------|--|--|
| DRAWN    | K.WINCZURA | DATE | 01/12/2014 |  | 3RD ANGLE PROJECTION NOT TO SCALE  |
| CHECKED  |            | DATE | 01/12/2014 |  |  |
| APPROVED | K.SHEPPARD | DATE | 04/12/2014 |  | UNLESS OTHERWISE SPECIFIED ALL DIMENSIONS IN MILLIMETRES GENERAL TOL LINEAR +/-0,25MM ANGULAR +/- 1° |
| APPROVED |            |      |            |  |  |

**TITLE:**  
**TINEL-LOCK BACKSHELL**

**ASSY USED ON:**  
**MIL-DTL-26482 SERIES II / MIL-DTL-83723 SERIES I & III**



| REVISIONS |                           |          |          |
|-----------|---------------------------|----------|----------|
| LTR       | DESCRIPTION               | DATE     | APPROVED |
| K         | REVISED PER ECO-15-002312 | 13.02.15 | H.SMITH  |
| L         | REVISED PER ECO-17-009011 | 21.06.17 | D.JONES  |

TE CONNECTIVITY - POLAMCO LTD RESERVES THE RIGHT TO AMEND THIS DRAWING AND THE INFORMATION SET FORTH HEREON AT ANY TIME. USERS SHOULD INDEPENDENTLY EVALUATE THE SUITABILITY OF THE PRODUCT FOR THEIR APPLICATION.

|             |              |     |
|-------------|--------------|-----|
| DRAWING NO: | DRAWING REV: | SHT |
| TXR54       | L            | 3   |

TE CAGE CODE: 06090  
POLAMCO/TE CAGE CODE: U5792

Компания «Life Electronics» занимается поставками электронных компонентов импортного и отечественного производства от производителей и со складов крупных дистрибьюторов Европы, Америки и Азии.

С конца 2013 года компания активно расширяет линейку поставок компонентов по направлению коаксиальный кабель, кварцевые генераторы и конденсаторы (керамические, пленочные, электролитические), за счёт заключения дистрибьюторских договоров

Мы предлагаем:

- Конкурентоспособные цены и скидки постоянным клиентам.
- Специальные условия для постоянных клиентов.
- Подбор аналогов.
- Поставку компонентов в любых объемах, удовлетворяющих вашим потребностям.
- Приемлемые сроки поставки, возможна ускоренная поставка.
- Доставку товара в любую точку России и стран СНГ.
- Комплексную поставку.
- Работу по проектам и поставку образцов.
- Формирование склада под заказчика.
- Сертификаты соответствия на поставляемую продукцию (по желанию клиента).
- Тестирование поставляемой продукции.
- Поставку компонентов, требующих военную и космическую приемку.
- Входной контроль качества.
- Наличие сертификата ISO.

В составе нашей компании организован Конструкторский отдел, призванный помогать разработчикам, и инженерам.

Конструкторский отдел помогает осуществить:

- Регистрацию проекта у производителя компонентов.
- Техническую поддержку проекта.
- Защиту от снятия компонента с производства.
- Оценку стоимости проекта по компонентам.
- Изготовление тестовой платы монтаж и пусконаладочные работы.



Тел: +7 (812) 336 43 04 (многоканальный)

Email: [org@lifeelectronics.ru](mailto:org@lifeelectronics.ru)