

The S-8252 Series is a protection IC for 2-serial-cell lithium-ion / lithium polymer rechargeable batteries and includes high-accuracy voltage detection circuits and delay circuits.

The S-8252 Series is suitable for protecting 2-serial-cell rechargeable lithium-ion / lithium polymer battery packs from overcharge, overdischarge, and overcurrent.

## ■ Features

- High-accuracy voltage detection function for each cell
 

|  |                                    |   |
|--|------------------------------------|---|
| Overcharge detection voltage n (n = 1, 2)    | 3.550 V to 4.600 V (5 mV steps)    | Accuracy ±20 mV (Ta = +25°C)<br>Accuracy ±25 mV (Ta = -10°C to +60°C) |
| Overcharge release voltage n (n = 1, 2)      | 3.150 V to 4.600 V <sup>*1</sup>   | Accuracy ±30 mV   |
| Overdischarge detection voltage n (n = 1, 2) | 2.000 V to 3.000 V (10 mV steps)   | Accuracy ±50 mV   |
| Overdischarge release voltage n (n = 1, 2)   | 2.000 V to 3.400 V <sup>*2</sup>   | Accuracy ±100 mV  |
| Discharge overcurrent detection voltage      | 0.050 V to 0.400 V (10 mV steps)   | Accuracy ±10 mV   |
| Load short-circuiting detection voltage      | 0.500 V to 0.900 V (50 mV steps)   | Accuracy ±100 mV  |
| Charge overcurrent detection voltage         | -0.400 V to -0.050 V (25 mV steps) | Accuracy ±20 mV   |
  - Charge overcurrent detection function: Available, unavailable
  - Detection delay times are generated only by an internal circuit (external capacitors are unnecessary). Accuracy ±20%
  - High-withstand voltage (VM pin and CO pin: Absolute maximum rating = 28 V)
  - 0 V battery charge: Enabled, inhibited
  - Power-down function: Available, unavailable
  - Wide operation temperature range: Ta = -40°C to +85°C
  - Low current consumption
 

|                    |                          |
|--------------------|--------------------------|
| During operation:  | 8.0 μA max. (Ta = +25°C) |
| During power-down: | 0.1 μA max. (Ta = +25°C) |
  - Lead-free (Sn 100%), halogen-free
- \*1. Overcharge release voltage = Overcharge detection voltage – Overcharge hysteresis voltage  
(Overcharge hysteresis voltage n (n = 1, 2) can be selected as 0 V or from a range of 0.1 V to 0.4 V in 50 mV steps.)
- \*2. Overdischarge release voltage = Overdischarge detection voltage + Overdischarge hysteresis voltage  
(Overdischarge hysteresis voltage n (n = 1, 2) can be selected as 0 V or from a range of 0.1 V to 0.7 V in 100 mV steps.)

## ■ Applications

- Lithium-ion rechargeable battery pack
- Lithium polymer rechargeable battery pack

## ■ Packages

- SOT-23-6
- SNT-6A

■ **Block Diagram**



**Remark** All diodes shown in figure are parasitic diodes.

**Figure 1**

■ **Product Name Structure**

1. **Product name**



\*1. Refer to the tape drawing.

\*2. Refer to "3. Product name list".

2. **Packages**

**Table 1 Package Drawing Codes**

| Package Name | Dimension    | Tape         | Reel         | Land         |
|--------------|--------------|--------------|--------------|--------------|
| SOT-23-6     | MP006-A-P-SD | MP006-A-C-SD | MP006-A-R-SD | -            |
| SNT-6A       | PG006-A-P-SD | PG006-A-C-SD | PG006-A-R-SD | PG006-A-L-SD |

**3. Product name list**

**3.1 SOT-23-6**

**Table 2 (1 / 2)**

| Product Name    | Over-charge Detection Voltage [V <sub>CU</sub> ] | Over-charge Release Voltage [V <sub>CL</sub> ] | Over-discharge Detection Voltage [V <sub>DL</sub> ] | Over-discharge Release Voltage [V <sub>DU</sub> ] | Discharge Overcurrent Detection Voltage [V <sub>DIOV</sub> ] | Load Short-circuiting Detection Voltage [V <sub>SHORT</sub> ] | Charge Overcurrent Detection Voltage [V <sub>CIOV</sub> ] | 0 V Battery Charge | Power-down Function | Delay Time Combination <sup>1)</sup> |
|-----------------|--|--|---|---|--|---|---|--------------------|---------------------|--------------------------------------|
| S-8252AAA-M6T1U | 4.280 V  | 4.080 V  | 2.000 V   | 2.000 V   | 0.200 V  | 0.500 V   | -0.100 V  | Inhibited          | Available           | (1)                                  |
| S-8252AAB-M6T1U | 4.325 V  | 4.075 V  | 2.200 V   | 2.900 V   | 0.210 V  | 0.500 V   | -0.200 V  | Inhibited          | Available           | (1)                                  |
| S-8252AAC-M6T1U | 4.300 V  | 4.100 V  | 2.400 V   | 3.000 V   | 0.200 V  | 0.500 V   | -0.200 V  | Inhibited          | Available           | (1)                                  |
| S-8252AAD-M6T1U | 4.280 V  | 4.130 V  | 2.400 V   | 2.900 V   | 0.150 V  | 0.500 V   | -0.150 V  | Inhibited          | Available           | (1)                                  |
| S-8252AAE-M6T1U | 4.350 V  | 4.150 V  | 2.300 V   | 3.000 V   | 0.300 V  | 0.500 V   | -0.300 V  | Enabled            | Available           | (1)                                  |
| S-8252AAF-M6T1U | 4.350 V  | 4.100 V  | 2.400 V   | 3.000 V   | 0.150 V  | 0.500 V   | -0.150 V  | Enabled            | Available           | (1)                                  |
| S-8252AAG-M6T1U | 4.300 V  | 4.150 V  | 2.800 V   | 3.000 V   | 0.150 V  | 0.500 V   | -0.150 V  | Enabled            | Available           | (1)                                  |
| S-8252AAH-M6T1U | 4.250 V  | 4.100 V  | 3.000 V   | 3.000 V   | 0.200 V  | 0.500 V   | -0.200 V  | Enabled            | Available           | (1)                                  |
| S-8252AAI-M6T1U | 3.650 V  | 3.450 V  | 2.000 V   | 2.700 V   | 0.200 V  | 0.500 V   | -0.200 V  | Enabled            | Unavailable         | (1)                                  |
| S-8252AAJ-M6T1U | 3.900 V  | 3.500 V  | 2.000 V   | 2.500 V   | 0.200 V  | 0.500 V   | -0.200 V  | Enabled            | Unavailable         | (1)                                  |
| S-8252AAK-M6T1U | 4.350 V  | 4.150 V  | 2.300 V   | 3.000 V   | 0.200 V  | 0.500 V   | -0.200 V  | Enabled            | Available           | (1)                                  |
| S-8252AAL-M6T1U | 4.200 V  | 4.050 V  | 2.500 V   | 3.000 V   | 0.200 V  | 0.500 V   | -0.200 V  | Inhibited          | Available           | (1)                                  |
| S-8252AAO-M6T1U | 4.250 V  | 4.100 V  | 2.500 V   | 3.000 V   | 0.200 V  | 0.500 V   | -0.100 V  | Inhibited          | Available           | (1)                                  |
| S-8252AAP-M6T1U | 4.350 V  | 4.150 V  | 2.200 V   | 2.900 V   | 0.200 V  | 0.500 V   | -0.400 V  | Inhibited          | Available           | (1)                                  |
| S-8252AAQ-M6T1U | 4.300 V  | 4.100 V  | 2.600 V   | 3.000 V   | 0.400 V  | 0.500 V   | -0.400 V  | Inhibited          | Available           | (1)                                  |
| S-8252AAR-M6T1U | 4.300 V  | 4.100 V  | 2.600 V   | 3.000 V   | 0.400 V  | 0.500 V   | -   | Inhibited          | Available           | (3)                                  |
| S-8252AAS-M6T1U | 4.250 V  | 4.050 V  | 2.500 V   | 3.000 V   | 0.200 V  | 0.500 V   | -0.200 V  | Enabled            | Unavailable         | (1)                                  |
| S-8252AAT-M6T1U | 4.250 V  | 4.100 V  | 2.700 V   | 3.000 V   | 0.120 V  | 0.500 V   | -0.050 V  | Enabled            | Available           | (1)                                  |
| S-8252AAU-M6T1U | 4.275 V  | 4.075 V  | 2.500 V   | 2.900 V   | 0.300 V  | 0.500 V   | -0.100 V  | Enabled            | Available           | (1)                                  |
| S-8252AAV-M6T1U | 4.400 V  | 4.250 V  | 2.500 V   | 2.900 V   | 0.150 V  | 0.500 V   | -0.100 V  | Enabled            | Available           | (1)                                  |
| S-8252AAW-M6T1U | 4.350 V  | 4.150 V  | 2.300 V   | 3.000 V   | 0.200 V  | 0.500 V   | -0.400 V  | Inhibited          | Available           | (1)                                  |
| S-8252AAX-M6T1U | 4.230 V  | 4.030 V  | 2.750 V   | 3.050 V   | 0.150 V  | 0.500 V   | -0.100 V  | Inhibited          | Available           | (1)                                  |
| S-8252AAY-M6T1U | 4.250 V  | 4.050 V  | 3.000 V   | 3.200 V   | 0.150 V  | 0.500 V   | -0.050 V  | Inhibited          | Available           | (2)                                  |
| S-8252AAZ-M6T1U | 4.225 V  | 4.075 V  | 2.400 V   | 2.900 V   | 0.150 V  | 0.500 V   | -0.150 V  | Inhibited          | Available           | (1)                                  |
| S-8252ABA-M6T1U | 4.300 V  | 4.150 V  | 3.000 V   | 3.100 V   | 0.100 V  | 0.500 V   | -0.150 V  | Enabled            | Available           | (1)                                  |
| S-8252ABB-M6T1U | 4.300 V  | 4.100 V  | 2.000 V   | 2.000 V   | 0.120 V  | 0.500 V   | -   | Enabled            | Available           | (3)                                  |
| S-8252ABC-M6T1U | 4.300 V  | 4.100 V  | 2.000 V   | 2.000 V   | 0.055 V  | 0.500 V   | -   | Enabled            | Available           | (3)                                  |
| S-8252ABD-M6T1U | 4.300 V  | 4.100 V  | 2.400 V   | 3.000 V   | 0.200 V  | 0.500 V   | -0.200 V  | Inhibited          | Available           | (4)                                  |
| S-8252ABE-M6T1U | 4.225 V  | 4.075 V  | 2.400 V   | 2.900 V   | 0.100 V  | 0.500 V   | -0.100 V  | Inhibited          | Available           | (1)                                  |
| S-8252ABF-M6T1U | 4.300 V  | 4.100 V  | 2.400 V   | 2.400 V   | 0.100 V  | 0.500 V   | -0.100 V  | Enabled            | Available           | (1)                                  |
| S-8252ABG-M6T1U | 4.280 V  | 4.130 V  | 2.400 V   | 2.900 V   | 0.150 V  | 0.500 V   | -0.150 V  | Inhibited          | Unavailable         | (1)                                  |
| S-8252ABH-M6T1U | 4.300 V  | 4.100 V  | 2.400 V   | 2.400 V   | 0.150 V  | 0.500 V   | -0.150 V  | Enabled            | Available           | (1)                                  |
| S-8252ABI-M6T1U | 4.425 V  | 4.225 V  | 2.500 V   | 2.800 V   | 0.150 V  | 0.500 V   | -0.100 V  | Inhibited          | Unavailable         | (1)                                  |
| S-8252ABQ-M6T1U | 4.300 V  | 4.100 V  | 2.370 V   | 2.970 V   | 0.210 V  | 0.500 V   | -   | Inhibited          | Unavailable         | (3)                                  |
| S-8252ABR-M6T1U | 4.300 V  | 4.100 V  | 2.300 V   | 2.700 V   | 0.280 V  | 0.500 V   | -0.250 V  | Inhibited          | Available           | (1)                                  |
| S-8252ABS-M6T1U | 4.350 V  | 4.150 V  | 2.000 V   | 2.400 V   | 0.250 V  | 0.500 V   | -0.400 V  | Inhibited          | Available           | (1)                                  |
| S-8252ABT-M6T1U | 4.450 V  | 4.250 V  | 2.300 V   | 2.700 V   | 0.280 V  | 0.500 V   | -0.250 V  | Inhibited          | Available           | (1)                                  |
| S-8252ABU-M6T1U | 4.500 V  | 4.300 V  | 2.000 V   | 2.400 V   | 0.250 V  | 0.500 V   | -0.400 V  | Inhibited          | Available           | (1)                                  |
| S-8252ABV-M6T1U | 4.300 V  | 4.100 V  | 2.370 V   | 2.570 V   | 0.210 V  | 0.500 V   | -   | Inhibited          | Unavailable         | (3)                                  |
| S-8252ABW-M6T1U | 4.300 V  | 4.100 V  | 2.370 V   | 2.570 V   | 0.400 V  | 0.500 V   | -   | Inhibited          | Unavailable         | (3)                                  |
| S-8252ABX-M6T1U | 4.350 V  | 4.150 V  | 2.100 V   | 2.400 V   | 0.250 V  | 0.500 V   | -   | Inhibited          | Unavailable         | (3)                                  |
| S-8252ABY-M6T1U | 4.450 V  | 4.250 V  | 2.300 V   | 2.700 V   | 0.370 V  | 0.500 V   | -   | Inhibited          | Unavailable         | (3)                                  |
| S-8252ABZ-M6T1U | 4.500 V  | 4.300 V  | 2.000 V   | 2.400 V   | 0.200 V  | 0.500 V   | -   | Inhibited          | Unavailable         | (3)                                  |
| S-8252ACA-M6T1U | 4.300 V  | 4.150 V  | 2.800 V   | 3.000 V   | 0.150 V  | 0.500 V   | -0.100 V  | Enabled            | Available           | (5)                                  |
| S-8252ACB-M6T1U | 4.300 V  | 4.100 V  | 2.270 V   | 2.370 V   | 0.210 V  | 0.900 V   | -   | Inhibited          | Unavailable         | (3)                                  |

# BATTERY PROTECTION IC FOR 2-SERIAL-CELL PACK

## S-8252 Series

Rev.4.0\_00

**Table 2 (2 / 2)**

| Product Name    | Over-charge Detection Voltage [V <sub>CU</sub> ] | Over-charge Release Voltage [V <sub>CL</sub> ] | Over-discharge Detection Voltage [V <sub>DL</sub> ] | Over-discharge Release Voltage [V <sub>DU</sub> ] | Discharge Overcurrent Detection Voltage [V <sub>DIOV</sub> ] | Load Short-circuiting Detection Voltage [V <sub>SHORT</sub> ] | Charge Overcurrent Detection Voltage [V <sub>CIOV</sub> ] | 0 V Battery Charge | Power-down Function | Delay Time Combination*1 |
|-----------------|--|--|---|---|--|---|---|--------------------|---------------------|--------------------------|
| S-8252ACC-M6T1U | 4.300 V  | 4.100 V  | 2.280 V   | 2.380 V   | 0.250 V  | 0.900 V   | –   | Inhibited          | Unavailable         | (3)                      |
| S-8252ACE-M6T1U | 4.300 V  | 4.100 V  | 2.230 V   | 2.930 V   | 0.080 V  | 0.500 V   | –0.075 V  | Inhibited          | Available           | (1)                      |
| S-8252ACF-M6T1U | 4.225 V  | 4.075 V  | 2.400 V   | 2.900 V   | 0.190 V  | 0.500 V   | –0.100 V  | Inhibited          | Available           | (5)                      |
| S-8252ACI-M6T1U | 4.440 V  | 4.250 V  | 2.750 V   | 3.050 V   | 0.150 V  | 0.500 V   | –0.100 V  | Inhibited          | Available           | (1)                      |
| S-8252ACM-M6T1U | 4.375 V  | 4.225 V  | 2.800 V   | 3.000 V   | 0.130 V  | 0.500 V   | –0.075 V  | Inhibited          | Available           | (6)                      |
| S-8252ACN-M6T1U | 4.280 V  | 4.180 V  | 2.500 V   | 3.000 V   | 0.250 V  | 0.500 V   | –0.200 V  | Enabled            | Unavailable         | (7)                      |
| S-8252ACO-M6T1U | 4.300 V  | 4.100 V  | 2.300 V   | 2.700 V   | 0.280 V  | 0.500 V   | –0.125 V  | Inhibited          | Available           | (5)                      |
| S-8252ACP-M6T1U | 4.300 V  | 4.100 V  | 2.600 V   | 3.000 V   | 0.370 V  | 0.500 V   | –   | Inhibited          | Available           | (8)                      |
| S-8252ACQ-M6T1U | 4.200 V  | 4.000 V  | 2.600 V   | 3.000 V   | 0.300 V  | 0.500 V   | –   | Inhibited          | Available           | (3)                      |
| S-8252ACR-M6T1U | 4.250 V  | 4.050 V  | 2.200 V   | 2.600 V   | 0.300 V  | 0.500 V   | –   | Inhibited          | Available           | (3)                      |
| S-8252ACS-M6T1U | 4.350 V  | 4.150 V  | 2.400 V   | 3.000 V   | 0.300 V  | 0.500 V   | –   | Inhibited          | Available           | (3)                      |
| S-8252ACT-M6T1U | 4.350 V  | 4.150 V  | 2.400 V   | 3.000 V   | 0.240 V  | 0.500 V   | –   | Inhibited          | Available           | (3)                      |
| S-8252ACU-M6T1U | 4.300 V  | 4.100 V  | 2.400 V   | 3.000 V   | 0.280 V  | 0.500 V   | –   | Inhibited          | Available           | (3)                      |
| S-8252ACV-M6T1U | 4.300 V  | 4.100 V  | 2.400 V   | 3.000 V   | 0.210 V  | 0.500 V   | –   | Inhibited          | Available           | (8)                      |
| S-8252ACW-M6T1U | 4.350 V  | 4.150 V  | 2.000 V   | 2.400 V   | 0.200 V  | 0.500 V   | –   | Inhibited          | Available           | (8)                      |
| S-8252ACX-M6T1U | 4.350 V  | 4.150 V  | 2.000 V   | 2.400 V   | 0.250 V  | 0.500 V   | –   | Inhibited          | Available           | (3)                      |
| S-8252ACY-M6T1U | 4.250 V  | 4.050 V  | 2.000 V   | 2.500 V   | 0.200 V  | 0.500 V   | –0.100 V  | Inhibited          | Available           | (7)                      |
| S-8252ADC-M6T1U | 3.900 V  | 3.500 V  | 2.000 V   | 2.500 V   | 0.200 V  | 0.500 V   | –0.200 V  | Inhibited          | Unavailable         | (1)                      |

\*1. Refer to **Table 4** about the details of the delay time combinations.

**Remark** Please contact our sales representatives for products other than the above.

**3.2 SNT-6A**

**Table 3**

| Product Name    | Over-charge Detection Voltage [V <sub>CU</sub> ] | Over-charge Release Voltage [V <sub>CL</sub> ] | Over-discharge Detection Voltage [V <sub>DL</sub> ] | Over-discharge Release Voltage [V <sub>DU</sub> ] | Discharge Overcurrent Detection Voltage [V <sub>DIOV</sub> ] | Load Short-circuiting Detection Voltage [V <sub>SHORT</sub> ] | Charge Overcurrent Detection Voltage [V <sub>CIOV</sub> ] | 0 V Battery Charge | Power-down Function | Delay Time Combination*1 |
|-----------------|--|--|---|---|--|---|---|--------------------|---------------------|--------------------------|
| S-8252AAA-I6T1U | 4.280 V  | 4.080 V  | 2.000 V   | 2.000 V   | 0.200 V  | 0.500 V   | -0.100 V  | Inhibited          | Available           | (1)                      |
| S-8252AAH-I6T1U | 4.250 V  | 4.100 V  | 3.000 V   | 3.000 V   | 0.200 V  | 0.500 V   | -0.200 V  | Enabled            | Available           | (1)                      |
| S-8252AAM-I6T1U | 4.250 V  | 4.050 V  | 2.400 V   | 3.000 V   | 0.100 V  | 0.500 V   | -0.100 V  | Enabled            | Available           | (1)                      |
| S-8252AAN-I6T1U | 4.325 V  | 4.075 V  | 2.200 V   | 2.900 V   | 0.210 V  | 0.500 V   | -0.100 V  | Enabled            | Available           | (1)                      |
| S-8252AAY-I6T1U | 4.250 V  | 4.050 V  | 3.000 V   | 3.200 V   | 0.150 V  | 0.500 V   | -0.050 V  | Inhibited          | Available           | (2)                      |
| S-8252ABJ-I6T1U | 4.300 V  | 4.100 V  | 2.400 V   | 3.000 V   | 0.210 V  | 0.500 V   | -0.250 V  | Inhibited          | Available           | (1)                      |
| S-8252ABK-I6T1U | 4.350 V  | 4.150 V  | 2.300 V   | 2.900 V   | 0.160 V  | 0.500 V   | -0.400 V  | Inhibited          | Available           | (1)                      |
| S-8252ABL-I6T1U | 4.300 V  | 4.100 V  | 2.400 V   | 2.600 V   | 0.240 V  | 0.500 V   | -0.200 V  | Inhibited          | Available           | (5)                      |
| S-8252ABM-I6T1U | 4.350 V  | 4.150 V  | 2.300 V   | 2.500 V   | 0.170 V  | 0.500 V   | -0.400 V  | Inhibited          | Available           | (5)                      |
| S-8252ABO-I6T1U | 4.300 V  | 4.100 V  | 2.300 V   | 2.700 V   | 0.230 V  | 0.500 V   | -0.250 V  | Inhibited          | Available           | (5)                      |
| S-8252ABP-I6T1U | 4.350 V  | 4.150 V  | 2.000 V   | 2.400 V   | 0.190 V  | 0.500 V   | -0.400 V  | Inhibited          | Available           | (5)                      |
| S-8252ACD-I6T1U | 4.280 V  | 4.080 V  | 2.000 V   | 2.000 V   | 0.170 V  | 0.500 V   | -0.100 V  | Inhibited          | Available           | (1)                      |
| S-8252ACG-I6T1U | 4.280 V  | 4.080 V  | 2.000 V   | 2.000 V   | 0.170 V  | 0.500 V   | -0.100 V  | Inhibited          | Available           | (5)                      |
| S-8252ACH-I6T1U | 4.470 V  | 4.370 V  | 2.750 V   | 3.050 V   | 0.120 V  | 0.500 V   | -0.100 V  | Inhibited          | Available           | (5)                      |
| S-8252ACJ-I6T1U | 4.325 V  | 4.075 V  | 2.000 V   | 2.200 V   | 0.190 V  | 0.900 V   | -   | Inhibited          | Available           | (3)                      |
| S-8252ACK-I6T1U | 4.300 V  | 4.100 V  | 2.300 V   | 2.700 V   | 0.340 V  | 0.500 V   | -0.300 V  | Inhibited          | Available           | (5)                      |
| S-8252ACL-I6T1U | 4.350 V  | 4.150 V  | 2.000 V   | 2.400 V   | 0.330 V  | 0.500 V   | -0.400 V  | Inhibited          | Available           | (5)                      |
| S-8252ACZ-I6T1U | 4.300 V  | 4.100 V  | 2.400 V   | 2.600 V   | 0.150 V  | 0.500 V   | -0.400 V  | Inhibited          | Available           | (9)                      |
| S-8252ADA-I6T1U | 4.300 V  | 4.100 V  | 2.400 V   | 2.600 V   | 0.230 V  | 0.500 V   | -0.150 V  | Inhibited          | Available           | (10)                     |
| S-8252ADB-I6T1U | 4.350 V  | 4.150 V  | 2.000 V   | 2.400 V   | 0.140 V  | 0.500 V   | -0.400 V  | Inhibited          | Available           | (9)                      |
| S-8252ADD-I6T1U | 4.300 V  | 4.100 V  | 2.300 V   | 2.700 V   | 0.240 V  | 0.500 V   | -0.175 V  | Inhibited          | Available           | (5)                      |
| S-8252ADE-I6T1U | 4.350 V  | 4.150 V  | 2.000 V   | 2.400 V   | 0.180 V  | 0.500 V   | -0.150 V  | Inhibited          | Available           | (5)                      |
| S-8252ADF-I6T1U | 4.490 V  | 4.290 V  | 2.300 V   | 2.700 V   | 0.070 V  | 0.500 V   | -0.075 V  | Enabled            | Unavailable         | (11)                     |
| S-8252ADH-I6T1U | 4.250 V  | 4.050 V  | 2.400 V   | 3.000 V   | 0.150 V  | 0.900 V   | -   | Enabled            | Available           | (3)                      |
| S-8252ADI-I6T1U | 4.350 V  | 4.150 V  | 2.300 V   | 2.900 V   | 0.250 V  | 0.900 V   | -   | Inhibited          | Available           | (3)                      |
| S-8252ADJ-I6T1U | 4.350 V  | 4.150 V  | 2.300 V   | 2.900 V   | 0.100 V  | 0.900 V   | -   | Enabled            | Available           | (3)                      |
| S-8252ADK-I6T1U | 4.350 V  | 4.150 V  | 2.300 V   | 2.700 V   | 0.220 V  | 0.900 V   | -   | Inhibited          | Unavailable         | (12)                     |
| S-8252ADL-I6T1U | 4.350 V  | 4.150 V  | 2.000 V   | 2.200 V   | 0.190 V  | 0.900 V   | -   | Inhibited          | Available           | (13)                     |
| S-8252ADM-I6T1U | 4.350 V  | 4.150 V  | 2.300 V   | 2.900 V   | 0.200 V  | 0.900 V   | -   | Inhibited          | Available           | (3)                      |

\*1. Refer to **Table 4** about the details of the delay time combinations.

**Remark** Please contact our sales representatives for products other than the above.

# BATTERY PROTECTION IC FOR 2-SERIAL-CELL PACK S-8252 Series

Rev.4.0\_00

**Table 4**

| Delay Time Combination | Overcharge Detection Delay Time [t <sub>CU</sub> ] | Overdischarge Detection Delay Time [t <sub>DL</sub> ] | Discharge Overcurrent Detection Delay Time [t <sub>DIOV</sub> ] | Load Short-circuiting Detection Delay Time [t <sub>SHORT</sub> ] | Charge Overcurrent Detection Delay Time [t <sub>CIOV</sub> ] |
|------------------------|--|---|---|--|--|
| (1)                    | 1.0 s  | 128 ms  | 8 ms  | 280 μs   | 8 ms   |
| (2)                    | 1.0 s  | 512 ms  | 8 ms  | 280 μs   | 8 ms   |
| (3)                    | 1.0 s  | 128 ms  | 8 ms  | 280 μs   | –  |
| (4)                    | 1.0 s  | 128 ms  | 8 ms  | 1 ms   | 8 ms   |
| (5)                    | 1.0 s  | 128 ms  | 16 ms   | 280 μs   | 8 ms   |
| (6)                    | 1.0 s  | 128 ms  | 32 ms   | 280 μs   | 8 ms   |
| (7)                    | 1.0 s  | 512 ms  | 8 ms  | 1 ms   | 8 ms   |
| (8)                    | 1.0 s  | 128 ms  | 8 ms  | 1 ms   | –  |
| (9)                    | 1.0 s  | 128 ms  | 128 ms  | 280 μs   | 16 ms  |
| (10)                   | 1.0 s  | 128 ms  | 16 ms   | 280 μs   | 16 ms  |
| (11)                   | 1.0 s  | 128 ms  | 32 ms   | 500 μs   | 16 ms  |
| (12)                   | 1.0 s  | 128 ms  | 16 ms   | 1 ms   | –  |
| (13)                   | 1.0 s  | 128 ms  | 8 ms  | 500 μs   | –  |

**Remark** The delay times can be changed within the range listed in **Table 5**. For details, please contact our sales representatives.

**Table 5**

| Delay Time                                 | Symbol             | Selection Range      |                    |                      | Remark                        |
|--|--------------------|----------------------|--------------------|----------------------|-------------------------------|
| Overcharge detection delay time            | t <sub>CU</sub>    | 256 ms               | 512 ms             | 1.0 s <sup>*1</sup>  | Select a value from the left. |
| Overdischarge detection delay time         | t <sub>DL</sub>    | 32 ms                | 64 ms              | 128 ms <sup>*1</sup> | Select a value from the left. |
| Discharge overcurrent detection delay time | t <sub>DIOV</sub>  | 4 ms                 | 8 ms <sup>*1</sup> | 16 ms                | Select a value from the left. |
| Load short-circuiting detection delay time | t <sub>SHORT</sub> | 280 μs <sup>*1</sup> | 500 μs             | 1 ms                 | Select a value from the left. |
| Charge overcurrent detection delay time    | t <sub>CIOV</sub>  | 4 ms                 | 8 ms <sup>*1</sup> | 16 ms                | Select a value from the left. |

\*1. This value is the delay time of the standard products.

■ Pin Configurations

1. SOT-23-6



Figure 2

Table 6

| Pin No. | Symbol | Description   |
|---------|--------|---|
| 1       | DO     | Connection pin of discharge control FET gate (CMOS output)  |
| 2       | CO     | Connection pin of charge control FET gate (CMOS output)   |
| 3       | VM     | Voltage detection pin between VM pin and VSS pin (Overcurrent / charger detection pin)                |
| 4       | VC     | Connection pin for negative voltage of battery 1 and connection pin for positive voltage of battery 2 |
| 5       | VDD    | Connection pin for positive power supply input and connection pin for positive voltage of battery 1   |
| 6       | VSS    | Connection pin for negative power supply input and connection pin for negative voltage of battery 2   |

2. SNT-6A



Figure 3

Table 7

| Pin No. | Symbol | Description   |
|---------|--------|---|
| 1       | VM     | Voltage detection pin between VM pin and VSS pin (Overcurrent / charger detection pin)                |
| 2       | CO     | Connection pin of charge control FET gate (CMOS output)   |
| 3       | DO     | Connection pin of discharge control FET gate (CMOS output)  |
| 4       | VSS    | Connection pin for negative power supply input and connection pin for negative voltage of battery 2   |
| 5       | VDD    | Connection pin for positive power supply input and connection pin for positive voltage of battery 1   |
| 6       | VC     | Connection pin for negative voltage of battery 1 and connection pin for positive voltage of battery 2 |



### ■ Absolute Maximum Ratings

Table 8

(Ta = +25°C unless otherwise specified)

| Item                                      | Symbol           | Applied pin | Absolute Maximum Rating                        | Unit |
|---|------------------|-------------|--|------|
| Input voltage between VDD pin and VSS pin | V <sub>DS</sub>  | VDD         | V <sub>SS</sub> - 0.3 to V <sub>SS</sub> + 12  | V    |
| VC pin input voltage                      | V <sub>VC</sub>  | VC          | V <sub>SS</sub> - 0.3 to V <sub>DD</sub> + 0.3 | V    |
| VM pin input voltage                      | V <sub>VM</sub>  | VM          | V <sub>DD</sub> - 28 to V <sub>DD</sub> + 0.3  | V    |
| DO pin output voltage                     | V <sub>DO</sub>  | DO          | V <sub>SS</sub> - 0.3 to V <sub>DD</sub> + 0.3 | V    |
| CO pin output voltage                     | V <sub>CO</sub>  | CO          | V <sub>VM</sub> - 0.3 to V <sub>DD</sub> + 0.3 | V    |
| Power dissipation                         | SOT-23-6         | -           | 650*1  | mW   |
|   | SNT-6A           |             | 400*1  | mW   |
| Operation ambient temperature             | T <sub>opr</sub> | -           | -40 to +85                                     | °C   |
| Storage temperature                       | T <sub>stg</sub> | -           | -55 to +125                                    | °C   |

\*1. When mounted on board

[Mounted board]

- (1) Board size: 114.3 mm × 76.2 mm × t1.6 mm
- (2) Board name: JEDEC STANDARD51-7

**Caution** The absolute maximum ratings are rated values exceeding which the product could suffer physical damage. These values must therefore not be exceeded under any conditions.



Figure 4 Package Power Dissipation (When Mounted on Board)

■ **Electrical Characteristics**

1. **Ta = +25°C**

**Table 9**

(Ta = +25°C unless otherwise specified)

| Item   | Symbol                      | Condition                                  | Min.                       | Typ.               | Max.                       | Unit | Test Circuit |
|--|-----------------------------|--|----------------------------|--------------------|----------------------------|------|--------------|
| <b>DETECTION VOLTAGE</b>   |                             |  |                            |                    |                            |      |              |
| Overcharge detection voltage n (n = 1, 2)                                | V <sub>CU<sub>n</sub></sub> | –  | V <sub>CU</sub> – 0.020    | V <sub>CU</sub>    | V <sub>CU</sub> + 0.020    | V    | 1            |
|  |                             | Ta = –10°C to +60°C*1                      | V <sub>CU</sub> – 0.025    | V <sub>CU</sub>    | V <sub>CU</sub> + 0.025    | V    | 1            |
| Overcharge release voltage n (n = 1, 2)                                  | V <sub>CL<sub>n</sub></sub> | V <sub>CL</sub> ≠ V <sub>CU</sub>          | V <sub>CL</sub> – 0.030    | V <sub>CL</sub>    | V <sub>CL</sub> + 0.030    | V    | 1            |
|  |                             | V <sub>CL</sub> = V <sub>CU</sub>          | V <sub>CL</sub> – 0.030    | V <sub>CL</sub>    | V <sub>CL</sub> + 0.020    | V    | 1            |
| Overdischarge detection voltage n (n = 1, 2)                             | V <sub>DL<sub>n</sub></sub> | –  | V <sub>DL</sub> – 0.050    | V <sub>DL</sub>    | V <sub>DL</sub> + 0.050    | V    | 2            |
| Overdischarge release voltage n (n = 1, 2)                               | V <sub>DU<sub>n</sub></sub> | V <sub>DL</sub> ≠ V <sub>DU</sub>          | V <sub>DU</sub> – 0.100    | V <sub>DU</sub>    | V <sub>DU</sub> + 0.100    | V    | 2            |
|  |                             | V <sub>DL</sub> = V <sub>DU</sub>          | V <sub>DU</sub> – 0.050    | V <sub>DU</sub>    | V <sub>DU</sub> + 0.050    | V    | 2            |
| Discharge overcurrent detection voltage                                  | V <sub>DIOV</sub>           | –  | V <sub>DIOV</sub> – 0.010  | V <sub>DIOV</sub>  | V <sub>DIOV</sub> + 0.010  | V    | 2            |
| Load short-circuiting detection voltage                                  | V <sub>SHORT</sub>          | –  | V <sub>SHORT</sub> – 0.100 | V <sub>SHORT</sub> | V <sub>SHORT</sub> + 0.100 | V    | 2            |
| <b>DETECTION VOLTAGE (WITH CHARGE OVERCURRENT DETECTION FUNCTION)</b>    |                             |  |                            |                    |                            |      |              |
| Charge overcurrent detection voltage                                     | V <sub>CIOV</sub>           | –  | V <sub>CIOV</sub> – 0.020  | V <sub>CIOV</sub>  | V <sub>CIOV</sub> + 0.020  | V    | 2            |
| <b>DETECTION VOLTAGE (WITHOUT CHARGE OVERCURRENT DETECTION FUNCTION)</b> |                             |  |                            |                    |                            |      |              |
| Charger detection voltage  | V <sub>CHA</sub>            | –  | –1.0                       | –0.7               | –0.4                       | V    | 2            |
| <b>0 V BATTERY CHARGE</b>  |                             |  |                            |                    |                            |      |              |
| 0 V battery charge starting charger voltage                              | V <sub>OCHA</sub>           | 0 V battery charge enabled                 | 0.0                        | 0.7                | 1.0                        | V    | 2            |
| 0 V battery charge inhibition battery voltage                            | V <sub>OINH</sub>           | 0 V battery charge inhibited               | 0.4                        | 0.8                | 1.1                        | V    | 2            |
| <b>INTERNAL RESISTANCE</b>   |                             |  |                            |                    |                            |      |              |
| Resistance between VM pin and VDD pin                                    | R <sub>VMD</sub>            | V1 = V2 = 1.8 V, V3 = 0 V                  | 100                        | 300                | 900                        | kΩ   | 3            |
| Resistance between VM pin and VSS pin                                    | R <sub>VMS</sub>            | V1 = V2 = 3.5 V, V3 = 1.0 V                | 10                         | 20                 | 40                         | kΩ   | 3            |
| <b>INPUT VOLTAGE</b>   |                             |  |                            |                    |                            |      |              |
| Operation voltage between VDD pin and VSS pin                            | V <sub>DSOP1</sub>          | –  | 1.5                        | –                  | 10                         | V    | –            |
| <b>INPUT CURRENT (WITH POWR-DOWN FUNCTION)</b>                           |                             |  |                            |                    |                            |      |              |
| Current consumption during operation                                     | I <sub>OPE</sub>            | V1 = V2 = 3.5 V, V3 = 0 V                  | –                          | 4.0                | 8.0                        | μA   | 2            |
| Current consumption during power-down                                    | I <sub>PDN</sub>            | V1 = V2 = 1.5 V, V3 = 3.0 V                | –                          | –                  | 0.1                        | μA   | 2            |
| VC pin current   | I <sub>VC</sub>             | V1 = V2 = 3.5 V, V3 = 0 V                  | 0.0                        | 0.7                | 1.5                        | μA   | 2            |
| <b>INPUT CURRENT (WITHOUT POWR-DOWN FUNCTION)</b>                        |                             |  |                            |                    |                            |      |              |
| Current consumption during operation                                     | I <sub>OPE</sub>            | V1 = V2 = 3.5 V, V3 = 0 V                  | –                          | 4.0                | 8.0                        | μA   | 2            |
| Current consumption during overdischarge                                 | I <sub>OPED</sub>           | V1 = V2 = 1.5 V, V3 = 3.0 V                | –                          | 2.5                | 5.0                        | μA   | 2            |
| VC pin current   | I <sub>VC</sub>             | V1 = V2 = 3.5 V, V3 = 0 V                  | 0.0                        | 0.7                | 1.5                        | μA   | 2            |
| <b>OUTPUT RESISTANCE</b>   |                             |  |                            |                    |                            |      |              |
| CO pin resistance "H"  | R <sub>COH</sub>            | V1 = V2 = 3.5 V,<br>V3 = 0 V, V4 = 6.5 V   | 2.5                        | 5                  | 10                         | kΩ   | 4            |
| CO pin resistance "L"  | R <sub>COL</sub>            | V1 = V2 = 4.7 V,<br>V3 = 0 V, V4 = 0.5 V   | 2.5                        | 5                  | 10                         | kΩ   | 4            |
| DO pin resistance "H"  | R <sub>DOH</sub>            | V1 = V2 = 3.5 V,<br>V3 = 0 V, V5 = 6.5 V   | 5                          | 10                 | 20                         | kΩ   | 4            |
| DO pin resistance "L"  | R <sub>DOL</sub>            | V1 = V2 = 1.8 V,<br>V3 = 3.6 V, V5 = 0.5 V | 5                          | 10                 | 20                         | kΩ   | 4            |
| <b>DELAY TIME</b>  |                             |  |                            |                    |                            |      |              |
| Overcharge detection delay time  | t <sub>CU</sub>             | –  | t <sub>CU</sub> × 0.8      | t <sub>CU</sub>    | t <sub>CU</sub> × 1.2      | –    | 5            |
| Overdischarge detection delay time                                       | t <sub>DL</sub>             | –  | t <sub>DL</sub> × 0.8      | t <sub>DL</sub>    | t <sub>DL</sub> × 1.2      | –    | 5            |
| Discharge overcurrent detection delay time                               | t <sub>DIOV</sub>           | –  | t <sub>DIOV</sub> × 0.8    | t <sub>DIOV</sub>  | t <sub>DIOV</sub> × 1.2    | –    | 5            |
| Load short-circuiting detection delay time                               | t <sub>SHORT</sub>          | –  | t <sub>SHORT</sub> × 0.8   | t <sub>SHORT</sub> | t <sub>SHORT</sub> × 1.2   | –    | 5            |
| Charge overcurrent detection delay time                                  | t <sub>CIOV</sub>           | –  | t <sub>CIOV</sub> × 0.8    | t <sub>CIOV</sub>  | t <sub>CIOV</sub> × 1.2    | –    | 5            |

\*1. Since products are not screened at high and low temperature, the specification for this temperature range is guaranteed by design, not tested in production.

# BATTERY PROTECTION IC FOR 2-SERIAL-CELL PACK S-8252 Series

Rev.4.0\_00

2. Ta = -40°C to +85°C\*1

Table 10

(Ta = -40°C to +85°C\*1 unless otherwise specified)

| Item   | Symbol                      | Condition                                  | Min.                       | Typ.               | Max.                       | Unit | Test Circuit |
|--|-----------------------------|--|----------------------------|--------------------|----------------------------|------|--------------|
| <b>DETECTION VOLTAGE</b>   |                             |  |                            |                    |                            |      |              |
| Overcharge detection voltage n (n = 1, 2)                                | V <sub>CU<sub>n</sub></sub> | -  | V <sub>CU</sub> - 0.045    | V <sub>CU</sub>    | V <sub>CU</sub> + 0.030    | V    | 1            |
| Overcharge release voltage n (n = 1, 2)                                  | V <sub>CL<sub>n</sub></sub> | V <sub>CL</sub> ≠ V <sub>CU</sub>          | V <sub>CL</sub> - 0.070    | V <sub>CL</sub>    | V <sub>CL</sub> + 0.040    | V    | 1            |
|  |                             | V <sub>CL</sub> = V <sub>CU</sub>          | V <sub>CL</sub> - 0.050    | V <sub>CL</sub>    | V <sub>CL</sub> + 0.030    | V    | 1            |
| Overdischarge detection voltage n (n = 1, 2)                             | V <sub>DL<sub>n</sub></sub> | -  | V <sub>DL</sub> - 0.085    | V <sub>DL</sub>    | V <sub>DL</sub> + 0.060    | V    | 2            |
| Overdischarge release voltage n (n = 1, 2)                               | V <sub>DU<sub>n</sub></sub> | V <sub>DL</sub> ≠ V <sub>DU</sub>          | V <sub>DU</sub> - 0.140    | V <sub>DU</sub>    | V <sub>DU</sub> + 0.110    | V    | 2            |
|  |                             | V <sub>DL</sub> = V <sub>DU</sub>          | V <sub>DU</sub> - 0.085    | V <sub>DU</sub>    | V <sub>DU</sub> + 0.060    | V    | 2            |
| Discharge overcurrent detection voltage                                  | V <sub>DIOV</sub>           | -  | V <sub>DIOV</sub> - 0.010  | V <sub>DIOV</sub>  | V <sub>DIOV</sub> + 0.010  | V    | 2            |
| Load short-circuiting detection voltage                                  | V <sub>SHORT</sub>          | -  | V <sub>SHORT</sub> - 0.100 | V <sub>SHORT</sub> | V <sub>SHORT</sub> + 0.100 | V    | 2            |
| <b>DETECTION VOLTAGE (WITH CHARGE OVERCURRENT DETECTION FUNCTION)</b>    |                             |  |                            |                    |                            |      |              |
| Charge overcurrent detection voltage                                     | V <sub>CIOV</sub>           | -  | V <sub>CIOV</sub> - 0.020  | V <sub>CIOV</sub>  | V <sub>CIOV</sub> + 0.020  | V    | 2            |
| <b>DETECTION VOLTAGE (WITHOUT CHARGE OVERCURRENT DETECTION FUNCTION)</b> |                             |  |                            |                    |                            |      |              |
| Charger detection voltage  | V <sub>CHA</sub>            | -  | -1.2                       | -0.7               | -0.2                       | V    | 2            |
| <b>0 V BATTERY CHARGE</b>  |                             |  |                            |                    |                            |      |              |
| 0 V battery charge starting charger voltage                              | V <sub>0CHA</sub>           | 0 V battery charge enabled                 | 0.0                        | 0.7                | 1.5                        | V    | 2            |
| 0 V battery charge inhibition battery voltage                            | V <sub>0INH</sub>           | 0 V battery charge inhibited               | 0.3                        | 0.8                | 1.3                        | V    | 2            |
| <b>INTERNAL RESISTANCE</b>   |                             |  |                            |                    |                            |      |              |
| Resistance between VM pin and VDD pin                                    | R <sub>VMD</sub>            | V1 = V2 = 1.8 V, V3 = 0 V                  | 78                         | 300                | 1310                       | kΩ   | 3            |
| Resistance between VM pin and VSS pin                                    | R <sub>VMS</sub>            | V1 = V2 = 3.5 V, V3 = 1.0 V                | 7.2                        | 20                 | 44                         | kΩ   | 3            |
| <b>INPUT VOLTAGE</b>   |                             |  |                            |                    |                            |      |              |
| Operation voltage between VDD pin and VSS pin                            | V <sub>DSOP1</sub>          | -  | 1.5                        | -                  | 10                         | V    | -            |
| <b>INPUT CURRENT (WITH POWER-DOWN FUNCTION)</b>                          |                             |  |                            |                    |                            |      |              |
| Current consumption during operation                                     | I <sub>OPE</sub>            | V1 = V2 = 3.5 V, V3 = 0 V                  | -                          | 4.5                | 8.5                        | μA   | 2            |
| Current consumption during power-down                                    | I <sub>PDN</sub>            | V1 = V2 = 1.5 V, V3 = 3.0 V                | -                          | -                  | 0.15                       | μA   | 2            |
| VC pin current   | I <sub>VC</sub>             | V1 = V2 = 3.5 V, V3 = 0 V                  | 0.0                        | 1.2                | 2.0                        | μA   | 2            |
| <b>INPUT CURRENT (WITHOUT POWER-DOWN FUNCTION)</b>                       |                             |  |                            |                    |                            |      |              |
| Current consumption during operation                                     | I <sub>OPE</sub>            | V1 = V2 = 3.5 V, V3 = 0 V                  | -                          | 4.5                | 8.5                        | μA   | 2            |
| Current consumption during overdischarge                                 | I <sub>OPED</sub>           | V1 = V2 = 1.5 V, V3 = 3.0 V                | -                          | 2.5                | 5.5                        | μA   | 2            |
| VC pin current   | I <sub>VC</sub>             | V1 = V2 = 3.5 V, V3 = 0 V                  | 0.0                        | 1.2                | 2.0                        | μA   | 2            |
| <b>OUTPUT RESISTANCE</b>   |                             |  |                            |                    |                            |      |              |
| CO pin resistance "H"  | R <sub>COH</sub>            | V1 = V2 = 3.5 V,<br>V3 = 0 V, V4 = 6.5 V   | 1.2                        | 5                  | 15                         | kΩ   | 4            |
| CO pin resistance "L"  | R <sub>COL</sub>            | V1 = V2 = 4.7 V,<br>V3 = 0 V, V4 = 0.5 V   | 1.2                        | 5                  | 15                         | kΩ   | 4            |
| DO pin resistance "H"  | R <sub>DOH</sub>            | V1 = V2 = 3.5 V,<br>V3 = 0 V, V5 = 6.5 V   | 2.4                        | 10                 | 30                         | kΩ   | 4            |
| DO pin resistance "L"  | R <sub>DOL</sub>            | V1 = V2 = 1.8 V,<br>V3 = 3.6 V, V5 = 0.5 V | 2.4                        | 10                 | 30                         | kΩ   | 4            |
| <b>DELAY TIME</b>  |                             |  |                            |                    |                            |      |              |
| Overcharge detection delay time  | t <sub>CU</sub>             | -  | t <sub>CU</sub> × 0.3      | t <sub>CU</sub>    | t <sub>CU</sub> × 2.0      | -    | 5            |
| Overdischarge detection delay time                                       | t <sub>DL</sub>             | -  | t <sub>DL</sub> × 0.3      | t <sub>DL</sub>    | t <sub>DL</sub> × 2.0      | -    | 5            |
| Discharge overcurrent detection delay time                               | t <sub>DIOV</sub>           | -  | t <sub>DIOV</sub> × 0.3    | t <sub>DIOV</sub>  | t <sub>DIOV</sub> × 2.0    | -    | 5            |
| Load short-circuiting detection delay time                               | t <sub>SHORT</sub>          | -  | t <sub>SHORT</sub> × 0.3   | t <sub>SHORT</sub> | t <sub>SHORT</sub> × 2.0   | -    | 5            |
| Charge overcurrent detection delay time                                  | t <sub>CIOV</sub>           | -  | t <sub>CIOV</sub> × 0.3    | t <sub>CIOV</sub>  | t <sub>CIOV</sub> × 2.0    | -    | 5            |

\*1. Since products are not screened at high and low temperature, the specification for this temperature range is guaranteed by design, not tested in production.

## ■ Test Circuits

**Caution** Unless otherwise specified, the output voltage levels "H" and "L" at CO pin ( $V_{CO}$ ) and DO pin ( $V_{DO}$ ) are judged by the threshold voltage (1.0 V) of the N-channel FET. Judge the CO pin level with respect to  $V_{VM}$  and the DO pin level with respect to  $V_{SS}$ .

### 1. Overcharge detection voltage, overcharge release voltage (Test circuit 1)

Overcharge detection voltage ( $V_{CU1}$ ) is defined as the voltage  $V1$  at which  $V_{CO}$  goes from "H" to "L" when the voltage  $V1$  is gradually increased from the starting condition of  $V1 = V2 = V_{CU} - 0.05$  V,  $V3 = 0$  V. Overcharge release voltage ( $V_{CL1}$ ) is defined as the voltage  $V1$  at which  $V_{CO}$  goes from "L" to "H" when the voltage  $V1$  is then gradually decreased after setting  $V2 = 3.5$  V. Overcharge hysteresis voltage ( $V_{HC1}$ ) is defined as the difference between  $V_{CU1}$  and  $V_{CL1}$ . Overcharge detection voltage ( $V_{CU2}$ ) is defined as the voltage  $V2$  at which  $V_{CO}$  goes from "H" to "L" when the voltage  $V2$  is gradually increased from the starting condition of  $V1 = V2 = V_{CU} - 0.05$  V,  $V3 = 0$  V. Overcharge release voltage ( $V_{CL2}$ ) is defined as the voltage  $V2$  at which  $V_{CO}$  goes from "L" to "H" when the voltage  $V2$  is then gradually decreased after setting  $V1 = 3.5$  V. Overcharge hysteresis voltage ( $V_{HC2}$ ) is defined as the difference between  $V_{CU2}$  and  $V_{CL2}$ .

### 2. Overdischarge detection voltage, overdischarge release voltage (Test circuit 2)

Overdischarge detection voltage ( $V_{DL1}$ ) is defined as the voltage  $V1$  at which  $V_{DO}$  goes from "H" to "L" when the voltage  $V1$  is gradually decreased from the starting condition of  $V1 = V2 = 3.5$  V,  $V3 = 0$  V. Overdischarge release voltage ( $V_{DU1}$ ) is defined as the voltage  $V1$  at which  $V_{DO}$  goes from "L" to "H" when the voltage  $V1$  is then gradually increased. Overdischarge hysteresis voltage ( $V_{HD1}$ ) is defined as the difference between  $V_{DU1}$  and  $V_{DL1}$ . Overdischarge detection voltage ( $V_{DL2}$ ) is defined as the voltage  $V2$  at which  $V_{DO}$  goes from "H" to "L" when the voltage  $V2$  is gradually decreased from the starting condition of  $V1 = V2 = 3.5$  V,  $V3 = 0$  V. Overdischarge release voltage ( $V_{DU2}$ ) is defined as the voltage  $V2$  at which  $V_{DO}$  goes from "L" to "H" when the voltage  $V2$  is then gradually increased. Overdischarge hysteresis voltage ( $V_{HD2}$ ) is defined as the difference between  $V_{DU2}$  and  $V_{DL2}$ .

### 3. Discharge overcurrent detection voltage (Test circuit 2)

Discharge overcurrent detection voltage ( $V_{DIOV}$ ) is defined as the voltage  $V3$  whose delay time for changing  $V_{DO}$  from "H" to "L" is discharge overcurrent detection delay time ( $t_{DIOV}$ ) when the voltage  $V3$  is increased from the starting condition of  $V1 = V2 = 3.5$  V,  $V3 = 0$  V.

### 4. Load short-circuiting detection voltage (Test circuit 2)

Load short-circuiting detection voltage ( $V_{SHORT}$ ) is defined as the voltage  $V3$  whose delay time for changing  $V_{DO}$  from "H" to "L" is load short-circuiting detection delay time ( $t_{SHORT}$ ) when the voltage  $V3$  is increased from the starting condition of  $V1 = V2 = 3.5$  V,  $V3 = 0$  V.

### 5. Charge overcurrent detection voltage, charger detection voltage (Test circuit 2)

#### 5.1 With charge overcurrent detection function

Charge overcurrent detection voltage ( $V_{CIOV}$ ) is defined as the voltage  $V3$  whose delay time for changing  $V_{CO}$  from "H" to "L" is charge overcurrent detection delay time ( $t_{CIOV}$ ) when the voltage  $V3$  is decreased from the starting condition of  $V1 = V2 = 3.5$  V,  $V3 = 0$  V.

#### 5.2 Without charge overcurrent detection function

Charger detection voltage ( $V_{CHA}$ ) is defined as the voltage  $V3$  at which  $V_{CO}$  goes from "H" to "L" when the voltage  $V3$  is decreased from the starting condition of  $V1 = V2 = 3.5$  V,  $V3 = 0$  V.

### 6. Current consumption during operation (Test circuit 2)

The current consumption during operation ( $I_{OPE}$ ) is the current that flows through the VDD pin ( $I_{DD}$ ) under the set conditions of  $V1 = V2 = 3.5$  V,  $V3 = 0$  V.

**7. VC pin current**  
**(Test circuit 2)**

The VC pin current ( $I_{VC}$ ) is the current that flows through the VC pin ( $I_{VC}$ ) under the set conditions of  $V1 = V2 = 3.5\text{ V}$ ,  $V3 = 0\text{ V}$ .

**8. Current consumption during power-down, current consumption during overdischarge**  
**(Test circuit 2)**

**8.1 With power-down function**

The current consumption during power-down ( $I_{PDN}$ ) is the current that flows through the VSS pin ( $I_{SS}$ ) under the set conditions of  $V1 = V2 = 1.5\text{ V}$ ,  $V3 = 3.0\text{ V}$ .

**8.2 Without power-down function**

The current consumption during overdischarge ( $I_{OPED}$ ) is the current that flows through the VSS pin ( $I_{SS}$ ) under the set conditions of  $V1 = V2 = 1.5\text{ V}$ ,  $V3 = 3.0\text{ V}$ .

**9. Resistance between VM pin and VDD pin**  
**(Test circuit 3)**

$R_{VMD}$  is the resistance between VM pin and VDD pin under the set conditions of  $V1 = V2 = 1.8\text{ V}$ ,  $V3 = 0\text{ V}$ .

**10. Resistance between VM pin and VSS pin**  
**(Test circuit 3)**

$R_{VMS}$  is the resistance between VM pin and VSS pin under the set conditions of  $V1 = V2 = 3.5\text{ V}$ ,  $V3 = 1.0\text{ V}$ .

**11. CO pin resistance "H"**  
**(Test circuit 4)**

The CO pin resistance "H" ( $R_{COH}$ ) is the resistance between VDD pin and CO pin under the set conditions of  $V1 = V2 = 3.5\text{ V}$ ,  $V3 = 0\text{ V}$ ,  $V4 = 6.5\text{ V}$ .

**12. CO pin resistance "L"**  
**(Test circuit 4)**

The CO pin resistance "L" ( $R_{COL}$ ) is the resistance between VM pin and CO pin under the set conditions of  $V1 = V2 = 4.7\text{ V}$ ,  $V3 = 0\text{ V}$ ,  $V4 = 0.5\text{ V}$ .

**13. DO pin resistance "H"**  
**(Test circuit 4)**

The DO pin resistance "H" ( $R_{DOH}$ ) is the resistance between VDD pin and DO pin under the set conditions of  $V1 = V2 = 3.5\text{ V}$ ,  $V3 = 0\text{ V}$ ,  $V5 = 6.5\text{ V}$ .

**14. DO pin resistance "L"**  
**(Test circuit 4)**

The DO pin resistance "L" ( $R_{DOL}$ ) is the resistance between VSS pin and DO pin under the set conditions of  $V1 = V2 = 1.8\text{ V}$ ,  $V3 = 0\text{ V}$ ,  $V5 = 0.5\text{ V}$ .

**15. Overcharge detection delay time**  
**(Test circuit 5)**

The overcharge detection delay time ( $t_{CU}$ ) is the time needed for  $V_{CO}$  to go to "L" just after the voltage  $V1$  increases and exceeds  $V_{CU}$  under the set condition of  $V1 = V2 = 3.5\text{ V}$ ,  $V3 = 0\text{ V}$ .

**16. Overdischarge detection delay time**  
**(Test circuit 5)**

The overdischarge detection delay time ( $t_{DL}$ ) is the time needed for  $V_{DO}$  to go to "L" after the voltage  $V_1$  decreases and falls below  $V_{DL}$  under the set condition of  $V_1 = V_2 = 3.5\text{ V}$ ,  $V_3 = 0\text{ V}$ .

**17. Discharge overcurrent detection delay time**  
**(Test circuit 5)**

The discharge overcurrent detection delay time ( $t_{DIOV}$ ) is the time needed for  $V_{DO}$  to go to "L" after the voltage  $V_3$  increases and exceeds  $V_{DIOV}$  under the set conditions of  $V_1 = V_2 = 3.5\text{ V}$ ,  $V_3 = 0\text{ V}$ .

**18. Load short-circuiting detection delay time**  
**(Test circuit 5)**

The load short-circuiting detection delay time ( $t_{SHORT}$ ) is the time needed for  $V_{DO}$  to go to "L" after the voltage  $V_3$  increases and exceeds  $V_{SHORT}$  under the set conditions of  $V_1 = V_2 = 3.5\text{ V}$ ,  $V_3 = 0\text{ V}$ .

**19. Charge overcurrent detection delay time**  
**(Test circuit 5)**

The charge overcurrent detection delay time ( $t_{CIOV}$ ) is the time needed for  $V_{CO}$  to go to "L" after the voltage  $V_3$  decreases and falls below  $V_{CIOV}$  under the set condition of  $V_1 = V_2 = 3.5\text{ V}$ ,  $V_3 = 0\text{ V}$ .

**20. 0 V battery charge starting charger voltage (0 V battery charge enabled)**  
**(Test circuit 2)**

The 0 V battery charge starting charger voltage ( $V_{0CHA}$ ) is defined as the absolute value of voltage  $V_3$  at which  $V_{CO}$  goes to "H" ( $V_{CO} = V_{DD}$ ) when the voltage  $V_3$  is gradually decreased from the starting condition of  $V_1 = V_2 = V_3 = 0\text{ V}$ .

**21. 0 V battery charge inhibition battery voltage (0 V battery charge inhibited)**  
**(Test circuit 2)**

The 0 V battery charge inhibition battery voltage ( $V_{0INH}$ ) is defined as the voltage  $V_1$  at which  $V_{CO}$  goes to "L" ( $V_{VM} + 0.1\text{ V}$  or lower) when the voltage  $V_1$  is gradually decreased, after setting  $V_1 = V_2 = 1.5\text{ V}$ ,  $V_3 = -6.0\text{ V}$ .



**Figure 5 Test Circuit 1**

**BATTERY PROTECTION IC FOR 2-SERIAL-CELL PACK  
S-8252 Series**

Rev.4.0\_00



**Figure 6 Test Circuit 2**



**Figure 7 Test Circuit 3**



**Figure 8 Test Circuit 4**



**Figure 9 Test Circuit 5**

## ■ Operation

**Remark** Refer to the "■ Battery Protection IC Connection Example".

**Caution** Unless otherwise specified, the VM pin voltage is based on V<sub>SS</sub>.

### 1. Normal status

#### 1.1 With charge overcurrent detection function

The S-8252 Series monitors the voltage of the battery connected between the VDD pin and VSS pin and the voltage difference between the VM pin and VSS pin to control charging and discharging. When the battery voltage is in the range from overdischarge detection voltage (V<sub>DL</sub>) to overcharge detection voltage (V<sub>CU</sub>), and the VM pin voltage is in the range from the charge overcurrent detection voltage (V<sub>CIOV</sub>) to discharge overcurrent detection voltage (V<sub>DIOV</sub>), The S-8252 Series turns both the charging and discharging control FETs on. This condition is called the normal status, and in this condition charging and discharging can be carried out freely.

The resistance (R<sub>VMD</sub>) between the VM pin and VDD pin, and the resistance (R<sub>VMS</sub>) between the VM pin and VSS pin are not connected in the normal status.

**Caution** When the battery is connected for the first time, discharging may not be enabled. In this case, short the VM pin and VSS pin, or set the VM pin voltage at the level of V<sub>CIOV</sub> or more and V<sub>DIOV</sub> or less by connecting the charger. The S-8252 Series then returns to the normal status.

#### 1.2 Without charge overcurrent detection function

The S-8252 Series monitors the voltage of the battery connected between the VDD pin and VSS pin and the voltage difference between the VM pin and VSS pin to control charging and discharging. When the battery voltage is in the range from overdischarge detection voltage (V<sub>DL</sub>) to overcharge detection voltage (V<sub>CU</sub>), and the VM pin voltage is in the range from the charger detection voltage (V<sub>CHA</sub>) to discharge overcurrent detection voltage (V<sub>DIOV</sub>), The S-8252 Series turns both the charging and discharging control FETs on. This condition is called the normal status, and in this condition charging and discharging can be carried out freely.

The resistance (R<sub>VMD</sub>) between the VM pin and VDD pin, and the resistance (R<sub>VMS</sub>) between the VM pin and VSS pin are not connected in the normal status.

**Caution** When the battery is connected for the first time, discharging may not be enabled. In this case, short the VM pin and VSS pin, or set the VM pin voltage at the level of V<sub>CHA</sub> or more and V<sub>DIOV</sub> or less by connecting the charger. The S-8252 Series then returns to the normal status.

### 2. Overcharge status

When the battery voltage becomes higher than V<sub>CU</sub> during charging in the normal status and detection continues for the overcharge detection delay time (t<sub>CU</sub>) or longer, the S-8252 Series turns the charging control FET off to stop charging. This condition is called the overcharge status.

R<sub>VMD</sub> and R<sub>VMS</sub> are not connected in the overcharge status.

The overcharge status is released in the following two cases ( (1) and (2) ).

- (1) In the case that the VM pin voltage is lower than V<sub>DIOV</sub>, the S-8252 Series releases the overcharge status when the battery voltage falls below V<sub>CL</sub>.
- (2) In the case that the VM pin voltage is higher than or equal to V<sub>DIOV</sub>, the S-8252 Series releases the overcharge status when the battery voltage falls below V<sub>CU</sub>.

When the discharge is started by connecting a load after the overcharge detection, the VM pin voltage rises more than the voltage at VSS pin due to the V<sub>f</sub> voltage of the parasitic diode, because the discharge current flows through the parasitic diode in the charging control FET. If this VM pin voltage is higher than or equal to V<sub>DIOV</sub>, the S-8252 Series releases the overcharge status when the battery voltage is lower than or equal to V<sub>CU</sub>.

**Caution 1.** If the battery is charged to a voltage higher than V<sub>CU</sub> and the battery voltage does not fall below V<sub>CU</sub> even when a heavy load is connected, discharge overcurrent detection and load short-circuiting detection do not function until the battery voltage falls below V<sub>CU</sub>. Since an actual battery has an internal impedance of tens of mΩ, the battery voltage drops immediately after a heavy load that causes overcurrent is connected, and discharge overcurrent detection and load short-circuiting detection function.

**2.** If a charger is connected after the overcharge detection, the overcharge status is not released even when the battery voltage falls below V<sub>CL</sub>. The S-8252 Series releases the overcharge status when the VM pin voltage returns to V<sub>CIOV</sub> (or V<sub>CHA</sub> when without charge overcurrent detection function) or higher by removing the charger.



### 3. Overdischarge status

When the battery voltage falls below overdischarge detection voltage ( $V_{DL}$ ) during discharging in the normal status and the condition continues for the overdischarge detection delay time ( $t_{DL}$ ) or longer, the S-8252 Series turns the discharging control FET off to stop discharging. This condition is called the overdischarge status.

Under the overdischarge status, the VM pin and VDD pin are shorted by  $R_{VMD}$  in the S-8252 Series. The VM pin is pulled up by  $R_{VMD}$ .

$R_{VMS}$  is not connected in the overdischarge status.

#### 3.1 With power-down function

Under the overdischarge status, when voltage difference between the VM pin and VDD pin is 0.8 V typ. or lower, the power-down function works and the current consumption is reduced to the current consumption during power-down ( $I_{PDN}$ ). By connecting a battery charger, the power-down function is released when the VM pin voltage is 0.7 V typ. or lower.

- When a battery is not connected to a charger and the VM pin voltage  $\geq 0.7$  V typ., the S-8252 Series maintains the overdischarge status even when the battery voltage reaches  $V_{DU}$  or higher.
- When a battery is connected to a charger and 0.7 V typ. > the VM pin voltage >  $-0.7$  V typ., the battery voltage reaches  $V_{DU}$  or higher and the S-8252 Series releases the overdischarge status.
- When a battery is connected to a charger and  $-0.7$  V typ.  $\geq$  the VM pin voltage, the battery voltage reaches  $V_{DL}$  or higher and the S-8252 Series releases the overdischarge status.

#### 3.2 Without power-down function

The power-down function does not work even when voltage difference between the VM pin and VDD pin is 0.8 V typ. or lower.

- When a battery is not connected to a charger and the VM pin voltage  $\geq 0.7$  V typ., the battery voltage reaches  $V_{DU}$  or higher and the S-8252 Series releases the overdischarge status.
- When a battery is connected to a charger and 0.7 V typ. > the VM pin voltage >  $-0.7$  V typ., the battery voltage reaches  $V_{DU}$  or higher and the S-8252 Series releases the overdischarge status.
- When a battery is connected to a charger and  $-0.7$  V typ.  $\geq$  the VM pin voltage, the battery voltage reaches  $V_{DL}$  or higher and the S-8252 Series releases the overdischarge status.

### 4. Discharge overcurrent status (Discharge overcurrent, load short-circuiting)

When a battery in the normal status is in the status where the voltage of the VM pin is equal to or higher than  $V_{DIOV}$  because the discharge current is equal to or higher than the specified value and the status lasts for the discharge overcurrent detection delay time ( $t_{DIOV}$ ) or longer, the discharge control FET is turned off and discharging is stopped. This status is called the discharge overcurrent status.

In the discharge overcurrent status, the VM pin and VSS pin are shorted by the  $R_{VMS}$  in the S-8252 Series. However, the voltage of the VM pin is at the  $V_{DD}$  potential due to the load as long as the load is connected. When the load is disconnected, the VM pin returns to the  $V_{SS}$  potential.

If the voltage at the VM pin returns to  $V_{DIOV}$  or lower, the S-8252 Series releases the discharge overcurrent status.

$R_{VMD}$  is not connected in the discharge overcurrent detection status.

### 5. Charge overcurrent status (with charge overcurrent detection function)

When a battery in the normal status is in the status where the voltage of the VM pin is equal to or lower than  $V_{CIOV}$  because the charge current is equal to or higher than the specified value and the status lasts for the charge overcurrent detection delay time ( $t_{CIOV}$ ) or longer, the charge control FET is turned off and charging is stopped. This status is called the charge overcurrent status.

The S-8252 Series releases the charge overcurrent status when the voltage at the VM pin returns to  $V_{CIOV}$  or higher by removing the charger.

The charge overcurrent detection function does not work in the overdischarge status.

$R_{VMD}$  and  $R_{VMS}$  are not connected in the charge overcurrent detection status.

### 6. Abnormal charge current status (without charge overcurrent detection function)

If the VM pin voltage falls below the charger detection voltage ( $V_{CHA}$ ) during charging under normal status and it continues for the overcharge detection delay time ( $t_{CU}$ ) or longer, the charging control FET turns off and charging stops. This action is called the abnormal charge current status.

Abnormal charge current status is released when the voltage difference between VM pin and VSS pin becomes less than charger detection voltage ( $V_{CHA}$ ).

**7. 0 V battery charge enabled**

This function is used to recharge a connected battery whose voltage is 0 V due to self-discharge. When the 0 V battery charge starting charger voltage ( $V_{0CHA}$ ) or a higher voltage is applied between the EB+ and EB- pins by connecting a charger, the charging control FET gate is fixed to the  $V_{DD}$  potential.

When the voltage between the gate and source of the charging control FET becomes equal to or higher than the threshold voltage due to the charger voltage, the charging control FET is turned on to start charging. At this time, the discharging control FET is off and the charging current flows through the internal parasitic diode in the discharging control FET. When the battery voltage becomes equal to or higher than  $V_{DU}$ , the S-8252 Series returns to the normal status.

- Caution**
1. Some battery providers do not recommend recharging for a completely self-discharged battery. Please ask the battery provider to determine whether to enable or inhibit the 0 V battery charge.
  2. The 0 V battery charge has higher priority than the charge overcurrent detection function. Consequently, a product in which use of the 0 V battery charge is enabled charges a battery forcibly and the charge overcurrent cannot be detected when the battery voltage is lower than  $V_{DL}$ .

**8. 0 V battery charge inhibited**

This function inhibits charging when a battery that is internally short-circuited (0 V battery) is connected. When the battery voltage is the 0 V battery charge inhibition battery voltage ( $V_{0INH}$ ) or lower, the charging control FET gate is fixed to the EB- pin voltage to inhibit charging. When the battery voltage is  $V_{0INH}$  or higher, charging can be performed.

- Caution** Some battery providers do not recommend recharging for a completely self-discharged battery. Please ask the battery provider to determine whether to enable or inhibit the 0 V battery charge.

**9. Delay circuit**

The detection delay times are determined by dividing a clock of approximately 4 kHz by the counter.

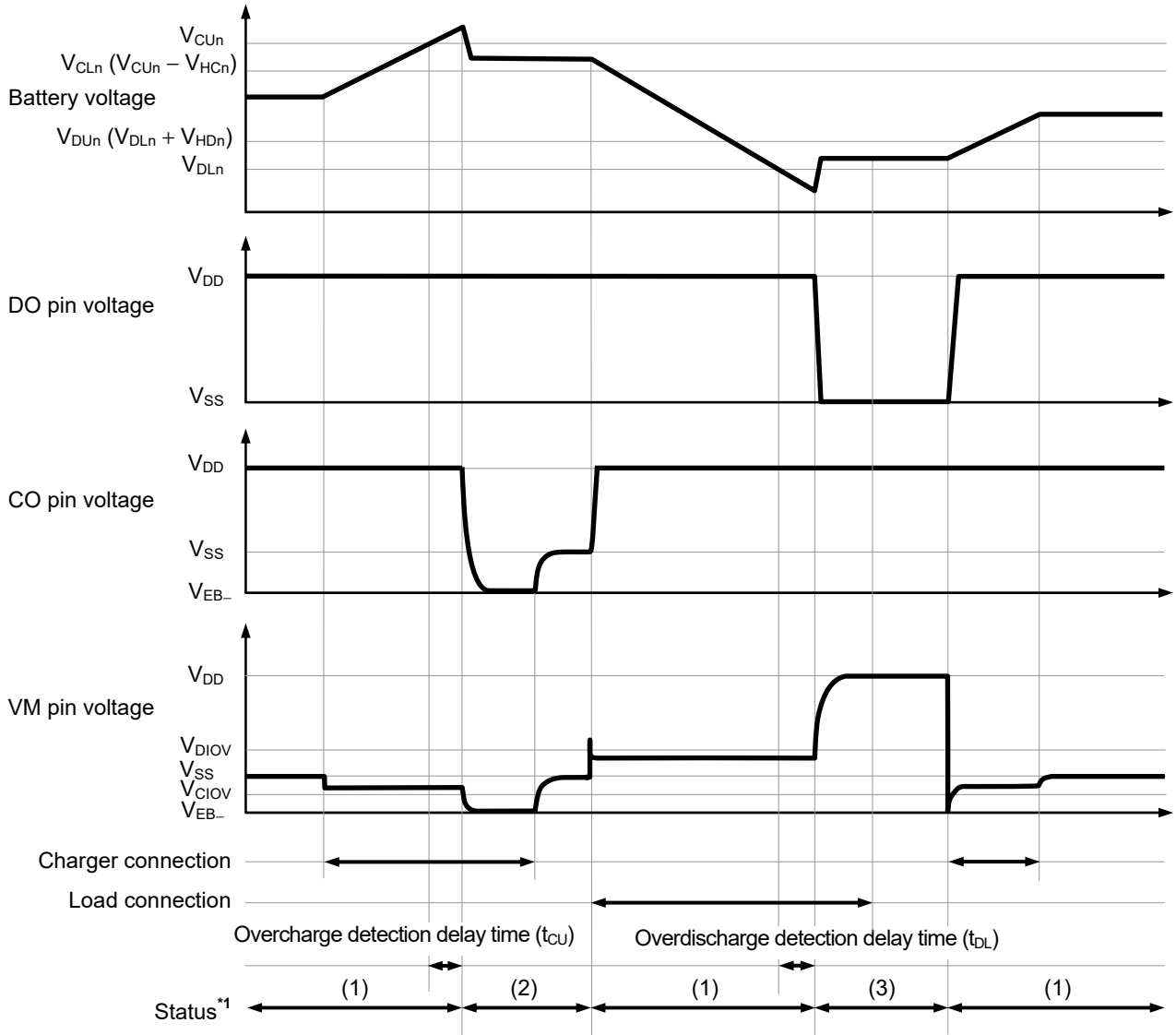
- Remark**  $t_{DIOV}$  and  $t_{SHORT}$  start when  $V_{DIOV}$  is detected. When  $V_{SHORT}$  is detected over  $t_{SHORT}$  after  $V_{DIOV}$ , the S-8252 Series turns the discharging control FET off within  $t_{SHORT}$  from the time of detecting  $V_{SHORT}$ .



Figure 10

■ Timing Chart

1. Overcharge detection, overdischarge detection



- \*1. (1): Normal status  
(2): Overcharge status  
(3): Overdischarge status

**Remark** The charger is assumed to charge with a constant current.

Figure 11

**2. Discharge overcurrent detection**



\*1. (1): Normal status  
 (2): Discharge overcurrent status

**Remark** The charger is assumed to charge with a constant current.

**Figure 12**

3. Charge overcurrent detection



- \*1. (1): Normal status  
 (2): Charge overcurrent status  
 (3): Overdischarge status

**Remark** The charger is assumed to charge with a constant current.

Figure 13

■ **Battery Protection IC Connection Example**

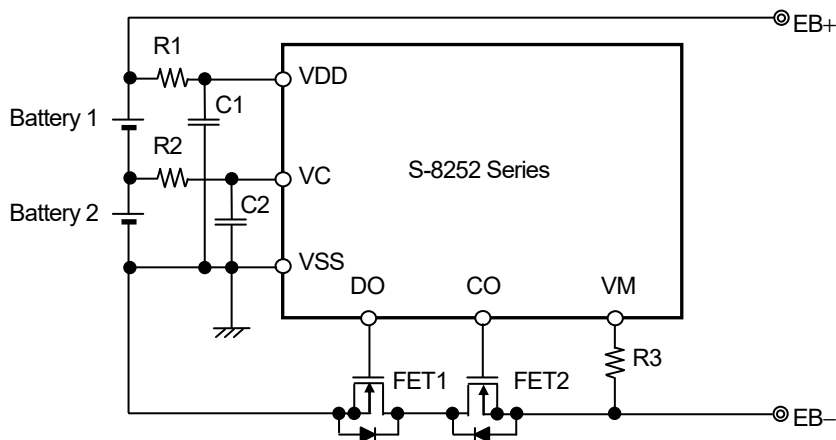


Figure 14

Table 11 Constants for External Components

| Symbol | Part              | Purpose  | Typ.         | Min.                        | Max.                       | Remark  |
|--------|-------------------|--|--------------|-----------------------------|----------------------------|---|
| FET1   | N-channel MOS FET | Discharge control                              | -            | -                           | -                          | Threshold voltage $\leq$ Overdischarge detection voltage <sup>*2</sup><br>Gate to source withstand voltage $\geq$ Charger voltage <sup>*3</sup> |
| FET2   | N-channel MOS FET | Charge control                                 | -            | -                           | -                          | Threshold voltage $\leq$ Overdischarge detection voltage <sup>*2</sup><br>Gate to source withstand voltage $\geq$ Charger voltage <sup>*3</sup> |
| R1, R2 | Resistor          | ESD protection, For power fluctuation          | 470 $\Omega$ | 150 $\Omega$ <sup>*1</sup>  | 1 k $\Omega$ <sup>*1</sup> | Resistance should be as small as possible to avoid lowering the overcharge detection accuracy due to current consumption. <sup>*4</sup>         |
| C1, C2 | Capacitor         | For power fluctuation                          | 0.1 $\mu$ F  | 0.068 $\mu$ F <sup>*1</sup> | 1.0 $\mu$ F <sup>*1</sup>  | Connect a capacitor of 0.068 $\mu$ F or higher between VDD pin and VSS pin. <sup>*5</sup>   |
| R3     | Resistor          | Protection for reverse connection of a charger | 2 k $\Omega$ | 300 $\Omega$ <sup>*1</sup>  | 4 k $\Omega$ <sup>*1</sup> | Select as large a resistance as possible to prevent current when a charger is connected in reverse. <sup>*6</sup>                               |

\*1. Please set up a filter constant to be  $R1 \times C1 = R2 \times C2$ .

\*2. If the threshold voltage of an FET is low, the FET may not cut the charge current. If an FET with a threshold voltage equal to or higher than the overdischarge detection voltage is used, discharging may be stopped before overdischarge is detected.

\*3. If the withstand voltage between the gate and source is equal to or lower than the charger voltage, the FET may be destroyed.

\*4. An accuracy of overcharge detection voltage is guaranteed by  $R1 = 470 \Omega$ . Connecting resistors with other values worsen the accuracy. In case of connecting larger resistor to R1, the voltage between the VDD pin and VSS pin may exceed the absolute maximum rating because the current flows to the S-8252 Series from the charger due to reverse connection of charger. Connect a resistor of 150  $\Omega$  or more to R1 for ESD protection.

\*5. When connecting a resistor of 150  $\Omega$  or less to R1 or R2 or a capacitor of 0.068  $\mu$ F or less to C1 or C2, the S-8252 Series may malfunction when power dissipation is largely fluctuated.

\*6. When a resistor of 4 k $\Omega$  or more is connected to R3, the charge current may not be cut.

**Caution 1. The constants may be changed without notice.**

- It has not been confirmed whether the operation is normal or not in circuits other than the connection example. In addition, the connection example and the constants do not guarantee proper operation. Perform thorough evaluation using the actual application to set the constants.

■ **Precautions**

- The application conditions for the input voltage, output voltage, and load current should not exceed the package power dissipation.
- Do not apply an electrostatic discharge to this IC that exceeds the performance ratings of the built-in electrostatic protection circuit.
- ABLIC Inc. claims no responsibility for any and all disputes arising out of or in connection with any infringement by products including this IC of patents owned by a third party.

■ Characteristics (Typical Data)

1. Current consumption

1. 1  $I_{OPE}$  vs.  $T_a$



1. 2  $I_{PDN}$  vs.  $T_a$



1. 3  $I_{OPE}$  vs.  $V_{DD}$





**2. Overcharge detection / release voltage, overdischarge detection / release voltage, overcurrent detection voltage, charge overcurrent detection voltage, and delay time**

**2.1  $V_{CU}$  vs.  $T_a$**



**2.2  $V_{CL}$  vs.  $T_a$**



**2.3  $V_{DL}$  vs.  $T_a$**



**2.4  $V_{DU}$  vs.  $T_a$**



**2.5  $t_{CU}$  vs.  $T_a$**



**2.6  $t_{DL}$  vs.  $T_a$**



**2.7  $V_{DIOV}$  vs.  $T_a$**



**2.8  $t_{DIOV}$  vs.  $V_{DD}$**



**2. 9  $t_{DIOV}$  vs.  $T_a$**



**2. 10  $V_{CIOV}$  vs.  $T_a$**



**2. 11  $t_{CIOV}$  vs.  $V_{DD}$**



**2. 12  $t_{CIOV}$  vs.  $T_a$**



**2. 13  $V_{SHORT}$  vs.  $T_a$**



**2. 14  $t_{SHORT}$  vs.  $V_{DD}$**



**2. 15  $t_{SHORT}$  vs.  $T_a$**



**3. CO pin / DO pin**

**3.1  $R_{COH}$  vs.  $V_{CO}$**



**3.2  $R_{COL}$  vs.  $V_{CO}$**



**3.3  $R_{DOH}$  vs.  $V_{DO}$**



**3.4  $R_{DOL}$  vs.  $V_{DO}$**



■ **Marking Specifications**

1. **SOT-23-6**



(1) to (3):  
 (4):

Product code (Refer to **Product name vs. Product code**)  
 Lot number

**Product name vs. Product code**

| Product Name    | Product Code |     |     |
|-----------------|--------------|-----|-----|
|                 | (1)          | (2) | (3) |
| S-8252AAA-M6T1U | C            | G   | A   |
| S-8252AAB-M6T1U | C            | G   | B   |
| S-8252AAC-M6T1U | C            | G   | C   |
| S-8252AAD-M6T1U | C            | G   | D   |
| S-8252AAE-M6T1U | C            | G   | E   |
| S-8252AAF-M6T1U | C            | G   | F   |
| S-8252AAG-M6T1U | C            | G   | G   |
| S-8252AAH-M6T1U | C            | G   | H   |
| S-8252AAI-M6T1U | C            | G   | I   |
| S-8252AAJ-M6T1U | C            | G   | J   |
| S-8252AAK-M6T1U | C            | G   | K   |
| S-8252AAL-M6T1U | C            | G   | L   |
| S-8252AAO-M6T1U | C            | G   | O   |
| S-8252AAP-M6T1U | C            | G   | P   |
| S-8252AAQ-M6T1U | C            | G   | Q   |
| S-8252AAR-M6T1U | C            | G   | R   |
| S-8252AAS-M6T1U | C            | G   | S   |
| S-8252AAT-M6T1U | C            | G   | T   |
| S-8252AAU-M6T1U | C            | G   | U   |
| S-8252AAV-M6T1U | C            | G   | V   |
| S-8252AAW-M6T1U | C            | G   | W   |
| S-8252AAX-M6T1U | C            | G   | X   |
| S-8252AAZ-M6T1U | C            | G   | Y   |
| S-8252AAZ-M6T1U | C            | G   | Z   |
| S-8252ABA-M6T1U | C            | H   | A   |
| S-8252ABB-M6T1U | C            | H   | B   |
| S-8252ABC-M6T1U | C            | H   | C   |
| S-8252ABD-M6T1U | C            | H   | D   |
| S-8252ABE-M6T1U | C            | H   | E   |
| S-8252ABF-M6T1U | C            | H   | F   |
| S-8252ABG-M6T1U | C            | H   | G   |
| S-8252ABH-M6T1U | C            | H   | H   |

| Product Name    | Product Code |     |     |
|-----------------|--------------|-----|-----|
|                 | (1)          | (2) | (3) |
| S-8252ABI-M6T1U | C            | H   | I   |
| S-8252ABQ-M6T1U | C            | H   | Q   |
| S-8252ABR-M6T1U | C            | H   | R   |
| S-8252ABS-M6T1U | C            | H   | S   |
| S-8252ABT-M6T1U | C            | H   | T   |
| S-8252ABU-M6T1U | C            | H   | U   |
| S-8252ABV-M6T1U | C            | H   | V   |
| S-8252ABW-M6T1U | C            | H   | W   |
| S-8252ABX-M6T1U | C            | H   | X   |
| S-8252ABY-M6T1U | C            | H   | Y   |
| S-8252ABZ-M6T1U | C            | H   | Z   |
| S-8252ACA-M6T1U | C            | B   | A   |
| S-8252ACB-M6T1U | C            | B   | B   |
| S-8252ACC-M6T1U | C            | B   | C   |
| S-8252ACE-M6T1U | C            | B   | E   |
| S-8252ACF-M6T1U | C            | B   | F   |
| S-8252ACI-M6T1U | C            | B   | I   |
| S-8252ACM-M6T1U | C            | B   | M   |
| S-8252ACN-M6T1U | C            | B   | N   |
| S-8252ACO-M6T1U | C            | B   | O   |
| S-8252ACP-M6T1U | C            | B   | P   |
| S-8252ACQ-M6T1U | C            | B   | Q   |
| S-8252ACR-M6T1U | C            | B   | R   |
| S-8252ACS-M6T1U | C            | B   | S   |
| S-8252ACT-M6T1U | C            | B   | T   |
| S-8252ACU-M6T1U | C            | B   | U   |
| S-8252ACV-M6T1U | C            | B   | V   |
| S-8252ACW-M6T1U | C            | B   | W   |
| S-8252ACX-M6T1U | C            | B   | X   |
| S-8252ACY-M6T1U | C            | B   | Y   |
| S-8252ADC-M6T1U | C            | 1   | C   |

# BATTERY PROTECTION IC FOR 2-SERIAL-CELL PACK S-8252 Series

Rev.4.0\_00

## 2. SNT-6A



(1) to (3):  
(4) to (6):

Product code (Refer to **Product name vs. Product code**)  
Lot number

### Product name vs. Product code

| Product Name    | Product Code |     |     |
|-----------------|--------------|-----|-----|
|                 | (1)          | (2) | (3) |
| S-8252AAA-I6T1U | C            | G   | A   |
| S-8252AAH-I6T1U | C            | G   | H   |
| S-8252AAM-I6T1U | C            | G   | M   |
| S-8252AAN-I6T1U | C            | G   | N   |
| S-8252AAY-I6T1U | C            | G   | Y   |
| S-8252ABJ-I6T1U | C            | H   | J   |
| S-8252ABK-I6T1U | C            | H   | K   |
| S-8252ABL-I6T1U | C            | H   | L   |
| S-8252ABM-I6T1U | C            | H   | M   |
| S-8252ABO-I6T1U | C            | H   | O   |
| S-8252ABP-I6T1U | C            | H   | P   |
| S-8252ACD-I6T1U | C            | B   | D   |
| S-8252ACG-I6T1U | C            | B   | G   |
| S-8252ACH-I6T1U | C            | B   | H   |
| S-8252ACJ-I6T1U | C            | B   | J   |
| S-8252ACK-I6T1U | C            | B   | K   |
| S-8252ACL-I6T1U | C            | B   | L   |
| S-8252ACZ-I6T1U | C            | B   | Z   |
| S-8252ADA-I6T1U | C            | 1   | A   |
| S-8252ADB-I6T1U | C            | 1   | B   |
| S-8252ADD-I6T1U | C            | 1   | D   |
| S-8252ADE-I6T1U | C            | 1   | E   |
| S-8252ADF-I6T1U | C            | 1   | F   |
| S-8252ADH-I6T1U | C            | 1   | H   |
| S-8252ADI-I6T1U | C            | 1   | I   |
| S-8252ADJ-I6T1U | C            | 1   | J   |
| S-8252ADK-I6T1U | C            | 1   | K   |
| S-8252ADL-I6T1U | C            | 1   | L   |
| S-8252ADM-I6T1U | C            | 1   | M   |



No. MP006-A-P-SD-2.1

|                   |                         |
|-------------------|-------------------------|
| TITLE             | SOT236-A-PKG Dimensions |
| No.               | MP006-A-P-SD-2.1        |
| ANGLE             |                         |
| UNIT              | mm                      |
|                   |                         |
| <b>ABLIC Inc.</b> |                         |



No. MP006-A-C-SD-3.1

|                   |                       |
|-------------------|-----------------------|
| TITLE             | SOT236-A-Carrier Tape |
| No.               | MP006-A-C-SD-3.1      |
| ANGLE             |                       |
| UNIT              | mm                    |
| <b>ABLIC Inc.</b> |                       |



Enlarged drawing in the central part



No. MP006-A-R-SD-2.1

|                   |                  |     |       |
|-------------------|------------------|-----|-------|
| TITLE             | SOT236-A-Reel    |     |       |
| No.               | MP006-A-R-SD-2.1 |     |       |
| ANGLE             |                  | QTY | 3,000 |
| UNIT              | mm               |     |       |
|                   |                  |     |       |
| <b>ABLIC Inc.</b> |                  |     |       |





No. PG006-A-P-SD-2.1

|                   |                         |
|-------------------|-------------------------|
| TITLE             | SNT-6A-A-PKG Dimensions |
| No.               | PG006-A-P-SD-2.1        |
| ANGLE             |                         |
| UNIT              | mm                      |
| <b>ABLIC Inc.</b> |                         |



Feed direction →

No. PG006-A-C-SD-2.0

|                   |                       |
|-------------------|-----------------------|
| TITLE             | SNT-6A-A-Carrier Tape |
| No.               | PG006-A-C-SD-2.0      |
| ANGLE             |                       |
| UNIT              | mm                    |
|                   |                       |
| <b>ABLIC Inc.</b> |                       |



Enlarged drawing in the central part



No. PG006-A-R-SD-1.0

|                   |                  |      |       |
|-------------------|------------------|------|-------|
| TITLE             | SNT-6A-A-Reel    |      |       |
| No.               | PG006-A-R-SD-1.0 |      |       |
| ANGLE             |                  | QTY. | 5,000 |
| UNIT              | mm               |      |       |
|                   |                  |      |       |
| <b>ABLIC Inc.</b> |                  |      |       |



※1. ランドパターンの幅に注意してください (0.25 mm min. / 0.30 mm typ.).  
 ※2. パッケージ中央にランドパターンを広げないでください (1.30 mm ~ 1.40 mm)。

- 注意
1. パッケージのモールド樹脂下にシルク印刷やハンダ印刷などしないでください。
  2. パッケージ下の配線上のソルダーレジストなどの厚みをランドパターン表面から0.03 mm以下にしてください。
  3. マスク開口サイズと開口位置はランドパターンと合わせてください。
  4. 詳細は "SNTパッケージ活用の手引き" を参照してください。

※1. Pay attention to the land pattern width (0.25 mm min. / 0.30 mm typ.).  
 ※2. Do not widen the land pattern to the center of the package ( 1.30 mm ~ 1.40 mm ).

- Caution**
1. Do not do silkscreen printing and solder printing under the mold resin of the package.
  2. The thickness of the solder resist on the wire pattern under the package should be 0.03 mm or less from the land pattern surface.
  3. Match the mask aperture size and aperture position with the land pattern.
  4. Refer to "SNT Package User's Guide" for details.

※1. 请注意焊盘模式的宽度 (0.25 mm min. / 0.30 mm typ.).  
 ※2. 请勿向封装中间扩展焊盘模式 (1.30 mm ~ 1.40 mm)。

- 注意
1. 请勿在树脂型封装的下面印刷丝网、焊锡。
  2. 在封装下、布线上的阻焊膜厚度 (从焊盘模式表面起) 请控制在 0.03 mm 以下。
  3. 钢网的开口尺寸和开口位置请与焊盘模式对齐。
  4. 详细内容请参阅 "SNT 封装的应用指南"。

No. PG006-A-L-SD-4.1

|                   |                                  |
|-------------------|----------------------------------|
| TITLE             | SNT-6A-A<br>-Land Recommendation |
| No.               | PG006-A-L-SD-4.1                 |
| ANGLE             |                                  |
| UNIT              | mm                               |
|                   |                                  |
| <b>ABLIC Inc.</b> |                                  |

## Disclaimers (Handling Precautions)

1. All the information described herein (product data, specifications, figures, tables, programs, algorithms and application circuit examples, etc.) is current as of publishing date of this document and is subject to change without notice.
2. The circuit examples and the usages described herein are for reference only, and do not guarantee the success of any specific mass-production design.  
ABLIC Inc. is not liable for any losses, damages, claims or demands caused by the reasons other than the products described herein (hereinafter "the products") or infringement of third-party intellectual property right and any other right due to the use of the information described herein.
3. ABLIC Inc. is not liable for any losses, damages, claims or demands caused by the incorrect information described herein.
4. Be careful to use the products within their ranges described herein. Pay special attention for use to the absolute maximum ratings, operation voltage range and electrical characteristics, etc.  
ABLIC Inc. is not liable for any losses, damages, claims or demands caused by failures and / or accidents, etc. due to the use of the products outside their specified ranges.
5. Before using the products, confirm their applications, and the laws and regulations of the region or country where they are used and verify suitability, safety and other factors for the intended use.
6. When exporting the products, comply with the Foreign Exchange and Foreign Trade Act and all other export-related laws, and follow the required procedures.
7. The products are strictly prohibited from using, providing or exporting for the purposes of the development of weapons of mass destruction or military use. ABLIC Inc. is not liable for any losses, damages, claims or demands caused by any provision or export to the person or entity who intends to develop, manufacture, use or store nuclear, biological or chemical weapons or missiles, or use any other military purposes.
8. The products are not designed to be used as part of any device or equipment that may affect the human body, human life, or assets (such as medical equipment, disaster prevention systems, security systems, combustion control systems, infrastructure control systems, vehicle equipment, traffic systems, in-vehicle equipment, aviation equipment, aerospace equipment, and nuclear-related equipment), excluding when specified for in-vehicle use or other uses by ABLIC, Inc. Do not apply the products to the above listed devices and equipments.  
ABLIC Inc. is not liable for any losses, damages, claims or demands caused by unauthorized or unspecified use of the products.
9. In general, semiconductor products may fail or malfunction with some probability. The user of the products should therefore take responsibility to give thorough consideration to safety design including redundancy, fire spread prevention measures, and malfunction prevention to prevent accidents causing injury or death, fires and social damage, etc. that may ensue from the products' failure or malfunction.  
The entire system in which the products are used must be sufficiently evaluated and judged whether the products are allowed to apply for the system on customer's own responsibility.
10. The products are not designed to be radiation-proof. The necessary radiation measures should be taken in the product design by the customer depending on the intended use.
11. The products do not affect human health under normal use. However, they contain chemical substances and heavy metals and should therefore not be put in the mouth. The fracture surfaces of wafers and chips may be sharp. Be careful when handling these with the bare hands to prevent injuries, etc.
12. When disposing of the products, comply with the laws and ordinances of the country or region where they are used.
13. The information described herein contains copyright information and know-how of ABLIC Inc. The information described herein does not convey any license under any intellectual property rights or any other rights belonging to ABLIC Inc. or a third party. Reproduction or copying of the information from this document or any part of this document described herein for the purpose of disclosing it to a third-party is strictly prohibited without the express permission of ABLIC Inc.
14. For more details on the information described herein or any other questions, please contact ABLIC Inc.'s sales representative.
15. This Disclaimers have been delivered in a text using the Japanese language, which text, despite any translations into the English language and the Chinese language, shall be controlling.

2.4-2019.07

# Mouser Electronics

Authorized Distributor

Click to View Pricing, Inventory, Delivery & Lifecycle Information:

## ABLIC:

[S-8252AAS-M6T1U](#) [S-8252AAV-M6T1U](#) [S-8252AAO-M6T1U](#) [S-8252AAK-M6T1U](#) [S-8252AAQ-M6T1U](#) [S-8252AAP-M6T1U](#) [S-8252AAW-M6T1U](#) [S-8252AAT-M6T1U](#) [S-8252AAH-I6T1U](#) [S-8252AAN-I6T1U](#) [S-8252AAL-M6T1U](#) [S-8252AAU-M6T1U](#) [S-8252AAM-I6T1U](#) [S-8252AAX-M6T1U](#) [S-8252AAD-M6T1U](#) [S-8252AAE-M6T1U](#) [S-8252AAJ-M6T1U](#) [S-8252AAC-M6T1U](#) [S-8252AAG-M6T1U](#) [S-8252AAF-M6T1U](#) [S-8252AAA-I6T1U](#) [S-8252AAA-M6T1U](#) [S-8252AAB-M6T1U](#) [S-8252AAH-M6T1U](#) [S-8252AAI-M6T1U](#) [S-8252ACC-M6T1U](#) [S-8252ABR-M6T1U](#) [S-8252ABV-M6T1U](#) [S-8252ABH-M6T1U](#) [S-8252ABN-M6T1U](#) [S-8252ABQ-M6T1U](#) [S-8252ABE-M6T1U](#) [S-8252ABG-M6T1U](#) [S-8252ABW-M6T1U](#) [S-8252ABM-I6T1U](#) [S-8252ABP-I6T1U](#) [S-8252ABIU-M6T1U](#) [S-8252ABC-M6T1U](#) [S-8252ABS-M6T1U](#) [S-8252ABZ-M6T1U](#) [S-8252AAZ-M6T1U](#) [S-8252ABA-M6T1U](#) [S-8252ABKL-I6T1U](#) [S-8252ACB-M6T1U](#) [S-8252ABD-M6T1U](#) [S-8252ABF-M6T1U](#) [S-8252AAM-M6T1U](#) [S-8252AAR-M6T1U](#) [S-8252ABY-M6T1U](#) [S-8252AAY-M6T1U](#) [S-8252ABB-M6T1U](#) [S-8252ABO-I6T1U](#) [S-8252ABI-M6T1U](#) [S-8252ACA-M6T1U](#) [S-8252ABT-M6T1U](#) [S-8252ABK-I6T1U](#) [S-8252ABJ-I6T1U](#) [S-8252AAY-I6T1U](#) [S-8252ABX-M6T1U](#) [S-8252AAD-I6T1U](#) [S-8252ABL-I6T1U](#) [S-8252ABU-M6T1U](#) [S-8252ACD-I6T1U](#) [S-8252ACE-M6T1U](#) [S-8252ACF-M6T1U](#) [S-8252ADF-I6T1U](#) [S-8252ADH-I6T1U](#) [S-8252ADI-I6T1U](#) [S-8252ADJ-I6T1U](#) [S-8252ADK-I6T1U](#) [S-8252ADL-I6T1U](#) [S-8252ACZ-I6T1U](#) [S-8252ADA-I6T1U](#) [S-8252ADB-I6T1U](#) [S-8252ADC-M6T1U](#) [S-8252ADD-I6T1U](#) [S-8252ADE-I6T1U](#) [S-8252ACT-M6T1U](#) [S-8252ACU-M6T1U](#) [S-8252ACV-M6T1U](#) [S-8252ACW-M6T1U](#) [S-8252ACX-M6T1U](#) [S-8252ACY-M6T1U](#) [S-8252ACN-M6T1U](#) [S-8252ACO-M6T1U](#) [S-8252ACP-M6T1U](#) [S-8252ACQ-M6T1U](#) [S-8252ACR-M6T1U](#) [S-8252ACS-M6T1U](#) [S-8252ACG-I6T1U](#) [S-8252ACH-I6T1U](#) [S-8252ACI-M6T1U](#) [S-8252ACJ-I6T1U](#) [S-8252ACK-I6T1U](#) [S-8252ACL-I6T1U](#)

Компания «Life Electronics» занимается поставками электронных компонентов импортного и отечественного производства от производителей и со складов крупных дистрибьюторов Европы, Америки и Азии.

С конца 2013 года компания активно расширяет линейку поставок компонентов по направлению коаксиальный кабель, кварцевые генераторы и конденсаторы (керамические, пленочные, электролитические), за счёт заключения дистрибьюторских договоров

Мы предлагаем:

- Конкуренеспособные цены и скидки постоянным клиентам.
- Специальные условия для постоянных клиентов.
- Подбор аналогов.
- Поставку компонентов в любых объемах, удовлетворяющих вашим потребностям.
- Приемлемые сроки поставки, возможна ускоренная поставка.
- Доставку товара в любую точку России и стран СНГ.
- Комплексную поставку.
- Работу по проектам и поставку образцов.
- Формирование склада под заказчика.
- Сертификаты соответствия на поставляемую продукцию (по желанию клиента).
- Тестирование поставляемой продукции.
- Поставку компонентов, требующих военную и космическую приемку.
- Входной контроль качества.
- Наличие сертификата ISO.

В составе нашей компании организован Конструкторский отдел, призванный помогать разработчикам, и инженерам.

Конструкторский отдел помогает осуществить:

- Регистрацию проекта у производителя компонентов.
- Техническую поддержку проекта.
- Защиту от снятия компонента с производства.
- Оценку стоимости проекта по компонентам.
- Изготовление тестовой платы монтаж и пусконаладочные работы.



Тел: +7 (812) 336 43 04 (многоканальный)

Email: [org@lifeelectronics.ru](mailto:org@lifeelectronics.ru)