

UTP

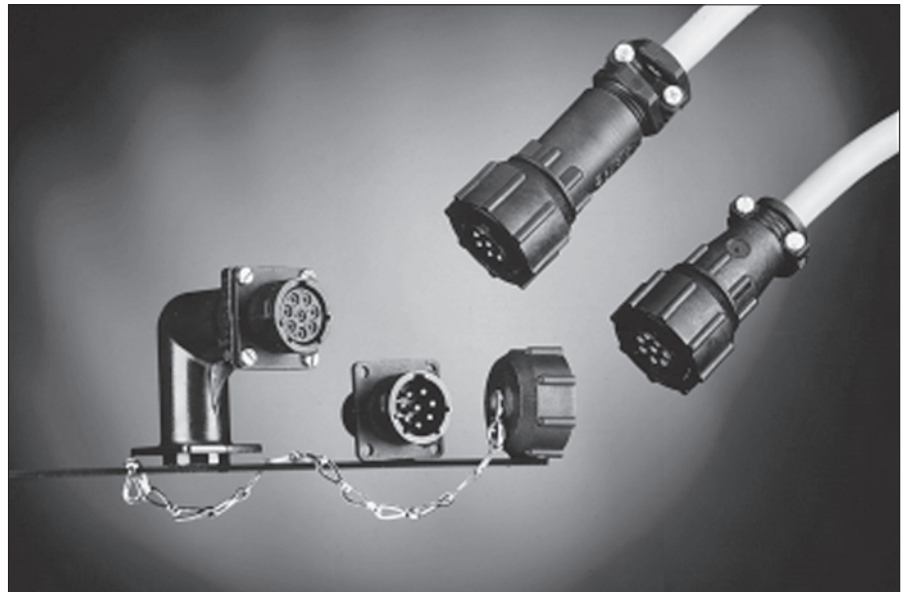


Full plastic circular connector

Description

"UTP" full plastic industrial circular connectors are a range of multiway connectors.

"UTP" provides the complete answer to the need for economical lightweight, robust circular connectors and is unique in offering a plastic bayonet coupling ring incorporating a metal wave spring, which locks with an audible positive "click". It is available in 8 shell sizes, 10 insert arrangements all intermateable, interchangeable and intermountable with the TRIM TRIO "UTO" (full metal) and "UTG" (plastic with metal coupling ring) industrial connector families.



Features and benefits

- Available in 8 shell sizes and 10 insert arrangements incl. 2 VDE versions.
- Available in plug and receptacle versions for both male and female contacts.
- Connectors and accessories are moulded from highly durable glass-filled thermoplastic.
- Flammability rating: UL94-V0.
- Plastic bayonet ring:
 - Vibration proof thermoplast
 - Metal wave spring loaded.
 - Locks with audible positive "click"
 - UL recognized File Nr.: E238675

Performance characteristics

| | |
|------------------------|----------------------------|
| Operating temperature: | -55°C to +125°C |
| Insulation resistance: | 5000 MΩ min. |
| Test potential: | 2000 VAC |
| Durability: | 250 matings and unmatings. |

Degree of protection per DIN 40050: IP65 in mated condition. "H" version used with water protected backshells.

Construction

Connector, Bayonet ring and accessories
 Glass filled thermoplast UL94-V0
 Colour: black
 Coupling spring: Spring steel

Contact accommodation

- "UTP" connectors accept TRIM TRIO size 16 removable snap-lock contacts (see contacts section)
- Contacts to be ordered separately.

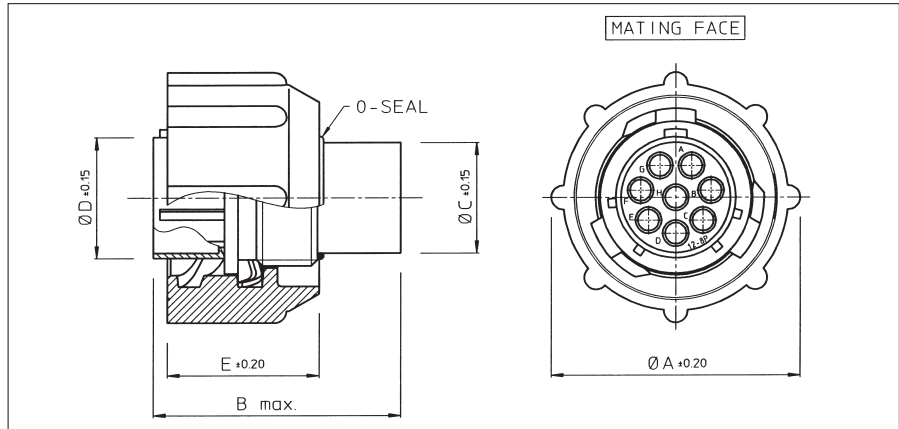
How to order

| | | | | | | | | |
|----------------------------|---|------------|----------|-----------|-----------|----------|----------|----|
| Connector family : | | UTP | 0 | 14 | 12 | P | H | -- |
| | | UTP | 6 | 14 | 12 | S | | -- |
| Body variation: | 0 : Wall mounting receptacle 6 : Cable plug | | | | | | | |
| Shell size: | | | | | | | | |
| Insert arrangement: | | | | | | | | |
| Type of contacts: | P : Pin contacts S : Socket contacts | | | | | | | |
| Application | No letter : Standard version H : Water protected version (only receptacle) | | | | | | | |
| Design variation | No letter : Moulded-in contact marking (standard version) Others : Specials versions | | | | | | | |

UTP



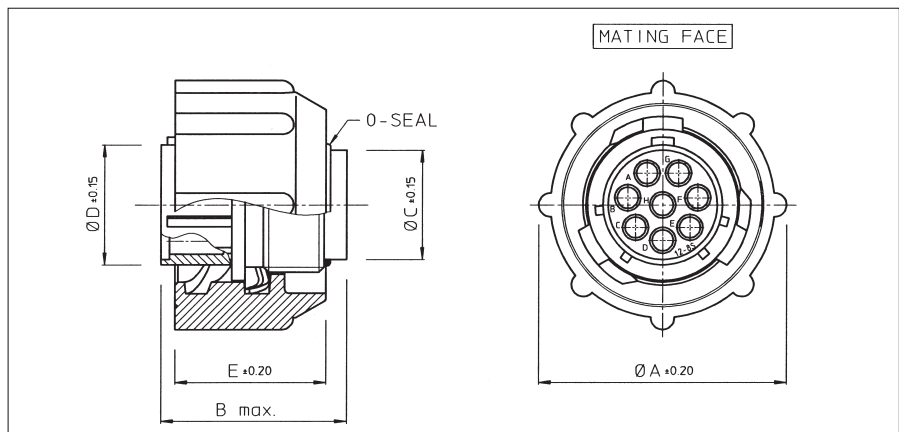
Cable plug for pin contacts (UTP6- - - -P)



| Part number | Shell size | Ø A ±0.2 | B max. | Ø C ±0.15 | Ø D ±0.15 | Ø E ±0.2 |
|---------------------------------|------------|----------|-------------|-----------|-----------|----------|
| UTP6104P / UTP6103PVDE | 10 | 26.7 | 31.8 | 10.9 | 12.2 | 19.1 |
| UTP6128P | 12 | 31.4 | | 13.8 | 15.1 | |
| UTP61412P | 14 | 34.5 | | 17.0 | 18.3 | |
| UTP61619P | 16 | 37.8 | | 19.9 | 21.5 | |
| UTP61823P / UTP6187PVDEU | 18 | 40.8 | 31.8 / 33.0 | 22.4 | 24.0 | |
| UTP62028P | 20 | 43.9 | 31.8 | 25.6 | 27.2 | |
| UTP62235P | 22 | 47.0 | | 28.5 | 30.4 | |
| UTP62448P | 24 | 50.1 | | 31.7 | 33.5 | |

Part numbers are suitable for both standard and IP65 water protection versions.

Cable plug for socket contacts (UTP6- - - -S)



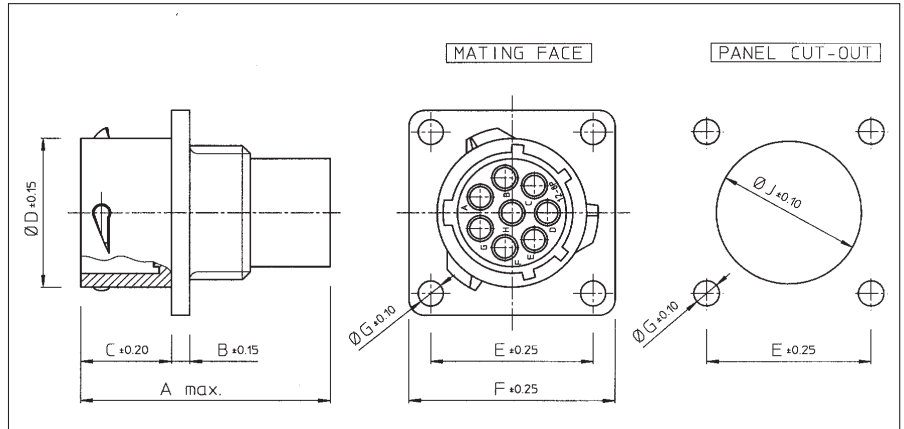
| Part number | Shell size | Ø A ±0.2 | B max. | Ø C ±0.15 | Ø D ±0.15 | Ø E ±0.2 |
|---------------------------------|------------|----------|--------------|-----------|-----------|----------|
| UTP6104S / UTP6103SVDE | 10 | 26.7 | 23.9 / 26.75 | 10.9 | 12.2 | 19.1 |
| UTP6128S | 12 | 31.4 | 23.9 | 13.8 | 15.1 | |
| UTP61412S | 14 | 34.5 | | 17.0 | 18.3 | |
| UTP61619S | 16 | 37.8 | | 19.9 | 21.5 | |
| UTP61823S / UTP6187SVDEU | 18 | 40.8 | 23.9 / 29.0 | 22.4 | 24.0 | |
| UTP62028S | 20 | 43.9 | 24.9 | 25.6 | 27.2 | |
| UTP62235S | 22 | 47.0 | | 28.5 | 30.4 | |
| UTP62448S | 24 | 50.1 | 26.2 | 31.7 | 33.5 | |

Part numbers are suitable for both standard and IP65 water protection versions.

UTP



Wall mounting receptacle for pin contacts (UTP0- - - -P)

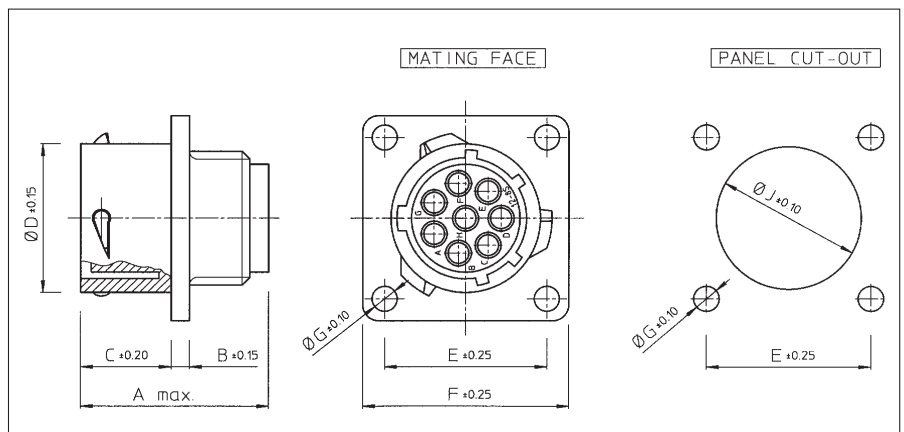


| Part number | Shell size | A max. | B ±0.15 | C ±0.2 | Ø D ±0.15 | E ±0.25 | F ±0.25 | Ø G ±0.1 | Ø J ±0.1 |
|--------------------------|------------|-----------|---------|-----------|-----------|---------|---------|----------|----------|
| UTP0104P / UTP0103PVDE | 10 | 31.7 | 2.3 | 11.3 | 15.0 | 18.3 | 23.8 | 3.2 | 15.1 |
| UTP0128P | 12 | | | | 19.0 | 20.6 | 26.2 | | 18.2 |
| UTP01412P | 14 | | | | 22.2 | 23.0 | 28.6 | | 21.4 |
| UTP01619P | 16 | | | | 25.3 | 24.6 | 31.0 | | 24.6 |
| UTP01823P / UTP0187PVDEU | 18 | 31.7/34.0 | 2.5 | 11.3/17.9 | 28.5 | 27.0 | 33.3 | 3.2 | 27.8 |
| UTP02028P | 20 | 33.3 | | | 3.5 | 14.5 | 31.7 | | 29.4 |
| UTP02235P | 22 | | 34.9 | 31.8 | | 39.7 | 34.1 | | |
| UTP02448P | 24 | | 15.3 | 38.0 | | 34.9 | 42.9 | 3.9 | 37.3 |

For IP65 waterprotected version add "H" behind "P" e.g. UTP01412PH

A square flange sealing has to be ordered separately to guarantee a sealing with the equipment. Refer to "Circular accessories" section (UTFD--).

Wall mounting receptacle for socket contacts (UTP0- - - -S)

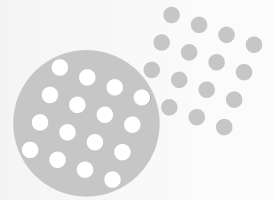


| Part number | Shell size | A max. | B ±0.15 | C ±0.2 | Ø D ±0.15 | E ±0.25 | F ±0.25 | Ø G ±0.1 | Ø J ±0.1 |
|--------------------------|------------|-----------|---------|-----------|-----------|---------|---------|----------|----------|
| UTP0104S / UTP0103SVDE | 10 | 24.3/27.6 | 2.3 | 11.3 | 15.0 | 18.3 | 23.8 | 3.2 | 15.1 |
| UTP0128S | 12 | 24.3 | | | 19.0 | 20.6 | 26.2 | | 18.2 |
| UTP01412S | 14 | | | | 22.2 | 23.0 | 28.6 | | 21.4 |
| UTP01619S | 16 | | | | 25.3 | 24.6 | 31.0 | | 24.6 |
| UTP01823S / UTP0187SVDEU | 18 | 24.3/30.4 | 2.5 | 11.3/17.9 | 28.5 | 27.0 | 33.3 | 3.2 | 27.8 |
| UTP02028S | 20 | 27.0 | | | 14.5 | 31.7 | 29.4 | | 36.5 |
| UTP02235S | 22 | 28.0 | 3.5 | 15.3 | 34.9 | 31.8 | 39.7 | 3.9 | 34.1 |
| UTP02448S | 24 | 30.4 | | | 38.0 | 34.9 | 42.9 | | 37.3 |

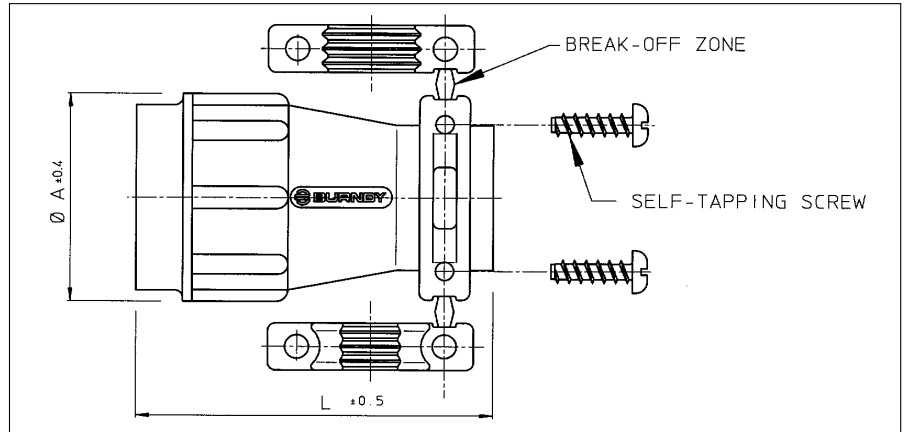
For IP65 waterprotected version add "H" behind "S" e.g. UTP01412SH

A square flange sealing has to be ordered separately to guarantee a sealing with the equipment. Refer to "Circular accessories" section (UTFD--).

Circular accessories



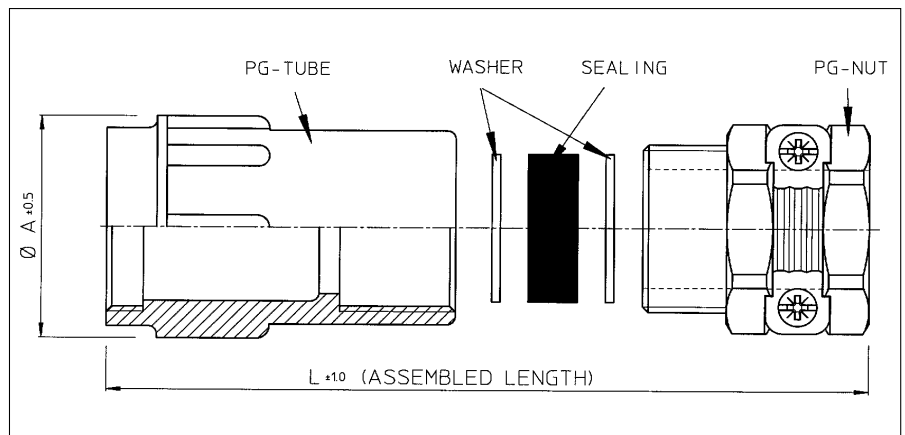
Plastic cable clamp with strain relief (UTG--AC)



| Part number | Shell size | Cable range \varnothing | $\varnothing A \pm 0.4$ | $L \pm 0.5$ |
|-------------|------------|---------------------------|-------------------------|-------------|
| UTG10AC | 10 | 3.0 - 8.7 | 21.0 | 40.0 |
| UTG12AC | 12 | 3.0 - 12.8 | 24.0 | 40.0 |
| UTG14AC | 14 | 4.0 - 13.8 | 27.0 | 46.0 |
| UTG16AC | 16 | 5.0 - 17.0 | 30.2 | 46.0 |
| UTG18AC | 18 | 5.0 - 19.0 | 33.3 | 50.0 |
| UTG20AC | 20 | 5.0 - 21.0 | 36.5 | 55.0 |
| UTG22AC | 22 | 5.0 - 23.0 | 39.7 | 60.0 |
| UTG24AC | 24 | 8.0 - 27.0 | 42.9 | 65.0 |

For threading specifications see last page of this section "Circular accessories"

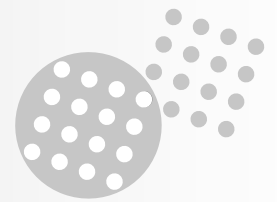
Plastic cable clamp with strain relief nut for waterprotected (IP65) applications (UTG--PG)



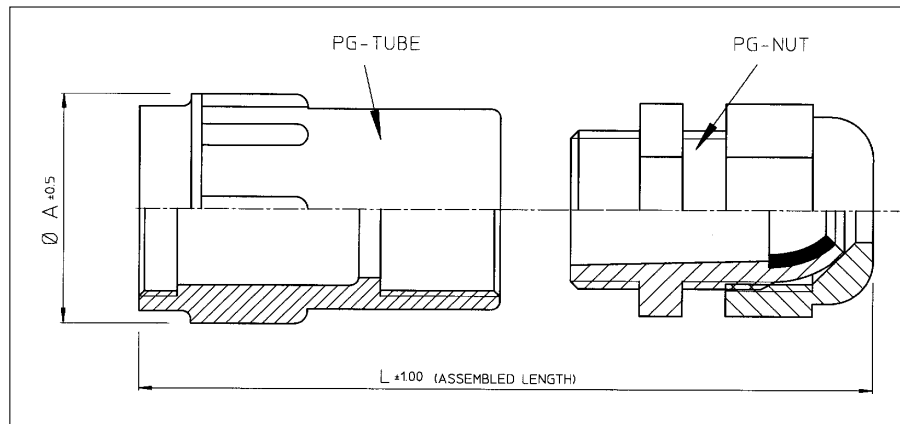
| Part number | Shell size | Sealing* outer dia x inner dia's | $L \pm 1$ | $A \pm 0.5$ |
|-------------|------------|-------------------------------------|-----------|-------------|
| UTG10PG | 10 | 13.5 x 5 x 8 | 54 | 21.0 |
| UTG12PG | 12 | 16 x 7 x 10.5 x 13 x 16 | 57 | 24.0 |
| UTG14PG | 14 | 18.5 x 7 x 10.5 x 13 x 16 | 62 | 27.0 |
| UTG16PG | 16 | 20.5 x 8 x 10.5 x 13 x 16 | 68 | 30.2 |
| UTG18PG | 18 | 20.5 x 8 x 10.5 x 13 x 16 | 71 | 33.3 |
| UTG20PG | 20 | 26 x 11 x 15 x 18 x 22 | 82 | 36.5 |
| UTG22PG | 22 | 26 x 11 x 15 x 18 x 22 | 88 | 39.7 |
| UTG24PG | 24 | 35 x 19 x 23 x 27 x 31 | 103 | 42.9 |

*In order to accommodate different cable dia's, the sealing exists of different layers which can be pulled out easily. Cable clamp has a PG style cable gland. For threading specifications see last page of this section "Circular accessories"

Circular accessories



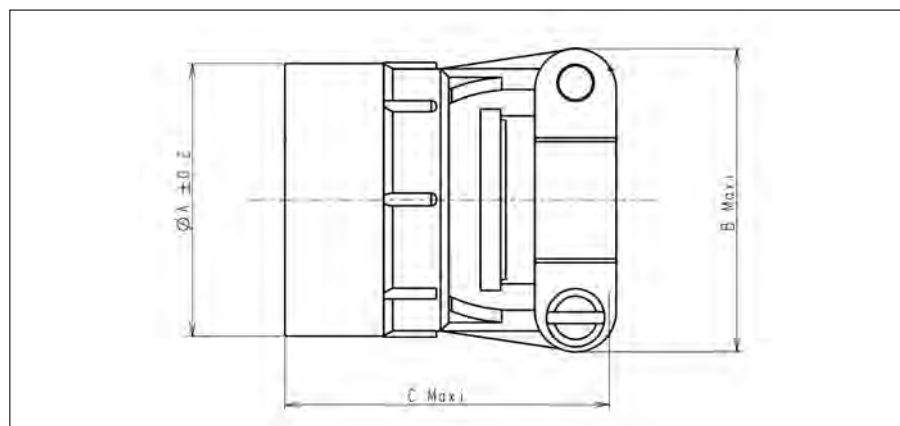
Plastic cable clamp with strain relief nut for waterprotected (IP65) applications (UTG--ST)



| Part number | Shell size | Cable range | Dia. A ±0.5 | L ±1 |
|-------------|------------|-------------|-------------|------|
| UTG10ST | 10 | 2 - 6 | 21.0 | 64 |
| UTG12ST | 12 | 3 - 7 | 24.0 | 64 |
| UTG14ST | 14 | 6 - 9 | 27.0 | 69 |
| UTG16ST | 16 | 7 - 12 | 30.2 | 72 |
| UTG18ST | 18 | | 33.3 | 76 |
| UTG20ST | 20 | 9 - 16 | 36.5 | 80 |
| UTG22ST | 22 | | 39.7 | 86 |
| UTG24ST | 24 | 13 - 20 | 42.9 | 91 |

Cable clamp has a PG style cable gland. For threading specifications see last page of this section "Circular"

Metal cable clamp with strain relief (UT0--AC)

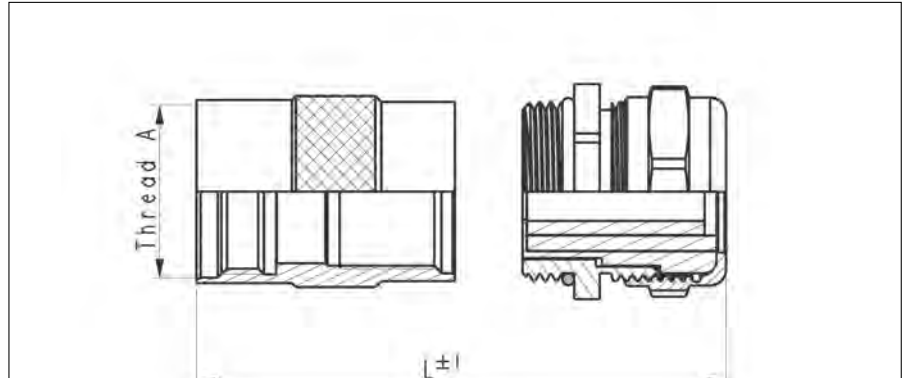


| Part number | Shell size | Max cable dia. Excl. sealing | Ø A ±0.2 | B maxi | C maxi |
|-------------|------------|------------------------------|----------|--------|--------|
| UT010AC | 10 | 5.0 | 16.3 | 21.6 | 31.0 |
| UT012AC | 12 | 8.2 | 19.4 | 25.0 | 31.5 |
| UT014AC | 14 | 10.0 | 22.5 | 27.4 | 34.0 |
| UT016AC | 16 | 13.0 | 25.8 | 29.4 | 34.0 |
| UT018AC | 18 | 16.0 | 29.2 | 35.2 | 31.4 |
| UT020AC | 20 | 16.0 | 32.5 | 35.2 | 32.0 |
| UT022AC | 22 | 19.3 | 35.7 | 41.1 | 31.0 |
| UT024AC | 24 | 20.6 | 38.8 | 42.4 | 31.0 |

For threading specifications see last page of this section "Circular accessories"



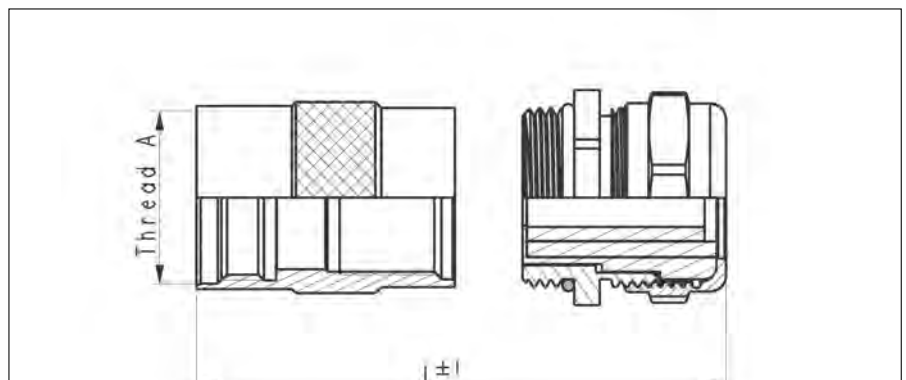
Short cable clamp with strain relief nut for waterprotected applications (IP68). (UT0--JCS)
Long cable clamp with strain relief nut for waterprotected applications (IP68). (UT0--JC)



| Part number | | Shell size | Clamping range (Ø en mm) min / max | L± 1 | | Thread A |
|---------------|--------------|------------|------------------------------------|---------------|--------------|----------------------------|
| Short version | Long version | | | Short version | Long version | |
| UT010JCS | UT010JC | 10 | 03 / 06 | 48.5 | 60.5 | 9/16 – 24 UNEF Class 2A |
| UT012JCS | UT012JC | 12 | 06 / 10 | 49.5 | 61.5 | 11/16 – 24 UNEF Class 2A |
| UT014JCS | UT014JC | 14 | 06 / 10 | 53.5 | 67.5 | 13/16 – 20 UNEF Class 2A |
| UT016JCS | UT016JC | 16 | 9.5 / 14 | 62.5 | 73.5 | 15/16 – 20 UNEF Class 2A |
| UT018JCS | UT018JC | 18 | 9.5 / 14 | 65.5 | 76.0 | 1" 1/16 – 18 UNEF Class 2A |
| UT020JCS | UT020JC | 20 | 11.5 / 18 | 70.5 | 84.0 | 1" 3/16 – 18 UNEF Class 2A |
| UT022JCS | UT022JC | 22 | 11.5 / 18 | 76.5 | 88.0 | 1" 5/16 – 18 UNEF Class 2A |
| UT024JCS | UT024JC | 24 | 11.5 / 18 | 82.0 | 92.0 | 1" 7/16 – 18 UNEF Class 2A |

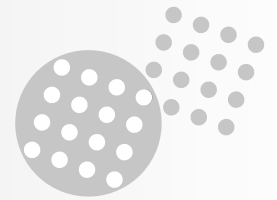
Cable clamp has a Metric style cable gland. For threading specifications see last page of this section "Circular accessories"

Short cable clamp with large strain relief nut for waterprotected applications (IP68). (UT0--JCSL)
Long cable clamp with large strain relief nut for waterprotected applications (IP68). (UT0--JCL)

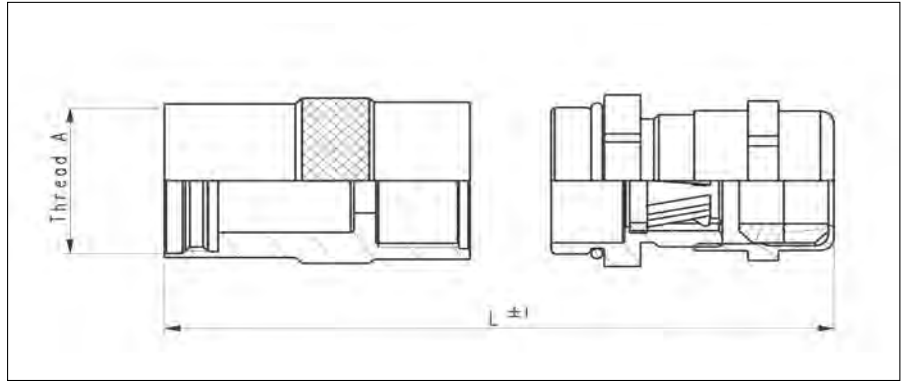


| Part number | | Shell size | Clamping range (Ø en mm) min / max | L± 1 | | Thread A |
|---------------|--------------|------------|------------------------------------|---------------|--------------|----------------------------|
| Short version | Long version | | | Short version | Long version | |
| UT010JCSL | UT010JCL | 10 | 05 / 08 | 49.5 | 61.5 | 9/16 – 24 UNEF Class 2A |
| UT012JCSL | UT012JCL | 12 | 08 / 12 | 49.5 | 62.5 | 11/16 – 24 UNEF Class 2A |
| UT014JCSL | UT014JCL | 14 | 08 / 12 | 54.5 | 68.5 | 13/16 – 20 UNEF Class 2A |
| UT016JCSL | UT016JCL | 16 | 11.5 / 18 | 68.5 | 79.5 | 15/16 – 20 UNEF Class 2A |
| UT018JCSL | UT018JCL | 18 | 11.5 / 18 | 71.5 | 82.0 | 1" 1/16 – 18 UNEF Class 2A |
| UT020JCSL | UT020JCL | 20 | 15 / 24 | 77.5 | 91.0 | 1" 3/16 – 18 UNEF Class 2A |
| UT022JCSL | UT022JCL | 22 | 15 / 24 | 83.5 | 95.0 | 1" 5/16 – 18 UNEF Class 2A |
| UT024JCSL | UT024JCL | 24 | 15 / 24 | 89.0 | 99.0 | 1" 7/16 – 18 UNEF Class 2A |

Cable clamp has a Metric style cable gland. For threading specifications see last page of this section "Circular accessories"



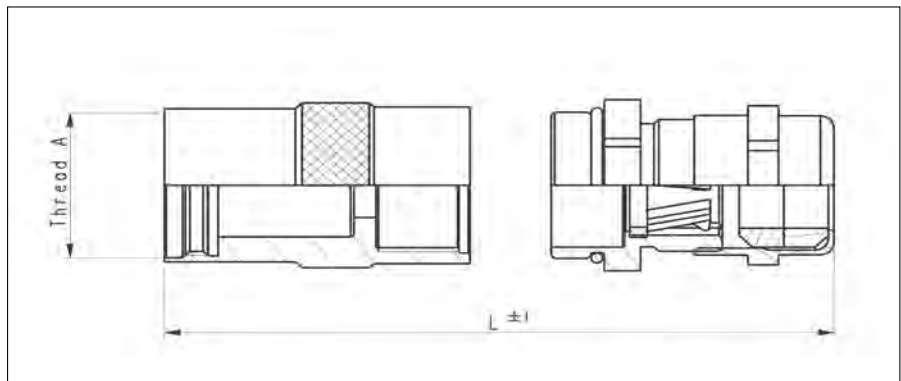
Short shielded cable clamp with strain relief nut for waterprotected applications (IP68). (UT0S----JCS)
Long shielded cable clamp with strain relief nut for waterprotected applications (IP68). (UT0S----JC)



| Part number | | Shell size | Clamping range (Ø en mm) min / max | L ± 1 | | Thread A |
|---------------|--------------|------------|---------------------------------------|---------------|--------------|----------------------------|
| Short version | Long version | | | Short version | Long version | |
| UT0S10JCS | UT0S10JC | 10 | 04 / 6.5 | 58.5 | 70.5 | 9/16 – 24 UNEF Class 2A |
| UT0S12JCS | UT0S12JC | 12 | 07 / 10.5 | 61.5 | 74.5 | 11/16 – 24 UNEF Class 2A |
| UT0S14JCS | UT0S14JC | 14 | 07 / 10.5 | 66.5 | 80.5 | 13/16 – 20 UNEF Class 2A |
| UT0S16JCS | UT0S16JC | 16 | 10 / 14.5 | 72.5 | 83.5 | 15/16 – 20 UNEF Class 2A |
| UT0S18JCS | UT0S18JC | 18 | 10 / 14.5 | 75.5 | 86.0 | 1" 1/16 – 18 UNEF Class 2A |
| UT0S20JCS | UT0S20JC | 20 | 13.5 / 18 | 84.5 | 97.5 | 1" 3/16 – 18 UNEF Class 2A |
| UT0S22JCS | UT0S22JC | 22 | 13.5 / 18 | 90.0 | 101.5 | 1" 5/16 – 18 UNEF Class 2A |
| UT0S24JCS | UT0S24JC | 24 | 13.5 / 18 | 95.5 | 105.5 | 1" 7/16 – 18 UNEF Class 2A |

Cable clamp has a Metric style cable gland. For threading specifications see last page of this section "Circular accessories"

Short shielded cable clamp with large strain relief nut for waterprotected applications (IP68). (UT0S----JCSL)
Long shielded cable clamp with large strain relief nut for waterprotected applications (IP68). (UT0S----JCL)

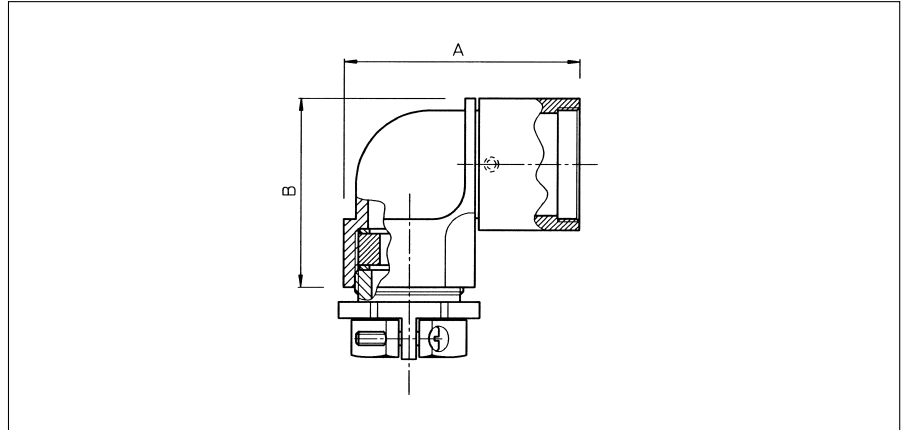


| Part number | | Shell size | Clamping range (Ø en mm) min / max | L ± 1 | | Thread A |
|---------------|--------------|------------|---------------------------------------|---------------|--------------|----------------------------|
| Short version | Long version | | | Short version | Long version | |
| UT0S10JCSL | UT0S10JCL | 10 | 05 / 8.5 | 59.5 | 71.5 | 9/16 – 24 UNEF Class 2A |
| UT0S12JCSL | UT0S12JCL | 12 | 08 / 12.5 | 61.5 | 74.5 | 11/16 – 24 UNEF Class 2A |
| UT0S14JCSL | UT0S14JCL | 14 | 08 / 12.5 | 66.5 | 80.5 | 13/16 – 20 UNEF Class 2A |
| UT0S16JCSL | UT0S16JCL | 16 | 13.5 / 18 | 82.5 | 93.5 | 15/16 – 20 UNEF Class 2A |
| UT0S18JCSL | UT0S18JCL | 18 | 13.5 / 18 | 85.5 | 96.0 | 1" 1/16 – 18 UNEF Class 2A |
| UT0S20JCSL | UT0S20JCL | 20 | 17 / 24 | 93.0 | 106.5 | 1" 3/16 – 18 UNEF Class 2A |
| UT0S22JCSL | UT0S22JCL | 22 | 17 / 24 | 99.0 | 110.5 | 1" 5/16 – 18 UNEF Class 2A |
| UT0S24JCSL | UT0S24JCL | 24 | 17 / 24 | 104.5 | 114.5 | 1" 7/16 – 18 UNEF Class 2A |

Cable clamp has a Metric style cable gland. For threading specifications see last page of this section "Circular accessories"



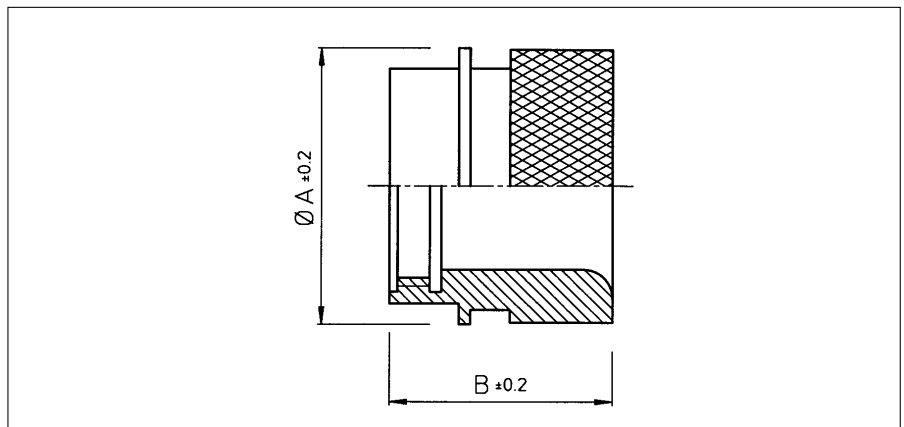
Metal right angle cable clamp with strain relief nut (UTG--LPGN / UTO--LPGN)



| Part number For UTP / UTG | Part number For UTO / UTOW | Shell size | A max | B max | Cable range |
|---------------------------|----------------------------|------------|-------|-------|---------------------------|
| UTG10LPGN | UT010LPGN | 10 | 48.0 | 30.0 | 13.5 x 5 x 8 |
| UTG12LPGN | UT012LPGN | 12 | 50.0 | 33.5 | 16 x 7 x 10.5 x 13 |
| UTG14LPGN | UT014LPGN | 14 | 52.0 | 36.5 | 18.5 x 7 x 10.5 x 13 x 16 |
| UTG16LPGN | UT016LPGN | 16 | 55.0 | 39.5 | 20.5 x 8 x 10.5 x 13 x 16 |
| UTG18LPGN | UT018LPGN | 18 | 60.0 | 46.0 | 20.5 x 8 x 10.5 x 13 x 16 |
| UTG20LPGN | UT020LPGN | 20 | 58.0 | 47.0 | 26 x 11 x 15 x 18 x 22 |
| UTG22LPGN | UT022LPGN | 22 | 58.0 | 48.5 | 26 x 11 x 15 x 18 x 22 |
| UTG24LPGN | UT024LPGN | 24 | 67.0 | 54.5 | 35 x 19 x 23 x 27 x 31 |

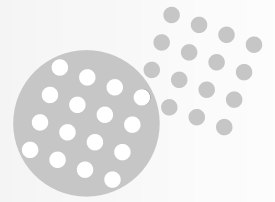
Cable clamp has a PG style cable gland. For threading specifications see last page of this section "Circular accessories"

Metal shrink boot adaptor (UTG--AD) for UTP and UTG

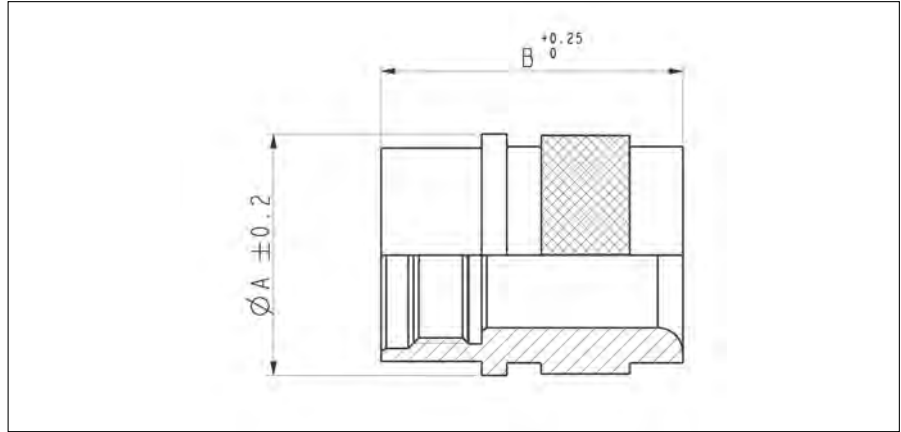


| Part number | Shell size | Ø A ±0.2 | B |
|-------------|------------|----------|------|
| UTG10AD | 10 | 21.0 | 19.2 |
| UTG12AD | 12 | 24.0 | |
| UTG14AD | 14 | 27.0 | |
| UTG16AD | 16 | 30.0 | 21.5 |
| UTG18AD | 18 | 33.3 | 22.8 |
| UTG20AD | 20 | 36.5 | |
| UTG22AD | 22 | 39.7 | |
| UTG24AD | 24 | 42.9 | 21.9 |

Standard plating is anodised black. For tin plating add "T" at the end of the part number e.g. UTG12ADT
For threading specifications see last page of this section "Circular accessories"



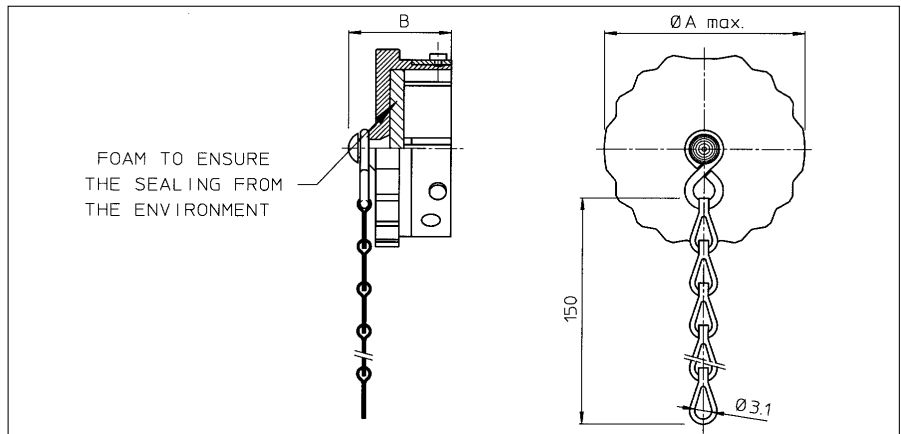
Metal shrink boot adaptor for UTO and UTOW



| Part number | Shell size | $\varnothing A \pm 0.2$ | B |
|-------------|------------|-------------------------|------|
| UT010AD | 10 | 21 | 24.7 |
| UT012AD | 12 | 24 | |
| UT014AD | 14 | 27 | |
| UT016AD | 16 | 30 | 27 |
| UT018AD | 18 | 33.3 | |
| UT020AD | 20 | 36.5 | |
| UT022AD | 22 | 39.7 | |
| UT024AD | 24 | 42.9 | |

For threading specifications see last page of this section "Circular accessories"

Environmental dustcap for plugs (UTG6--DCG)

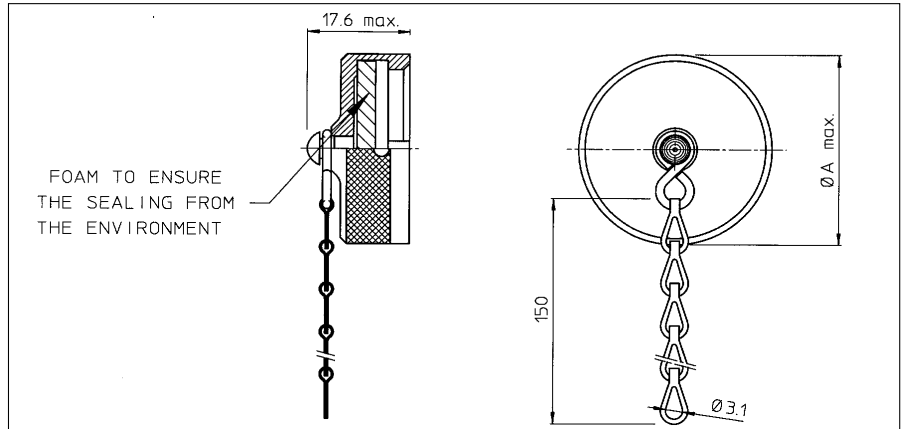
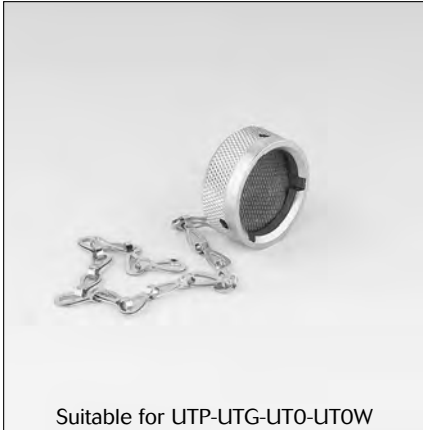


| Part number | Shell size | A max. | B |
|-------------|------------|--------|------|
| UTG610DCG | 10 | 20.0 | 20.8 |
| UTG612DCG | 12 | 24.0 | |
| UTG614DCG | 14 | 27.5 | |
| UTG616DCG | 16 | 30.5 | 22.5 |
| UTG618DCG | 18 | 33.5 | |
| UTG620DCG | 20 | 36.5 | |
| UTG622DCG | 22 | 40.0 | |
| UTG624DCG | 24 | 43.0 | |

For dustcap without chain skip "G" e.g. UTG612DC



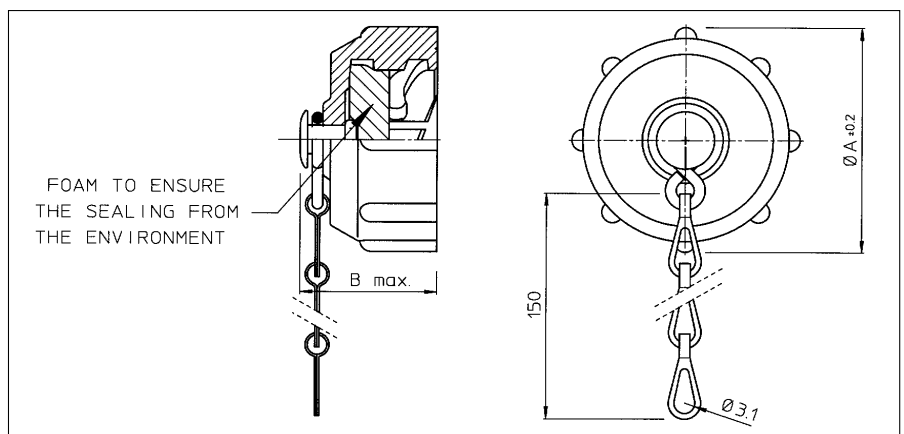
Metal environmental dustcap for receptacles (UT0--DCG)



| Part number | Shell size | A max. |
|-------------|------------|--------|
| UT010DCG | 10 | 20.8 |
| UT012DCG | 12 | 24.9 |
| UT014DCG | 14 | 28.1 |
| UT016DCG | 16 | 31.3 |
| UT018DCG | 18 | 34.4 |
| UT020DCG | 20 | 37.6 |
| UT022DCG | 22 | 40.8 |
| UT024DCG | 24 | 43.9 |

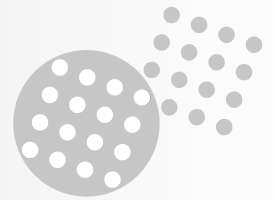
For dustcap without chain skip "G" e.g. UTG12DC
For jam dustcap consult factory

Plastic environmental dustcap for receptacles (UTP--DCG)

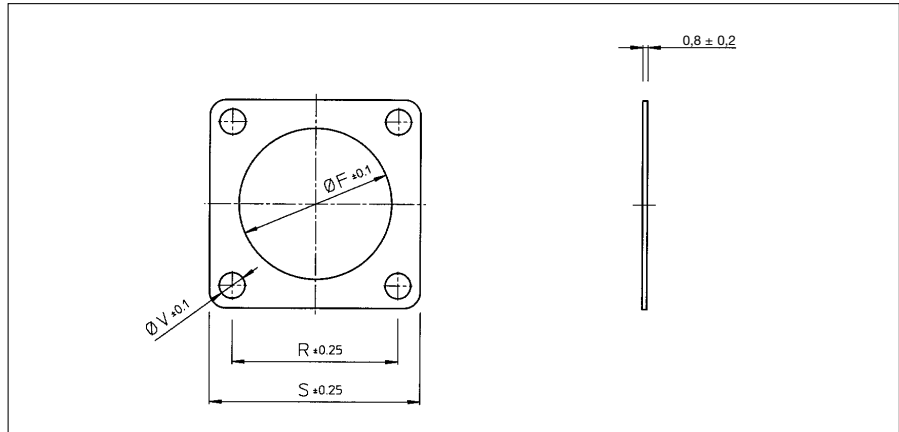


| Part number | Shell size | Ø A ±0.2 | B max. |
|-------------|------------|----------|--------|
| UTP10DCG | 10 | 26.7 | 19.3 |
| UTP12DCG | 12 | 31.4 | 20.0 |
| UTP14DCG | 14 | 34.5 | 20.2 |
| UTP16DCG | 16 | 37.8 | |
| UTP18DCG | 18 | 40.8 | |
| UTP20DCG | 20 | 43.9 | |
| UTP22DCG | 22 | 47.0 | 21.8 |
| UTP24DCG | 24 | 50.1 | |

For dustcap without chain skip "G" e.g. UTP12DC
For jam dustcap consult factory

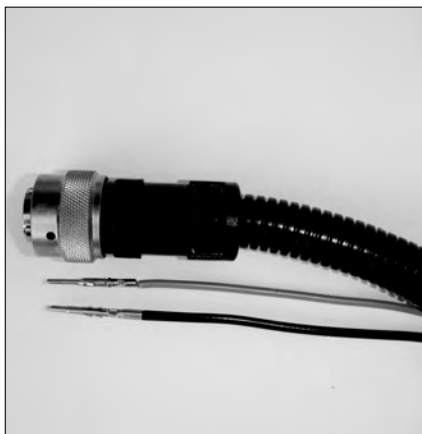


Sealing for wall mounting receptacle (UTFD1-B)



| Part number | Shell size | Ø F ±0.1 | R ±0.25 | S ±0.25 | Ø V |
|-------------|------------|----------|---------|---------|-----|
| UTFD12B | 10 | 15.9 | 18.3 | 23.8 | 3.3 |
| UTFD13B | 12 | 19.0 | 20.6 | 26.2 | |
| UTFD14B | 14 | 22.2 | 23.0 | 28.6 | |
| UTFD15B | 16 | 25.4 | 24.6 | 31.0 | |
| UTFD16B | 18 | 28.6 | 27.0 | 33.3 | |
| UTFD17B | 20 | 31.8 | 29.4 | 36.5 | |
| UTFD18B | 22 | 34.9 | 31.8 | 39.7 | |
| UTFD19B | 24 | 38.1 | 34.9 | 42.9 | 4.0 |

Adaptors for flexible cable protection systems (conduits)



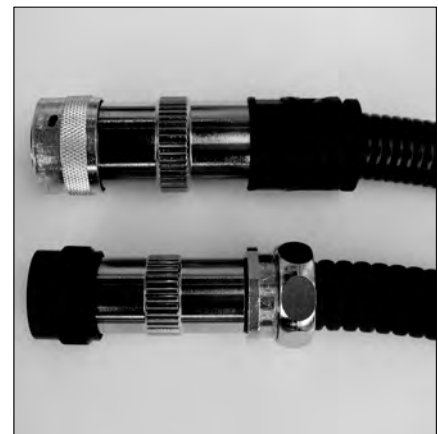
Adaptors for flexible cable protections systems that fit to the TRIM TRIO circular connectors are available from cable protection systems manufacturers (e.g. PMA).

2 solutions are offered:

- UNEF Adaptors that fit directly onto the connectors (left picture)
- METRIC Adaptors that fit onto the metal cable clamp tubes as indicated on pages 43 and 44 (right picture)

These types of adaptors offer extra protection to single wire applications (electrical, coax, Fibre optic ... etc.)

Note: the adaptors are not available from Souriau. They must be ordered directly from the manufacturers



Cable gland threadings used on cable clamps

| Shell size | Thread size on connectors | PG threading | Metric threading |
|------------|---------------------------|--------------|------------------|
| 10 | 9/16 - 24 UNEF | PG9 | M16 x 1.5 |
| 12 | 11/16 - 24 UNEF | PG11 | M20 x 1.5 |
| 14 | 13/16 - 20 UNEF | PG13.5 | M20 x 1.5 |
| 16 | 15/16 - 20 UNEF | PG16 | M25 x 1.5 |
| 18 | 1-1/16 - 18 UNEF | PG16 | M25 x 1.5 |
| 20 | 1-3/16 - 18 UNEF | PG21 | M32 x 1.5 |
| 22 | 1-5/16 - 18 UNEF | PG21 | M32 x 1.5 |
| 24 | 1-7/16 - 18 UNEF | PG29 | M32 x 1.5 |

Компания «Life Electronics» занимается поставками электронных компонентов импортного и отечественного производства от производителей и со складов крупных дистрибьюторов Европы, Америки и Азии.

С конца 2013 года компания активно расширяет линейку поставок компонентов по направлению коаксиальный кабель, кварцевые генераторы и конденсаторы (керамические, пленочные, электролитические), за счёт заключения дистрибьюторских договоров

Мы предлагаем:

- Конкурентоспособные цены и скидки постоянным клиентам.
- Специальные условия для постоянных клиентов.
- Подбор аналогов.
- Поставку компонентов в любых объемах, удовлетворяющих вашим потребностям.
- Приемлемые сроки поставки, возможна ускоренная поставка.
- Доставку товара в любую точку России и стран СНГ.
- Комплексную поставку.
- Работу по проектам и поставку образцов.
- Формирование склада под заказчика.
- Сертификаты соответствия на поставляемую продукцию (по желанию клиента).
- Тестирование поставляемой продукции.
- Поставку компонентов, требующих военную и космическую приемку.
- Входной контроль качества.
- Наличие сертификата ISO.

В составе нашей компании организован Конструкторский отдел, призванный помогать разработчикам, и инженерам.

Конструкторский отдел помогает осуществить:

- Регистрацию проекта у производителя компонентов.
- Техническую поддержку проекта.
- Защиту от снятия компонента с производства.
- Оценку стоимости проекта по компонентам.
- Изготовление тестовой платы монтаж и пусконаладочные работы.



Тел: +7 (812) 336 43 04 (многоканальный)

Email: org@lifeelectronics.ru