

## Ultra Small Voltage Detector with High Precision Delay Circuit and Manual Reset Function

## ■ GENERAL DESCRIPTION

XC6127 series is ultra small highly accurate voltage detector with delay circuit built-in.

The device includes a highly accurate reference voltage source, manufactured using CMOS process technology and laser trimming technologies, it maintains high accuracy, low power consumption, and accurate releases delay time over the full operation temperature range.

The release delay time periods are internally set in a range from 50ms to 800ms.

Moreover, with the manual reset function, reset can be asserted at any time.

The device is available in both CMOS and N-channel open drain output configurations. Also detect logic is available in both RESETB (Active Low) and RESET (Active High).

Ultra small package USPN-4 is ideally suited for small design of portable devices and high densely mounting applications. The conventional packages SSOT-24, SOT-25 is also available for upper compatible replacements.

## ■ APPLICATIONS

- Microprocessor logic reset circuitry
- System battery life and charge voltage monitors
- Memory battery back-up circuits
- Power-on reset circuits
- Power failure Detection
- Delay circuit

## ■ FEATURES

|                                      |   |
|--------------------------------------|---|
| <b>High Accuracy</b>                 | : $\pm 0.8\%$ (25°C)  |
| <b>Temperature Characteristics</b>   | : $\pm 50\text{ppm}/^\circ\text{C}$   |
| <b>Low Power Consumption</b>         | : $0.6\ \mu\text{A}$ TYP. (Detect: $V_{DF}=1.8\text{V}$ , $V_{IN}=1.62\text{V}$ )<br>$0.7\ \mu\text{A}$ TYP. (Release: $V_{DF}=1.8\text{V}$ , $V_{IN}=1.98\text{V}$ ) |
| <b>Operating Voltage Range</b>       | : $0.7\text{V}\sim 6.0\text{V}$   |
| <b>Detect Voltage Range</b>          | : $1.5\text{V}\sim 5.5\text{V}$ (0.1V increments)   |
| <b>Manual Reset Input</b>            | : MRB Pin (Built-in Pull-up resistance)   |
| <b>Output Configuration</b>          | : N-channel open drain or CMOS  |
| <b>Output Logic</b>                  | : RESETB (Active Low)<br>RESET (Active High)  |
| <b>Release Delay Time</b>            | : 50ms/100ms/200ms/400ms/800ms $\pm 15\%$   |
| <b>Operating Ambient Temperature</b> | : $-40^\circ\text{C} \sim +85^\circ\text{C}$  |
| <b>Packages</b>                      | : USPN-4, SSOT-24, SOT-25   |
| <b>Environmentally Friendly</b>      | : EU RoHS Compliant, Pb Free  |

## ■ TYPICAL APPLICATION CIRCUIT



## ■ TYPICAL PERFORMANCE CHARACTERISTICS



## PIN CONFIGURATION



## PIN ASSIGNMENT

| PIN NUMBER |         |        | PIN NAME | FUNCTIONS                                   |
|------------|---------|--------|----------|---|
| USPN-4     | SSOT-24 | SOT-25 |          |   |
| 1          | 4       | 4      | RESETB   | Signal Output (Active Low) <sup>(*1)</sup>  |
| 1          | 4       | 4      | RESET    | Signal Output (Active High) <sup>(*2)</sup> |
| 2          | 3       | 1      | MRB      | Manual Reset Input                          |
| 3          | 2       | 2      | $V_{SS}$ | Ground                                      |
| 4          | 1       | 5      | $V_{IN}$ | Power Input                                 |

(\*1) Type A~E (Refer to the ④ in Ordering Information table)

(\*2) Type F~K (Refer to the ④ in Ordering Information table)

## FUNCTION CHART

| PIN NAME | SIGNAL | STATUS           |
|----------|--------|------------------|
| MRB      | L      | Forced Reset     |
|          | H      | Normal Operation |
|          | OPEN   | Normal Operation |

## ■ PRODUCT CLASSIFICATION

### ● Ordering Information

XC6127①②③④⑤⑥-⑦<sup>(\*)</sup>

| DESIGNATOR          | ITEM                  | SYMBOL | DESCRIPTION                                  |
|---------------------|-----------------------|--------|--|
| ①                   | Output Configuration  | C      | CMOS output                                  |
|                     |                       | N      | N-ch open drain output                       |
| ②③                  | Detect Voltage        | 15~55  | e.g. 2.7V → ②=2, ③=7                         |
| ④                   | Type                  | A      | Reset Active Low, Release Delay Time: 50ms   |
|                     |                       | B      | Reset Active Low, Release Delay Time: 100ms  |
|                     |                       | C      | Reset Active Low, Release Delay Time: 200ms  |
|                     |                       | D      | Reset Active Low, Release Delay Time: 400ms  |
|                     |                       | E      | Reset Active Low, Release Delay Time: 800ms  |
|                     |                       | F      | Reset Active High, Release Delay Time: 50ms  |
|                     |                       | G      | Reset Active High, Release Delay Time: 100ms |
|                     |                       | H      | Reset Active High, Release Delay Time: 200ms |
|                     |                       | J      | Reset Active High, Release Delay Time: 400ms |
|                     |                       | K      | Reset Active High, Release Delay Time: 800ms |
| ⑤⑥-⑦ <sup>(*)</sup> | Packages (Order Unit) | 7R-G   | USPN-4 (5,000/Reel)                          |
|                     |                       | MR-G   | SOT-25 (3,000/Reel)                          |
|                     |                       | NR-G   | SSOT-24 (3,000/Reel)                         |

<sup>(\*)</sup> The "-G" suffix denotes Halogen and Antimony free as well as being fully RoHS compliant.

## ■ BLOCK DIAGRAMS

1) XC6127 Series, Type CxxA/CxxB/CxxC/CxxD/CxxE (CMOS Output, Output Logic: Active Low)



\* Diodes inside the circuits are ESD protection diodes and parasitic diodes.

2) XC6127 Series, Type NxxA/NxxB/NxxC/NxxD/NxxE (N-ch Open Drain Output, Output Logic: Active Low)



\* Diodes inside the circuits are ESD protection diodes

## ■ BLOCK DIAGRAMS (Continued)

3) XC6127 Series, Type CxxF/CxxG/CxxH/CxxJ/CxxK (CMOS Output, Output Logic: Active High)



\* Diodes inside the circuits are ESD protection diodes and parasitic diodes.

4) XC6127 Series, Type NxxF/NxxG/NxxH/NxxJ/NxxK (N-ch Open Drain Output, Output Logic: Active High)



\* Diodes inside the circuits are ESD protection diodes.

## ■ ABSOLUTE MAXIMUM RATINGS

Ta=25°C

| PARAMETER                     |                           | SYMBOL            | RATINGS  | UNITS |
|-------------------------------|---------------------------|-------------------|--|-------|
| Input Voltage                 |                           | V <sub>IN</sub>   | V <sub>SS</sub> -0.3~V <sub>SS</sub> +6.5                        | V     |
| MRB Input Voltage             |                           | V <sub>MRB</sub>  | V <sub>SS</sub> ~V <sub>SS</sub> +6.5                            | V     |
| Output Current                |                           | ( <sup>*1</sup> ) | 20   | mA    |
| Output Voltage                | XC6127C ( <sup>*2</sup> ) | ( <sup>*4</sup> ) | V <sub>SS</sub> -0.3~V <sub>IN</sub> +0.3 ≤ V <sub>SS</sub> +6.5 | V     |
|                               | XC6127N ( <sup>*3</sup> ) |                   | V <sub>SS</sub> -0.3~V <sub>SS</sub> +6.5                        |       |
| Power Dissipation             | USPN-4                    | Pd                | 100  | mW    |
|                               | SOT-25                    |                   | 250  |       |
|                               | SSOT-24                   |                   | 150  |       |
| Operating Ambient Temperature |                           | Topr              | -40~+85  | °C    |
| Storage Temperature           |                           | Tstg              | -55~+125   | °C    |

Note:

(<sup>\*1</sup>) SYMBOL is different for each product.

I<sub>RBOUT</sub>: Type XC6127CxxA/CxxB/CxxC/CxxD/CxxE, Type XC6127NxxA/NxxB/NxxC/NxxD/NxxE

I<sub>ROUT</sub>: Type XC6127CxxF/CxxG/CxxH/CxxJ/CxxK, Type XC6127NxxF/NxxG/NxxH/NxxJ/NxxK

(<sup>\*2</sup>) CMOS Output

(<sup>\*3</sup>) N-ch Open Drain Output

(<sup>\*4</sup>) SYMBOL is different for each product.

V<sub>RESETB</sub>: Type XC6127CxxA/CxxB/CxxC/CxxD/CxxE, Type XC6127NxxA/NxxB/NxxC/NxxD/NxxE

V<sub>RESET</sub>: Type XC6127CxxF/CxxG/CxxH/CxxJ/CxxK, Type XC6127NxxF/NxxG/NxxH/NxxJ/NxxK

## ELECTRICAL CHARACTERISTICS

●XC6127CxxA/CxxB/CxxC/CxxD/CxxE, XC6127NxxA/NxxB/NxxC/NxxD/NxxE (Output Logic: Active Low)

Ta=25°C

| PARAMETER                                 | SYMBOL   | CONDITIONS   | MIN.  | TYP.   | MAX.                      | UNITS  | CIRCUIT |   |
|---|--|--|---|--|---------------------------|--------|---------|---|
| Operating Voltage                         | V <sub>IN</sub>  | V <sub>DF(T)</sub> <sup>(*)1</sup> =1.5~5.5V, MRB=OPEN <sup>(*)2</sup>                   | 0.7 <sup>(*)3</sup>   |  | 6.0                       | V      | -       |   |
| Detect Voltage                            | V <sub>DFL</sub>   | V <sub>DF(T)</sub> =1.5~5.5V, MRB=OPEN   | V <sub>DF(T)</sub> ×0.992   | V <sub>DF(T)</sub>   | V <sub>DF(T)</sub> ×1.008 | V      | ①       |   |
|   |  |  | E-1 <sup>(*)4</sup>   |  |                           |        |         |   |
| Hysteresis Width                          | V <sub>HYS</sub>   |  | V <sub>DFL</sub> ×0.02  | V <sub>DFL</sub> ×0.05                                     | V <sub>DFL</sub> ×0.08    | V      | ①       |   |
| Supply Current 1                          | I <sub>SS1</sub>   | V <sub>IN</sub> =V <sub>DFL</sub> ×0.9, MRB=OPEN   | -   | 0.6  | 1.4                       | μA     | ②       |   |
|   |  | V <sub>DF(T)</sub> =1.5~1.8V   | -   | 0.7  | 1.6                       |        |         |   |
|   |  | V <sub>DF(T)</sub> =1.9~3.0V   | -   | 1.0  | 1.9                       |        |         |   |
| Supply Current 2                          | I <sub>SS2</sub>   | V <sub>IN</sub> =V <sub>DFL</sub> ×1.1 <sup>(*)5</sup> , MRB=OPEN                        | -   | 0.7  | 1.6                       | μA     | ②       |   |
|   |  | V <sub>DF(T)</sub> =1.5~1.8V   | -   | 0.8  | 1.9                       |        |         |   |
|   |  | V <sub>DF(T)</sub> =1.9~3.0V   | -   | 1.1  | 2.35                      |        |         |   |
| RESETB<br>Output Current                  | I <sub>RBOUT1</sub>  | V <sub>IN</sub> =0.7V, V <sub>RESETB</sub> =0.5V(Nch), MRB=OPEN                          | 0.014   | 0.2  | -                         | mA     | ③       |   |
|   |  | V <sub>IN</sub> =1.0V, V <sub>RESETB</sub> =0.5V(Nch), MRB=OPEN                          | 0.5   | 1.6  | -                         |        |         |   |
|   |  | V <sub>IN</sub> =2.0V <sup>(*)6</sup> , V <sub>RESETB</sub> =0.5V(Nch), MRB=OPEN         | 4.4   | 7.0  | -                         |        |         |   |
|   |  | V <sub>IN</sub> =3.0V <sup>(*)7</sup> , V <sub>RESETB</sub> =0.5V(Nch), MRB=OPEN         | 7.0   | 9.0  | -                         |        |         |   |
|   |  | V <sub>IN</sub> =4.0V <sup>(*)8</sup> , V <sub>RESETB</sub> =0.5V(Nch), MRB=OPEN         | 8.5   | 11.0   | -                         |        |         |   |
|   | V <sub>IN</sub> =5.0V <sup>(*)9</sup> , V <sub>RESETB</sub> =0.5V(Nch), MRB=OPEN | 9.0  | 12.0  | -  |                           |        |         |   |
|   | I <sub>RBOUT2</sub> <sup>(*)10</sup>   | V <sub>IN</sub> =6.0V, V <sub>RESETB</sub> =5.5V(Pch), MRB=OPEN                          | -   | -4.5   | -3.0                      | mA     | ③       |   |
| RESETB<br>Leakage<br>Current              | CMOS<br>Output(Pch)  | I <sub>LEAK</sub>  | V <sub>IN</sub> =V <sub>DFL</sub> ×0.9, V <sub>RESETB</sub> =0V, MRB=OPEN | -  | -0.01                     | -      | μA      | ③ |
|   | Nch Open<br>Drain Output   |  |   | V <sub>IN</sub> =6.0V, V <sub>RESETB</sub> =6.0V, MRB=OPEN | -                         | 0.01   |         |   |
| Temperature Characteristics               | ΔV <sub>DFL</sub> /<br>(ΔTopr·V <sub>DFL</sub> )                                 | -40°C ≤ Topr ≤ 85°C  | -   | ±50  | -                         | ppm/°C | ①       |   |
| Detect Delay Time <sup>(*)11</sup>        | t <sub>DF</sub>  | V <sub>IN</sub> =V <sub>DFL</sub> ×1.1→V <sub>DFL</sub> ×0.9 <sup>(*)11</sup> , MRB=OPEN | -   | -  | 100                       | μs     | ④       |   |
| Release Delay Time <sup>(*)12</sup>       | t <sub>DR</sub>  | V <sub>IN</sub> =V <sub>DFL</sub> ×0.9→V <sub>DFL</sub> ×1.1 <sup>(*)12</sup> , MRB=OPEN | E-2 <sup>(*)13</sup>  |  |                           | ms     | ④       |   |
| MRB "Low" Level Voltage <sup>(*)14</sup>  | V <sub>MRL</sub>   | V <sub>DFL</sub> ×1.1 ≤ V <sub>IN</sub> ≤ 6.0V   | V <sub>SS</sub>   | -  | 0.3                       | V      | ⑤       |   |
| MRB "High" Level Voltage <sup>(*)14</sup> | V <sub>MRH</sub>   | V <sub>DFL</sub> ×1.1 ≤ V <sub>IN</sub> ≤ 6.0V   | 1.0   | -  | 6.0                       | V      | ⑤       |   |
| MRB pull-up Resistance                    | R <sub>MRB</sub>   |  | 0.4   | 0.8  | 3.0                       | MΩ     | ⑥       |   |
| Minimum MRB Pulse Width                   | T <sub>MRB</sub>   | V <sub>IN</sub> =6.0V,<br>Applied pulse to MRB pin,                                      | 150   | -  | -                         | ns     | ⑦       |   |

**Note:**

- (\*1) V<sub>DF(T)</sub> : Nominal detect voltage
- (\*2) For the N-ch Open Drain, R<sub>pull</sub>=100kΩ, V<sub>pull-Up</sub>=V<sub>IN</sub>  
R<sub>pull</sub>: An External Pull-up resistor  
V<sub>pull-Up</sub>: Pull-up Voltage
- (\*3) V<sub>IN</sub> voltage for V<sub>OUT</sub> ≤ 0.3V is under detect state.
- (\*4) For the detail value, please refer to "Voltage Table" in P10.
- (\*5) V<sub>DF(T)</sub>= 5.5V where V<sub>IN</sub>=6.0V
- (\*6) For V<sub>DF(T)</sub> > 2.0V products.
- (\*7) For V<sub>DF(T)</sub> > 3.0V products.
- (\*8) For V<sub>DF(T)</sub> > 4.0V products.
- (\*9) For V<sub>DF(T)</sub> > 5.0V products.
- (\*10) For the XC6127C (CMOS output)
- (\*11) A time between V<sub>IN</sub>=V<sub>DFL</sub> and V<sub>RESETB</sub>=V<sub>DFL</sub>×0.45 when V<sub>IN</sub> falls.
- (\*12) A time between V<sub>IN</sub>=V<sub>DFL</sub>+V<sub>HYS</sub> and V<sub>RESETB</sub>=V<sub>DFL</sub>×0.55 when V<sub>IN</sub> rises.
- (\*13) For the detail value, please refer to "Release Delay Time" in P11.
- (\*14) For MRB pin, please do not apply the voltage below V<sub>SS</sub>.

## ELECTRICAL CHARACTERISTICS (Continued)

Ta=25°C

●XC6127CxxF/CxxG/CxxH/CxxJ/CxxK, XC6127NxxF/NxxG/NxxH/NxxJ/NxxK (Output Logic: Active High)

| PARAMETER                                |                           | SYMBOL  | CONDITIONS   | MIN.                      | TYP.                   | MAX.                      | UNITS  | CIRCUIT |
|--|---------------------------|---|--|---------------------------|------------------------|---------------------------|--------|---------|
| Operating Voltage                        |                           | V <sub>IN</sub>   | V <sub>DF(T)</sub> <sup>(1)</sup> =1.5~5.5V, MRB=OPEN <sup>(2)</sup>   | 0.7 <sup>(3)</sup>        |                        | 6.0                       | V      | -       |
| Detect Voltage                           |                           | V <sub>DFH</sub>  | V <sub>DF(T)</sub> =1.5~5.5V, MRB=OPEN   | V <sub>DF(T)</sub> ×0.992 | V <sub>DF(T)</sub>     | V <sub>DF(T)</sub> ×1.008 | V      | ①       |
| Hysteresis Width                         |                           | V <sub>HYS</sub>  |  | V <sub>DFH</sub> ×0.02    | V <sub>DFH</sub> ×0.05 | V <sub>DFH</sub> ×0.08    | V      | ①       |
| Supply Current 1                         |                           | I <sub>SS1</sub>  | V <sub>IN</sub> =V <sub>DFH</sub> ×0.9, MRB=OPEN<br>V <sub>DF(T)</sub> =1.5~1.8V<br>V <sub>DF(T)</sub> =1.9~3.0V<br>V <sub>DF(T)</sub> =3.1~5.5V                 | -                         | 0.6<br>0.7<br>1.0      | 1.4<br>1.6<br>1.9         | μA     | ②       |
| Supply Current 2                         |                           | I <sub>SS2</sub>  | V <sub>IN</sub> =V <sub>DFH</sub> ×1.1 <sup>(5)</sup> , MRB=OPEN<br>V <sub>DF(T)</sub> =1.5~1.8V<br>V <sub>DF(T)</sub> =1.9~3.0V<br>V <sub>DF(T)</sub> =3.1~5.5V | -                         | 0.7<br>0.8<br>1.1      | 1.6<br>1.9<br>2.35        | μA     | ②       |
| RESET<br>Output Current                  |                           | I <sub>ROUT1</sub>  | V <sub>IN</sub> =1.65V <sup>(6)</sup> , V <sub>RESET</sub> =0.5V(Nch), MRB=OPEN  | 0.5                       | 1.6                    | -                         | mA     | ③       |
|  |                           |   | V <sub>IN</sub> =2.0V <sup>(7)</sup> , V <sub>RESET</sub> =0.5V(Nch), MRB=OPEN   | 4.4                       | 7.0                    | -                         |        |         |
|  |                           |   | V <sub>IN</sub> =3.0V <sup>(8)</sup> , V <sub>RESET</sub> =0.5V(Nch), MRB=OPEN   | 7.0                       | 9.0                    | -                         |        |         |
|  |                           |   | V <sub>IN</sub> =4.0V <sup>(9)</sup> , V <sub>RESET</sub> =0.5V(Nch), MRB=OPEN   | 8.5                       | 11.0                   | -                         |        |         |
|  |                           |   | V <sub>IN</sub> =5.0V <sup>(10)</sup> , V <sub>RESET</sub> =0.5V(Nch), MRB=OPEN  | 9.0                       | 12.0                   | -                         |        |         |
|  |                           |   | V <sub>IN</sub> =6.0V, V <sub>RESET</sub> =0.5V(Nch), MRB=OPEN   | 9.0                       | 12.0                   | -                         |        |         |
|  |                           | I <sub>ROUT2</sub><br><sup>(11)</sup>                         | V <sub>IN</sub> =0.7V, V <sub>RESET</sub> =0.2V(Pch), MRB=OPEN   | -                         | -0.07                  | -0.001                    | mA     | ③       |
|  |                           |   | V <sub>IN</sub> =1.0V, V <sub>RESET</sub> =0.5V(Pch), MRB=OPEN   | -                         | -0.4                   | -0.09                     |        |         |
|  |                           |   | V <sub>IN</sub> =2.0V <sup>(12)</sup> , V <sub>RESET</sub> =1.5V(Pch), MRB=OPEN  | -                         | -2.0                   | -1.3                      |        |         |
|  |                           |   | V <sub>IN</sub> =3.0V <sup>(13)</sup> , V <sub>RESET</sub> =2.5V(Pch), MRB=OPEN  | -                         | -3.0                   | -1.8                      |        |         |
|  |                           |   | V <sub>IN</sub> =4.0V <sup>(14)</sup> , V <sub>RESET</sub> =3.5V(Pch), MRB=OPEN  | -                         | -4.0                   | -2.5                      |        |         |
|  |                           |   | V <sub>IN</sub> =5.0V <sup>(15)</sup> , V <sub>RESET</sub> =4.5V(Pch), MRB=OPEN  | -                         | -4.5                   | -3.0                      |        |         |
| RESET<br>Leakage<br>Current              | CMOS<br>Output (P-ch)     | I <sub>LEAK</sub>   | V <sub>IN</sub> =6.0V, V <sub>RESET</sub> =0V, MRB=OPEN  | -                         | -0.01                  | -                         | μA     | ③       |
|  | N-ch Open<br>Drain Output |   | V <sub>IN</sub> =V <sub>DFH</sub> ×0.9, V <sub>RESET</sub> =6.0V, MRB=OPEN   | -                         | 0.01                   | 0.15                      | μA     |         |
| Temperature<br>Characteristics           |                           | ΔV <sub>DFH</sub> /<br>(ΔT <sub>opr</sub> ·V <sub>DFH</sub> ) | -40°C ≤ T <sub>opr</sub> ≤ 85°C  |                           | ±50                    | -                         | ppm/°C | ①       |
| Detect Delay Time <sup>(16)</sup>        |                           | t <sub>DF</sub>   | V <sub>IN</sub> =V <sub>DFH</sub> ×1.1→V <sub>DFH</sub> ×0.9 <sup>(16)</sup> , MRB=OPEN  | -                         | -                      | E-3 <sup>(17)</sup>       | μs     | ④       |
| Release Delay Time <sup>(18)</sup>       |                           | t <sub>DR</sub>   | V <sub>IN</sub> =V <sub>DFH</sub> ×0.9→V <sub>DFH</sub> ×1.1 <sup>(18)</sup> , MRB=OPEN  | E-2 <sup>(19)</sup>       |                        |                           | ms     | ④       |
| MRB "Low" Level Voltage <sup>(20)</sup>  |                           | V <sub>MRL</sub>  | V <sub>DFH</sub> ×1.1 ≤ V <sub>IN</sub> ≤ 6.0V   | V <sub>SS</sub>           | -                      | 0.3                       | V      | ⑤       |
| MRB "High" Level Voltage <sup>(20)</sup> |                           | V <sub>MRH</sub>  | V <sub>DFH</sub> ×1.1 ≤ V <sub>IN</sub> ≤ 6.0V   | 1.0                       | -                      | 6.0                       | V      | ⑤       |
| MRB pull-up Resistance                   |                           | R <sub>MRB</sub>  |  | 0.4                       | 0.8                    | 3.0                       | MΩ     | ⑥       |
| Minimum MRB Pulse Width                  |                           | T <sub>MRB</sub>  | V <sub>IN</sub> =6.0V, Applied pulse to MRB pin, 6.0V→0V   | 150                       | -                      | -                         | ns     | ⑦       |



## ■ ELECTRICAL CHARACTERISTICS (Continued)

- (\*1)  $V_{DF(T)}$ : Nominal detect voltage
- (\*2) For the N-ch Open Drain,  $R_{pull}=100k\Omega$ ,  $V_{pull-Up}=V_{IN}$   
 $R_{pull}$ : An External Pull-up resistor  
 $V_{pull-Up}$ : Pull-up Voltage
- (\*3)  $V_{IN}$  voltage for  $V_{OUT}\geq 0.4V$  is under detect state.
- (\*4) For the detail value, please refer to "Voltage Table" in P10.
- (\*5)  $V_{DF(T)}=5.5V$  where  $V_{IN}=6.0V$
- (\*6) For  $V_{DF(T)}=1.5V$  products.
- (\*7) For  $V_{DF(T)}\leq 1.8V$  products.
- (\*8) For  $V_{DF(T)}\leq 2.7V$  products.
- (\*9) For  $V_{DF(T)}\leq 3.6V$  products.
- (\*10) For  $V_{DF(T)}\leq 4.6V$  products.
- (\*11) For the XC6127C (CMOS output)
- (\*12) For  $V_{DF(T)}>2.0V$  products.
- (\*13) For  $V_{DF(T)}>3.0V$  products.
- (\*14) For  $V_{DF(T)}>4.0V$  products.
- (\*15) For  $V_{DF(T)}>5.0V$  products.
- (\*16) A time between  $V_{IN}=V_{DFH}$  and  $V_{RESET}=V_{DFH}\times 0.45$  when  $V_{IN}$  falls.
- (\*17) For the detail value, please refer to "Detect Delay Time" in P11.
- (\*18) A time between  $V_{IN}=V_{DFH}+V_{HYS}$  and  $V_{RESET}=V_{DFH}\times 0.55$  when  $V_{IN}$  rises.
- (\*19) For the detail value, please refer to "Release Delay Time" in P11.
- (\*20) For MRB pin, please do not apply the voltage below  $V_{SS}$ .

## ■ ELECTRICAL CHARACTERISTICS (Continued)

Voltage Table 1

| NOMINAL<br>DETECT<br>VOLTAGE<br>(V) | DETECT<br>VOLTAGE<br>(V)<br>E-1      |        |
|-------------------------------------|--------------------------------------|--------|
|                                     | V <sub>DFL</sub> or V <sub>DFH</sub> |        |
| V <sub>DF(T)</sub>                  | MIN.                                 | MAX.   |
| 1.50                                | 1.4880                               | 1.5120 |
| 1.60                                | 1.5872                               | 1.6128 |
| 1.70                                | 1.6864                               | 1.7136 |
| 1.80                                | 1.7856                               | 1.8144 |
| 1.90                                | 1.8848                               | 1.9152 |
| 2.00                                | 1.9840                               | 2.0160 |
| 2.10                                | 2.0832                               | 2.1168 |
| 2.20                                | 2.1824                               | 2.2176 |
| 2.30                                | 2.2816                               | 2.3184 |
| 2.40                                | 2.3808                               | 2.4192 |
| 2.50                                | 2.4800                               | 2.5200 |
| 2.60                                | 2.5792                               | 2.6208 |
| 2.70                                | 2.6784                               | 2.7216 |
| 2.80                                | 2.7776                               | 2.8224 |
| 2.90                                | 2.8768                               | 2.9232 |
| 3.00                                | 2.9760                               | 3.0240 |
| 3.10                                | 3.0752                               | 3.1248 |
| 3.20                                | 3.1744                               | 3.2256 |
| 3.30                                | 3.2736                               | 3.3264 |
| 3.40                                | 3.3728                               | 3.4272 |
| 3.50                                | 3.4720                               | 3.5280 |
| 3.60                                | 3.5712                               | 3.6288 |
| 3.70                                | 3.6704                               | 3.7296 |
| 3.80                                | 3.7696                               | 3.8304 |
| 3.90                                | 3.8688                               | 3.9312 |
| 4.00                                | 3.9680                               | 4.0320 |

Voltage Table 2

| NOMINAL<br>DETECT<br>VOLTAGE<br>(V) | DETECT<br>VOLTAGE<br>(V)<br>E-1      |        |
|-------------------------------------|--------------------------------------|--------|
|                                     | V <sub>DFL</sub> or V <sub>DFH</sub> |        |
| V <sub>DF(T)</sub>                  | MIN.                                 | MAX.   |
| 4.10                                | 4.0672                               | 4.1328 |
| 4.20                                | 4.1664                               | 4.2336 |
| 4.30                                | 4.2656                               | 4.3344 |
| 4.40                                | 4.3648                               | 4.4352 |
| 4.50                                | 4.4640                               | 4.5360 |
| 4.60                                | 4.5632                               | 4.6368 |
| 4.70                                | 4.6624                               | 4.7376 |
| 4.80                                | 4.7616                               | 4.8384 |
| 4.90                                | 4.8608                               | 4.9392 |
| 5.00                                | 4.9600                               | 5.0400 |
| 5.10                                | 5.0592                               | 5.1408 |
| 5.20                                | 5.1584                               | 5.2416 |
| 5.30                                | 5.2576                               | 5.3424 |
| 5.40                                | 5.3568                               | 5.4432 |
| 5.50                                | 5.4560                               | 5.5440 |

## ■ ELECTRICAL CHARACTERISTICS (Continued)

Release Delay Time Table

| TYPE                    | RELEASE DELAY TIME<br>(ms)<br>E-2 |      |      |
|-------------------------|-----------------------------------|------|------|
|                         | $t_{DR}$                          |      |      |
|                         | MIN.                              | TYP. | MAX. |
|                         | XC6127CxxA / XC6127NxxA           | 42.5 | 50   |
| XC6127CxxB / XC6127NxxB | 85                                | 100  | 115  |
| XC6127CxxC / XC6127NxxC | 170                               | 200  | 230  |
| XC6127CxxD / XC6127NxxD | 340                               | 400  | 460  |
| XC6127CxxE / XC6127NxxE | 680                               | 800  | 920  |
| XC6127CxxF / XC6127NxxF | 42.5                              | 50   | 57.5 |
| XC6127CxxG / XC6127NxxG | 85                                | 100  | 115  |
| XC6127CxxH / XC6127NxxH | 170                               | 200  | 230  |
| XC6127CxxJ / XC6127NxxJ | 340                               | 400  | 460  |
| XC6127CxxK / XC6127NxxK | 680                               | 800  | 920  |

Detect Delay Time Table

| TYPE                           | DETECT DELAY TIME<br>( $\mu$ s)<br>E-3 |
|--------------------------------|--|
|                                | $t_{DF}$                               |
|                                | MAX.                                   |
|                                | XC6127CxxF/CxxG/CxxH/CxxJ/CxxK         |
| XC6127NxxF/NxxG/NxxH/NxxJ/NxxK | 200                                    |

## OPERATIONAL EXPLANATION

1. Detect / Release operation using XC6127CxxA/CxxB/CxxC/CxxD/CxxE, XC6127NxxA/NxxB/NxxC/NxxD/NxxE  
(Output Logic: Active Low)

### Typical Application Circuit



### Timing Chart



A timing chart is used to explain the operation of the typical application circuit when MRB is open.

① In the initial state, an input voltage ( $V_{IN}$ ) higher than the release voltage ( $V_{DR}$ ) is applied, and then  $V_{IN}$  gradually falls.

While the input voltage ( $V_{IN}$ ) is higher than the detect voltage ( $V_{DFL}$ ), an output voltage ( $V_{RESETB}$ ) equal to the input voltage ( $V_{IN}$ ) goes out.

\*In the case of an N-ch open drain output product, the RESETB pin is in a high-impedance state, and if the output is pulled up, the output voltage ( $V_{RESETB}$ ) is equal to the pull-up voltage.

②③ After the elapse of the detect delay time ( $t_{DF}$ ) that starts when the input voltage ( $V_{IN}$ ) falls below the detect voltage ( $V_{DFL}$ ), an output voltage ( $V_{RESETB}$ ) equal to the ground voltage ( $V_{SS}$ ) goes out (detection state).

\*This is the same on the N-ch open drain output product.

④ The input voltage ( $V_{IN}$ ) drops further, and if it falls below the minimum operating voltage (0.7V), the output becomes undefined state.

\*When an N-ch open drain output product is used and the output pin is pulled up, an output voltage ( $V_{RESETB}$ ) equal to the pull-up voltage may be output.

⑤ The input voltage ( $V_{IN}$ ) rises past the minimum operating voltage (0.7V), and until it reaches the release voltage ( $V_{DR}$ ), the output voltage ( $V_{RESETB}$ ) is equal to the ground voltage.

⑥ From the time that the input voltage ( $V_{IN}$ ) becomes higher than the release voltage ( $V_{DR}$ ) until the release delay time ( $t_{DR}$ ) elapses, the output voltage ( $V_{RESETB}$ ) remains at the ground voltage due to the delay circuit.

⑦ After the release delay time ( $t_{DR}$ ) elapses, the output voltage ( $V_{RESETB}$ ) is equal to the input voltage ( $V_{IN}$ ) (release state).

\*In the case of an N-ch open drain output product, the RESETB pin will be in a high impedance state like ①. If the output is pulled up, an output voltage ( $V_{RESETB}$ ) equal to the pull-up voltage will be output.

⑧ The difference between the release voltage ( $V_{DR}$ ) and the detect voltage ( $V_{DFL}$ ) is the hysteresis width ( $V_{HYS}$ ).

## OPERATIONAL EXPLANATION (Continued)

### 2. XC6127CxxF/CxxG/CxxH/CxxJ/CxxK, XC6127NxxF/NxxG/NxxH/NxxJ/NxxK (Output Logic: Active High)

#### Typical Application Circuit



#### Timing Chart



A timing chart is used above to explain the operation of the typical application circuit when MRB is open.

- ① In the initial state, an input voltage ( $V_{IN}$ ) higher than the release voltage ( $V_{DR}$ ) is applied, and then  $V_{IN}$  gradually falls.  
While the input voltage ( $V_{IN}$ ) is higher than the detect voltage ( $V_{DFH}$ ), an output voltage ( $V_{RESET}$ ) equal to the ground voltage ( $V_{SS}$ ) goes out.  
\*This is the same on the N-ch open drain output product.
- ②③ After the elapse of the detect delay time ( $t_{DF}$ ) that starts when the input voltage ( $V_{IN}$ ) falls below the detect voltage ( $V_{DFH}$ ), the output voltage ( $V_{RESET}$ ) is equal to the input voltage ( $V_{IN}$ ) (detection state).  
\*In the case of an N-ch open drain output product, the RESET pin is in a high-impedance state, and if the output is pulled up, the output voltage ( $V_{RESET}$ ) is equal to the pull-up voltage.
- ④ The input voltage ( $V_{IN}$ ) drops further, and if it falls below the minimum operating voltage (0.7V), the output becomes undefined state.
- ⑤ The input voltage ( $V_{IN}$ ) rises past the minimum operating voltage (0.7V), and until it reaches the release voltage ( $V_{DR}$ ), the output voltage ( $V_{RESET}$ ) is equal to the  $V_{IN}$  voltage.  
\*In the case of an N-ch open drain output product, the RESET pin is in a high-impedance state, and if the output is pulled up, the output voltage ( $V_{RESET}$ ) is equal to the pull-up voltage.
- ⑥ From the time that the input voltage ( $V_{IN}$ ) becomes higher than the release voltage ( $V_{DR}$ ) until the release delay time ( $t_{DR}$ ) elapses, the output voltage ( $V_{RESET}$ ) remains equal to the  $V_{IN}$  voltage due to the delay circuit.
- ⑦ After the release delay time ( $t_{DR}$ ) elapses, the output voltage ( $V_{RESET}$ ) is equal to the ground voltage ( $V_{SS}$ ) (release state).
- ⑧ The difference between the release voltage ( $V_{DR}$ ) and the detect voltage ( $V_{DFH}$ ) is the hysteresis width ( $V_{HYS}$ ).

## OPERATIONAL EXPLANATION (Continued)

### 3. MRB Pin

The output pin signal can be forcibly changed to the detect state by an input signal to the MRB pin.

The operation of the circuit at MRB signal input is explained using a timing chart.

When an H level ( $V_{MRH}$ ) signal and then an L (or less) level ( $V_{MRL}$ ) signal are input to the MRB input voltage ( $V_{MRB}$ ) with a voltage equal to or higher than  $V_{DR}$  applied to the input voltage ( $V_{IN}$ ), the output pin outputs release state <sup>(\*)</sup> and then detect state <sup>(\*\*)</sup> signals.

During the release delay time ( $t_{DR}$ ) after the MRB input voltage ( $V_{MRB}$ ) changes from the L level ( $V_{MRL}$ ) to the H level ( $V_{MRH}$ ), the output pin maintains the detection state. After the release delay time ( $t_{DR}$ ) elapses, the output pin outputs the release state signal.

(\*1) The output voltage in the release state is indicated below by product type.

XC6127CxxA/CxxB/CxxC/CxxD/CxxE types, XC6127NxxA/NxxB/NxxC/NxxD/NxxE types (output logic: Active Low)

: Input voltage ( $V_{IN}$ ) <sup>(\*)</sup>

XC6127CxxF/CxxG/CxxH/CxxJ/CxxK types, XC6127NxxF/NxxG/NxxH/NxxJ/NxxK types (output logic: Active High)

: Ground voltage ( $V_{SS}$ )

(\*2) The output voltage in the detect state is indicated below by product type.

XC6127CxxA/CxxB/CxxC/CxxD/CxxE types, XC6127NxxA/NxxB/NxxC/NxxD/NxxE types (output logic: Active Low)

: Ground voltage ( $V_{SS}$ )

XC6127CxxF/CxxG/CxxH/CxxJ/CxxK types, XC6127NxxF/NxxG/NxxH/NxxJ/NxxK types (output logic: Active High)

: Input voltage ( $V_{IN}$ ) <sup>(\*)</sup>

(\*3) On an N-ch open drain output product, if the output is pulled up, the output voltage is the pull-up voltage.

(\*4) A pull-up resistance ( $R_{MRB}$ ) is built-in between the MRB pin and the VIN pin, and thus if a voltage is applied to the MRB pin, current will flow from the VIN pin to the MRB pin.

(\*5) The voltage input to the MRB pin should be within the range  $V_{SS}$  to 6.0 V.

### Timing Chart



## NOTE ON USE

1. Please use this IC within the stated maximum ratings. For temporary, transitional voltage drop or voltage rising phenomenon, the IC is liable to malfunction should the ratings be exceeded.
2. Note that there is a possibility of malfunctioning if the input voltage changes sharply or undergoes repeated, cyclical changes.
3. If the resistance  $R_{IN}$  is connected between the VIN pin and the power supply  $V_{DD}$ , the voltage drop due to the flow through current in the internal circuit and  $R_{IN}$  may cause oscillation when release takes place. When using the CMOS output product, oscillation due to  $R_{IN}$  and the flow through current may occur without relation to release and detection, and thus  $R_{IN}$  should not be connected.
4. When N-ch open drain output is used, the output voltage at detection is determined by the pull-up resistance connected to the output pin. Select the resistance based on the following considerations:

Using a XC6127CxxA/CxxB/CxxC/CxxD/CxxE or XC6127NxxA/NxxB/NxxC/NxxD/NxxE (output logic: Active Low)

At detection:  $V_{RESETB} = (V_{pull-Up}) / (1 + R_{pull} / R_{ON})$

$V_{pull-Up}$ : Voltage after pull-up

$R_{ON}^{(*)1}$ : ON resistance of N-ch driver (calculated from  $V_{RESETB} / I_{RBOU1}$  in electrical characteristics) <sup>(\*)3</sup>

Example calculation:

When  $V_{IN} = 2.0V^{(*)2}$ ,  $R_{ON} = 0.5 / 4.4 \times 10^{-3} \approx 114 \Omega$  (MAX.). If you wish to make the  $V_{RESETB}$  voltage at detection 0.1V or lower with  $V_{pull-Up} = 3.0V$ ,

$$R_{pull} = (V_{pull-Up} / V_{RESETB} - 1) \times R_{ON} = (3 / 0.1 - 1) \times 114 \approx 3.3k\Omega, \text{ and thus}$$

to make the output voltage at detection 0.1V or less under the above conditions, the pull-up resistance must be 3.3k $\Omega$  or higher.

(\*)1 The smaller  $V_{IN}$  is, the larger  $R_{ON}$  becomes.

(\*)2 When selecting  $V_{IN}$ , calculate using the lowest value of the input voltage range you will use.

(\*)3  $I_{RBOU1}$  specified in the electrical characteristics is the value at  $T_a = 25^\circ C$ .  $I_{RBOU1}$  varies depending on the ambient temperature.

To select the pull-up resistance taking ambient temperature into account, please consult us.

At release:  $V_{RESETB} = (V_{pull-Up}) / (1 + R_{pull} / R_{OFF})$

$V_{pull-Up}$ : Voltage after pull-up

$R_{OFF}$ : Resistance value 40M $\Omega$  (MIN.) when N-ch driver is OFF (calculated from  $V_{RESETB} / I_{LEAK}$  in electrical characteristics)

Calculation example:

If you wish to make  $V_{RESETB}$  5.99V or higher with  $V_{pull-Up} = 6.0V$

$$R_{pull} = (V_{pull-Up} / V_{RESETB} - 1) \times R_{OFF} = (6 / 5.99 - 1) \times 40 \times 10^6 \approx 66k\Omega, \text{ and thus}$$

to make the output voltage 5.99V or higher at release under the above conditions, the pull-up resistance must be 66k $\Omega$  or less.

Using the XC6127CxxF/CxxG/CxxH/CxxJ/CxxK, or XC6127NxxF/NxxG/NxxH/NxxJ/NxxK (output logic: Active High)

At detection:  $V_{RESET} = (V_{pull-Up}) / (1 + R_{pull} / R_{OFF})$

$V_{pull-Up}$ : Voltage after pull-up

$R_{OFF}$ : When the N-ch driver is OFF, the resistance is 40M $\Omega$  (MIN.) (calculated from  $V_{RESET} / I_{LEAK}$  in the electrical characteristics)

Calculation example:

If you wish to make  $V_{RESET}$  5.99V or higher with  $V_{pull-Up} = 6.0V$

$$R_{pull} = (V_{pull-Up} / V_{RESET} - 1) \times R_{OFF} = (6 / 5.99 - 1) \times 40 \times 10^6 \approx 66k\Omega \text{ and thus}$$

to make the output voltage 5.99V or higher at detection under the above conditions, the pull-up resistance must be 66k $\Omega$  or less.

At release:  $V_{RESET} = (V_{pull-Up}) / (1 + R_{pull} / R_{ON})$

$V_{pull-Up}$ : Voltage after pull-up

$R_{ON}^{(*)1}$ : ON resistance of N-ch driver (calculated from  $V_{RESET} / I_{ROUT1}$  in the electrical characteristics) <sup>(\*)3</sup>

Calculation example:

When  $V_{IN} = 2.0V^{(*)2}$ ,  $R_{ON} = 0.5 / 4.4 \times 10^{-3} \approx 114 \Omega$  (MAX.). If you wish to make the  $V_{RESET}$  voltage 0.1V or lower at detection with  $V_{pull-Up} = 3.0V$ ,

$$R_{pull} = (V_{pull-Up} / V_{RESET} - 1) \times R_{ON} = (3 / 0.1 - 1) \times 114 \approx 3.3k\Omega \text{ and thus}$$

to make the output voltage 0.1V or lower at release under the above conditions, the pull-up resistance must be 3.3k $\Omega$  or higher.

(\*)1 The smaller  $V_{IN}$  is, the larger  $R_{ON}$  becomes.

(\*)2 When selecting  $V_{IN}$ , calculate using the lowest value of the input voltage range you will be using.

(\*)3  $I_{ROUT1}$  specified in the electrical characteristics is the value at  $T_a = 25^\circ C$ .  $I_{ROUT1}$  varies depending on the ambient temperature.

To select the pull-up resistance taking ambient temperature into account, please consult us.

5. We work hard to improve our products and increase reliability. Nevertheless, to allow for the unexpected, please employ a design such as a failsafe design that is sufficiently safe in terms of both devices and the system, and conduct aging or other testing.

## TEST CIRCUITS

Circuit 1



Circuit 2



Circuit 3



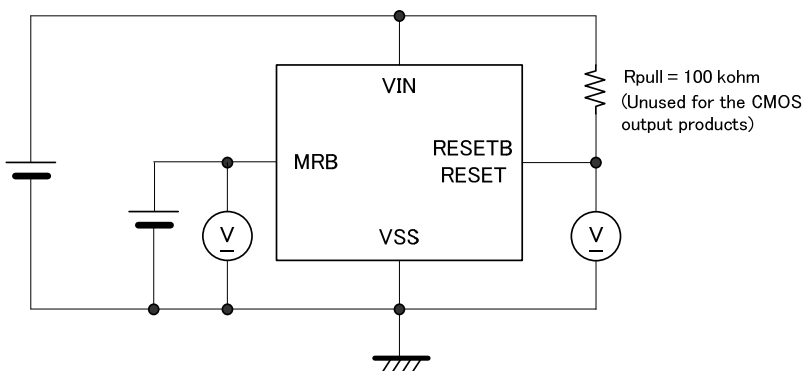
Circuit 4





## TEST CIRCUITS (Continued)

Circuit 5



Circuit 6



Circuit 7



## PACKAGING INFORMATION

Unit:mm

### ●USPN-4



### ●USPN-4 Reference Pattern Layout



### ●USPN-4 Reference Metal Mask Design



■ PACKAGING INFORMATION (Continued)

Unit:mm

● SSOT-24



● SOT-25



## MARKING RULE

### ●USPN-4



① represents product series and output configuration.

| MARK | OUTPUT CONFIGURATION | PRODUCT SERIES |
|------|----------------------|----------------|
| F    | CMOS                 | XC6127C****-G  |
| H    | Nch                  | XC6127N****-G  |

② represents detect voltage.

| MARK | OUTPUT VOLTAGE(V) |     | MARK | OUTPUT VOLTAGE(V) |     | MARK | OUTPUT VOLTAGE(V) |     |
|------|-------------------|-----|------|-------------------|-----|------|-------------------|-----|
| A    | 1.5               | 1.6 | K    | 2.9               | 3.0 | T    | 4.3               | 4.4 |
| B    | 1.7               | 1.8 | L    | 3.1               | 3.2 | U    | 4.5               | 4.6 |
| C    | 1.9               | 2.0 | M    | 3.3               | 3.4 | V    | 4.7               | 4.8 |
| D    | 2.1               | 2.2 | N    | 3.5               | 3.6 | X    | 4.9               | 5.0 |
| E    | 2.3               | 2.4 | P    | 3.7               | 3.8 | Y    | 5.1               | 5.2 |
| F    | 2.5               | 2.6 | R    | 3.9               | 4.0 | Z    | 5.3               | 5.4 |
| H    | 2.7               | 2.8 | S    | 4.1               | 4.2 | 0    | 5.5               | -   |

③ represents detect voltage range and release delay time / detect logic.

| MARK | DETECT VOLTAGE [V] | RELEASE DELAY TIME/<br>DETECT LOGIC | PRODUCT SERIES                  |                                 |
|------|--------------------|-------------------------------------|---------------------------------|---------------------------------|
| A    | Odd<br>number      | 50ms/Low                            | XC6127*15A**-G ~ XC6127*55A**-G |                                 |
| B    |                    | 100ms/Low                           | XC6127*15B**-G ~ XC6127*55B**-G |                                 |
| C    |                    | 200ms/Low                           | XC6127*15C**-G ~ XC6127*55C**-G |                                 |
| D    |                    | 400ms/Low                           | XC6127*15D**-G ~ XC6127*55D**-G |                                 |
| E    |                    | 800ms/Low                           | XC6127*15E**-G ~ XC6127*55E**-G |                                 |
| F    |                    | 50ms/High                           | XC6127*15F**-G ~ XC6127*55F**-G |                                 |
| H    |                    | 100ms/High                          | XC6127*15G**-G ~ XC6127*55G**-G |                                 |
| K    |                    | 200ms/High                          | XC6127*15H**-G ~ XC6127*55H**-G |                                 |
| L    |                    | 400ms/High                          | XC6127*15J**-G ~ XC6127*55J**-G |                                 |
| M    |                    | 800ms/High                          | XC6127*15K**-G ~ XC6127*55K**-G |                                 |
| N    |                    | Even<br>number                      | 50ms/Low                        | XC6127*16A**-G ~ XC6127*54A**-G |
| P    |                    |                                     | 100ms/Low                       | XC6127*16B**-G ~ XC6127*54B**-G |
| R    |                    |                                     | 200ms/Low                       | XC6127*16C**-G ~ XC6127*54C**-G |
| S    |                    |                                     | 400ms/Low                       | XC6127*16D**-G ~ XC6127*54D**-G |
| T    | 800ms/Low          |                                     | XC6127*16E**-G ~ XC6127*54E**-G |                                 |
| U    | 50ms/High          |                                     | XC6127*16F**-G ~ XC6127*54F**-G |                                 |
| V    | 100ms/High         |                                     | XC6127*16G**-G ~ XC6127*54G**-G |                                 |
| X    | 200ms/High         |                                     | XC6127*16H**-G ~ XC6127*54H**-G |                                 |
| Y    | 400ms/High         |                                     | XC6127*16J**-G ~ XC6127*54J**-G |                                 |
| Z    | 800ms/High         |                                     | XC6127*16K**-G ~ XC6127*54K**-G |                                 |

④ represents production lot number

0 to 9, A to Z, and inverted 0 to 9, A to Z repeated. (G, I, J, O, Q, W excepted.)

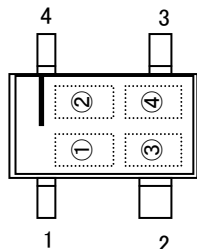
\* No character inversion used.

## ■ MARKING RULE (Continued)

### ● SSOT-24

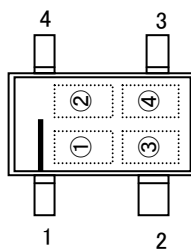
SSOT-24

(With the orientation bar at the top)



SSOT-24

(With the orientation bar at the bottom)



①-1 represents product series and detect voltage range, output configuration.

| MARK | OUTPUT CONFIGURATION | DETECT VOLTAGE [V] | RELEASE DELAY TIME/<br>DETECT LOGIC | PRODUCT SERIES                  |
|------|----------------------|--------------------|-------------------------------------|---------------------------------|
| 5    | CMOS                 | Odd number         | 50ms/Low                            | XC6127C15A**-G ~ XC6127C55A**-G |
| 6    |                      |                    | 100ms/Low                           | XC6127C15B**-G ~ XC6127C55B**-G |
| 7    |                      |                    | 200ms/Low                           | XC6127C15C**-G ~ XC6127C55C**-G |
| 8    |                      |                    | 400ms/Low                           | XC6127C15D**-G ~ XC6127C55D**-G |
| 9    |                      |                    | 800ms/Low                           | XC6127C15E**-G ~ XC6127C55E**-G |
| A    |                      |                    | 50ms/High                           | XC6127C15F**-G ~ XC6127C55F**-G |
| B    |                      |                    | 100ms/High                          | XC6127C15G**-G ~ XC6127C55G**-G |
| C    |                      |                    | 200ms/High                          | XC6127C15H**-G ~ XC6127C55H**-G |
| D    |                      |                    | 400ms/High                          | XC6127C15J**-G ~ XC6127C55J**-G |
| E    |                      |                    | 800ms/High                          | XC6127C15K**-G ~ XC6127C55K**-G |
| F    |                      | Even number        | 50ms/Low                            | XC6127C16A**-G ~ XC6127C54A**-G |
| H    |                      |                    | 100ms/Low                           | XC6127C16B**-G ~ XC6127C54B**-G |
| K    |                      |                    | 200ms/Low                           | XC6127C16C**-G ~ XC6127C54C**-G |
| N    |                      |                    | 400ms/Low                           | XC6127C16D**-G ~ XC6127C54D**-G |
| P    |                      |                    | 800ms/Low                           | XC6127C16E**-G ~ XC6127C54E**-G |
| R    |                      |                    | 50ms/High                           | XC6127C16F**-G ~ XC6127C54F**-G |
| S    |                      |                    | 100ms/High                          | XC6127C16G**-G ~ XC6127C54G**-G |
| T    |                      |                    | 200ms/High                          | XC6127C16H**-G ~ XC6127C54H**-G |
| U    |                      |                    | 400ms/High                          | XC6127C16J**-G ~ XC6127C54J**-G |
| V    |                      |                    | 800ms/High                          | XC6127C16K**-G ~ XC6127C54K**-G |

\* The products of CMOS output configuration are shipped in the package having the orientation bar marked in the top.

## MARKING RULE (Continued)

①-2 represents product series and detect voltage range, output configuration.

| MARK | OUTPUT CONFIGURATION | DETECT VOLTAGE [V] | RELEASE DELAY TIME/ DETECT LOGIC | PRODUCT SERIES                  |
|------|----------------------|--------------------|----------------------------------|---------------------------------|
| 0    | Nch                  | Odd number         | 50ms/Low                         | XC6127N15A**-G ~ XC6127N55A**-G |
| 1    |                      |                    | 100ms/Low                        | XC6127N15B**-G ~ XC6127N55B**-G |
| 2    |                      |                    | 200ms/Low                        | XC6127N15C**-G ~ XC6127N55C**-G |
| 3    |                      |                    | 400ms/Low                        | XC6127N15D**-G ~ XC6127N55D**-G |
| 4    |                      |                    | 800ms/Low                        | XC6127N15E**-G ~ XC6127N55E**-G |
| 5    |                      |                    | 50ms/High                        | XC6127N15F**-G ~ XC6127N55F**-G |
| 6    |                      |                    | 100ms/High                       | XC6127N15G**-G ~ XC6127N55G**-G |
| 7    |                      |                    | 200ms/High                       | XC6127N15H**-G ~ XC6127N55H**-G |
| 8    |                      |                    | 400ms/High                       | XC6127N15J**-G ~ XC6127N55J**-G |
| 9    |                      |                    | 800ms/High                       | XC6127N15K**-G ~ XC6127N55K**-G |
| A    |                      | Even number        | 50ms/Low                         | XC6127N16A**-G ~ XC6127N54A**-G |
| B    |                      |                    | 100ms/Low                        | XC6127N16B**-G ~ XC6127N54B**-G |
| C    |                      |                    | 200ms/Low                        | XC6127N16C**-G ~ XC6127N54C**-G |
| D    |                      |                    | 400ms/Low                        | XC6127N16D**-G ~ XC6127N54D**-G |
| E    |                      |                    | 800ms/Low                        | XC6127N16E**-G ~ XC6127N54E**-G |
| F    |                      |                    | 50ms/High                        | XC6127N16F**-G ~ XC6127N54F**-G |
| H    |                      |                    | 100ms/High                       | XC6127N16G**-G ~ XC6127N54G**-G |
| K    |                      |                    | 200ms/High                       | XC6127N16H**-G ~ XC6127N54H**-G |
| L    |                      |                    | 400ms/High                       | XC6127N16J**-G ~ XC6127N54J**-G |
| M    |                      |                    | 800ms/High                       | XC6127N16K**-G ~ XC6127N54K**-G |

\* The products of Nch output configuration are shipped in the package having the orientation bar marked in the bottom.

② represents detect voltage.

| MARK | OUTPUT VOLTAGE(V) |     | MARK | OUTPUT VOLTAGE(V) |     | MARK | OUTPUT VOLTAGE(V) |     |
|------|-------------------|-----|------|-------------------|-----|------|-------------------|-----|
| A    | 1.5               | 1.6 | K    | 2.9               | 3.0 | T    | 4.3               | 4.4 |
| B    | 1.7               | 1.8 | L    | 3.1               | 3.2 | U    | 4.5               | 4.6 |
| C    | 1.9               | 2.0 | M    | 3.3               | 3.4 | V    | 4.7               | 4.8 |
| D    | 2.1               | 2.2 | N    | 3.5               | 3.6 | X    | 4.9               | 5.0 |
| E    | 2.3               | 2.4 | P    | 3.7               | 3.8 | Y    | 5.1               | 5.2 |
| F    | 2.5               | 2.6 | R    | 3.9               | 4.0 | Z    | 5.3               | 5.4 |
| H    | 2.7               | 2.8 | S    | 4.1               | 4.2 | 0    | 5.5               | -   |

③④ represents production lot number. 01~09, 0A~0Z, 11~9Z, A1~A9, AA~AZ, B1~ZZ repeated.

(G, I, J, O, Q, W excluded.)

\* No character inversion used.

## MARKING RULE (Continued)

### ● SOT-25



① represents product series and output configuration.

| MARK | OUTPUT CONFIGURATION | PRODUCT SERIES |
|------|----------------------|----------------|
| 5    | CMOS                 | XC6127C****-G  |
| 6    | Nch                  | XC6127N****-G  |

\* SOT-25 with the under-dot marking is used.

② represents detect voltage.

| MARK | OUTPUT VOLTAGE(V) |     | MARK | OUTPUT VOLTAGE(V) |     | MARK | OUTPUT VOLTAGE(V) |     |
|------|-------------------|-----|------|-------------------|-----|------|-------------------|-----|
| A    | 1.5               | 1.6 | K    | 2.9               | 3.0 | T    | 4.3               | 4.4 |
| B    | 1.7               | 1.8 | L    | 3.1               | 3.2 | U    | 4.5               | 4.6 |
| C    | 1.9               | 2.0 | M    | 3.3               | 3.4 | V    | 4.7               | 4.8 |
| D    | 2.1               | 2.2 | N    | 3.5               | 3.6 | X    | 4.9               | 5.0 |
| E    | 2.3               | 2.4 | P    | 3.7               | 3.8 | Y    | 5.1               | 5.2 |
| F    | 2.5               | 2.6 | R    | 3.9               | 4.0 | Z    | 5.3               | 5.4 |
| H    | 2.7               | 2.8 | S    | 4.1               | 4.2 | 0    | 5.5               | -   |

③ represents detect voltage range and release delay time / detect logic.

| MARK | DETECT VOLTAGE [V] | RELEASE DELAY TIME/ DETECT LOGIC | PRODUCT SERIES                  |                                 |
|------|--------------------|----------------------------------|---------------------------------|---------------------------------|
| A    | Odd number         | 50ms/Low                         | XC6127*15A**-G ~ XC6127*55A**-G |                                 |
| B    |                    | 100ms/Low                        | XC6127*15B**-G ~ XC6127*55B**-G |                                 |
| C    |                    | 200ms/Low                        | XC6127*15C**-G ~ XC6127*55C**-G |                                 |
| D    |                    | 400ms/Low                        | XC6127*15D**-G ~ XC6127*55D**-G |                                 |
| E    |                    | 800ms/Low                        | XC6127*15E**-G ~ XC6127*55E**-G |                                 |
| F    |                    | 50ms/High                        | XC6127*15F**-G ~ XC6127*55F**-G |                                 |
| H    |                    | 100ms/High                       | XC6127*15G**-G ~ XC6127*55G**-G |                                 |
| K    |                    | 200ms/High                       | XC6127*15H**-G ~ XC6127*55H**-G |                                 |
| L    |                    | 400ms/High                       | XC6127*15J**-G ~ XC6127*55J**-G |                                 |
| M    |                    | 800ms/High                       | XC6127*15K**-G ~ XC6127*55K**-G |                                 |
| N    |                    | Even number                      | 50ms/Low                        | XC6127*16A**-G ~ XC6127*54A**-G |
| P    |                    |                                  | 100ms/Low                       | XC6127*16B**-G ~ XC6127*54B**-G |
| R    | 200ms/Low          |                                  | XC6127*16C**-G ~ XC6127*54C**-G |                                 |
| S    | 400ms/Low          |                                  | XC6127*16D**-G ~ XC6127*54D**-G |                                 |
| T    | 800ms/Low          |                                  | XC6127*16E**-G ~ XC6127*54E**-G |                                 |
| U    | 50ms/High          |                                  | XC6127*16F**-G ~ XC6127*54F**-G |                                 |
| V    | 100ms/High         |                                  | XC6127*16G**-G ~ XC6127*54G**-G |                                 |
| X    | 200ms/High         |                                  | XC6127*16H**-G ~ XC6127*54H**-G |                                 |
| Y    | 400ms/High         |                                  | XC6127*16J**-G ~ XC6127*54J**-G |                                 |
| Z    | 800ms/High         |                                  | XC6127*16K**-G ~ XC6127*54K**-G |                                 |

③④ represents production lot number. 01~09, 0A~0Z, 11~9Z, A1~A9, AA~AZ, B1~ZZ repeated.

(G, I, J, O, Q, W excluded.)

\* No character inversion used.

1. The products and product specifications contained herein are subject to change without notice to improve performance characteristics. Consult us, or our representatives before use, to confirm that the information in this datasheet is up to date.
2. We assume no responsibility for any infringement of patents, patent rights, or other rights arising from the use of any information and circuitry in this datasheet.
3. Please ensure suitable shipping controls (including fail-safe designs and aging protection) are in force for equipment employing products listed in this datasheet.
4. The products in this datasheet are not developed, designed, or approved for use with such equipment whose failure or malfunction can be reasonably expected to directly endanger the life of, or cause significant injury to, the user.  
(e.g. Atomic energy; aerospace; transport; combustion and associated safety equipment thereof.)
5. Please use the products listed in this datasheet within the specified ranges.  
Should you wish to use the products under conditions exceeding the specifications, please consult us or our representatives.
6. We assume no responsibility for damage or loss due to abnormal use.
7. All rights reserved. No part of this datasheet may be copied or reproduced without the prior permission of TOREX SEMICONDUCTOR LTD.

**TOREX SEMICONDUCTOR LTD.**



Компания «Life Electronics» занимается поставками электронных компонентов импортного и отечественного производства от производителей и со складов крупных дистрибьюторов Европы, Америки и Азии.

С конца 2013 года компания активно расширяет линейку поставок компонентов по направлению коаксиальный кабель, кварцевые генераторы и конденсаторы (керамические, пленочные, электролитические), за счёт заключения дистрибьюторских договоров

Мы предлагаем:

- Конкуренспособные цены и скидки постоянным клиентам.
- Специальные условия для постоянных клиентов.
- Подбор аналогов.
- Поставку компонентов в любых объемах, удовлетворяющих вашим потребностям.
- Приемлемые сроки поставки, возможна ускоренная поставка.
- Доставку товара в любую точку России и стран СНГ.
- Комплексную поставку.
- Работу по проектам и поставку образцов.
- Формирование склада под заказчика.
- Сертификаты соответствия на поставляемую продукцию (по желанию клиента).
- Тестирование поставляемой продукции.
- Поставку компонентов, требующих военную и космическую приемку.
- Входной контроль качества.
- Наличие сертификата ISO.

В составе нашей компании организован Конструкторский отдел, призванный помогать разработчикам, и инженерам.

Конструкторский отдел помогает осуществить:

- Регистрацию проекта у производителя компонентов.
- Техническую поддержку проекта.
- Защиту от снятия компонента с производства.
- Оценку стоимости проекта по компонентам.
- Изготовление тестовой платы монтаж и пусконаладочные работы.



Тел: +7 (812) 336 43 04 (многоканальный)

Email: [org@lifeelectronics.ru](mailto:org@lifeelectronics.ru)