

THIS DRAWING IS UNPUBLISHED. RELEASED FOR PUBLICATION - . - .
 © COPYRIGHT - By - ALL RIGHTS RESERVED.

| LOC | DIST | REVISIONS | | | | | |
|-----|------|-----------|-----|---------------------------|---------|-----|------|
| AD | 00 | P | LTR | DESCRIPTION | DATE | DWN | APVD |
| | | B7 | | REVISED PER ECO-12-002360 | 07FEB12 | KH | PO |

Specifications

| | | |
|---------------------------------|---|---|
| | UP01 | UP03 |
| Rating | .1A @ 30 VDC | 3A @ 125 VAC |
| UL/CuL rating | .1A @ 125 VAC | 3A @ 125 VAC |
| Contact resistance, initial | 100 milliohms max. | |
| Insulation resistance | 100 megohms min, 500 VDC, 1 minute hold | |
| Dielectric withstanding voltage | 1,000 VAC, 1 minute hold | |
| Life expectancy, mechanical | 1,000,000 cycles @ 200 cycles/min. | |
| Life expectancy, electrical | 1,000,000 cycles @ 200 cycles/min., .1A @ 30VDC | 6,000 cycles @ 10 cycles/min., 3A @ 125 VAC |
| Operating temperature | -40°C to +80°C (With no icing) | |
| Storage temperature | -25°C to +85°C | |
| Storage humidity | 85% RH max. | |

Materials

| Finish | Manufacturer | Item Name |
|--|---|-----------------|
| | Nylon, 30% GF, Black, UL94 V-0 | Housing |
| | PBT, 30% GF, Black, UL94V-0 | Cover |
| | Nylon, 30% GF, Gray, UL94V-0 | Button |
| | Brass | Common Terminal |
| contact area: 3 microinches min. Au over 30-60 microinches Ni solder area: 60 microinches min. SnCu over 30-60 microinches Ni | Brass (.1A rated parts) Brass with silver inlay (3A parts) | NO Terminal |
| contact area: 3 microinches min. Au over 30-60 microinches Ni solder area: 60 microinches min. SnCu over 30-60 microinches Ni | Brass (.1A rated parts) Brass with silver inlay (3A parts) | NC Terminal |
| none | Copper alloy with silver slug | Spring contact |

1 ALL MATERIAL AND FINISHES SHALL COMPLY WITH EU DIRECTIVE 2002/95/EC OF 27JAN2003 (ROHS).

2 PER TABULATION COLUMN RATING, UP AND AGENCY MARKINGS.

| Free Position max. (mm) | Movement Differential max. (mm) | Overtravel min. (mm) | Pretravel max. (mm) | Operating Position (mm) | Release Force min. (g) | Operating Force max. (g) | Lever Type | Terminal | Action | Rating | Alco P/N | Part Number |
|-------------------------|---------------------------------|----------------------|---------------------|-------------------------|------------------------|--------------------------|------------|-----------|--------|--------------------|--------------|-------------|
| 10.1 | .80 | .6 | .3 | 7.9 +/- .8 | 5 | 30 | straight | pcb right | SPDT | 3A @ 125VAC | UP3DTCNLB04 | 2-1825043-4 |
| 10.1 | .80 | .6 | .3 | 7.9 +/- .8 | 8 | 50 | straight | pcb right | SPDT | 3A @ 125VAC | UP3DTCNLA04 | 2-1825043-3 |
| 7.35 | .12 | .2 | .62 | 6.9 +/- .3 | 21 | 80 | none | pcb right | SPDT | 3A @ 125VAC | UP3DTCOLB04 | 2-1825043-2 |
| 7.35 | .12 | .2 | .62 | 6.9 +/- .3 | 35 | 150 | none | pcb right | SPDT | 3A @ 125VAC | UP3DTCOLA04 | 2-1825043-1 |
| 10.1 | .80 | .6 | .3 | 7.9 +/- .8 | 5 | 30 | straight | pcb left | SPDT | 3A @ 125VAC | UP3DTBNLB04 | 2-1825043-0 |
| 10.1 | .80 | .6 | .3 | 7.9 +/- .8 | 8 | 50 | straight | pcb left | SPDT | 3A @ 125VAC | UP3DTBNLA04 | 1-1825043-9 |
| 7.35 | .12 | .2 | .62 | 6.9 +/- .3 | 21 | 80 | none | pcb left | SPDT | 3A @ 125VAC | UP3DTBOLB04 | 1-1825043-8 |
| 7.35 | .12 | .2 | .62 | 6.9 +/- .3 | 35 | 150 | none | pcb left | SPDT | 3A @ 125VAC | UP3DTBOLA04 | 1-1825043-7 |
| 10.1 | .80 | .6 | .3 | 7.9 +/- .8 | 5 | 30 | straight | pcb | SPDT | 3A @ 125VAC | UP3DTANLB04 | 1-1825043-6 |
| 10.1 | .80 | .6 | .3 | 7.9 +/- .8 | 8 | 50 | straight | pcb | SPDT | 3A @ 125VAC | UP3DTANLA04 | 1-1825043-5 |
| 7.35 | .12 | .2 | .62 | 6.9 +/- .3 | 21 | 80 | none | pcb | SPDT | 3A @ 125VAC | UP3DTAOLB04 | 1-1825043-4 |
| 7.35 | .12 | .2 | .62 | 6.9 +/- .3 | 35 | 150 | none | pcb | SPDT | 3A @ 125VAC | UP3DTAOLA04 | 1-1825043-3 |
| 10.1 | .80 | .6 | .3 | 7.9 +/- .8 | 5 | 30 | straight | pcb right | SPDT | .1A @ 125VAC/30VDC | UP01DTCNLB04 | 1-1825043-2 |
| 10.1 | .80 | .6 | .3 | 7.9 +/- .8 | 8 | 50 | straight | pcb right | SPDT | .1A @ 125VAC/30VDC | UP01DTCNLA04 | 1-1825043-1 |
| 7.35 | .12 | .2 | .62 | 6.9 +/- .3 | 21 | 80 | none | pcb right | SPDT | .1A @ 125VAC/30VDC | UP01DTCOLB04 | 1-1825043-0 |
| 7.35 | .12 | .2 | .62 | 6.9 +/- .3 | 35 | 150 | none | pcb right | SPDT | .1A @ 125VAC/30VDC | UP01DTCOLA04 | 1825043-9 |
| 10.1 | .80 | .6 | .3 | 7.9 +/- .8 | 5 | 30 | straight | pcb left | SPDT | .1A @ 125VAC/30VDC | UP01DTBNLB04 | 1825043-8 |
| 10.1 | .80 | .6 | .3 | 7.9 +/- .8 | 8 | 50 | straight | pcb left | SPDT | .1A @ 125VAC/30VDC | UP01DTBNLA04 | 1825043-7 |
| 7.35 | .12 | .2 | .62 | 6.9 +/- .3 | 21 | 80 | none | pcb left | SPDT | .1A @ 125VAC/30VDC | UP01DTBOLB04 | 1825043-6 |
| 7.35 | .12 | .2 | .62 | 6.9 +/- .3 | 35 | 150 | none | pcb left | SPDT | .1A @ 125VAC/30VDC | UP01DTBOLA04 | 1825043-5 |
| 10.1 | .80 | .6 | .3 | 7.9 +/- .8 | 5 | 30 | straight | pcb | SPDT | .1A @ 125VAC/30VDC | UP01DTANLB04 | 1825043-4 |
| 10.1 | .80 | .6 | .3 | 7.9 +/- .8 | 8 | 50 | straight | pcb | SPDT | .1A @ 125VAC/30VDC | UP01DTANLA04 | 1825043-3 |
| 7.35 | .12 | .2 | .62 | 6.9 +/- .3 | 21 | 80 | none | pcb | SPDT | .1A @ 125VAC/30VDC | UP01DTAOLB04 | 1825043-2 |
| 7.35 | .12 | .2 | .62 | 6.9 +/- .3 | 35 | 150 | none | pcb | SPDT | .1A @ 125VAC/30VDC | UP01DTAOLA04 | 1825043-1 |

THIS DRAWING IS A CONTROLLED DOCUMENT.

DWN M.BINNER 31JAN2005
 CHK M.ZITTO 31JAN2005
 APVD M.ZITTO 31JAN2005

STE TE Connectivity

NAME SWITCH, SNAP ACTION, ULTRAMINIATURE

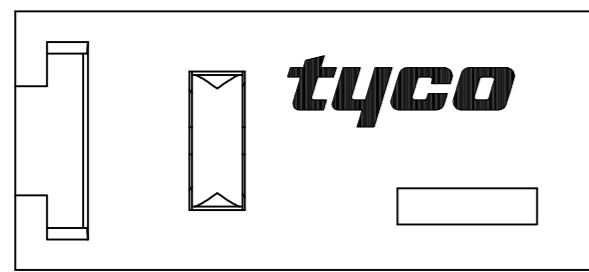
PRODUCT SPEC -
 APPLICATION SPEC -

SIZE A2 CAGE CODE 00779 DRAWING NO C=1825043 RESTRICTED TO -
 WEIGHT -
 MATERIAL - FINISH -

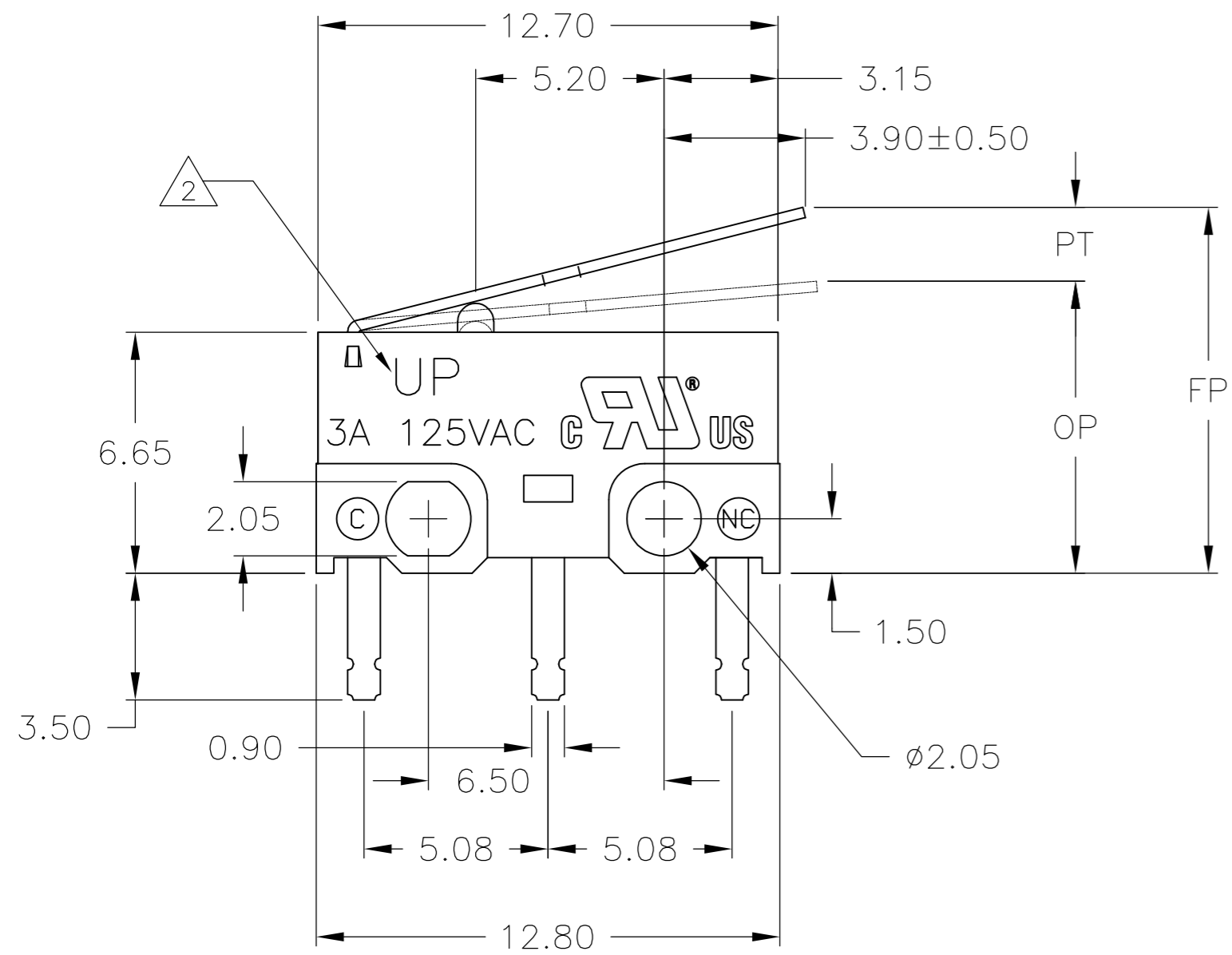
CUSTOMER DRAWING SCALE 6:1 SHEET 1 of 2 REV B7

THIS DRAWING IS UNPUBLISHED. RELEASED FOR PUBLICATION
 © COPYRIGHT - By - ALL RIGHTS RESERVED.

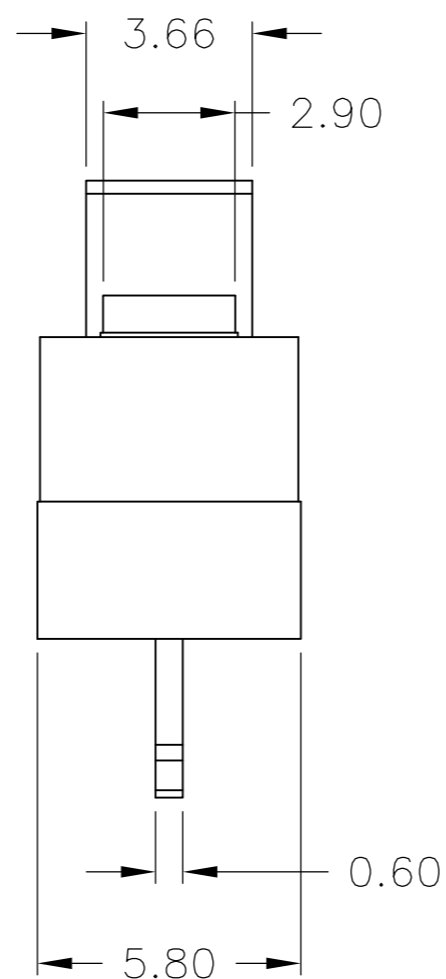
| LOC | | DIST | | REVISIONS | | | |
|-----|-----|-------------|------|-----------|------|--|--|
| P | LTR | DESCRIPTION | DATE | DWN | APVD | | |
| AD | 00 | SEE SHEET 1 | - | - | - | | |



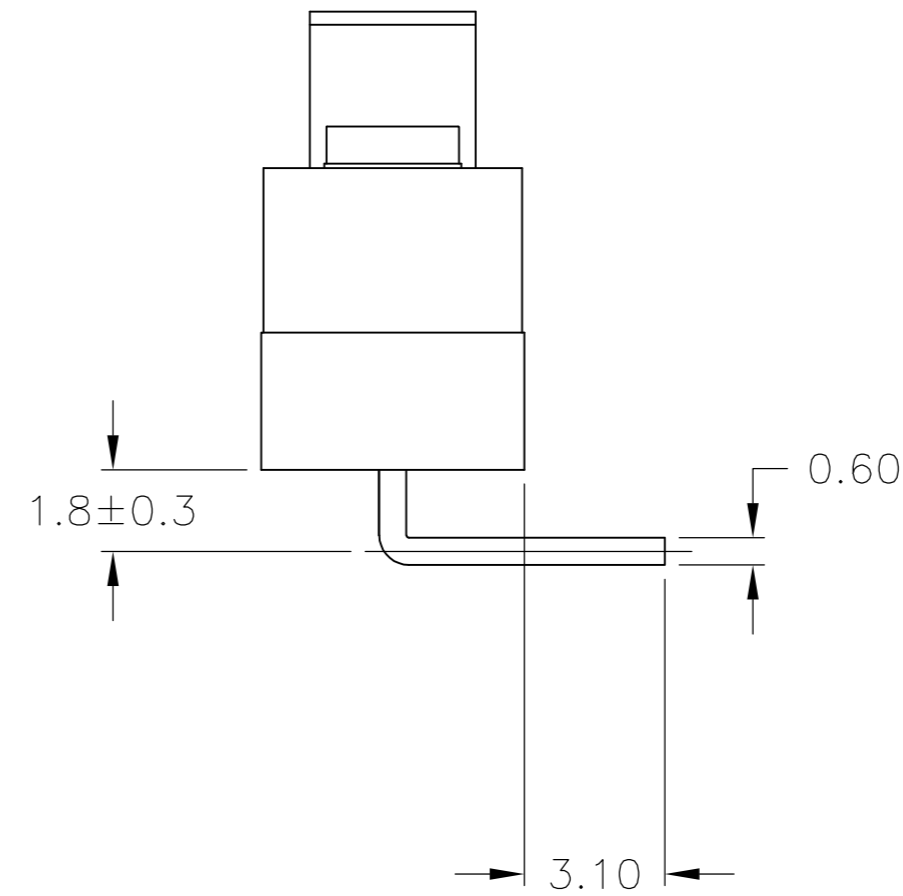
VIEW SHOWN WITH LEVER REMOVED



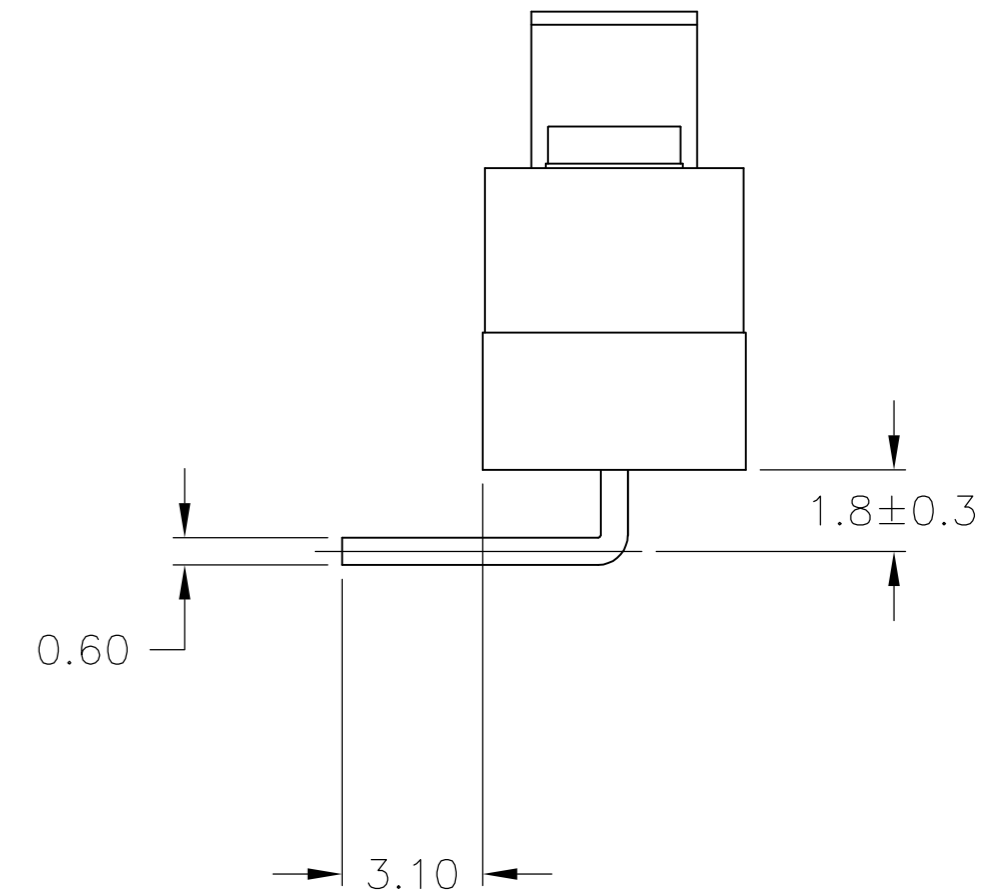
STRAIGHT LEVER SHOWN



PCB TERMINAL



PCB RIGHT TERMINAL



PCB LEFT TERMINAL

| | | | | | |
|---|--|------------------|--------------------|-------------------------------------|---------------|
| THIS DRAWING IS A CONTROLLED DOCUMENT. | | DWN | M.BINNER | 31JAN2005 | |
| DIMENSIONS: mm | | CHK | M ZITTO | 31JAN2005 | |
| TOLERANCES UNLESS OTHERWISE SPECIFIED: | | APVD | M ZITTO | 31JAN2005 | |
| 0 PLC ± - 1 PLC ± - 2 PLC ± 0.40 3 PLC ± - 4 PLC ± - ANGLES ± 1° | | PRODUCT SPEC | NAME | | |
| MATERIAL | | APPLICATION SPEC | | SWITCH, SNAP ACTION, ULTRAMINIATURE | |
| FINISH | | WEIGHT | A2 00779 C=1825043 | | RESTRICTED TO |
| | | CUSTOMER DRAWING | | SCALE 6:1 | SHEET 2 OF 2 |
| | | | | REV B7 | |

1825043

Компания «Life Electronics» занимается поставками электронных компонентов импортного и отечественного производства от производителей и со складов крупных дистрибьюторов Европы, Америки и Азии.

С конца 2013 года компания активно расширяет линейку поставок компонентов по направлению коаксиальный кабель, кварцевые генераторы и конденсаторы (керамические, пленочные, электролитические), за счёт заключения дистрибьюторских договоров

Мы предлагаем:

- Конкурентоспособные цены и скидки постоянным клиентам.
- Специальные условия для постоянных клиентов.
- Подбор аналогов.
- Поставку компонентов в любых объемах, удовлетворяющих вашим потребностям.
- Приемлемые сроки поставки, возможна ускоренная поставка.
- Доставку товара в любую точку России и стран СНГ.
- Комплексную поставку.
- Работу по проектам и поставку образцов.
- Формирование склада под заказчика.
- Сертификаты соответствия на поставляемую продукцию (по желанию клиента).
- Тестирование поставляемой продукции.
- Поставку компонентов, требующих военную и космическую приемку.
- Входной контроль качества.
- Наличие сертификата ISO.

В составе нашей компании организован Конструкторский отдел, призванный помогать разработчикам, и инженерам.

Конструкторский отдел помогает осуществить:

- Регистрацию проекта у производителя компонентов.
- Техническую поддержку проекта.
- Защиту от снятия компонента с производства.
- Оценку стоимости проекта по компонентам.
- Изготовление тестовой платы монтаж и пусконаладочные работы.



Тел: +7 (812) 336 43 04 (многоканальный)
Email: org@lifeelectronics.ru