

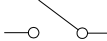

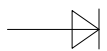
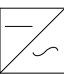
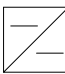


DRAWING GUIDE - Smart - UPS On-line

Sheet No.	Component /Detail	Description
1	Draw ing Guide	Smart-UPS-Online SRT2200XLA+SRT72BP 120VAC Draw ing Guide
2	UPS Isometric View	Smart-UPS-Online SRT2200XLA+SRT72BP 120VAC UPS Isometric View
3	UPS General Arrangement	Smart-UPS-Online SRT2200XLA+SRT72BP 120VAC UPS General Arrangement
4	Battery Isometric View	Smart-UPS-Online SRT2200XLA+SRT72BP 120VAC UPS Isometric View
5	Battery General Arrangement	Smart-UPS-Online SRT2200XLA+SRT72BP 120VAC Battery General Arrangement
6	Solution Isometric View	Smart-UPS-Online SRT2200XLA+SRT72BP 120VAC Solution Isometric View
7	Solution General Arrangement	Smart-UPS-Online SRT2200XLA+SRT72BP 120VAC Solution General Arrangement
8	System One Line Diagram	Smart-UPS-Online SRT2200XLA+SRT72BP 120VAC System One Line Diagram

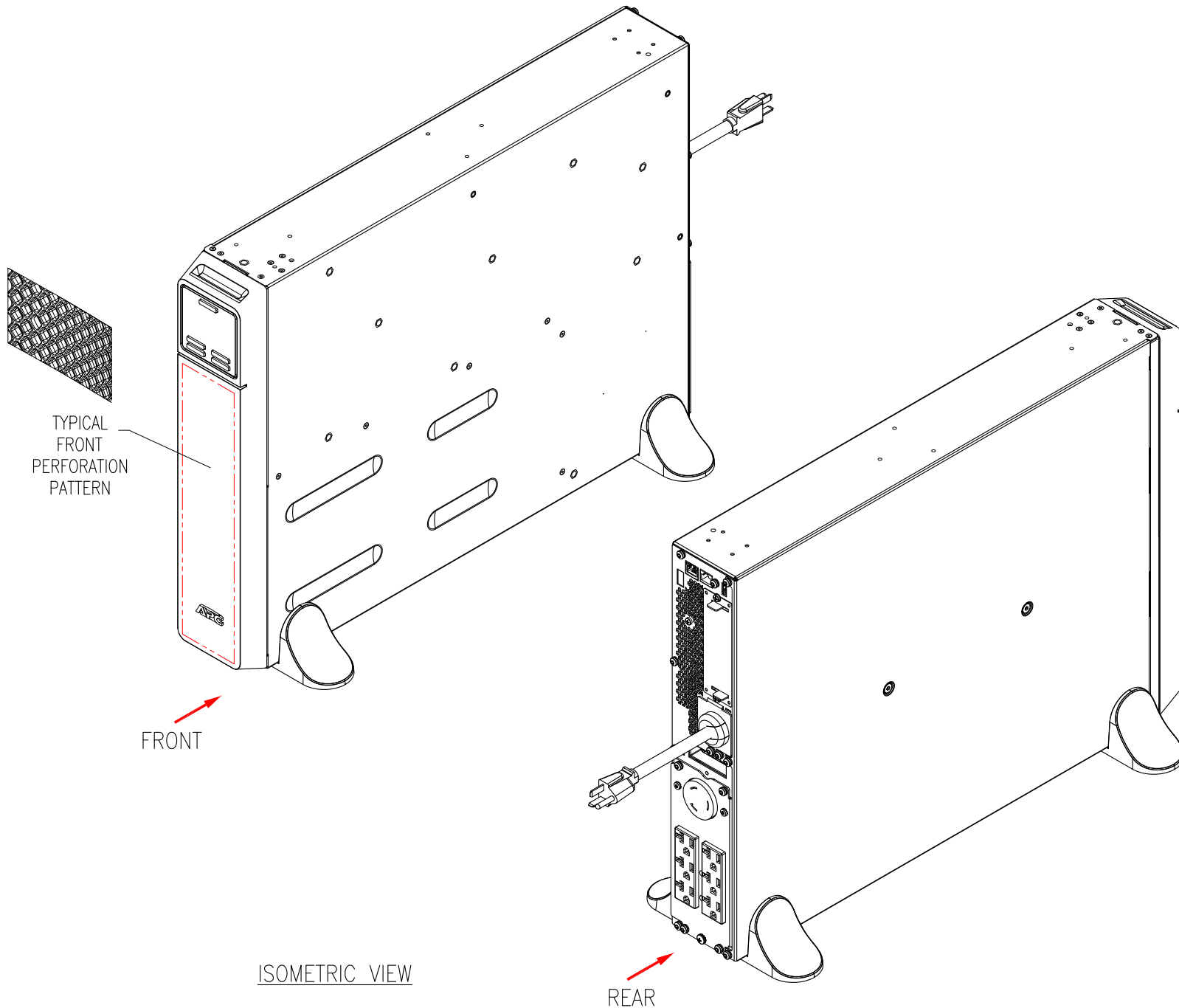
LEGEND			
SYMBOL	DESCRIPTION	SYMBOL	DESCRIPTION
	CIRCUIT BREAKER		AC-DC CONVERTER
	RELAY		BATTERY
	TERMINATOR		DC-AC CONVERTER (INVERTER)
	DC-DC CONVERTER		

THIS DRAWING AND SPECIFICATIONS HEREIN ARE THE PROPERTY OF SCHNEIDER ELECTRIC AND SHALL NOT BE COPIED, REPRODUCED OR USED IN WHOLE OR IN PART, AS THE BASIS FOR THE MANUFACTURE OR SALE OF ITEMS WITHOUT WRITTEN PERMISSION FROM SCHNEIDER ELECTRIC. THIS DRAWING IS BASED UPON LATEST AVAILABLE INFORMATION AND IS SUBJECT TO CHANGE WITHOUT NOTICE.



TITLE: Smart-UPS Online (SRT) SRT2200XLA+SRT72BP
 Input: 120VAC, (L+N+G), 50/60Hz 1PH
 UPS Output: 120VAC, (L+N+G), (6)NEMA 5-20R, (1)NEMA L5-20R
 TOWER UPS AND EXTERNAL BATTERY PACK
 DRAWING GUIDE
 PROJECT: DRAWINGS SHEET 1 OF 8

DWG NO:	REV.
SRT2200XLA	0
DRAWN BY: JAYAPRAKASH	15-APR-16
ENGINEER: CHANDAN	12-MAY-16
APPROVED BY: VENKATRAMAN C	12-MAY-16
	PROJECTION
	N.A



ISOMETRIC VIEW

- NOTES:**
1. INSTALLATION SHALL COMPLY WITH ALL APPLICABLE NATIONAL, STATE AND LOCAL CODES.
 2. REFER TO PRODUCT DOCUMENTATION FOR ADDITIONAL DETAILS PRIOR TO INSTALLATION AND SITE PREPARATION WORK.

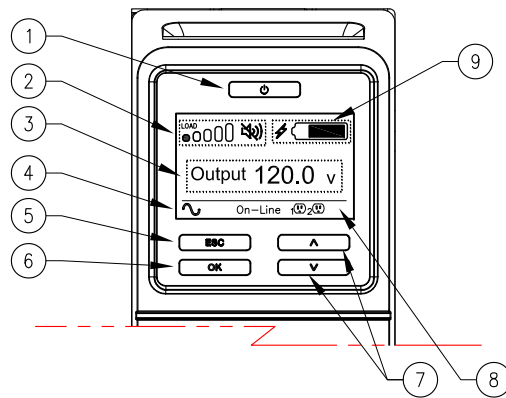
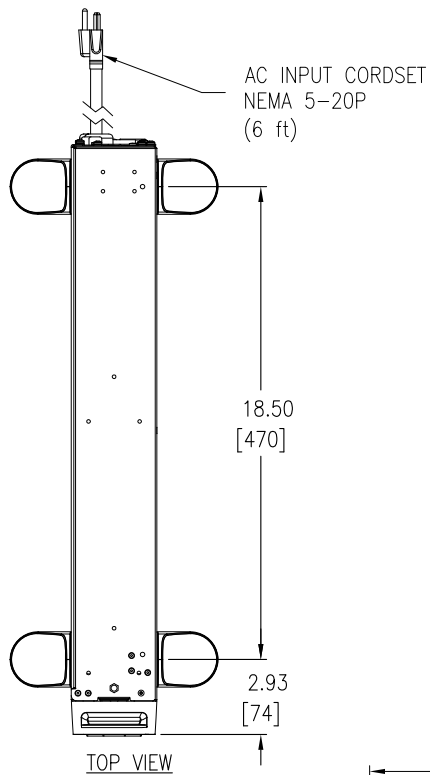
THIS DRAWING AND SPECIFICATIONS HEREIN ARE THE PROPERTY OF SCHNEIDER ELECTRIC AND SHALL NOT BE COPIED, REPRODUCED OR USED IN WHOLE OR IN PART, AS THE BASIS FOR THE MANUFACTURE OR SALE OF ITEMS WITHOUT WRITTEN PERMISSION FROM SCHNEIDER ELECTRIC. THIS DRAWING IS BASED UPON LATEST AVAILABLE INFORMATION AND IS SUBJECT TO CHANGE WITHOUT NOTICE.



TITLE: Smart-UPS Online (SRT) SRT2200XLA+SRT72BP
 Input: 120VAC, (L+N+G), 50/60Hz 1PH
 UPS Output: 120VAC, (L+N+G), (6)NEMA 5-20R, (1)NEMA L5-20R
 TOWER UPS AND EXTERNAL BATTERY PACK
 UPS-ISOMETRIC VIEW

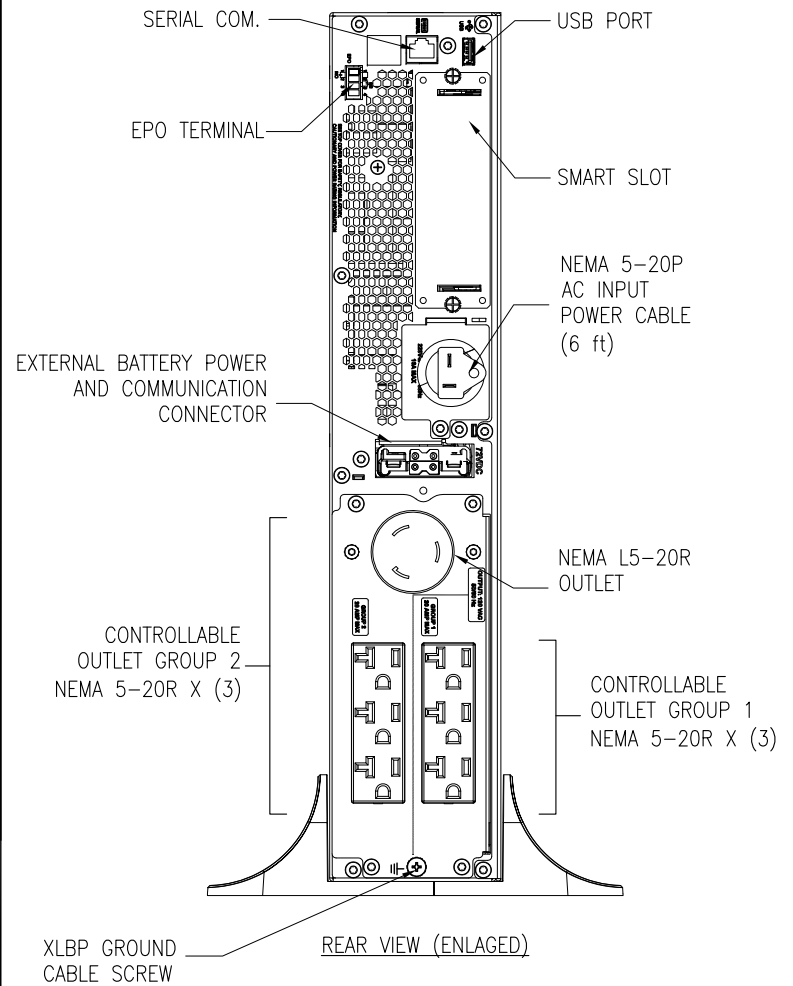
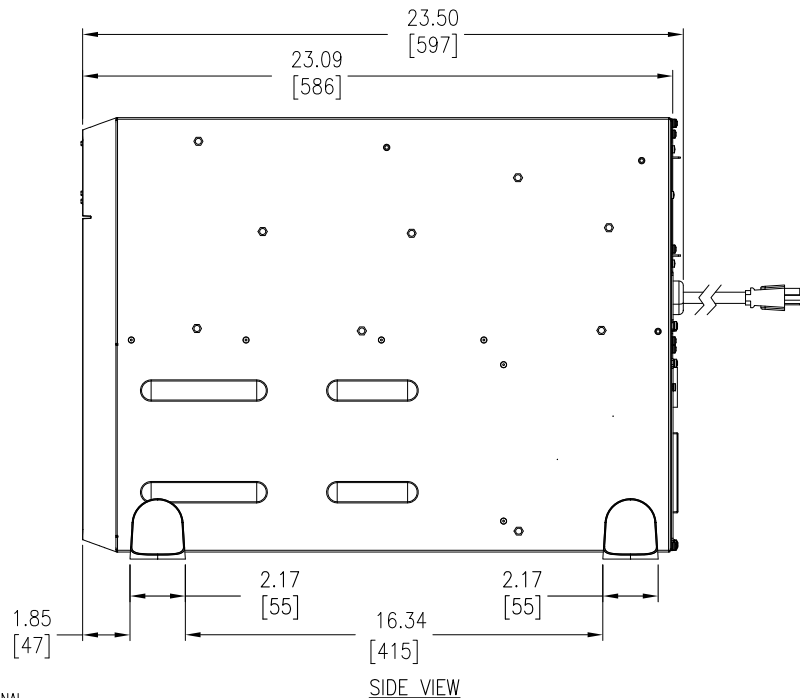
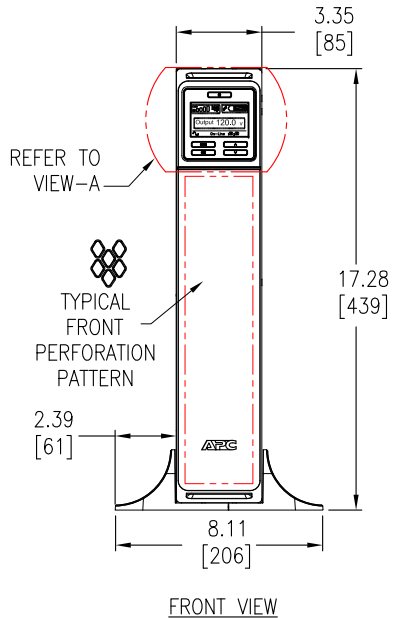
PROJECT: DRAWINGS SHEET 2 OF 8

DWG NO:	SRT2200XLA	REV.	0
DRAWN BY:	JAYAPRAKASH	15-APR-16	THIRD
ENGINEER:	CHANDAN	12-MAY-16	ANGLE
APPROVED BY:	VENKATRAMAN C	12-MAY-16	PROJECTION



DISPLAY INTERFACE:

1. POWER "ON/OFF" BUTTON.
2. LOAD ICON, DISABLE/
MUTE AUDIBLE ALARM ICON.
3. UPS STATUS INFORMATION.
4. OPERATION MODE ICONS.
5. "ESCAPE" BUTTON.
6. "OK" BUTTON.
7. "UP/DOWN" BUTTONS.
8. CONTROLLABLE OUTLET
GROUP STATUS ICONS.
9. BATTERY STATUS ICONS.



- NOTES:
1. INSTALLATION SHALL COMPLY WITH ALL APPLICABLE NATIONAL, STATE AND LOCAL CODES.
 2. REFER TO PRODUCT DOCUMENTATION FOR ADDITIONAL DETAILS PRIOR TO INSTALLATION AND SITE PREPARATION WORK.
 3. ALL DIMENSIONS ARE IN INCHES [MILLIMETERS].
 4. CABLE ENTRY IS FROM REAR OF UNIT.
 5. WEIGHT OF UNIT IS 58.4 lb [26.5kg].

THIS DRAWING AND SPECIFICATIONS HEREIN ARE THE PROPERTY OF SCHNEIDER ELECTRIC AND SHALL NOT BE COPIED, REPRODUCED OR USED IN WHOLE OR IN PART, AS THE BASIS FOR THE MANUFACTURE OR SALE OF ITEMS WITHOUT WRITTEN PERMISSION FROM SCHNEIDER ELECTRIC. THIS DRAWING IS BASED UPON LATEST AVAILABLE INFORMATION AND IS SUBJECT TO CHANGE WITHOUT NOTICE.

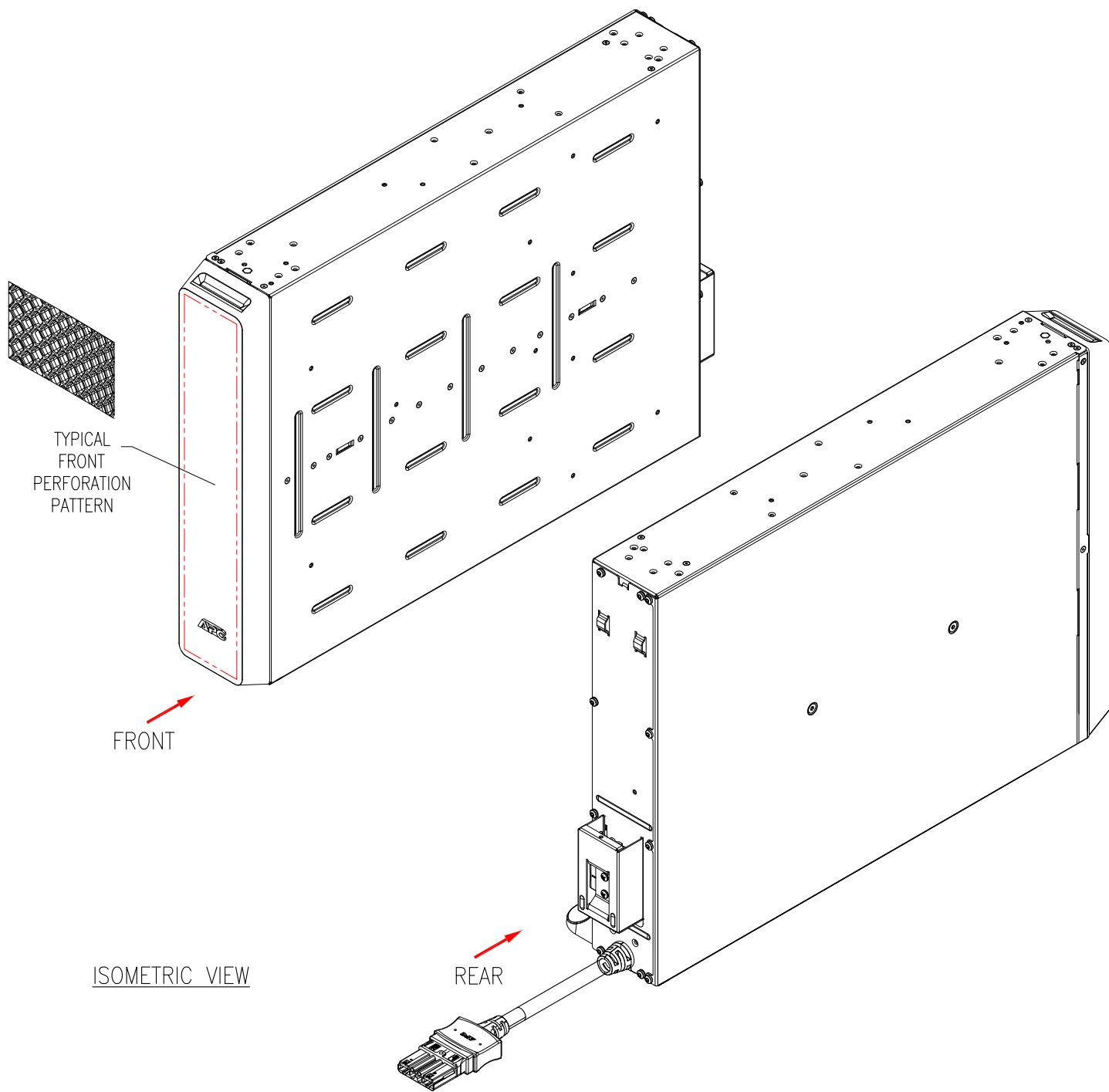
Schneider Electric

TITLE: Smart-UPS Online (SRT) SRT2200XLA+SRT72BP
Input: 120VAC, (L+N+G), 50/60Hz 1PH
UPS Output: 120VAC, (L+N+G), (6)NEMA 5-20R, (1)NEMA L5-20R
TOWER UPS AND EXTERNAL BATTERY PACK
UPS-GENERAL ARRANGEMENT

PROJECT: DRAWINGS SHEET 3 OF 8

DWG NO: SRT2200XLA REV. 0

DRAWN BY: JAYAPRAKASH	15-APR-16	THIRD
ENGINEER: CHANDAN	12-MAY-16	ANGLE
APPROVED BY: VENKATRAMAN C	12-MAY-16	PROJECTION



- NOTES:**
1. INSTALLATION SHALL COMPLY WITH ALL APPLICABLE NATIONAL, STATE AND LOCAL CODES.
 2. REFER TO PRODUCT DOCUMENTATION FOR ADDITIONAL DETAILS PRIOR TO INSTALLATION AND SITE PREPARATION WORK.

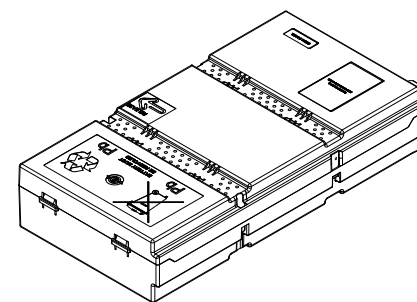
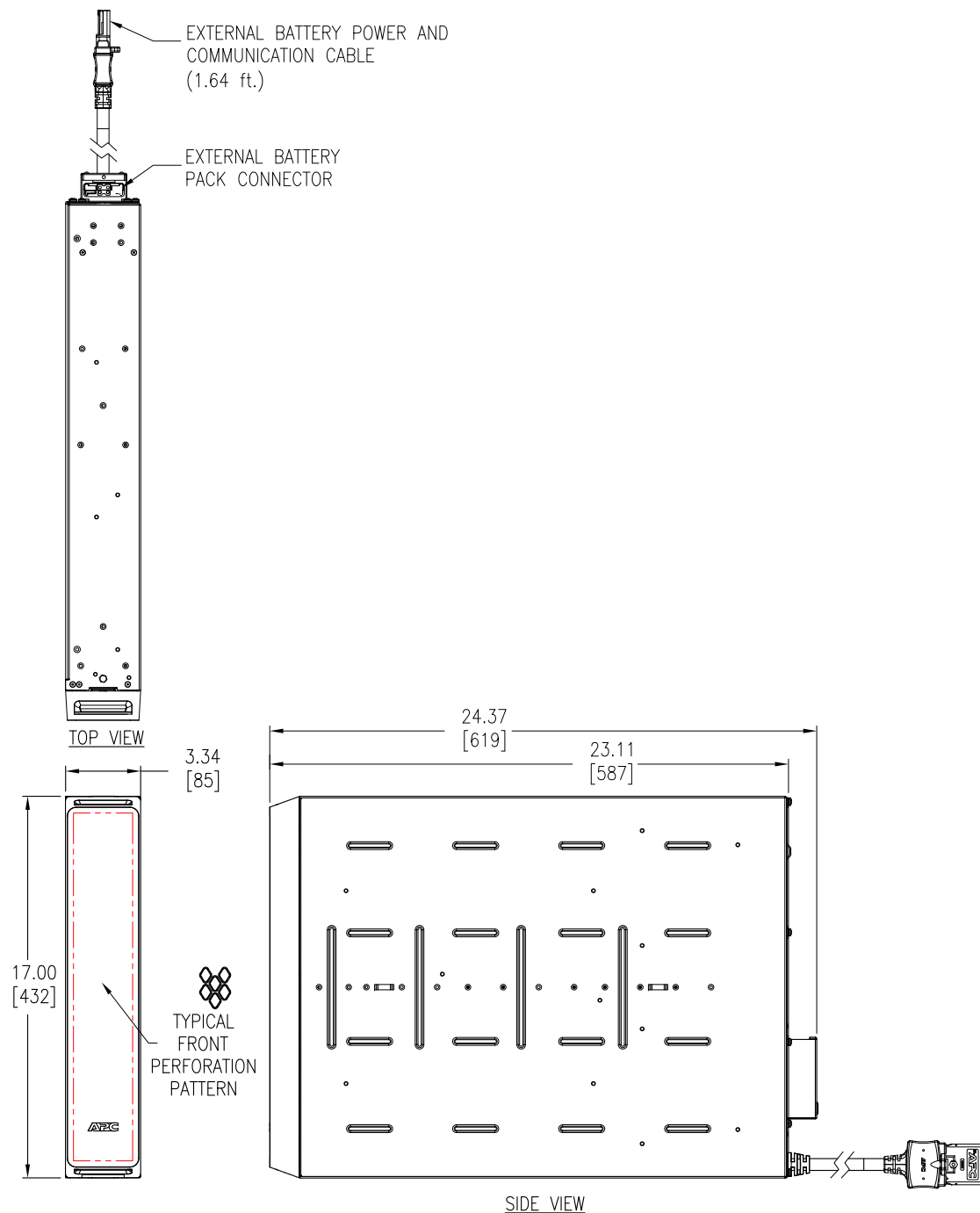
THIS DRAWING AND SPECIFICATIONS HEREIN ARE THE PROPERTY OF SCHNEIDER ELECTRIC AND SHALL NOT BE COPIED, REPRODUCED OR USED IN WHOLE OR IN PART, AS THE BASIS FOR THE MANUFACTURE OR SALE OF ITEMS WITHOUT WRITTEN PERMISSION FROM SCHNEIDER ELECTRIC. THIS DRAWING IS BASED UPON LATEST AVAILABLE INFORMATION AND IS SUBJECT TO CHANGE WITHOUT NOTICE.



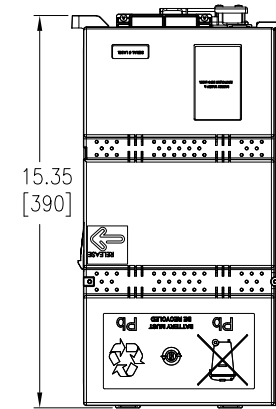
TITLE: Smart-UPS Online (SRT) SRT2200XLA+SRT72BP
 Input: 120VAC, (L+N+G), 50/60Hz 1PH
 UPS Output: 120VAC, (L+N+G), (6)NEMA 5-20R, (1)NEMA L5-20R
 TOWER UPS AND EXTERNAL BATTERY PACK
 BATTERY ISOMETRIC VIEW

PROJECT: DRAWINGS SHEET 4 OF 8

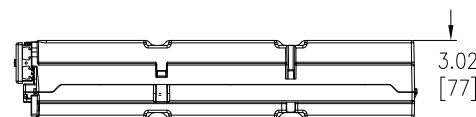
DWG NO:	SRT2200XLA	REV.	0
DRAWN BY:	JAYAPRAKASH	15-APR-16	THIRD
ENGINEER:	CHANDAN	12-MAY-16	ANGLE
APPROVED BY:	VENKATRAMAN C	12-MAY-16	PROJECTION



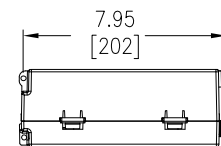
ISOMETRIC VIEW



TOP VIEW



SIDE VIEW



FRONT VIEW

REPLACEMENT BATTERY CARTRIDGE - (APCRBC141)

NOTES:

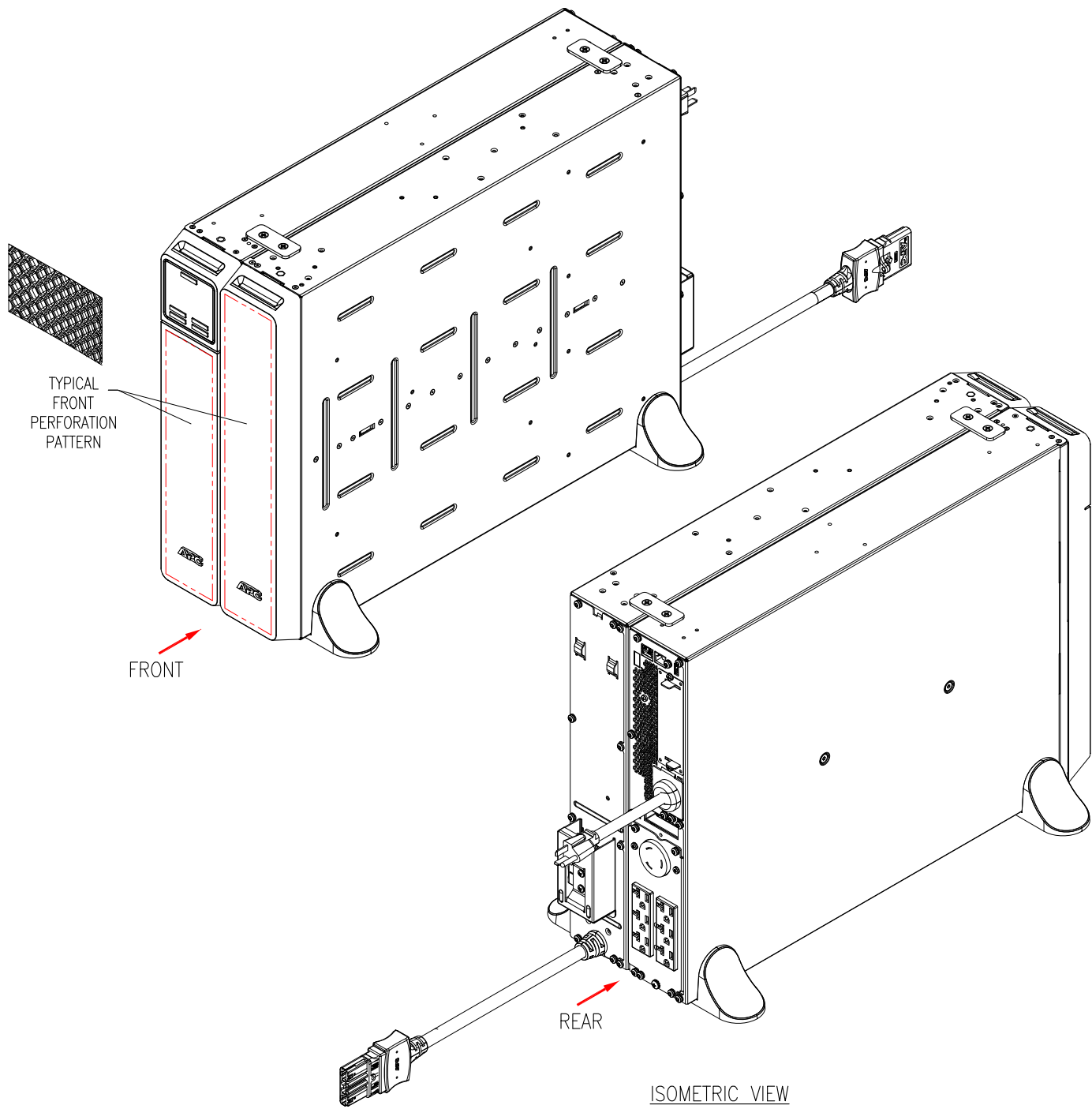
1. INSTALLATION SHALL COMPLY WITH ALL APPLICABLE NATIONAL, STATE AND LOCAL CODES.
2. REFER TO PRODUCT DOCUMENTATION FOR ADDITIONAL DETAILS PRIOR TO INSTALLATION AND SITE PREPARATION WORK.
3. ALL DIMENSIONS ARE IN INCHES [MILLIMETERS].
4. WEIGHT OF UNIT 76.3 lb [34.6kg].

THIS DRAWING AND SPECIFICATIONS HEREIN ARE THE PROPERTY OF SCHNEIDER ELECTRIC AND SHALL NOT BE COPIED, REPRODUCED OR USED IN WHOLE OR IN PART, AS THE BASIS FOR THE MANUFACTURE OR SALE OF ITEMS WITHOUT WRITTEN PERMISSION FROM SCHNEIDER ELECTRIC. THIS DRAWING IS BASED UPON LATEST AVAILABLE INFORMATION AND IS SUBJECT TO CHANGE WITHOUT NOTICE.



TITLE: Smart-UPS Online (SRT) SRT2200XLA+SRT72BP
 Input: 120VAC, (L+N+G), 50/60Hz 1PH
 UPS Output: 120VAC, (L+N+G), (6)NEMA 5-20R, (1)NEMA L5-20R
 TOWER UPS AND EXTERNAL BATTERY PACK
 BATTERY AND CARTRIDGE GENERAL ARRANGEMENT
 PROJECT: DRAWINGS SHEET 5 OF 8

DWG NO:	SRT2200XLA	REV:	0
DRAWN BY:	JAYAPRAKASH	15-APR-16	THIRD
ENGINEER:	CHANDAN	12-MAY-16	ANGLE
APPROVED BY:	VENKATRAMAN C	12-MAY-16	PROJECTION



- NOTES:**
1. INSTALLATION SHALL COMPLY WITH ALL APPLICABLE NATIONAL, STATE AND LOCAL CODES.
 2. REFER TO PRODUCT DOCUMENTATION FOR ADDITIONAL DETAILS PRIOR TO INSTALLATION AND SITE PREPARATION WORK.

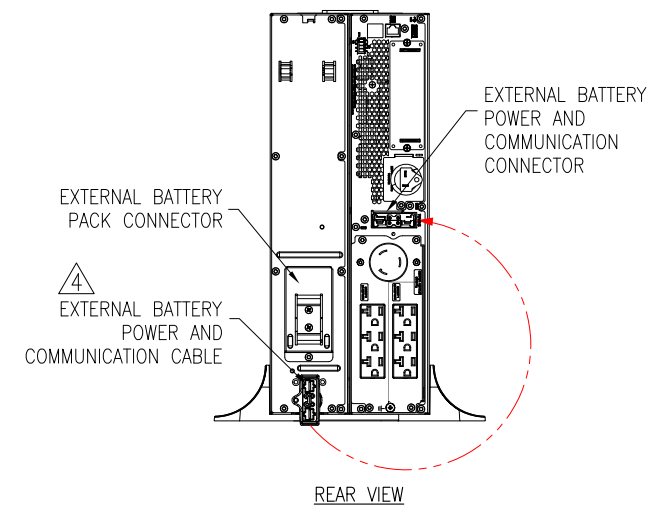
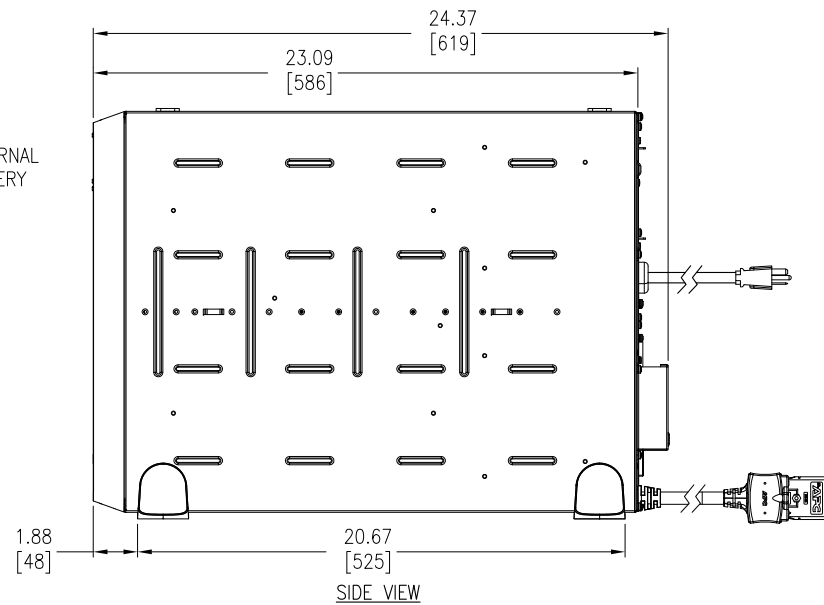
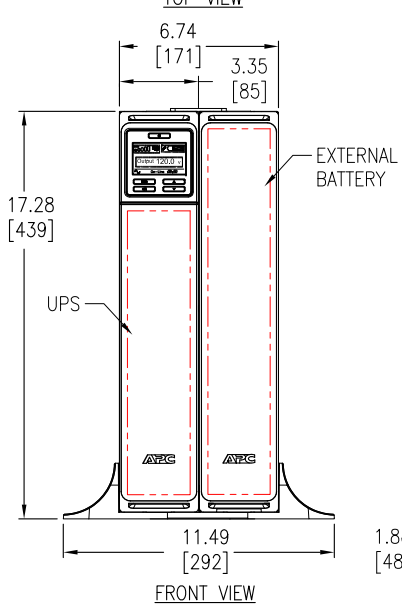
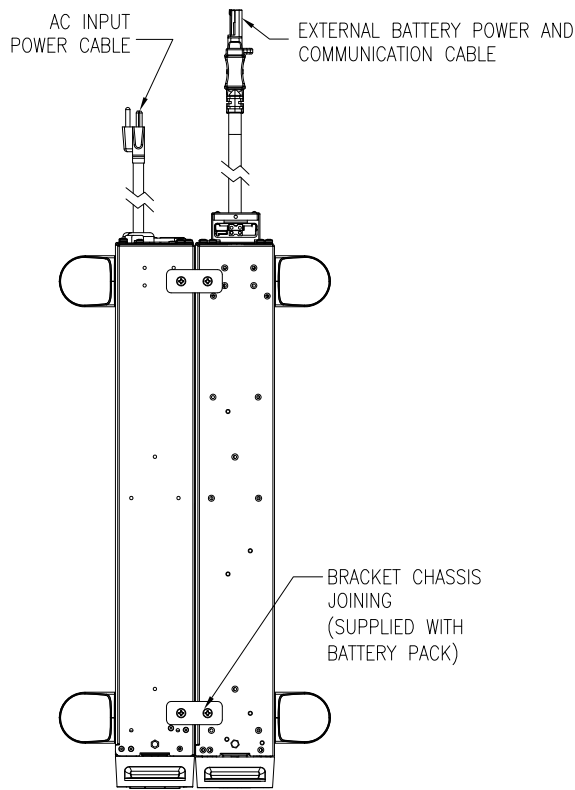
THIS DRAWING AND SPECIFICATIONS HEREIN ARE THE PROPERTY OF SCHNEIDER ELECTRIC AND SHALL NOT BE COPIED, REPRODUCED OR USED IN WHOLE OR IN PART, AS THE BASIS FOR THE MANUFACTURE OR SALE OF ITEMS WITHOUT WRITTEN PERMISSION FROM SCHNEIDER ELECTRIC. THIS DRAWING IS BASED UPON LATEST AVAILABLE INFORMATION AND IS SUBJECT TO CHANGE WITHOUT NOTICE.



TITLE: Smart-UPS Online (SRT) SRT2200XLA+SRT72BP
 Input: 120VAC, (L+N+G), 50/60Hz 1PH
 UPS Output: 120VAC, (L+N+G), (6)NEMA 5-20R, (1)NEMA L5-20R
 TOWER UPS AND EXTERNAL BATTERY PACK
 SOLUTION-ISOMETRIC VIEW

PROJECT: DRAWINGS **SHEET** 6 OF 8

DWG NO:	SRT2200XLA	REV.	0
DRAWN BY:	JAYAPRAKASH	15-APR-16	THIRD
ENGINEER:	CHANDAN	12-MAY-16	ANGLE
APPROVED BY:	VENKATRAMAN C	12-MAY-16	PROJECTION



- NOTES:
1. INSTALLATION SHALL COMPLY WITH ALL APPLICABLE NATIONAL, STATE AND LOCAL CODES.
 2. REFER TO PRODUCT DOCUMENTATION FOR ADDITIONAL DETAILS PRIOR TO INSTALLATION AND SITE PREPARATION WORK.
 3. ALL DIMENSIONS ARE IN INCHES [MILLIMETERS].
 - △ 4. CONNECT EXTERNAL BATTERY POWER AND COMMUNICATION CABLE TO EXTERNAL BATTERY POWER AND COMMUNICATION CONNECTOR OF UPS.

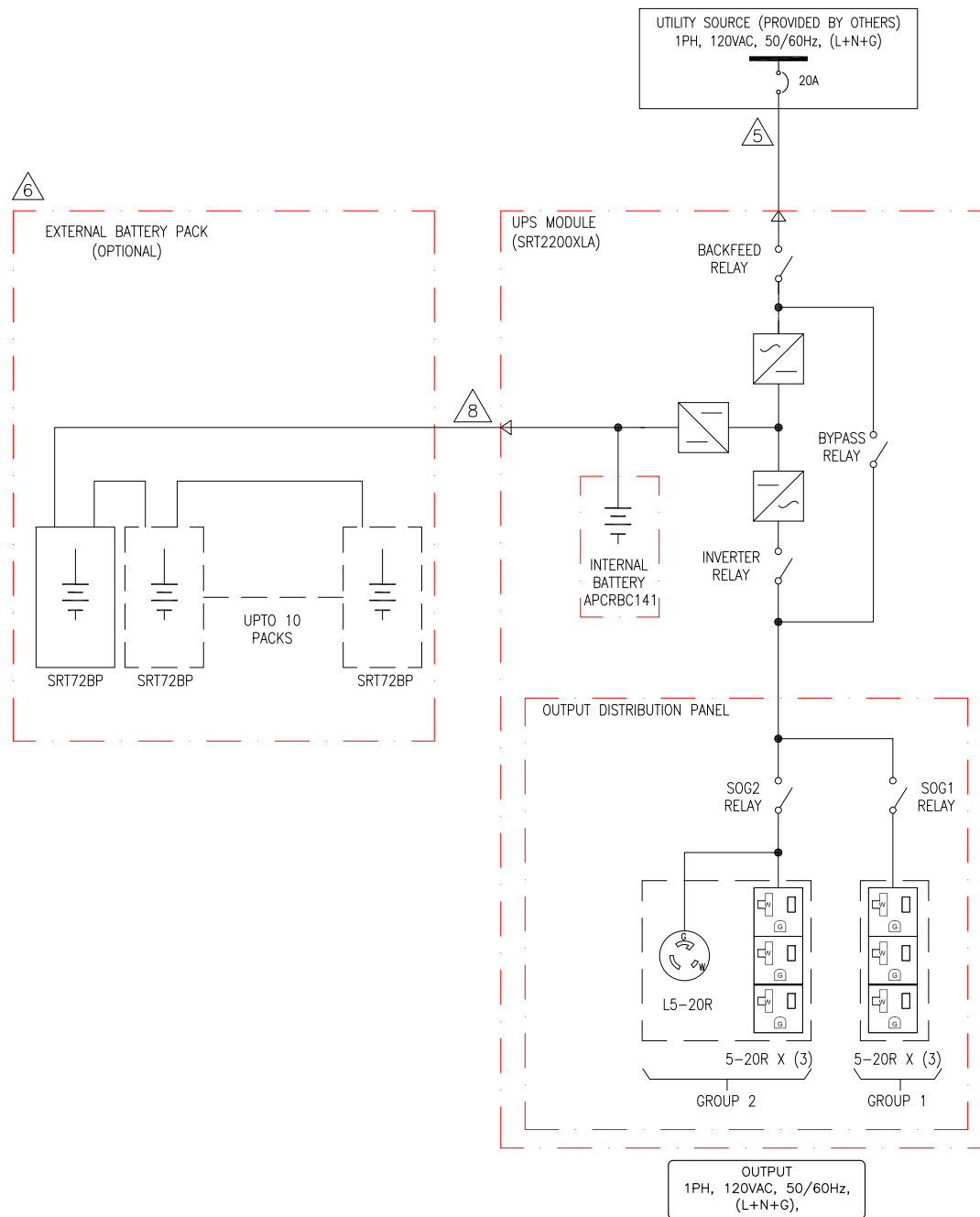
THIS DRAWING AND SPECIFICATIONS HEREIN ARE THE PROPERTY OF SCHNEIDER ELECTRIC AND SHALL NOT BE COPIED, REPRODUCED OR USED IN WHOLE OR IN PART, AS THE BASIS FOR THE MANUFACTURE OR SALE OF ITEMS WITHOUT WRITTEN PERMISSION FROM SCHNEIDER ELECTRIC. THIS DRAWING IS BASED UPON LATEST AVAILABLE INFORMATION AND IS SUBJECT TO CHANGE WITHOUT NOTICE.



TITLE: Smart-UPS Online (SRT) SRT2200XLA+SRT72BP
 Input: 120VAC, (L+N+G), 50/60Hz 1PH
 UPS Output: 120VAC, (L+N+G), (6)NEMA 5-20R, (1)NEMA L5-20R
 TOWER UPS AND EXTERNAL BATTERY PACK SOLUTION - GENERAL ARRANGEMENT

PROJECT: DRAWINGS SHEET 7 OF 8

DWG NO:	SRT2200XLA	REV.	0
DRAWN BY:	JAYAPRAKASH	15-APR-16	THIRD
ENGINEER:	CHANDAN	12-MAY-16	ANGLE
APPROVED BY:	VENKATRAMAN C	12-MAY-16	PROJECTION



NOTES:

1. INSTALLATION SHALL COMPLY WITH ALL APPLICABLE NATIONAL, STATE AND LOCAL CODES.
2. REFER TO PRODUCT DOCUMENTATION FOR ADDITIONAL DETAILS PRIOR TO INSTALLATION AND SITE PREPARATION WORK.
3. DRAWING DEPICTS POWER SYSTEM CONNECTIONS AND IS NOT REPRESENTATIVE OF PHYSICAL LAYOUT. PLEASE REFER TO MECHANICAL DRAWINGS FOR MORE SPECIFIC PHYSICAL DATA.
4. UTILITY SOURCE MUST BE 1PH, 120VAC (L+N+G), 50/60Hz PROVIDED BY OTHERS.
- △5. CORDSET 6 FEET, NEMA 5-20P IS PART OF UPS SKU# SRT2200XLA.
- △6. A MAXIMUM OF 10 EXTERNAL BATTERY PACKS CAN BE CONNECTED WITH UPS TO GET EXTENDED RUN TIME.
7. OUTPUT DISTRIBUTION PANEL CONTAINS CONTROLLABLE OUTPUT GROUPS. REFER TO INSTALLATION MANUAL FOR DETAILED INSTRUCTIONS.
- △8. CABLE IS PART OF EXTERNAL BATTERY PACK SKU #: SRT72BP.

THIS DRAWING AND SPECIFICATIONS HEREIN ARE THE PROPERTY OF SCHNEIDER ELECTRIC AND SHALL NOT BE COPIED, REPRODUCED OR USED IN WHOLE OR IN PART, AS THE BASIS FOR THE MANUFACTURE OR SALE OF ITEMS WITHOUT WRITTEN PERMISSION FROM SCHNEIDER ELECTRIC. THIS DRAWING IS BASED UPON LATEST AVAILABLE INFORMATION AND IS SUBJECT TO CHANGE WITHOUT NOTICE.



TITLE: Smart-UPS Online (SRT) SRT2200XLA+SRT72BP
 Input: 120VAC, (L+N+G), 50/60Hz 1PH
 UPS Output: 120VAC, (L+N+G), (6)NEMA 5-20R, (1)NEMA L5-20R
 TOWER UPS AND EXTERNAL BATTERY PACK
 SYSTEM ONLINE DIAGRAM
PROJECT: DRAWINGS **SHEET** 8 OF 8

DWG NO: SRT2200XLA

DRAWN BY: JAYAPRAKASH 15-APR-16
ENGINEER: M.H.LIPARE 12-MAY-16
APPROVED BY: VENKATRAMAN C 12-MAY-16

REV. 0
ANGLE
PROJECTION
 N.A

Компания «Life Electronics» занимается поставками электронных компонентов импортного и отечественного производства от производителей и со складов крупных дистрибьюторов Европы, Америки и Азии.

С конца 2013 года компания активно расширяет линейку поставок компонентов по направлению коаксиальный кабель, кварцевые генераторы и конденсаторы (керамические, пленочные, электролитические), за счёт заключения дистрибьюторских договоров

Мы предлагаем:

- Конкуренспособные цены и скидки постоянным клиентам.
- Специальные условия для постоянных клиентов.
- Подбор аналогов.
- Поставку компонентов в любых объемах, удовлетворяющих вашим потребностям.
- Приемлемые сроки поставки, возможна ускоренная поставка.
- Доставку товара в любую точку России и стран СНГ.
- Комплексную поставку.
- Работу по проектам и поставку образцов.
- Формирование склада под заказчика.
- Сертификаты соответствия на поставляемую продукцию (по желанию клиента).
- Тестирование поставляемой продукции.
- Поставку компонентов, требующих военную и космическую приемку.
- Входной контроль качества.
- Наличие сертификата ISO.

В составе нашей компании организован Конструкторский отдел, призванный помогать разработчикам, и инженерам.

Конструкторский отдел помогает осуществить:

- Регистрацию проекта у производителя компонентов.
- Техническую поддержку проекта.
- Защиту от снятия компонента с производства.
- Оценку стоимости проекта по компонентам.
- Изготовление тестовой платы монтаж и пусконаладочные работы.



Тел: +7 (812) 336 43 04 (многоканальный)

Email: org@lifeelectronics.ru