

**FEATURES**

- 3.3V and 5V power supply options
- 320ps typical propagation delay
- Maximum frequency > 3GHz typical
- 75KΩ internal input pulldown resistor
- Transistor count: 143
- Available in 8-Pin (3mmx3mm) MSOP, SOIC and MLF® (2mmx2mm) packages



ECL Pro®

**DESCRIPTION**

The SY10EP51V is a D flip-flop with reset and differential clock. The device is pin and functionally equivalent to the EL51 device.

The reset input is an asynchronous, level triggered signal. Data enters the master portion of the flip-flop when CLK is LOW and is transferred to the slave, and thus the outputs, upon a positive transition of the CLK. The differential clock inputs of the EP51V allow the device to be used as a negative edge triggered flip-flop.

The differential input employs clamp circuitry to maintain stability under open input conditions. When left open, the CLK input will be pulled down to  $V_{EE}$  and the /CLK input will be biased a  $V_{CC}/2$ .

**PIN NAMES**

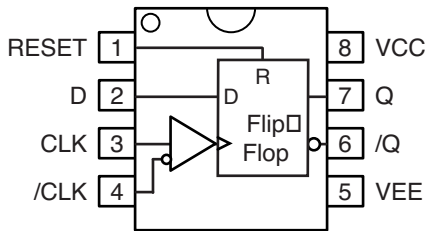
Pin	Function
CLK, /CLK	ECL Clock Inputs
RESET	ECL Asynchronous Reset
D	ECL Data Input
Q, /Q	ECL Data Outputs
$V_{CC}$	Positive Supply
$V_{EE}$	Negative, 0 Supply

**TRUTH TABLE**

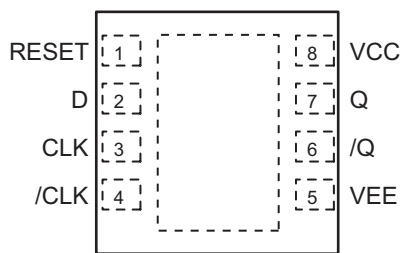
D	RESET	CLK	Q
L	L	Z	L
H	L	Z	H
X	H	X	L

Z = LOW to HIGH Transition

**PACKAGE/ORDERING INFORMATION**



**8-Pin SOIC and MSOP Packages**



**8-Pin (2mmx2mm) MLF®**

**Ordering Information<sup>(1)</sup>**

Part Number	Package Type	Operating Range	Package Marking	Lead Finish
SY10EP51VKC	K8-1	Commercial	HP51	Sn-Pb
SY10EP51VKCTR <sup>(2)</sup>	K8-1	Commercial	HP51	Sn-Pb
SY10EP51VZC	Z8-1	Commercial	HEP51V	Sn-Pb
SY10EP51VZCTR <sup>(2)</sup>	Z8-1	Commercial	HEP51V	Sn-Pb
SY10EP51VKI	K8-1	Industrial	HP51	Sn-Pb
SY10EP51VKITR <sup>(2)</sup>	K8-1	Industrial	HP51	Sn-Pb
SY10EP51VZI	Z8-1	Industrial	HEP51V	Sn-Pb
SY10EP51VZITR <sup>(2)</sup>	Z8-1	Industrial	HEP51V	Sn-Pb
SY10EP51VKG <sup>(3)</sup>	K8-1	Industrial	HP51 with Pb-Free bar-line indicator	Pb-Free NiPdAu
SY10EP51VKGTR <sup>(2, 3)</sup>	K8-1	Industrial	HP51 with Pb-Free bar-line indicator	Pb-Free NiPdAu
SY10EP51VMGTR <sup>(2, 3)</sup>	MLF-8	Industrial	H51 with Pb-Free bar-line indicator	Pb-Free NiPdAu
SY10EP51VZG <sup>(3)</sup>	Z8-1	Industrial	HEP51V with Pb-Free bar-line indicator	Pb-Free NiPdAu
SY10EP51VZGTR <sup>(2, 3)</sup>	Z8-1	Industrial	HEP51V with Pb-Free bar-line indicator	Pb-Free NiPdAu

**Notes:**

1. Contact factory for die availability. Dice are guaranteed at T<sub>A</sub> = 25°C, DC Electricals only.
2. Tape and Reel.
3. Pb-Free package is recommended for new designs.

**ABSOLUTE MAXIMUM RATINGS<sup>(1)</sup>**

Symbol	Rating	Value	Unit
$V_{CC} - V_{EE}$	Power Supply Voltage	6V	V
$V_{IN}$	Input Voltage ( $V_{CC} = 0V$ , $V_{IN}$ not more negative than $V_{EE}$ ) Input Voltage ( $V_{EE} = 0V$ , $V_{IN}$ not more positive than $V_{CC}$ )	-6.0 to 0 +6.0 to 0	V V
$I_{OUT}$	Output Current -Continuous -Surge	50 100	mA
$T_{LEAD}$	Lead Temperature (soldering, 20sec.)	+260	°C
$T_A$	Operating Temperature Range	-40 to +85	°C
$T_{store}$	Storage Temperature Range	-65 to +150	°C
$\theta_{JA}$	Package Thermal Resistance (Junction-to-Ambient)	-Still-Air (SOIC) -500lfpm (SOIC) -Still-Air (MSOP) -500lfpm (MSOP) -Still-Air (MLF®) -500lfpm (MLF®)	160 109 206 155 93 87 °C/W °C/W °C/W
$\theta_{JC}$	Package Thermal Resistance (Junction-to-Case)	(SOIC) (MSOP) (MLF®)	39 39 60 °C/W

**Note 1.** Permanent device damage may occur if absolute maximum ratings are exceeded. This is a stress rating only and functional operation is not implied at conditions other than those detailed in the operational sections of this data sheet. Exposure to absolute maximum rating conditions for extended periods may affect device reliability.

**5V PECL DC ELECTRICAL CHARACTERISTICS<sup>(1)</sup>**

$V_{CC} = 5.0V$ ,  $V_{EE} = 0V$ <sup>(2)</sup>

Symbol	Parameter	$T_A = -40^\circ C$			$T_A = +25^\circ C$			$T_A = +85^\circ C$			Unit
		Min.	Typ.	Max.	Min.	Typ.	Max.	Min.	Typ.	Max.	
$I_{EE}$	Power Supply Current <sup>(3)</sup>	—	35	40	—	35	40	—	35	40	mA
$V_{OH}$	Output HIGH Voltage <sup>(4)</sup>	3865	3990	4115	3930	4055	4180	3990	4115	4240	mV
$V_{OL}$	Output LOW Voltage <sup>(4)</sup>	3050	3190	3315	3050	3255	3380	3050	3315	3440	mV
$V_{IH}$	Input HIGH Voltage (Single-Ended)	3790	—	4115	3855	—	4180	3915	—	4240	mV
$V_{IL}$	Input LOW Voltage (Single-Ended)	3065	—	3390	3130	—	3455	3190	—	3515	mV
$V_{IHCMR}$	Input HIGH Voltage <sup>(5)</sup> Common Mode Range	2.0	—	$V_{CC}$	2.0	—	$V_{CC}$	2.0	—	$V_{CC}$	V
$I_{IH}$	Input HIGH Current	—	—	150	—	—	150	—	—	150	μA
$I_{IL}$	Input LOW Current	0.5	—	—	0.5	—	—	0.5	—	—	μA

**Note 1.** 10EP circuits are designed to meet the DC specifications shown in the above table after thermal equilibrium has been established. The circuit is in a test socket or mounted on a printed circuit board and traverse airflow greater than 500lfpm is maintained.

**Note 2.** Input and output parameters vary 1:1 with  $V_{CC}$ .  $V_{CC}$  can vary +0.25V to +0.5V.

**Note 3.**  $V_{CC} = 0V$ ,  $V_{EE} = V_{EE}(\text{min.})$  to  $V_{EE}(\text{max.})$ , all other pins floating.

**Note 4.** All loading with 50Ω to  $V_{CC} - 2.0V$ .

**Note 5.**  $V_{IHCMR}(\text{min})$  varies 1:1 with  $V_{EE}$ ,  $V_{IHCMR}(\text{max})$  varies 1:1 with  $V_{CC}$ . The  $V_{IHCMR}$  range is referenced to the most positive side of the differential input signal.

**3.3V LVPECL DC ELECTRICAL CHARACTERISTICS<sup>(1)</sup>**

$V_{CC} = 3.3V, V_{EE} = 0V^{(2)}$

Symbol	Parameter	$T_A = -40^\circ C$			$T_A = +25^\circ C$			$T_A = +85^\circ C$			Unit
		Min.	Typ.	Max.	Min.	Typ.	Max.	Min.	Typ.	Max.	
$I_{EE}$	Power Supply Current <sup>(3)</sup>	—	35	40	—	35	40	—	35	40	mA
$V_{OH}$	Output HIGH Voltage <sup>(4)</sup>	2165	2290	2415	2230	2355	2480	2290	2415	2540	mV
$V_{OL}$	Output LOW Voltage <sup>(4)</sup>	1350	1490	1615	1350	1555	1680	1350	1615	1740	mV
$V_{IH}$	Input HIGH Voltage (Single-Ended)	2090	—	2415	2155	—	2480	2215	—	2540	mV
$V_{IL}$	Input LOW Voltage (Single-Ended)	1365	—	1690	1430	—	1755	1490	—	1815	mV
$V_{IHCMR}$	Input HIGH Voltage <sup>(5)</sup> Common Mode Range (Diff.)	2.0	—	$V_{CC}$	2.0	—	$V_{CC}$	2.0	—	$V_{CC}$	V
$I_{IH}$	Input HIGH Current	—	—	150	—	—	150	—	—	150	$\mu A$
$I_{IL}$	Input LOW Current	0.5	—	—	0.5	—	—	0.5	—	—	$\mu A$

- Note 1.** 10EP circuits are designed to meet the DC specifications shown in the above table after thermal equilibrium has been established. The circuit is in a test socket or mounted on a printed circuit board and traverse airflow greater than 500lfpm is maintained.
- Note 2.** Input and output parameters vary 1:1 with  $V_{CC}$ .  $V_{CC}$  can vary  $-0.3V$  to  $+0.5V$ .
- Note 3.**  $V_{CC} = 0V$ ,  $V_{EE} = V_{EE}(\text{min.})$  to  $V_{EE}(\text{max.})$ , all other pins floating.
- Note 4.** All loading with  $50\Omega$  to  $V_{CC} - 2.0V$ .
- Note 5.**  $V_{IHCMR}(\text{min})$  varies 1:1 with  $V_{EE}$ ,  $V_{IHCMR}(\text{max})$  varies 1:1 with  $V_{CC}$ . The  $V_{IHCMR}$  range is referenced to the most positive side of the differential input signal.

**NECL/LVECL DC ELECTRICAL CHARACTERISTICS<sup>(1)</sup>**

$V_{CC} = 0V, V_{EE} = -5.5V \text{ to } -3.0V$

Symbol	Parameter	$T_A = -40^\circ C$			$T_A = +25^\circ C$			$T_A = +85^\circ C$			Unit
		Min.	Typ.	Max.	Min.	Typ.	Max.	Min.	Typ.	Max.	
$I_{EE}$	Power Supply Current <sup>(2)</sup>	—	35	40	—	35	40	—	35	40	mA
$V_{OH}$	Output HIGH Voltage <sup>(3)</sup>	-1135	-1010	-0885	-1070	-0945	-0820	-1010	-0885	-0760	mV
$V_{OL}$	Output LOW Voltage <sup>(3)</sup>	-1950	-1810	-1685	-1950	-1745	-1620	-1950	-1685	-1560	mV
$V_{IH}$	Input HIGH Voltage	-1210	—	-0885	-1145	—	-0820	-1085	—	-0760	mV
$V_{IL}$	Input LOW Voltage	-1935	—	-1610	-1870	—	-1545	-1810	—	-1485	mV
$V_{IHCMR}$	Input HIGH Voltage Common Mode Range <sup>(4)</sup>	$V_{EE}+2.0$		0.0	$V_{EE}+2.0$		0.0	$V_{EE}+2.0$		0.0	V
$I_{IH}$	Input HIGH Current	—	—	150	—	—	150	—	—	150	$\mu A$
$I_{IL}$	Input LOW Current	0.5	—	—	0.5	—	—	0.5	—	—	$\mu A$

- Note 1.** 10EP circuits are designed to meet the DC specifications shown in the above table after thermal equilibrium has been established. The circuit is in a test socket or mounted on a printed circuit board and traverse airflow greater than 500lfpm is maintained.
- Note 2.**  $V_{CC} = 0V$ ,  $V_{EE} = V_{EE}(\text{min})$  to  $V_{EE}(\text{max})$ , all other pins floating.
- Note 3.** All loading with  $50\Omega$  to  $V_{CC} - 2.0V$ .
- Note 4.**  $V_{IHCMR}$  min varies 1:1 with  $V_{EE}$ , max varies 1:1 with  $V_{CC}$ .

## AC ELECTRICAL CHARACTERISTICS

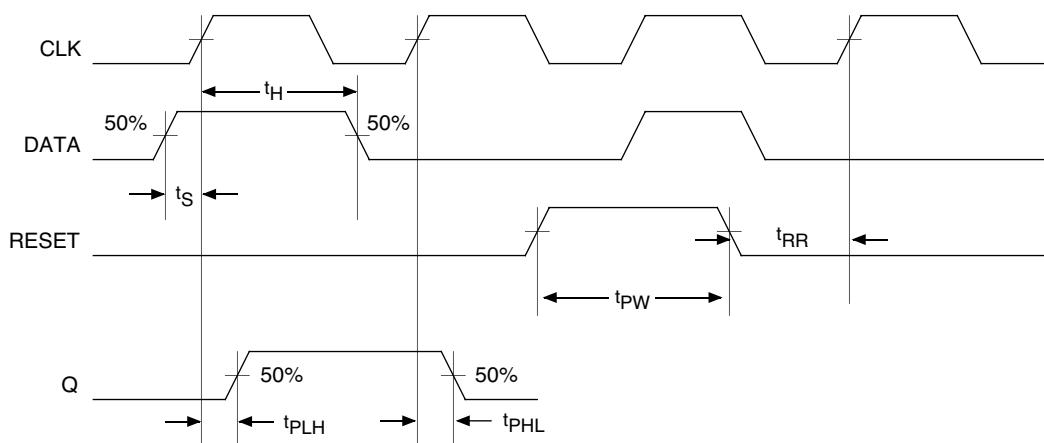
$V_{CC} = 0V$ ,  $V_{EE} = -3.0V$  to  $-5.5V$ ;  $V_{CC} = 3.0V$  to  $5.5V$ ,  $V_{EE} = 0V^{(1)}$

Symbol	Parameter	$T_A = -40^\circ C$			$T_A = +25^\circ C$			$T_A = +85^\circ C$			Unit
		Min.	Typ.	Max.	Min.	Typ.	Max.	Min.	Typ.	Max.	
$f_{MAX}$	Maximum Toggle Frequency <sup>(2)</sup>	3	—	—	3	—	—	3	—	—	GHz
$t_{PLH}$ $t_{PHL}$	Propagation Delay to Output Differential CLK, /CLK → Q, /Q RESET → Q, /Q	250 260	300 310	350 450	270 210	320 320	370 475	300 280	350 320	420 500	ps
$t_{RR}$	Reset Recovery	150	—	—	150	—	—	150	—	—	ps
$t_S$	Setup Time	100	—	—	100	80	—	100	—	—	ps
$t_H$	Hold Time	100	—	—	100	40	—	100	—	—	ps
$t_{PW}$	Minimum Pulse Width RESET	500	440	—	500	440	—	500	440	—	ps
$t_r$ $t_f$	Output Rise/Fall Times Q, /Q (20% to 80%)	70	120	170	80	130	180	100	150	200	ps

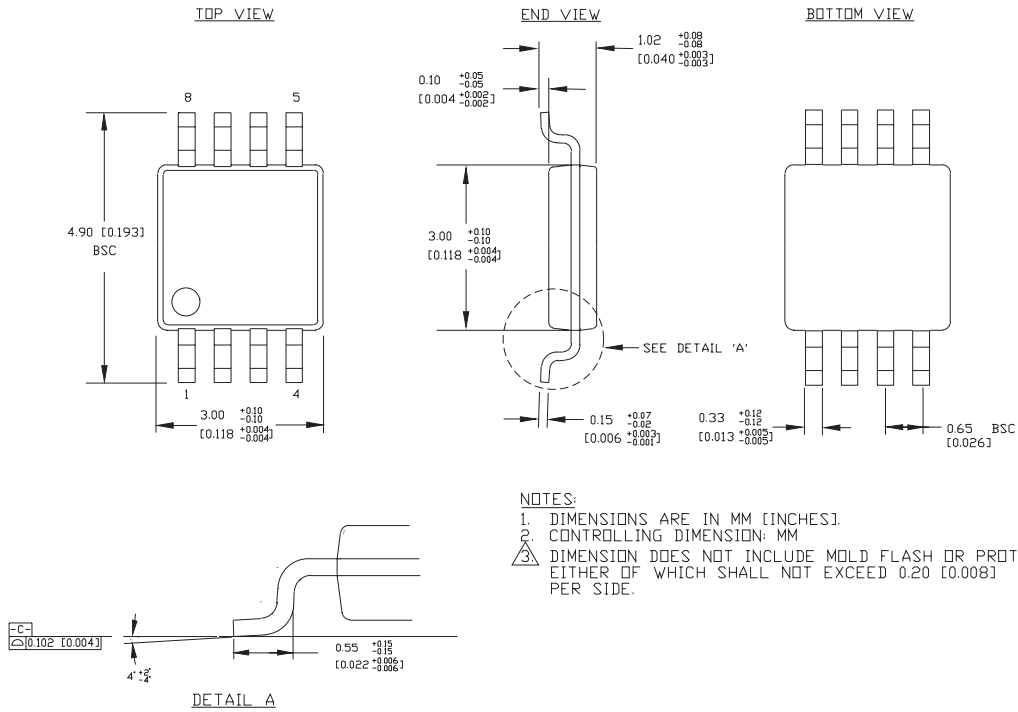
**Note 1.** Measured using 750mV source, 50% duty cycle clock source. All loading with 50Ω to  $V_{CC} - 2.0V$ .

**Note 2.**  $f_{MAX}$  guaranteed for functionality only.  $V_{OL}$  and  $V_{OH}$  levels are guaranteed at DC only.

## TIMING DIAGRAMS



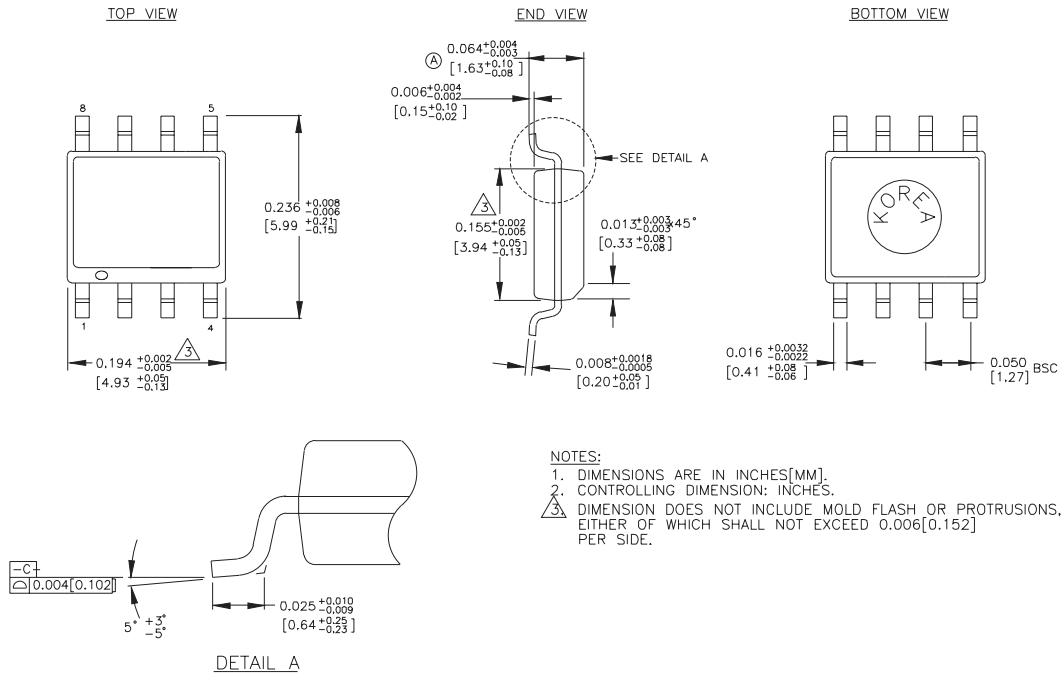
**8-PIN MSOP (K8-1)**



NOTES:  
 1. DIMENSIONS ARE IN MM [INCHES]  
 2. CONTROLLING DIMENSION: MM  
 3. DIMENSION DOES NOT INCLUDE MOLD FLASH OR PROTRUSIONS, EITHER OF WHICH SHALL NOT EXCEED 0.20 [0.008] PER SIDE.

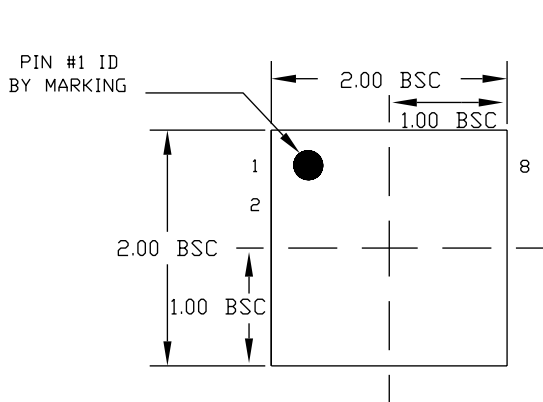
Rev. 01

**8-PIN PLASTIC SOIC (Z8-1)**

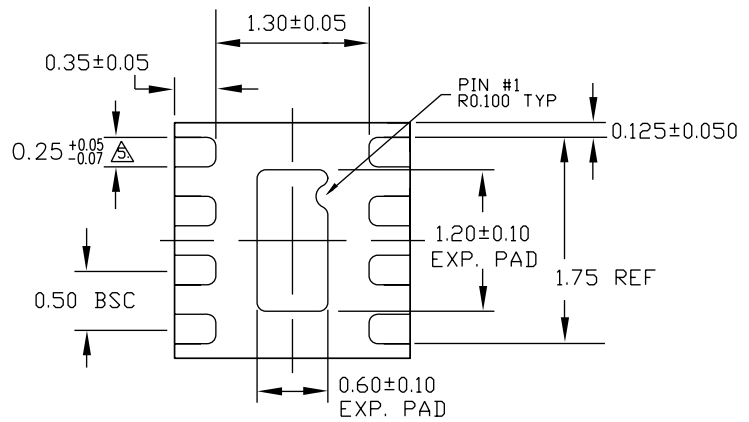


Rev. 03

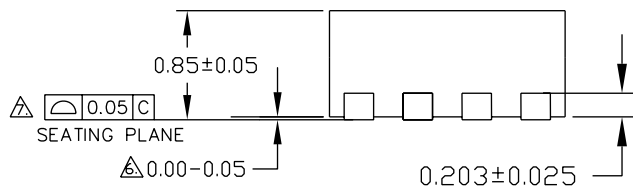
**8-PIN PLASTIC MLF® (MLF-8)**



TOP VIEW



BOTTOM VIEW



SIDE VIEW

NOTE:

1. ALL DIMENSIONS ARE IN MILLIMETERS.
  2. MAX. PACKAGE WARPAGE IS 0.05 mm.
  3. MAXIMUM ALLOWABLE BURRS IS 0.076 mm IN ALL DIRECTIONS.
  4. PIN #1 ID ON TOP WILL BE LASER/INK MARKED.
- DIMENSION APPLIES TO METALIZED TERMINAL AND IS MEASURED BETWEEN 0.20 AND 0.25 mm FROM TERMINAL TIP.  
 APPLIED ONLY FOR TERMINALS.  
 APPLIED FOR EXPOSED PAD AND TERMINALS.

**MICREL, INC. 2180 FORTUNE DRIVE SAN JOSE, CA 95131 USA**

TEL + 1 (408) 944-0800 FAX + 1 (408) 474-1000 WEB <http://www.micrel.com>

The information furnished by Micrel in this datasheet is believed to be accurate and reliable. However, no responsibility is assumed by Micrel for its use. Micrel reserves the right to change circuitry and specifications at any time without notification to the customer.

Micrel Products are not designed or authorized for use as components in life support appliances, devices or systems where malfunction of a product can reasonably be expected to result in personal injury. Life support devices or systems are devices or systems that (a) are intended for surgical implant into the body or (b) support or sustain life, and whose failure to perform can be reasonably expected to result in a significant injury to the user. A Purchaser's use or sale of Micrel Products for use in life support appliances, devices or systems is at Purchaser's own risk and Purchaser agrees to fully indemnify Micrel for any damages resulting from such use or sale.

© 2005 Micrel, Incorporated.



Компания «Life Electronics» занимается поставками электронных компонентов импортного и отечественного производства от производителей и со складов крупных дистрибьюторов Европы, Америки и Азии.

С конца 2013 года компания активно расширяет линейку поставок компонентов по направлению коаксиальный кабель, кварцевые генераторы и конденсаторы (керамические, пленочные, электролитические), за счёт заключения дистрибьюторских договоров

Мы предлагаем:

- Конкурентоспособные цены и скидки постоянным клиентам.
- Специальные условия для постоянных клиентов.
- Подбор аналогов.
- Поставку компонентов в любых объемах, удовлетворяющих вашим потребностям.
- Приемлемые сроки поставки, возможна ускоренная поставка.
- Доставку товара в любую точку России и стран СНГ.
- Комплексную поставку.
- Работу по проектам и поставку образцов.
- Формирование склада под заказчика.
- Сертификаты соответствия на поставляемую продукцию (по желанию клиента).
- Тестирование поставляемой продукции.
- Поставку компонентов, требующих военную и космическую приемку.
- Входной контроль качества.
- Наличие сертификата ISO.

В составе нашей компании организован Конструкторский отдел, призванный помогать разработчикам, и инженерам.

Конструкторский отдел помогает осуществить:

- Регистрацию проекта у производителя компонентов.
- Техническую поддержку проекта.
- Защиту от снятия компонента с производства.
- Оценку стоимости проекта по компонентам.
- Изготовление тестовой платы монтаж и пусконаладочные работы.



Тел: +7 (812) 336 43 04 (многоканальный)

Email: [org@lifeelectronics.ru](mailto:org@lifeelectronics.ru)