



# PCF8574; PCF8574A

Remote 8-bit I/O expander for I<sup>2</sup>C-bus with interrupt

Rev. 5 — 27 May 2013

Product data sheet

## 1. General description

---

The PCF8574/74A provides general-purpose remote I/O expansion via the two-wire bidirectional I<sup>2</sup>C-bus (serial clock (SCL), serial data (SDA)).

The devices consist of eight quasi-bidirectional ports, 100 kHz I<sup>2</sup>C-bus interface, three hardware address inputs and interrupt output operating between 2.5 V and 6 V. The quasi-bidirectional port can be independently assigned as an input to monitor interrupt status or keypads, or as an output to activate indicator devices such as LEDs. System master can read from the input port or write to the output port through a single register.

The low current consumption of 2.5  $\mu$ A (typical, static) is great for mobile applications and the latched output ports directly drive LEDs.

The PCF8574 and PCF8574A are identical, except for the different fixed portion of the slave address. The three hardware address pins allow eight of each device to be on the same I<sup>2</sup>C-bus, so there can be up to 16 of these I/O expanders PCF8574/74A together on the same I<sup>2</sup>C-bus, supporting up to 128 I/Os (for example, 128 LEDs).

The active LOW open-drain interrupt output ( $\overline{\text{INT}}$ ) can be connected to the interrupt logic of the microcontroller and is activated when any input state differs from its corresponding input port register state. It is used to indicate to the microcontroller that an input state has changed and the device needs to be interrogated without the microcontroller continuously polling the input register via the I<sup>2</sup>C-bus.

The internal Power-On Reset (POR) initializes the I/Os as inputs with a weak internal pull-up 100  $\mu$ A current source.

## 2. Features and benefits

---

- I<sup>2</sup>C-bus to parallel port expander
- 100 kHz I<sup>2</sup>C-bus interface (Standard-mode I<sup>2</sup>C-bus)
- Operating supply voltage 2.5 V to 6 V with non-overvoltage tolerant I/O held to  $V_{\text{DD}}$  with 100  $\mu$ A current source
- 8-bit remote I/O pins that default to inputs at power-up
- Latched outputs directly drive LEDs
- Total package sink capability of 80 mA
- Active LOW open-drain interrupt output
- Eight programmable slave addresses using three address pins
- Low standby current (2.5  $\mu$ A typical)
- $-40$  °C to  $+85$  °C operation
- ESD protection exceeds 2000 V HBM per JESD22-A114 and 1000 V CDM per JESD22-C101



- Latch-up testing is done to JEDEC standard JESD78 which exceeds 100 mA
- Packages offered: DIP16, SO16, SSOP20

### 3. Applications

- LED signs and displays
- Servers
- Key pads
- Industrial control
- Medical equipment
- PLC
- Cellular telephones
- Mobile devices
- Gaming machines
- Instrumentation and test measurement

### 4. Ordering information

Table 1. Ordering information

| Type number  | Topside mark | Package |   |          |
|--------------|--------------|---------|---|----------|
|              |              | Name    | Description   | Version  |
| PCF8574P     | PCF8574P     | DIP16   | plastic dual in-line package; 16 leads (300 mil)                  | SOT38-4  |
| PCF8574AP    | PCF8574AP    |         |   |          |
| PCF8574T/3   | PCF8574T     | SO16    | plastic small outline package; 16 leads; body width 7.5 mm        | SOT162-1 |
| PCF8574AT/3  | PCF8574AT    |         |   |          |
| PCF8574TS/3  | 8574TS       | SSOP20  | plastic shrink small outline package; 20 leads; body width 4.4 mm | SOT266-1 |
| PCF8574ATS/3 | 8574A        |         |   |          |

#### 4.1 Ordering options

Table 2. Ordering options

| Type number | Orderable part number | Package | Packing method                                  | Minimum order quantity | Temperature range                   |
|-------------|-----------------------|---------|---|------------------------|-------------------------------------|
| PCF8574P    | PCF8574P,112          | DIP16   | Standard marking<br>* IC's tube - DSC bulk pack | 1000                   | T <sub>amb</sub> = -40 °C to +85 °C |
| PCF8574AP   | PCF8574AP,112         | DIP16   | Standard marking<br>* IC's tube - DSC bulk pack | 1000                   | T <sub>amb</sub> = -40 °C to +85 °C |
| PCF8574T/3  | PCF8574T/3,512        | SO16    | Standard marking<br>* tube dry pack             | 1920                   | T <sub>amb</sub> = -40 °C to +85 °C |
|             | PCF8574T/3,518        | SO16    | Reel 13" Q1/T1<br>*standard mark SMD dry pack   | 1000                   | T <sub>amb</sub> = -40 °C to +85 °C |
| PCF8574AT/3 | PCF8574AT/3,512       | SO16    | Standard marking<br>* tube dry pack             | 1920                   | T <sub>amb</sub> = -40 °C to +85 °C |
|             | PCF8574AT/3,518       | SO16    | Reel 13" Q1/T1<br>*standard mark SMD dry pack   | 1000                   | T <sub>amb</sub> = -40 °C to +85 °C |

**Table 2. Ordering options ...continued**

| Type number  | Orderable part number | Package | Packing method                                  | Minimum order quantity | Temperature range                   |
|--------------|-----------------------|---------|---|------------------------|-------------------------------------|
| PCF8574TS/3  | PCF8574TS/3,112       | SSOP20  | Standard marking<br>* IC's tube - DSC bulk pack | 1350                   | T <sub>amb</sub> = -40 °C to +85 °C |
|              | PCF8574TS/3,118       | SSOP20  | Reel 13" Q1/T1<br>*standard mark SMD            | 2500                   | T <sub>amb</sub> = -40 °C to +85 °C |
| PCF8574ATS/3 | PCF8574ATS/3,118      | SSOP20  | Reel 13" Q1/T1<br>*standard mark SMD            | 2500                   | T <sub>amb</sub> = -40 °C to +85 °C |

## 5. Block diagram



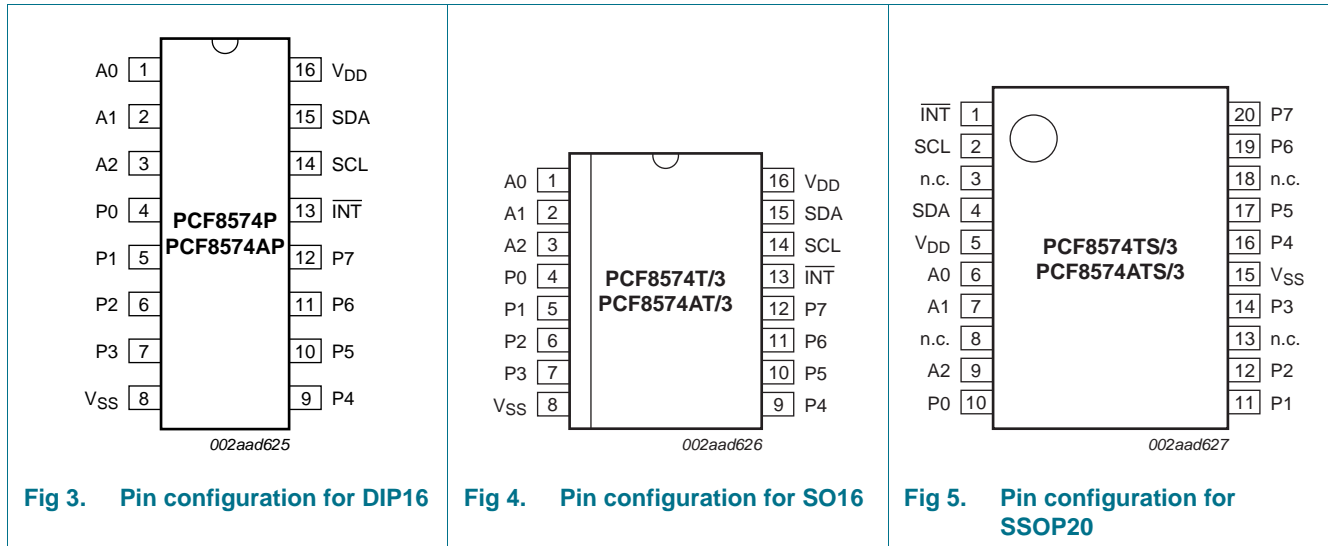
**Fig 1. Block diagram**



**Fig 2. Simplified schematic diagram of P0 to P7**

## 6. Pinning information

### 6.1 Pinning



### 6.2 Pin description

Table 3. Pin description

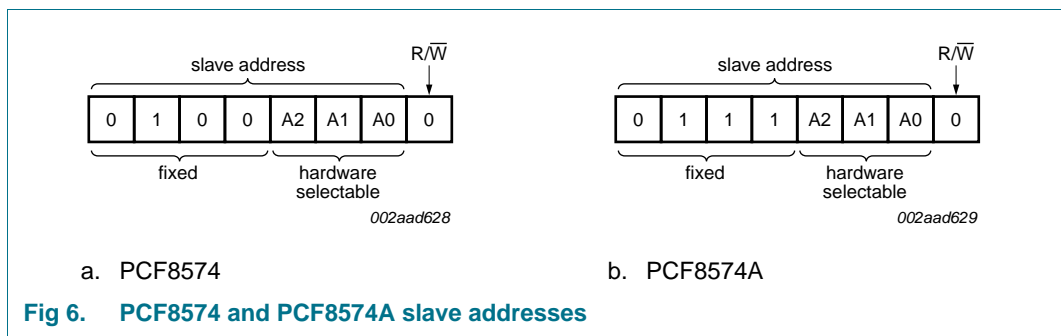
| Symbol          | Pin         |              | Description                   |
|-----------------|-------------|--------------|-------------------------------|
|                 | DIP16, SO16 | SSOP20       |                               |
| A0              | 1           | 6            | address input 0               |
| A1              | 2           | 7            | address input 1               |
| A2              | 3           | 9            | address input 2               |
| P0              | 4           | 10           | quasi-bidirectional I/O 0     |
| P1              | 5           | 11           | quasi-bidirectional I/O 1     |
| P2              | 6           | 12           | quasi-bidirectional I/O 2     |
| P3              | 7           | 14           | quasi-bidirectional I/O 3     |
| V <sub>SS</sub> | 8           | 15           | supply ground                 |
| P4              | 9           | 16           | quasi-bidirectional I/O 4     |
| P5              | 10          | 17           | quasi-bidirectional I/O 5     |
| P6              | 11          | 19           | quasi-bidirectional I/O 6     |
| P7              | 12          | 20           | quasi-bidirectional I/O 7     |
| INT             | 13          | 1            | interrupt output (active LOW) |
| SCL             | 14          | 2            | serial clock line             |
| SDA             | 15          | 4            | serial data line              |
| V <sub>DD</sub> | 16          | 5            | supply voltage                |
| n.c.            | -           | 3, 8, 13, 18 | not connected                 |

## 7. Functional description

Refer to [Figure 1 “Block diagram”](#).

### 7.1 Device address

Following a START condition, the bus master must send the address of the slave it is accessing and the operation it wants to perform (read or write). The address format of the PCF8574/74A is shown in [Figure 6](#). Slave address pins A2, A1 and A0 are held HIGH or LOW to choose one of eight slave addresses. To conserve power, no internal pull-up resistors are incorporated on A2, A1 or A0, so they must be externally held HIGH or LOW. The address pins (A2, A1, A0) can connect to V<sub>DD</sub> or V<sub>SS</sub> directly or through resistors.



The last bit of the first byte defines the operation to be performed. When set to logic 1 a read is selected, while a logic 0 selects a write operation (write operation is shown in [Figure 6](#)).

#### 7.1.1 Address maps

The PCF8574 and PCF8574A are functionally the same, but have a different fixed portion (A6 to A3) of the slave address. This allows eight of the PCF8574 and eight of the PCF8574A to be on the same I<sup>2</sup>C-bus without address conflict.

**Table 4. PCF8574 address map**

| Pin connectivity |                 |                 | Address of PCF8574 |    |    |    |    |    |    |     | Address byte value |      | 7-bit hexadecimal address without R/W |
|------------------|-----------------|-----------------|--------------------|----|----|----|----|----|----|-----|--------------------|------|---------------------------------------|
| A2               | A1              | A0              | A6                 | A5 | A4 | A3 | A2 | A1 | A0 | R/W | Write              | Read |                                       |
| V <sub>SS</sub>  | V <sub>SS</sub> | V <sub>SS</sub> | 0                  | 1  | 0  | 0  | 0  | 0  | 0  | -   | 40h                | 41h  | 20h                                   |
| V <sub>SS</sub>  | V <sub>SS</sub> | V <sub>DD</sub> | 0                  | 1  | 0  | 0  | 0  | 0  | 1  | -   | 42h                | 43h  | 21h                                   |
| V <sub>SS</sub>  | V <sub>DD</sub> | V <sub>SS</sub> | 0                  | 1  | 0  | 0  | 0  | 1  | 0  | -   | 44h                | 45h  | 22h                                   |
| V <sub>SS</sub>  | V <sub>DD</sub> | V <sub>DD</sub> | 0                  | 1  | 0  | 0  | 0  | 1  | 1  | -   | 46h                | 47h  | 23h                                   |
| V <sub>DD</sub>  | V <sub>SS</sub> | V <sub>SS</sub> | 0                  | 1  | 0  | 0  | 1  | 0  | 0  | -   | 48h                | 49h  | 24h                                   |
| V <sub>DD</sub>  | V <sub>SS</sub> | V <sub>DD</sub> | 0                  | 1  | 0  | 0  | 1  | 0  | 1  | -   | 4Ah                | 4Bh  | 25h                                   |
| V <sub>DD</sub>  | V <sub>DD</sub> | V <sub>SS</sub> | 0                  | 1  | 0  | 0  | 1  | 1  | 0  | -   | 4Ch                | 4Dh  | 26h                                   |
| V <sub>DD</sub>  | V <sub>DD</sub> | V <sub>DD</sub> | 0                  | 1  | 0  | 0  | 1  | 1  | 1  | -   | 4Eh                | 4Fh  | 27h                                   |

Table 5. PCF8574A address map

| Pin connectivity |                 |                 | Address of PCF8574A |    |    |    |    |    |    |     | Address byte value |      | 7-bit hexadecimal address without R/W |
|------------------|-----------------|-----------------|---------------------|----|----|----|----|----|----|-----|--------------------|------|---------------------------------------|
| A2               | A1              | A0              | A6                  | A5 | A4 | A3 | A2 | A1 | A0 | R/W | Write              | Read |                                       |
| V <sub>SS</sub>  | V <sub>SS</sub> | V <sub>SS</sub> | 0                   | 1  | 1  | 1  | 0  | 0  | 0  | -   | 70h                | 71h  | 38h                                   |
| V <sub>SS</sub>  | V <sub>SS</sub> | V <sub>DD</sub> | 0                   | 1  | 1  | 1  | 0  | 0  | 1  | -   | 72h                | 73h  | 39h                                   |
| V <sub>SS</sub>  | V <sub>DD</sub> | V <sub>SS</sub> | 0                   | 1  | 1  | 1  | 0  | 1  | 0  | -   | 74h                | 75h  | 3Ah                                   |
| V <sub>SS</sub>  | V <sub>DD</sub> | V <sub>DD</sub> | 0                   | 1  | 1  | 1  | 0  | 1  | 1  | -   | 76h                | 77h  | 3Bh                                   |
| V <sub>DD</sub>  | V <sub>SS</sub> | V <sub>SS</sub> | 0                   | 1  | 1  | 1  | 1  | 0  | 0  | -   | 78h                | 79h  | 3Ch                                   |
| V <sub>DD</sub>  | V <sub>SS</sub> | V <sub>DD</sub> | 0                   | 1  | 1  | 1  | 1  | 0  | 1  | -   | 7Ah                | 7Bh  | 3Dh                                   |
| V <sub>DD</sub>  | V <sub>DD</sub> | V <sub>SS</sub> | 0                   | 1  | 1  | 1  | 1  | 1  | 0  | -   | 7Ch                | 7Dh  | 3Eh                                   |
| V <sub>DD</sub>  | V <sub>DD</sub> | V <sub>DD</sub> | 0                   | 1  | 1  | 1  | 1  | 1  | 1  | -   | 7Eh                | 7Fh  | 3Fh                                   |

## 8. I/O programming

### 8.1 Quasi-bidirectional I/Os

A quasi-bidirectional I/O is an input or output port without using a direction control register. Whenever the master reads the register, the value returned to master depends on the actual voltage or status of the pin. At power on, all the ports are HIGH with a weak 100  $\mu$ A internal pull-up to V<sub>DD</sub>, but can be driven LOW by an internal transistor, or an external signal. The I/O ports are entirely independent of each other, but each I/O octal is controlled by the same read or write data byte.

Advantages of the quasi-bidirectional I/O over totem pole I/O include:

- Better for driving LEDs since the p-channel (transistor to V<sub>DD</sub>) is small, which saves die size and therefore cost. LED drive only requires an internal transistor to ground, while the LED is connected to V<sub>DD</sub> through a current-limiting resistor. Totem pole I/O have both n-channel and p-channel transistors, which allow solid HIGH and LOW output levels without a pull-up resistor — good for logic levels.
- Simpler architecture — only a single register and the I/O can be both input and output at the same time. Totem pole I/O have a direction register that specifies the port pin direction and it is always in that configuration unless the direction is explicitly changed.
- Does not require a command byte. The simplicity of one register (no need for the pointer register or, technically, the command byte) is an advantage in some embedded systems where every byte counts because of memory or bandwidth limitations.

There is only one register to control four possibilities of the port pin: Input HIGH, input LOW, output HIGH, or output LOW.

**Input HIGH:** The master needs to write 1 to the register to set the port as an input mode if the device is not in the default power-on condition. The master reads the register to check the input status. If the external source pulls the port pin up to  $V_{DD}$  or drives logic 1, then the master will read the value of 1.

**Input LOW:** The master needs to write 1 to the register to set the port to input mode if the device is not in the default power-on condition. The master reads the register to check the input status. If the external source pulls the port pin down to  $V_{SS}$  or drives logic 0, which sinks the weak 100  $\mu A$  current source, then the master will read the value of 0.

**Output HIGH:** The master writes 1 to the register. There is an additional ‘accelerator’ or strong pull-up current when the master sets the port HIGH. The additional strong pull-up is only active during the HIGH time of the acknowledge clock cycle. This accelerator current helps the port’s 100  $\mu A$  current source make a faster rising edge into a heavily loaded output, but only at the start of the acknowledge clock cycle to avoid bus contention if an external signal is pulling the port LOW to  $V_{SS}$ /driving the port with logic 0 at the same time. After the half clock cycle there is only the 100  $\mu A$  current source to hold the port HIGH.

**Output LOW:** The master writes 0 to the register. There is a strong current sink transistor that holds the port pin LOW. A large current may flow into the port, which could potentially damage the part if the master writes a 0 to the register and an external source is pulling the port HIGH at the same time.



Fig 7. Simple quasi-bidirectional I/O

8.2 Writing to the port (Output mode)

The master (microcontroller) sends the START condition and slave address setting the last bit of the address byte to logic 0 for the write mode. The PCF8574/74A acknowledges and the master then sends the data byte for P7 to P0 to the port register. As the clock line goes HIGH, the 8-bit data is presented on the port lines after it has been acknowledged by the PCF8574/74A. If a LOW is written, the strong pull-down turns on and stays on. If a HIGH is written, the strong pull-up turns on for 1/2 of the clock cycle, then the line is held HIGH by the weak current source. The master can then send a STOP or ReSTART condition or continue sending data. The number of data bytes that can be sent successively is not limited and the previous data is overwritten every time a data byte has been sent and acknowledged.

Ensure a logic 1 is written for any port that is being used as an input to ensure the strong external pull-down is turned off.

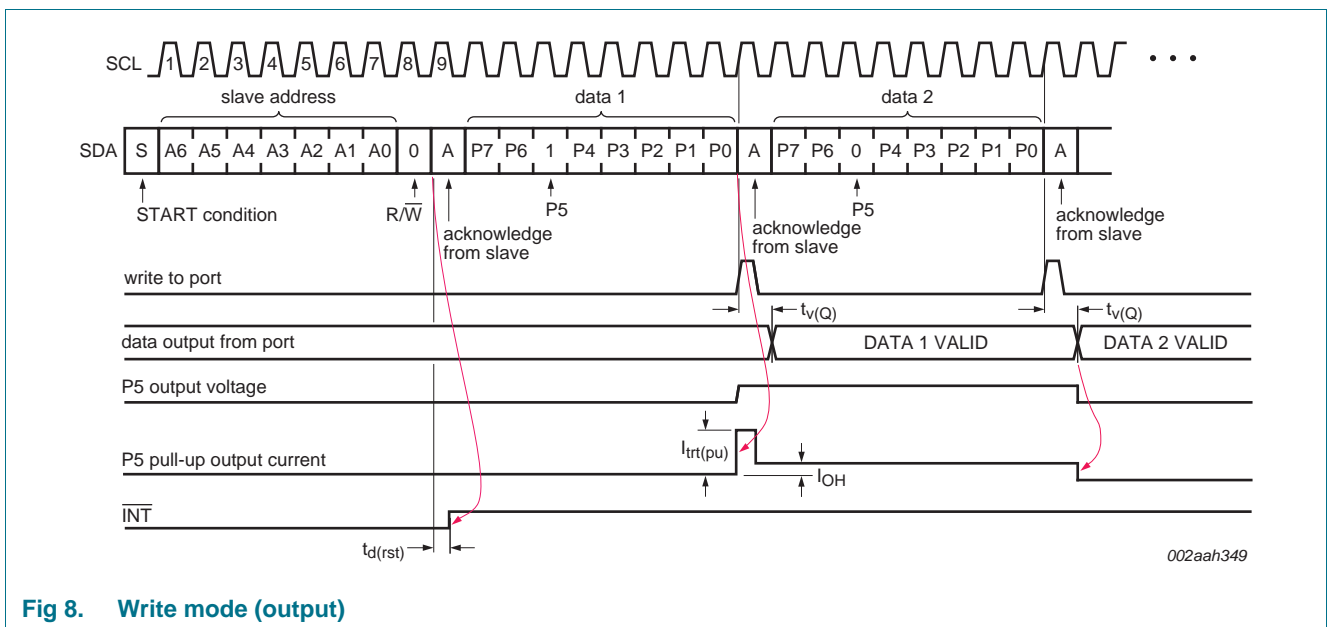


Fig 8. Write mode (output)

Simple code WRITE mode:

<S> <slave address + write> <ACK> <data out> <ACK> <data out> <ACK> ...  
 <data out> <ACK> <P>

Remark: Bold type = generated by slave device.



### 8.3 Reading from a port (Input mode)

The port must have been previously written to logic 1, which is the condition after power-on reset. To enter the Read mode the master (microcontroller) addresses the slave device and sets the last bit of the address byte to logic 1 (address byte read). The slave will acknowledge and then send the data byte to the master. The master will NACK and then send the STOP condition or ACK and read the input register again.

The read of any pin being used as an output will indicate HIGH or LOW depending on the actual state of the pin.

If the data on the input port changes faster than the master can read, this data may be lost. The DATA 2 and DATA3 are lost because these data did not meet the setup time and hold time (see Figure 9).

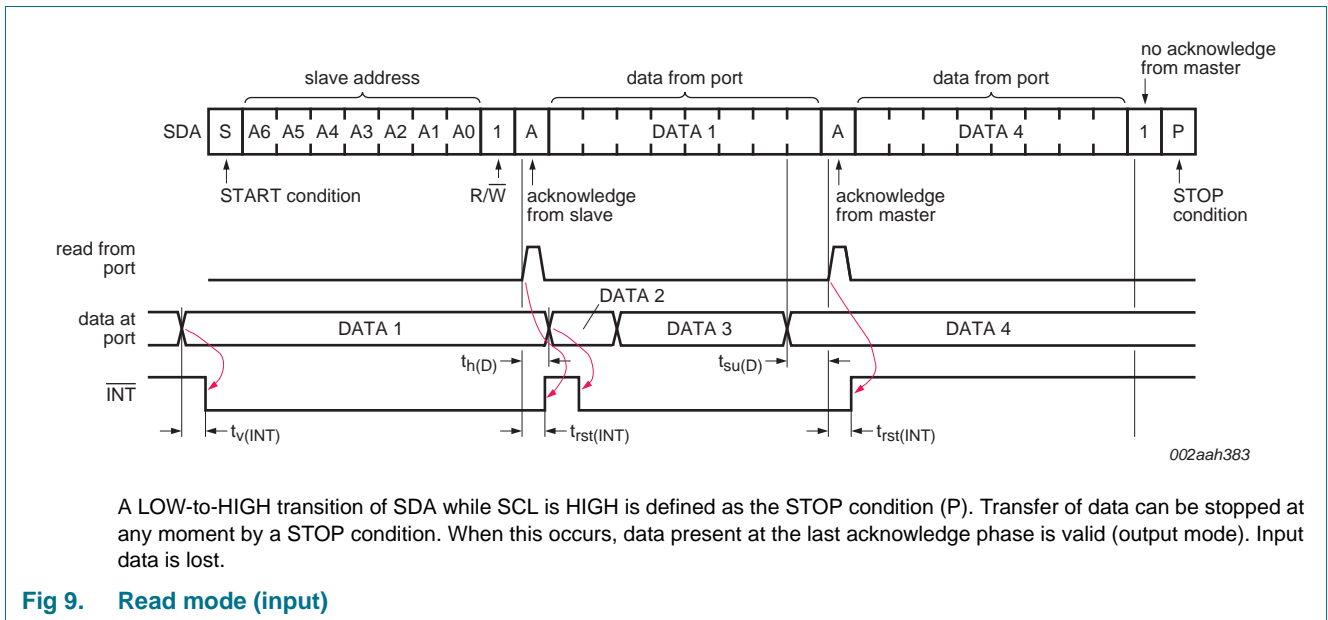


Fig 9. Read mode (input)

Simple code for Read mode:

```
<S> <slave address + read> <ACK> <data in> <ACK> ... <data in> <ACK> <data in>
<NACK> <P>
```

**Remark:** Bold type = generated by slave device.

### 8.4 Power-on reset

When power is applied to V<sub>DD</sub>, an internal Power-On Reset (POR) holds the PCF8574/74A in a reset condition until V<sub>DD</sub> has reached V<sub>POR</sub>. At that point, the reset condition is released and the PCF8574/74A registers and I<sup>2</sup>C-bus/SMBus state machine will initialize to their default states of all I/Os to inputs with weak current source to V<sub>DD</sub>. Thereafter V<sub>DD</sub> must be lowered below V<sub>POR</sub> and back up to the operation voltage for power-on reset cycle.

**8.5 Interrupt output ( $\overline{\text{INT}}$ )**

The PCF8574/74A provides an open-drain output ( $\overline{\text{INT}}$ ) which can be fed to a corresponding input of the microcontroller (see [Figure 10](#)). As soon as a port input is changed, the  $\overline{\text{INT}}$  will be active (LOW) and notify the microcontroller.

An interrupt is generated at any rising or falling edge of the port inputs. After time  $t_{v(Q)}$ , the signal  $\overline{\text{INT}}$  is valid.

The interrupt will reset to HIGH when data on the port is changed to the original setting or data is read or written by the master.

In the Write mode, the interrupt may be reset (HIGH) on the rising edge of the acknowledge bit of the address byte and also on the rising edge of the write to port pulse. The interrupt will always be reset (HIGH) on the falling edge of the write to port pulse (see [Figure 8](#)).

The interrupt is reset (HIGH) in the Read mode on the rising edge of the read from port pulse (see [Figure 9](#)).

During the interrupt reset, any I/O change close to the read or write pulse may not generate an interrupt, or the interrupt will have a very short pulse. After the interrupt is reset, any change in I/Os will be detected and transmitted as an  $\overline{\text{INT}}$ .

At power-on reset all ports are in Input mode and the initial state of the ports is HIGH, therefore, for any port pin that is pulled LOW or driven LOW by external source, the interrupt output will be active (output LOW).



**Fig 10. Application of multiple PCF8574/74As with interrupt**

## 9. Characteristics of the I<sup>2</sup>C-bus

The I<sup>2</sup>C-bus is for 2-way, 2-wire communication between different ICs or modules. The two wires are a serial data line (SDA) and a serial clock line (SCL). Both lines must be connected to a positive supply via a pull-up resistor when connected to the output stages of a device. Data transfer may be initiated only when the bus is not busy.

### 9.1 Bit transfer

One data bit is transferred during each clock pulse. The data on the SDA line must remain stable during the HIGH period of the clock pulse as changes in the data line at this time will be interpreted as control signals (see [Figure 11](#)).



Fig 11. Bit transfer

#### 9.1.1 START and STOP conditions

Both data and clock lines remain HIGH when the bus is not busy. A HIGH-to-LOW transition of the data line while the clock is HIGH is defined as the START condition (S). A LOW-to-HIGH transition of the data line while the clock is HIGH is defined as the STOP condition (P) (see [Figure 12](#)).



Fig 12. Definition of START and STOP conditions

### 9.2 System configuration

A device generating a message is a 'transmitter'; a device receiving is the 'receiver'. The device that controls the message is the 'master' and the devices which are controlled by the master are the 'slaves' (see [Figure 13](#)).



Fig 13. System configuration

### 9.3 Acknowledge

The number of data bytes transferred between the START and the STOP conditions from transmitter to receiver is not limited. Each byte of eight bits is followed by one acknowledge bit (see Figure 14). The acknowledge bit is an active LOW level (generated by the receiving device) that indicates to the transmitter that the data transfer was successful.

A slave receiver which is addressed must generate an acknowledge after the reception of each byte. Also a master must generate an acknowledge after the reception of each byte that has been clocked out of the slave transmitter. The device that wants to issue an acknowledge bit has to pull down the SDA line during the acknowledge clock pulse, so that the SDA line is stable LOW during the HIGH period of the acknowledge bit related clock pulse; set-up and hold times must be taken into account.

A master receiver must signal an end of data to the transmitter by **not** generating an acknowledge on the last byte that has been clocked out of the slave. In this event, the transmitter must leave the data line HIGH to enable the master to generate a STOP condition.



Fig 14. Acknowledgement on the I<sup>2</sup>C-bus

## 10. Application design-in information

### 10.1 Bidirectional I/O expander applications

In the 8-bit I/O expander application shown in [Figure 15](#), P0 and P1 are inputs, and P2 to P7 are outputs. When used in this configuration, during a write, **the input (P0 and P1) must be written as HIGH so the external devices fully control the input ports.** The desired HIGH or LOW logic levels may be written to the ports used as outputs (P2 to P7). If 10 µA internal output HIGH is not enough current source, the port needs external pull-up resistor. During a read, the logic levels of the external devices driving the input ports (P0 and P1) and the previous written logic level to the output ports (P2 to P7) will be read.

The GPIO also has an interrupt line ( $\overline{\text{INT}}$ ) that can be connected to the interrupt logic of the microcontroller. By sending an interrupt signal on this line, the remote I/O informs the microprocessor that there has been a change of data on its ports without having to communicate via the I<sup>2</sup>C-bus.

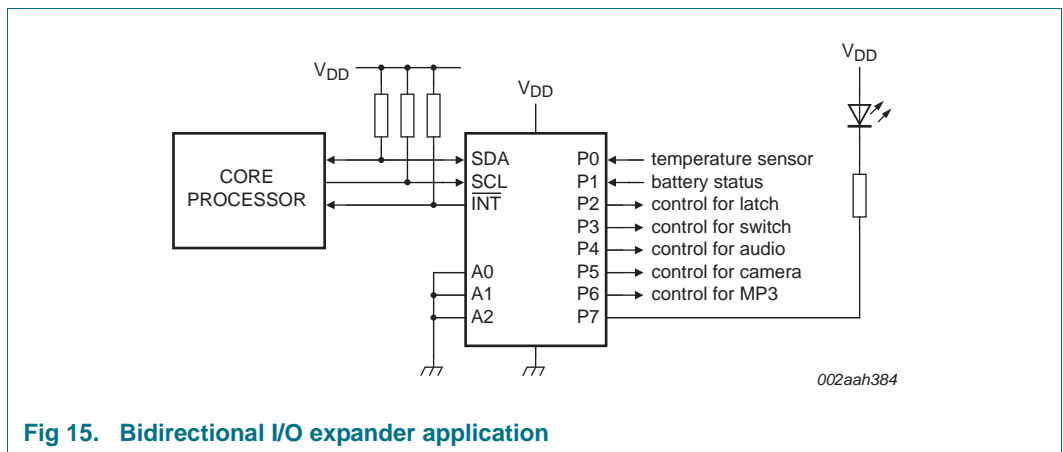


Fig 15. Bidirectional I/O expander application

### 10.2 How to read and write to I/O expander (example)

In the application example of PCF8574 shown in [Figure 15](#), the microcontroller wants to control the P3 switch ON and the P7 LED ON when the temperature sensor P0 changes.

1. When the system power on:

Core Processor needs to issue an initial command to set P0 and P1 as inputs and P[7:2] as outputs with value 1010 00 (LED off, MP3 off, camera on, audio off, switch off and latch off).

2. Operation:

When the temperature changes above the threshold, the temperature sensor signal will toggle from HIGH to LOW. The  $\overline{\text{INT}}$  will be activated and notifies the 'core processor' that there have been changes on the input pins. Read the input register. If P0 = 0 (temperature sensor has changed), then turn on LED and turn on switch.

3. Software code:

```
//System Power on
// write to PCF8574 with data 1010 0011b to set P[7:2] outputs and P[1:0] inputs
<S> <0100 0000> <ACK> <1010 0011> <ACK> <P> //Initial setting for PCF9574
```

```

while (INT == 1); //Monitor the interrupt pin. If INT = 1 do nothing
//When INT = 0 then read input ports
<S> <slave address read> <ACK> <1010 0010> <NACK> <P> //Read PCF8574 data
If (P0 == 0) //Temperature sensor activated
{
    // write to PCF8574 with data 0010 1011b to turn on LED (P7), on Switch (P3)
    and keep P[1:0] as input ports.
    <S> <0100 0000> <ACK> <0010 1011> <ACK> <P> // Write to PCF8574
}
    
```

### 10.3 High current-drive load applications

The GPIO has a minimum guaranteed sinking current of 10 mA per bit at 5 V. In applications requiring additional drive, two port pins may be connected together to sink up to 20 mA current. Both bits must then always be turned on or off together. Up to five pins can be connected together to drive 80 mA, which is the device recommended total limit. Each pin needs its own limiting resistor as shown in [Figure 16](#) to prevent damage to the device should all ports not be turned on at the same time.

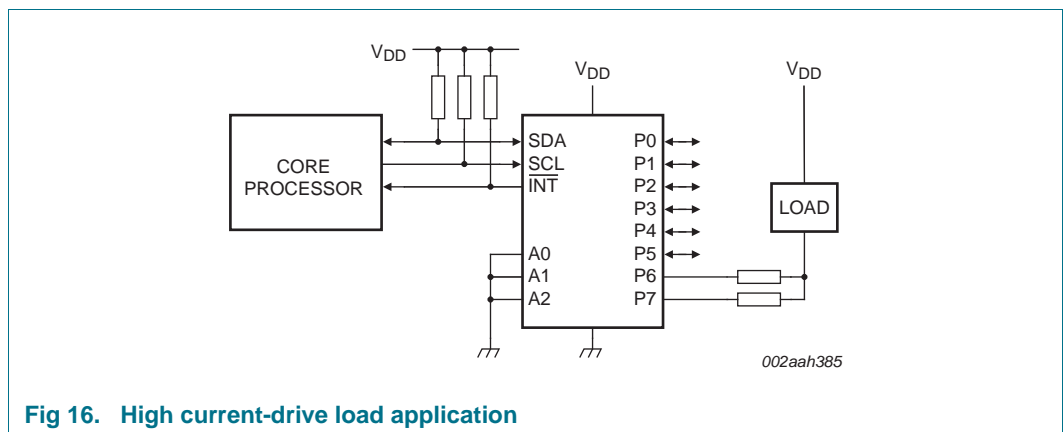


Fig 16. High current-drive load application

### 10.4 Migration path

NXP offers newer, more capable drop-in replacements for the PCF8574/74A in newer space-saving packages.

Table 6. Migration path

| Type number | I <sup>2</sup> C-bus frequency | Voltage range  | Number of addresses per device | Interrupt | Reset | Total package sink current |
|-------------|--------------------------------|----------------|--------------------------------|-----------|-------|----------------------------|
| PCF8574/74A | 100 kHz                        | 2.5 V to 6 V   | 8                              | yes       | no    | 80 mA                      |
| PCA8574/74A | 400 kHz                        | 2.3 V to 5.5 V | 8                              | yes       | no    | 200 mA                     |
| PCA9674/74A | 1 MHz Fm+                      | 2.3 V to 5.5 V | 64                             | yes       | no    | 200 mA                     |
| PCA9670     | 1 MHz Fm+                      | 2.3 V to 5.5 V | 64                             | no        | yes   | 200 mA                     |
| PCA9672     | 1 MHz Fm+                      | 2.3 V to 5.5 V | 16                             | yes       | yes   | 200 mA                     |

PCA9670 replaces the interrupt output of the PCA9674 with hardware reset input to retain the maximum number of addresses and the PCA9672 replaces address A2 of the PCA9674 with hardware reset input to retain the interrupt but limit the number of addresses.

## 11. Limiting values

**Table 7. Limiting values**

*In accordance with the Absolute Maximum Rating System (IEC 60134).*

| Symbol              | Parameter                    | Conditions | Min                   | Max                   | Unit |
|---------------------|------------------------------|------------|-----------------------|-----------------------|------|
| V <sub>DD</sub>     | supply voltage               |            | -0.5                  | +7                    | V    |
| I <sub>DD</sub>     | supply current               |            | -                     | ±100                  | mA   |
| I <sub>SS</sub>     | ground supply current        |            | -                     | ±100                  | mA   |
| V <sub>I</sub>      | input voltage                |            | V <sub>SS</sub> - 0.5 | V <sub>DD</sub> + 0.5 | V    |
| I <sub>I</sub>      | input current                |            | -                     | ±20                   | mA   |
| I <sub>O</sub>      | output current               |            | -                     | ±25                   | mA   |
| P <sub>tot</sub>    | total power dissipation      |            | -                     | 400                   | mW   |
| P/out               | power dissipation per output |            | -                     | 100                   | mW   |
| T <sub>j(max)</sub> | maximum junction temperature |            | -                     | 125                   | °C   |
| T <sub>stg</sub>    | storage temperature          |            | -65                   | +150                  | °C   |
| T <sub>amb</sub>    | ambient temperature          | operating  | -40                   | +85                   | °C   |

## 12. Thermal characteristics

**Table 8. Thermal characteristics**

| Symbol               | Parameter                                   | Conditions     | Typ | Unit |
|----------------------|---|----------------|-----|------|
| R <sub>th(j-a)</sub> | thermal resistance from junction to ambient | SO16 package   | 115 | °C/W |
|                      |   | SSOP20 package | 136 | °C/W |

### 13. Static characteristics

**Table 9. Static characteristics**

$V_{DD} = 2.5\text{ V to }6\text{ V}$ ;  $V_{SS} = 0\text{ V}$ ;  $T_{amb} = -40\text{ °C to }+85\text{ °C}$ ; unless otherwise specified.

| Symbol                              | Parameter  | Conditions   | Min          | Typ | Max            | Unit          |
|-------------------------------------|--|--|--------------|-----|----------------|---------------|
| <b>Supply</b>                       |  |  |              |     |                |               |
| $V_{DD}$                            | supply voltage   |  | 2.5          | -   | 6.0            | V             |
| $I_{DD}$                            | supply current   | operating mode; $V_{DD} = 6\text{ V}$ ; no load; $V_I = V_{DD}$ or $V_{SS}$ ; $f_{SCL} = 100\text{ kHz}$ | -            | 40  | 100            | $\mu\text{A}$ |
| $I_{stb}$                           | standby current  | standby mode; $V_{DD} = 6\text{ V}$ ; no load; $V_I = V_{DD}$ or $V_{SS}$                                | -            | 2.5 | 10             | $\mu\text{A}$ |
| $V_{POR}$                           | power-on reset voltage                                 | $V_{DD} = 6\text{ V}$ ; no load; $V_I = V_{DD}$ or $V_{SS}$  | [1] -        | 1.3 | 2.4            | V             |
| <b>Input SCL; input/output SDA</b>  |  |  |              |     |                |               |
| $V_{IL}$                            | LOW-level input voltage                                |  | -0.5         | -   | +0.3 $V_{DD}$  | V             |
| $V_{IH}$                            | HIGH-level input voltage                               |  | 0.7 $V_{DD}$ | -   | $V_{DD} + 0.5$ | V             |
| $I_{OL}$                            | LOW-level output current                               | $V_{OL} = 0.4\text{ V}$  | 3            | -   | -              | mA            |
| $I_L$                               | leakage current  | $V_I = V_{DD}$ or $V_{SS}$   | -1           | -   | +1             | $\mu\text{A}$ |
| $C_i$                               | input capacitance                                      | $V_I = V_{SS}$   | -            | -   | 7              | pF            |
| <b>I/Os; P0 to P7</b>               |  |  |              |     |                |               |
| $V_{IL}$                            | LOW-level input voltage                                |  | -0.5         | -   | +0.3 $V_{DD}$  | V             |
| $V_{IH}$                            | HIGH-level input voltage                               |  | 0.7 $V_{DD}$ | -   | $V_{DD} + 0.5$ | V             |
| $I_{IHL(max)}$                      | maximum allowed input current through protection diode | $V_I \geq V_{DD}$ or $V_I \leq V_{SS}$   | -            | -   | $\pm 400$      | $\mu\text{A}$ |
| $I_{OL}$                            | LOW-level output current                               | $V_{OL} = 1\text{ V}$ ; $V_{DD} = 5\text{ V}$  | 10           | 25  | -              | mA            |
| $I_{OH}$                            | HIGH-level output current                              | $V_{OH} = V_{SS}$  | 30           | -   | 300            | $\mu\text{A}$ |
| $I_{trt(pu)}$                       | transient boosted pull-up current                      | HIGH during acknowledge (see Figure 8); $V_{OH} = V_{SS}$ ; $V_{DD} = 2.5\text{ V}$                      | -            | -1  | -              | mA            |
| $C_i$                               | input capacitance                                      |  | -            | -   | 10             | pF            |
| $C_o$                               | output capacitance                                     |  | -            | -   | 10             | pF            |
| <b>Interrupt INT (see Figure 8)</b> |  |  |              |     |                |               |
| $I_{OL}$                            | LOW-level output current                               | $V_{OL} = 0.4\text{ V}$  | 1.6          | -   | -              | mA            |
| $I_L$                               | leakage current  | $V_I = V_{DD}$ or $V_{SS}$   | -1           | -   | +1             | $\mu\text{A}$ |
| <b>Select inputs A0, A1, A2</b>     |  |  |              |     |                |               |
| $V_{IL}$                            | LOW-level input voltage                                |  | -0.5         | -   | +0.3 $V_{DD}$  | V             |
| $V_{IH}$                            | HIGH-level input voltage                               |  | 0.7 $V_{DD}$ | -   | $V_{DD} + 0.5$ | V             |
| $I_{LI}$                            | input leakage current                                  | pin at $V_{DD}$ or $V_{SS}$  | -250         | -   | +250           | nA            |

[1] The power-on reset circuit resets the I<sup>2</sup>C-bus logic at  $V_{DD} < V_{POR}$  and sets all I/Os to logic 1 (with current source to  $V_{DD}$ ).



## 14. Dynamic characteristics

**Table 10. Dynamic characteristics**

$V_{DD} = 2.5\text{ V to }6\text{ V}$ ;  $V_{SS} = 0\text{ V}$ ;  $T_{amb} = -40\text{ °C to }+85\text{ °C}$ ; unless otherwise specified.

| Symbol  | Parameter  | Conditions   | Min | Typ | Max | Unit |
|---|--|--|-----|-----|-----|------|
| <b>I<sup>2</sup>C-bus timing</b> (see <a href="#">Figure 17</a> )               |  |  |     |     |     |      |
| f <sub>SCL</sub>  | SCL clock frequency                              |  | -   | -   | 100 | kHz  |
| t <sub>BUF</sub>  | bus free time between a STOP and START condition |  | 4.7 | -   | -   | μs   |
| t <sub>HD,STA</sub>   | hold time (repeated) START condition             |  | 4   | -   | -   | μs   |
| t <sub>SU,STA</sub>   | set-up time for a repeated START condition       |  | 4.7 | -   | -   | μs   |
| t <sub>SU,STO</sub>   | set-up time for STOP condition                   |  | 4   | -   | -   | μs   |
| t <sub>HD,DAT</sub>   | data hold time                                   |  | 0   | -   | -   | ns   |
| t <sub>VD,DAT</sub>   | data valid time                                  |  | -   | -   | 3.4 | μs   |
| t <sub>SU,DAT</sub>   | data set-up time                                 |  | 250 | -   | -   | ns   |
| t <sub>LOW</sub>  | LOW period of the SCL clock                      |  | 4.7 | -   | -   | μs   |
| t <sub>HIGH</sub>   | HIGH period of the SCL clock                     |  | 4   | -   | -   | μs   |
| t <sub>r</sub>  | rise time of both SDA and SCL signals            |  | -   | -   | 1   | μs   |
| t <sub>f</sub>  | fall time of both SDA and SCL signals            |  | -   | -   | 0.3 | μs   |
| <b>Port timing</b> (see <a href="#">Figure 8</a> and <a href="#">Figure 9</a> ) |  |  |     |     |     |      |
| t <sub>v(Q)</sub>   | data output valid time                           | $C_L \leq 100\text{ pF}$   | -   | -   | 4   | μs   |
| t <sub>su(D)</sub>  | data input set-up time                           | $C_L \leq 100\text{ pF}$   | 0   | -   | -   | μs   |
| t <sub>h(D)</sub>   | data input hold time                             | $C_L \leq 100\text{ pF}$   | 4   | -   | -   | μs   |
| <b>Interrupt INT timing</b> (see <a href="#">Figure 9</a> )                     |  |  |     |     |     |      |
| t <sub>v(INT)</sub>   | valid time on pin $\overline{\text{INT}}$        | from port to $\overline{\text{INT}}$ ;<br>$C_L \leq 100\text{ pF}$ | -   | -   | 4   | μs   |
| t <sub>rst(INT)</sub>   | reset time on pin $\overline{\text{INT}}$        | from SCL to $\overline{\text{INT}}$ ;<br>$C_L \leq 100\text{ pF}$  | -   | -   | 4   | μs   |

[1] All the timing values are valid within the operating supply voltage and ambient temperature range and refer to  $V_{IL}$  and  $V_{IH}$  with an input voltage swing of  $V_{SS}$  to  $V_{DD}$ .



15. Package outline

DIP16: plastic dual in-line package; 16 leads (300 mil)

SOT38-4



Fig 18. Package outline SOT38-4 (DIP16)

SO16: plastic small outline package; 16 leads; body width 7.5 mm

SOT162-1

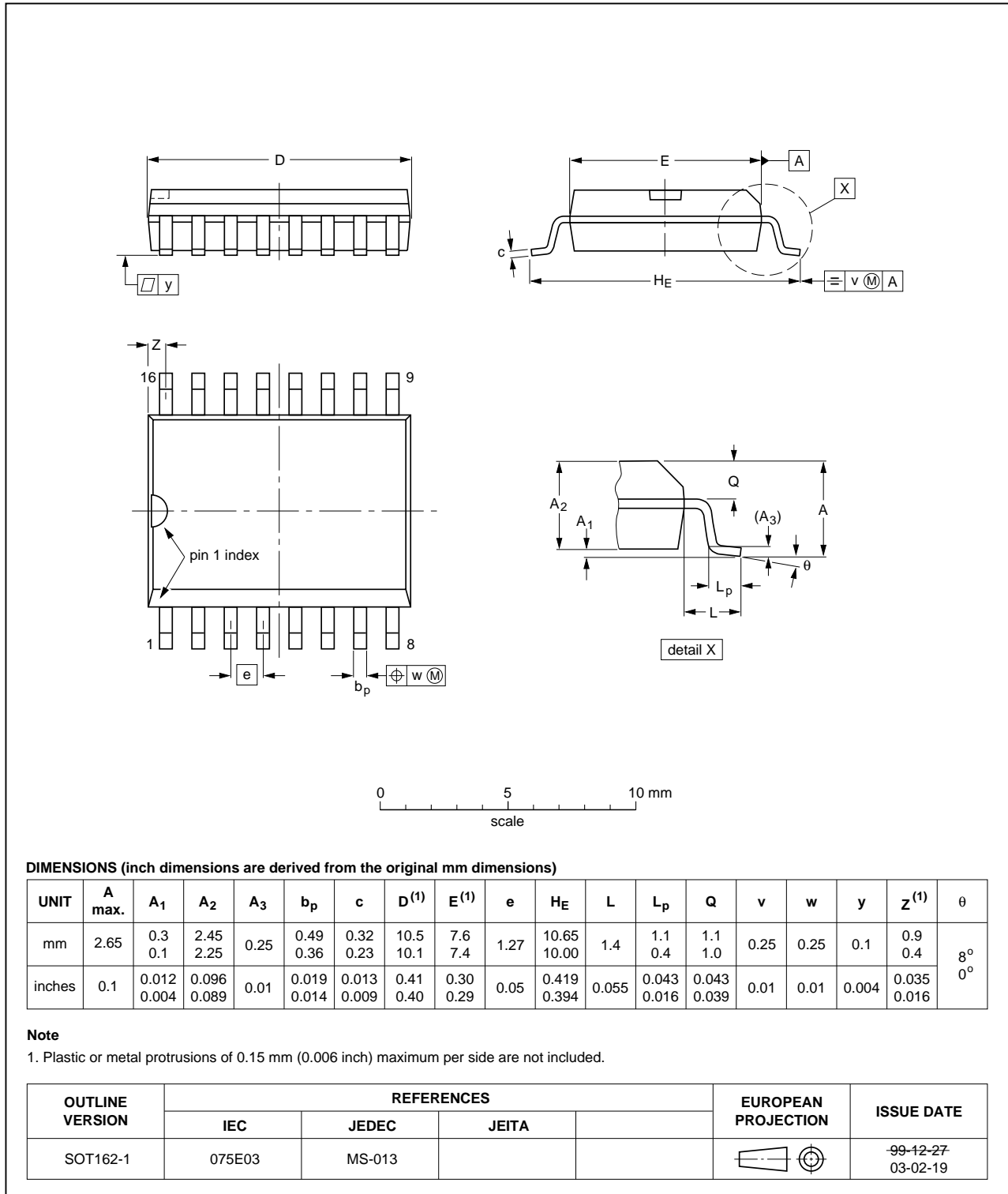


Fig 19. Package outline SOT162-1 (SO16)

SSOP20: plastic shrink small outline package; 20 leads; body width 4.4 mm

SOT266-1



Fig 20. Package outline SOT266-1 (SSOP20)

## 16. Handling information

All input and output pins are protected against ElectroStatic Discharge (ESD) under normal handling. When handling ensure that the appropriate precautions are taken as described in *JESD625-A* or equivalent standards.

## 17. Soldering of SMD packages

This text provides a very brief insight into a complex technology. A more in-depth account of soldering ICs can be found in Application Note *AN10365 "Surface mount reflow soldering description"*.

### 17.1 Introduction to soldering

Soldering is one of the most common methods through which packages are attached to Printed Circuit Boards (PCBs), to form electrical circuits. The soldered joint provides both the mechanical and the electrical connection. There is no single soldering method that is ideal for all IC packages. Wave soldering is often preferred when through-hole and Surface Mount Devices (SMDs) are mixed on one printed wiring board; however, it is not suitable for fine pitch SMDs. Reflow soldering is ideal for the small pitches and high densities that come with increased miniaturization.

### 17.2 Wave and reflow soldering

Wave soldering is a joining technology in which the joints are made by solder coming from a standing wave of liquid solder. The wave soldering process is suitable for the following:

- Through-hole components
- Leaded or leadless SMDs, which are glued to the surface of the printed circuit board

Not all SMDs can be wave soldered. Packages with solder balls, and some leadless packages which have solder lands underneath the body, cannot be wave soldered. Also, leaded SMDs with leads having a pitch smaller than ~0.6 mm cannot be wave soldered, due to an increased probability of bridging.

The reflow soldering process involves applying solder paste to a board, followed by component placement and exposure to a temperature profile. Leaded packages, packages with solder balls, and leadless packages are all reflow solderable.

Key characteristics in both wave and reflow soldering are:

- Board specifications, including the board finish, solder masks and vias
- Package footprints, including solder thieves and orientation
- The moisture sensitivity level of the packages
- Package placement
- Inspection and repair
- Lead-free soldering versus SnPb soldering

### 17.3 Wave soldering

Key characteristics in wave soldering are:

- Process issues, such as application of adhesive and flux, clinching of leads, board transport, the solder wave parameters, and the time during which components are exposed to the wave
- Solder bath specifications, including temperature and impurities

## 17.4 Reflow soldering

Key characteristics in reflow soldering are:

- Lead-free versus SnPb soldering; note that a lead-free reflow process usually leads to higher minimum peak temperatures (see [Figure 21](#)) than a SnPb process, thus reducing the process window
- Solder paste printing issues including smearing, release, and adjusting the process window for a mix of large and small components on one board
- Reflow temperature profile; this profile includes preheat, reflow (in which the board is heated to the peak temperature) and cooling down. It is imperative that the peak temperature is high enough for the solder to make reliable solder joints (a solder paste characteristic). In addition, the peak temperature must be low enough that the packages and/or boards are not damaged. The peak temperature of the package depends on package thickness and volume and is classified in accordance with [Table 11](#) and [12](#)

**Table 11. SnPb eutectic process (from J-STD-020D)**

| Package thickness (mm) | Package reflow temperature (°C) |       |
|------------------------|---------------------------------|-------|
|                        | Volume (mm <sup>3</sup> )       |       |
|                        | < 350                           | ≥ 350 |
| < 2.5                  | 235                             | 220   |
| ≥ 2.5                  | 220                             | 220   |

**Table 12. Lead-free process (from J-STD-020D)**

| Package thickness (mm) | Package reflow temperature (°C) |             |        |
|------------------------|---------------------------------|-------------|--------|
|                        | Volume (mm <sup>3</sup> )       |             |        |
|                        | < 350                           | 350 to 2000 | > 2000 |
| < 1.6                  | 260                             | 260         | 260    |
| 1.6 to 2.5             | 260                             | 250         | 245    |
| > 2.5                  | 250                             | 245         | 245    |

Moisture sensitivity precautions, as indicated on the packing, must be respected at all times.

Studies have shown that small packages reach higher temperatures during reflow soldering, see [Figure 21](#).



For further information on temperature profiles, refer to Application Note AN10365 “Surface mount reflow soldering description”.

## 18. Soldering of through-hole mount packages

### 18.1 Introduction to soldering through-hole mount packages

This text gives a very brief insight into wave, dip and manual soldering.

Wave soldering is the preferred method for mounting of through-hole mount IC packages on a printed-circuit board.

### 18.2 Soldering by dipping or by solder wave

Driven by legislation and environmental forces the worldwide use of lead-free solder pastes is increasing. Typical dwell time of the leads in the wave ranges from 3 seconds to 4 seconds at 250 °C or 265 °C, depending on solder material applied, SnPb or Pb-free respectively.

The total contact time of successive solder waves must not exceed 5 seconds.

The device may be mounted up to the seating plane, but the temperature of the plastic body must not exceed the specified maximum storage temperature ( $T_{stg(max)}$ ). If the printed-circuit board has been pre-heated, forced cooling may be necessary immediately after soldering to keep the temperature within the permissible limit.

### 18.3 Manual soldering

Apply the soldering iron (24 V or less) to the lead(s) of the package, either below the seating plane or not more than 2 mm above it. If the temperature of the soldering iron bit is less than 300 °C it may remain in contact for up to 10 seconds. If the bit temperature is between 300 °C and 400 °C, contact may be up to 5 seconds.



## 18.4 Package related soldering information

Table 13. Suitability of through-hole mount IC packages for dipping and wave soldering

| Package                         | Soldering method |                         |
|---------------------------------|------------------|-------------------------|
|                                 | Dipping          | Wave                    |
| CPGA, HCPGA                     | -                | suitable                |
| DBS, DIP, HDIP, RDBS, SDIP, SIL | suitable         | suitable <sup>[1]</sup> |
| PMFP <sup>[2]</sup>             | -                | not suitable            |

[1] For SDIP packages, the longitudinal axis must be parallel to the transport direction of the printed-circuit board.

[2] For PMFP packages hot bar soldering or manual soldering is suitable.

19. Soldering: PCB footprints

Footprint information for reflow soldering of SO16 package

SOT162-1



Fig 22. PCB footprint for SOT162-1 (SO16); reflow soldering

Footprint information for reflow soldering of SSOP20 package

SOT266-1

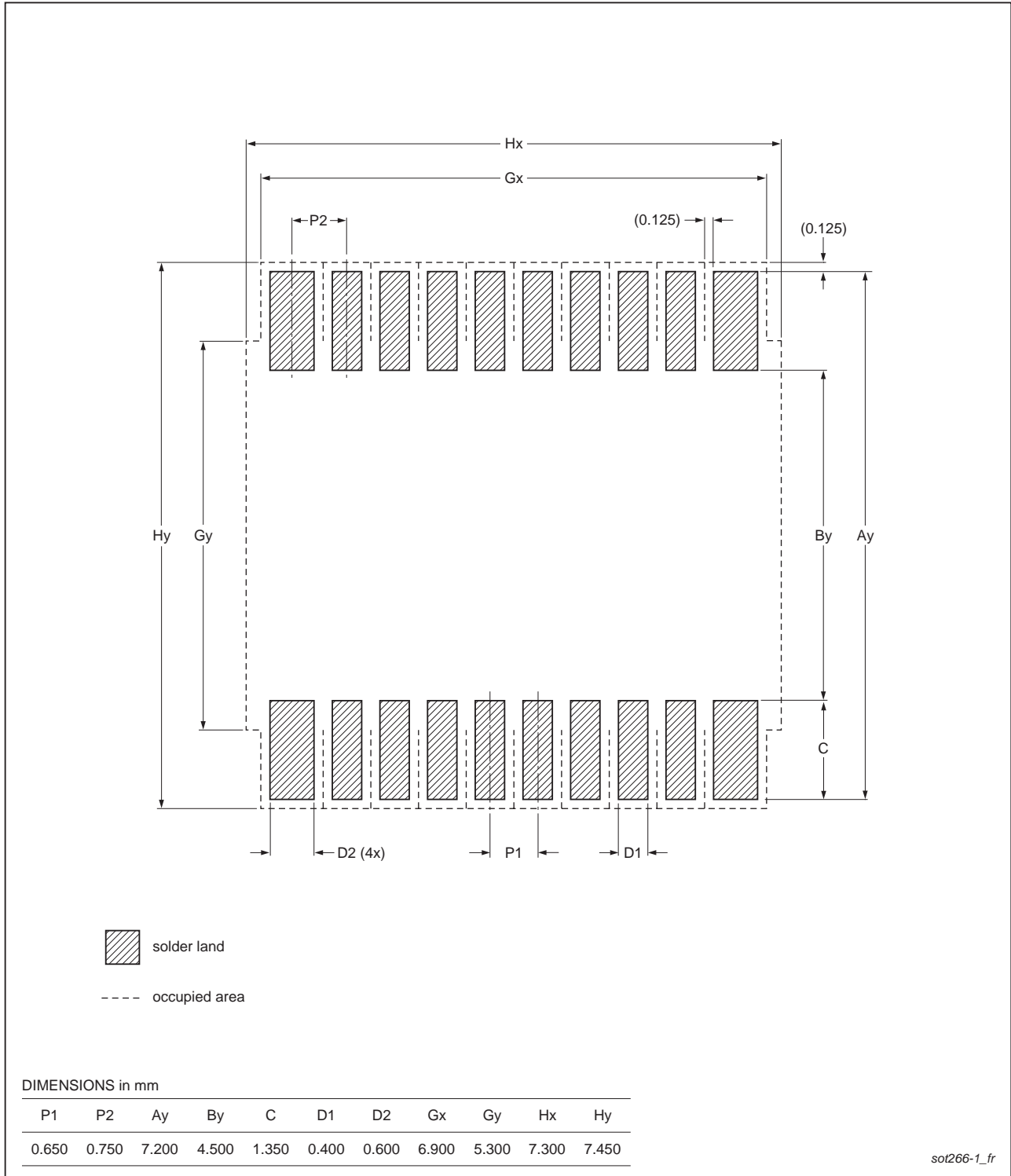


Fig 23. PCB footprint for SOT266-1 (SSOP20); reflow soldering

## 20. Abbreviations

**Table 14. Abbreviations**

| Acronym              | Description                             |
|----------------------|---|
| CDM                  | Charged-Device Model                    |
| CMOS                 | Complementary Metal Oxide Semiconductor |
| I/O                  | Input/Output                            |
| I <sup>2</sup> C-bus | Inter IC bus                            |
| ESD                  | ElectroStatic Discharge                 |
| FF                   | Flip-Flop                               |
| GPIO                 | General Purpose Input/Output            |
| HBM                  | Human Body Model                        |
| IC                   | Integrated Circuit                      |
| LED                  | Light Emitting Diode                    |
| LP                   | Low-Pass                                |
| PLC                  | Programmable Logic Controller           |
| POR                  | Power-On Reset                          |

## 21. Revision history

Table 15. Revision history

| Document ID          | Release date | Data sheet status  | Change notice | Supersedes  |
|----------------------|--------------|--------------------|---------------|-------------|
| PCF8574_PCF8574A v.5 | 20130527     | Product data sheet | -             | PCF8574 v.4 |

Modifications:

- The format of this data sheet has been redesigned to comply with the new identity guidelines of NXP Semiconductors.
- Legal texts have been adapted to the new company name where appropriate.
- Electrical parameter letter-symbols and their definitions are updated to conform to NXP presentation standards.
- [Section 1 “General description”](#): updated
- [Section 2 “Features and benefits”](#):
  - third bullet item: appended “with non-overvoltage tolerant I/O held to V<sub>DD</sub> with 100 μA current source”
  - added (new) fourth and seventh bullet items
  - added sixth bullet item: “Total package sink capability of 80 mA”
  - ninth bullet changed from “(10 μA maximum)” to “(2.5 μA typical)”
  - deleted (old) 11th, 12th and 13th bullet items
- Added (new) eighth bullet item “Mobile devices”
- [Table 1 “Ordering information”](#):
  - Type number corrected from “PCF8574T” to “PCF8574/3”
  - Type number corrected from “PCF8574AT” to “PCF8574AT/3”
  - Type number corrected from “PCF8574TS” to “PCF8574TS/3”
  - Type number corrected from “PCF8574ATS” to “PCF8574ATS/3”
- Added [Section 4.1 “Ordering options”](#)
- [Figure 4 “Pin configuration for SO16”](#): updated type numbers (appended “/3”)
- [Figure 5 “Pin configuration for SSOP20”](#): updated type numbers (appended “/3”)
- [Section 6.2 “Pin description”](#): combined DIP16, SO16 and SSOP20 pin descriptions into one table ([Table 3](#))
- [Section 7 “Functional description”](#) reorganized
- [Section 7.1 “Device address”](#), first paragraph, fourth sentence: appended “so they must be externally held HIGH or LOW”
- [Table 4 “PCF8574 address map”](#) updated: added column for 7-bit hexadecimal address without R/W
- [Table 5 “PCF8574A address map”](#) updated: added column for 7-bit hexadecimal address without R/W
- [Section 8.1 “Quasi-bidirectional I/Os”](#): re-written and placed before [Section 8.4 “Power-on reset”](#)
- added [Section 8.2 “Writing to the port \(Output mode\)”](#)
- added [Section 8.3 “Reading from a port \(Input mode\)”](#)
- [Figure 9 “Read mode \(input\)”](#): changed symbol “t<sub>ps</sub>” to “t<sub>su</sub>”
- [Section 8.4 “Power-on reset”](#) re-written
- [Section 8.5 “Interrupt output \(INT\)”](#) re-written
- [Figure 10 “Application of multiple PCF8574/74As with interrupt”](#) updated: changed device 16 from “PCF8574” to “PCF8574A”
- [Section 9.3 “Acknowledge”](#), first paragraph, third sentence re-written.
- Added [Section 10 “Application design-in information”](#)

Table 15. Revision history ...continued

| Document ID                              | Release date   | Data sheet status     | Change notice | Supersedes           |
|--|--|-----------------------|---------------|----------------------|
| Modifications: (continued)               | <ul style="list-style-type: none"> <li>• <a href="#">Table 7 “Limiting values”</a>:               <ul style="list-style-type: none"> <li>– changed parameter description for symbol <math>I_I</math> from “DC input current” to “input current”</li> <li>– changed parameter description for symbol <math>I_O</math> from “DC output current” to “output current”</li> <li>– changed parameter description for symbol <math>I_{SS}</math> from “supply current” to “ground supply current”</li> <li>– changed symbol “<math>P_O</math>” to “P/out”</li> <li>– added <math>T_{j(max)}</math> limits</li> </ul> </li> <li>• Added <a href="#">Section 12 “Thermal characteristics”</a></li> <li>• <a href="#">Table 9 “Static characteristics”</a>:               <ul style="list-style-type: none"> <li>– table title changed from “DC characteristics” to “Static characteristics”</li> <li>– sub-section “I/Os; P0 to P7”: changed parameter description for symbol <math>I_{irt(pu)}</math> from “transient pull-up current” to “transient boosted pull-up current”</li> <li>– moved sub-section “Port timing” to <a href="#">Table 10 “Dynamic characteristics”</a></li> <li>– sub-section “Interrupt <math>\overline{INT}</math>”: moved sub-sub-section “Timing” to <a href="#">Table 10 “Dynamic characteristics”</a></li> </ul> </li> <li>• <a href="#">Table 10 “Dynamic characteristics”</a>:               <ul style="list-style-type: none"> <li>– sub-section “I<sup>2</sup>C-bus timing”: deleted symbol/parameter “<math>t_{SW}</math>, tolerable spike width on bus”</li> <li>– sub-section “Port timing”: changed symbol/parameter from “<math>t_{pv}</math>, output data valid time” to “<math>t_{v(Q)}</math>, data output valid time”</li> <li>– sub-section “Port timing”: changed symbol/parameter from “<math>t_{su}</math>, input data set-up time” to “<math>t_{su(D)}</math>, data input set-up time”</li> <li>– sub-section “Port timing”: changed symbol/parameter from “<math>t_h</math>, input data hold time” to “<math>t_{h(D)}</math>, data input hold time”</li> <li>– sub-section “Interrupt <math>\overline{INT}</math>”: changed parameter description for symbol <math>t_{v(INT)}</math> from “<math>\overline{INT}</math> output valid time” to “valid time on pin <math>\overline{INT}</math>”</li> <li>– sub-section “Interrupt <math>\overline{INT}</math>”: changed parameter description for symbol <math>t_{rst(INT)}</math> from “<math>\overline{INT}</math> reset delay time” to “reset time on pin <math>\overline{INT}</math>”</li> </ul> </li> <li>• Added <a href="#">Section 19 “Soldering: PCB footprints”</a></li> </ul> |                       |               |                      |
| PCF8574 v.4<br>(9397 750 10462)          | 20021122   | Product specification | -             | PCF8574 v.3          |
| PCF8574 v.3<br>(9397 750 09911)          | 20020729   | Product specification | -             | PCF8574 v.2          |
| PCF8574 v.2<br>(9397 750 01758)          | 19970402   | Product specification | -             | PCF8574_PCF8574A v.1 |
| PCF8574_PCF8574A v.1<br>(9397 750 70011) | 199409   | Product specification | -             | -                    |

## 22. Legal information

### 22.1 Data sheet status

| Document status <sup>[1][2]</sup> | Product status <sup>[3]</sup> | Definition  |
|-----------------------------------|-------------------------------|---|
| Objective [short] data sheet      | Development                   | This document contains data from the objective specification for product development. |
| Preliminary [short] data sheet    | Qualification                 | This document contains data from the preliminary specification.                       |
| Product [short] data sheet        | Production                    | This document contains the product specification.                                     |

[1] Please consult the most recently issued document before initiating or completing a design.

[2] The term 'short data sheet' is explained in section "Definitions".

[3] The product status of device(s) described in this document may have changed since this document was published and may differ in case of multiple devices. The latest product status information is available on the Internet at URL <http://www.nxp.com>.

### 22.2 Definitions

**Draft** — The document is a draft version only. The content is still under internal review and subject to formal approval, which may result in modifications or additions. NXP Semiconductors does not give any representations or warranties as to the accuracy or completeness of information included herein and shall have no liability for the consequences of use of such information.

**Short data sheet** — A short data sheet is an extract from a full data sheet with the same product type number(s) and title. A short data sheet is intended for quick reference only and should not be relied upon to contain detailed and full information. For detailed and full information see the relevant full data sheet, which is available on request via the local NXP Semiconductors sales office. In case of any inconsistency or conflict with the short data sheet, the full data sheet shall prevail.

**Product specification** — The information and data provided in a Product data sheet shall define the specification of the product as agreed between NXP Semiconductors and its customer, unless NXP Semiconductors and customer have explicitly agreed otherwise in writing. In no event however, shall an agreement be valid in which the NXP Semiconductors product is deemed to offer functions and qualities beyond those described in the Product data sheet.

### 22.3 Disclaimers

**Limited warranty and liability** — Information in this document is believed to be accurate and reliable. However, NXP Semiconductors does not give any representations or warranties, expressed or implied, as to the accuracy or completeness of such information and shall have no liability for the consequences of use of such information. NXP Semiconductors takes no responsibility for the content in this document if provided by an information source outside of NXP Semiconductors.

In no event shall NXP Semiconductors be liable for any indirect, incidental, punitive, special or consequential damages (including - without limitation - lost profits, lost savings, business interruption, costs related to the removal or replacement of any products or rework charges) whether or not such damages are based on tort (including negligence), warranty, breach of contract or any other legal theory.

Notwithstanding any damages that customer might incur for any reason whatsoever, NXP Semiconductors' aggregate and cumulative liability towards customer for the products described herein shall be limited in accordance with the *Terms and conditions of commercial sale* of NXP Semiconductors.

**Right to make changes** — NXP Semiconductors reserves the right to make changes to information published in this document, including without limitation specifications and product descriptions, at any time and without notice. This document supersedes and replaces all information supplied prior to the publication hereof.

**Suitability for use** — NXP Semiconductors products are not designed, authorized or warranted to be suitable for use in life support, life-critical or safety-critical systems or equipment, nor in applications where failure or malfunction of an NXP Semiconductors product can reasonably be expected to result in personal injury, death or severe property or environmental damage. NXP Semiconductors and its suppliers accept no liability for inclusion and/or use of NXP Semiconductors products in such equipment or applications and therefore such inclusion and/or use is at the customer's own risk.

**Applications** — Applications that are described herein for any of these products are for illustrative purposes only. NXP Semiconductors makes no representation or warranty that such applications will be suitable for the specified use without further testing or modification.

Customers are responsible for the design and operation of their applications and products using NXP Semiconductors products, and NXP Semiconductors accepts no liability for any assistance with applications or customer product design. It is customer's sole responsibility to determine whether the NXP Semiconductors product is suitable and fit for the customer's applications and products planned, as well as for the planned application and use of customer's third party customer(s). Customers should provide appropriate design and operating safeguards to minimize the risks associated with their applications and products.

NXP Semiconductors does not accept any liability related to any default, damage, costs or problem which is based on any weakness or default in the customer's applications or products, or the application or use by customer's third party customer(s). Customer is responsible for doing all necessary testing for the customer's applications and products using NXP Semiconductors products in order to avoid a default of the applications and the products or of the application or use by customer's third party customer(s). NXP does not accept any liability in this respect.

**Limiting values** — Stress above one or more limiting values (as defined in the Absolute Maximum Ratings System of IEC 60134) will cause permanent damage to the device. Limiting values are stress ratings only and (proper) operation of the device at these or any other conditions above those given in the Recommended operating conditions section (if present) or the Characteristics sections of this document is not warranted. Constant or repeated exposure to limiting values will permanently and irreversibly affect the quality and reliability of the device.

**Terms and conditions of commercial sale** — NXP Semiconductors products are sold subject to the general terms and conditions of commercial sale, as published at <http://www.nxp.com/profile/terms>, unless otherwise agreed in a valid written individual agreement. In case an individual agreement is concluded only the terms and conditions of the respective agreement shall apply. NXP Semiconductors hereby expressly objects to applying the customer's general terms and conditions with regard to the purchase of NXP Semiconductors products by customer.

**No offer to sell or license** — Nothing in this document may be interpreted or construed as an offer to sell products that is open for acceptance or the grant, conveyance or implication of any license under any copyrights, patents or other industrial or intellectual property rights.

**Export control** — This document as well as the item(s) described herein may be subject to export control regulations. Export might require a prior authorization from competent authorities.

**Non-automotive qualified products** — Unless this data sheet expressly states that this specific NXP Semiconductors product is automotive qualified, the product is not suitable for automotive use. It is neither qualified nor tested in accordance with automotive testing or application requirements. NXP Semiconductors accepts no liability for inclusion and/or use of non-automotive qualified products in automotive equipment or applications.

In the event that customer uses the product for design-in and use in automotive applications to automotive specifications and standards, customer (a) shall use the product without NXP Semiconductors' warranty of the product for such automotive applications, use and specifications, and (b) whenever customer uses the product for automotive applications beyond NXP Semiconductors' specifications such use shall be solely at customer's

own risk, and (c) customer fully indemnifies NXP Semiconductors for any liability, damages or failed product claims resulting from customer design and use of the product for automotive applications beyond NXP Semiconductors' standard warranty and NXP Semiconductors' product specifications.

**Translations** — A non-English (translated) version of a document is for reference only. The English version shall prevail in case of any discrepancy between the translated and English versions.

## 22.4 Trademarks

Notice: All referenced brands, product names, service names and trademarks are the property of their respective owners.

**I<sup>2</sup>C-bus** — logo is a trademark of NXP B.V.

## 23. Contact information

For more information, please visit: <http://www.nxp.com>

For sales office addresses, please send an email to: [salesaddresses@nxp.com](mailto:salesaddresses@nxp.com)



## 24. Contents

|           |  |           |           |  |           |
|-----------|--|-----------|-----------|--|-----------|
| <b>1</b>  | <b>General description</b> . . . . .                               | <b>1</b>  | 18.3      | Manual soldering . . . . .                     | 24        |
| <b>2</b>  | <b>Features and benefits</b> . . . . .                             | <b>1</b>  | 18.4      | Package related soldering information. . . . . | 25        |
| <b>3</b>  | <b>Applications</b> . . . . .                                      | <b>2</b>  | <b>19</b> | <b>Soldering: PCB footprints</b> . . . . .     | <b>26</b> |
| <b>4</b>  | <b>Ordering information</b> . . . . .                              | <b>2</b>  | <b>20</b> | <b>Abbreviations</b> . . . . .                 | <b>28</b> |
| 4.1       | Ordering options . . . . .   | 2         | <b>21</b> | <b>Revision history</b> . . . . .              | <b>29</b> |
| <b>5</b>  | <b>Block diagram</b> . . . . .                                     | <b>3</b>  | <b>22</b> | <b>Legal information</b> . . . . .             | <b>31</b> |
| <b>6</b>  | <b>Pinning information</b> . . . . .                               | <b>4</b>  | 22.1      | Data sheet status . . . . .                    | 31        |
| 6.1       | Pinning . . . . .  | 4         | 22.2      | Definitions . . . . .                          | 31        |
| 6.2       | Pin description . . . . .  | 4         | 22.3      | Disclaimers . . . . .                          | 31        |
| <b>7</b>  | <b>Functional description</b> . . . . .                            | <b>5</b>  | 22.4      | Trademarks . . . . .                           | 32        |
| 7.1       | Device address . . . . .   | 5         | <b>23</b> | <b>Contact information</b> . . . . .           | <b>32</b> |
| 7.1.1     | Address maps . . . . .   | 5         | <b>24</b> | <b>Contents</b> . . . . .                      | <b>33</b> |
| <b>8</b>  | <b>I/O programming</b> . . . . .                                   | <b>6</b>  |           |  |           |
| 8.1       | Quasi-bidirectional I/Os . . . . .                                 | 6         |           |  |           |
| 8.2       | Writing to the port (Output mode) . . . . .                        | 8         |           |  |           |
| 8.3       | Reading from a port (Input mode) . . . . .                         | 9         |           |  |           |
| 8.4       | Power-on reset . . . . .   | 9         |           |  |           |
| 8.5       | Interrupt output ( $\overline{\text{INT}}$ ) . . . . .             | 10        |           |  |           |
| <b>9</b>  | <b>Characteristics of the I<sup>2</sup>C-bus</b> . . . . .         | <b>11</b> |           |  |           |
| 9.1       | Bit transfer . . . . .   | 11        |           |  |           |
| 9.1.1     | START and STOP conditions . . . . .                                | 11        |           |  |           |
| 9.2       | System configuration . . . . .                                     | 11        |           |  |           |
| 9.3       | Acknowledge . . . . .  | 12        |           |  |           |
| <b>10</b> | <b>Application design-in information</b> . . . . .                 | <b>13</b> |           |  |           |
| 10.1      | Bidirectional I/O expander applications . . . . .                  | 13        |           |  |           |
| 10.2      | How to read and write to I/O expander<br>(example) . . . . .       | 13        |           |  |           |
| 10.3      | High current-drive load applications . . . . .                     | 14        |           |  |           |
| 10.4      | Migration path . . . . .   | 14        |           |  |           |
| <b>11</b> | <b>Limiting values</b> . . . . .                                   | <b>15</b> |           |  |           |
| <b>12</b> | <b>Thermal characteristics</b> . . . . .                           | <b>15</b> |           |  |           |
| <b>13</b> | <b>Static characteristics</b> . . . . .                            | <b>16</b> |           |  |           |
| <b>14</b> | <b>Dynamic characteristics</b> . . . . .                           | <b>17</b> |           |  |           |
| <b>15</b> | <b>Package outline</b> . . . . .                                   | <b>19</b> |           |  |           |
| <b>16</b> | <b>Handling information</b> . . . . .                              | <b>22</b> |           |  |           |
| <b>17</b> | <b>Soldering of SMD packages</b> . . . . .                         | <b>22</b> |           |  |           |
| 17.1      | Introduction to soldering . . . . .                                | 22        |           |  |           |
| 17.2      | Wave and reflow soldering . . . . .                                | 22        |           |  |           |
| 17.3      | Wave soldering . . . . .   | 22        |           |  |           |
| 17.4      | Reflow soldering . . . . .   | 23        |           |  |           |
| <b>18</b> | <b>Soldering of through-hole mount packages</b> . . . . .          | <b>24</b> |           |  |           |
| 18.1      | Introduction to soldering through-hole mount<br>packages . . . . . | 24        |           |  |           |
| 18.2      | Soldering by dipping or by solder wave . . . . .                   | 24        |           |  |           |

Please be aware that important notices concerning this document and the product(s) described herein, have been included in section 'Legal information'.

© NXP B.V. 2013.

All rights reserved.

For more information, please visit: <http://www.nxp.com>

For sales office addresses, please send an email to: [salesaddresses@nxp.com](mailto:salesaddresses@nxp.com)

Date of release: 27 May 2013

Document identifier: PCF8574\_PCF8574A

Компания «Life Electronics» занимается поставками электронных компонентов импортного и отечественного производства от производителей и со складов крупных дистрибьюторов Европы, Америки и Азии.

С конца 2013 года компания активно расширяет линейку поставок компонентов по направлению коаксиальный кабель, кварцевые генераторы и конденсаторы (керамические, пленочные, электролитические), за счёт заключения дистрибьюторских договоров

Мы предлагаем:

- Конкурентоспособные цены и скидки постоянным клиентам.
- Специальные условия для постоянных клиентов.
- Подбор аналогов.
- Поставку компонентов в любых объемах, удовлетворяющих вашим потребностям.
- Приемлемые сроки поставки, возможна ускоренная поставка.
- Доставку товара в любую точку России и стран СНГ.
- Комплексную поставку.
- Работу по проектам и поставку образцов.
- Формирование склада под заказчика.
- Сертификаты соответствия на поставляемую продукцию (по желанию клиента).
- Тестирование поставляемой продукции.
- Поставку компонентов, требующих военную и космическую приемку.
- Входной контроль качества.
- Наличие сертификата ISO.

В составе нашей компании организован Конструкторский отдел, призванный помогать разработчикам, и инженерам.

Конструкторский отдел помогает осуществить:

- Регистрацию проекта у производителя компонентов.
- Техническую поддержку проекта.
- Защиту от снятия компонента с производства.
- Оценку стоимости проекта по компонентам.
- Изготовление тестовой платы монтаж и пусконаладочные работы.



Тел: +7 (812) 336 43 04 (многоканальный)

Email: [org@lifeelectronics.ru](mailto:org@lifeelectronics.ru)