

Ceramic Resonators (CERALOCK®)



EU RoHS Compliant

- All the products in this catalog comply with EU RoHS.
- EU RoHS is "the European Directive 2011/65/EU on the Restriction of the Use of Certain Hazardous Substances in Electrical and Electronic Equipment."
- For more details, please refer to our website 'Murata's Approach for EU RoHS' (<http://www.murata.com/info/rohs.html>).

CONTENTS

CERALOCK®, CERALOCK(R) and "CERALOCK" in this catalog are the trademarks of Murata Manufacturing Co., Ltd.

| | | |
|---|-------|----|
| Selection Guide | _____ | 2 |
| Part Numbering | _____ | 3 |
| 1 MHz Chip Type -Tight Frequency Tolerance for Automotive- | _____ | 4 |
| ● Application Circuits Utilization | _____ | 6 |
| 2 MHz Chip Type -Standard Frequency Tolerance for Automotive- | _____ | 7 |
| ● Application Circuits Utilization | _____ | 11 |
| Notice for Automotive | _____ | 12 |
| Packaging for Automotive | _____ | 17 |
| 3 MHz Chip Type -Tight Frequency Tolerance for General Usage- | _____ | 19 |
| ● Application Circuits Utilization | _____ | 22 |
| 4 MHz Chip Type -Standard Frequency Tolerance for General Usage- | _____ | 23 |
| ● Application Circuits Utilization | _____ | 27 |
| 5 MHz Lead Type -Standard Frequency Tolerance for General Usage- | _____ | 29 |
| ● Application Circuits Utilization | _____ | 31 |
| Notice for General Usage | | |
| ● MHz Chip Type | _____ | 32 |
| ● MHz Lead Type | _____ | 37 |
| Packaging for General Usage | | |
| ● MHz Chip Type | _____ | 38 |
| ● MHz Lead Type | _____ | 41 |

1

2

3

4

5

Selection Guide



Notice: "CERALOCK® for consumer" and "CERALOCK® for automotive" is different in the specification of Operating Temperature Range, Environmental Characteristics, Physical Characteristics and so on. Please choose either "for consumer" or "for automotive" according to the required specification.

● Part Numbering

CERALOCK® (MHz)



① Product ID

| Product ID | |
|------------|--------------------|
| CS | Ceramic Resonators |

② Frequency/Capacitance

| Code | Frequency/Capacitance |
|------|----------------------------------|
| A | MHz with No Capacitance Built-in |
| T | MHz with Built-in Capacitance |

③ Structure/Size

| Code | Structure/Size |
|----------|----------------------------|
| LS | Round Lead Type |
| CC | Cap Chip Type |
| CR/CE/CG | Small-cap Chip Type |
| CV | Monolithic Chip Type |
| CW | Small Monolithic Chip Type |

④ Nominal Center Frequency

Expressed by four-digit alphanumerics. The unit is in hertz (Hz).
 Decimal point is expressed by capital letter "M."

⑤ Design

| Code | Design |
|-------|--|
| G□□ | Thickness Shear mode |
| T/V□□ | Thickness Expander mode |
| X□□ | Thickness Expander mode (3rd overtone) |

□□ indicates initial frequency tolerance and load capacity.

⑥ Initial Frequency Tolerance

| Code | Initial Frequency Tolerance |
|------|-----------------------------|
| 5 | ±0.5% |
| 3 | ±0.3% |
| 2 | ±0.2% |
| 1 | ±0.1% |
| H | ±0.07% |

⑦ Load Capacity

| Code | Load Capacity |
|------|---------------|
| 1 | 5/6pF |
| 2 | 10pF |
| 3 | 15pF |
| 4 | 22pF |
| 5 | 30/33/39pF |
| 6 | 47pF |

⑧ Individual Specification

| Code | Individual Specification |
|------|---|
| *** | Three-digit alphanumerics express "Individual Specification." |

With standard products, "⑧ Individual Specification" and "⑨ Packaging" is omitted.

⑨ Packaging

| Code | Packaging |
|------|------------------------------------|
| -B0 | Bulk |
| -A0 | Radial Taping H ₀ =18mm |
| -R0 | Plastic Taping ø=180mm |
| -R1 | Plastic Taping ø=330mm |

Radial taping is applied to lead type and plastic taping to chip type.

Ceramic Resonators (CERALOCK®)



MHz Chip Type -Tight Frequency Tolerance for Automotive-

Chip type CERALOCK(R) with built-in load capacitors provides high accuracy in an extremely small package. MURATA's frequency adjustment and package technology expertise has enabled the development of the chip CERALOCK(R) with built-in load capacitors. This diverse series owes its development to MURATA's original mass production techniques and high reliability, and has achieved importance in the worldwide automotive market.

■ Features

1. The series are high accuracy resonators whose total tolerance is available for less than $\pm 3,000$ ppm.
2. The series has high reliability and is available for a wide temperature range.
3. Oscillation circuits do not require external load capacitors.
4. The series is available for a wide frequency range.
5. The resonators are extremely small and have a low profile.
6. No adjustment is necessary for oscillation circuits.

■ Applications

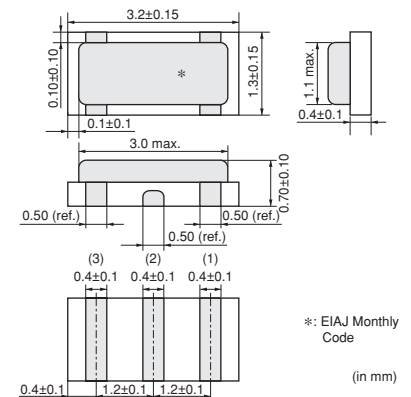
1. Cluster panel and Control panel
2. Safety control
(Anti-lock Brake System, Electronic Stability Control, Airbag, etc.)
3. Engine ECU, Electronic Power Steering, Immobilizer, etc.
4. Car Air conditioner, Power Window, Remote Keyless Entry system, etc.
5. Intelligent Transportation System
(Lane Keeping System, Millimeter wave radar, etc.)
6. Battery control for hybrid cars



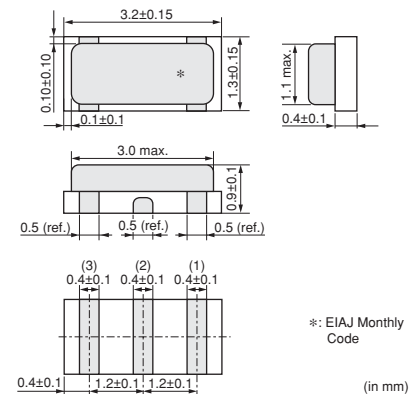
CSTCR_G15C
 4.00-7.99MHz



CSTCE_G15C
 8.00-13.99MHz



CSTCE_V13C
 14.00-20.00MHz



| Part Number | Oscillating Frequency (MHz) | Initial Tolerance | Temperature Stability (%) | Temperature Range (°C) |
|-------------|-----------------------------|-------------------|---------------------------|------------------------|
| CSTCR_G15C | 4.00 to 7.99 | $\pm 0.1\%$ | ± 0.13 | -40 to 125 |
| CSTCE_G15C | 8.00 to 13.99 | $\pm 0.1\%$ | ± 0.13 | -40 to 125 |
| CSTCE_V13C | 14.00 to 20.00 | $\pm 0.1\%$ | ± 0.13 | -40 to 125 |

Irregular or stopped oscillation may occur under unmatched circuit conditions. Please check the actual conditions prior to use.

■ Oscillation Frequency Measuring Circuit



■ Standard Land Pattern Dimensions

CSTCR_G15C
 (* This Land Pattern is not common to CSTCR_G.)



(in mm)

CSTCE_G15C



(in mm)

CSTCE_V13C
 (* This Land Pattern is not common to CSTCE_V.)



(in mm)

■ Oscillation Frequency Temperature Stability

CSTCR_G15C



CSTCE_G15C



CSTCE_V13C



Application Circuits Utilization

■ TMP92CD54IF (Toshiba)

16-bit Microcomputer



H1: 36, 68, 86
 H2: 2, 4, 15, 40, 50, 61, 75
 L: 1, 3, 13, 38, 51, 63, 73, 88

CERALOCK®: CSTCE10M0G15C□□-R0
 C1=33pF (Typ.)
 C2=33pF (Typ.)

■ MB90F387 (Fujitsu)

16-bit Microcomputer



H: 1, 2, 21, 22, 24
 L: 20, 23, 25, 48

CERALOCK®: CSTCE8M00G15C□□-R0
 C1=33pF (Typ.)
 C2=33pF (Typ.)

■ MC68HC908AZ60AVFU (Freescale)

8-bit Microcomputer



CERALOCK®: CSTCE16M0V13C□□-R0
 C1=15pF (Typ.)
 C2=15pF (Typ.)

■ ST72F561 (HS) (ST Microelectronics)

8-bit Microcomputer



H: 9, 25, 41, 57, 58
 L: 8, 24, 40, 55, 56

CERALOCK®: CSTCE8M00G15A□□-R0
 C1=33pF (Typ.)
 C2=33pF (Typ.)

■ µPD70F3283YGC (Renesas)

32-bit Microcomputer



H: 1, 5, 9, 34, 70
 L: 2, 8, 11, 15, 33, 69

CERALOCK®: CSTCE10M0G15C□□-R0
 C1=33pF (Typ.)
 C2=33pF (Typ.)

■ M30842MCT-XXXGP (Renesas)

16-bit Microcomputer



H: 23, 24, 37, 39, 59, 74, 91, 118, 122,
 132, 142, 143
 L: 15, 16, 21, 36, 41, 57, 76, 93,
 110~113, 120, 121, 130, 140

*High: XIN-XOUT Drive Capacity Select Bit

CERALOCK®: CSTCE8M00G15C□□-R0
 C1=33pF (Typ.)
 C2=33pF (Typ.)

Ceramic Resonators (CERALOCK®)



MHz Chip Type -Standard Frequency Tolerance for Automotive-

Chip type CERALOCK(R) with built-in load capacitors provides high accuracy in an extremely small package. MURATA's frequency adjustment and package technology expertise has enabled the development of the chip CERALOCK(R) with built-in load capacitors. This diverse series owes its development to MURATA's original mass production techniques and high reliability, and has achieved importance in the worldwide automotive market.

■ Features

1. The series has high reliability and is available for a wide temperature range.
2. Oscillation circuits do not require external load capacitors.
3. The series is available in a wide frequency range.
4. The resonators are extremely small and have a low profile.
5. No adjustment is necessary for oscillation circuits.

■ Applications

1. Cluster panel and Control panel
2. Safety control
(Anti-lock Brake System, Electronic Stability Control, Airbag, etc.)
3. Engine ECU, Electronic Power Steering, Immobilizer, etc.
4. Car Air conditioner, Power Window, Remote Keyless Entry system, etc.
5. Electronic Toll Collection system, Car Navigation, etc.



CSTCC_G_A
 2.00-3.99MHz



CSTCR_G_B
 4.00-7.99MHz



CSTCE_G_A
 8.00-13.99MHz



CSTCE_V_C
 14.00-20.00MHz

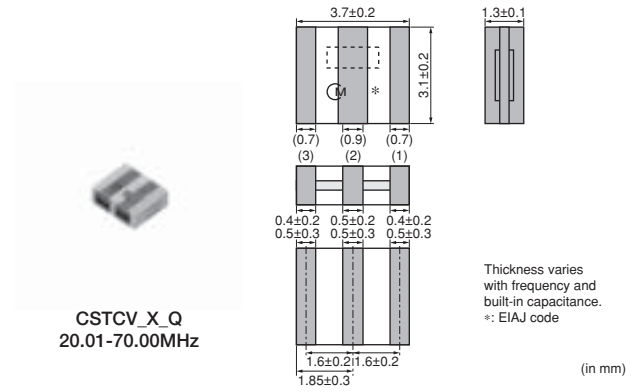


Continued on the following page. ↗

Continued from the preceding page.



CSACV_X_Q
 20.01-70.00MHz



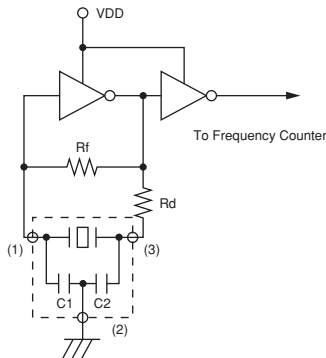
CSTCV_X_Q
 20.01-70.00MHz

| Part Number | Oscillating Frequency (MHz) | Initial Tolerance | Temperature Stability (%) | Temperature Range (°C) |
|-------------|-----------------------------|-------------------|--|------------------------|
| CSTCC_G_A | 2.00 to 3.99 | ±0.5% | ±0.4 [-0.6% to +0.3%:Built-in Capacitance 47pF type within Freq.2.00 to 3.49MHz] | -40 to 125 |
| CSTCR_G_B | 4.00 to 7.99 | ±0.5% | ±0.15 | -40 to 125 |
| CSTCE_G_A | 8.00 to 13.99 | ±0.5% | ±0.2 | -40 to 125 |
| CSTCE_V_C | 14.00 to 20.00 | ±0.5% | ±0.15 | -40 to 125 |
| CSACV_X_Q | 20.01 to 70.00 | ±0.5% | ±0.3 | -40 to 125 |
| CSTCV_X_Q | 20.01 to 70.00 | ±0.5% | ±0.3 | -40 to 125 |

Irregular or stopped oscillation may occur under unmatched circuit conditions. Please check the actual conditions prior to use.

■ Oscillation Frequency Measuring Circuit

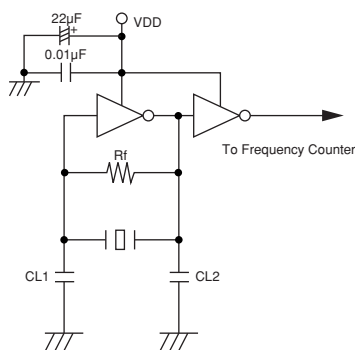
CSTCC_G_A



CSTCE_G_A/CSTCE_V_C/CSTCR_G_B/CSTCV_X_Q



CSACV_X_Q



■ Standard Land Pattern Dimensions

CSTCC_G_A



(in mm)

CSTCR_G_B



(in mm)

CSTCE_G_A



(in mm)

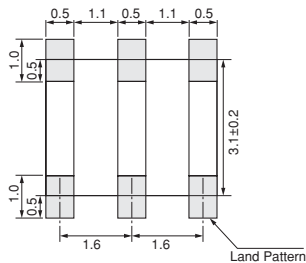
CSTCE_V_C

(* This Land Pattern is not common to CSTCE_V.)



(in mm)

CSTCV_X_Q



(in mm)

CSACV_X_Q



(in mm)

■ Oscillation Frequency Temperature Stability

CSTCC_G_A



CSTCR_G_B



CSTCE_G_A



CSTCE_V_C



CSTCV_X_Q



CSACV_X_Q



Application Circuits Utilization

2

■ μ PD78F9222MC-5A4 (Renesas) 8-bit Microcomputer



H: 5, 20
 L: 1

CERALOCK®: CSTCR6M00G55B-R0
 C1=39pF (Typ.)
 C2=39pF (Typ.)

■ M30260F8AGP (Renesas) 16-bit Microcomputer



H: 11, 46, 47, 48
 L: 4, 9, 44

*High: XIN-XOUT Drive Capacity Select Bit

CERALOCK®: CSTCE10M0G55A-R0
 C1=33pF (Typ.)
 C2=33pF (Typ.)

■ MB90F347D (Fujitsu) 16-bit Microcomputer



H: 15, 32, 65, 90
 L: 16, 35, 44, 66, 91

CERALOCK®: CSTCE8M00G55A-R0
 C1=33pF (Typ.)
 C2=33pF (Typ.)

■ MC68HC908AZ60AVFU (Freescale) 8-bit Microcomputer



CERALOCK®: CSTCE16M0G53C-R0
 C1=15pF (Typ.)
 C2=15pF (Typ.)

■ ST72F324J6T3 (MS) (ST Microelectronics) 8-bit Microcomputer



H: 13, 21, 32, 43
 L: 14, 22, 33, 39, 40

CERALOCK®: CSTCR4M00G55B-R0
 C1=39pF (Typ.)
 C2=39pF (Typ.)

■ PIC12F675-I/P (HS) (Microchip) 8-bit Microcomputer



H: 1
 L: 4, 8

CERALOCK®: CSTCE8M00G52A-R0
 C1=10pF (Typ.)
 C2=10pF (Typ.)

Notice for Automotive

■ Soldering and Mounting (CSTCC/CSTCR/CSTCE_V/CSTCE_G Series)

1. Soldering

(1) Reflow soldering

Please mount component on a circuit board by reflow soldering. Flow soldering is not acceptable.

Recommendable Flux and Solder

| | |
|--------|---|
| Flux | Please use rosin based flux, not water soluble flux. |
| Solder | Please use solder (Sn-3.0Ag-0.5Cu) under the following conditions: Standard thickness of soldering paste: 0.10 to 0.15mm. |

Recommendable Soldering Profile

| | | |
|------------------|--|--------------------|
| Pre-heating | 150 to 180°C | 60 to 120s |
| Heating | 220°C min. | 30 to 60s |
| Peak Temperature | upper limit: 260°C lower limit: 245°C | 1s max. 5s max. |

Temperature shall be measured on the surface of component.



(2) Soldering with Iron

If compelled to mount the component by using soldering iron, please do not directly touch the component with the soldering iron. The component terminals or electrical characteristics may be damaged if excessive thermal stress is applied.

Recommendable Soldering with Iron

| | |
|-------------------------------|-------------------------|
| Heating of the soldering iron | 350°C max. |
| Watt | 30W max. |
| Shape of the soldering iron | ø3mm max. |
| Soldering Time | 5s max. at one terminal |
| Solder | Sn-3.0Ag-0.5Cu |

(3) Solder Volume

Please make the solder volume less than the height of the substrate to avoid damage to the seal between the metal cap and the substrate.

(4) Other

Do not reuse components removed from a circuit board after soldering.

(5) Conditions for Placement Machines

The component is recommended with placement machines that employ optical placement capabilities. The component may be damaged by excessive mechanical force. Please make sure that you have evaluated by using placement machines before going into mass production. Do not use placement machines that utilize mechanical positioning. Please contact Murata for details beforehand.

Continued on the following page.

Notice for Automotive

☐ Continued from the preceding page.

2. Wash

(1) Cleaning Solvents

HCFC, Isopropanol, Tap water, Demineralized water,
Cleanthrough750H, Pine alpha 100S, Techno care FRW

(2) Temperature Difference : dT *1

$dT \leq 60^{\circ}\text{C}$ (dT=Component-solvent)

*1 ex. If the component is immersed at $+90^{\circ}\text{C}$ into
cleaning solvent at $+60^{\circ}\text{C}$, then $dT=30^{\circ}\text{C}$.

(3) Conditions

(a) Ultrasonic Wash

1 minute max. in above solvent at $+60^{\circ}\text{C}$ max.
(Frequency: 28kHz, Output: 20W/l)

(b) Immersion Wash

5 minutes max. in above solvent at $+60^{\circ}\text{C}$ max.

(c) Shower or Rinse Wash

5 minutes max. in above solvent at $+60^{\circ}\text{C}$ max.

(4) Drying

5 minutes max. by air blow at $+80^{\circ}\text{C}$ max.

(5) Other

(a) Total washing time should be within 10 minutes.

(b) The component may be damaged if it is washed with
chlorine, petroleum, or alkali cleaning solvent.

3. Coating

Conformal coating of the component is acceptable.

However, the resin material, curing temperature, and
other process conditions should be evaluated to confirm
stable electrical characteristics are maintained.

Notice for Automotive

■ Soldering and Mounting (CSTCV/CSACV Series)

1. Soldering

(1) Reflow soldering

Please mount component on a circuit board by reflow soldering. Flow soldering is not acceptable.

Recommendable Flux and Solder

| | |
|--------|---|
| Flux | Please use rosin based flux, not water soluble flux. |
| Solder | Please use solder (Sn-3.0Ag-0.5Cu) under the following conditions: Standard thickness of soldering paste: 0.10 to 0.15mm. |

Recommendable Soldering Profile

| | | |
|------------------|--------------------|------------|
| Pre-heating | 150 to 180°C | 60 to 120s |
| Heating | 220°C min. | 30 to 60s |
| Peak Temperature | upper limit: 260°C | 1s max. |
| | lower limit: 245°C | 5s max. |

Temperature shall be measured on the surface of component.



(2) Soldering with Iron

If compelled to mount the component by using soldering iron, please do not directly touch the component with the soldering iron. The component terminals or electrical characteristics may be damaged if excessive thermal stress is applied.

Recommendable Soldering with Iron

| | |
|-------------------------------|-------------------------|
| Heating of the soldering iron | 350°C max. |
| Watt | 30W max. |
| Shape of the soldering iron | ø3mm max. |
| Soldering Time | 5s max. at one terminal |
| Solder | Sn-3.0Ag-0.5Cu |

(3) Other

Do not reuse components removed from a circuit board after soldering.

(4) Conditions for Placement Machines

The component is recommended with placement machines that employ optical placement capabilities. The component may be damaged by excessive mechanical force. Please make sure that you have evaluated by using placement machines before going into mass production. Do not use placement machines that utilize mechanical positioning. Please contact Murata for details beforehand.

2. Wash

(1) Cleaning Solvents

HCFC, Isopropanol, Tap water, Demineralized water, Cleanthrough750H, Pine alpha 100S, Techno care FRW

(2) Temperature Difference : dT *1

$dT \leq 60^\circ\text{C}$ (dT=Component-solvent)

*1 ex. If the component is immersed at +90°C into cleaning solvent at +60°C, then dT=30°C.

Continued on the following page.

Notice for Automotive

☒ Continued from the preceding page.

(3) Conditions

(a) Ultrasonic Wash

1 minute max. in above solvent at +60°C max.
(Frequency: 28kHz, Output: 20W/l)

(b) Immersion Wash

5 minutes max. in above solvent at +60°C max.

(c) Shower or Rinse Wash

5 minutes max. in above solvent at +60°C max.

(4) Drying

5 minutes max. by air blow at +80°C max.

(5) Other

(a) Total washing time should be within 10 minutes.

(b) The component may be damaged if it is washed with chlorine, petroleum, or alkali cleaning solvent.

3. Coating

Conformal coating of the component is acceptable.

However, the resin material, curing temperature, and other process conditions should be evaluated to confirm stable electrical characteristics are maintained.

Notice for Automotive

■ Storage and Operating Conditions

1. Product Storage Conditions

Please store the products in a room where the temperature/humidity is stable, and avoid such places where there are large temperature changes.

Please store the products under the following conditions:

Temperature: -10 to +40°C

Humidity: 15 to 85% R.H.

2. Expiration Date on Storage

Expiration date (Shelf life) of the products is six months after delivery under the conditions of a sealed and unopened package. Please use the products within six months after delivery. If you store the products for a long time (more than six months), use carefully because the products may be degraded in solderability and/or rusty.

Please confirm solderability and characteristics for the products regularly.

3. Notice on Product Storage

- (1) Please do not store the products in a chemical atmosphere (Acids, Alkali, Bases, Organic gas, Sulfides and so on), because the characteristics may be reduced in quality, and/or be degraded in the solderability due to the storage in a chemical atmosphere.

- (2) Please do not put the products directly on the floor without anything under them to avoid damp and/or dusty places.

- (3) Please do not store the products in places such as: in a damp heated place, in a place where direct sunlight comes in, in a place applying vibrations.

- (4) Please use the products immediately after the package is opened, because the characteristics may be reduced in quality, and/or be degraded in the solderability due to storage under the poor conditions.

- (5) Please do not drop the products to avoid cracking of ceramic elements.

4. Other

Conformal coating of the component is acceptable.

However, the resin material, curing temperature, and other process conditions should be evaluated to confirm that stable electrical characteristics are maintained.

Please be sure to consult with our sales representatives or engineers whenever and prior to using the products.

■ Rating

The component may be damaged if excessive mechanical stress is applied.

■ Handling

"CERALOCK" may stop oscillating or oscillate irregularly under improper circuit conditions.

Packaging for Automotive

■ Minimum Quantity

| Part Number | Plastic Tape ø180mm | Plastic Tape ø330mm | Bulk | Dimensions |
|-------------|---------------------|---------------------|------|------------|
| CSTCC_G_A | 2,000 | 6,000 | 500 | a |
| CSTCR_G_B | 3,000 | 9,000 | 500 | a |
| CSTCR_G15C | 3,000 | 9,000 | 500 | a |
| CSTCE_G_A | 3,000 | 9,000 | 500 | b |
| CSTCE_G15C | 3,000 | 9,000 | 500 | b |
| CSTCE_V_C | 3,000 | 9,000 | 500 | b |
| CSTCE_V13C | 3,000 | 9,000 | 500 | b |
| CSTCV_X_Q | 2,000 | 6,000 | 500 | a |
| CSACV_X_Q | 2,000 | 6,000 | 500 | a |

The order quantity should be an integral multiple of the "Minimum Quantity" shown above.

(pcs.)

■ Dimensions of Reel



■ Dimensions of Taping



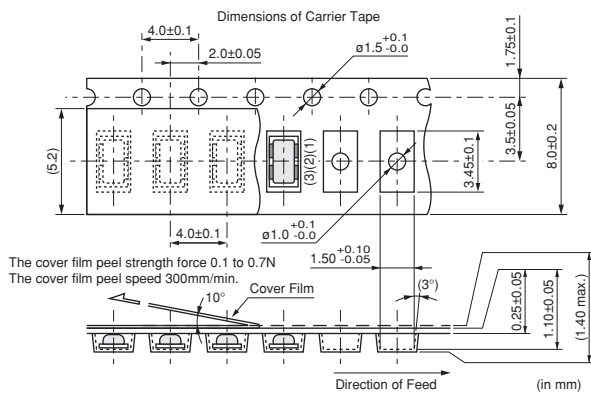
Continued on the following page. ↗

Packaging for Automotive

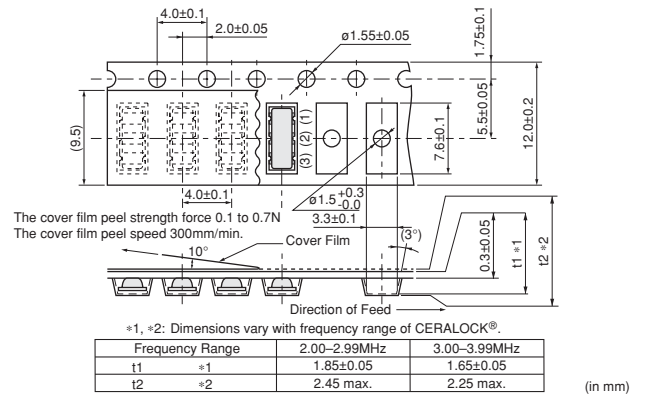
Continued from the preceding page.

Dimensions of Taping

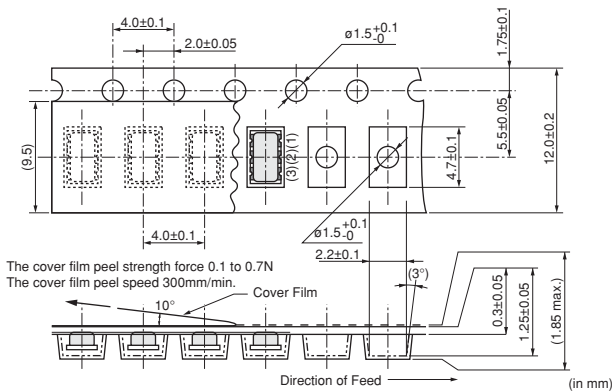
CSTCE_V13C



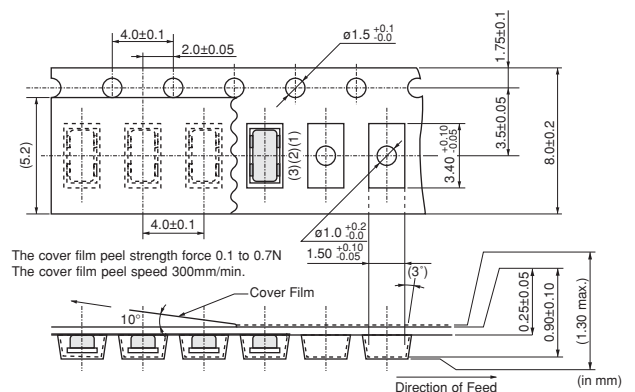
CSTCC_G_A



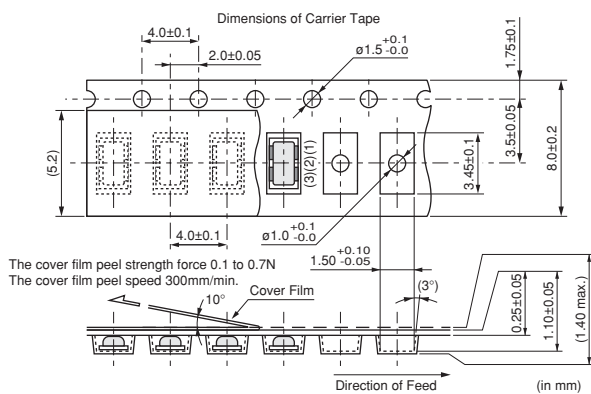
CSTCR_G_B



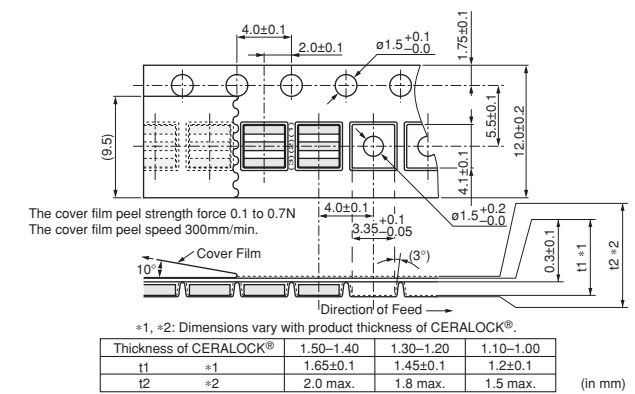
CSTCE_G_A



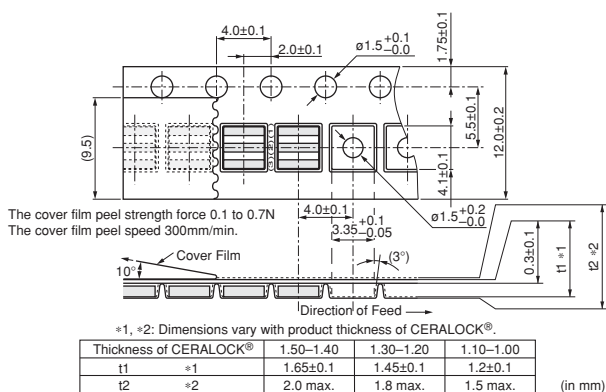
CSTCE_V_C



CSTCV_X_Q



CSACV_X_Q



Ceramic Resonators (CERALOCK®)



MHz Chip Type -Tight Frequency Tolerance for General Usage-

Chip type CERALOCK(R) with built-in load capacitors provides high accuracy in an extremely small package. MURATA's frequency adjustment and packaging technology expertise has enabled the development of the chip CERALOCK(R) with built-in load capacitors. High-density mounting is made possible by the small package and the elimination of the need for an external load capacitor.

■ Features

1. Oscillation circuits do not require external load capacitors.
2. Available in a wide frequency range.
3. Extremely small and have a low profile.
4. No adjustment is necessary for oscillation circuits.

■ Applications

1. Clock oscillators for USB (Full-speed) controller ICs
2. Audio equipment and musical instruments, etc.
3. Other applications for replacement of Crystal Oscillators

CSTCR_G15L/CSTCR_GH5L
 4.00-7.99MHz



CSTCE_G15L/CSTCE_GH5L
 8.00-13.99MHz



CSTCE_V13L/CSTCE_VH3L
 14.00-20.00MHz



CSTCW_X11
 20.01-48.00MHz



| Part Number | Oscillating Frequency (MHz) | Initial Tolerance | Temperature Stability (%) | Temperature Range (°C) |
|-------------|-----------------------------|-------------------|---------------------------|------------------------|
| CSTCR_G15L | 4.00 to 7.99 | ±0.1% | ±0.08 | 0 to 70 |
| CSTCR_GH5L | 4.00 to 7.99 | ±0.07% | ±0.08 | 0 to 70 |
| CSTCE_G15L | 8.00 to 13.99 | ±0.1% | ±0.08 | 0 to 70 |
| CSTCE_GH5L | 8.00 to 13.99 | ±0.07% | ±0.08 | 0 to 70 |
| CSTCE_V13L | 14.00 to 20.00 | ±0.1% | ±0.08 | 0 to 70 |
| CSTCE_VH3L | 14.00 to 20.00 | ±0.07% | ±0.08 | 0 to 70 |
| CSTCW_X11 | 20.01 to 48.00 | ±0.1% | ±0.1 | 0 to 70 |

Irregular or stopped oscillation may occur under unmatched circuit conditions. Please check the actual conditions prior to use.

■ Oscillation Frequency Measuring Circuit

CSTCR_G15L/CSTCR_GH5L/CSTCE_G15L/
 CSTCE_GH5L/CSTCE_V13L/CSTCE_VH3L



CSTCW_X11



■ Standard Land Pattern Dimensions

CSTCR_G15L/CSTCR_GH5L
 (* This Land Pattern is not common to CSTCR_G.)



(in mm)

CSTCE_G15L/CSTCE_GH5L



(in mm)

CSTCE_V13L/CSTCE_VH3L
 (* This Land Pattern is not common to CSTCE_V.)



(in mm)

CSTCW_X11



(in mm)

■ Oscillation Frequency Temperature Stability

CSTCR_G15L/CSTCR_GH5L



CSTCE_G15L/CSTCE_GH5L



CSTCE_V13L/CSTCE_VH3L



CSTCW_X11



3

Application Circuits Utilization

3

■ M66291GP (Renesas)

USB Transceiver



CERALOCK®: CSTCR6M00G15□□□-R0
 C1=39pF (Typ.)
 C2=39pF (Typ.)

■ MN102HF74GHL (Panasonic)

16-bit Microcontroller



H: 1-17, 22, 25, 26-42, 54, 58-60, 66-81, 83-91
 L: 19, 20, 43-53, 55-57, 61-65, 82, 92-100

CERALOCK®: CSTCE12M0G15□□□-R0
 C1=39pF (Typ.)
 C2=39pF (Typ.)

■ LC87F1964A (Sanyo)

8-bit Microcontroller



H: 8, 19, 39
 L: 5, 20, 40
 H1: 31, 33
 L1: 29, 30, 32, 34-36

CERALOCK®: CSTCE12M0G15□□□-R0
 C1=39pF (Typ.)
 C2=39pF (Typ.)

■ TUSB2046B (Texas Instruments)

USB 4-port HUB



H: 3, 25
 L: 7, 28

CERALOCK®: CSTCR6M00G15□□□-R0
 C1=39pF (Typ.)
 C2=39pF (Typ.)

■ ISP1181BDGG (Philips)

USB Controller



CERALOCK®: CSTCR6M00G15□□□-R0
 C1=39pF (Typ.)
 C2=39pF (Typ.)

Ceramic Resonators (CERALOCK®)



MHz Chip Type -Standard Frequency Tolerance for General Usage-

Chip type CERALOCK(R) with built-in load capacitors provides an extremely small package. MURATA's package technology expertise has enabled the development of the Chip CERALOCK(R) with built-in load capacitors. High-density mounting can be realized because of the small package and the elimination of the need for an external load capacitor.

■ Features

1. Oscillation circuits do not require external load capacitors.
2. Available in a wide frequency range.
3. Extremely small and have a low profile.
4. No adjustment is necessary for oscillation circuits.

■ Applications

1. Clock oscillators for microprocessors
2. Small electronic equipment such as handheld phone, digital video camcorder (DVC), digital still camera (DSC), portable audio player, etc.
3. Storage media and memory (HDD, Optical storage device, FDD, Flash memory card, etc.)
4. Office automation equipment (Mobile PC, Mouse, Keyboard, etc.)
5. Audio-visual applications (TV, DVD-HDD recorder, Audio equipment, Remote control, etc.)
6. Home appliances (Air conditioner, Microwave oven, Refrigerator, Washing machine, etc.)



CSTCC_G
 2.00-3.99MHz



CSTCR_G
 4.00-7.99MHz



CSTCE_G/CSTCE_G_Z
 8.00-13.99MHz



CSTCE_V
 14.00-20.00MHz



CSTCG_V
 20.00-33.86MHz
 (Ultra Small)



Continued on the following page. ↗

Continued from the preceding page.



| Part Number | Oscillating Frequency (MHz) | Initial Tolerance | Temperature Stability (%) | Temperature Range (°C) |
|------------------|-----------------------------|-------------------|---|------------------------|
| CSTCC_G | 2.00 to 3.99 | ±0.5% | ±0.3 [±0.4%:Built-in Capacitance 47pF type within Freq.2.00 to 3.49MHz] | -20 to 80 |
| CSTCR_G | 4.00 to 7.99 | ±0.5% | ±0.2 | -20 to 80 |
| CSTCE_G | 8.00 to 13.99 | ±0.5% | ±0.2 | -20 to 80 |
| CSTCE_G_Z | 8.00 to 13.99 | ±0.5% | ±0.2 | -40 to 125 |
| CSTCE_V | 14.00 to 20.00 | ±0.5% | ±0.3 | -20 to 80 |
| CSTCG_V | 20.00 to 33.86 | ±0.5% | ±0.3 | -20 to 80 |
| CSACW_X | 20.01 to 70.00 | ±0.5% | ±0.2 | -20 to 80 |
| CSTCW_X | 20.01 to 70.00 | ±0.5% | ±0.2 | -20 to 80 |

Irregular or stopped oscillation may occur under unmatched circuit conditions. Please check the actual conditions prior to use.

■ Oscillation Frequency Measuring Circuit

CSTCR_G/CSTCE_G/CSTCE_G_Z/CSTCE_V/CSTCG_V



CSTCC_G/CSTCW_X



CSACW_X



■ Standard Land Pattern Dimensions

CSTCC_G



(in mm)

CSTCR_G
 (* This Land Pattern is not common to CSTCR_G15C, CSTCR_G15L, CSTCR_GH5L.)



(in mm)

CSTCE_G/CSTCE_G_Z



(in mm)

CSTCE_V
 (* This Land Pattern is not common to CSTCE_V13C, CSTCE_V_C, CSTCE_V13L, CSTCE_VH3L.)



(in mm)

CSTCG_V



(in mm)

CSACW_X



(in mm)

CSTCW_X



(in mm)

4

■ Oscillation Frequency Temperature Stability

CSTCC_G



CSTCR_G



CSTCE_G/CSTCE_G_Z



CSTCE_V



CSTCG_V



CSACW_X



CSTCW_X



4

Application Circuits Utilization

■ μ PD78F0533GB (Renesas)

8-bit Microcomputer



H: 15, 16, 47
 L: 9, 13, 14, 48

CERALOCK®: CSTCR4M00G55-R0
 C1=39pF (Typ.)
 C2=39pF (Typ.)

■ TMP19A43FDXBG (Toshiba)

32-bit Microcomputer



Xin: A14
 Xout: A15

CERALOCK®: CSTCE10M0G52-R0
 C1=10pF (Typ.)
 C2=10pF (Typ.)

■ MN103SFC2D (Panasonic)

32-bit Microcomputer



H: 9, 17, 34
 L: 7, 15, 36
 Vdd2: 16, 38

CERALOCK®: CSTCR5M00G55Z-R0
 C1=39pF (Typ.)
 C2=39pF (Typ.)

■ MB95F128H (Fujitsu)

8-bit Microcomputer



H: 3, 28, 51, 79
 L: 4, 29, 54, 57

CERALOCK®: CSTCE8M00G52-R0
 C1=10pF (Typ.)
 C2=10pF (Typ.)

■ PIC16F716-I/SO (Microchip)

8-bit Microcomputer



CERALOCK®: CSTCE12M0G52-R0
 C1=10pF (Typ.)
 C2=10pF (Typ.)

■ HD64F36077GH (Renesas)

16-bit Microcomputer



H: 3, 7, 12
 L: 8, 9

CERALOCK®: CSTCE8M00G52-R0
 C1=10pF (Typ.)
 C2=10pF (Typ.)

Continued on the following page.

Application Circuits Utilization

Continued from the preceding page.

■ μ PD70F3215HYGC (Renesas) 32-bit Microcomputer



H: 1, 5, 9, 34, 70
 L: 2, 8, 11, 33, 69
 CERALOCK®: CSTCR5M00G55-R0
 C1=39pF (Typ.)
 C2=39pF (Typ.)

■ ATmega128 (Atmel) 8-bit Microcomputer



H: 21, 52, 64
 L: 22, 53, 63
 CERALOCK®: CSTCE8M00G52-R0
 C1=10pF (Typ.)
 C2=10pF (Typ.)

■ ST7FLITE29F2B6 (ST Microelectronics) 8-bit Microcomputer



H: 17
 L: 16
 CERALOCK®: CSTCE16M0V53-R0
 C1=15pF (Typ.)
 C2=15pF (Typ.)

■ TMS320F2810PBKA (Texas Instruments) 32-bit Microcomputer



H1: 20, 29, 42, 56, 63, 74, 82, 94, 99,
 100, 102, 110, 114
 H2: 1, 13, 14, 25, 49, 52, 83, 104, 118
 L: 12, 15, 17, 26, 30, 39, 53, 59, 62, 73,
 88, 95, 103, 109, 115, 117, 128
 CERALOCK®: CSTCE15M0V53-R0
 C1=15pF (Typ.)
 C2=15pF (Typ.)

Ceramic Resonators (CERALOCK®)



MHz Lead Type -Standard Frequency Tolerance for General Usage-

MURATA's ceramic resonator, CERALOCK(R) with built-in load capacitors, has been widely applied as the most suitable component for clock oscillators in a broad range of microprocessors.

The CSTLS series can be used in the design of oscillation circuits not requiring external load capacitors, enabling both high-density mounting and cost reduction.

■ Features

1. Oscillation circuits do not require external load capacitors.
 There is some variation in built-in capacitance values applicable to various ICs.
2. Stable over a wide temperature range.
3. Compact, lightweight and exhibit superior shock resistance performance.
4. Enable the design of oscillator circuits requiring no adjustment.
5. Cost-effective and reliable availability

■ Applications

1. DTMF generators
2. Clock oscillators for microcomputers
3. Remote control units
4. Automated office equipment



| Part Number | Oscillating Frequency (MHz) | Initial Tolerance | Temperature Stability (%) | Temperature Range (°C) |
|-------------|-----------------------------|-------------------|--|------------------------|
| CSTLS_G | 3.40 to 10.00 | ±0.5% | ±0.2 [-0.4% to +0.2%:Built-in Capacitance 47pF type] | -20 to 80 |
| CSTLS_X | 16.00 to 70.00 | ±0.5% | ±0.2 | -20 to 80 |

Irregular or stopped oscillation may occur under unmatched circuit conditions. Please check the actual conditions prior to use.
 The order quantity should be an integral multiple of the "Minimum Quantity" shown in the packaging page.

■ Oscillation Frequency Measuring Circuit

CSTLS_G/CSTLS_X



■ Oscillation Frequency Temperature Stability



Application Circuits Utilization

■ M38235G6HP (Renesas)

8-bit Microcomputer

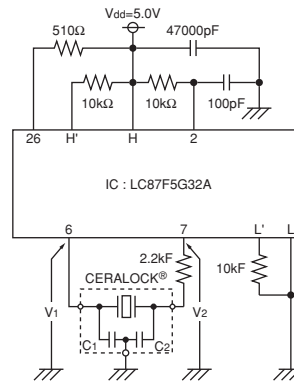


H: 71
 L: 30, 73

CERALOCK®: CSTLS8M00G53-B0
 C1=15pF (Typ.)
 C2=15pF (Typ.)

■ LC87F5G32A (Sanyo)

8-bit Microcomputer



H: 8, 19, 39
 L: 5, 20, 40
 H': 29, 31, 35
 L': 30, 32-34, 36

CERALOCK®: CSTLS5M00G53-B0
 C1=15pF (Typ.)
 C2=15pF (Typ.)

Notice for General Usage -MHz Chip Type-

■ Soldering and Mounting (CSTCC Series)

1. Soldering

(1) Reflow soldering

Please mount component on a circuit board by reflow soldering. Flow soldering is not acceptable.

Recommendable Flux and Solder

| | |
|--------|---|
| Flux | Please use rosin based flux, not water soluble flux. |
| Solder | Please use solder (Sn-3.0Ag-0.5Cu) under the following conditions: Standard thickness of soldering paste: 0.10 to 0.15mm. |

Recommendable Soldering Profile

| | | |
|------------------|--|--------------------|
| Pre-heating | 150 to 180°C | 60 to 120s |
| Heating | 220°C min. | 30 to 60s |
| Peak Temperature | upper limit: 260°C lower limit: 245°C | 1s max. 5s max. |

Temperature shall be measured on the surface of component.



(2) Soldering with Iron

If compelled to mount the component by using soldering iron, please do not directly touch the component with the soldering iron. The component terminals or electrical characteristics may be damaged if excessive thermal stress is applied.

Recommendable Soldering with Iron

| | |
|-------------------------------|-------------------------|
| Heating of the soldering iron | 350°C max. |
| Watt | 30W max. |
| Shape of the soldering iron | ø3mm max. |
| Soldering Time | 5s max. at one terminal |
| Solder | Sn-3.0Ag-0.5Cu |

(3) Solder Volume

Please make the solder volume less than the height of the substrate to avoid damage to the seal between the metal cap and the substrate.

(4) Other

Do not reuse components removed from a circuit board after soldering.

(5) Conditions for Placement Machines

The component is recommended with placement machines that employ optical placement capabilities. The component may be damaged by excessive mechanical force. Please make sure that you have evaluated by using placement machines before going into mass production. Do not use placement machines that utilize mechanical positioning. Please contact Murata for details beforehand.

Continued on the following page.

Notice for General Usage -MHz Chip Type-

☐ Continued from the preceding page.

2. Wash

Some series do not withstand washing.
 Please check the list at right before use.

| Series | Wash |
|--------------------------------|---------------|
| CSTCC (2.00 to 3.49MHz) | Not Available |
| CSTCC (3.50 to 3.99MHz) | Available |

(1) Cleaning Solvents

HCFC, Isopropanol, Tap water, Demineralized water,
 Cleanthrough750H, Pine alpha 100S, Techno care FRW

(2) Temperature Difference : dT *1

$dT \leq 60^{\circ}\text{C}$ (dT=Component-solvent)

*1 ex. If the component is immersed at $+90^{\circ}\text{C}$ into
 cleaning solvent at $+60^{\circ}\text{C}$, then $dT=30^{\circ}\text{C}$.

(3) Conditions

(a) Ultrasonic Wash

1 minute max. in above solvent at $+60^{\circ}\text{C}$ max.
 (Frequency: 28kHz, Output: 20W/l)

(b) Immersion Wash

5 minutes max. in above solvent at $+60^{\circ}\text{C}$ max.

(c) Shower or Rinse Wash

5 minutes max. in above solvent at $+60^{\circ}\text{C}$ max.

(4) Drying

5 minutes max. by air blowing at $+80^{\circ}\text{C}$ max.

(5) Other

(a) Total washing time should be within 10 minutes.

(b) The component may be damaged if it is washed with
 chlorine, petroleum, or alkali cleaning solvent.

3. Coating

Conformal coating of the component is acceptable.
 However, the resin material, curing temperature, and
 other process conditions should be evaluated to confirm
 stable electrical characteristics are maintained.

Notice for General Usage -MHz Chip Type-

■ Soldering and Mounting (CSTCR/CSTCE_V/CSTCG/CSTCE_G Series)

1. Soldering

(1) Reflow soldering

Please mount component on a circuit board by reflow soldering. Flow soldering is not acceptable.

Recommendable Flux and Solder

| | |
|--------|---|
| Flux | Please use rosin based flux, not water soluble flux. |
| Solder | Please use solder (Sn-3.0Ag-0.5Cu) under the following conditions: Standard thickness of soldering paste: 0.10 to 0.15mm. |

Recommendable Soldering Profile

| | | |
|------------------|--------------------|------------|
| Pre-heating | 150 to 180°C | 60 to 120s |
| Heating | 220°C min. | 30 to 60s |
| Peak Temperature | upper limit: 260°C | 1s max. |
| | lower limit: 245°C | 5s max. |

Temperature shall be measured on the surface of component.



(2) Soldering with Iron

If compelled to mount the component by using soldering iron, please do not directly touch the component with the soldering iron. The component terminals or electrical characteristics may be damaged if excessive thermal stress is applied.

Recommendable Soldering with Iron

| | |
|-------------------------------|-------------------------|
| Heating of the soldering iron | 350°C max. |
| Watt | 30W max. |
| Shape of the soldering iron | ø3mm max. |
| Soldering Time | 5s max. at one terminal |
| Solder | Sn-3.0Ag-0.5Cu |

(3) Solder Volume

Please make the solder volume less than the height of the substrate to avoid damage to the seal between the metal cap and the substrate.

(4) Other

Do not reuse components removed from a circuit board after soldering.

(5) Conditions for Placement Machines

The component is recommended with placement machines that employ optical placement capabilities. The component may be damaged by excessive mechanical force. Please make sure that you have evaluated by using placement machines before going into mass production. Do not use placement machines that utilize mechanical positioning. Please contact Murata for details beforehand.

2. Washing / Coating

Conformal coating or washing of the component is not acceptable, because it is not hermetically sealed.

Please contact us if you need a washable component.

Continued on the following page.

Notice for General Usage -MHz Chip Type-

☐ Continued from the preceding page.

■ Soldering and Mounting (CSACW/CSTCW Series)

1. Soldering

(1) Reflow soldering

Please mount component on a circuit board by reflow soldering. Flow soldering is not acceptable.

Recommendable Flux and Solder

| | |
|---------------|---|
| Flux | Please use rosin based flux, not water soluble flux. |
| Solder | Please use solder (Sn-3.0Ag-0.5Cu) under the following conditions: Standard thickness of soldering paste: 0.10 to 0.15mm. |

Recommendable Soldering Profile

| | | |
|-------------------------|--------------------|------------|
| Pre-heating | 150 to 180°C | 60 to 120s |
| Heating | 220°C min. | 30 to 60s |
| Peak Temperature | upper limit: 260°C | 1s max. |
| | lower limit: 245°C | 5s max. |

Temperature shall be measured on the surface of component.



(2) Soldering with Iron

If compelled to mount the component by using soldering iron, please do not directly touch the component with the soldering iron. The component terminals or electrical characteristics may be damaged if excessive thermal stress is applied.

Recommendable Soldering with Iron

| | |
|--------------------------------------|-------------------------|
| Heating of the soldering iron | 350°C max. |
| Watt | 30W max. |
| Shape of the soldering iron | ø3mm max. |
| Soldering Time | 5s max. at one terminal |
| Solder | Sn-3.0Ag-0.5Cu |

(3) Other

Do not reuse components removed from a circuit board after soldering.

(4) Conditions for Placement Machines

The component is recommended with placement machines that employ optical placement capabilities. The component may be damaged by excessive mechanical force. Please make sure that you have evaluated by using placement machines before going into mass production. Do not use placement machines that utilize mechanical positioning. Please contact Murata for details beforehand.

2. Washing / Coating

Conformal coating or washing of the component is not acceptable, because it is not hermetically sealed.

Please contact us if you need a washable component.

Notice for General Usage -MHz Chip Type-

■ Storage and Operating Conditions

1. Product Storage Conditions

Please store the products in a room where the temperature/humidity is stable, and avoid such places where there are large temperature changes. Please store the products under the following conditions:

Temperature: -10 to +40°C

Humidity: 15 to 85% R.H.

2. Expiration Date on Storage

Expiration date (Shelf life) of the products is six months after delivery under the conditions of a sealed and unopened package. Please use the products within six months after delivery. If you store the products for a long time (more than six months), use carefully because the products may be degraded in solderability and/or rusty.

Please confirm solderability and characteristics for the products regularly.

3. Notice on Product Storage

- (1) Please do not store the products in a chemical atmosphere (Acids, Alkali, Bases, Organic gas, Sulfides and so on), because the characteristics may be reduced in quality, and/or be degraded in the solderability due to the storage in a chemical atmosphere.

- (2) Please do not put the products directly on the floor without anything under them to avoid damp and/or dusty places.

- (3) Please do not store the products in places such as: in a damp heated place, in a place where direct sunlight comes in, in a place applying vibrations.

- (4) Please use the products immediately after the package is opened, because the characteristics may be reduced in quality, and/or be degraded in the solderability due to storage under the poor conditions.

- (5) Please do not drop the products to avoid cracking of ceramic elements.

4. Other

Conformal coating or washing of the component is not acceptable because it is not hermetically sealed.

Please be sure to consult with our sales representatives or engineers whenever and prior to using the products.

■ Rating

The component may be damaged if excessive mechanical stress is applied.

■ Handling

"CERALOCK" may stop oscillating or oscillate irregularly under improper circuit conditions.

Notice for General Usage -MHz Lead Type-

■ Soldering and Mounting

The component cannot withstand washing.

Please do not apply excessive mechanical stress to the component and lead terminals during soldering.

■ Storage and Operating Conditions

1. Product Storage Conditions

Please store the products in a room where the temperature/humidity is stable, and avoid such places where there are large temperature changes. Please store the products under the following conditions:

Temperature: -10 to +40°C

Humidity: 15 to 85% R.H.

2. Expiration Date on Storage

Expiration date (Shelf life) of the products is six months after delivery under the conditions of a sealed and unopened package. Please use the products within six months after delivery. If you store the products for a long time (more than six months), use carefully because the products may be degraded in solderability and/or rusty.

Please confirm solderability and characteristics for the products regularly.

3. Notice on Product Storage

- (1) Please do not store the products in a chemical atmosphere (Acids, Alkali, Bases, Organic gas, Sulfides and so on), because the characteristics may be reduced in quality, and/or be degraded in the solderability due to the storage in a chemical atmosphere.

- (2) Please do not put the products directly on the floor without anything under them to avoid damp and/or dusty places.

- (3) Please do not store the products in places such as: in a damp heated place, in a place where direct sunlight comes in, in a place applying vibrations.

- (4) Please use the products immediately after the package is opened, because the characteristics may be reduced in quality, and/or be degraded in the solderability due to storage under the poor conditions.

- (5) Please do not drop the products to avoid cracking of ceramic elements.

4. Other

Conformal coating or washing of the component is not acceptable because it is not hermetically sealed.

Please be sure to consult with our sales representatives or engineers whenever and prior to using the products.

■ Rating

The component may be damaged if excessive mechanical stress is applied.

■ Handling

"CERALOCK" may stop oscillating or oscillate irregularly under improper circuit conditions.

Packaging for General Usage -MHz Chip Type-

Minimum Quantity

| Part Number | Plastic Tape ø180mm | Plastic Tape ø330mm | Bulk | Dimensions |
|-------------|---------------------|---------------------|------|------------|
| CSTCC_G | 2,000 | 6,000 | 500 | a |
| CSTCR_G | 3,000 | 9,000 | 500 | a |
| CSTCR_G15L | 3,000 | 9,000 | 500 | a |
| CSTCR_GH5L | 3,000 | 9,000 | 500 | b |
| CSTCE_G | 3,000 | 9,000 | 500 | b |
| CSTCE_G15L | 3,000 | 9,000 | 500 | b |
| CSTCE_GH5L | 3,000 | 9,000 | 500 | b |
| CSTCE_V | 3,000 | 9,000 | 500 | b |
| CSTCE_V13L | 3,000 | 9,000 | 500 | b |
| CSTCE_VH3L | 3,000 | 9,000 | 500 | b |
| CSTCG_V | 3,000 | 9,000 | 500 | b |
| CSTCW_X | 3,000 | 9,000 | 500 | b |
| CSTCW_X11 | 3,000 | 9,000 | 500 | b |
| CSACW_X | 3,000 | 9,000 | 500 | b |

The order quantity should be an integral multiple of the "Minimum Quantity" shown above.

(pcs.)

Dimensions of Reel



Dimensions of Taping

CSTCR_G15L/CSTCR_GH5L



CSTCE_G15L/CSTCE_GH5L



Continued on the following page. ↗

Packaging for General Usage -MHz Chip Type-

☐ Continued from the preceding page.

■ Dimensions of Taping

CSTCE_V13L/CSTCE_VH3L



CSTCW_X11



CSTCC_G



CSTCR_G



CSTCE_G



CSTCE_V



CSTCG_V



CSACW_X



Continued on the following page. ☐

Packaging for General Usage -MHz Chip Type-

☐ Continued from the preceding page.

■ Dimensions of Taping

GSTCW_X



*1, *2: Dimensions vary with product thickness of CERALOCK®.

| Thickness of CERALOCK® | | 1.40-1.20 | 1.15-1.00 | 0.95-0.90 |
|------------------------|----|-----------|-----------|-----------|
| t1 | *1 | 1.48±0.1 | 1.30±0.1 | 1.12±0.1 |
| t2 | *2 | 2.1 max. | 1.9 max. | 1.7 max. |

(in mm)

Packaging for General Usage -MHz Lead Type-

■ Minimum Quantity

| Part Number | Ammo Pack | Bulk |
|-----------------------------|-----------|------|
| CSTLS_G (3.40 to 10.0MHz) | 2,000 | 500 |
| CSTLS_X (16.00 to 70.00MHz) | 2,000 | 500 |

The order quantity should be an integral multiple of the "Minimum Quantity" shown above.

(pcs.)

■ Tape Dimensions of CSTLS_G



| Item | Code | Dimensions | Tolerance | Remarks |
|---|----------------|------------|------------|--|
| Width of diameter | D | 8.0 | ±1.0 | |
| Height of resonator | A | 5.5 | ±0.5 | |
| Dimensions of terminal | d | ø0.48 | ±0.05 | |
| Lead length under the hold down tape | L ₁ | 5.0 min. | — | |
| Pitch of component | P | 12.7 | ±0.5 | Tolerance for Pitches 10xP ₀ =127±1 |
| Pitch of sprocket hole | P ₀ | 12.7 | ±0.2 | |
| Length from sprocket hole center to lead | P ₁ | 3.85 | ±0.5 | |
| Length from sprocket hole center to component center | P ₂ | 6.35 | ±0.5 | |
| Lead spacing (I) | F ₁ | 2.5 | ±0.2 | |
| Lead spacing (II) | F ₂ | 2.5 | ±0.2 | |
| Slant forward or backward | dh | 0 | ±1.0 | 1mm max. |
| Width of carrier tape | W | 18.0 | ±0.5 | |
| Width of hold down tape | W ₀ | 6.0 min. | — | Hold down tape does not exceed the carrier tape. |
| Position of sprocket hole | W ₁ | 9.0 | ±0.5 | |
| Gap of hold down tape and carrier tape | W ₂ | 0 | +0.5 -0 | |
| Distance between the center of sprocket hole and lead stopper | H ₀ | 18.0 | ±0.5 | |
| Total height of resonator | H ₁ | 23.5 | ±1.0 | |
| Diameter of sprocket hole | D ₀ | ø4.0 | ±0.2 | |
| Total tape thickness | t | 0.6 | ±0.2 | |
| Body tilt | dS | 0 | ±1.0 | |

(in mm)

Continued on the following page.

Packaging for General Usage -MHz Lead Type-

Continued from the preceding page.

■ Tape Dimensions of CSTLS_X



| Item | Code | Dimensions | Tolerance | Remarks |
|---|------|------------|--------------|--|
| Width of diameter | D | 5.5 | ±1.0 | |
| Height of resonator | A | 6.5 | ±0.5 | |
| Dimensions of terminal | d | ø0.48 | ±0.05 | |
| Lead length under the hold down tape | L1 | 5.0 min. | — | |
| Pitch of component | P | 12.7 | ±0.5 | Tolerance for Pitches 10xP0=127±1 |
| Pitch of sprocket hole | P0 | 12.7 | ±0.2 | |
| Length from sprocket hole center to lead | P1 | 3.85 | ±0.5 | |
| Length from sprocket hole center to component center | P2 | 6.35 | ±0.5 | |
| Lead spacing (I) | F1 | 2.5 | ±0.2 | |
| Lead spacing (II) | F2 | 2.5 | ±0.2 | |
| Slant forward or backward | dh | 0 | ±1.0 | 1mm max. |
| Width of carrier tape | W | 18.0 | ±0.5 | |
| Width of hold down tape | W0 | 6.0 min. | — | Hold down tape does not exceed the carrier tape. |
| Position of sprocket hole | W1 | 9.0 | ±0.5 | |
| Gap of hold down tape and carrier tape | W2 | 0 | +0.5 -0.0 | |
| Distance between the center of sprocket hole and lead stopper | H0 | 18.0 | ±0.5 | |
| Total height of resonator | H1 | 24.5 | ±1.0 | |
| Diameter of sprocket hole | D0 | ø4.0 | ±0.2 | |
| Total tape thickness | t | 0.6 | ±0.2 | |
| Body tilt | dS | 0 | ±1.0 | |

(in mm)

⚠Note:

1. Export Control

<For customers outside Japan>

No Murata products should be used or sold, through any channels, for use in the design, development, production, utilization, maintenance or operation of, or otherwise contribution to (1) any weapons (Weapons of Mass Destruction [nuclear, chemical or biological weapons or missiles] or conventional weapons) or (2) goods or systems specially designed or intended for military end-use or utilization by military end-users.

<For customers in Japan>

For products which are controlled items subject to the "Foreign Exchange and Foreign Trade Law" of Japan, the export license specified by the law is required for export.

2. Please contact our sales representatives or product engineers before using the products in this catalog for the applications listed below, which require especially high reliability for the prevention of defects which might directly damage a third party's life, body or property, or when one of our products is intended for use in applications other than those specified in this catalog.

- | | |
|-----------------------------|--|
| ① Aircraft equipment | ② Aerospace equipment |
| ③ Undersea equipment | ④ Power plant equipment |
| ⑤ Medical equipment | ⑥ Transportation equipment (vehicles, trains, ships, etc.) |
| ⑦ Traffic signal equipment | ⑧ Disaster prevention / crime prevention equipment |
| ⑨ Data-processing equipment | ⑩ Application of similar complexity and/or reliability requirements to the applications listed above |

3. Product specifications in this catalog are as of September 2012. They are subject to change or our products in it may be discontinued without advance notice.

Please check with our sales representatives or product engineers before ordering. If there are any questions, please contact our sales representatives or product engineers.

4. Please read rating and ⚠CAUTION (for storage, operating, rating, soldering, mounting and handling) in this catalog to prevent smoking and/or burning, etc.

5. This catalog has only typical specifications. Therefore, please approve our product specifications or transact the approval sheet for product specifications before ordering.

6. Please note that unless otherwise specified, we shall assume no responsibility whatsoever for any conflict or dispute that may occur in connection with the effect of our and/or a third party's intellectual property rights and other related rights in consideration of your use of our products and/or information described or contained in our catalogs. In this connection, no representation shall be made to the effect that any third parties are authorized to use the rights mentioned above under licenses without our consent.

7. No ozone depleting substances (ODS) under the Montreal Protocol are used in our manufacturing process.

Компания «Life Electronics» занимается поставками электронных компонентов импортного и отечественного производства от производителей и со складов крупных дистрибьюторов Европы, Америки и Азии.

С конца 2013 года компания активно расширяет линейку поставок компонентов по направлению коаксиальный кабель, кварцевые генераторы и конденсаторы (керамические, пленочные, электролитические), за счёт заключения дистрибьюторских договоров

Мы предлагаем:

- Конкурентоспособные цены и скидки постоянным клиентам.
- Специальные условия для постоянных клиентов.
- Подбор аналогов.
- Поставку компонентов в любых объемах, удовлетворяющих вашим потребностям.
- Приемлемые сроки поставки, возможна ускоренная поставка.
- Доставку товара в любую точку России и стран СНГ.
- Комплексную поставку.
- Работу по проектам и поставку образцов.
- Формирование склада под заказчика.
- Сертификаты соответствия на поставляемую продукцию (по желанию клиента).
- Тестирование поставляемой продукции.
- Поставку компонентов, требующих военную и космическую приемку.
- Входной контроль качества.
- Наличие сертификата ISO.

В составе нашей компании организован Конструкторский отдел, призванный помогать разработчикам, и инженерам.

Конструкторский отдел помогает осуществить:

- Регистрацию проекта у производителя компонентов.
- Техническую поддержку проекта.
- Защиту от снятия компонента с производства.
- Оценку стоимости проекта по компонентам.
- Изготовление тестовой платы монтаж и пусконаладочные работы.



Тел: +7 (812) 336 43 04 (многоканальный)

Email: org@lifeelectronics.ru