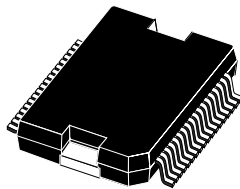
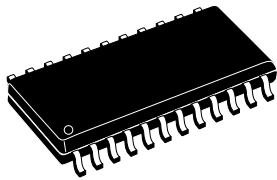


**DMOS driver for bipolar stepper motor**

Datasheet - production data

**PowerSO36****SO24  
(20 + 2 + 2)**

Ordering numbers:

**L6208PD (PowerSO36)  
L6208D (SO24)**

- Decoding logic for stepper motor full and half step drive
- Cross conduction protection
- Thermal shutdown
- Undervoltage lockout
- Integrated fast freewheeling diodes

**Applications**

- Bipolar stepper motor

**Description**

The L6208 device is a DMOS fully integrated stepper motor driver with non-dissipative overcurrent protection, realized in BCD technology, which combines isolated DMOS power transistors with CMOS and bipolar circuits on the same chip. The device includes all the circuitry needed to drive a two phase bipolar stepper motor including: a dual DMOS full bridge, the constant off time PWM current controller that performs the chopping regulation and the phase sequence generator, that generates the stepping sequence. Available in PowerSO36 and SO24 (20 + 2 + 2) packages, the L6208 device features a non-dissipative overcurrent protection on the high-side power MOSFETs and thermal shutdown.

**Features**

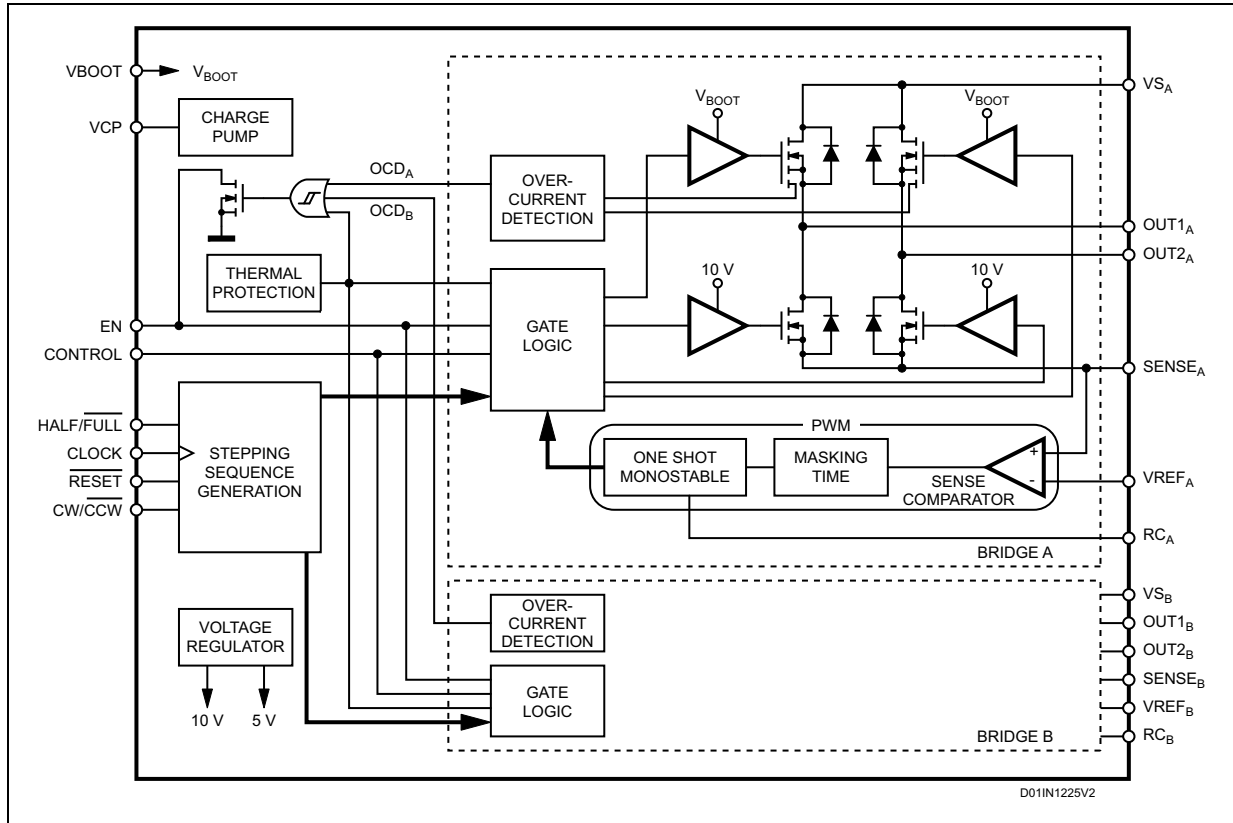
- Operating supply voltage from 8 to 52 V
- 5.6 A output peak current (2.8 A RMS)
- $R_{DS(ON)}$  0.3  $\Omega$  typ. value at  $T_j = 25^\circ\text{C}$
- Operating frequency up to 100 KHz
- Non-dissipative overcurrent protection
- Dual independent constant  $t_{OFF}$  PWM current controllers
- Fast/slow decay mode selection
- Fast decay quasi-synchronous rectification

# Contents

|           |  |           |
|-----------|--|-----------|
| <b>1</b>  | <b>Block diagram</b> .....                               | <b>3</b>  |
| <b>2</b>  | <b>Maximum ratings</b> .....                             | <b>4</b>  |
| <b>3</b>  | <b>Pin connections</b> .....                             | <b>6</b>  |
| <b>4</b>  | <b>Electrical characteristics</b> .....                  | <b>8</b>  |
| <b>5</b>  | <b>Circuit description</b> .....                         | <b>12</b> |
| 5.1       | Power stages and charge pump .....                       | 12        |
| 5.2       | Logic inputs .....                                       | 13        |
| <b>6</b>  | <b>PWM current control</b> .....                         | <b>14</b> |
| <b>7</b>  | <b>Decay modes</b> .....                                 | <b>18</b> |
| 7.1       | Stepping sequence generation .....                       | 19        |
| 7.2       | Half step mode .....                                     | 19        |
| 7.3       | Normal drive mode (full step two phase on) .....         | 19        |
| 7.4       | Wave drive mode (full step one phase on) .....           | 19        |
| 7.5       | Non-dissipative overcurrent protection .....             | 21        |
| 7.6       | Thermal protection .....                                 | 23        |
| <b>8</b>  | <b>Application information</b> .....                     | <b>24</b> |
| 8.1       | Output current capability and IC power dissipation ..... | 25        |
| 8.2       | Thermal management .....                                 | 27        |
| <b>9</b>  | <b>Package information</b> .....                         | <b>30</b> |
| 9.1       | PowerSO36 package information .....                      | 30        |
| 9.2       | SO24 package information .....                           | 32        |
| <b>10</b> | <b>Revision history</b> .....                            | <b>33</b> |

# 1 Block diagram

Figure 1. Block diagram



D01IN1225V2

## 2 Maximum ratings

**Table 1. Absolute maximum ratings**

| Symbol                   | Parameter  | Test conditions  | Value      | Unit |
|--------------------------|--|--|------------|------|
| $V_S$                    | Supply voltage   | $V_{SA} = V_{SB} = V_S$  | 60         | V    |
| $V_{OD}$                 | Differential voltage between $V_{SA}$ , OUT1 <sub>A</sub> , OUT2 <sub>A</sub> , SENSE <sub>A</sub> and $V_{SB}$ , OUT1 <sub>B</sub> , OUT2 <sub>B</sub> , SENSE <sub>B</sub> | $V_{SA} = V_{SB} = V_S = 60\text{ V};$<br>$V_{SENSEA} = V_{SENSEB} = \text{GND}$ | 60         | V    |
| $V_{BOOT}$               | Bootstrap peak voltage   | $V_{SA} = V_{SB} = V_S$  | $V_S + 10$ | V    |
| $V_{IN}, V_{EN}$         | Input and enable voltage range   | -  | -0.3 to +7 | V    |
| $V_{REFA}, V_{REFB}$     | Voltage range at pins $V_{REFA}$ and $V_{REFB}$  | -  | -0.3 to +7 | V    |
| $V_{RCA}, V_{RCB}$       | Voltage range at pins $RC_A$ and $RC_B$  | -  | -0.3 to +7 | V    |
| $V_{SENSEA}, V_{SENSEB}$ | Voltage range at pins SENSE <sub>A</sub> and SENSE <sub>B</sub>  | -  | -1 to +4   | V    |
| $I_{S(\text{peak})}$     | Pulsed supply current (for each $V_S$ pin), internally limited by the overcurrent protection   | $V_{SA} = V_{SB} = V_S;$<br>$t_{PULSE} < 1\text{ ms}$                            | 7.1        | A    |
| $I_S$                    | RMS supply current (for each $V_S$ pin)  | $V_{SA} = V_{SB} = V_S$  | 2.8        | A    |
| $T_{stg}, T_{OP}$        | Storage and operating temperature range  | -  | -40 to 150 | °C   |

**Table 2. Recommended operating conditions**

| Symbol                   | Parameter  | Test conditions                                       | Min.     | Max.   | Unit   |
|--------------------------|--|---|----------|--------|--------|
| $V_S$                    | Supply voltage   | $V_{SA} = V_{SB} = V_S$                               | 8        | 52     | V      |
| $V_{OD}$                 | Differential voltage between $V_{SA}$ , OUT1 <sub>A</sub> , OUT2 <sub>A</sub> , SENSE <sub>A</sub> and $V_{SB}$ , OUT1 <sub>B</sub> , OUT2 <sub>B</sub> , SENSE <sub>B</sub> | $V_{SA} = V_{SB} = V_S;$<br>$V_{SENSEA} = V_{SENSEB}$ | -        | 52     | V      |
| $V_{REFA}, V_{REFB}$     | Voltage range at pins $V_{REFA}$ and $V_{REFB}$  | -   | -0.1     | 5      | V      |
| $V_{SENSEA}, V_{SENSEB}$ | Voltage range at pins SENSE <sub>A</sub> and SENSE <sub>B</sub>  | (pulsed $t_W < t_{rr}$ )<br>(DC)                      | -6<br>-1 | 6<br>1 | V<br>V |
| $I_{OUT}$                | RMS output current   | -   | -        | 2.8    | A      |
| $f_{sw}$                 | Switching frequency  | -   | -        | 100    | KHz    |

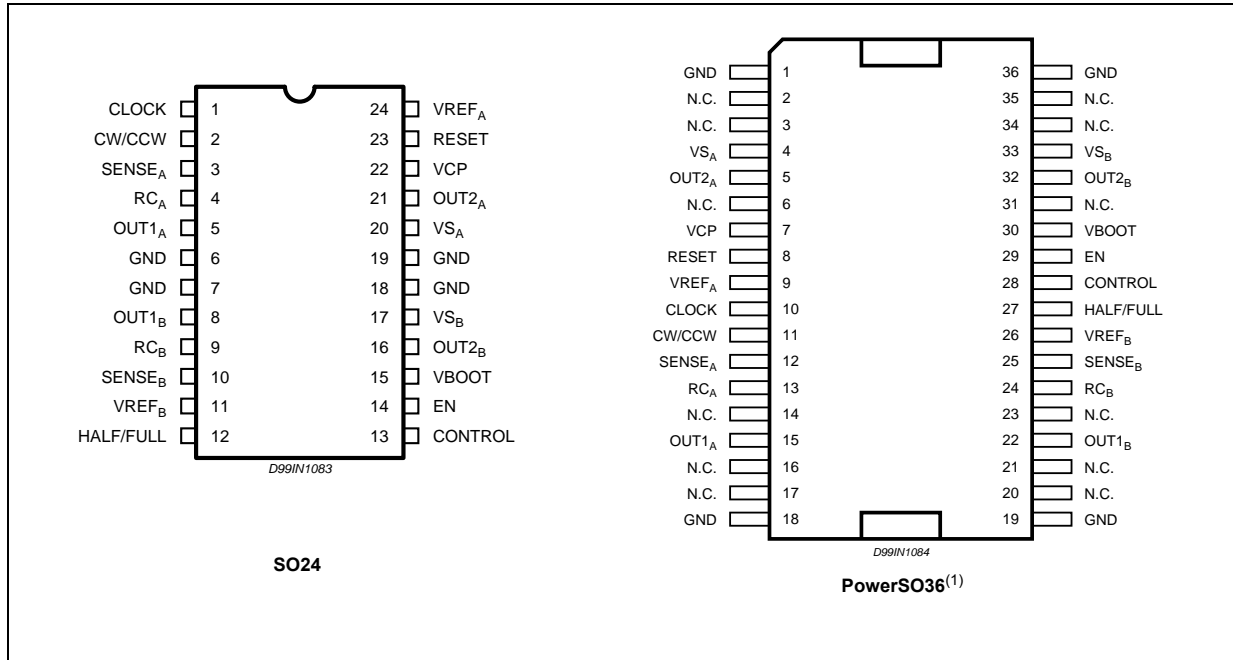
Table 3. Thermal data

| Symbol          | Description  | SO24 | PowerSO36 | Unit |
|-----------------|--|------|-----------|------|
| $R_{th-j-pins}$ | Maximum thermal resistance junction pins                   | 14   | -         | °C/W |
| $R_{th-j-case}$ | Maximum thermal resistance junction case                   | -    | 1         | °C/W |
| $R_{th-j-amb1}$ | Maximum thermal resistance junction ambient <sup>(1)</sup> | 51   | -         | °C/W |
| $R_{th-j-amb1}$ | Maximum thermal resistance junction ambient <sup>(2)</sup> | -    | 35        | °C/W |
| $R_{th-j-amb1}$ | Maximum thermal resistance junction ambient <sup>(3)</sup> | -    | 15        | °C/W |
| $R_{th-j-amb2}$ | Maximum thermal resistance junction ambient <sup>(4)</sup> | 77   | 62        | °C/W |

1. Mounted on a multilayer FR4 PCB with a dissipating copper surface on the bottom side of 6 cm<sup>2</sup> (with a thickness of 35 μm).
2. Mounted on a multilayer FR4 PCB with a dissipating copper surface on the top side of 6 cm<sup>2</sup> (with a thickness of 35 μm).
3. Mounted on a multilayer FR4 PCB with a dissipating copper surface on the top side of 6 cm<sup>2</sup> (with a thickness of 35 μm), 16 via holes and a ground layer.
4. Mounted on a multilayer FR4 PCB without any heat sinking surface on the board.

### 3 Pin connections

Figure 2. Pin connections (top view)



1. The slug is internally connected to pins 1, 18, 19 and 36 (GND pins).

Table 4. Pin description

| Package      |               | Name               | Type         | Function  |
|--------------|---------------|--------------------|--------------|---|
| SO24         | PowerSO36     |                    |              |   |
| Pin no.      | Pin no.       |                    |              |   |
| 1            | 10            | CLOCK              | Logic input  | Step clock input. The state machine makes one step on each rising edge.   |
| 2            | 11            | CW/CCW             | Logic input  | Selects the direction of the rotation. HIGH logic level sets clockwise direction, whereas LOW logic level sets counterclockwise direction.<br>If not used, it has to be connected to GND or +5 V. |
| 3            | 12            | SENSE <sub>A</sub> | Power supply | Bridge A source pin. This pin must be connected to power ground through a sensing power resistor.   |
| 4            | 13            | RC <sub>A</sub>    | RC pin       | RC network pin. A parallel RC network connected between this pin and ground sets the current controller OFF-time of the bridge A.   |
| 5            | 15            | OUT1 <sub>A</sub>  | Power output | Bridge A output 1.  |
| 6, 7, 18, 19 | 1, 18, 19, 36 | GND                | GND          | Ground terminals. In SO24 package, these pins are also used for heat dissipation toward the PCB. On PowerSO36 package the slug is connected to these pins.  |

Table 4. Pin description (continued)

| Package |           | Name               | Type                       | Function  |
|---------|-----------|--------------------|----------------------------|---|
| SO24    | PowerSO36 |                    |                            |   |
| Pin no. | Pin no.   |                    |                            |   |
| 8       | 22        | OUT1 <sub>B</sub>  | Power output               | Bridge B output 1.  |
| 9       | 24        | RC <sub>B</sub>    | RC pin                     | RC network pin. A parallel RC network connected between this pin and ground sets the current controller OFF-time of the bridge B.   |
| 10      | 25        | SENSE <sub>B</sub> | Power supply               | Bridge B source pin. This pin must be connected to power ground through a sensing power resistor.   |
| 11      | 26        | VREF <sub>B</sub>  | Analog input               | Bridge B current controller reference voltage. Do not leave this pin open or connected to GND.  |
| 12      | 27        | HALF/FULL          | Logic input                | Step mode selector. HIGH logic level sets HALF STEP mode, LOW logic level sets FULL STEP mode. If not used, it has to be connected to GND or +5 V.  |
| 13      | 28        | CONTROL            | Logic input                | Decay mode selector. HIGH logic level sets SLOW DECAY mode. LOW logic level sets FAST DECAY mode. If not used, it has to be connected to GND or +5 V.   |
| 14      | 29        | EN                 | Logic input <sup>(1)</sup> | Chip enable. LOW logic level switches OFF all power MOSFETs of both bridge A and bridge B. This pin is also connected to the collector of the overcurrent and thermal protection to implement overcurrent protection. If not used, it has to be connected to +5 V through a resistor. |
| 15      | 30        | VBOOT              | Supply voltage             | Bootstrap voltage needed for driving the upper power MOSFETs of both bridge A and bridge B.   |
| 16      | 32        | OUT2 <sub>B</sub>  | Power output               | Bridge B output 2.  |
| 17      | 33        | VS <sub>B</sub>    | Power supply               | Bridge B power supply voltage. It must be connected to the Supply Voltage together with pin VS <sub>A</sub> .   |
| 20      | 4         | VS <sub>A</sub>    | Power supply               | Bridge A power supply voltage. It must be connected to the supply voltage together with pin VS <sub>B</sub> .   |
| 21      | 5         | OUT2 <sub>A</sub>  | Power output               | Bridge A output 2.  |
| 22      | 7         | VCP                | Output                     | Charge pump oscillator output.  |
| 23      | 8         | RESET              | Logic input                | Reset pin. LOW logic level restores the <i>home</i> state (state 1) on the phase sequence generator state machine. If not used, it has to be connected to +5 V.   |
| 24      | 9         | VREF <sub>A</sub>  | Analog input               | Bridge A current controller reference voltage. Do not leave this pin open or connected to GND.  |

1. Also connected at the output drain of the overcurrent and thermal protection MOSFET. Therefore, it has to be driven putting in series a resistor with a value in the range of 2.2 K $\Omega$  - 180 K $\Omega$ , recommended 100 K $\Omega$ .

## 4 Electrical characteristics

**Table 5. Electrical characteristics**  
( $T_{amb} = 25\text{ °C}$ ,  $V_S = 48\text{ V}$ , unless otherwise specified)

| Symbol   | Parameter   | Test conditions  | Min.  | Typ. | Max. | Unit |
|--|---|--|-------|------|------|------|
| $V_{Sth(ON)}$  | Turn-on threshold                                   | -  | 6.6   | 7    | 7.4  | V    |
| $V_{Sth(OFF)}$   | Turn-off threshold                                  | -  | 5.6   | 6    | 6.4  | V    |
| $I_S$  | Quiescent supply current                            | All bridges OFF;<br>$T_j = -25\text{ °C}$ to $125\text{ °C}^{(1)}$ | -     | 5    | 10   | mA   |
| $T_{j(OFF)}$   | Thermal shutdown temperature                        | -  | -     | 165  | -    | °C   |
| <b>Output DMOS transistors</b>                                     |   |  |       |      |      |      |
| $R_{DS(ON)}$   | High-side switch ON resistance                      | $T_j = 25\text{ °C}$   | -     | 0.34 | 0.4  | W    |
|  |   | $T_j = 125\text{ °C}^{(1)}$  | -     | 0.53 | 0.59 | W    |
|  | Low-side switch ON resistance                       | $T_j = 25\text{ °C}$   | -     | 0.28 | 0.34 | W    |
|  |   | $T_j = 125\text{ °C}^{(1)}$  | -     | 0.47 | 0.53 | W    |
| $I_{DSS}$  | Leakage current                                     | EN = low; OUT = $V_S$  | -     | -    | 2    | mA   |
|  |   | EN = low; OUT = GND  | -0.15 | -    | -    | mA   |
| <b>Source drain diodes</b>   |   |  |       |      |      |      |
| $V_{SD}$   | Forward ON voltage                                  | $I_{SD} = 2.8\text{ A}$ , EN = LOW                                 | -     | 1.15 | 1.3  | V    |
| $t_{rr}$   | Reverse recovery time                               | $I_f = 2.8\text{ A}$   | -     | 300  | -    | ns   |
| $t_{fr}$   | Forward recovery time                               | -  | -     | 200  | -    | ns   |
| <b>Logic inputs (EN, CONTROL, HALF/FULL, CLOCK, RESET, CW/CCW)</b> |   |  |       |      |      |      |
| $V_{IL}$   | Low level logic input voltage                       | -  | -0.3  | -    | 0.8  | V    |
| $V_{IH}$   | High level logic input voltage                      | -  | 2     | -    | 7    | V    |
| $I_{IL}$   | Low level logic input current                       | GND logic input voltage  | -10   | -    | -    | μA   |
| $I_{IH}$   | High level logic input current                      | 7 V logic input voltage  | -     | -    | 10   | μA   |
| $V_{th(ON)}$   | Turn-on input threshold                             | -  | -     | 1.8  | 2.0  | V    |
| $V_{th(OFF)}$  | Turn-off input threshold                            | -  | 0.8   | 1.3  | -    | V    |
| $V_{th(HYS)}$  | Input threshold hysteresis                          | -  | 0.25  | 0.5  | -    | V    |
| <b>Switching characteristics</b>                                   |   |  |       |      |      |      |
| $t_{D(ON)EN}$  | Enable to output turn-on delay time <sup>(2)</sup>  | $I_{LOAD} = 2.8\text{ A}$ , resistive load                         | 100   | 250  | 400  | ns   |
| $t_{D(OFF)EN}$   | Enable to output turn-off delay time <sup>(2)</sup> | $I_{LOAD} = 2.8\text{ A}$ , resistive load                         | 300   | 550  | 800  | ns   |
| $t_{RISE}$   | Output rise time <sup>(2)</sup>                     | $I_{LOAD} = 2.8\text{ A}$ , resistive load                         | 40    | -    | 250  | ns   |
| $t_{FALL}$   | Output fall time <sup>(2)</sup>                     | $I_{LOAD} = 2.8\text{ A}$ , resistive load                         | 40    | -    | 250  | ns   |
| $t_{DCLK}$   | Clock to output delay time <sup>(3)</sup>           | $I_{LOAD} = 2.8\text{ A}$ , resistive load                         | -     | 2    | -    | μs   |
| $t_{CLK(min)L}$  | Minimum clock time <sup>(4)</sup>                   | -  | -     | -    | 1    | μs   |



**Table 5. Electrical characteristics**  
**( $T_{amb} = 25\text{ °C}$ ,  $V_s = 48\text{ V}$ , unless otherwise specified) (continued)**

| Symbol                               | Parameter  | Test conditions                                       | Min. | Typ.    | Max. | Unit          |
|--------------------------------------|--|---|------|---------|------|---------------|
| $t_{CLK(min)H}$                      | Minimum clock time <sup>(4)</sup>                | -   | -    | -       | 1    | $\mu\text{s}$ |
| $f_{CLK}$                            | Clock frequency                                  | -   | -    | -       | 100  | KHz           |
| $t_{S(MIN)}$                         | Minimum setup time <sup>(5)</sup>                | -   | -    | -       | 1    | $\mu\text{s}$ |
| $t_{H(MIN)}$                         | Minimum hold time <sup>(5)</sup>                 | -   | -    | -       | 1    | $\mu\text{s}$ |
| $t_{R(MIN)}$                         | Minimum reset time <sup>(5)</sup>                | -   | -    | -       | 1    | $\mu\text{s}$ |
| $t_{RCLK(MIN)}$                      | Minimum reset to clock delay time <sup>(5)</sup> | -   | -    | -       | 1    | $\mu\text{s}$ |
| $t_{DT}$                             | Deadtime protection                              |   | 0.5  | 1       | -    | $\mu\text{s}$ |
| $f_{CP}$                             | Charge pump frequency                            | $T_j = -25\text{ °C to }125\text{ °C}^{(1)}$          | -    | 0.6     | 1    | MHz           |
| <b>PWM comparator and monostable</b> |  |   |      |         |      |               |
| $I_{RCA}, I_{RCB}$                   | Source current at pins $RC_A$ and $RC_B$         | $V_{RCA} = V_{RCB} = 2.5\text{ V}$                    | 3.5  | 5.5     | -    | mA            |
| $V_{offset}$                         | Offset voltage on sense comparator               | $V_{REFA}, V_{REFB} = 0.5\text{ V}$                   | -    | $\pm 5$ | -    | mV            |
| $t_{PROP}$                           | Turn OFF propagation delay <sup>(6)</sup>        | -   | -    | 500     | -    | ns            |
| $t_{BLANK}$                          | Internal blanking time on SENSE pins             | -   | -    | 1       | -    | $\mu\text{s}$ |
| $t_{ON(MIN)}$                        | Minimum On time                                  | -   | -    | 1.5     | 2    | $\mu\text{s}$ |
| $t_{OFF}$                            | PWM recirculation time                           | $R_{OFF} = 20\text{ K}\Omega; C_{OFF} = 1\text{ nF}$  | -    | 13      | -    | $\mu\text{s}$ |
|                                      |  | $R_{OFF} = 100\text{ K}\Omega; C_{OFF} = 1\text{ nF}$ | -    | 61      | -    | $\mu\text{s}$ |
| $I_{BIAS}$                           | Input bias current at pins $VREF_A$ and $VREF_B$ | -   | -    | -       | 10   | $\mu\text{A}$ |
| <b>Overcurrent protection</b>        |  |   |      |         |      |               |
| $I_{SOVER}$                          | Input supply overcurrent protection threshold    | $T_j = -25\text{ °C to }125\text{ °C}^{(1)}$          | 4    | 5.6     | 7.1  | A             |
| $R_{OPDR}$                           | Open drain ON resistance                         | $I = 4\text{ mA}$                                     | -    | 40      | 60   | W             |
| $t_{OCD(ON)}$                        | OCD turn-on delay time <sup>(7)</sup>            | $I = 4\text{ mA}; C_{EN} < 100\text{ pF}$             | -    | 200     | -    | ns            |
| $t_{OCD(OFF)}$                       | OCD turn-off delay time <sup>(7)</sup>           | $I = 4\text{ mA}; C_{EN} < 100\text{ pF}$             | -    | 100     | -    | ns            |

1. Tested at 25 °C in a restricted range and guaranteed by characterization.
2. See [Figure 3: Switching characteristic definition](#).
3. See [Figure 4: Clock to output delay time](#).
4. See [Figure 5: Minimum timing definition; clock input](#).
5. See [Figure 6: Minimum timing definition; logic inputs](#).
6. Measured applying a voltage of 1 V to pin SENSE and a voltage drop from 2 V to 0 V to pin VREF.
7. See [Figure 7: Overcurrent detection timing definition](#).

Figure 3. Switching characteristic definition

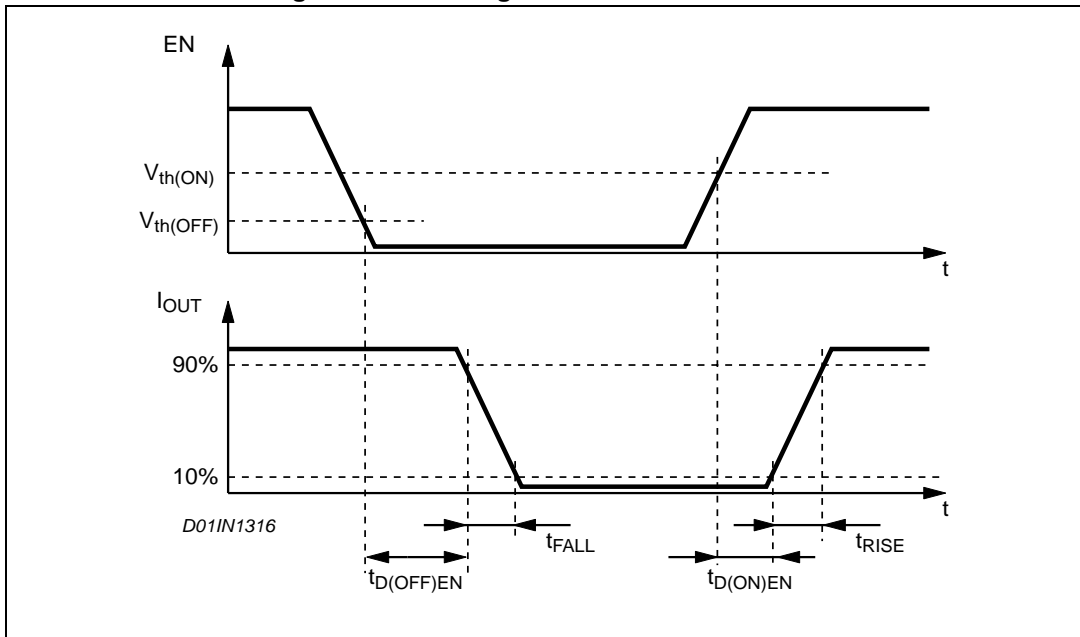


Figure 4. Clock to output delay time

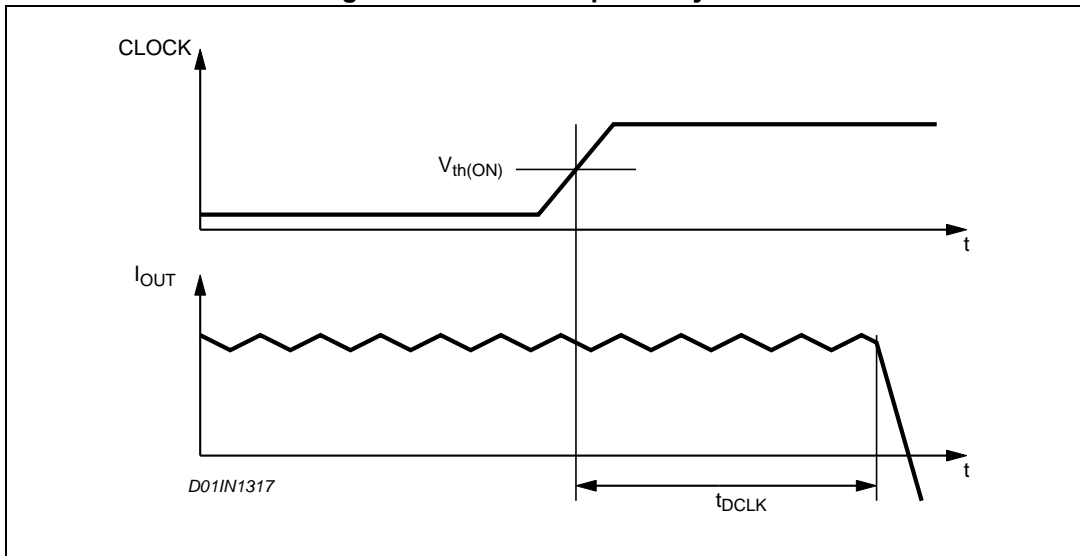


Figure 5. Minimum timing definition; clock input

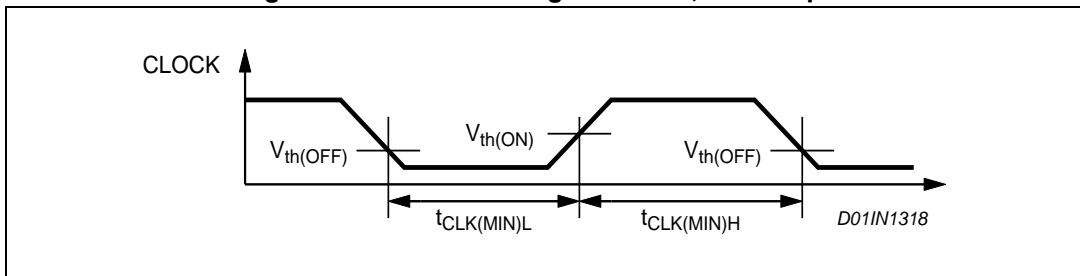


Figure 6. Minimum timing definition; logic inputs

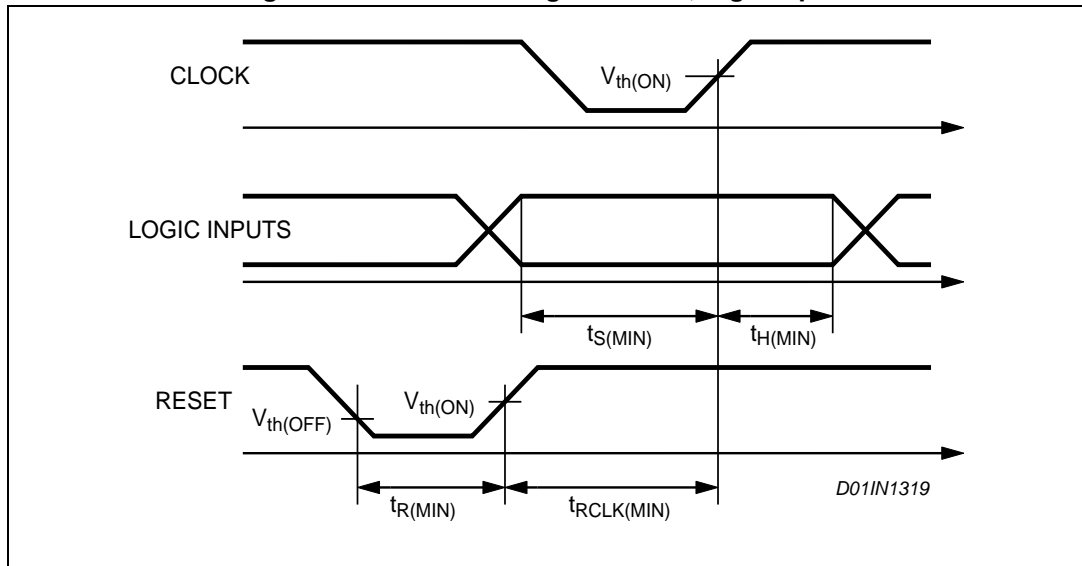
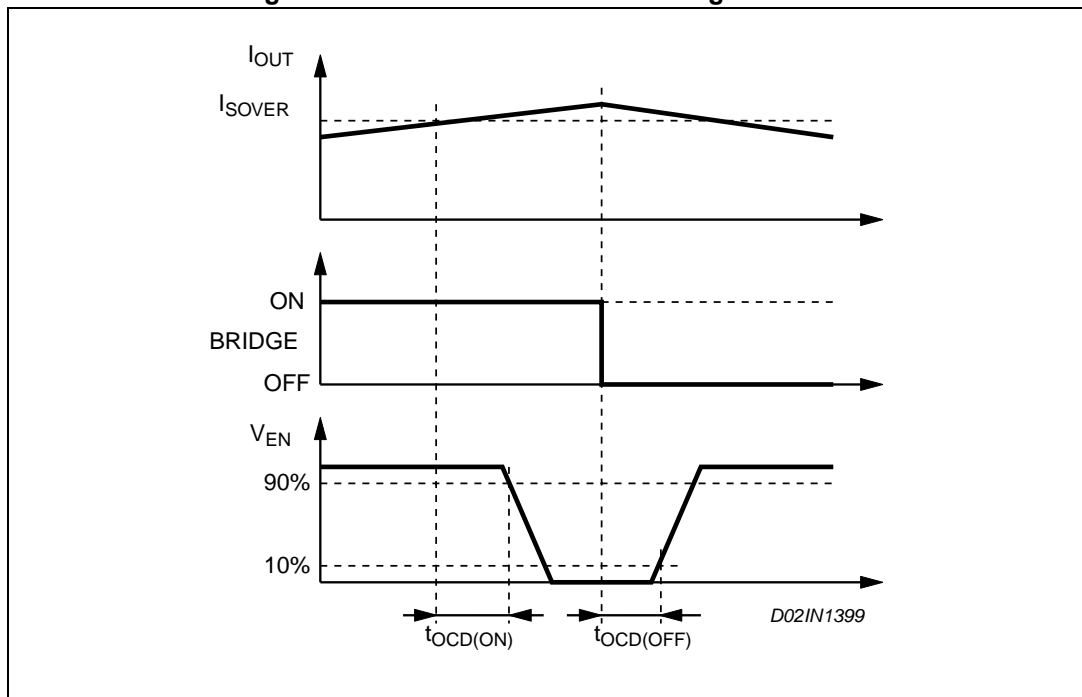


Figure 7. Overcurrent detection timing definition



## 5 Circuit description

### 5.1 Power stages and charge pump

The L6208 integrates two independent power MOS full bridges. Each power MOS has an  $R_{DS(ON)} = 0.3 \Omega$  (typical value at 25 °C), with intrinsic fast freewheeling diode. Switching patterns are generated by the PWM current controller and the phase sequence generator (see [Section 6: PWM current control](#)). Cross conduction protection is achieved using a deadtime ( $t_{DT} = 1 \mu s$  typical value) between the switch off and switch on of two power MOSFETs in one leg of a bridge.

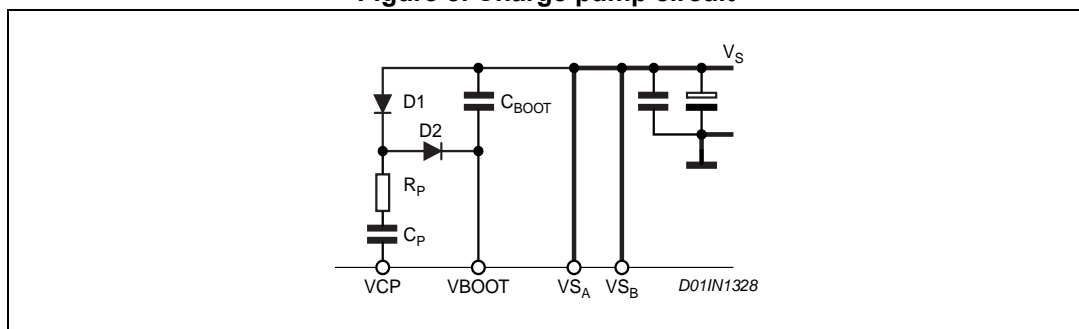
Pins  $VS_A$  and  $VS_B$  MUST be connected together to the supply voltage  $V_S$ . The device operates with a supply voltage in the range from 8 V to 52 V. It has to be noticed that the  $R_{DS(ON)}$  increases of some percents when the supply voltage is in the range from 8 V to 12 V (see [Figure 37: Typical low-side  \$R\_{DS\(ON\)}\$  vs. supply voltage on page 29](#) and [Figure 34: Typical high-side  \$R\_{DS\(ON\)}\$  vs. supply voltage on page 29](#)).

Using N-channel power MOS for the upper transistors in the bridge requires a gate drive voltage above the power supply voltage. The bootstrapped supply voltage  $V_{BOOT}$  is obtained through an internal oscillator and few external components to realize a charge pump circuit as shown in [Figure 8](#). The oscillator output (VCP) is a square wave at 600 KHz (typical) with 10 V amplitude. Recommended values/part numbers for the charge pump circuit are shown in [Table 6](#).

**Table 6. Charge pump external components values**

| Component  | Value        |
|------------|--------------|
| $C_{BOOT}$ | 220 nF       |
| $C_P$      | 10 nF        |
| $R_P$      | 100 $\Omega$ |
| D1         | 1N4148       |
| D2         | 1N4148       |

**Figure 8. Charge pump circuit**



## 5.2 Logic inputs

Pins CONTROL, HALF/FULL, CLOCK, RESET and CW/CCW are TTL/CMOS compatible logic inputs. The internal structure is shown in [Figure 9](#). Typical value for turn-on and turn-off thresholds are respectively  $V_{th(ON)} = 1.8\text{ V}$  and  $V_{th(OFF)} = 1.3\text{ V}$ .

Pin EN (“Enable”) has identical input structure with the exception that the drain of the overcurrent and thermal protection MOSFET is also connected to this pin. Due to this connection some care needs to be taken in driving this pin. The EN input may be driven in one of two configurations as shown in [Figure 10](#) or [Figure 11](#). If driven by an open drain (collector) structure, a pull-up resistor  $R_{EN}$  and a capacitor  $C_{EN}$  are connected as shown in [Figure 10](#). If the driver is a standard Push-Pull structure the resistor  $R_{EN}$  and the capacitor  $C_{EN}$  are connected as shown in [Figure 11](#). The resistor  $R_{EN}$  should be chosen in the range from 2.2 K $\Omega$  to 180 K $\Omega$ . Recommended values for  $R_{EN}$  and  $C_{EN}$  are respectively 100 K $\Omega$  and 5.6 nF. More information on selecting the values is found in [Section 7.5: Non-dissipative overcurrent protection on page 21](#).

Figure 9. Logic inputs internal structure

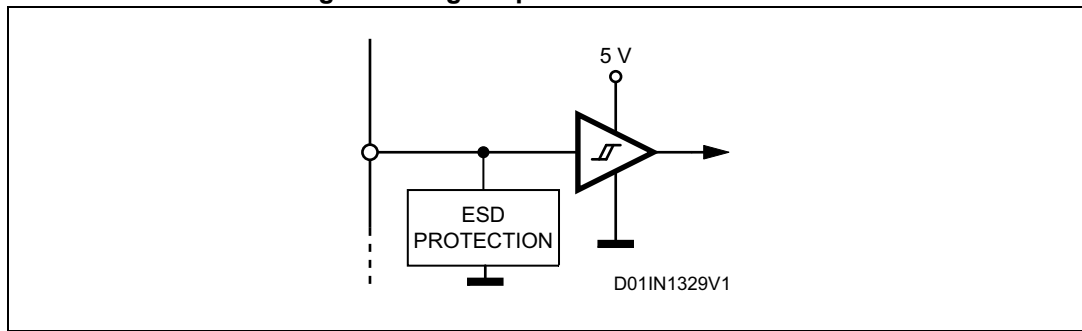


Figure 10. EN pin open collector driving

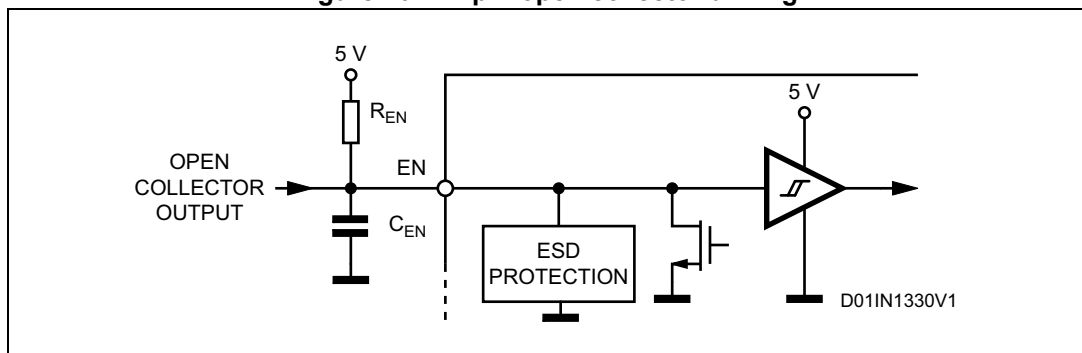
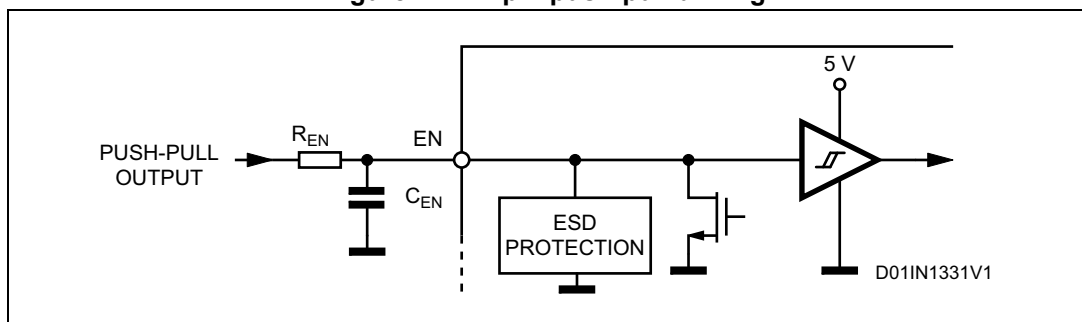


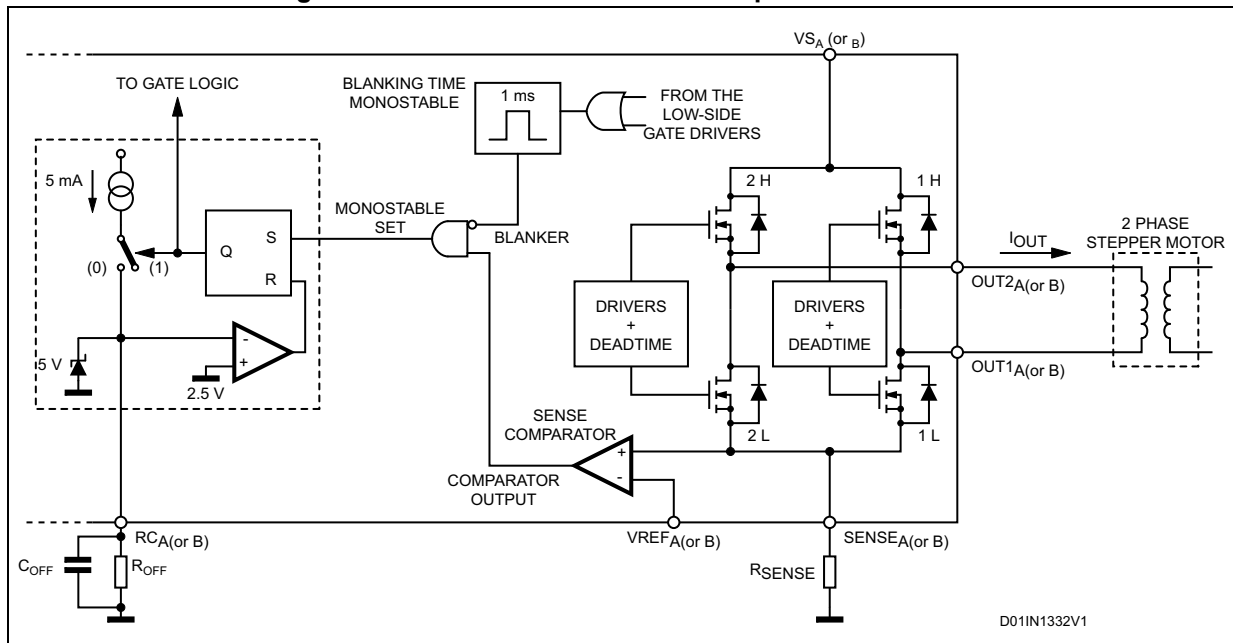
Figure 11. EN pin push-pull driving



## 6 PWM current control

The L6208 device includes a constant off time PWM current controller for each of the two bridges. The current control circuit senses the bridge current by sensing the voltage drop across an external sense resistor connected between the source of the two lower power MOS transistors and ground, as shown in [Figure 12](#). As the current in the motor builds up the voltage across the sense resistor increases proportionally. When the voltage drop across the sense resistor becomes greater than the voltage at the reference input ( $VREF_A$  or  $VREF_B$ ) the sense comparator triggers the monostable switching the bridge off. The power MOS remains off for the time set by the monostable and the motor current recirculates as defined by the selected decay mode, described in [Section 7: Decay modes on page 18](#). When the monostable times out the bridge will again turn on. Since the internal deadtime, used to prevent cross conduction in the bridge, delays the turn on of the power MOS, the effective off time is the sum of the monostable time plus the deadtime.

**Figure 12. PWM current controller simplified schematic**



[Figure 13](#) shows the typical operating waveforms of the output current, the voltage drop across the sensing resistor, the RC pin voltage and the status of the bridge. More details regarding the synchronous rectification and the output stage configuration are included in [Section 7: Decay modes on page 18](#).

Immediately after the power MOS turns on, a high peak current flows through the sensing resistor due to the reverse recovery of the freewheeling diodes. The L6208 device provides a  $1 \mu s$  blanking time  $t_{BLANK}$  that inhibits the comparator output so that this current spike cannot prematurely retrigger the monostable.



Therefore:

**Equation 3**

$$t_{OFF(MIN)} = 6.6 \mu s$$

$$t_{OFF(MAX)} = 6 \text{ ms}$$

These values allow a sufficient range of  $t_{OFF}$  to implement the drive circuit for most motors.

The capacitor value chosen for  $C_{OFF}$  also affects the rise time  $t_{RCRISE}$  of the voltage at the pin RCOFF. The rise time  $t_{RCRISE}$  will only be an issue if the capacitor is not completely charged before the next time the monostable is triggered. Therefore, the on time  $t_{ON}$ , which depends by motors and supply parameters, has to be bigger than  $t_{RCRISE}$  for allowing a good current regulation by the PWM stage. Furthermore, the on time  $t_{ON}$  can not be smaller than the minimum on time  $t_{ON(MIN)}$ .

**Equation 4**

$$\begin{cases} t_{ON} > t_{ON(MIN)} = 1.5 \mu s \text{ (typ. value)} \\ t_{ON} > t_{RCRISE} - t_{DT} \end{cases}$$

$$t_{RCRISE} = 600 \cdot C_{OFF}$$

Figure 15 shows the lower limit for the on time  $t_{ON}$  for having a good PWM current regulation capacity. It has to be said that  $t_{ON}$  is always bigger than  $t_{ON(MIN)}$  because the device imposes this condition, but it can be smaller than  $t_{RCRISE} - t_{DT}$ . In this last case the device continues to work but the off time  $t_{OFF}$  is not more constant.

So, small  $C_{OFF}$  value gives more flexibility for the applications (allows smaller on time and, therefore, higher switching frequency), but, the smaller is the value for  $C_{OFF}$ , the more influential will be the noises on the circuit performance.

**Figure 14.  $t_{OFF}$  versus  $C_{OFF}$  and  $R_{OFF}$**

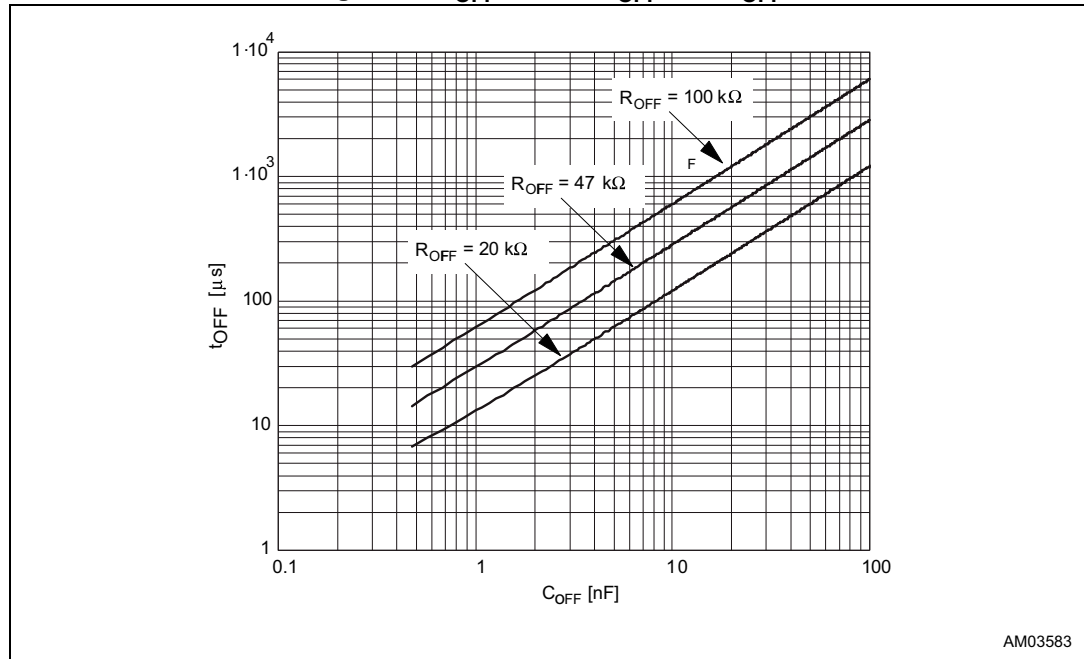
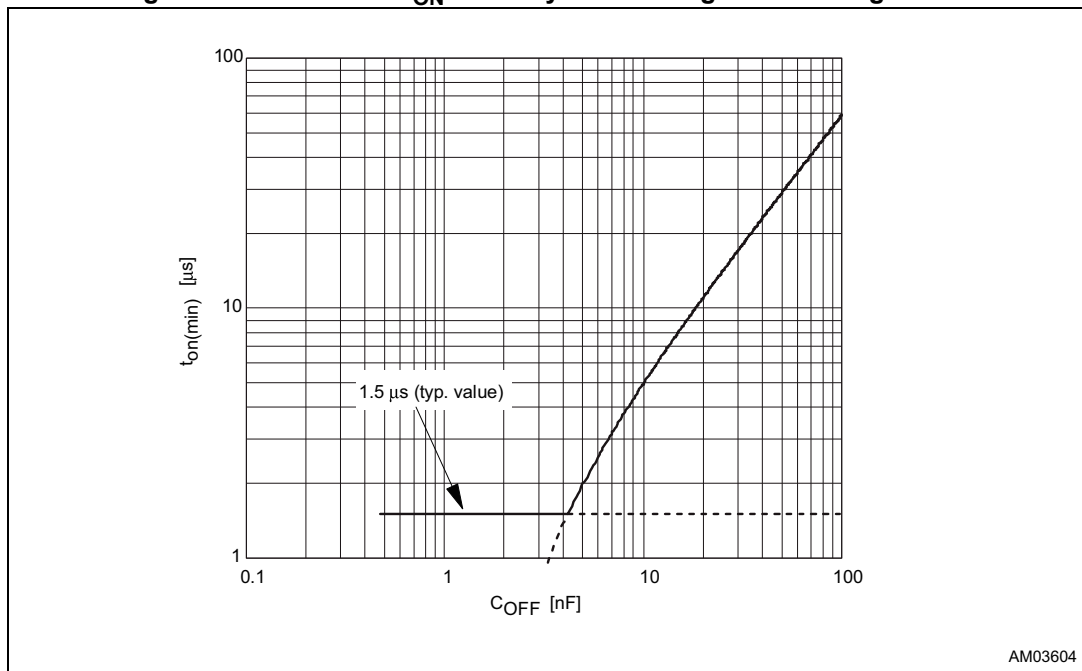




Figure 15. Area where  $t_{ON}$  can vary maintaining the PWM regulation

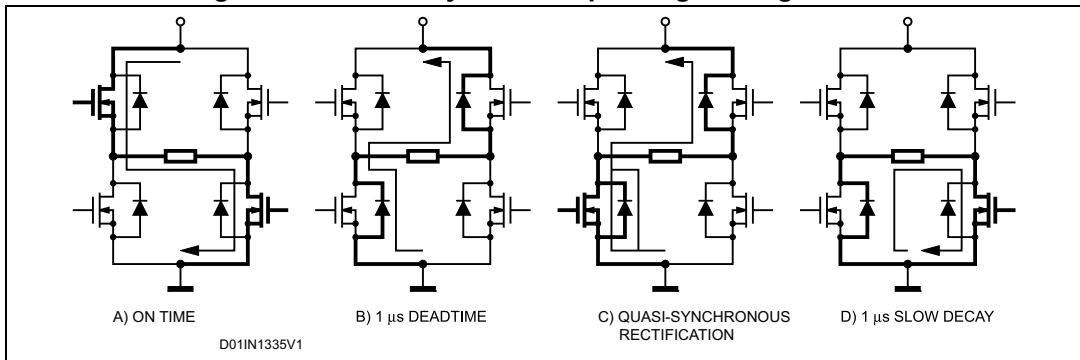
# 7 Decay modes

The CONTROL input is used to select the behavior of the bridge during the off time. When the CONTROL pin is low, the fast decay mode is selected and both transistors in the bridge are switched off during the off time. When the CONTROL pin is high, the slow decay mode is selected and only the low-side transistor of the bridge is switched off during the off time.

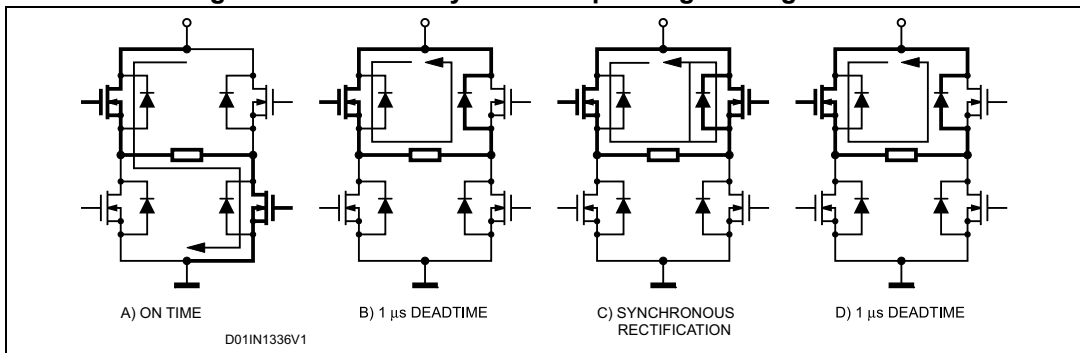
*Figure 16* shows the operation of the bridge in the fast decay mode. At the start of the off time, both of the power MOS are switched off and the current recirculates through the two opposite freewheeling diodes. The current decays with a high  $di/dt$  since the voltage across the coil is essentially the power supply voltage. After the deadtime, the lower power MOS in parallel with the conducting diode is turned on in synchronous rectification mode. In applications where the motor current is low it is possible that the current can decay completely to zero during the off time. At this point if both of the power MOS were operating in the synchronous rectification mode, it would then be possible for the current to build in the opposite direction. To prevent this only the lower power MOS is operated in synchronous rectification mode. This operation is called "Quasi-synchronous rectification mode". When the monostable times out, the power MOS are turned on again after some delay set by the deadtime to prevent cross conduction.

*Figure 17* shows the operation of the bridge in the slow decay mode. At the start of the off time, the lower power MOS is switched off and the current recirculates around the upper half of the bridge. Since the voltage across the coil is low, the current decays slowly. After the deadtime the upper power MOS is operated in the synchronous rectification mode. When the monostable times out, the lower power MOS is turned on again after some delay set by the deadtime to prevent cross conduction.

**Figure 16. Fast decay mode output stage configurations**



**Figure 17. Slow decay mode output stage configurations**



## 7.1 Stepping sequence generation

The phase sequence generator is a state machine that provides the phase and enable inputs for the two bridges to drive a stepper motor in either full step or half step. Two full step modes are possible, the normal drive mode where both phases are energized each step and the wave drive mode where only one phase is energized at a time. The drive mode is selected by the HALF/FULL input and the current state of the sequence generator as described below. A rising edge of the CLOCK input advances the state machine to the next state. The direction of rotation is set by the CW/CCW input. The RESET input resets the state machine to state.

## 7.2 Half step mode

A HIGH logic level on the HALF/FULL input selects half step mode. [Figure 18](#) shows the motor current waveforms and the state diagram for the phase sequencer generator. At startup or after a RESET the phase sequencer is at state 1. After each clock pulse the state changes following the sequence 1, 2, 3, 4, 5, 6, 7, 8, etc. if CW/CCW is high (clockwise movement) or 1, 8, 7, 6, 5, 4, 3, 2, etc. if CW/CCW is low (counterclockwise movement).

## 7.3 Normal drive mode (full step two phase on)

A LOW level on the HALF/FULL input selects the full step mode. When the low level is applied when the state machine is at an ODD numbered state the normal drive mode is selected. [Figure 19](#) shows the motor current waveform state diagram for the state machine of the phase sequencer generator. The normal drive mode can easily be selected by holding the HALF/FULL input low and applying a RESET. At startup or after a RESET the state machine is in state 1. While the HALF/FULL input is kept low, state changes following the sequence 1, 3, 5, 7, etc. if CW/CCW is high (clockwise movement) or 1, 7, 5, 3, etc. if CW/CCW is low (counterclockwise movement).

## 7.4 Wave drive mode (full step one phase on)

A LOW level on the pin HALF/FULL input selects the full step mode. When the low level is applied when the state machine is at an EVEN numbered state the wave drive mode is selected. [Figure 20](#) shows the motor current waveform and the state diagram for the state machine of the phase sequence generator. To enter the wave drive mode the state machine must be in an EVEN numbered state. The most direct method to select the wave drive mode is to first apply a RESET, then while keeping the HALF/FULL input high apply one pulse to the clock input then take the HALF/FULL input low. This sequence first forces the state machine to state 1. The clock pulse, with the HALF/FULL input high advances the state machine from state 1 to either state 2 or 8 depending on the CW/CCW input. Starting from this point, after each clock pulse (rising edge) will advance the state machine following the sequence 2, 4, 6, 8, etc. if CW/CCW is high (clockwise movement) or 8, 6, 4, 2, etc. if CW/CCW is low (counterclockwise movement).

Figure 18. Half step mode

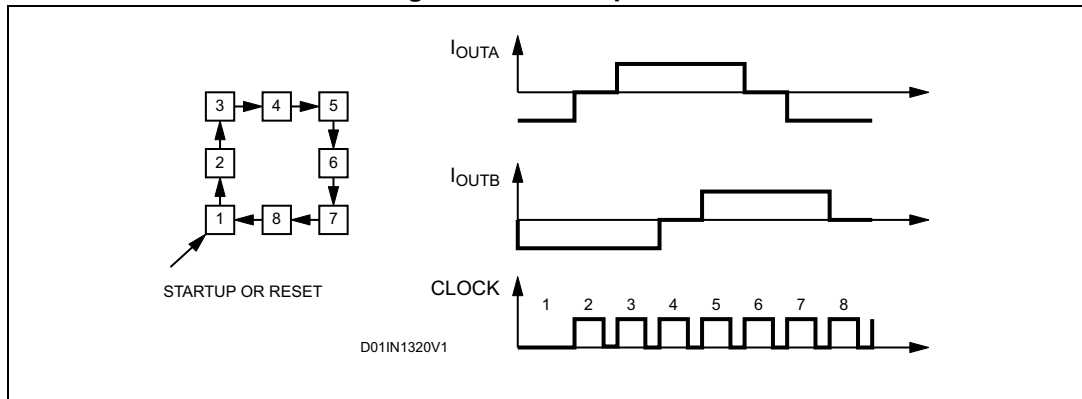


Figure 19. Normal drive mode

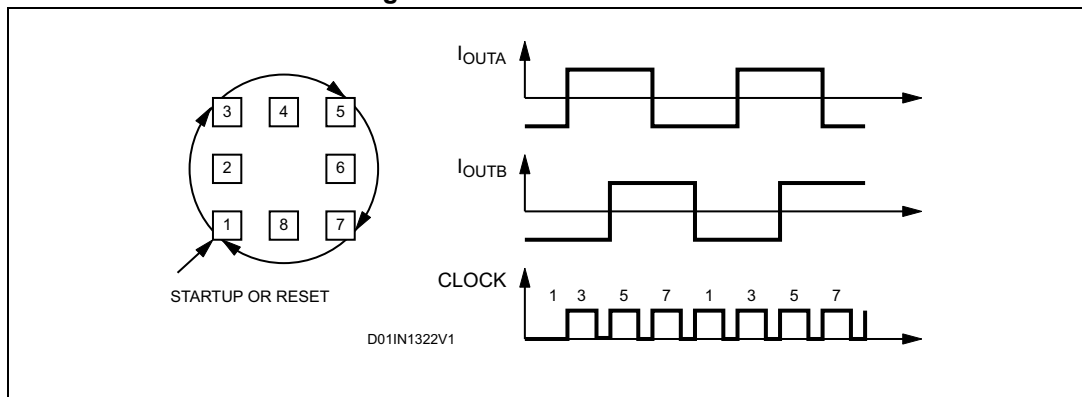
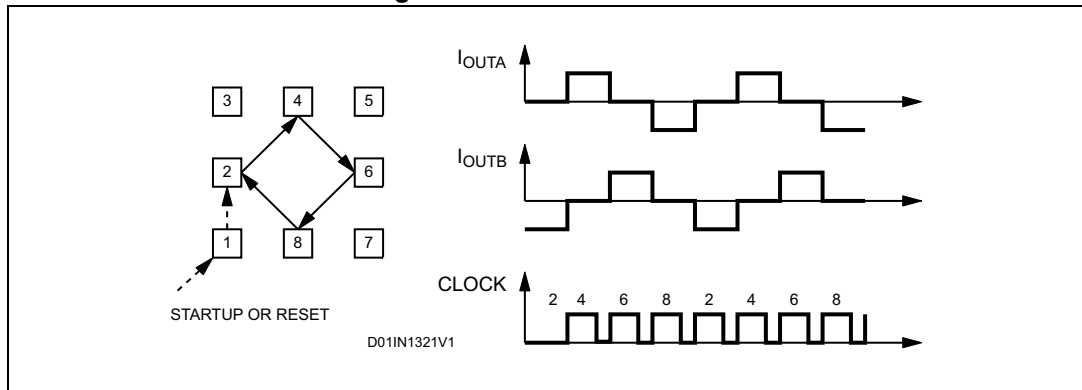


Figure 20. Wave drive mode

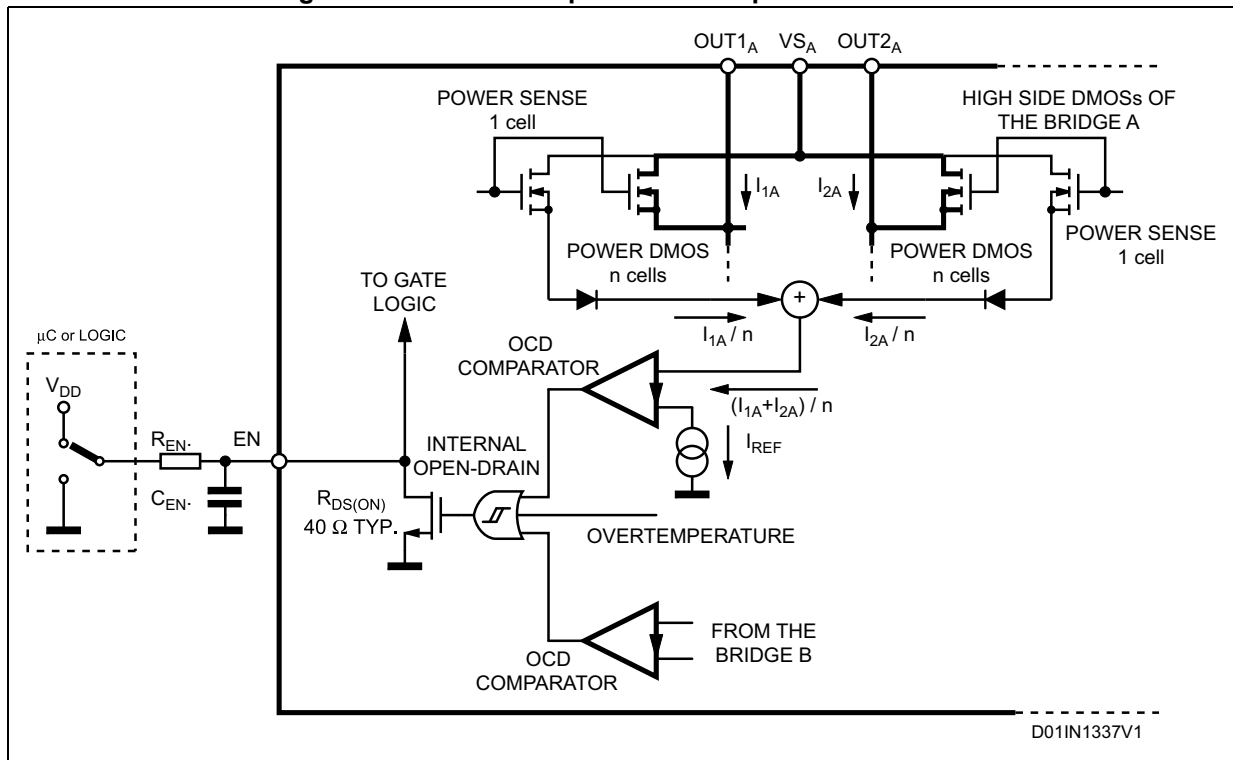


### 7.5 Non-dissipative overcurrent protection

The L6208 device integrates an “Overcurrent Detection” circuit (OCD). This circuit provides protection against a short-circuit to ground or between two phases of the bridge. With this internal overcurrent detection, the external current sense resistor normally used and its associated power dissipation are eliminated. *Figure 21* shows a simplified schematic of the overcurrent detection circuit.

To implement the overcurrent detection, a sensing element that delivers a small but precise fraction of the output current is implemented with each high-side power MOS. Since this current is a small fraction of the output current there is very little additional power dissipation. This current is compared with an internal reference current  $I_{REF}$ . When the output current reaches the detection threshold (typically 5.6 A), the OCD comparator signals a fault condition. When a fault condition is detected, the EN pin is pulled below the turn off threshold (1.3 V typical) by an internal open drain MOS with a pull down capability of 4 mA. By using an external R-C on the EN pin, the off time before recovering normal operation can be easily programmed by means of the accurate thresholds of the logic inputs.

**Figure 21. Overcurrent protection simplified schematic**



*Figure 22* shows the overcurrent detection operation. The disable time  $t_{DISABLE}$  before recovering normal operation can be easily programmed by means of the accurate thresholds of the logic inputs. It is affected whether by  $C_{EN}$  and  $R_{EN}$  values and its magnitude is reported in *Figure 23*. The delay time  $t_{DELAY}$  before turning off the bridge when an overcurrent has been detected depends only by  $C_{EN}$  value. Its magnitude is reported in *Figure 24*.

$C_{EN}$  is also used for providing immunity to the pin EN against fast transient noises. Therefore the value of  $C_{EN}$  should be chosen as big as possible according to the maximum

tolerable delay time and the  $R_{EN}$  value should be chosen according to the desired disable time.

The resistor  $R_{EN}$  should be chosen in the range from 2.2 K $\Omega$  to 180 K $\Omega$ . Recommended values for  $R_{EN}$  and  $C_{EN}$  are respectively 100 K $\Omega$  and 5.6 nF that allow obtaining 200  $\mu$ s disable time.

Figure 22. Overcurrent protection waveforms

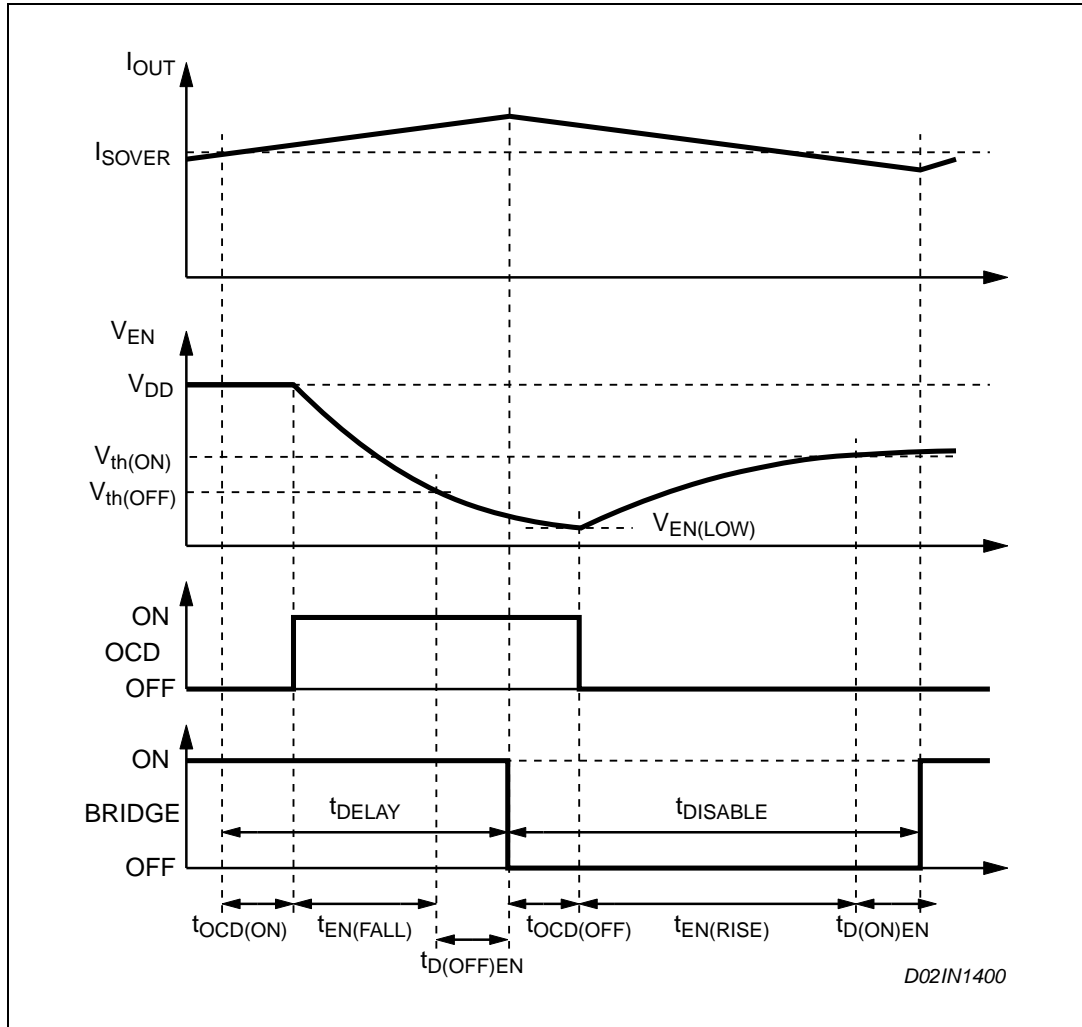
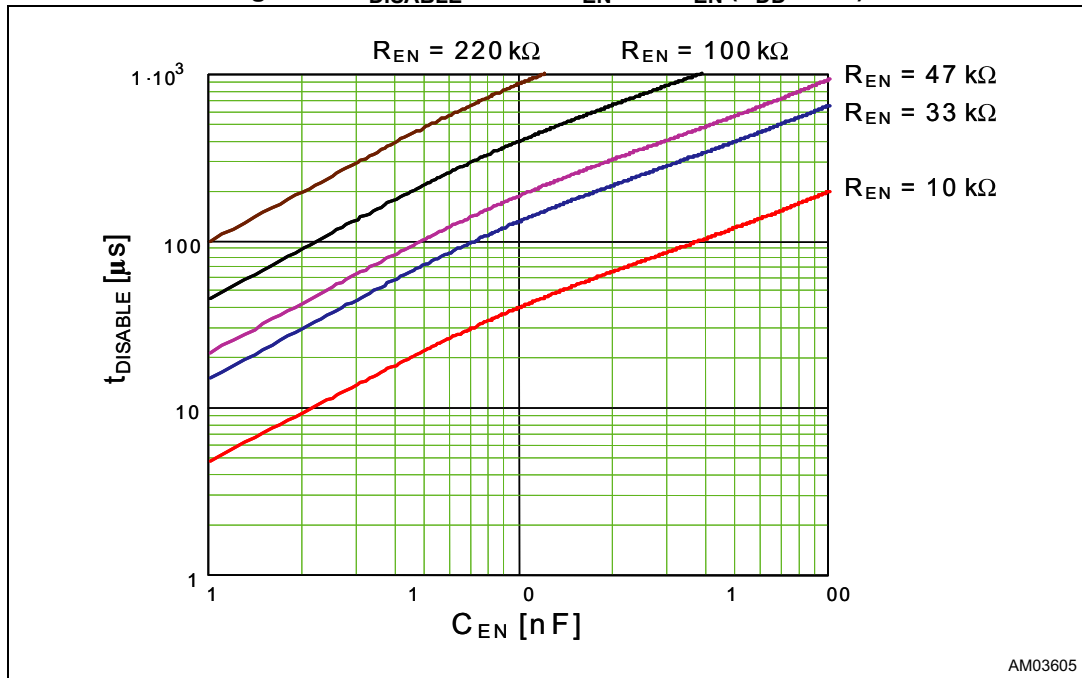
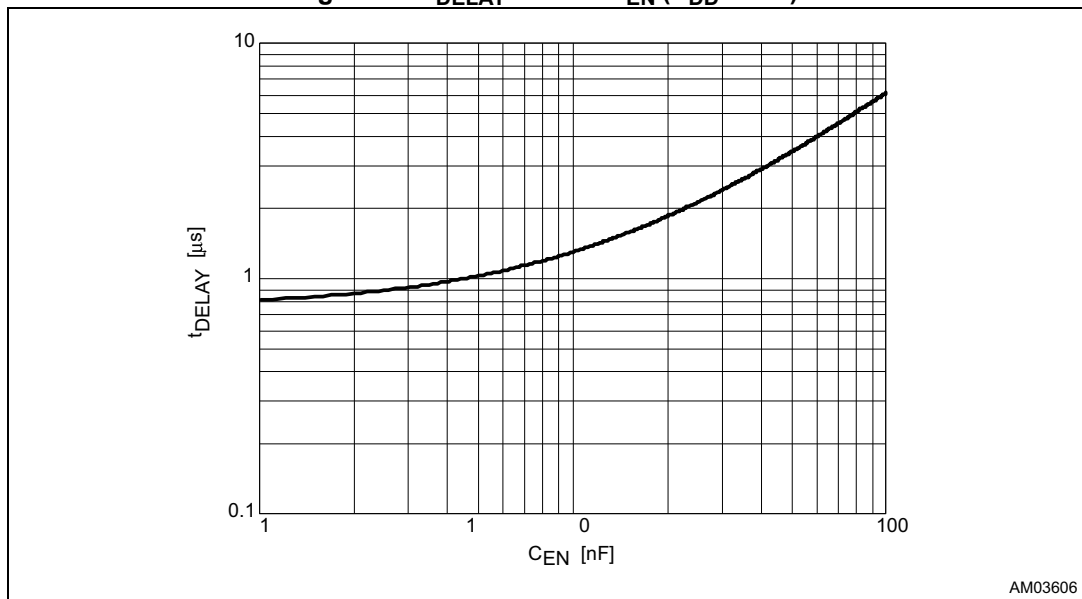


Figure 23.  $t_{\text{DISABLE}}$  versus  $C_{\text{EN}}$  and  $R_{\text{EN}}$  ( $V_{\text{DD}} = 5 \text{ V}$ )



AM03605

Figure 24.  $t_{\text{DELAY}}$  versus  $C_{\text{EN}}$  ( $V_{\text{DD}} = 5 \text{ V}$ )



AM03606

## 7.6 Thermal protection

In addition to the overcurrent protection, the L6208 device integrates a thermal protection for preventing the device destruction in case of junction overtemperature. It works sensing the die temperature by means of a sensible element integrated in the die. The device switches-off when the junction temperature reaches 165 °C (typ. value) with 15 °C hysteresis (typ. value).

## 8 Application information

A typical bipolar stepper motor driver application using the L6208 device is shown in [Figure 25](#). Typical component values for the application are shown in [Table 7](#). A high quality ceramic capacitor in the range of 100 to 200 nF should be placed between the power pins ( $VS_A$  and  $VS_B$ ) and ground near the L6208 to improve the high frequency filtering on the power supply and reduce high frequency transients generated by the switching. The capacitor connected from the EN input to ground sets the shutdown time when an overcurrent is detected (see [Section 7.5: Non-dissipative overcurrent protection](#)). The two current sensing inputs ( $SENSE_A$  and  $SENSE_B$ ) should be connected to the sensing resistors with a trace length as short as possible in the layout. The sense resistors should be non-inductive resistors to minimize the di/dt transients across the resistor. To increase noise immunity, unused logic pins (except EN) are best connected to 5 V (high logic level) or GND (low logic level) (see [Table 4: Pin description on page 6](#)). It is recommended to keep power ground and signal ground separated on the PCB.

**Table 7. Component values for typical application**

| Component  | Value       | Component    | Value          |
|------------|-------------|--------------|----------------|
| $C_1$      | 100 $\mu$ F | $D_1$        | 1N4148         |
| $C_2$      | 100 nF      | $D_2$        | 1N4148         |
| $C_A$      | 1 nF        | $R_A$        | 39 K $\Omega$  |
| $C_B$      | 1 nF        | $R_B$        | 39 K $\Omega$  |
| $C_{BOOT}$ | 220 nF      | $R_{EN}$     | 100 K $\Omega$ |
| $C_P$      | 10 nF       | $R_P$        | 100 $\Omega$   |
| $C_{EN}$   | 5.6 nF      | $R_{SENSEA}$ | 0.3 $\Omega$   |
| $C_{REF}$  | 68 nF       | $R_{SENSEB}$ | 0.3 $\Omega$   |





Figure 26. IC power dissipation versus output current in HALF STEP mode

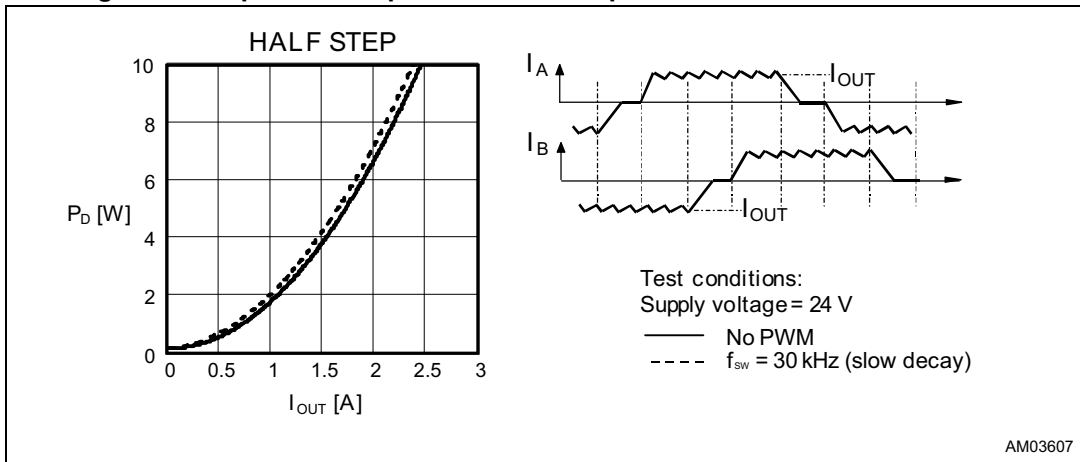


Figure 27. IC power dissipation versus output current in NORMAL mode (full step two phase on)

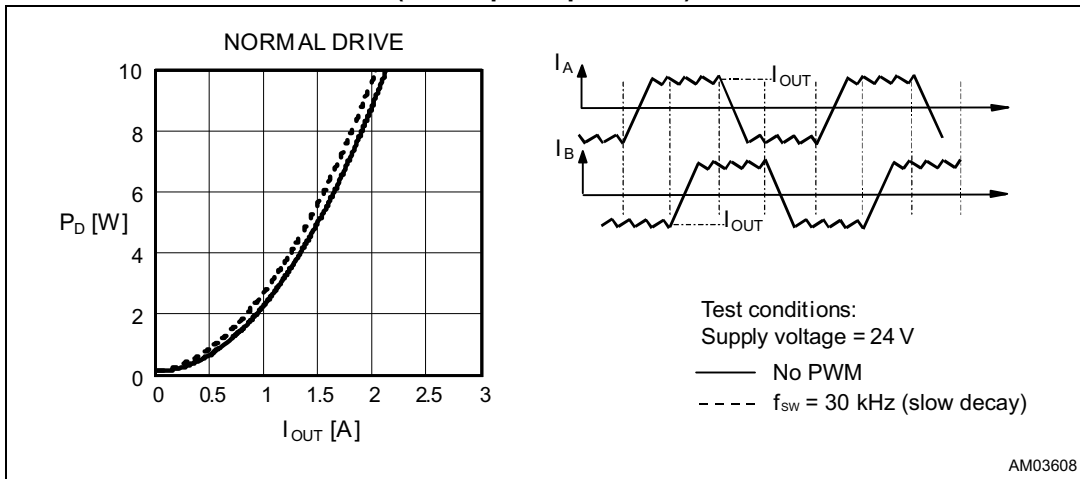


Figure 28. IC power dissipation versus output current in WAVE mode (full step one phase on)

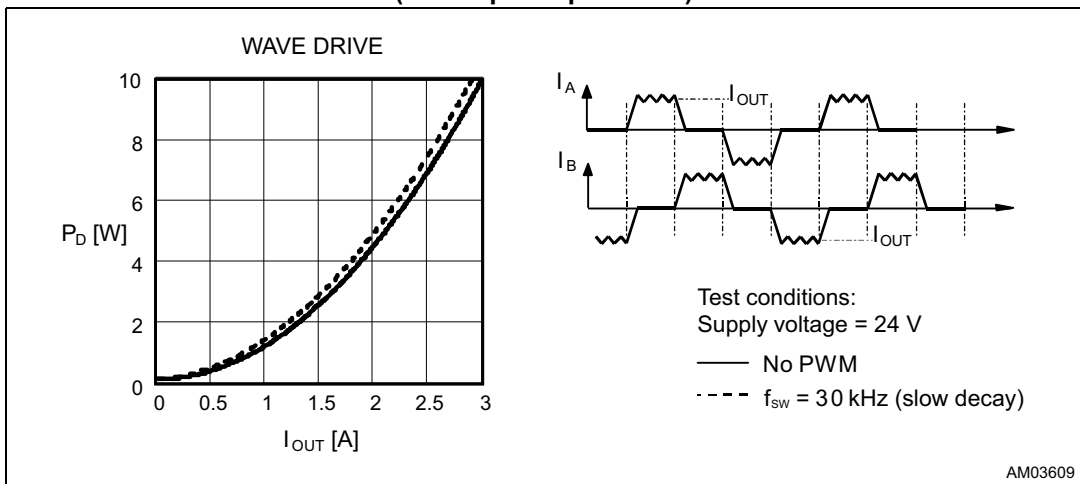
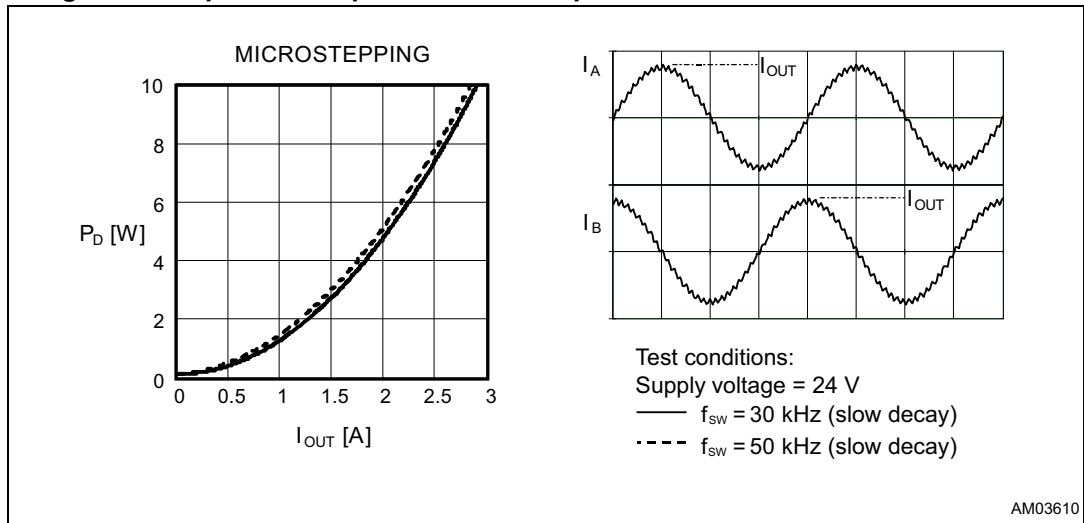


Figure 29. IC power dissipation versus output current in MICROSTEPPING mode

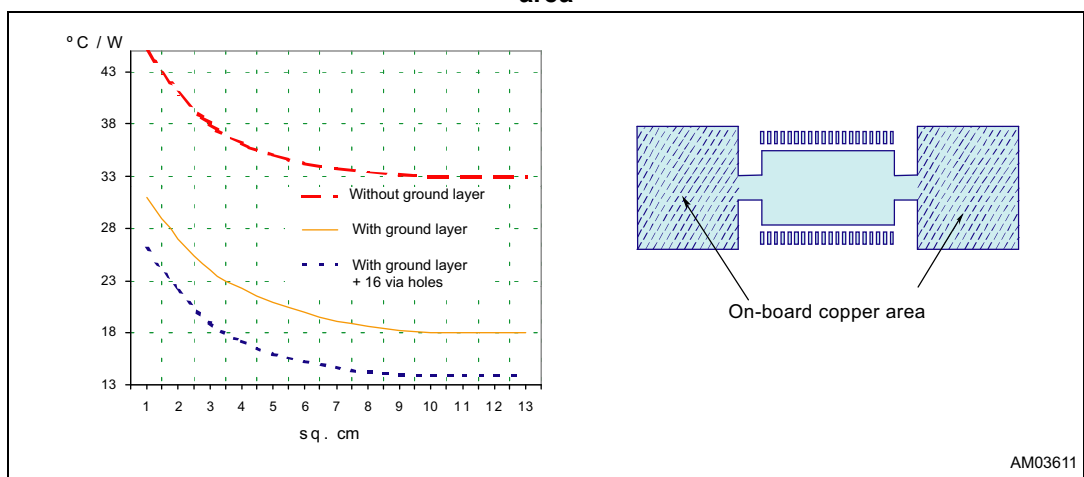


## 8.2 Thermal management

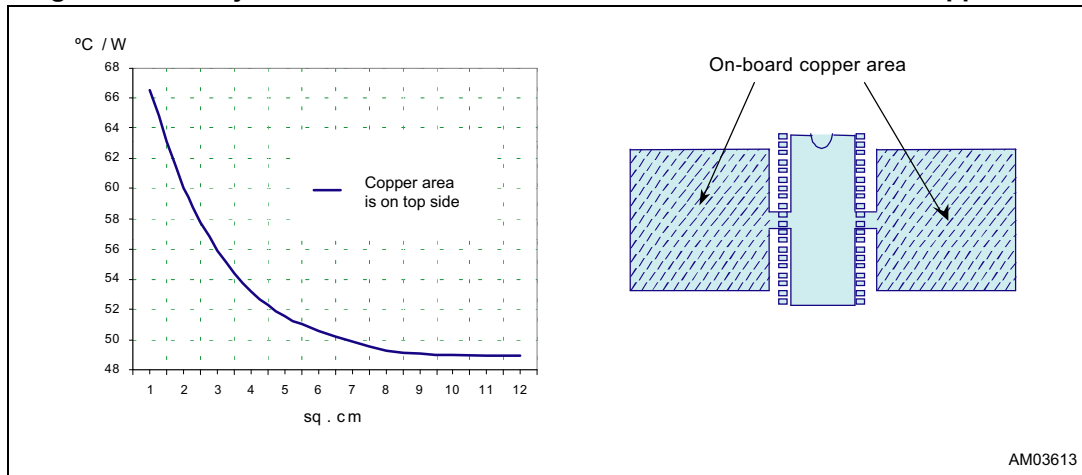
In most applications the power dissipation in the IC is the main factor that sets the maximum current that can be delivered by the device in a safe operating condition. Therefore, it has to be taken into account very carefully. Besides the available space on the PCB, the right package should be chosen considering the power dissipation. Heat sinking can be achieved using copper on the PCB with proper area and thickness. Figure 30 and 31 show the junction to ambient thermal resistance values for the PowerSO36 and SO24 packages.

For instance, using a PowerSO package with a copper slug soldered on a 1.5 mm copper thickness FR4 board with a 6 cm<sup>2</sup> dissipating footprint (copper thickness of 35  $\mu$ m), the  $R_{th(j-amb)}$  is about 35 °C/W. Figure 32 shows mounting methods for this package. Using a multilayer board with vias to a ground plane, thermal impedance can be reduced down to 15 °C/W.

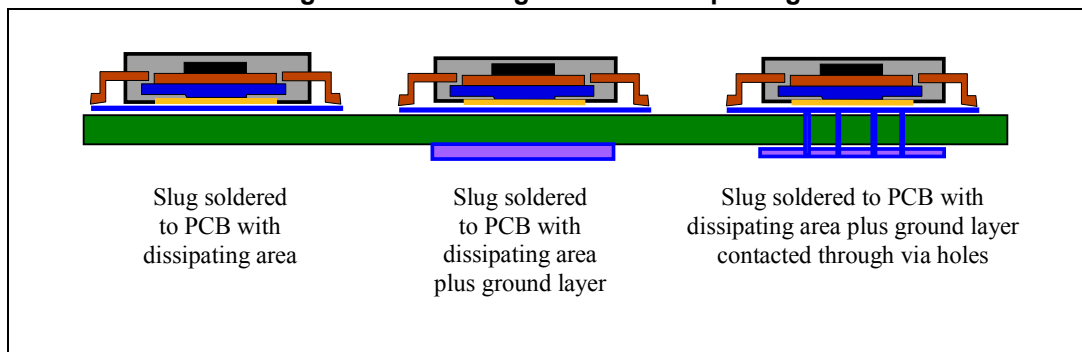
Figure 30. PowerSO36 junction ambient thermal resistance versus on-board copper area



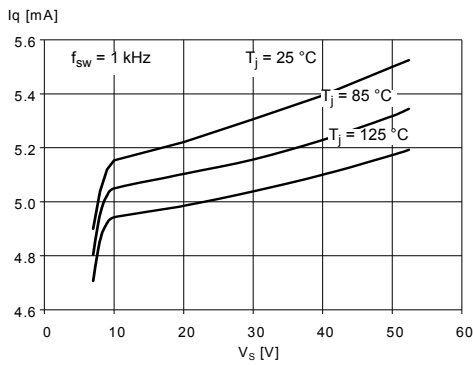
**Figure 31. SO24 junction ambient thermal resistance versus on-board copper area**



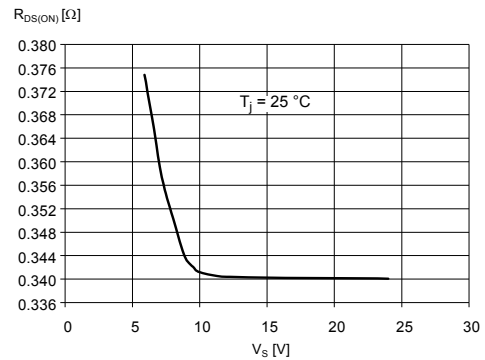
**Figure 32. Mounting the PowerSO package**



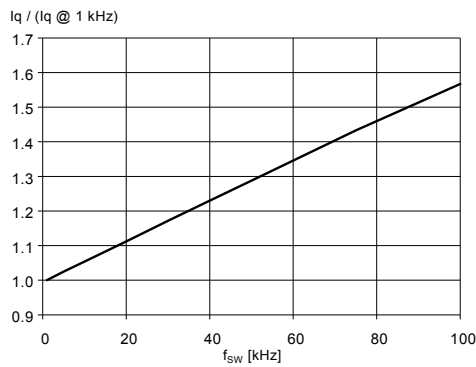
**Figure 33. Typical quiescent current vs. supply voltage**



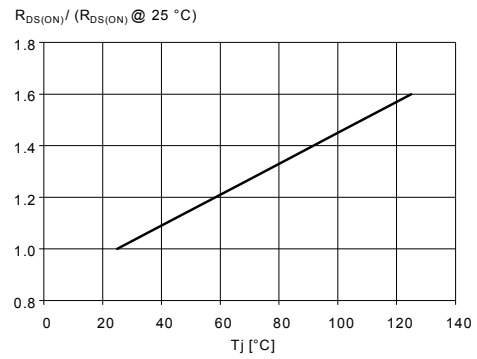
**Figure 34. Typical high-side  $R_{DS(ON)}$  vs. supply voltage**



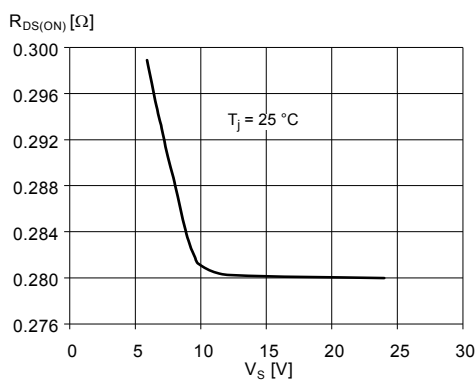
**Figure 35. Normalized typical quiescent current vs. switching frequency**



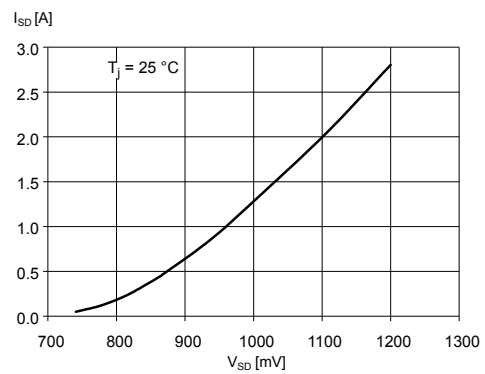
**Figure 36. Normalized  $R_{DS(ON)}$  vs. junction temperature (typical value)**



**Figure 37. Typical low-side  $R_{DS(ON)}$  vs. supply voltage**



**Figure 38. Typical drain-source diode forward ON characteristic**



# 9 Package information

In order to meet environmental requirements, ST offers these devices in different grades of ECOPACK® packages, depending on their level of environmental compliance. ECOPACK specifications, grade definitions and product status are available at: [www.st.com](http://www.st.com). ECOPACK is an ST trademark.

## 9.1 PowerSO36 package information

Figure 39. PowerSO36 package outline



Table 8. PowerSO36 package mechanical data

| Symbol            | Dimensions |       |       |       |        |       |
|-------------------|------------|-------|-------|-------|--------|-------|
|                   | mm         |       |       | inch  |        |       |
|                   | Min.       | Typ.  | Max.  | Min.  | Typ.   | Max.  |
| A                 | -          | -     | 3.60  | -     | -      | 0.141 |
| a1                | 0.10       | -     | 0.30  | 0.004 | -      | 0.012 |
| a2                | -          | -     | 3.30  | -     | -      | 0.130 |
| a3                | 0          | -     | 0.10  | 0     | -      | 0.004 |
| b                 | 0.22       | -     | 0.38  | 0.008 | -      | 0.015 |
| c                 | 0.23       | -     | 0.32  | 0.009 | -      | 0.012 |
| D <sup>(1)</sup>  | 15.80      | -     | 16.00 | 0.622 | -      | 0.630 |
| D1                | 9.40       | -     | 9.80  | 0.370 | -      | 0.385 |
| E                 | 13.90      | -     | 14.50 | 0.547 | -      | 0.570 |
| e                 | -          | 0.65  | -     | -     | 0.0256 | -     |
| e3                | -          | 11.05 | -     | -     | 0.435  | -     |
| E1 <sup>(1)</sup> | 10.90      | -     | 11.10 | 0.429 | -      | 0.437 |
| E2                | -          | -     | 2.90  | -     | -      | 0.114 |
| E3                | 5.80       | -     | 6.20  | 0.228 | -      | 0.244 |
| E4                | 2.90       | -     | 3.20  | 0.114 | -      | 0.126 |
| G                 | 0          | -     | 0.10  | 0     | -      | 0.004 |
| H                 | 15.50      | -     | 15.90 | 0.610 | -      | 0.626 |
| h                 | -          | -     | 1.10  | -     | -      | 0.043 |
| L                 | 0.80       | -     | 1.10  | 0.031 | -      | 0.043 |
| N                 | 10° (max.) |       |       |       |        |       |
| S                 | 8° (max.)  |       |       |       |        |       |

1. "D" and "E1" do not include mold flash or protrusions.
  - Mold flash or protrusions shall not exceed 0.15 mm (0.006 inch).
  - Critical dimensions are "a3", "E" and "G".

## 9.2 SO24 package information

Figure 40. SO24 package outline



Table 9. SO24 package mechanical data

| Symbol           | Dimensions (mm)      |      |       | Dimensions (inch) |       |       |
|------------------|----------------------|------|-------|-------------------|-------|-------|
|                  | Min.                 | Typ. | Max.  | Min.              | Typ.  | Max.  |
| A                | 2.35                 | -    | 2.65  | 0.093             | -     | 0.104 |
| A1               | 0.10                 | -    | 0.30  | 0.004             | -     | 0.012 |
| B                | 0.33                 | -    | 0.51  | 0.013             | -     | 0.020 |
| C                | 0.23                 | -    | 0.32  | 0.009             | -     | 0.013 |
| D <sup>(1)</sup> | 15.20                | -    | 15.60 | 0.598             | -     | 0.614 |
| E                | 7.40                 | -    | 7.60  | 0.291             | -     | 0.299 |
| e                | -                    | 1.27 | -     | -                 | 0.050 | -     |
| H                | 10.0                 | -    | 10.65 | 0.394             | -     | 0.419 |
| h                | 0.25                 | -    | 0.75  | 0.010             | -     | 0.030 |
| L                | 0.40                 | -    | 1.27  | 0.016             | -     | 0.050 |
| k                | 0° (min.), 8° (max.) |      |       |                   |       |       |
| ddd              | -                    | -    | 0.10  | -                 | -     | 0.004 |

1. "D" dimension does not include mold flash, protrusions or gate burrs. Mold flash, protrusions or gate burrs shall not exceed 0.15 mm per side.



## 10 Revision history

**Table 10. Document revision history**

| Date        | Revision | Changes   |
|-------------|----------|---|
| 03-Sep-2003 | 1        | Initial release.  |
| 20-Feb-2014 | 2        | <p>Updated <i>Section : Description on page 1</i> (removed "MultiPower-" from "MultiPower-BCD technology").</p> <p>Added <i>Contents on page 2</i>.</p> <p>Updated <i>Section 1: Block diagram</i> (added section title, numbered and moved <i>Figure 1: Block diagram</i> from page 1 to page 3).</p> <p>Added title to <i>Section 2: Maximum ratings on page 4</i>, added numbers and titles from <i>Table 1: Absolute maximum ratings</i> to <i>Table 3: Thermal data</i>.</p> <p>Added title to <i>Section 3: Pin connections on page 6</i>, added number and title to <i>Figure 2: Pin connections (top view)</i>, renumbered note 1 below <i>Figure 2</i>, added title to <i>Table 4: Pin description</i>, renumbered note 1 below <i>Table 4</i>.</p> <p>Added title to <i>Section 4: Electrical characteristics on page 8</i>, added title and number to <i>Table 5</i>, renumbered notes 1 to 7 below <i>Table 5</i>. Renumbered <i>Figure 3</i> to <i>Figure 7</i>.</p> <p>Added section numbers to <i>Section 5: Circuit description on page 12</i>, <i>Section 5.1</i> and <i>Section 5.2</i>. Removed "and uC" from first sentence in <i>Section 5.2</i>. Renumbered <i>Table 6</i>, added header to <i>Table 6</i>. Renumbered <i>Figure 8</i> to <i>Figure 11</i>.</p> <p>Added numbers to <i>Section 6: PWM current control on page 14</i>. Renumbered <i>Figure 12</i> to <i>Figure 15</i>. Added titles to <i>Equation 1: on page 15</i> till <i>Equation 4: on page 16</i>.</p> <p>Added section numbers to <i>Section 7: Decay modes on page 18</i> and <i>Section 7.1</i> to <i>Section 7.6 on page 23</i>). Renumbered <i>Figure 16</i> to <i>Figure 24</i>.</p> <p>Added section numbers to <i>Section 8: Application information on page 24</i>, <i>Section 8.1</i> and <i>Section 8.2</i>. Renumbered <i>Table 7</i>, added header to <i>Table 7</i>. Renumbered <i>Figure 25</i> to <i>Figure 39</i>.</p> <p>Updated <i>Section 9: Package information on page 30</i> (added main title and ECOPACK text. Added titles from <i>Table 8: PowerSO36 package mechanical data</i> to <i>Table 10: SO24 package mechanical data</i> and from <i>Figure 40: PowerSO36 package outline</i> to <i>Figure 42: SO24 package outline</i>, reversed order of named tables and figures. Removed 3D figures of packages, replaced 0.200 by 0.020 inch of max. B value in <i>Table 10</i>).</p> <p>Added cross-references throughout document.</p> <p>Added <i>Section 10: Revision history</i> and <i>Table 11</i>.</p> <p>Minor modifications throughout document.</p> |
| 03-Oct-2018 | 3        | <p>Removed PowerDIP24 package from the whole document.</p> <p>Removed "T<sub>j</sub>" from <i>Table 2 on page 4</i>.</p> <p>Minor modifications throughout document.</p>  |

**IMPORTANT NOTICE – PLEASE READ CAREFULLY**

STMicroelectronics NV and its subsidiaries ("ST") reserve the right to make changes, corrections, enhancements, modifications, and improvements to ST products and/or to this document at any time without notice. Purchasers should obtain the latest relevant information on ST products before placing orders. ST products are sold pursuant to ST's terms and conditions of sale in place at the time of order acknowledgement.

Purchasers are solely responsible for the choice, selection, and use of ST products and ST assumes no liability for application assistance or the design of Purchasers' products.

No license, express or implied, to any intellectual property right is granted by ST herein.

Resale of ST products with provisions different from the information set forth herein shall void any warranty granted by ST for such product.

ST and the ST logo are trademarks of ST. All other product or service names are the property of their respective owners.

Information in this document supersedes and replaces information previously supplied in any prior versions of this document.

© 2018 STMicroelectronics – All rights reserved

Компания «Life Electronics» занимается поставками электронных компонентов импортного и отечественного производства от производителей и со складов крупных дистрибьюторов Европы, Америки и Азии.

С конца 2013 года компания активно расширяет линейку поставок компонентов по направлению коаксиальный кабель, кварцевые генераторы и конденсаторы (керамические, пленочные, электролитические), за счёт заключения дистрибьюторских договоров

Мы предлагаем:

- Конкурентоспособные цены и скидки постоянным клиентам.
- Специальные условия для постоянных клиентов.
- Подбор аналогов.
- Поставку компонентов в любых объемах, удовлетворяющих вашим потребностям.
- Приемлемые сроки поставки, возможна ускоренная поставка.
- Доставку товара в любую точку России и стран СНГ.
- Комплексную поставку.
- Работу по проектам и поставку образцов.
- Формирование склада под заказчика.
- Сертификаты соответствия на поставляемую продукцию (по желанию клиента).
- Тестирование поставляемой продукции.
- Поставку компонентов, требующих военную и космическую приемку.
- Входной контроль качества.
- Наличие сертификата ISO.

В составе нашей компании организован Конструкторский отдел, призванный помогать разработчикам, и инженерам.

Конструкторский отдел помогает осуществить:

- Регистрацию проекта у производителя компонентов.
- Техническую поддержку проекта.
- Защиту от снятия компонента с производства.
- Оценку стоимости проекта по компонентам.
- Изготовление тестовой платы монтаж и пусконаладочные работы.



Тел: +7 (812) 336 43 04 (многоканальный)

Email: [org@lifeelectronics.ru](mailto:org@lifeelectronics.ru)