

4

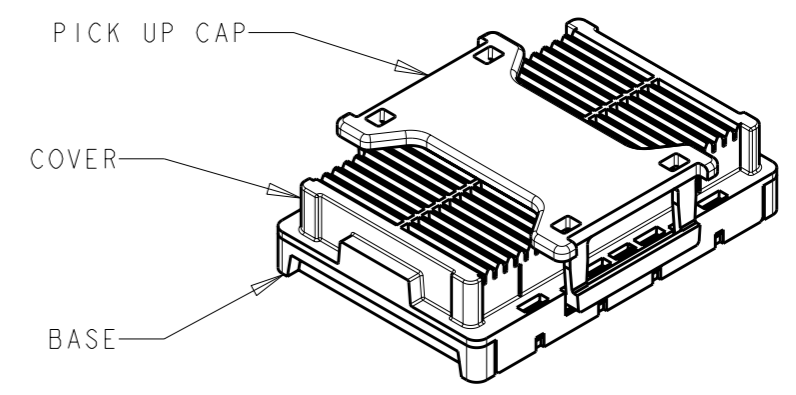
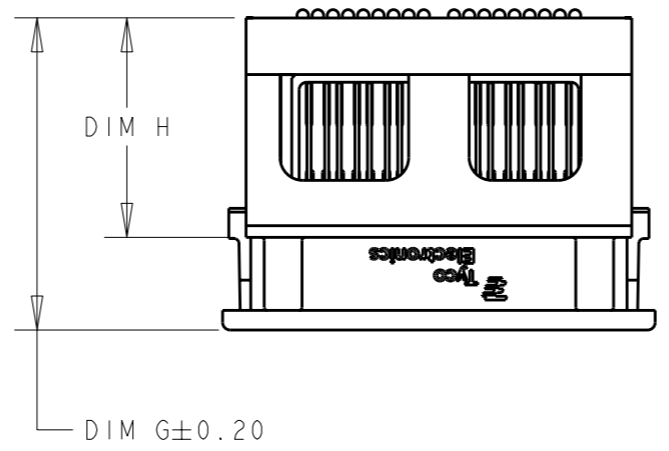
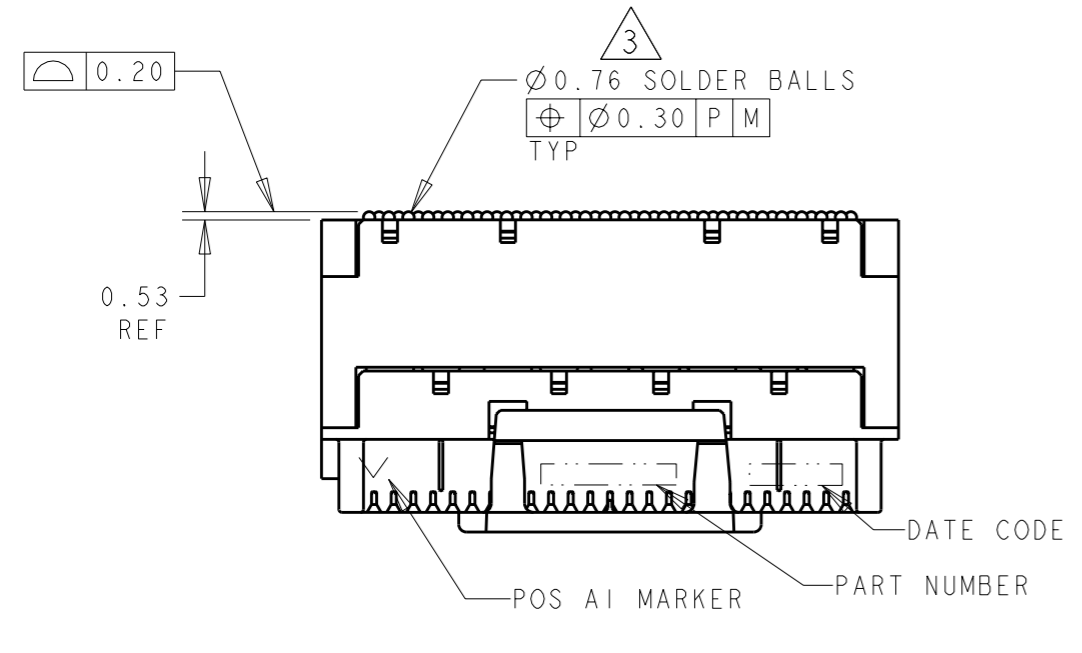
3

2

1

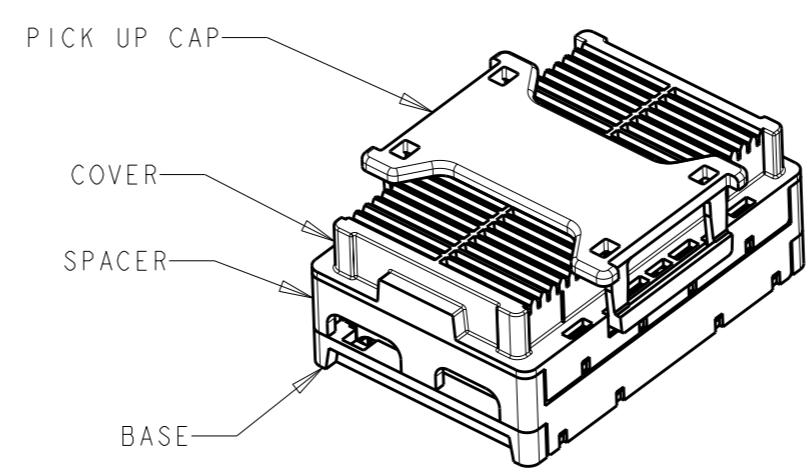
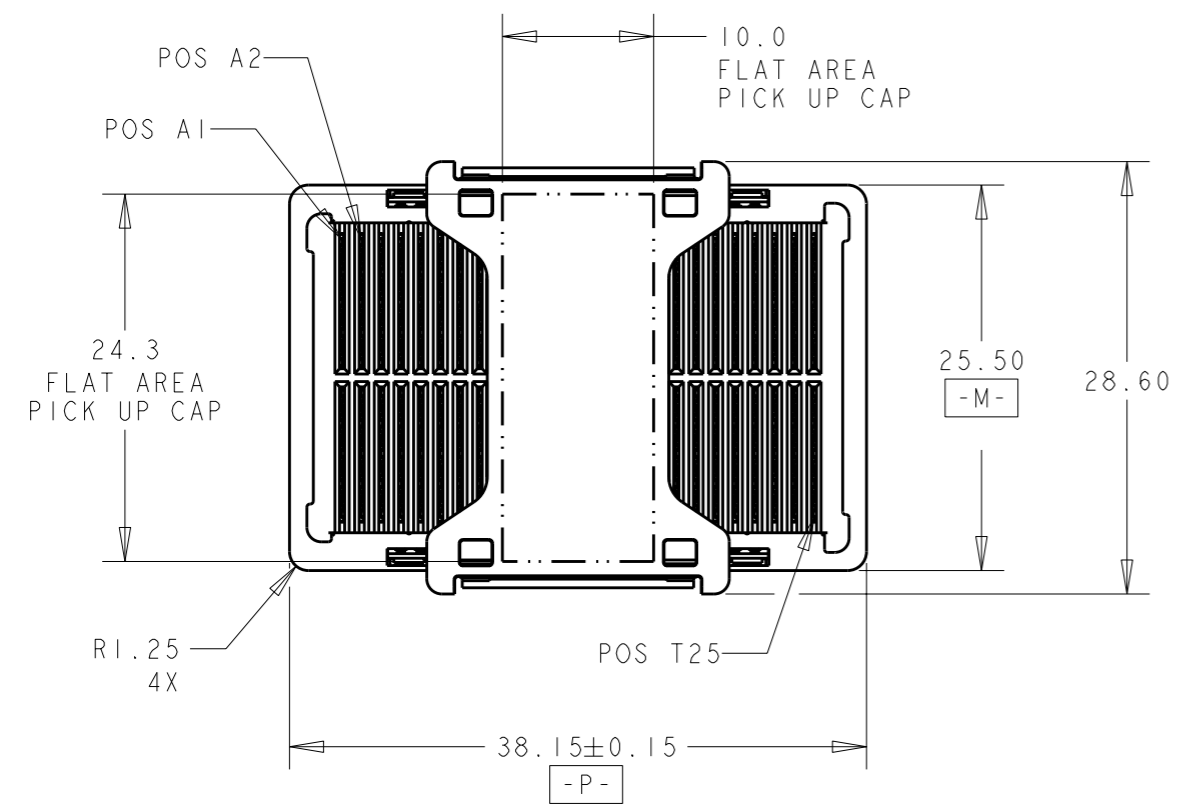
THIS DRAWING IS UNPUBLISHED. RELEASED FOR PUBLICATION 20
 © COPYRIGHT 20 BY - ALL RIGHTS RESERVED.

LOC	DIST	REVISIONS			
P	LTR	DESCRIPTION	DATE	DWN	APVD
GP	00	A5	REVISED PER ECO-11-005027	16MAR2011	RK HMR

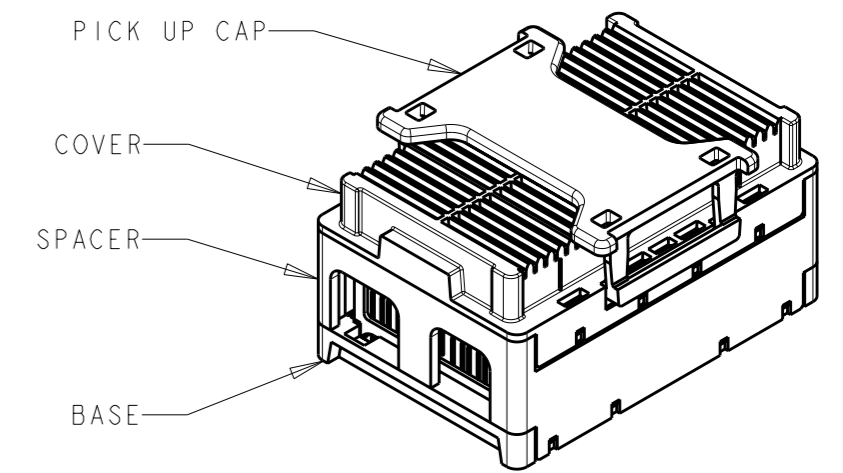


ISOMETRIC VIEW
 TYPICAL CONFIGURATION
 FOR 5mm ASSEMBLY
 SCALE 3:2

TYPICAL ASSEMBLY
 15mm SHOWN
 SCALE 2:1



ISOMETRIC VIEW
 TYPICAL CONFIGURATION
 FOR 11mm ASSEMBLY
 SCALE 3:2



ISOMETRIC VIEW
 TYPICAL CONFIGURATION
 FOR 15mm ASSEMBLY
 SCALE 3:2

THIS DRAWING IS A CONTROLLED DOCUMENT.		DWN P BRANDBERG 21DEC04	TE Connectivity			
DIMENSIONS: mm		CHK D WERTZ 05JAN05				
TOLERANCES UNLESS OTHERWISE SPECIFIED:		APVD D WERTZ 05JAN05	NAME STEP-Z, RECEPTACLE ASSEMBLY, 200 SIGNAL POSITION			
0 PLC ±-		PRODUCT SPEC 108-2143	SIZE CAGE CODE DRAWING NO RESTRICTED TO			
1 PLC ±0.3		APPLICATION SPEC 114-13101	A3	00779	C-1761615	-
2 PLC ±0.10		WEIGHT -	SCALE - SHEET 1 OF 6 REV A5			
3 PLC ±0.050		CUSTOMER DRAWING				
4 PLC ±-						
ANGLES ±2°						
MATERIAL FINISH						
1		2				

THIS DRAWING IS UNPUBLISHED. RELEASED FOR PUBLICATION 20
 © COPYRIGHT 20 BY - ALL RIGHTS RESERVED.

LOC	DIST	REVISIONS			
P	LTR	DESCRIPTION	DATE	DWN	APVD
GP	00	-	SEE SHEET 1	-	-

- 1 MATERIAL:
 BASE, SPACER, COVER: THERMOPLASTIC
 PICK UP CAP: THERMOPLASTIC
 CONTACT: COPPER ALLOY
 SOLDER BALL: Sn/Pb FOR P/N 1761615-1 THRU 5-1761615-0
 Sn/Ag FOR P/N 5-1761615-1 THRU 9-1761615-9
- 2 FINISH:
 CONTACT: 0.00076 MIN GOLD OVER 0.00127 MIN NICKEL.
 (30µ" MIN GOLD OVER 50µ" MIN NICKEL)
- 3 SOLDER BALLS WILL NOT BE PERFECT
 SPHERICAL SHAPE DUE TO REFLOW ATTACHMENT.
- 4 CONTACTS IN ROWS A,C,E,G,J,K,M,P,R, AND T
 ARE SINGLE BEAM CONTACTS,
 TYPICALLY USED AS GROUND PINS.
 (NOTE: CONTACTS IN ROWS J & K ARE TIED
 TOGETHER [COMMONED]).
- 5 CONTACTS IN ROWS B,D,F,H,L,N,Q, AND S
 ARE DUAL BEAM CONTACTS,
 TYPICALLY USED AS SIGNAL PINS.
- 6 SPECIFIED POSITIONAL TOLERANCE DEFINES PAD TO PAD
 LOCATION WITHIN LAND PATTERN. POSITIONAL TOLERANCE
 OF LAND PATTERN TO FUDICIAL MARKS OR PCB DATUMS
 SHALL BE DEFINED BY CUSTOMER. FOR RECOMMENDED
 PRODUCT APPLICATION AND PCB DESIGN DETAILS, SEE
 APPLICATION SPEC 114-13101.
- 7 SOLDER PADS UNUSED, MAY BE OMITTED.
- 8 REFERENCE BOARD PATTERN FOR DIMENSIONS
 AND DETAILS NOT SHOWN.

DIM H	DIM G	LOAD STYLE	DESCRIPTION	PART NUMBER
14.51	20.65	SELECT LOAD-112 POSN-SEE VIEW 35	15mm Sn/Ag	8-1761615-5
14.51	20.65	SELECT LOAD-104 POSN-SEE VIEW 32	15mm Sn/Ag	8-1761615-2
4.51	10.65	SELECT LOAD-104 POSN-SEE VIEW 31	5mm Sn/Ag	8-1761615-1
14.51	20.65	FULL LOAD-200 POSN	15mm Sn/Ag	6-1761615-5
10.51	16.65	FULL LOAD-200 POSN	11mm Sn/Ag	6-1761615-1
4.51	10.65	FULL LOAD-200 POSN	5mm Sn/Ag	5-1761615-5
14.51	20.65	SELECT LOAD-120 POSN-SEE VIEW 33	15mm Sn/Pb	3-1761615-3
14.51	20.65	SELECT LOAD-104 POSN-SEE VIEW 32	15mm Sn/Pb	3-1761615-2
4.51	10.65	SELECT LOAD-104 POSN-SEE VIEW 31	5mm Sn/Pb	3-1761615-1
14.51	20.65	FULL LOAD-200 POSN	15mm Sn/Pb	1-1761615-5
10.51	16.65	FULL LOAD-200 POSN	11mm Sn/Pb	1-1761615-1
4.51	10.65	FULL LOAD-200 POSN	5mm Sn/Pb	1761615-5

THIS DRAWING IS A CONTROLLED DOCUMENT.		DWN P BRANDBERG 21DEC04	STE TE Connectivity	
		CHK D WERTZ 05JAN05		
DIMENSIONS: mm		APVD D WERTZ 05JAN05	NAME STEP-Z, RECEPTACLE ASSEMBLY, 200 SIGNAL POSITION	
TOLERANCES UNLESS OTHERWISE SPECIFIED: 0 PLC ±- 1 PLC ±0.3 2 PLC ±0.10 3 PLC ±0.050 4 PLC ±- ANGLES ±2°		PRODUCT SPEC 108-2143	RESTRICTED TO	
MATERIAL -		APPLICATION SPEC 114-13101	SIZE A3	CAGE CODE 00779
FINISH -		WEIGHT -	DRAWING NO 1761615	REV A5
CUSTOMER DRAWING			SCALE -	SHEET 2 OF 6

THIS DRAWING IS UNPUBLISHED.

RELEASED FOR PUBLICATION

20

© COPYRIGHT 20 BY -

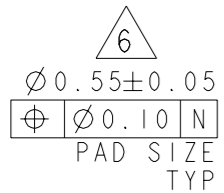
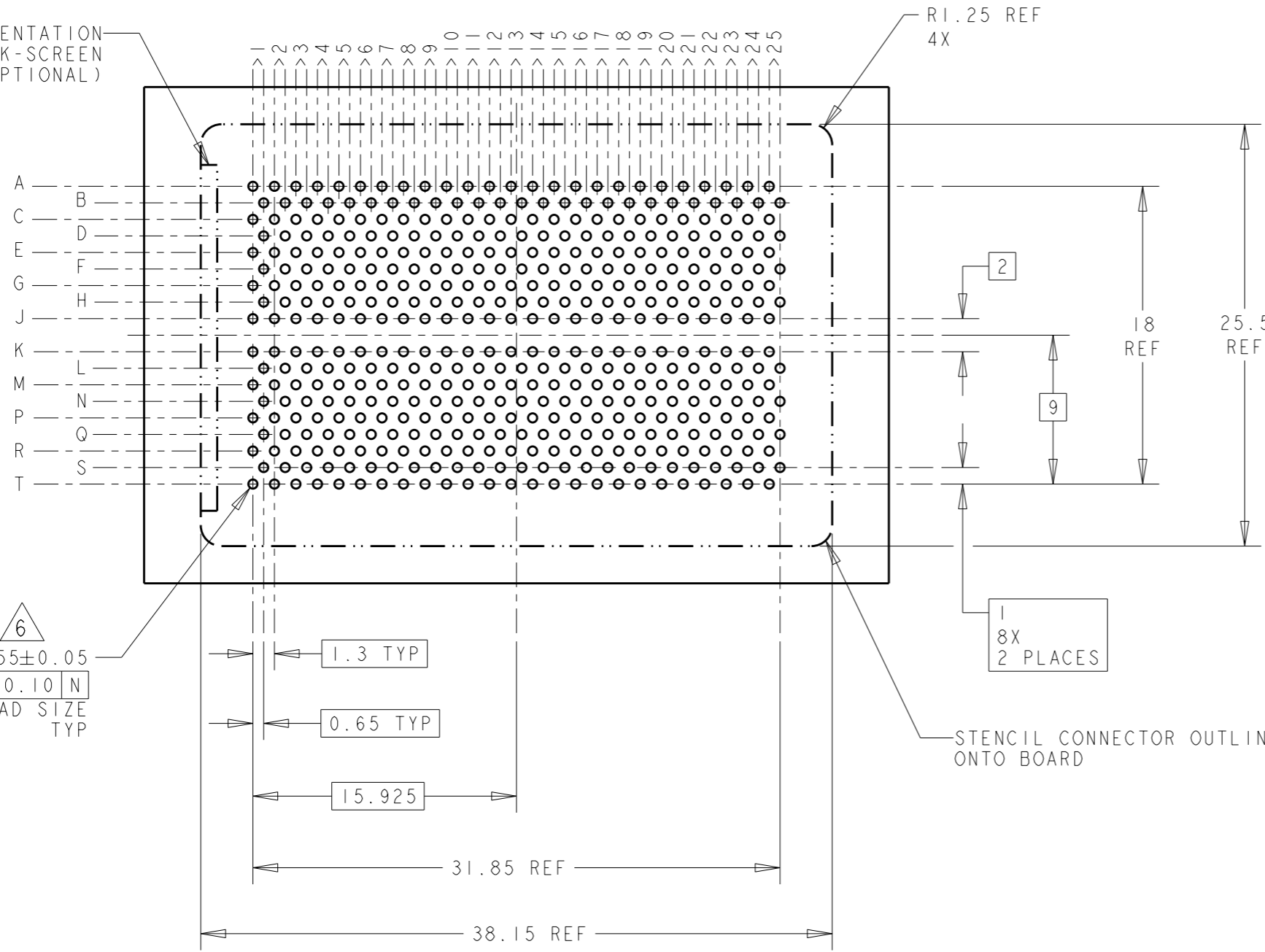
ALL RIGHTS RESERVED.

LOC GP DIST 00

REVISIONS

P	LTR	DESCRIPTION	DATE	DWN	APVD
-	-	SEE SHEET 1	-	-	-

KEY ORIENTATION SILK-SCREEN (OPTIONAL)



4 5 BOARD PATTERN SCALE 3:1

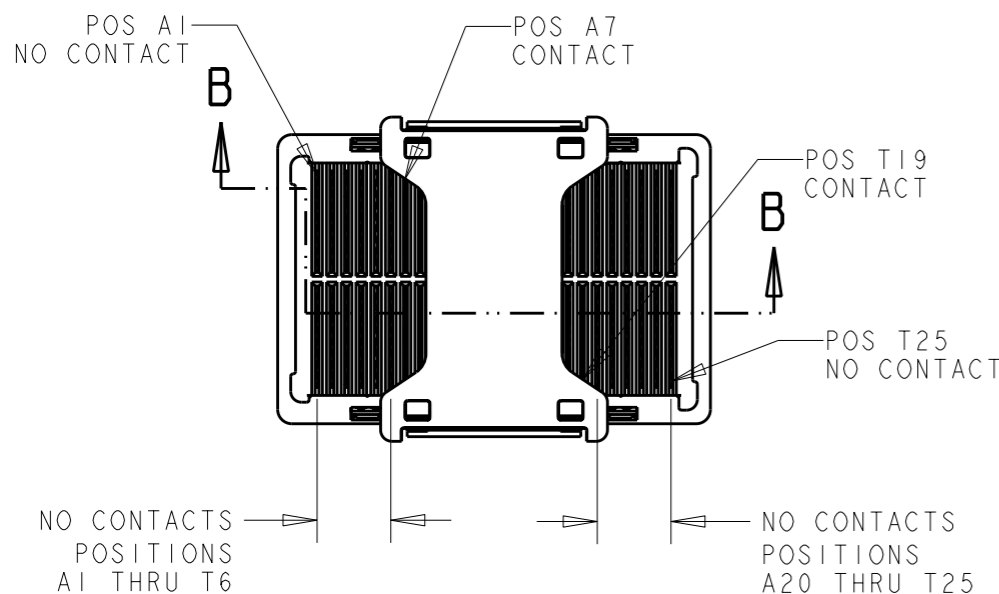
THIS DRAWING IS A CONTROLLED DOCUMENT.	
DIMENSIONS: mm	TOLERANCES UNLESS OTHERWISE SPECIFIED:
	0 PLC ±-
	1 PLC ±0.3
	2 PLC ±0.10
	3 PLC ±0.050
	4 PLC ±-
	ANGLES ±2°
MATERIAL -	FINISH -

DWN P BRANDBERG 21DEC04
CHK D WERTZ 05JAN05
APVD D WERTZ 05JAN05
PRODUCT SPEC 108-2143
APPLICATION SPEC 114-13101
WEIGHT -
CUSTOMER DRAWING

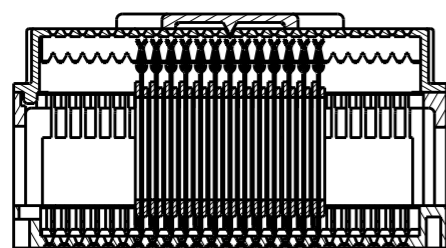
TE Connectivity		NAME	
		STEP-Z, RECEPTACLE ASSEMBLY, 200 SIGNAL POSITION	
SIZE	CAGE CODE	DRAWING NO	RESTRICTED TO
A3	00779	C-1761615	-
SCALE -		SHEET 3 OF 6	REV A5

THIS DRAWING IS UNPUBLISHED. RELEASED FOR PUBLICATION 20
 © COPYRIGHT 20 BY - ALL RIGHTS RESERVED.

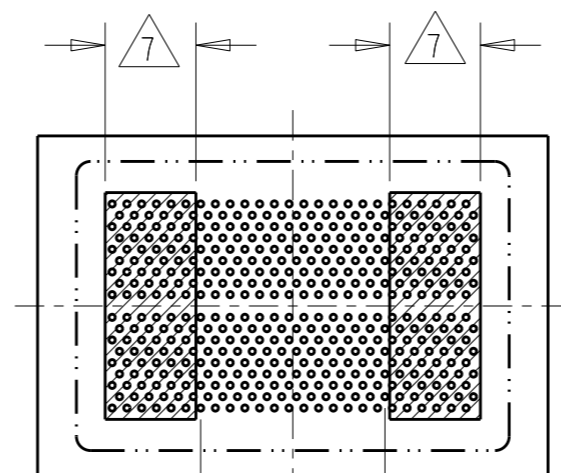
LOC	DIST	REVISIONS				
P	LTR	DESCRIPTION	DATE	DWN	APVD	
GP	00	SEE SHEET 1	-	-	-	



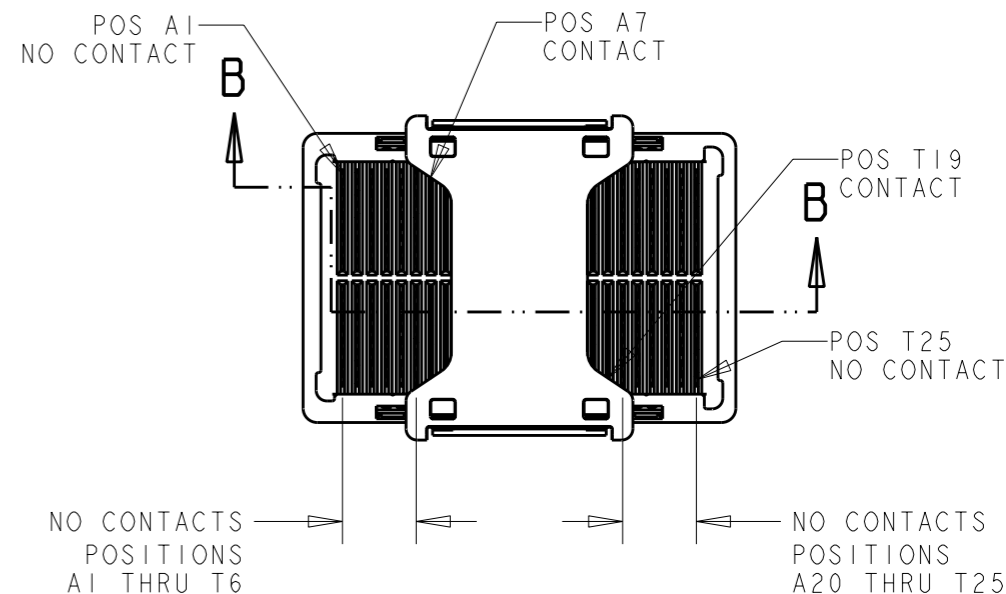
VIEW 32
 SELECT LOAD 15mm 104 POSITION
 SCALE 3:2



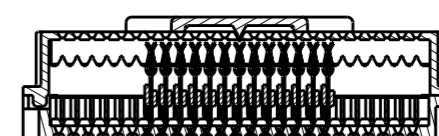
SECTION B-B




VIEW 31 & VIEW 32
 SELECT LOAD 104 POSITION
 BOARD PATTERN
 SCALE 3:2



VIEW 31
 SELECT LOAD 5mm 104 POSITION
 SCALE 3:2



SECTION B-B

THIS DRAWING IS A CONTROLLED DOCUMENT.		DWN P BRANDBERG 21DEC04	 TE Connectivity	
DIMENSIONS: mm		CHK D WERTZ 05JAN05		
TOLERANCES UNLESS OTHERWISE SPECIFIED:		APVD D WERTZ 05JAN05	NAME STEP-Z, RECEPTACLE ASSEMBLY, 200 SIGNAL POSITION	
0 PLC ±- 1 PLC ±0.3 2 PLC ±0.10 3 PLC ±0.050 4 PLC ±- ANGLES ±2°		PRODUCT SPEC 108-2143	SIZE A3	
MATERIAL -		APPLICATION SPEC 114-13101	CAGE CODE 00779	DRAWING NO C-1761615
FINISH -		WEIGHT -	RESTRICTED TO -	
CUSTOMER DRAWING			SCALE -	SHEET 4 OF 6 REV A5

THIS DRAWING IS UNPUBLISHED.

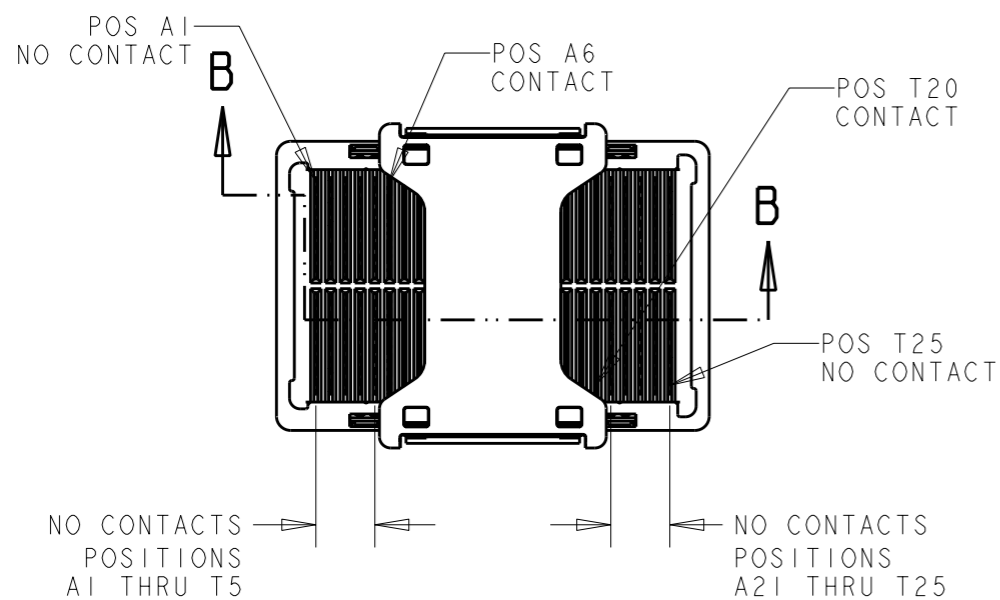
RELEASED FOR PUBLICATION

20

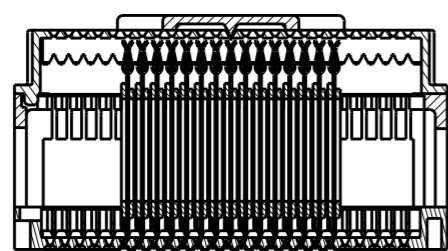
© COPYRIGHT 20 BY -

ALL RIGHTS RESERVED.

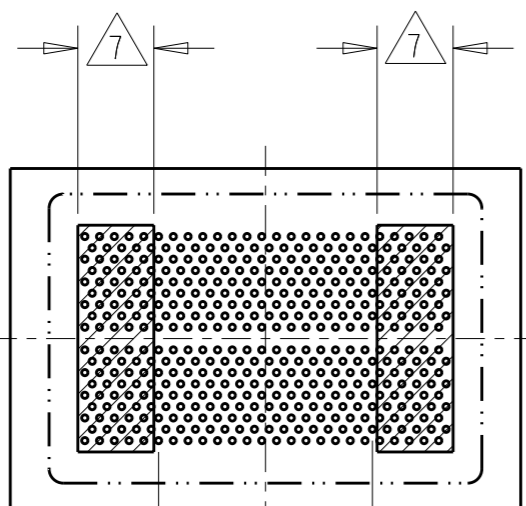
LOC	DIST	REVISIONS				
P	LTR	DESCRIPTION	DATE	DWN	APVD	
GP	00	-	SEE SHEET 1	-	-	



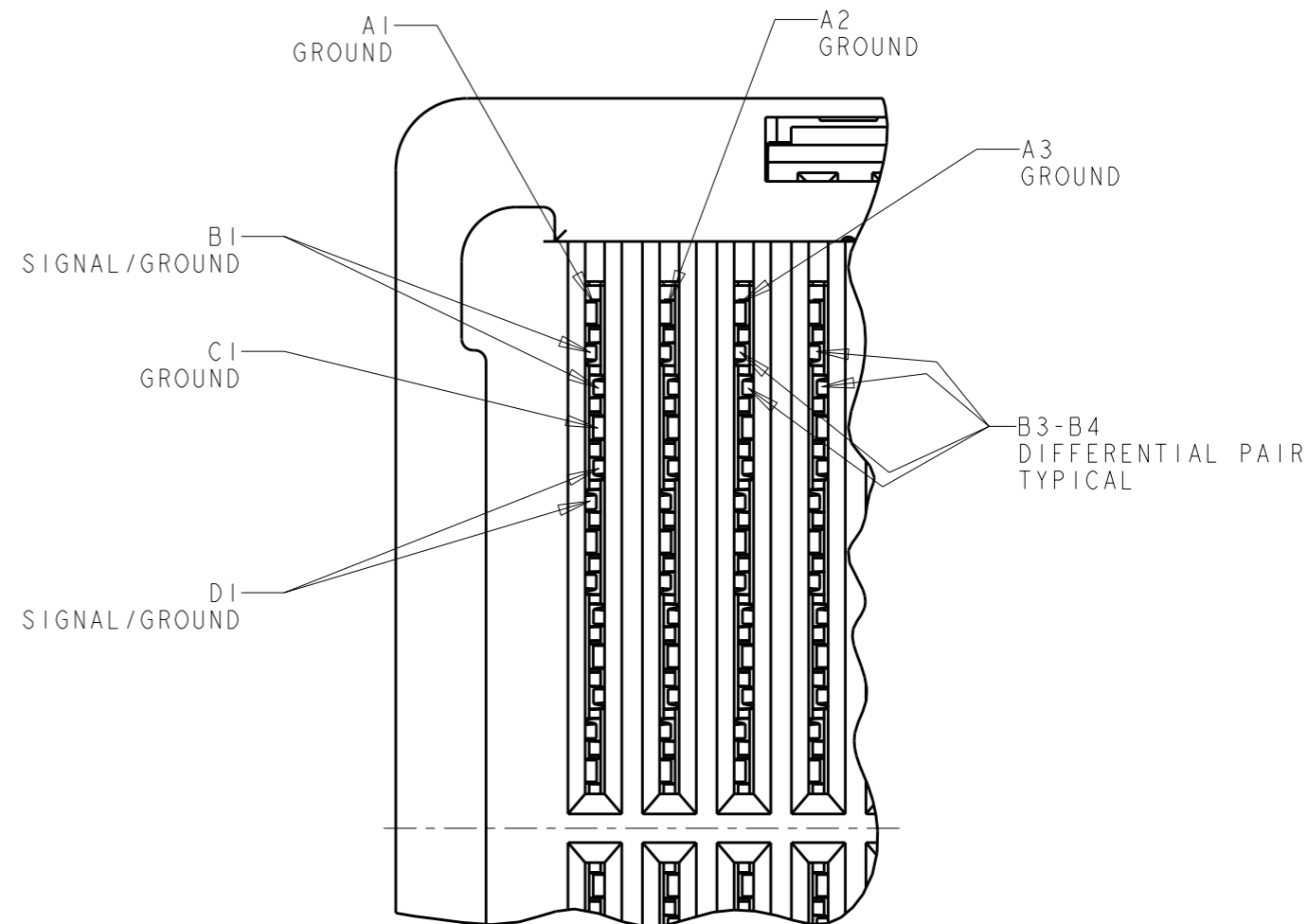
VIEW 33
SELECT LOAD 15mm 120 POSITION
SCALE 3:2




SECTION B-B



VIEW 33
SELECT LOAD 120 POSITION
BOARD PATTERN
SCALE 3:2



RECEPTACLE INTERFACE
SCALE 8:1

THIS DRAWING IS A CONTROLLED DOCUMENT.		DWN P BRANDBERG 21DEC04	 TE Connectivity	
DIMENSIONS: mm		CHK D WERTZ 05JAN05		
TOLERANCES UNLESS OTHERWISE SPECIFIED:		APVD D WERTZ 05JAN05	NAME STEP-Z, RECEPTACLE ASSEMBLY, 200 SIGNAL POSITION	
0 PLC ±- 1 PLC ±0.3 2 PLC ±0.10 3 PLC ±0.050 4 PLC ±- ANGLES ±2°		PRODUCT SPEC 108-2143	SIZE A3	
MATERIAL -		APPLICATION SPEC 114-13101	CAGE CODE 00779	DRAWING NO C-1761615
FINISH -		WEIGHT -	RESTRICTED TO -	
		CUSTOMER DRAWING	SCALE -	SHEET 5 OF 6 REV A5

THIS DRAWING IS UNPUBLISHED.

RELEASED FOR PUBLICATION

20

© COPYRIGHT 20 BY -

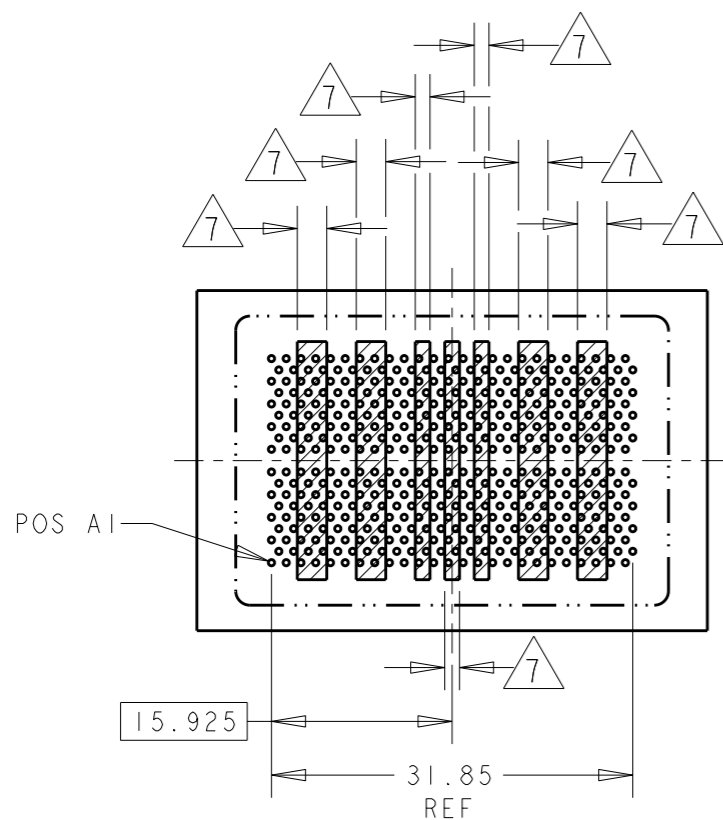
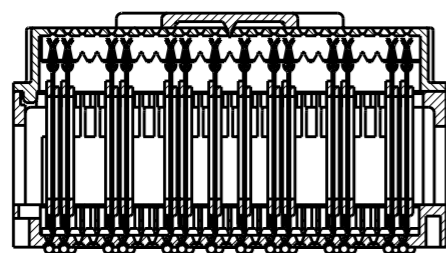
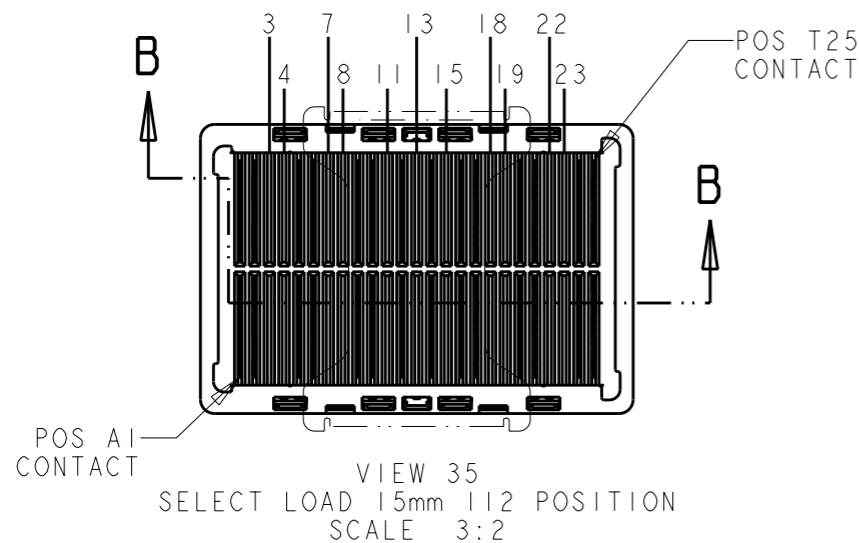
ALL RIGHTS RESERVED.

LOC GP DIST 00

REVISIONS

P	LTR	DESCRIPTION	DATE	DWN	APVD
-	-	SEE SHEET 1	-	-	-

NO CONTACTS IN THESE COLUMNS



THIS DRAWING IS A CONTROLLED DOCUMENT.		DWN P BRANDBERG 21DEC04		TE Connectivity	
DIMENSIONS: mm		CHK D WERTZ 05JAN05			
		TOLERANCES UNLESS OTHERWISE SPECIFIED:		NAME STEP-Z, RECEPTACLE ASSEMBLY, 200 SIGNAL POSITION	
		0 PLC ±- 1 PLC ±0.3 2 PLC ±0.10 3 PLC ±0.050 4 PLC ±- ANGLES ±2°		APVD D WERTZ 05JAN05	
MATERIAL -		FINISH -		PRODUCT SPEC 108-2143	
				APPLICATION SPEC 114-13101	
				WEIGHT -	
				SIZE A3 CAGE CODE 00779 DRAWING NO C-1761615 RESTRICTED TO -	
				CUSTOMER DRAWING SCALE - SHEET 6 OF 6 REV A5	

Компания «Life Electronics» занимается поставками электронных компонентов импортного и отечественного производства от производителей и со складов крупных дистрибьюторов Европы, Америки и Азии.

С конца 2013 года компания активно расширяет линейку поставок компонентов по направлению коаксиальный кабель, кварцевые генераторы и конденсаторы (керамические, пленочные, электролитические), за счёт заключения дистрибьюторских договоров

Мы предлагаем:

- Конкурентоспособные цены и скидки постоянным клиентам.
- Специальные условия для постоянных клиентов.
- Подбор аналогов.
- Поставку компонентов в любых объемах, удовлетворяющих вашим потребностям.
- Приемлемые сроки поставки, возможна ускоренная поставка.
- Доставку товара в любую точку России и стран СНГ.
- Комплексную поставку.
- Работу по проектам и поставку образцов.
- Формирование склада под заказчика.
- Сертификаты соответствия на поставляемую продукцию (по желанию клиента).
- Тестирование поставляемой продукции.
- Поставку компонентов, требующих военную и космическую приемку.
- Входной контроль качества.
- Наличие сертификата ISO.

В составе нашей компании организован Конструкторский отдел, призванный помогать разработчикам, и инженерам.

Конструкторский отдел помогает осуществить:

- Регистрацию проекта у производителя компонентов.
- Техническую поддержку проекта.
- Защиту от снятия компонента с производства.
- Оценку стоимости проекта по компонентам.
- Изготовление тестовой платы монтаж и пусконаладочные работы.



Тел: +7 (812) 336 43 04 (многоканальный)

Email: org@lifeelectronics.ru