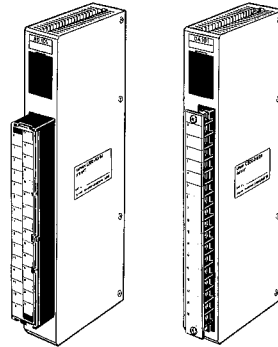


# C120/C500/C1000H/C2000H

## Analog I/O Modules

Cat. No. W121-E3-1








## Notice:

OMRON products are manufactured for use according to proper procedures by a qualified operator and only for the purposes described in this manual.

The following conventions are used to indicate and classify precautions in this manual. Always heed the information provided with them. Failure to heed precautions can result in injury to people or damage to the product.

 **DANGER!** Indicates information that, if not heeded, is likely to result in loss of life or serious injury.

 **WARNING** Indicates information that, if not heeded, could possibly result in loss of life or serious injury.

 **Caution** Indicates information that, if not heeded, could result in relatively serious or minor injury, damage to the product, or faulty operation.

## OMRON Product References

All OMRON products are capitalized in this manual. The terms *Unit* and *Module* are capitalized when referring to an OMRON product.

The abbreviation “Ch,” which appears in some displays and on some OMRON products, often means “word” and is abbreviated “Wd” in documentation in this sense.

The abbreviation “PLC” means Programmable Controller and is not used as an abbreviation for anything else.

## Visual Aids

The following headings appear in the left column of the manual to help you locate different types of information.

**Note** Indicates information of particular interest for efficient and convenient operation of the product.

**1, 2, 3...** 1. Indicates lists of one sort or another, such as procedures, checklists, etc.

### © OMRON, 1996

All rights reserved. No part of this publication may be reproduced, stored in a retrieval system, or transmitted, in any form, or by any means, mechanical, electronic, photocopying, recording, or otherwise, without the prior written permission of OMRON.

No patent liability is assumed with respect to the use of the information contained herein. Moreover, because OMRON is constantly striving to improve its high-quality products, the information contained in this manual is subject to change without notice. Every precaution has been taken in the preparation of this manual. Nevertheless, OMRON assumes no responsibility for errors or omissions. Neither is any liability assumed for damages resulting from the use of the information contained in this publication.



# TABLE OF CONTENTS

## SECTION 1

|                                  |          |
|----------------------------------|----------|
| <b>System Design</b> .....       | <b>1</b> |
| 1-1 Introduction .....           | 2        |
| 1-2 Basic Configuration .....    | 2        |
| 1-3 Example Configurations ..... | 3        |
| 1-4 Allocated Words .....        | 3        |

## SECTION 2

|   |          |
|---|----------|
| <b>Components and Switch Settings</b> ..... | <b>5</b> |
| 2-1 AD101 Analog Input Modules .....        | 6        |
| 2-2 DA101 Analog Output Modules .....       | 9        |

## SECTION 3

|   |           |
|---|-----------|
| <b>Installation</b> .....                           | <b>11</b> |
| 3-1 AD001 through AD005 Analog Input Modules .....  | 12        |
| 3-2 AD006 and AD007 Analog Input Modules .....      | 15        |
| 3-3 AD101 Analog Input Modules .....                | 18        |
| 3-4 DA001 through DA005 Analog Output Modules ..... | 21        |
| 3-5 DA101 Analog Output Modules .....               | 24        |

## SECTION 4

|   |           |
|---|-----------|
| <b>Operation</b> .....                              | <b>27</b> |
| 4-1 AD001 through AD005 Analog Input Modules .....  | 28        |
| 4-2 AD006 and AD007 Analog Input Modules .....      | 30        |
| 4-3 AD101 Analog Input Modules .....                | 31        |
| 4-4 DA001 through DA005 Analog Output Modules ..... | 40        |
| 4-5 DA101 Analog Output Modules .....               | 43        |

## SECTION 5

|   |           |
|---|-----------|
| <b>Programming Considerations</b> .....             | <b>47</b> |
| 5-1 AD001 through AD005 Analog Input Modules .....  | 48        |
| 5-2 AD006 and AD007 Analog Input Modules .....      | 50        |
| 5-3 AD101 Analog Input Modules .....                | 52        |
| 5-4 DA001 through DA005 Analog Output Modules ..... | 69        |
| 5-5 DA101 Analog Output Modules .....               | 71        |

|   |           |
|---|-----------|
| <b>Appendix A – Standard Models</b> ..... | <b>73</b> |
|---|-----------|

|  |           |
|--|-----------|
| <b>Appendix B – Specifications</b> ..... | <b>75</b> |
|--|-----------|

|                    |           |
|--------------------|-----------|
| <b>Index</b> ..... | <b>81</b> |
|--------------------|-----------|

|                               |           |
|-------------------------------|-----------|
| <b>Revision History</b> ..... | <b>83</b> |
|-------------------------------|-----------|



## About this Manual:

This manual describes the installation and operation of Analog Input Modules and Analog Output Modules for the C120, C500, C1000H, and C2000H SYSMAC C-series PLCs. These Modules are classified as Special I/O Modules and include the following:

### Analog Input Modules

The Analog Input Modules convert analog inputs to digital (binary) form. The type and range of input as well as the digital format depend on the model. Some models provide additional features such as peak values, means, or scaling.

| PLC                      | Applicable models   |
|--------------------------|---|
| C120                     | 3G2A6-AD001<br>3G2A6-AD002<br>3G2A6-AD003<br>3G2A6-AD004<br>3G2A6-AD005<br>3G2A6-AD006<br>3G2A6-AD007               |
| C500<br>C1000H<br>C2000H | C500-AD101<br>3G2A5-AD001<br>3G2A5-AD002<br>3G2A5-AD003<br>3G2A5-AD004<br>3G2A5-AD005<br>3G2A5-AD006<br>3G2A5-AD007 |

### Analog Output Modules

Analog Output Modules convert digital (binary) data to analog outputs. The type and range of output as well as the digital format depend on the model.

| PLC                      | Applicable models   |
|--------------------------|---|
| C120                     | 3G2A6-DA001<br>3G2A6-DA002<br>3G2A6-DA003<br>3G2A6-DA004<br>3G2A6-DA005               |
| C500<br>C1000H<br>C2000H | C500-DA101<br>3G2A5-DA001<br>3G2A5-DA002<br>3G2A5-DA003<br>3G2A5-DA004<br>3G2A5-DA005 |

Be sure to familiarize yourself with the information in this manual and your PLC's *Operation Manual* before you try to install or use an Analog I/O Module.

### Model References

If an Analog I/O Module is referred to using only the last half of the model number (i.e., 3G2A5 or 3G2A6 is omitted), the information being provided applies to all Modules whose model number ends with the number given.





# SECTION 1

## System Design

This section describes the basic use of Analog I/O Modules in a Control System and illustrates the type of applications in which they might be found.

|       |   |   |
|-------|---|---|
| 1-1   | Introduction .....                              | 2 |
| 1-2   | Basic Configuration .....                       | 2 |
| 1-3   | Example Configurations .....                    | 3 |
| 1-4   | Allocated Words .....                           | 3 |
| 1-4-1 | AD001 through AD005 Analog Input Modules .....  | 4 |
| 1-4-2 | AD006 and AD007 Analog Input Modules .....      | 4 |
| 1-4-3 | AD101 Analog Input Modules .....                | 4 |
| 1-4-4 | DA001 through DA005 Analog Output Modules ..... | 4 |
| 1-4-5 | DA101 Analog Output Modules .....               | 4 |

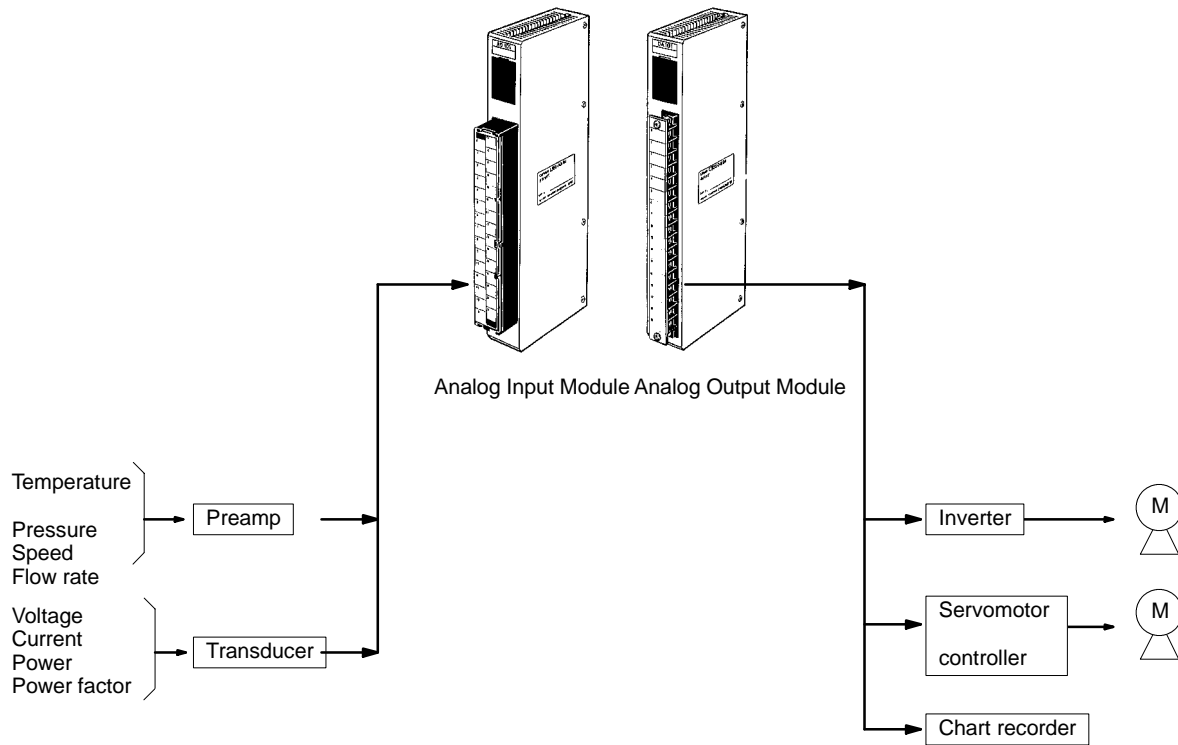
# 1-1 Introduction

Analog I/O Modules are used to interface the digital operation of the PLC with analog I/O field devices. Analog Input Modules convert analog signal from input devices to digital PLC data. Analog Output Modules convert digital PLC data to analog signals for output devices.

# 1-2 Basic Configuration

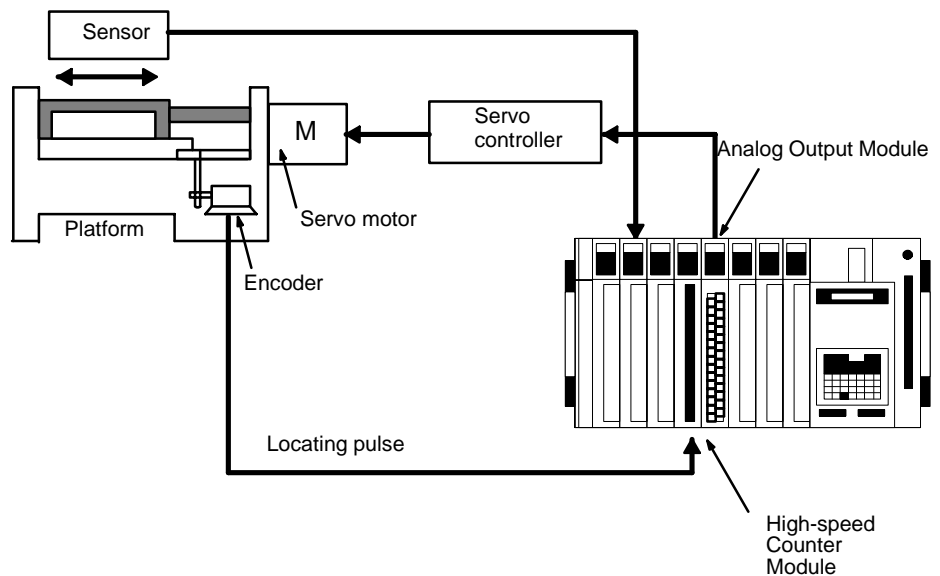
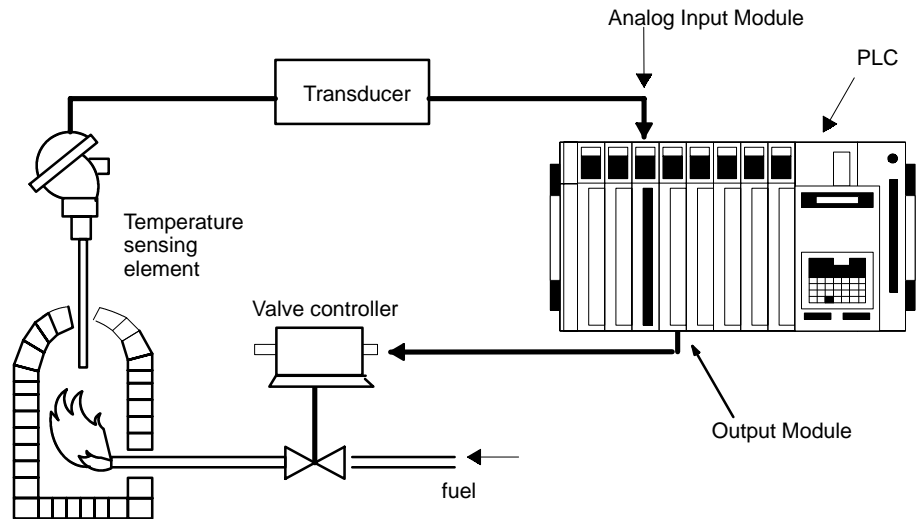
This diagram shows some of the possible field devices for the Analog I/O Modules. Any I/O device may be used as long as its voltage/current requirements fall within the specified ranges (see *Appendix B*).

The I/O device connected to the Analog I/O Module will often serve as an interface for another device, e.g., a preamplifier may interface a pressure gauge to increase the signal level to Analog Input Module requirements; a regulator may interface a heating system to control temperature.



### 1-3 Example Configurations

Below are two examples of how the Analog I/O Modules can be employed in control systems. The first diagram shows a temperature regulating system and the second shows a servomotor positioning system.



### 1-4 Allocated Words

Each Analog I/O Module is allocated either two or four words. This section specifies only the actual number of words allocated to the Modules; use of these words is dealt with in *Section 4 Operation*.

The first word allocated to the Module is designated as “n” in this manual. Remaining words, which are always consecutive, are designated as n+1, n+2, etc. Refer to your PLC’s *Operation Manual* for details on how words are allocated to Modules.

**1-4-1 AD001 through AD005 Analog Input Modules**

Each of these Analog Input Modules is allocated two words, one for each analog input point. Word  $n$  is for point 1, and word  $n+1$  is for point 2. Each of these words contains the decimal-converted value for the analog input point.

**1-4-2 AD006 and AD007 Analog Input Modules**

Each of these Analog Input Modules is allocated four words, one for each analog input point. Word  $n$  is for point 1, word  $n+1$  is for point 2, word  $n+2$  is for point 3, and word  $n+3$  is for point 4. Each of these words contains the decimal-converted value for the analog input point.

**1-4-3 AD101 Analog Input Modules**

Each of these Analog Input Modules is allocated either two or four words, depending on the switch settings. The operation of the Module is completely different depending on this switch setting. Refer to later sections of this manual for details.

**1-4-4 DA001 through DA005 Analog Output Modules**

Each of these Analog Output Modules is allocated two words, one for each analog output point. Word  $n$  is for point 1; word  $n+1$  is for point 2. Each of these words contains the digital-converted value for the analog output point.

**1-4-5 DA101 Analog Output Modules**

Each of these Analog Output Modules is allocated four words, one for each analog output point. Word  $n$  is for point 1, word  $n+1$  is for point 2, word  $n+2$  is for point 3, and word  $n+3$  is for point 4. Each of these words contains the digital-converted value for the analog output point.

# SECTION 2

## Components and Switch Settings

This section describes the switch settings for the AD101 Analog Input Module and the DA101 Analog Output Module. There are no switch settings required on the other Analog I/O Modules.

|                                       |   |
|---------------------------------------|---|
| 2-1 AD101 Analog Input Modules .....  | 6 |
| 2-2 DA101 Analog Output Modules ..... | 9 |

## 2-1 AD101 Analog Input Modules

There are two settings necessary for this Module: the operation mode and the input ranges (offset and gain) for each input point

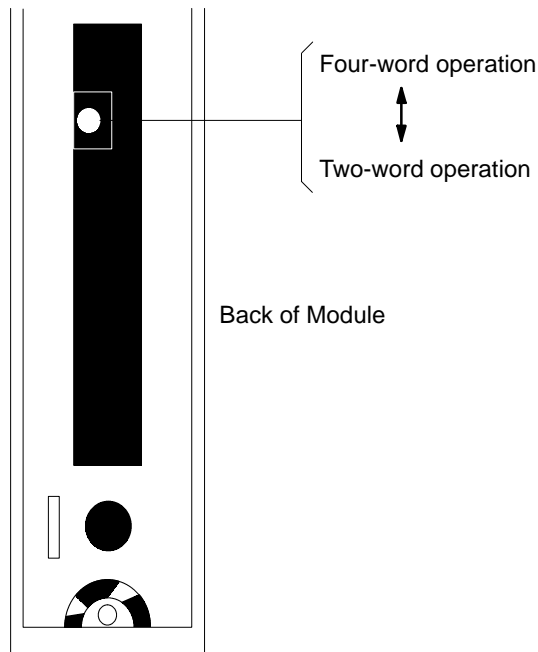
### Operation Mode

Select either two-word or four-word operation. If you select two-word operation, data is transferred between the Analog Input Module and PLC using the I/O READ and I/O WRITE instructions, WRIT(87) and READ(88). If you select four-word operation, data is transferred between the Analog Input Module and PLC via the MOVE instruction, MOV(21).

Use of WRIT(87) and READ(88) will simplify programming and shorten the time required to access analog input data.

The switch for this setting is on the back of the Module and will not be accessible while the Module is mounted to a Rack. Be sure to set this switch before mounting the Module to the PLC. The setting of the switch is read when the PLC power is turned ON.

**Caution** Only the following C120 and C500 CPUs are equipped with WRIT(87) and READ(88), which are required for two-word operation: 3G2C4-SC023-E and 3G2C3-CPU11-EV1. With all other C120 and C500 CPUs, you must use four-word operation. These instructions are supported by all C1000H and C2000H CPUs. Two-word operation is not possible if the Analog I/O Module is mounted to a Slave Rack in a Remote I/O System, regardless of the CPU.



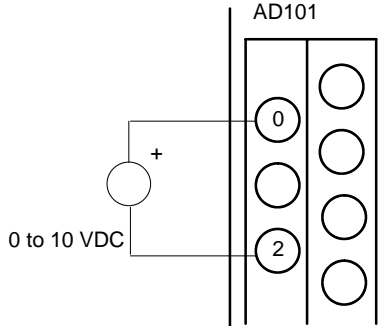
### Input Ranges

Each input point is set with an offset (minimum) of 1 V (4 mA) and a gain (maximum) of 5 V (20 mA) at the factory. Use the following procedure to change these settings if necessary. The offset and gain can be set to anywhere between 0 and 10 V (0 and 20 mA) as long as the gain is greater than the offset. (Refer to *Section 3 Operation* for details on AD conversion.)

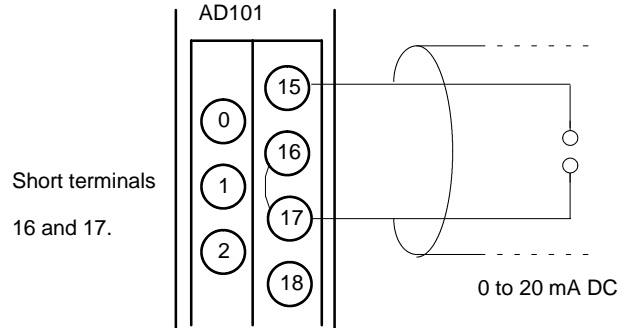
**Caution** If an offset is set below 0 V (0 mA), the binary-converted value will be locked at 000<sub>hex</sub>; if a gain is set above 10 V (20 mA), the binary-converted value will be locked at FFF<sub>hex</sub> for voltage inputs, but not for current inputs.

- 1, 2, 3... 1. First set up a power source and meter. For voltage inputs, you will need a 0 to 10 VDC supply and a DC voltmeter. For current input, you will need a 0 to 20 mA DC supply and a DC ammeter. Mount the Module to the PLC and connect the power source and meter. Voltage and current specifications can be set independently for each input point. The following examples illustrate how to wire the input points

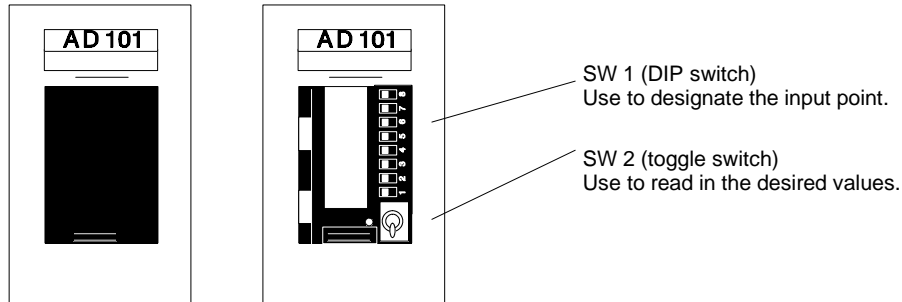
Wiring when input 1 is set at 0 to 10 V:



Wiring when input 5 is set at 0 to 20 mA:



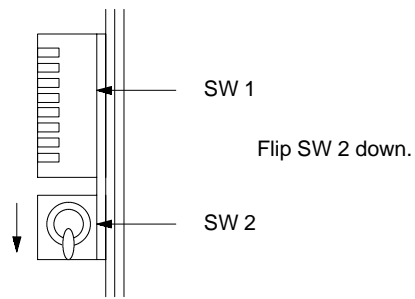
2. Turn the PLC power supply and confirm that power is being supplied to the PLC.



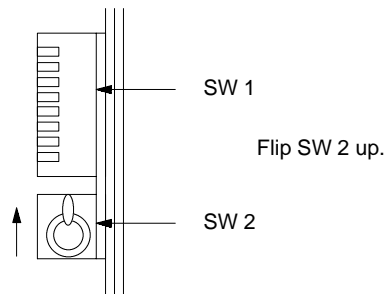
3. Remove the front panel of the Module with flat-blade screwdriver. Pins 1 through 8 on SW 1 represent input points 1 through 8 respectively. Turn ON the pin for the input point to be set and make sure all the other pins are OFF. First we will set input point 1.



4. The offset is the lowest voltage or current that will be input. The Module will convert this value to 000 hexadecimal. Apply the desired offset to the terminals of input point 1. Flip SW 2 down to read in as 0 V or mA the current or voltage currently being applied to the input terminals. This input value will be stored as the offset, i.e., as zero.



5. The gain is the highest voltage or current that will be input. The Module will convert this value to FFF hexadecimal. Apply the desired gain) to the terminals of input point 1. Flip SW 2 to down to read in as 10 V or 20 mA current or voltage currently being applied to the input terminals. The input value will be stored as the gain, i.e., as 10 V or 20 mA.

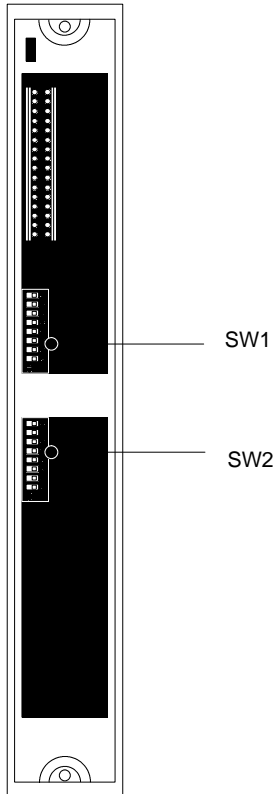


6. Continue on in this way to set the offset and gain for input points 2 through 8. Make sure you turn OFF each pin of SW 1 before you turn ON the next pin. Never allow more than one pin of SW 1 to be ON simultaneously. After you are finished setting all the input points, re-attach the front panel to the Module.



## 2-2 DA101 Analog Output Modules

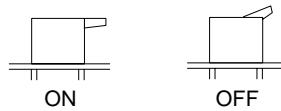
The output range must be set for each input point using the DIP switches on the back of the Module. Each input point is set to 1 to 5 V at the factory, but double check the settings before use. Be sure to set these switches before mounting the Module, as they will not be accessible while the Module is mounted.



Back of Module

| DIP switch | Port | Pin | Output range |          |            |
|------------|------|-----|--------------|----------|------------|
|            |      |     | 0 to 10 V    | 1 to 5 V | 4 to 20 mA |
| SW1        | 1    | 1   | OFF          | ON       | ON         |
|            |      | 2   | OFF          | ON       | ON         |
|            |      | 3   | OFF          | OFF      | ON         |
|            |      | 4   | ON           | OFF      | OFF        |
|            | 2    | 5   | OFF          | ON       | ON         |
|            |      | 6   | OFF          | ON       | ON         |
|            |      | 7   | OFF          | OFF      | ON         |
|            |      | 8   | ON           | OFF      | OFF        |
| SW2        | 3    | 1   | OFF          | ON       | ON         |
|            |      | 2   | OFF          | ON       | ON         |
|            |      | 3   | OFF          | OFF      | ON         |
|            |      | 4   | ON           | OFF      | OFF        |
|            | 4    | 5   | OFF          | ON       | ON         |
|            |      | 6   | OFF          | ON       | ON         |
|            |      | 7   | OFF          | OFF      | ON         |
|            |      | 8   | ON           | OFF      | OFF        |

Set the pins to the appropriate positions for the output range you are going to use. The pins are set as shown below.





# SECTION 3

## Installation

This section provides the dimensions, wiring diagrams, and other information required to install the Analog I/O Modules. Be sure to set back-panel switches as required before mounting the Modules to the Racks.

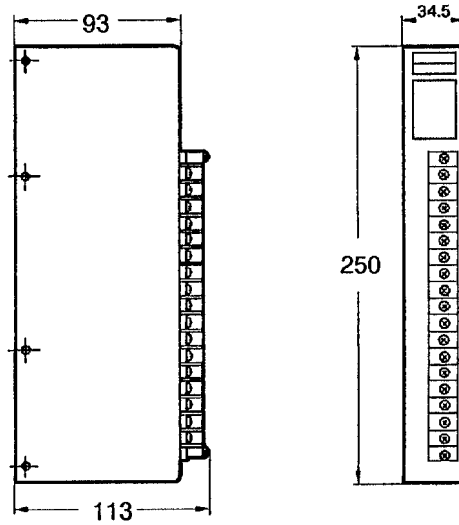
|       |   |    |
|-------|---|----|
| 3-1   | AD001 through AD005 Analog Input Modules .....  | 12 |
| 3-1-1 | Dimensions .....                                | 12 |
| 3-1-2 | Wiring .....                                    | 13 |
| 3-2   | AD006 and AD007 Analog Input Modules .....      | 15 |
| 3-2-1 | Dimensions .....                                | 15 |
| 3-2-2 | Wiring .....                                    | 16 |
| 3-3   | AD101 Analog Input Modules .....                | 18 |
| 3-3-1 | Dimensions .....                                | 18 |
| 3-3-2 | Wiring .....                                    | 18 |
| 3-4   | DA001 through DA005 Analog Output Modules ..... | 21 |
| 3-4-1 | Dimensions .....                                | 21 |
| 3-4-2 | Wiring .....                                    | 22 |
| 3-5   | DA101 Analog Output Modules .....               | 24 |
| 3-5-1 | Dimensions .....                                | 24 |
| 3-5-2 | Wiring .....                                    | 24 |

### 3-1 AD001 through AD005 Analog Input Modules

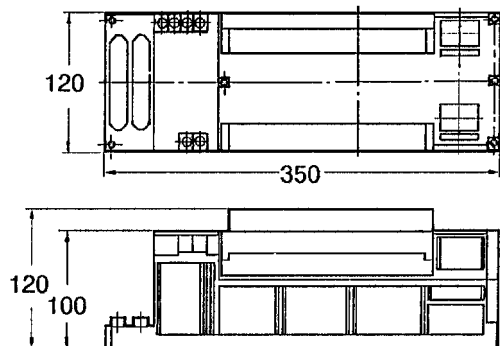
#### 3-1-1 Dimensions

All dimensions given below are in millimeters.

##### 3G2A5-AD001 through 3G2A5-AD005



##### 3G2A6-AD001 through 3G2A6-AD005 (Mounted to 3G2C4-SIO25/SIO26)



### 3-1-2 Wiring

Use shielded twisted-pair cable for external connections.

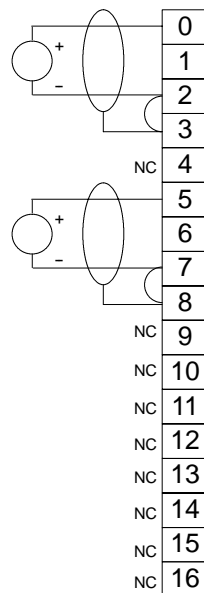
Connect the positive and negative terminals of any unused input points to the shield terminal.

Use separate power supplies for input points 1 and 2 whenever possible. When using separate power supplies, always connect the negative input terminal to the shield line; failure to do so will produce several percent of error in the converted data.

Incorrect wiring will produce inaccuracy in converted data. Use the proper wiring diagram and wire with care.

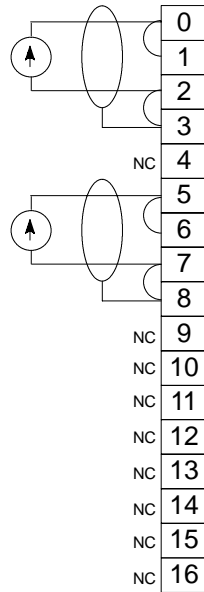
#### Voltage Inputs

| VOLTAGE ONLY |              |
|--------------|--------------|
| AD001        | +1 ~ +5VDC   |
| AD002        | 0 ~ +10VDC   |
| AD003        | 0 ~ +5VDC    |
| AD004        | -10 ~ +10VDC |
| AD005        | -5 ~ +5VDC   |



Current Inputs

|       |            |
|-------|------------|
| AD001 | +4 ~ +20mA |
|-------|------------|

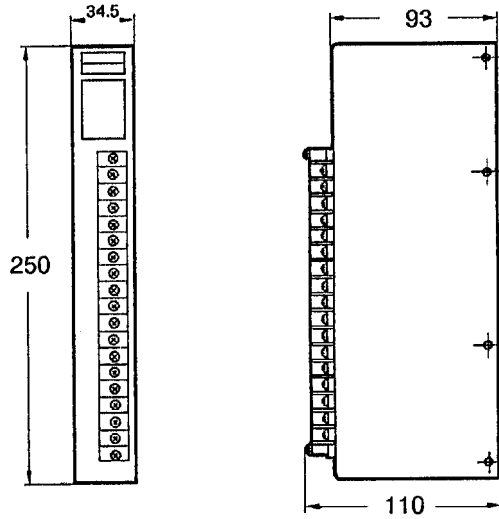


### 3-2 AD006 and AD007 Analog Input Modules

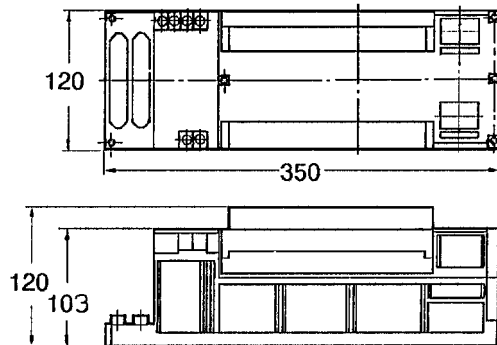
#### 3-2-1 Dimensions

All dimensions given below are in millimeters.

##### 3G2A5-AD006/AD007



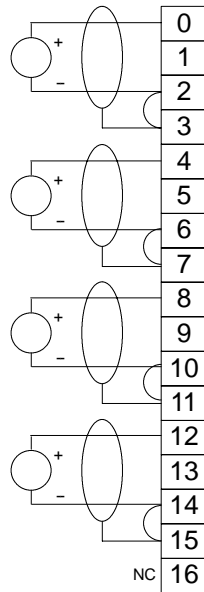
##### 3G2A6-AD006/AD007 (Mounted to 3G2C4-SIO25/SIO26)



### 3-2-2 Wiring

#### Voltage Inputs

| VOLTAGE ONLY |            |
|--------------|------------|
| AD006        | +1 ~ +5VDC |
| AD007        | 0 ~ +10VDC |



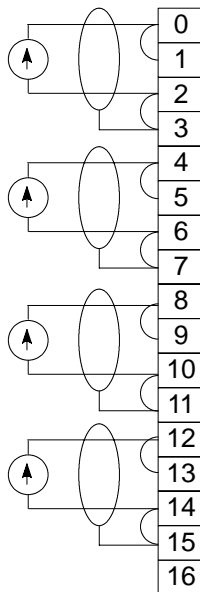


## Current Inputs

| CURRENT ONLY |           |
|--------------|-----------|
| AD006        | 4 ~ +20mA |

## Wiring Notes

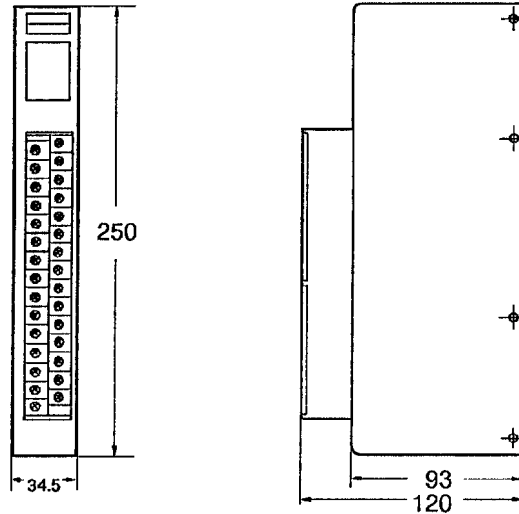
1. Use twisted-pair cable for external connections.
2. Connect the positive and negative terminals of any unused input points to the shield terminal.
3. For voltage inputs, connect the negative terminal to the shield terminal. Failure to do so may cause an error of several percent in the data.
4. For current inputs, Omron recommends that you use a separate power supply for each input point.



### 3-3 AD101 Analog Input Modules

#### 3-3-1 Dimensions

All dimensions given below are in millimeters.



#### 3-3-2 Wiring

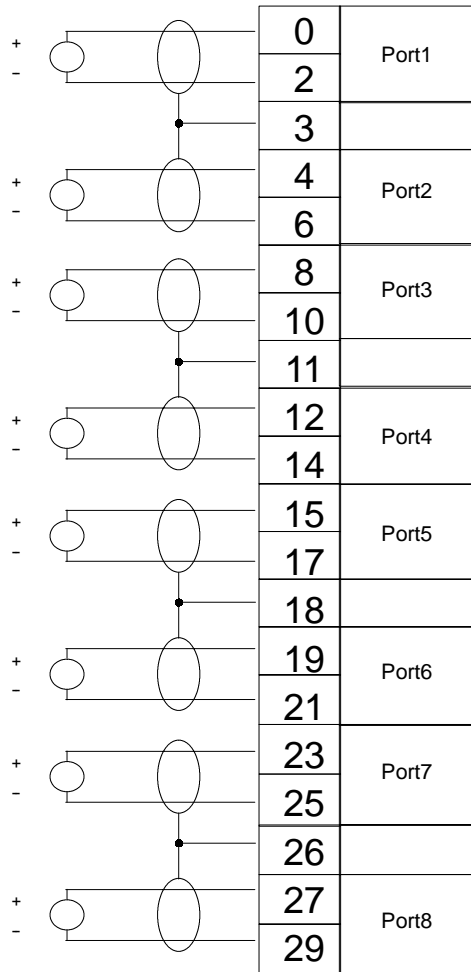
##### Terminal Allocations

|               |                           |    |    |                           |         |
|---------------|---------------------------|----|----|---------------------------|---------|
| Point 1       | + Voltage/current input 1 | 0  | 15 | + Voltage/current input 5 | Point 5 |
|               | - Current input 1         | 1  | 16 | - Current input 5         |         |
|               | - Voltage/current input 1 | 2  | 17 | - Voltage/current input 5 |         |
| Shield        |                           | 3  | 18 | Shield                    |         |
| Point 2       | + Voltage/current input 2 | 4  | 19 | + Voltage/current input 6 | Point 6 |
|               | - Current input 2         | 5  | 20 | - Current input 6         |         |
|               | - Voltage/current input 2 | 6  | 21 | - Voltage/current input 6 |         |
| Not connected |                           | 7  | 22 | Not connected             |         |
| Point 3       | + Voltage/current input 3 | 8  | 23 | + Voltage/current input 7 | Point 7 |
|               | - Current input 3         | 9  | 24 | - Current input 7         |         |
|               | - Voltage/current input 3 | 10 | 25 | - Voltage/current input 7 |         |
| Shield        |                           | 11 | 26 | Shield                    |         |
| Point 4       | + Voltage/current input 4 | 12 | 27 | + Voltage/current input 8 | Point 8 |
|               | - Current input 4         | 13 | 28 | - Current input 8         |         |
|               | - Voltage/current input 4 | 14 | 29 | - Voltage/current input 8 |         |

Voltage Input Connections

| VOLTAGE ONLY |                                       |
|--------------|---------------------------------------|
| AD101        | 0 ~ +10VDC<br>Adjustable. (See note.) |

**Note** Factory default is 0 ~ +5VDC.



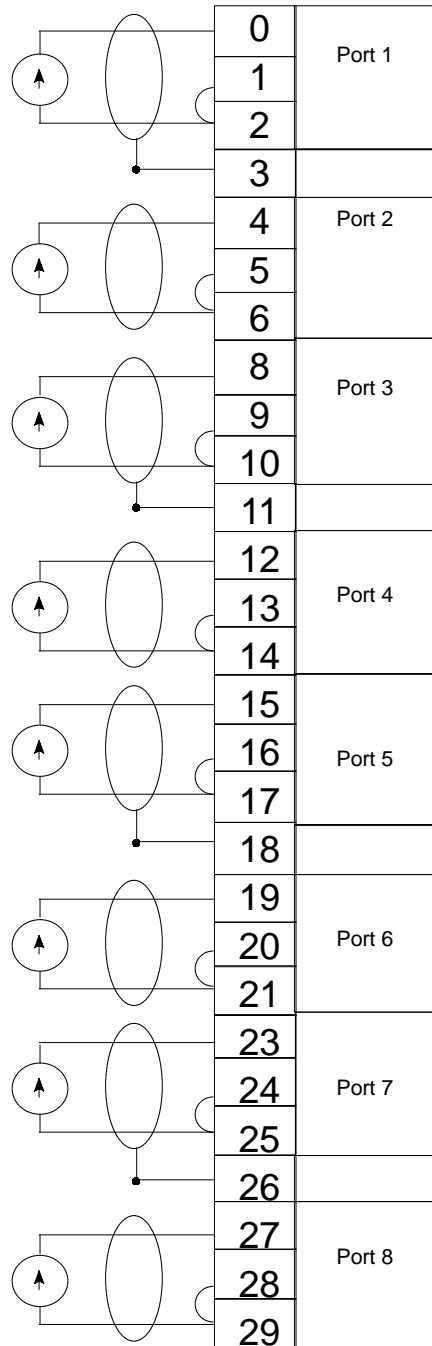
Current Input Connections

|              |                                      |
|--------------|--------------------------------------|
| CURRENT ONLY |                                      |
| AD101        | 0 ~ +20mA<br>Adjustable. (See note.) |

**Note** Factory default is 4 ~ 20mA.

**Wiring Notes**

1. Use shielded twisted-pair cable for external connections.
2. Connect the positive and negative terminals of any unused input points to the shield terminal.

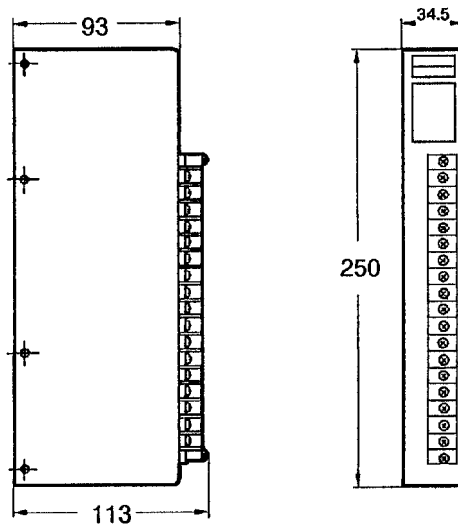


### 3-4 DA001 through DA005 Analog Output Modules

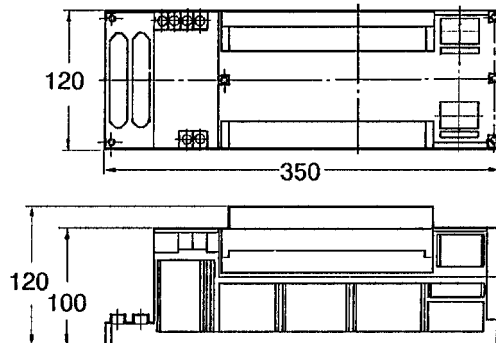
#### 3-4-1 Dimensions

All dimensions given below are in millimeters.

##### 3G2A5-DA001 through 3G2A5-DA005



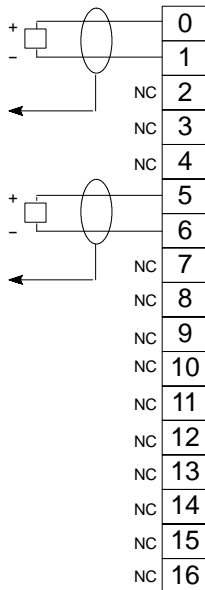
##### 3G2A6-DA001 through 3G2A6-DA005 (Mounted to 3G2C4-SIO25/SIO26)



### 3-4-2 Wiring

#### Voltage Outputs

| VOLTAGE ONLY |              |
|--------------|--------------|
| DA001        | +1 ~ +5VDC   |
| DA002        | 0 ~ +10VDC   |
| DA003        | 0 ~ +5VDC    |
| DA004        | -10 ~ +10VDC |
| DA005        | -5 ~ +5VDC   |

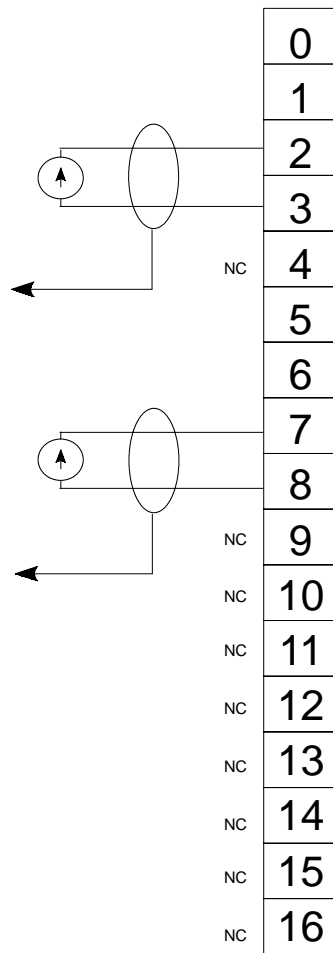


Current Outputs

|              |            |
|--------------|------------|
| CURRENT ONLY |            |
| DA001        | +4 ~ +20mA |

Wiring Notes

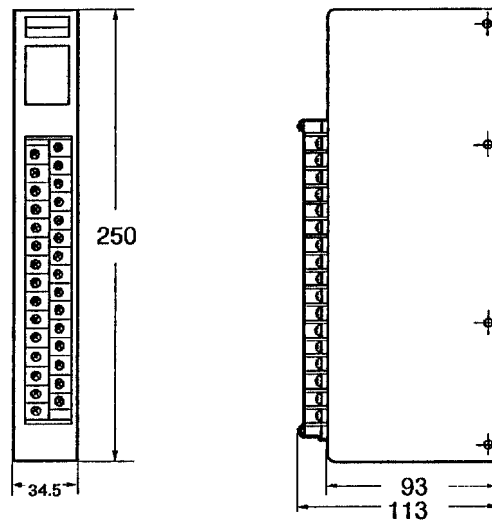
1. Use 2-conductor shielded twisted-pair cable for external connections to prevent induction and noise.
2. Ground the shields to the Module.
3. Do not use the same cable for signal lines and AC wiring to external devices.
4. Do not run the Module's cables near or bind them together with main circuit cables or high voltage cables. Keep the external signal cables separate from AC cables.



### 3-5 DA101 Analog Output Modules

#### 3-5-1 Dimensions

All dimensions given below are in millimeters.



#### 3-5-2 Wiring

##### Terminal Allocations

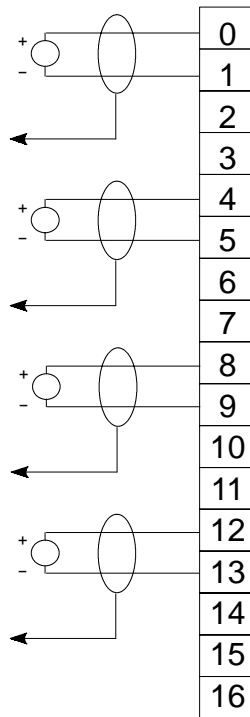
| Point     | Output         | Polarity | Terminal |
|-----------|----------------|----------|----------|
| 1         | Voltage output | +        | 0        |
|           |                | -        | 1        |
|           | Current output | +        | 2        |
|           |                | -        | 3        |
| 2         | Voltage output | +        | 4        |
|           |                | -        | 5        |
|           | Current output | +        | 6        |
|           |                | -        | 7        |
| 3         | Voltage output | +        | 8        |
|           |                | -        | 9        |
|           | Current output | +        | 10       |
|           |                | -        | 11       |
| 4         | Voltage output | +        | 12       |
|           |                | -        | 13       |
|           | Current output | +        | 14       |
|           |                | -        | 15       |
| Not used. |                |          | 16       |



Voltage Output Connections

| VOLTAGE ONLY |                           |
|--------------|---------------------------|
| DA101        | 0 ~ +10VDC                |
|              | +1 ~ +5VDC<br>(See note.) |

**Note** Factory default is +1 ~ +5VDC.

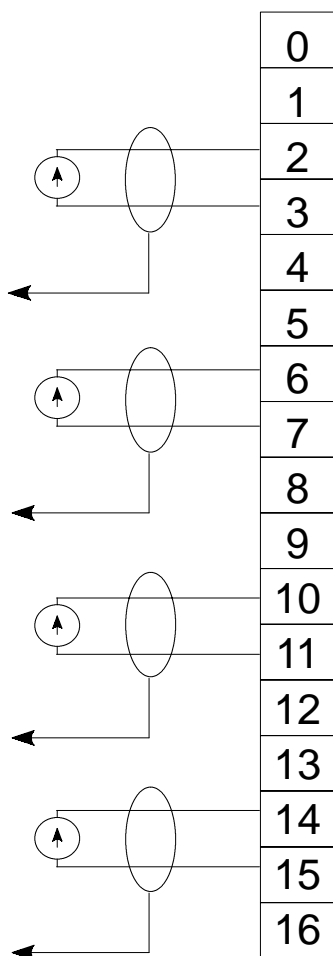


Current Output Connections

|              |            |
|--------------|------------|
| CURRENT ONLY |            |
| DA101        | +4 ~ +20mA |

Wiring Notes

1. Use 2-conductor shielded twisted-pair cable for external connections to prevent induction and noise.
2. Ground the shields to the Module.
3. Do not use the same cable for signal lines and AC wiring to external devices.
4. Do not run the Module's cables near or bind them together with main circuit cables or high voltage cables. Keep the external signal cables separate from AC cables.



# SECTION 4

## Operation

This section describes the basic operation of the Analog I/O Modules, including A/D and D/A conversion methods and IR bit allocations and application.

|       |   |    |
|-------|---|----|
| 4-1   | AD001 through AD005 Analog Input Modules .....  | 28 |
| 4-1-1 | Block Diagram .....                             | 28 |
| 4-1-2 | A/D Conversion .....                            | 28 |
| 4-1-3 | IR Bit Allocations .....                        | 29 |
| 4-2   | AD006 and AD007 Analog Input Modules .....      | 30 |
| 4-2-1 | Block Diagram .....                             | 30 |
| 4-2-2 | A/D Conversion .....                            | 30 |
| 4-2-3 | IR Bit Allocations .....                        | 31 |
| 4-3   | AD101 Analog Input Modules .....                | 31 |
| 4-3-1 | Block Diagram .....                             | 32 |
| 4-3-2 | A/D Conversion .....                            | 32 |
| 4-3-3 | Operational Flow .....                          | 33 |
| 4-3-4 | Two-word Operation .....                        | 33 |
| 4-3-5 | Four-word Operation .....                       | 39 |
| 4-4   | DA001 through DA005 Analog Output Modules ..... | 40 |
| 4-4-1 | Block Diagram .....                             | 41 |
| 4-4-2 | D/A Conversion .....                            | 41 |
| 4-4-3 | IR Bit Allocations .....                        | 43 |
| 4-5   | DA101 Analog Output Modules .....               | 43 |
| 4-5-1 | Block Diagram .....                             | 44 |
| 4-5-2 | D/A Conversion .....                            | 44 |
| 4-5-3 | Operational Flow .....                          | 45 |
| 4-5-4 | IR Bit Allocations .....                        | 46 |

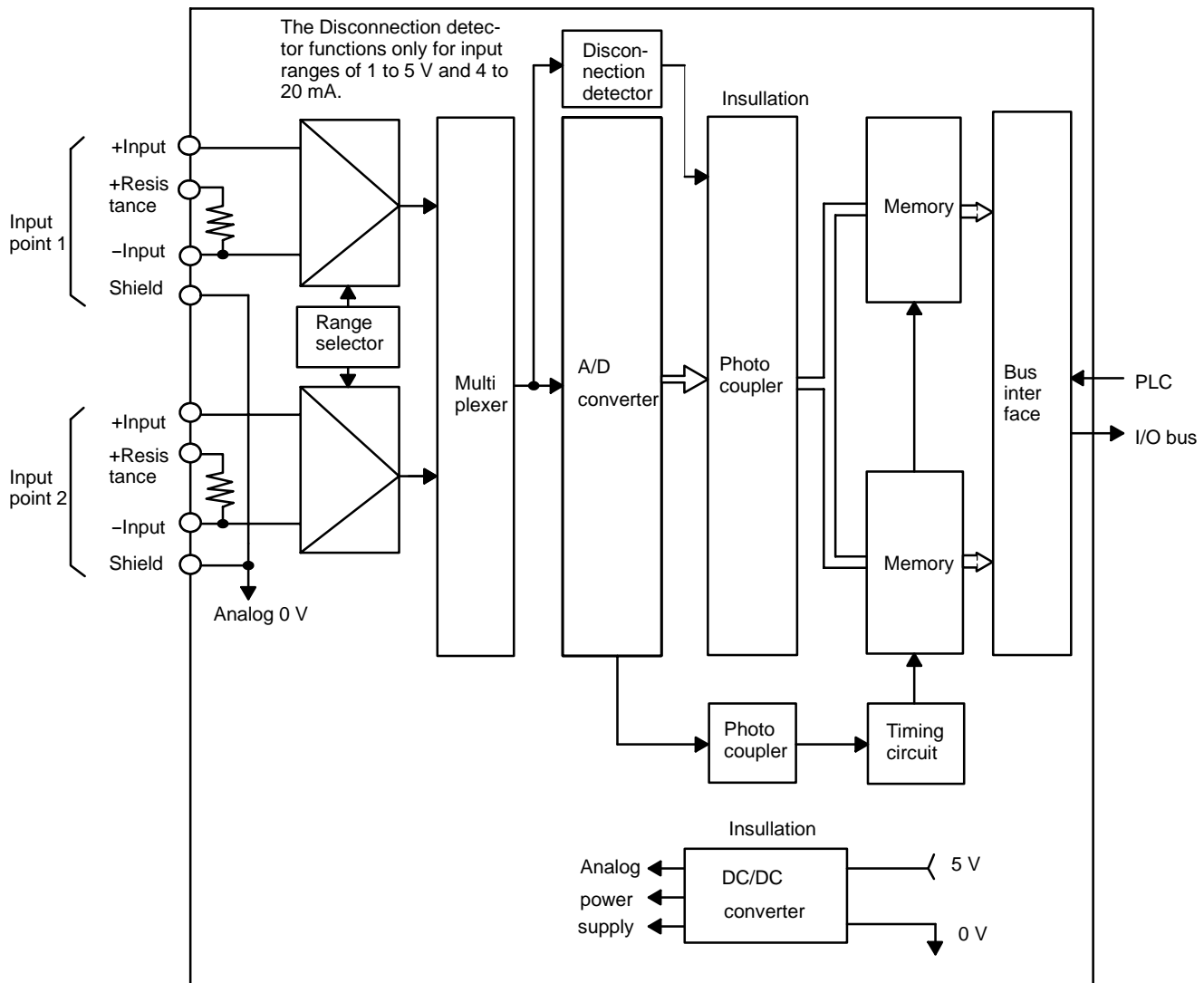
## 4-1 AD001 through AD005 Analog Input Modules

With the AD001 and AD005, the binary-converted value of each input point is input to a dedicated IR word, i.e., the contents of the IR word allocated to any one input point will always contain the value of the analog input at the most recent I/O refresh period. This data can be used directly in binary form or converted to BCD for further use.

This section describes the internal connections of the Module, the AD conversion method used, and the IR bit allocations. Refer to *Section 5 Programming Considerations* for programming examples.

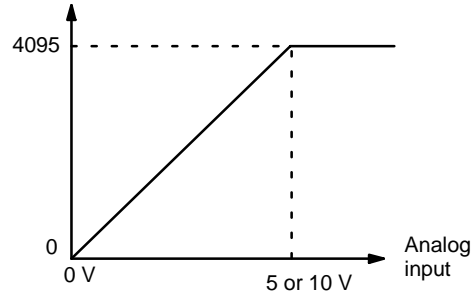
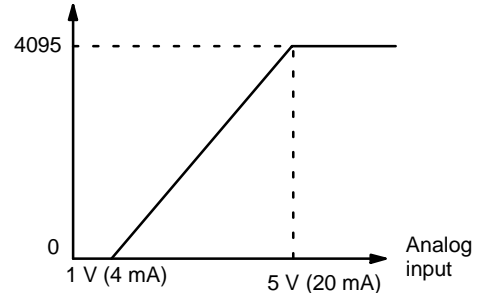
### 4-1-1 Block Diagram

The following diagram shows the basic internal connections of the Module.

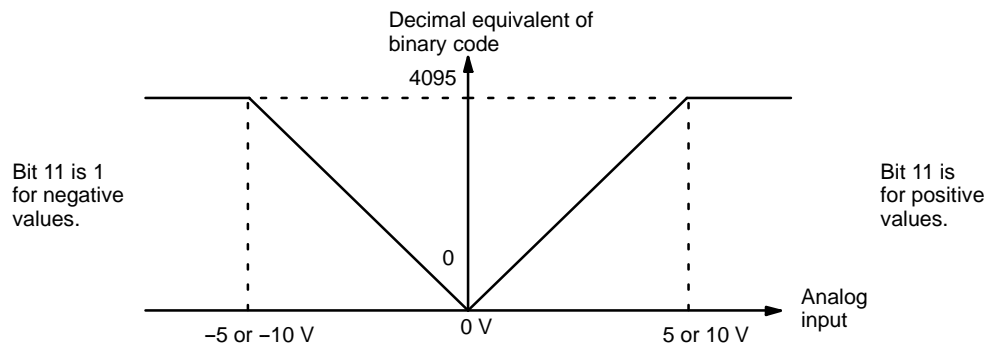


### 4-1-2 A/D Conversion

The analog inputs are converted to 12-bit binary code. Five different conversion ranges are available, 0 to 10 V, 0 to 5 V, 1 to 5 V (4 to 20 mA), -5 to 5 V, or -10 to 10 V, depending on the model of the Module. The relationships between the analog input values and converted binary values are shown next.

**Positive Ranges**Decimal equivalent of  
binary codeDecimal equivalent of  
binary code**Positive/Negative Ranges**

Positive and negative values are differentiated via bit 11 (see below).

**4-1-3 IR Bit Allocations**

Bits in words IR n and IR n+1 are allocated as shown below.

Bit 11 provides  $2^{11}$  data for ranges with only positive values, but operates as the Sign Flag for input ranges that include negative values. The Sign Flag will be 0 for positive values and 1 for negative values.

Bit 15 is the Disconnection Flag for input ranges of 1 to 5 V and 4 to 20 mA, and will be 1 when a voltage of 0.5 V or less is detected for 1 to 5 V or when a current of 2 mA or less is detected for 4 to 20 mA.

| Bit      | Input words                              |  |
|----------|--|--|
|          | IR n: point 1                            | IR n+1: point 2                          |
| 0        | A/D converted data $2^0$                 | A/D converted data $2^0$                 |
| 1        | A/D converted data $2^1$                 | A/D converted data $2^1$                 |
| 2        | A/D converted data $2^2$                 | A/D converted data $2^2$                 |
| 3        | A/D converted data $2^3$                 | A/D converted data $2^3$                 |
| 4        | A/D converted data $2^4$                 | A/D converted data $2^4$                 |
| 5        | A/D converted data $2^5$                 | A/D converted data $2^5$                 |
| 6        | A/D converted data $2^6$                 | A/D converted data $2^6$                 |
| 7        | A/D converted data $2^7$                 | A/D converted data $2^7$                 |
| 8        | A/D converted data $2^8$                 | A/D converted data $2^8$                 |
| 9        | A/D converted data $2^9$                 | A/D converted data $2^9$                 |
| 10       | A/D converted data $2^{10}$              | A/D converted data $2^{10}$              |
| 11       | A/D converted data $2^{11}$ or Sign Flag | A/D converted data $2^{11}$ or Sign Flag |
| 12 to 14 | 0  | 0  |
| 15       | Disconnection Flag                       | Disconnection Flag                       |

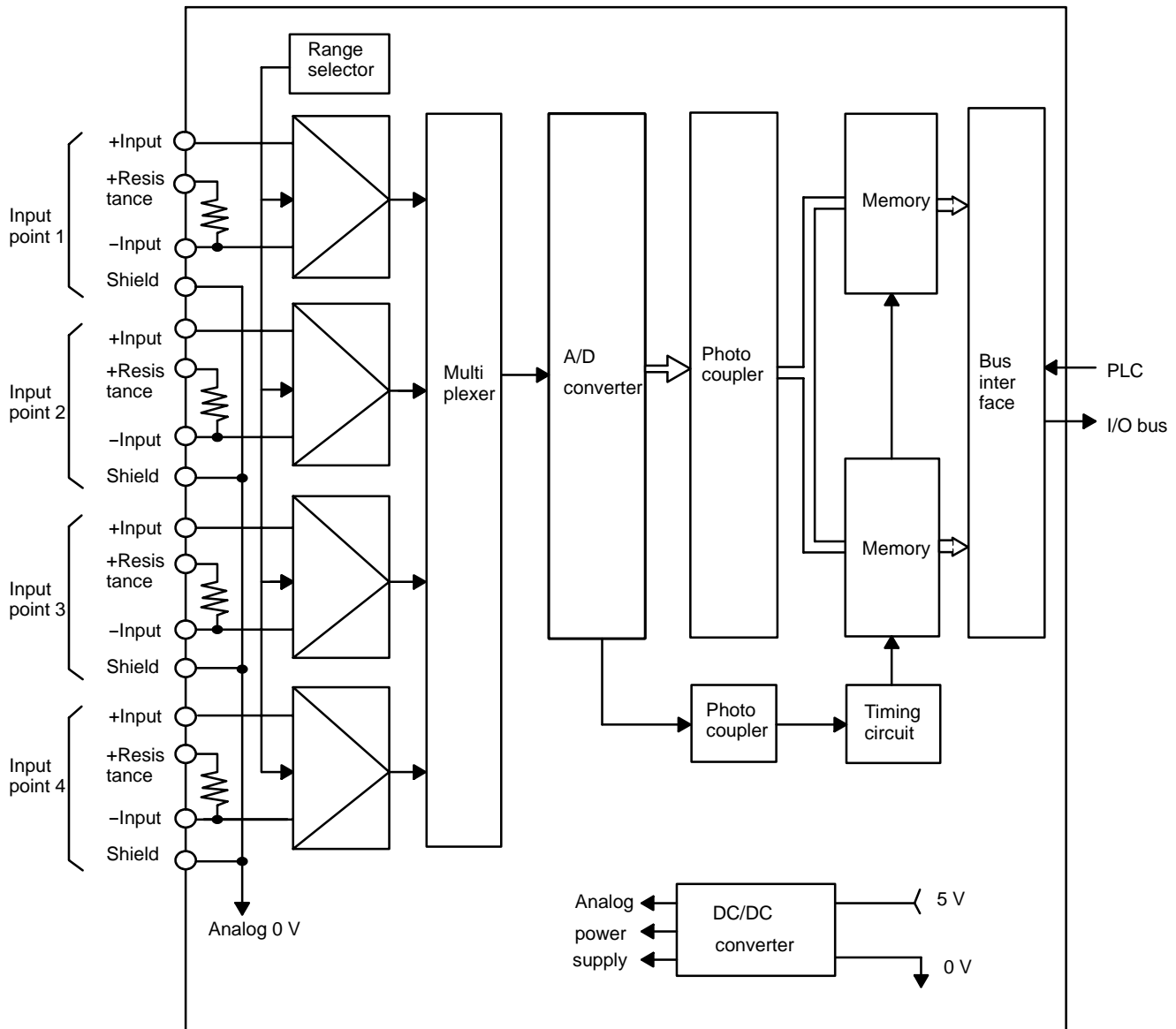
## 4-2 AD006 and AD007 Analog Input Modules

With the AD006 and AD007, the binary-converted value of each input point is input to a dedicated IR word, i.e., the contents of the IR word allocated to any one input point will always contain the value of the analog input at the most recent I/O refresh period. This data can be used directly in binary form or converted to BCD for further use.

This section describes the internal connections of the Module, the AD conversion method used, and the IR bit allocations. Refer to *Section 4 Programming Considerations* for programming examples.

### 4-2-1 Block Diagram

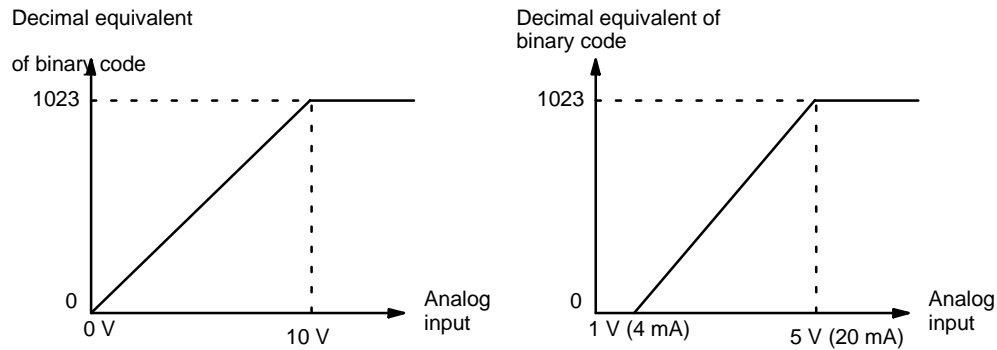
The following diagram shows the basic internal connections of the Module.



### 4-2-2 A/D Conversion

The analog inputs are converted to 10-bit binary code. Two different conversion ranges are available, 0 to 10 V or 1 to 5 V (4 to 20 mA), depending on

the model of the Module. The relationships between the analog input values and converted binary value are shown below.



### 4-2-3 IR Bit Allocations

| Bit      | Input words              |                          |                          |                          |
|----------|--------------------------|--------------------------|--------------------------|--------------------------|
|          | IR n: point 1            | IR n+1: point 2          | IR n+2: point 3          | IR n+3: point 4          |
| 0        | A/D converted data $2^0$ | A/D converted data $2^0$ | A/D converted data $2^0$ | A/D converted data $2^0$ |
| 1        | A/D converted data $2^1$ | A/D converted data $2^1$ | A/D converted data $2^1$ | A/D converted data $2^1$ |
| 2        | A/D converted data $2^2$ | A/D converted data $2^2$ | A/D converted data $2^2$ | A/D converted data $2^2$ |
| 3        | A/D converted data $2^3$ | A/D converted data $2^3$ | A/D converted data $2^3$ | A/D converted data $2^3$ |
| 4        | A/D converted data $2^4$ | A/D converted data $2^4$ | A/D converted data $2^4$ | A/D converted data $2^4$ |
| 5        | A/D converted data $2^5$ | A/D converted data $2^5$ | A/D converted data $2^5$ | A/D converted data $2^5$ |
| 6        | A/D converted data $2^6$ | A/D converted data $2^6$ | A/D converted data $2^6$ | A/D converted data $2^6$ |
| 7        | A/D converted data $2^7$ | A/D converted data $2^7$ | A/D converted data $2^7$ | A/D converted data $2^7$ |
| 8        | A/D converted data $2^8$ | A/D converted data $2^8$ | A/D converted data $2^8$ | A/D converted data $2^8$ |
| 9        | A/D converted data $2^9$ | A/D converted data $2^9$ | A/D converted data $2^9$ | A/D converted data $2^9$ |
| 10 to 15 | 0                        | 0                        | 0                        | 0                        |

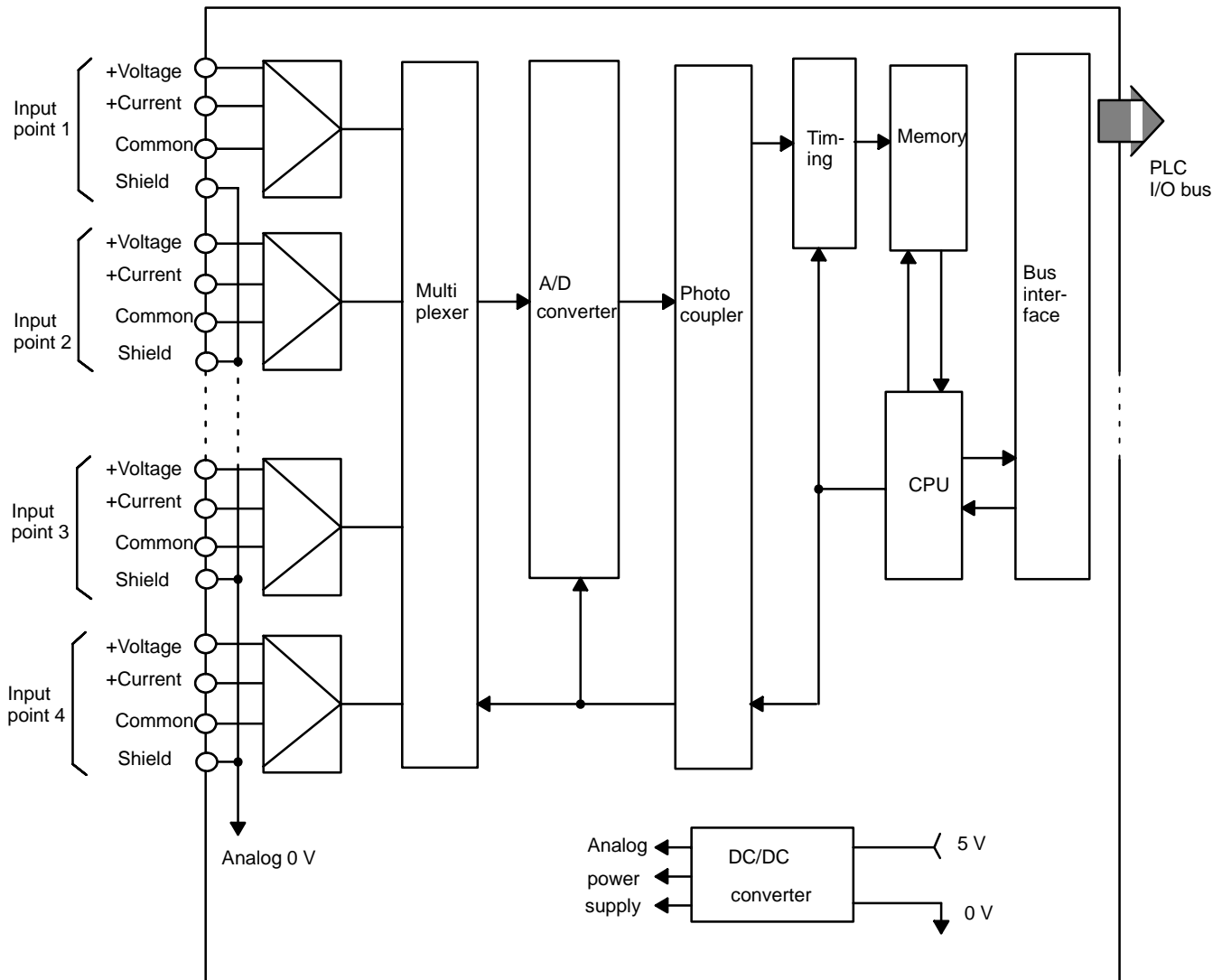
## 4-3 AD101 Analog Input Modules

There are two modes of operation available with the AD101: two-word operation and four-word operation. Although the method for reading in analog values varies depending on the operation mode, the binary-converted value of each input point is input into the PLC in binary form. This data can be used directly in binary form or converted to BCD for further use.

This section describes the internal connections of the Module, the AD conversion method used, the IR bit allocations, the methods used to input analog values, and special functions available. Refer to *Section 4 Programming Considerations* for programming examples.

### 4-3-1 Block Diagram

The following diagram shows the basic internal connections of the Module.



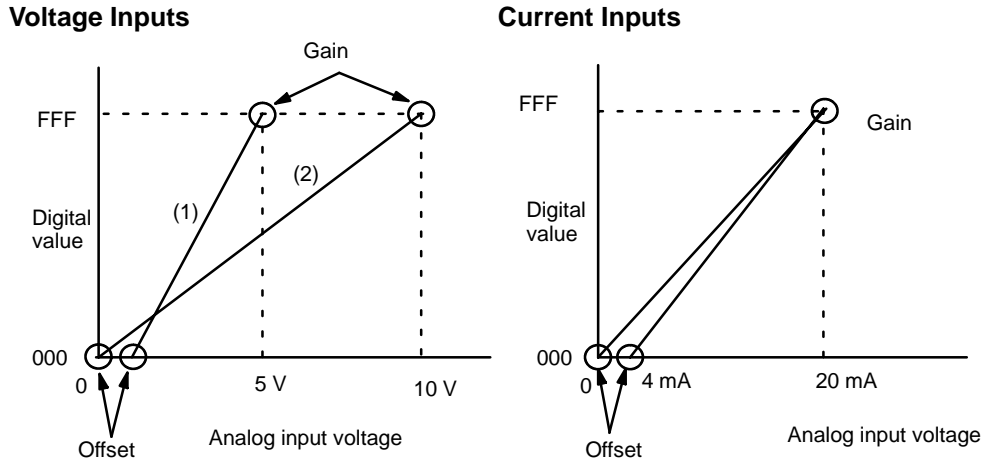
### 4-3-2 A/D Conversion

Analog input values are converted to binary according to the offset and gain values set for the input (most binary values are given in hexadecimal in this manual). Line (1) in the following figures shows the factory settings, 1 to 5 V (4 to 20 mA). This means that an input of 1 V (4 mA) will be converted to 000<sub>hex</sub> and an input of 5 V (20 mA) will be converted to FFF<sub>hex</sub>.

The maximum ranges, 0 to 10 V (0 to 20 mA), are shown by line (2) in the figures. The offset and gain for any input point can be set anywhere within these ranges as long as the gain is greater than the offset: the offset value is always converted to 000<sub>hex</sub>, and the gain is always converted to FFF<sub>hex</sub>.

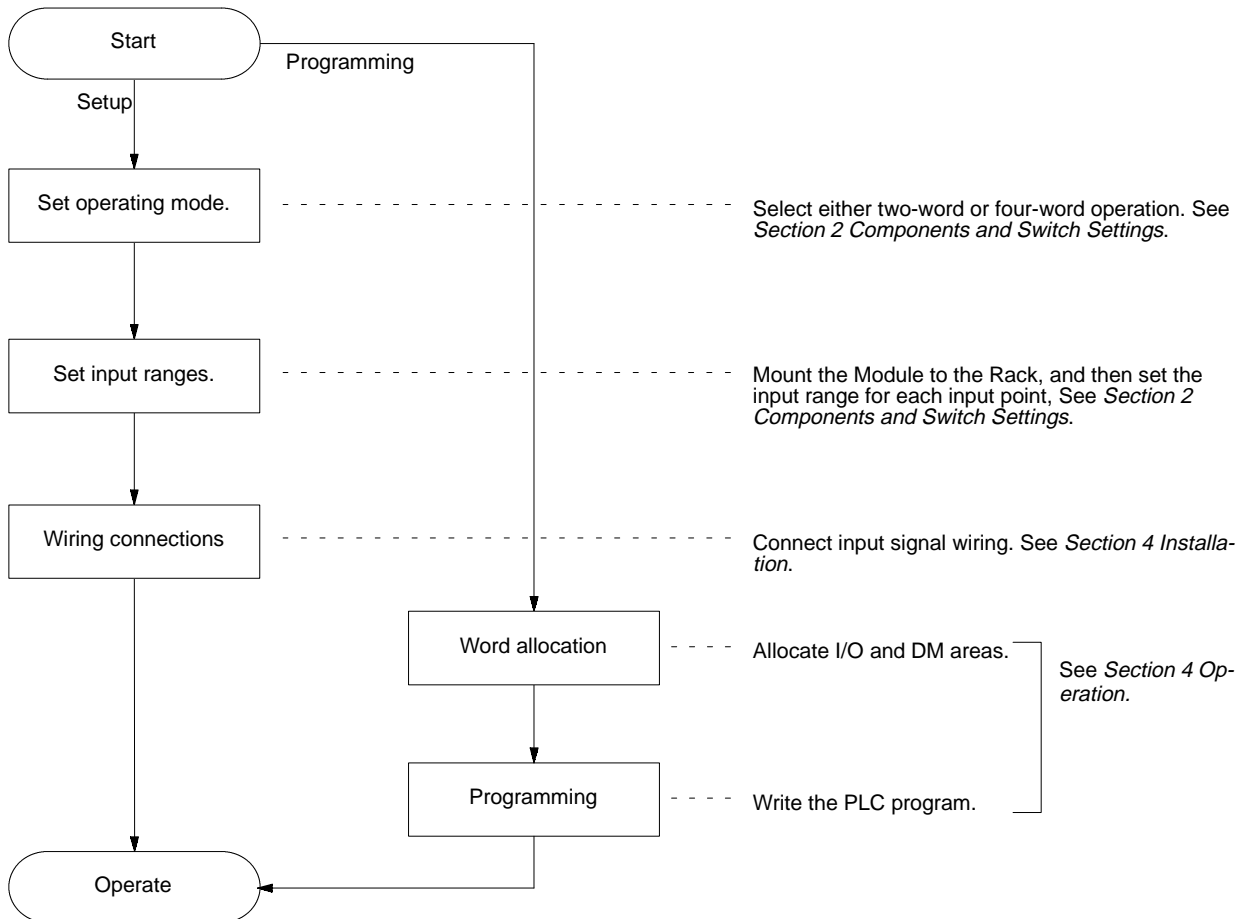


The relationships between the input analog values and the converted binary values are shown below. Binary values are given in their hexadecimal equivalents.



### 4-3-3 Operational Flow

The basic steps involved in setting up and operating the AD101 are shown below. Some of these steps have already been described in this manual.



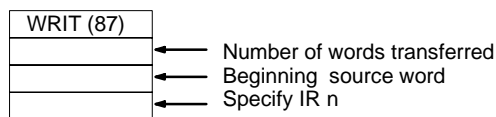
### 4-3-4 Two-word Operation

In two-word operation, there are two types of data transfer that occurs between the Analog Input Module and the PLC. One of these uses the normal

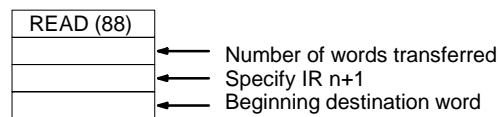
I/O refresh period to transfer flag and control bit status (see *IR Bit Allocations* below) between the Analog Input Module and the IR words allocated to the Module. Here, the output word (IR n) is used to designate when peak value for input points are to be read or reset and the input word (IR n+1) is used to confirm data validity and to check when peak values are being read.

The other form of data transfer is used to write parameters (e.g., offsets and gains) directly to the Analog Input Module or to read data (i.e., binary-converted analog values or peak values) directly from the Module. In this case the input and output words are used as the operands for the I/O WRITE and I/O READ instructions, WRIT(87) and READ(88). The data being read or written is stored at consecutive words beginning at a word designated as another operand. The general forms of these instructions are shown below. Refer to your PLC's *Operation Manual* for details.

**I/O WRITE Instruction**

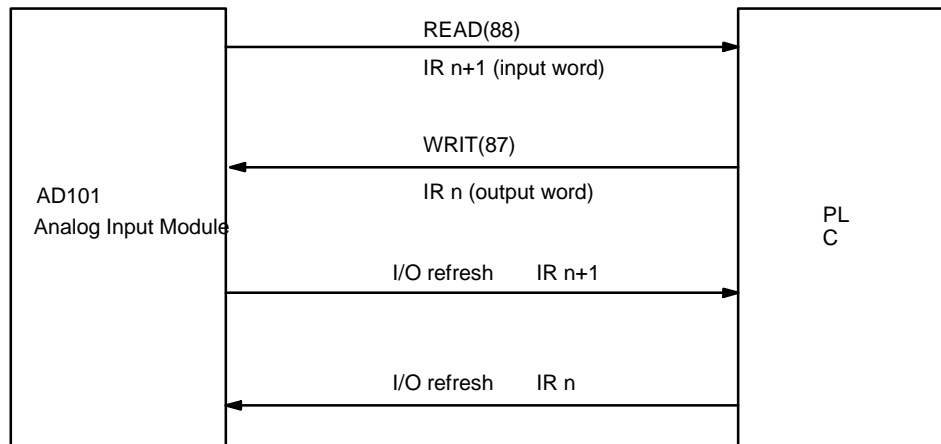


**I/O READ Instruction**



**Communications**

The following diagram illustrated communications between the AD101 Analog Input Module and the PLC during two-word operation. The I/O READ and I/O WRITE instructions are used to directly read and write data. Refer to the next page for details on IR n and IR n+1.



**IR Bit Allocations**

The following bits are used to control data transfer between the Analog Input Module and the PLC as explained below the table. The first three bits in each word are system handshaking flags, bit 03 of n+1 is used to confirm data,

and the other bits are used to control and monitor reading of peak input values.

| Bit      | Ouput word: IR n         | Input word: IR n+1      |
|----------|--------------------------|-------------------------|
| 00       | (PC Busy Flag)           | (A/D Busy Flag)         |
| 01       | (PC Write Finished Flag) | (A/D Read Finish Flag)  |
| 02       | (PC Read Finished Flag)  | (A/D Write Finish Flag) |
| 03       | Not used.                | Unconfirmed Data Flag   |
| 04 to 06 | Not used.                | Not used.               |
| 07       | Peak Reset Bit           | Not used.               |
| 08       | Peak Read Bit 0          | Peak Flag 0             |
| 09       | Peak Read Bit 1          | Peak Flag 1             |
| 10       | Peak Read Bit 2          | Peak Flag 2             |
| 11       | Peak Read Bit 3          | Peak Flag 3             |
| 12       | Peak Read Bit 4          | Peak Flag 4             |
| 13       | Peak Read Bit 5          | Peak Flag 5             |
| 14       | Peak Read Bit 6          | Peak Flag 6             |
| 15       | Peak Read Bit 7          | Peak Flag 7             |

### Handshaking Flags

Bits 00 through 02 of both the input and output words are system handshaking flags and cannot be used in programming. The status of these bits determines whether or not the I/O READ and I/O WRITE instructions will be executed as desired (see *Reading Data* and *Writing Data* below).

### Unconfirmed Data Flag

This bit turns ON when data has not been confirmed (for example, when the power has just been turned on). Be sure this flag is OFF before reading data.

### Peak Reset Bit

This bit is turned ON with one or more of the Peak Read Bits to reset the peak values of the input points designated by the Peak Read Bit.

### Peak Read Bits

If the Peak Reset Bit is OFF, these bits are turned ON to read the peak values. The peak value for each ON bit will be read in the next time READ(88) is executed for the input word. If the Peak Read Bit is turned ON for an input point, the data read with the next READ(88) will be the peak value; if the Peak Read Bit is turned OFF for a point, the data read with the next READ(88) will be the normal input value. Here, however, "the next READ(88)" is the next one following the next I/O refresh period. The Peak Flags can be used to check to see whether peak values have been reached.

The Peak Read Bits are also used with the Peak Reset Bit to reset the peak values.

### Peak Flags

The Peak Flags turn ON to indicate that the input value for the input point has reached a peak value. input points for which peak values have been read instead of normal input values.

## Writing Data

WRIT(87) is used to transfer operating parameter directly to the Analog I/O Module and is executed only when both the A/D Busy Flag (IR n+1, bit 00) and A/D Read Finished Flag (IR n+1, bit 01) are OFF. If either of these flags is ON when WRIT(87) is reached in the program, WRIT(87) will be executed as NOP. After WRIT(87) has been executed, the PC Write Finished Flag (IR n, bit 01) will turn ON for one scan and the Equals flag ( SR 6306 or SR 25506) will turn ON.

**Data Writing Area**

WRIT(87), is used to transfer a maximum of 26 words of data to the Analog Input Module. The first word, m, is specified by the user and written as the beginning source word of WRIT(87). All consecutive words must be in the same data area (DM m through DM m+25).

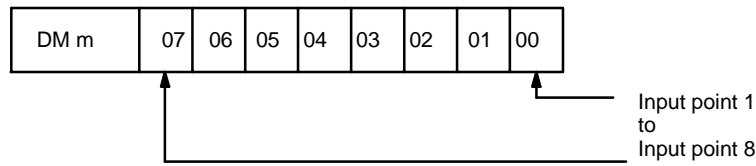
The first two words are used to specify which points will be used and which points the mean and scaling functions will be used for. If the mean or scaling values are not required for an input point, no data need be provided, i.e., you need to transfer only the data that is actually required for operation as specified in the first two words. If not all of the data is required, fewer words will need to be transferred.

| DM word | Bit                                 |    |    |    |    |    |   |   |                           |   |   |   |   |   |   |   |
|---------|-------------------------------------|----|----|----|----|----|---|---|---------------------------|---|---|---|---|---|---|---|
|         | 15                                  | 14 | 13 | 12 | 11 | 10 | 9 | 8 | 7                         | 6 | 5 | 4 | 3 | 2 | 1 | 0 |
| DM m    | Specify points for mean function    |    |    |    |    |    |   |   | Specify points to be used |   |   |   |   |   |   |   |
| DM m+1  | Specify points for scaling function |    |    |    |    |    |   |   | 0                         |   |   |   | 0 |   |   |   |
| DM m+2  | Mean value 1                        |    |    |    |    |    |   |   |                           |   |   |   |   |   |   |   |
| DM m+3  | Mean value 2                        |    |    |    |    |    |   |   |                           |   |   |   |   |   |   |   |
| DM m+4  | Mean value 3                        |    |    |    |    |    |   |   |                           |   |   |   |   |   |   |   |
| DM m+5  | Mean value 4                        |    |    |    |    |    |   |   |                           |   |   |   |   |   |   |   |
| DM m+6  | Mean value 5                        |    |    |    |    |    |   |   |                           |   |   |   |   |   |   |   |
| DM m+7  | Mean value 6                        |    |    |    |    |    |   |   |                           |   |   |   |   |   |   |   |
| DM m+8  | Mean value 7                        |    |    |    |    |    |   |   |                           |   |   |   |   |   |   |   |
| DM m+9  | Mean value 8                        |    |    |    |    |    |   |   |                           |   |   |   |   |   |   |   |
| DM m+10 | Scaling offset 1                    |    |    |    |    |    |   |   |                           |   |   |   |   |   |   |   |
| DM m+11 | Scaling gain 1                      |    |    |    |    |    |   |   |                           |   |   |   |   |   |   |   |
| DM m+12 | Scaling offset 2                    |    |    |    |    |    |   |   |                           |   |   |   |   |   |   |   |
| DM m+13 | Scaling gain 2                      |    |    |    |    |    |   |   |                           |   |   |   |   |   |   |   |
| DM m+14 | Scaling offset 3                    |    |    |    |    |    |   |   |                           |   |   |   |   |   |   |   |
| DM m+15 | Scaling gain 3                      |    |    |    |    |    |   |   |                           |   |   |   |   |   |   |   |
| DM m+16 | Scaling offset 4                    |    |    |    |    |    |   |   |                           |   |   |   |   |   |   |   |
| DM m+17 | Scaling gain 4                      |    |    |    |    |    |   |   |                           |   |   |   |   |   |   |   |
| DM m+18 | Scaling offset 5                    |    |    |    |    |    |   |   |                           |   |   |   |   |   |   |   |
| DM m+19 | Scaling gain 5                      |    |    |    |    |    |   |   |                           |   |   |   |   |   |   |   |
| DM m+20 | Scaling offset 6                    |    |    |    |    |    |   |   |                           |   |   |   |   |   |   |   |
| DM m+21 | Scaling gain 6                      |    |    |    |    |    |   |   |                           |   |   |   |   |   |   |   |
| DM m+22 | Scaling offset 7                    |    |    |    |    |    |   |   |                           |   |   |   |   |   |   |   |
| DM m+23 | Scaling gain 7                      |    |    |    |    |    |   |   |                           |   |   |   |   |   |   |   |
| DM m+24 | Scaling offset 8                    |    |    |    |    |    |   |   |                           |   |   |   |   |   |   |   |
| DM m+25 | Scaling gain 8                      |    |    |    |    |    |   |   |                           |   |   |   |   |   |   |   |

**Caution** Input the mean value and scaling values only for points for which the mean and/or scaling function has been designated. If one of these is not needed for a point, move all other parameters up one word to replace it. For example, if a mean value is not required for input point 3 but is required for points 1, 2, and 4, the mean value for point 4 would be placed in DM m+ 04 instead of DM m+5.

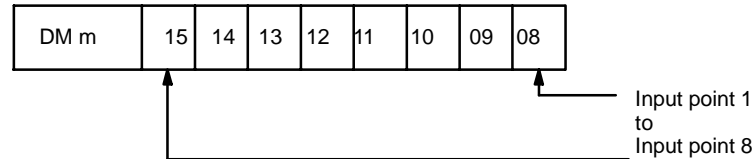
**Point Specification**

If a point is to be used, turn the corresponding bit ON. If a point is not to be used, turn the corresponding bit OFF.



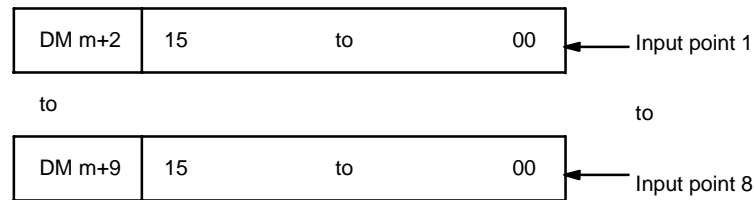
**Mean Value Specification**

If mean for an input point is to be used, turn the corresponding bit ON. If mean is not to be used, turn the corresponding bit OFF.



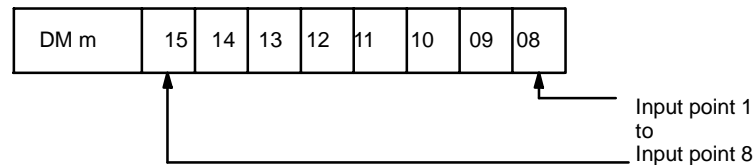
Specify the sampling count (2 through 9999) for the mean value. Enter data for each point specified for the mean function. Data must be specified in BCD. The actual words where data will need to be stored will depend on the actual data required.

If a large count is set, the conversion time may exceed the 10-ms-per-point conversion time by 1 or 2 ms.

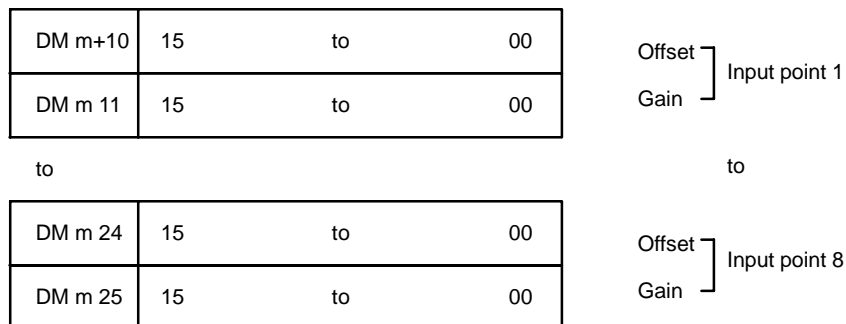


**Scaling**

If scaling is to be used for an input point, turn the corresponding bit ON. If scaling is not to be used, turn the corresponding bit OFF.



Enter the offset and gain for each point for which the scaling function has been designated. The offset is the value that is to correspond to 000<sub>hex</sub>. The gain is the value corresponding to FFF<sub>hex</sub>. The offset and gain must be set in BCD and must be in the range 0 through 9999. The gain must be greater than the offset.



**Reading Data**

READ(88) will be executed when the A/D Busy Flag (IR n+1, bit 00) is OFF and the A/D Write Finished Flag (IR n+1, bit 02) is ON. If the A/D Busy Flag is ON or the A/D Write Finished Flag is OFF, READ(88) will not be executed.

The data transferred for READ(88) depends on the status of the Peak Read Bits, i.e., if the Peak Read Bit for an input is ON, the peak value will be transferred; if the Peak Read Bit is OFF, the normal binary-converted value will be transferred. The Peak Flags can be used to confirm what data has been transferred. The last word transferred always contains the Disconnection Flags.

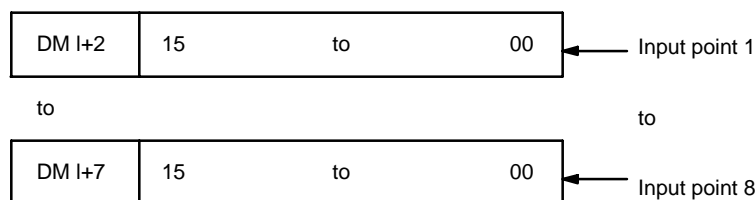
**Data Reading Area**

READ(88) is used to transfer a maximum of 9 words of data beginning from DM I. The first word, I, is specified by the user and written as the beginning destination word of READ(88). You can select any area of DM as long as the end of the area is not exceeded (DM I through DM I+8).

| DM word | Bit                          |    |    |    |    |    |   |   |                     |   |   |   |   |   |   |   |
|---------|------------------------------|----|----|----|----|----|---|---|---------------------|---|---|---|---|---|---|---|
|         | 15                           | 14 | 13 | 12 | 11 | 10 | 9 | 8 | 7                   | 6 | 5 | 4 | 3 | 2 | 1 | 0 |
| DM I    | Input point 1 converted data |    |    |    |    |    |   |   |                     |   |   |   |   |   |   |   |
| DM I+1  | Input point 2 converted data |    |    |    |    |    |   |   |                     |   |   |   |   |   |   |   |
| DM I+2  | Input point 3 converted data |    |    |    |    |    |   |   |                     |   |   |   |   |   |   |   |
| DM I+3  | Input point 4 converted data |    |    |    |    |    |   |   |                     |   |   |   |   |   |   |   |
| DM I+4  | Input point 5 converted data |    |    |    |    |    |   |   |                     |   |   |   |   |   |   |   |
| DM I+5  | Input point 6 converted data |    |    |    |    |    |   |   |                     |   |   |   |   |   |   |   |
| DM I+6  | Input point 7 converted data |    |    |    |    |    |   |   |                     |   |   |   |   |   |   |   |
| DM I+7  | Input point 8 converted data |    |    |    |    |    |   |   |                     |   |   |   |   |   |   |   |
| DM I+8  | 0                            |    |    |    | 0  |    |   |   | Disconnection Flags |   |   |   |   |   |   |   |

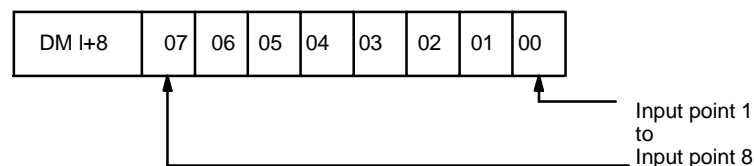
**Note** Do not allocate the same area for both writing and reading data.

**Input Point Converted Data** A/D converted data is written to the specified words. When scaling is used, data is in 4-bit BCD (bits 00 to 15). When scaling is not used, data is in 3-bit hexadecimal (bits 00 to 11).



**Disconnection Flags**

When an input line disconnection is detected, the flag assigned to the input point will turn ON. The offset value must be at least 1 V (1 mA) for these flags to work.



### 4-3-5 Four-word Operation

With four-word operation, IR n and IR n+2 are used as dedicated output and input words, respectively. IR n+1 is used to control data transfer and IR n+3 is used to monitor data transfer.

To write data, move the desired data to IR n and then set the proper control bits to designate what data has been set. The data will be read in at the next I/O refresh period. To read data, set the proper control bits and then move the data input to IR n+2 to the desired storage location after checking the flags to confirm that the desired data has been input.

Individual control bits and flags are described following the allocations table below.

#### IR Bit Allocations

| Bit | Output                |                         | Input        |                          |           |
|-----|-----------------------|-------------------------|--------------|--------------------------|-----------|
|     | IR n                  | IR n+1                  | IR n+2       | IR n+3                   |           |
| 00  | Writing data          | Point 1 Control Bit     | Reading data | Point 1 Read Flag        |           |
| 01  |                       | Point 2 Control Bit     |              | Point 2 Read Flag        |           |
| 02  |                       | Point 3 Control Bit     |              | Point 3 Read Flag        |           |
| 03  |                       | Point 4 Control Bit     |              | Point 4 Read Flag        |           |
| 04  |                       | Point 5 Control Bit     |              | Point 5 Read Flag        |           |
| 05  |                       | Point 6 Control Bit     |              | Point 6 Read Flag        |           |
| 06  |                       | Point 7 Control Bit     |              | Point 7 Read Flag        |           |
| 07  |                       | Point 8 Control Bit     |              | Point 8 Read Flag        |           |
| 08  |                       | Normal/Peak Control Bit |              | Disconnection Flag       |           |
| 09  |                       | Not used.               | Not used.    | Normal/Peak Flag         |           |
| 10  |                       |                         |              | Not used.                | Not used. |
| 11  |                       |                         |              |                          |           |
| 12  |                       | Peak Reset Bit          | Not used.    |                          |           |
| 13  |                       | A/D Conversion Bit      |              |                          |           |
| 14  |                       | PC Write Completed Bit  |              | A/D Write Completed Flag |           |
| 15  | PC Read Completed Bit |                         |              |                          |           |

#### Point Control Bits

Turn ON one of the Point Control Bits to designate the desired input point when writing the number of sampling counts for the mean value and when reading binary-converted data. When using peak hold, turn the A/D Conversion Bit OFF. When not using peak hold, turn this flag ON.

#### Normal/Peak Control Bit

Turn this flag and the A/D Conversion Bit ON to read normal binary-converted values and turn this flag and the A/D Conversion Bit OFF to read peak values.

#### Peak Reset Bit

Turn this bit ON to reset an input point for which the peak value is being read.

#### A/D Conversion Bit

Turn this flag ON when reading normal data, and turn it OFF when reading peak values or writing the number of sampling counts for the mean value.

#### Point Read Flags

One of these flags turns ON to designate the input point for which data is being read.

#### Disconnection Flag

When the signal line of the point designated by the Point Read Flags is burned out or disconnected, this flag turns ON. The offset must be set to at least 1 V (4 mA) for this flag to work.

**Normal/Peak Flag** This flag turns ON when the data being read is normal data and turns OFF when the data is the peak value.

**Mean Function** If the both the Normal/Peak Control Bit and the A/D Conversion Bit are turned OFF, the value in IR n will be read in as the sampling count for the mean value for the input point specified by the Point Control Bits. Specify the sampling count (2 through 9999) for the mean value. Set the count to 0 to turn OFF the mean function for that point. Data must be specified in BCD.

**Note** The scaling function does not work with 4-word operation.

## 4-4 DA001 through DA005 Analog Output Modules

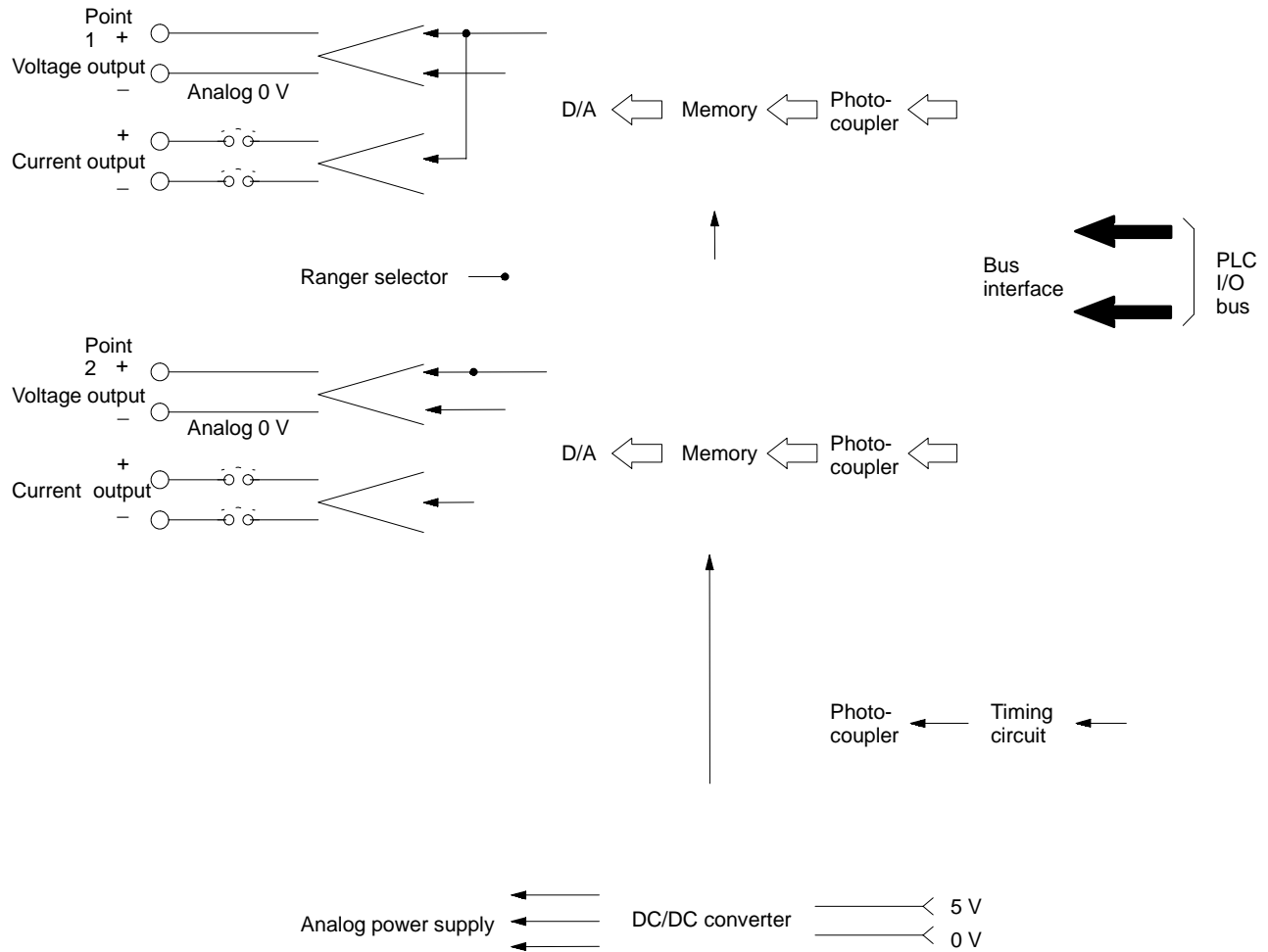
With the DA001 through DA005, the binary-converted value for each output point is placed in a dedicated IR word, i.e., the contents of the IR word allocated to any one output point contains the value of to be converted for output as an analog value.

This section describes the internal connections of the Module, the AD conversion method used, and the IR bit allocations. Refer to *Section 4 Programming Considerations* for programming examples.



### 4-4-1 Block Diagram

The following diagram shows the basic internal connections of the Module.



The current outputs are not connected in Modules whose voltage output range is other than 1 to 5 V.

### 4-4-2 D/A Conversion

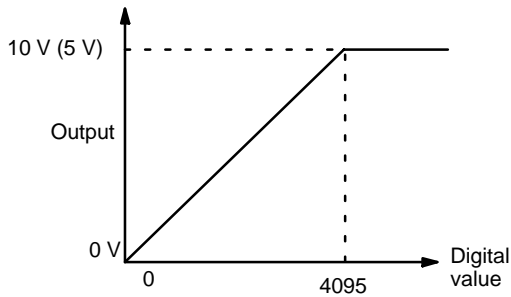
These Modules convert 12-bit binary data to voltage or current output. Each Module has a different type of output. Outputs can be either unipolar or bipolar, with the resolution depending on the model.

#### Unipolar Outputs

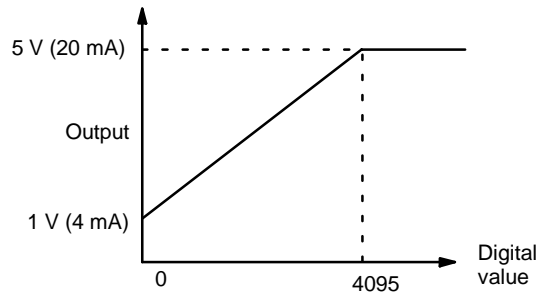
Output ranges: 0 to 10 V, 0 to 5 V, or 1 to 5 V (4 to 20 mA)

Data format: 12-bit binary

Data conversion for unipolar outputs is illustrated below.



0 to 10 V Output or 0 to 5 V Outputs



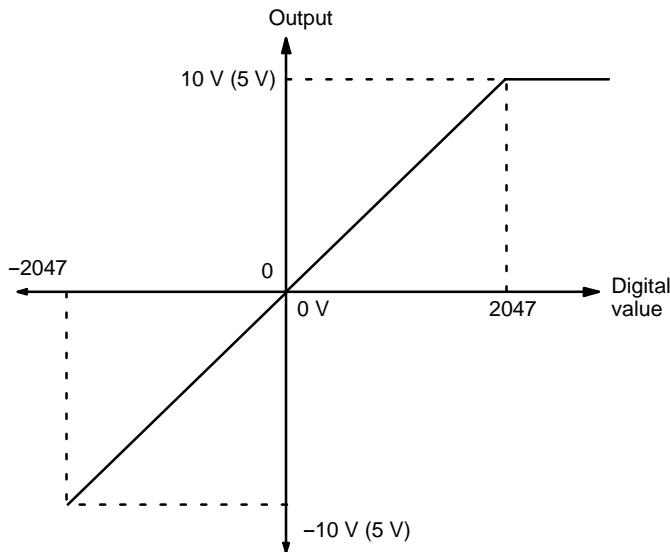
1 to 5 V (4 to 20 mA) Outputs

**Bipolar Output**

Output range: -10 to 10 V, -5 to 5 V

Data format: 11-bit binary +1 Sign Flag (The Sign Flag is bit 11; OFF is positive, ON is negative.)

Data conversion for bipolar outputs is illustrated below.



**Note:** The numbers 2048 to 4095 represent the values -0 to -2047.

### 4-4-3 IR Bit Allocations

Bit allocations of the words that contain the values that will be converted to analog values for output from each output point on the Analog Output Module are shown below.

| Bit      | Output words                              |   |
|----------|---|---|
|          | IR n: Point 1                             | IR n+1: Point 2                           |
| 0        | D/A conversion data $2^0$                 | D/A conversion data $2^0$                 |
| 1        | D/A conversion data $2^1$                 | D/A conversion data $2^1$                 |
| 2        | D/A conversion data $2^2$                 | D/A conversion data $2^2$                 |
| 3        | D/A conversion data $2^3$                 | D/A conversion data $2^3$                 |
| 4        | D/A conversion data $2^4$                 | D/A conversion data $2^4$                 |
| 5        | D/A conversion data $2^5$                 | D/A conversion data $2^5$                 |
| 6        | D/A conversion data $2^6$                 | D/A conversion data $2^6$                 |
| 7        | D/A conversion data $2^7$                 | D/A conversion data $2^7$                 |
| 9        | D/A conversion data $2^9$                 | D/A conversion data $2^9$                 |
| 10       | D/A conversion data $2^{10}$              | D/A conversion data $2^{10}$              |
| 11       | D/A conversion data $2^{11}$ or Sign Flag | D/A conversion data $2^{11}$ or Sign Flag |
| 12 to 15 | Usable as work bits.                      | Usable as work bits.                      |

**Note** For bipolar outputs, bit 11 is OFF for positive output values and ON for negative output values.

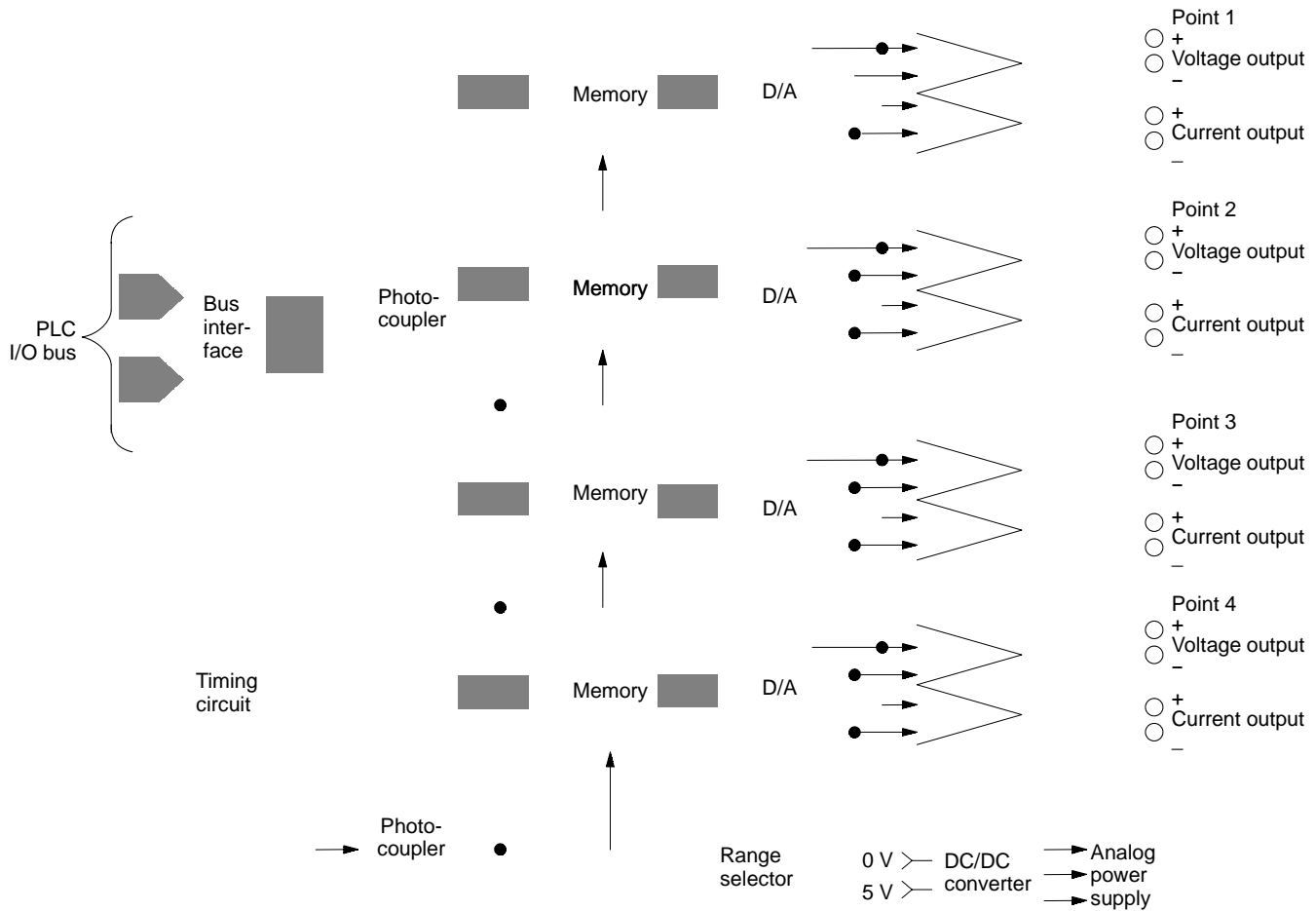
## 4-5 DA101 Analog Output Modules

With the DA101, the binary-converted value for each output point is placed in a dedicated IR word, i.e., the contents of the IR word allocated to any one output point contains the value of to be converted for output as an analog value.

This section describes the internal connections of the Module, the AD conversion method used, and the IR bit allocations. Refer to *Section 4 Programming Considerations* for programming examples.

### 4-5-1 Block Diagram

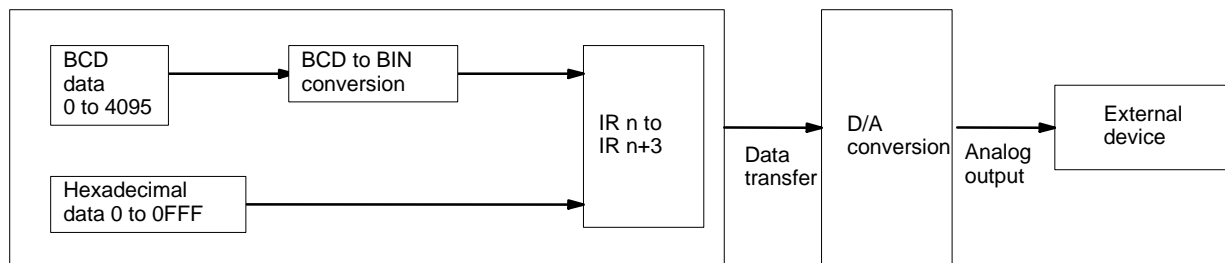
The following diagram shows the basic internal connections of the Module.



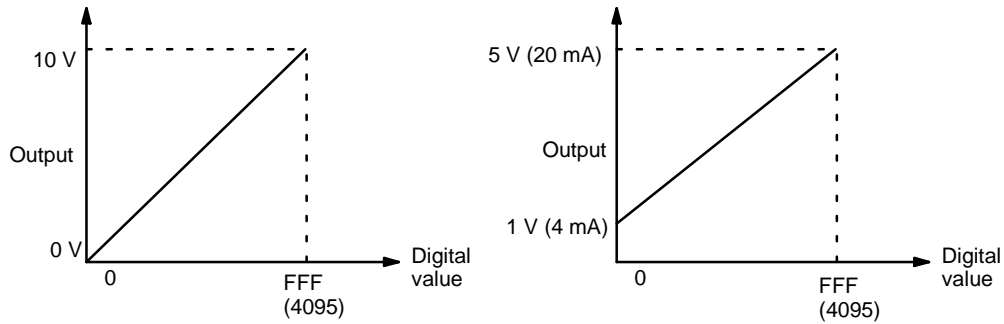
### 4-5-2 D/A Conversion

This Module converts 3-digit hexadecimal values (000 to FFF) from the specified words (IR n to n+3) for output from the Analog Output Module. The output range depends on the setting of the DIP switches (see *Section 2 Components and Switch Settings*).

The following diagram shows the basic flow of data from some PLC memory area, to the IR words allocated to the Analog Outputs Module, to the Module itself, and finally to the external device.

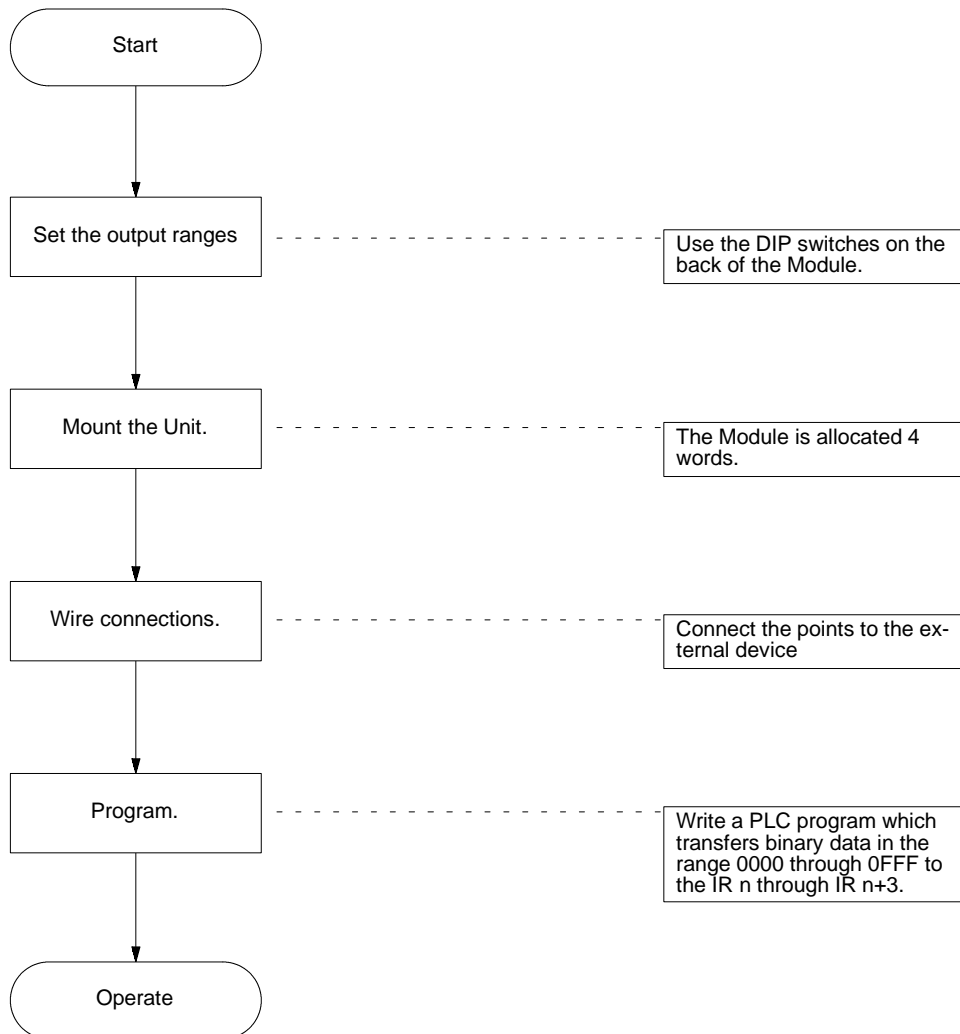


The following diagram illustrates the conversion of values in IR n to IR n+3 to analog output values. The specific analog output ranges to which the binary values are converted depends on the switch settings of the Module.



### 4-5-3 Operational Flow

The basic operational flow is illustrated below. Some of these steps have already been described.



## 4-5-4 IR Bit Allocations

Bit allocations of the words that contain the values that will be converted to analog values for output from each output point on the Analog Output Module are shown below.

| Bit      | Output words                 |                              |                              |                              |
|----------|------------------------------|------------------------------|------------------------------|------------------------------|
|          | IR n: Point 1                | IR n+1: Point 2              | IR n+2: Point 3              | IR n+3: Point 4              |
| 0        | D/A conversion data $2^0$    | D/A conversion data $2^0$    | D/A conversion data $2^0$    | D/A conversion data $2^0$    |
| 1        | D/A conversion data $2^1$    | D/A conversion data $2^1$    | D/A conversion data $2^1$    | D/A conversion data $2^1$    |
| 2        | D/A conversion data $2^2$    | D/A conversion data $2^2$    | D/A conversion data $2^2$    | D/A conversion data $2^2$    |
| 3        | D/A conversion data $2^3$    | D/A conversion data $2^3$    | D/A conversion data $2^3$    | D/A conversion data $2^3$    |
| 4        | D/A conversion data $2^4$    | D/A conversion data $2^4$    | D/A conversion data $2^4$    | D/A conversion data $2^4$    |
| 5        | D/A conversion data $2^5$    | D/A conversion data $2^5$    | D/A conversion data $2^5$    | D/A conversion data $2^5$    |
| 6        | D/A conversion data $2^6$    | D/A conversion data $2^6$    | D/A conversion data $2^6$    | D/A conversion data $2^6$    |
| 7        | D/A conversion data $2^7$    | D/A conversion data $2^7$    | D/A conversion data $2^7$    | D/A conversion data $2^7$    |
| 8        | D/A conversion data $2^8$    | D/A conversion data $2^8$    | D/A conversion data $2^8$    | D/A conversion data $2^8$    |
| 9        | D/A conversion data $2^9$    | D/A conversion data $2^9$    | D/A conversion data $2^9$    | D/A conversion data $2^9$    |
| 10       | D/A conversion data $2^{10}$ | D/A conversion data $2^{10}$ | D/A conversion data $2^{10}$ | D/A conversion data $2^{10}$ |
| 11       | D/A conversion data $2^{11}$ | D/A conversion data $2^{11}$ | D/A conversion data $2^{11}$ | D/A conversion data $2^{11}$ |
| 12 to 15 | Usable as work bits.         | Usable as work bits.         | Usable as work bits.         | Usable as work bits.         |

# SECTION 5

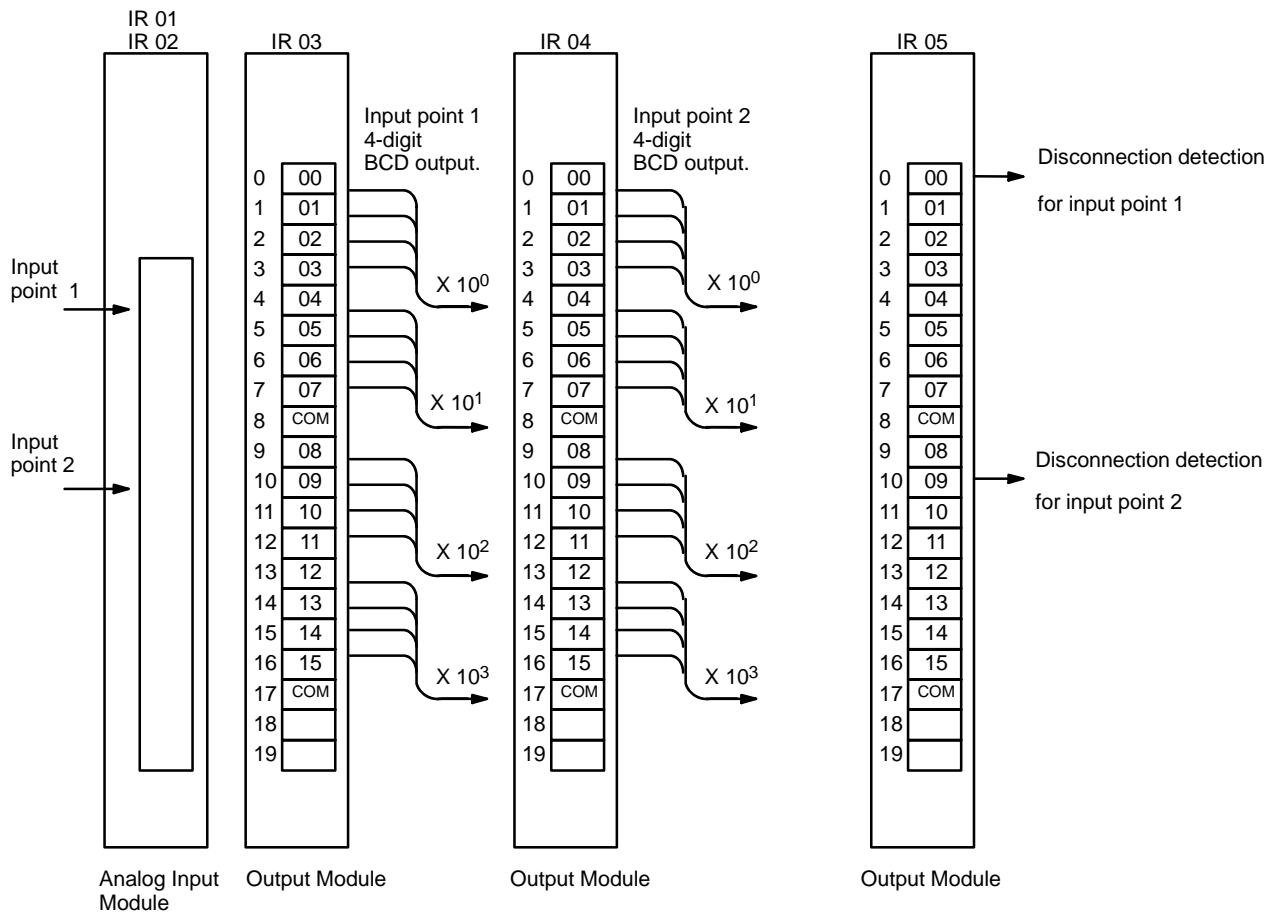
## Programming Considerations

This section provides examples of the most common methods of programming for the Analog I/O Modules. Be sure to read *Section 3 Operation* first to understand the basic operation of the Module before attempting to study these programs.

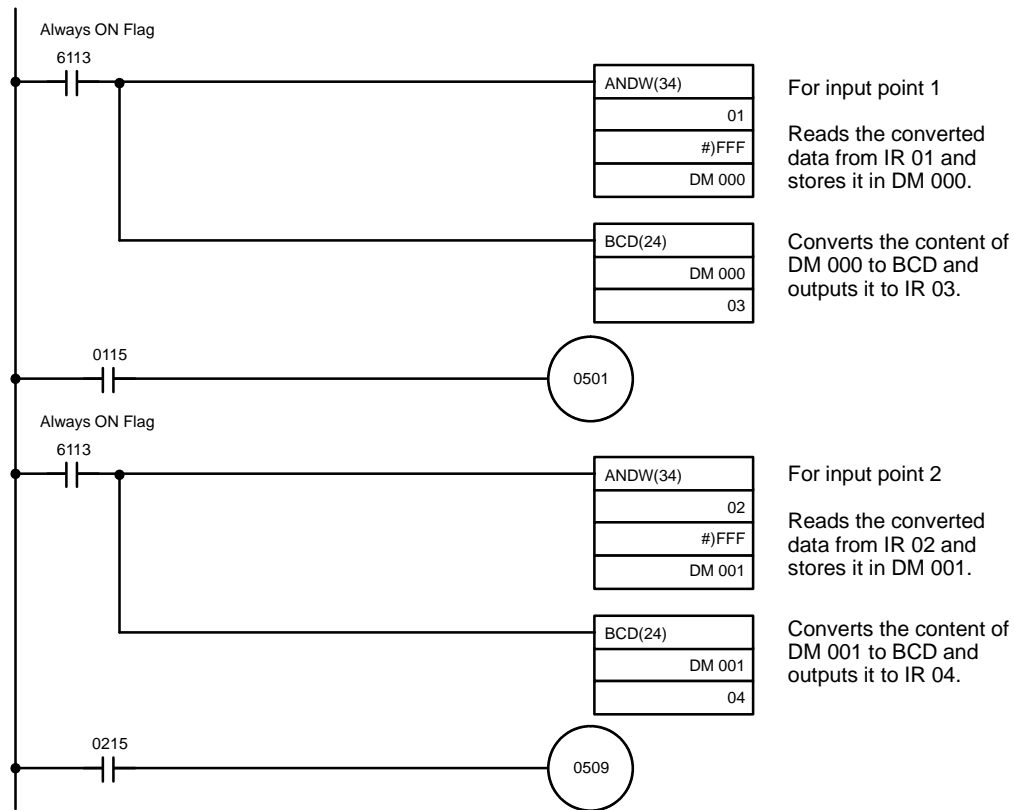
|       |   |    |
|-------|---|----|
| 5-1   | AD001 through AD005 Analog Input Modules .....  | 48 |
| 5-2   | AD006 and AD007 Analog Input Modules .....      | 50 |
| 5-3   | AD101 Analog Input Modules .....                | 52 |
| 5-3-1 | Two-word Operation .....                        | 52 |
| 5-3-2 | Four-word Operation .....                       | 59 |
| 5-4   | DA001 through DA005 Analog Output Modules ..... | 69 |
| 5-5   | DA101 Analog Output Modules .....               | 71 |

### 5-1 AD001 through AD005 Analog Input Modules

All that is necessary in programming these Modules is to access the binary-converted analog values at the allocated IR words and use it as required by the control system. The following example program converts two input points to two 4-digit BCD values (4095 maximum) and outputs the result. The words allocated to each Module are shown above the Module. The program is shown on the following page. In programming, ANDW(34) is used to read the data and at the same time filter out the converted value, i.e., only bits 0 through 11.





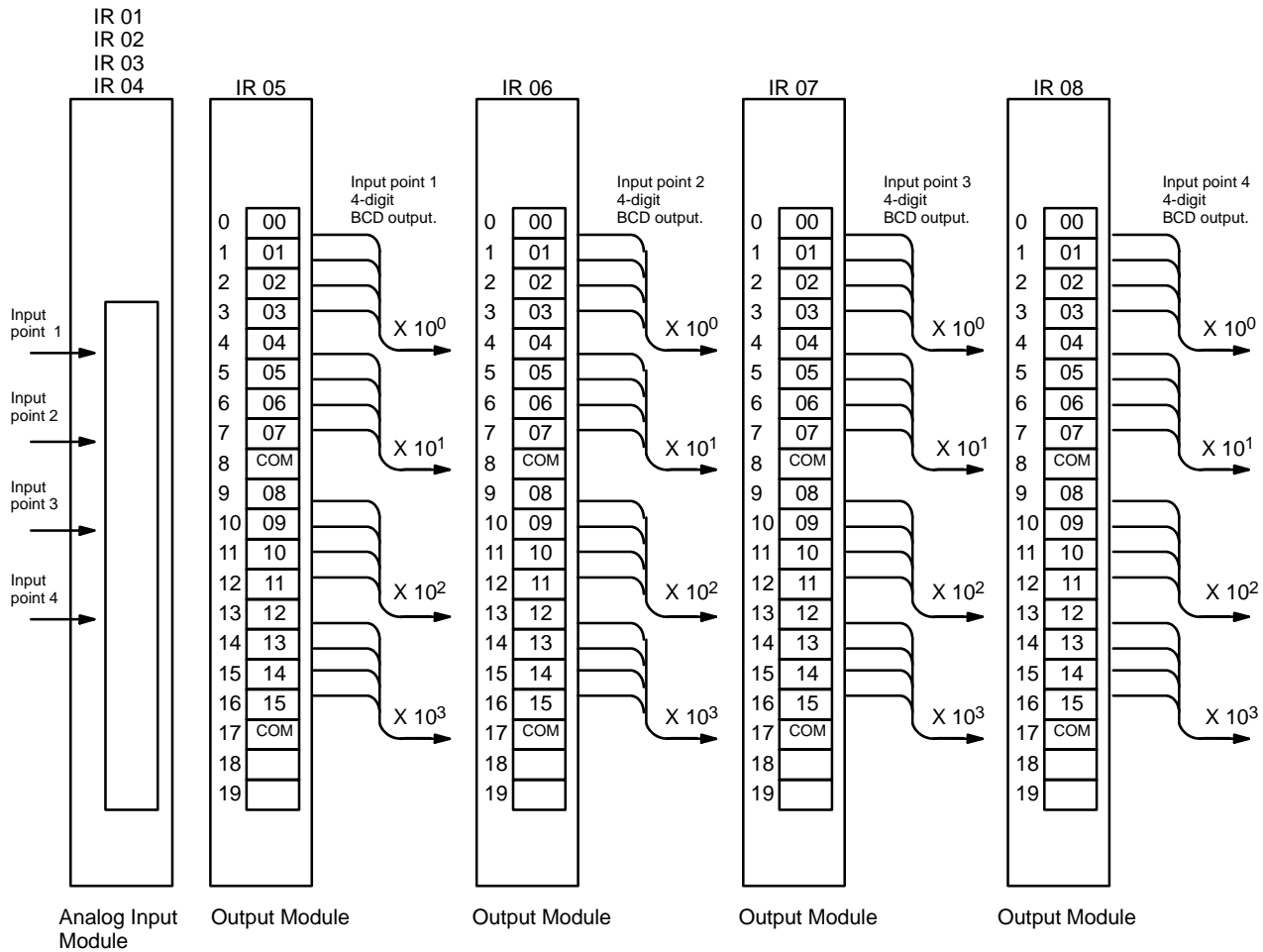


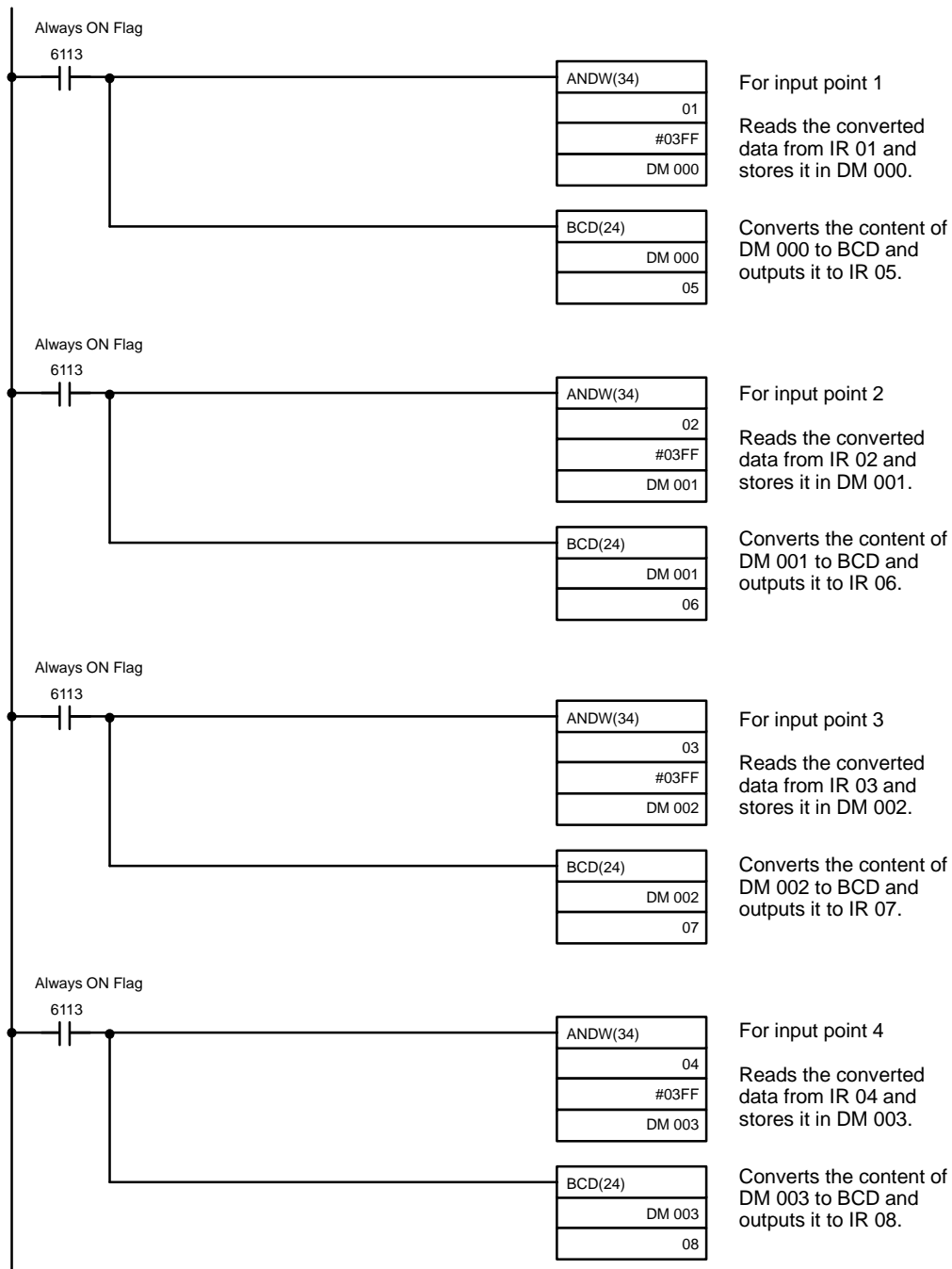
| Address | Instruction | Operands |
|---------|-------------|----------|
| 00000   | LD          | 6113     |
| 00001   | ANDW(34)    |          |
|         |             | 01       |
|         |             | # 0FFF   |
|         |             | DM 000   |
| 00002   | BCD(24)     |          |
|         |             | DM 000   |
|         |             | 03       |
| 00003   | LD          | 0115     |
| 00004   | OUT         | 0501     |

| Address | Instruction | Operands |
|---------|-------------|----------|
| 00005   | LD          | 6113     |
| 00006   | ANDW(34)    |          |
|         |             | 02       |
|         |             | # 0FFF   |
|         |             | DM 001   |
| 00007   | BCD(24)     |          |
|         |             | DM 001   |
|         |             | 04       |
| 00008   | LD          | 0115     |
| 00009   | OUT         | 0501     |

## 5-2 AD006 and AD007 Analog Input Modules

All that is necessary in programming these Modules is to access the binary-converted analog values at the allocated IR words and use it as required by the control system. The following example program converts four input points to four 4-digit BCD values (1023 maximum) and outputs the result. The words allocated to each Module are shown above the Module. The program is shown on the following page. In programming, ANDW(34) is used to read the data and at the same time filter out the converted value, i.e., only bits 0 through 9.





| Address | Instruction | Operands | Address | Instruction | Operands |
|---------|-------------|----------|---------|-------------|----------|
| 00000   | LD          | 6113     | 00006   | LD          | 6113     |
| 00001   | ANDW(34)    |          | 00007   | ANDW(34)    |          |
|         |             | 01       |         |             | 03       |
|         |             | # 03FF   |         |             | # 03FF   |
|         |             | DM 000   |         |             | DM 002   |
| 00002   | BCD(24)     |          | 00008   | BCD(24)     |          |
|         |             | DM 000   |         |             | DM 002   |
|         |             | 05       |         |             | 07       |
| 00003   | LD          | 6113     | 00009   | LD          | 6113     |
| 00004   | ANDW(34)    |          | 00010   | ANDW(34)    |          |
|         |             | 02       |         |             | 04       |
|         |             | # 03FF   |         |             | # 03FF   |
|         |             | DM 001   |         |             | DM 003   |
| 00005   | BCD(24)     |          | 00011   | BCD(24)     |          |
|         |             | DM 001   |         |             | DM 003   |
|         |             | 06       |         |             | 08       |

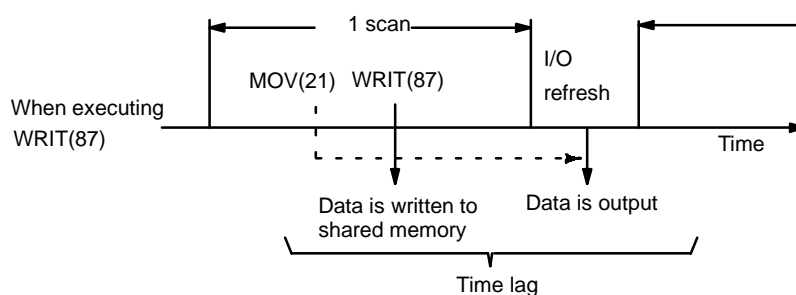
## 5-3 AD101 Analog Input Modules

The operation of the AD101 Analog Input Module depends on the setting of the operation mode switch (see *Section 2 Components and Switch Settings*.) Although two-word operation simplifies programming and always direct reading of analog input values without delays caused by waiting for the I/O refresh period, it is possible only on CPUs that support the I/O WRITE and I/O READ Instructions, WRIT(87) and READ(88).

### 5-3-1 Two-word Operation

READ(88) are used to program transfer of normal and peak binary-converted analog values from the Analog Input Module to the PLC and WRIT(87) is used to program transfer of parameters from the PLC to the Analog Input Module.

When programming, take into account the difference between the time data is written memory and time data is input or output via READ(88) and WRIT(87), i.e., there must be one I/O refresh period between any MOV(21)'s used to set control bits and READ(88) and WRIT(87).



In the following example, we will use the C500 as an example. All 8 points will be used. Means will be calculated for points 5 through 8, and scaling will be performed for points 7 and 8. The Module will be mounted in IR 00, so that IR 00 will be the output word and IR 01 will be the input word. DM 000 through DM 009 will be used for writing data, and DM 100 through DM 108 will be used for reading data. DM 200 through DM 207 will be used to hold the peak values of points 1 through 8.

**Allocation for Reading Data**

The following tables show the memory locations to which the program will move the various values resulting from the analog inputs.

| Input point | Normal converted data | Peak value | BCD converted data |
|-------------|-----------------------|------------|--------------------|
| 1           | DM 100                | DM 200     | DM 300             |
| 2           | DM 101                | DM 201     | DM 301             |
| 3           | DM 102                | DM 202     | DM 302             |
| 4           | DM 103                | DM 203     | DM 303             |
| 5           | DM 104                | DM 204     | DM 304             |
| 6           | DM 105                | DM 205     | DM 305             |
| 7           | DM 106                | DM 206     | DM 306             |
| 8           | DM 107                | DM 207     | DM 307             |

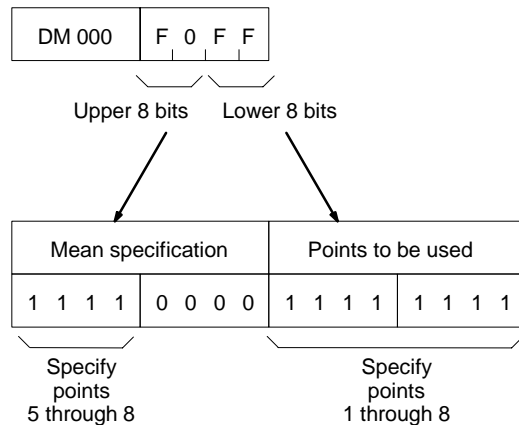
|                    |        |
|--------------------|--------|
| Disconnection Flag | DM 108 |
|--------------------|--------|

**Allocation for Writing Data**

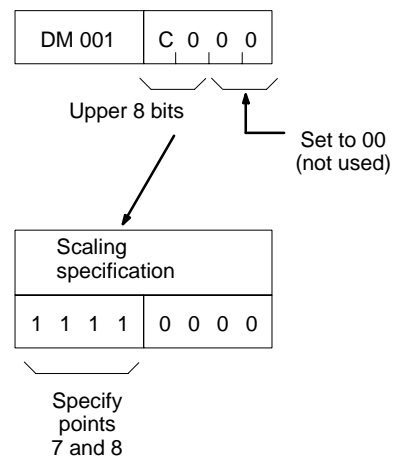
The following table shows the memory locations from which the program will write parameters to the Analog Input Module.

| Address | Set value | Contents                                  |                                      |
|---------|-----------|---|--------------------------------------|
| DM 000  | F 0 F F   | Mean value specification/point to be used |                                      |
| DM 001  | C 0 0 0   | Scaling specification                     |                                      |
| DM 002  | 0 0 0 5   | Point 5                                   | Mean value data<br>(Sampling counts) |
| DM 003  | 0 0 1 0   | Point 6                                   |                                      |
| DM 004  | 0 0 2 0   | Point 7                                   |                                      |
| DM 005  | 0 0 5 0   | Point 8                                   |                                      |
| DM 006  | 0 0 0 0   | Point 7 Offset data                       | Scaling data                         |
| DM 007  | 3 0 0 0   | Point 7 Gain data                         |                                      |
| DM 008  | 1 0 0 0   | Point 8 Offset data                       |                                      |
| DM 009  | 5 0 0 0   | Point 8 Gain data                         |                                      |

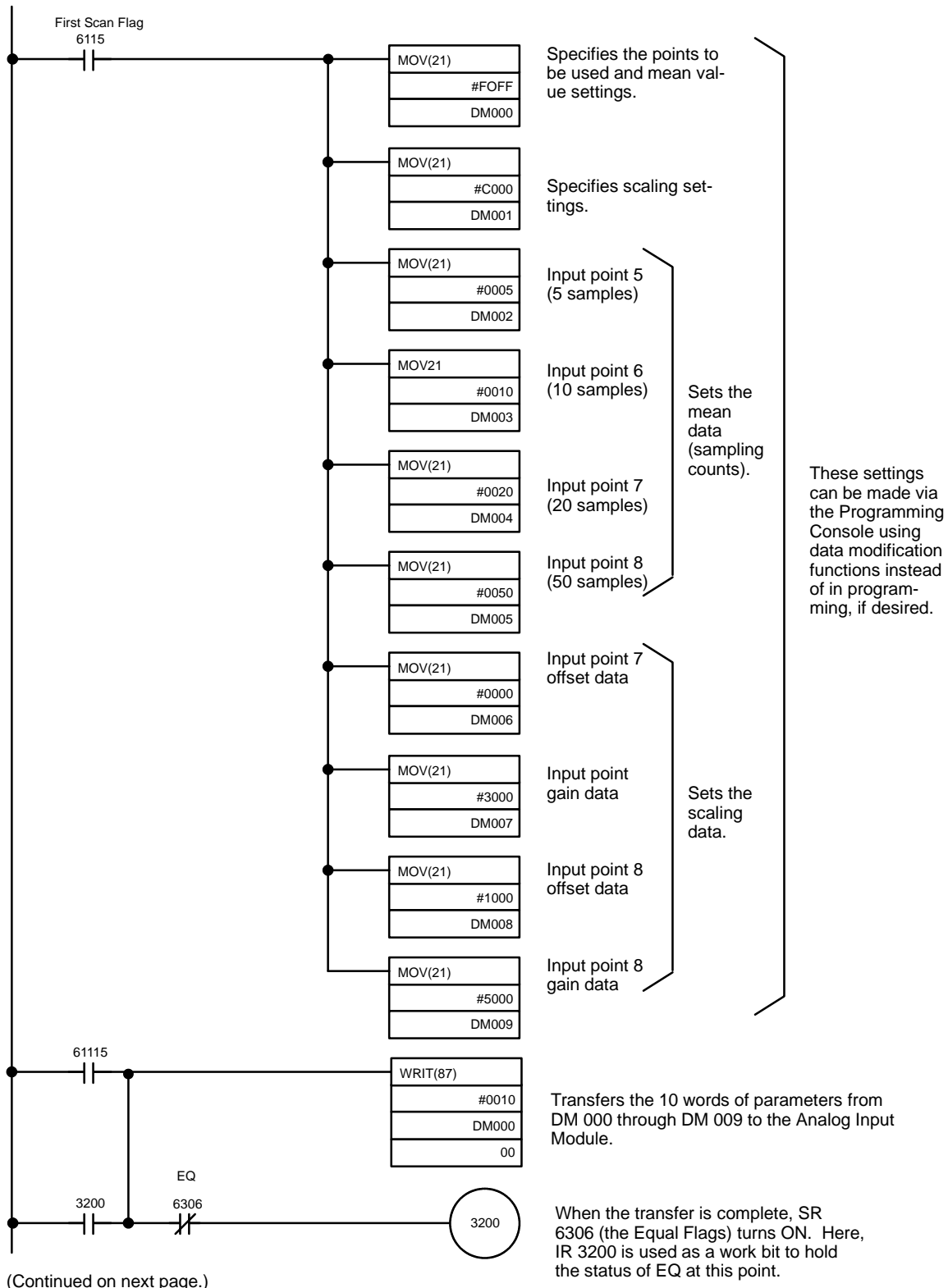
Contents of DM 000



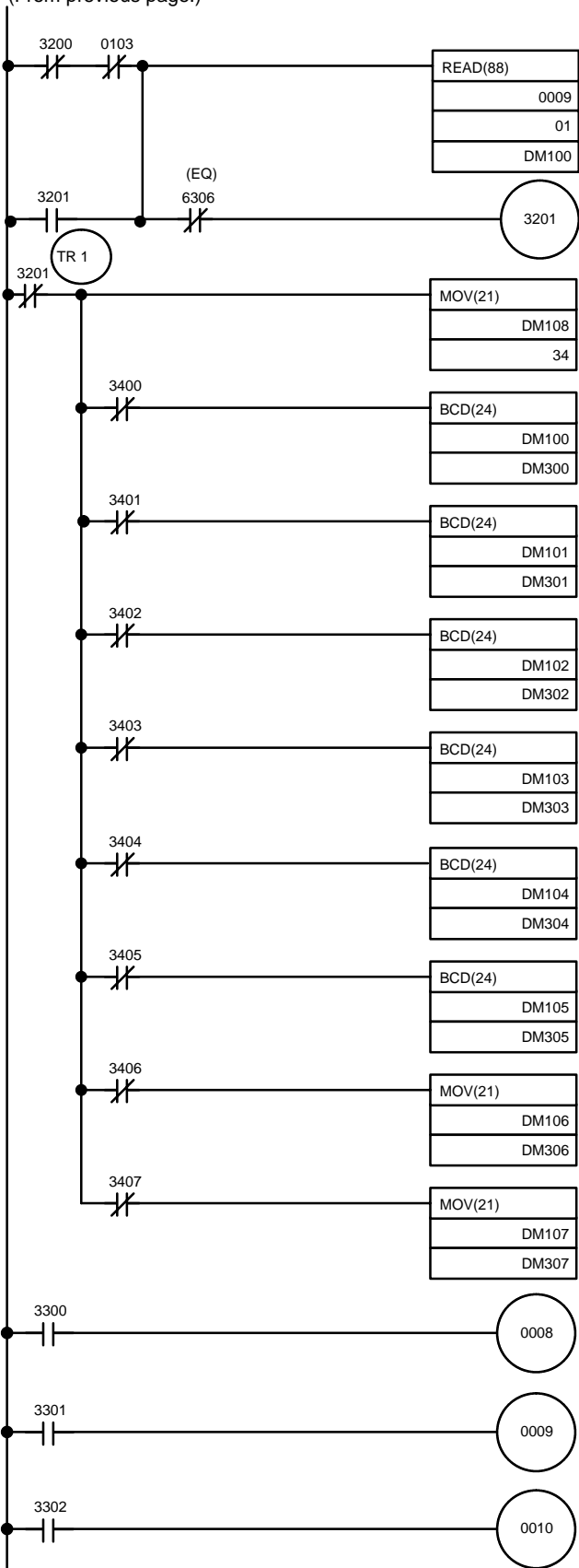
Contents of DM 001



**Note:** The data writing area extends to 27 words maximum. If some points are not used for mean value or scaling, as shown above, the area will be smaller. Set only the data which needs to be set according to the settings of the first two words (here DM 000 and DM 001).



(From previous page.)



A/D converted data and the Disconnection Flags from points 1 through 8 are read in and stored in DM 100 through DM 108. IR 0103 (the Unconfirmed Data Flag) stops unconfirmed data from being accepted.

When reading is complete, SR 6306 (the Equal Flags) turns ON, activating IR 3201.

Disconnection Flags (the lower 8 bits of DM 108) are output to IR 34.

Input point 1

Input point 2

Input point 3

Input point 4

Input point 5

Input point 6

Input point 7

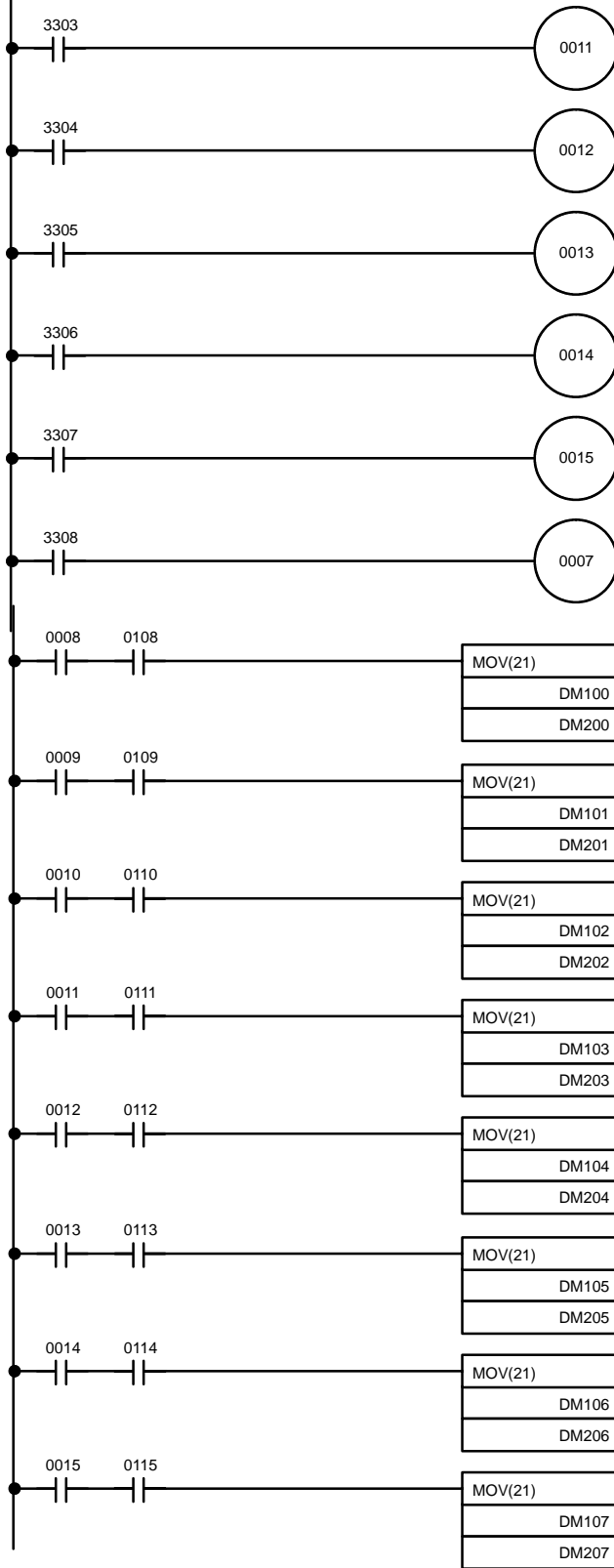
Input point 8

Binary data from points 1 through 6 is converted to BCD and written to DM 300 through DM 305. IR 3400 through 3407 are used as work bits activated by the Disconnection Flags to prevent data from being moved when an input is disconnected.

Scaling (BCD output) is performed on points 7 and 8 and the data is written to DM 306 and DM 307 without conversion.

(Continued on next page.)

(From previous page.)



IR 33 is used for peak values. IR 0008 through IR 0015 are used to activate moving the peak values into the desired storage locations. Turn ON the Peak Read Bits and check the Peak Flags to read the peak values (see the next page). IR 0007 is used as the Peak Reset Flag. Turn both the Peak Reset Flag and the Peak Read Bit ON to reset a peak value.

IR 0108 through IR 0115 are used as Peak Flags. When the input point data reaches a peak value, the flag corresponding to the input point will turn ON. When both the Peak Read Bit and Peak Flags are ON, the peak value, which will have been read at the last READ(87), will be written to DM 200 through DM 207.



| Address | Instruction | Operands |
|---------|-------------|----------|
| 00000   | LD          | 6115     |
| 00001   | MOV(21)     |          |
|         |             | # #F0FF  |
|         |             | DM 000   |
| 00002   | MOV(21)     |          |
|         |             | # #C000  |
|         |             | DM 001   |
| 00003   | MOV(21)     |          |
|         |             | # #0005  |
|         |             | DM 002   |
| 00004   | MOV(21)     |          |
|         |             | # #0010  |
|         |             | DM 003   |
| 00005   | MOV(21)     |          |
|         |             | # #0020  |
|         |             | DM 004   |
| 00006   | MOV(21)     |          |
|         |             | # #0050  |
|         |             | DM 005   |
| 00007   | MOV(21)     |          |
|         |             | # #0000  |
|         |             | DM 006   |
| 00008   | MOV(21)     |          |
|         |             | # #3000  |
|         |             | DM 007   |
| 00009   | MOV(21)     |          |
|         |             | # #1000  |
|         |             | DM 008   |
| 00010   | MOV(21)     |          |
|         |             | # #5000  |
|         |             | DM 009   |
| 00011   | LD          | 6115     |
| 00012   | WRIT(87)    |          |
|         |             | # 0010   |
|         |             | DM 000   |
|         |             | 00       |
| 00013   | LD          | 3200     |
| 00014   | AND NOT     | 6306     |
| 00015   | OUT         | 3200     |
| 00016   | LD NOT      | 3200     |
| 00017   | AND NOT     | 0103     |
| 00018   | OR          | 3201     |
| 00019   | READ(88)    |          |
|         |             | 0009     |
|         |             | 01       |
|         |             | DM 100   |
| 00020   | LD NOT      | 6306     |
| 00021   | AND LD      |          |
| 00022   | OUT         | 3201     |
| 00023   | LD NOT      | 3201     |
| 00024   | OUT         | TR 1     |
| 00025   | MOV(21)     |          |
|         |             | DM 108   |
|         |             | 34       |
| 00026   | AND NOT     | 3400     |

| Address | Instruction | Operands |
|---------|-------------|----------|
| 00027   | BCD(24)     |          |
|         |             | DM 100   |
|         |             | DM 300   |
| 00028   | LD          | TR 1     |
| 00029   | AND NOT     | 3401     |
| 00030   | BCD(24)     |          |
|         |             | DM 101   |
|         |             | DM 301   |
| 00031   | LD          | TR 1     |
| 00032   | AND NOT     | 3402     |
| 00033   | BCD(24)     |          |
|         |             | DM 102   |
|         |             | DM 302   |
| 00034   | LD          | TR 1     |
| 00035   | AND NOT     | 3403     |
| 00036   | BCD(24)     |          |
|         |             | DM 103   |
|         |             | DM 303   |
| 00037   | LD          | TR 1     |
| 00038   | AND NOT     | 3404     |
| 00039   | BCD(24)     |          |
|         |             | DM 104   |
|         |             | DM 304   |
| 00040   | LD          | TR 1     |
| 00041   | AND NOT     | 3405     |
| 00042   | BCD(24)     |          |
|         |             | DM 105   |
|         |             | DM 305   |
| 00043   | LD          | TR 1     |
| 00044   | AND NOT     | 3406     |
| 00045   | MOV(21)     |          |
|         |             | DM 106   |
|         |             | DM 306   |
| 00046   | LD          | TR 1     |
| 00047   | AND NOT     | 3407     |
| 00048   | MOV(21)     |          |
|         |             | DM 107   |
|         |             | DM 307   |
| 00059   | LD          | 3300     |
| 00060   | OUT         | 0008     |
| 00062   | LD          | 3301     |
| 00063   | OUT         | 0009     |
| 00064   | LD          | 3302     |
| 00065   | OUT         | 0010     |
| 00066   | LD          | 3303     |
| 00067   | OUT         | 0011     |
| 00068   | LD          | 3304     |
| 00069   | OUT         | 0012     |
| 00070   | LD          | 3305     |
| 00071   | OUT         | 0013     |
| 00072   | LD          | 3306     |
| 00073   | OUT         | 0014     |
| 00074   | LD          | 3307     |
| 00075   | OUT         | 0015     |
| 00076   | LD          | 3308     |
| 00077   | OUT         | 0007     |

(Continued on next page.)

| Address | Instruction | Operands |
|---------|-------------|----------|
| 00077   | LD          | 0008     |
| 00078   | AND         | 0108     |
| 00079   | MOV(21)     |          |
|         |             | DM 100   |
|         |             | DM 200   |
| 00080   | LD          | 0009     |
| 00081   | AND         | 0109     |
| 00082   | MOV(21)     |          |
|         |             | DM 100   |
|         |             | DM 200   |
| 00083   | LD          | 0010     |
| 00084   | AND         | 0110     |
| 00085   | MOV(21)     |          |
|         |             | DM 100   |
|         |             | DM 200   |
| 00086   | LD          | 0011     |
| 00087   | AND         | 0111     |
| 00088   | MOV(21)     |          |
|         |             | DM 100   |
|         |             | DM 200   |

| Address | Instruction | Operands |
|---------|-------------|----------|
| 00089   | LD          | 0012     |
| 00090   | AND         | 0112     |
| 00091   | MOV(21)     |          |
|         |             | DM 100   |
|         |             | DM 200   |
| 00092   | LD          | 0013     |
| 00093   | AND         | 0113     |
| 00094   | MOV(21)     |          |
|         |             | DM 100   |
|         |             | DM 200   |
| 00095   | LD          | 0014     |
| 00096   | AND         | 0114     |
| 00097   | MOV(21)     |          |
|         |             | DM 100   |
|         |             | DM 200   |
| 00098   | LD          | 0015     |
| 00099   | AND         | 0115     |
| 00100   | MOV(21)     |          |
|         |             | DM 100   |
|         |             | DM 200   |

## 5-3-2 Four-word Operation

The following example is for four-word operation. We will be using the C500 in this example.

### IR Allocations

The following table shows the allocations of the IR words allocated to the Analog Input Module.

During four-word operation, data is transferred between the Module and PLC according to the settings of these control bits and flags.

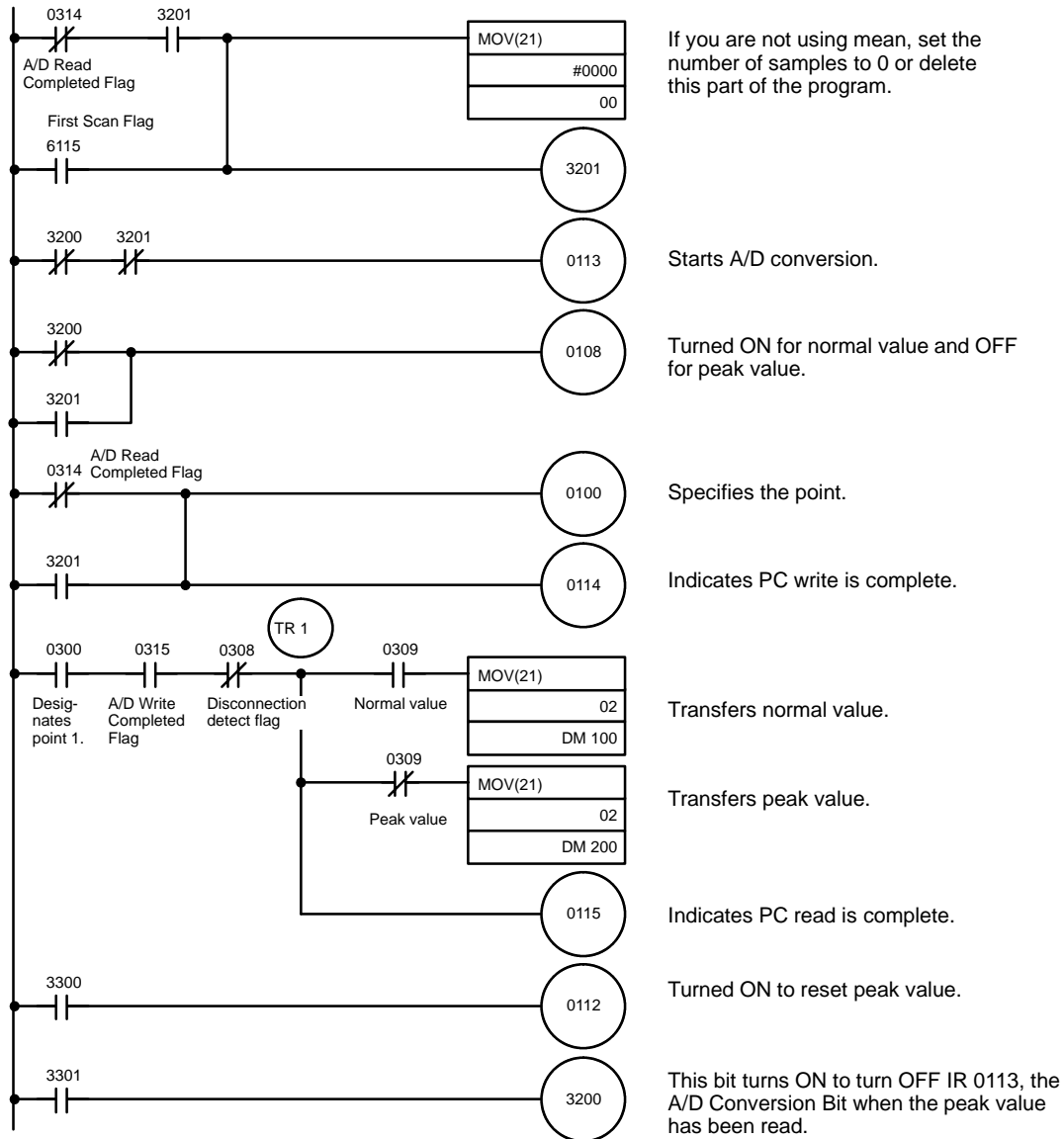
| Bit | Output                |                         | Input                    |                         |
|-----|-----------------------|-------------------------|--------------------------|-------------------------|
|     | IR 00                 | IR 01                   | IR 02                    | IR 03                   |
| 00  | Writing data          | Point 1 Control Bit     | Reading data             | Point 1 Read Flag       |
| 01  |                       | Point 2 Control Bit     |                          | Point 2 Read Flag       |
| 02  |                       | Point 3 Control Bit     |                          | Point 3 Read Flag       |
| 03  |                       | Point 4 Control Bit     |                          | Point 4 Read Flag       |
| 04  |                       | Point 5 Control Bit     |                          | Point 5 Read Flag       |
| 05  |                       | Point 6 Control Bit     |                          | Point 6 Read Flag       |
| 06  |                       | Point 7 Control Bit     |                          | Point 7 Read Flag       |
| 07  |                       | Point 8 Control Bit     |                          | Point 8 Read Flag       |
| 08  |                       | Normal/Peak Control Bit |                          | Disconnection Flag      |
| 09  |                       |                         |                          | Normal/Peak Flag        |
| 10  |                       | Not used.               |                          |                         |
| 11  |                       |                         | Not used.                |                         |
| 12  |                       | Peak Reset Bit          | Not used.                |                         |
| 13  |                       | A/D Conversion Bit      |                          |                         |
| 14  |                       | PC Write Completed Bit  |                          | A/D Read Completed Flag |
| 15  | PC Read Completed Bit |                         | A/D Write Completed Flag |                         |

### DM Area Allocation

The following table shows the bits used to store the various data resulting from the binary-converted analog input values.

| Input point | Mean value<br>(sampling count) |         | Converted data<br>(normal) | Converted data<br>(peak value) |
|-------------|--------------------------------|---------|----------------------------|--------------------------------|
| 1           | DM 000                         | 0 0 0 0 | DM 100                     | DM 200                         |
| 2           | DM 001                         | 0 0 0 0 | DM 101                     | DM 201                         |
| 3           | DM 002                         | 0 0 0 0 | DM 102                     | DM 202                         |
| 4           | DM 003                         | 0 0 0 0 | DM 103                     | DM 203                         |
| 5           | DM 004                         | 0 0 0 5 | DM 104                     | DM 204                         |
| 6           | DM 005                         | 0 0 1 0 | DM 105                     | DM 205                         |
| 7           | DM 006                         | 0 0 2 0 | DM 106                     | DM 206                         |
| 8           | DM 007                         | 0 0 5 0 | DM 107                     | DM 207                         |

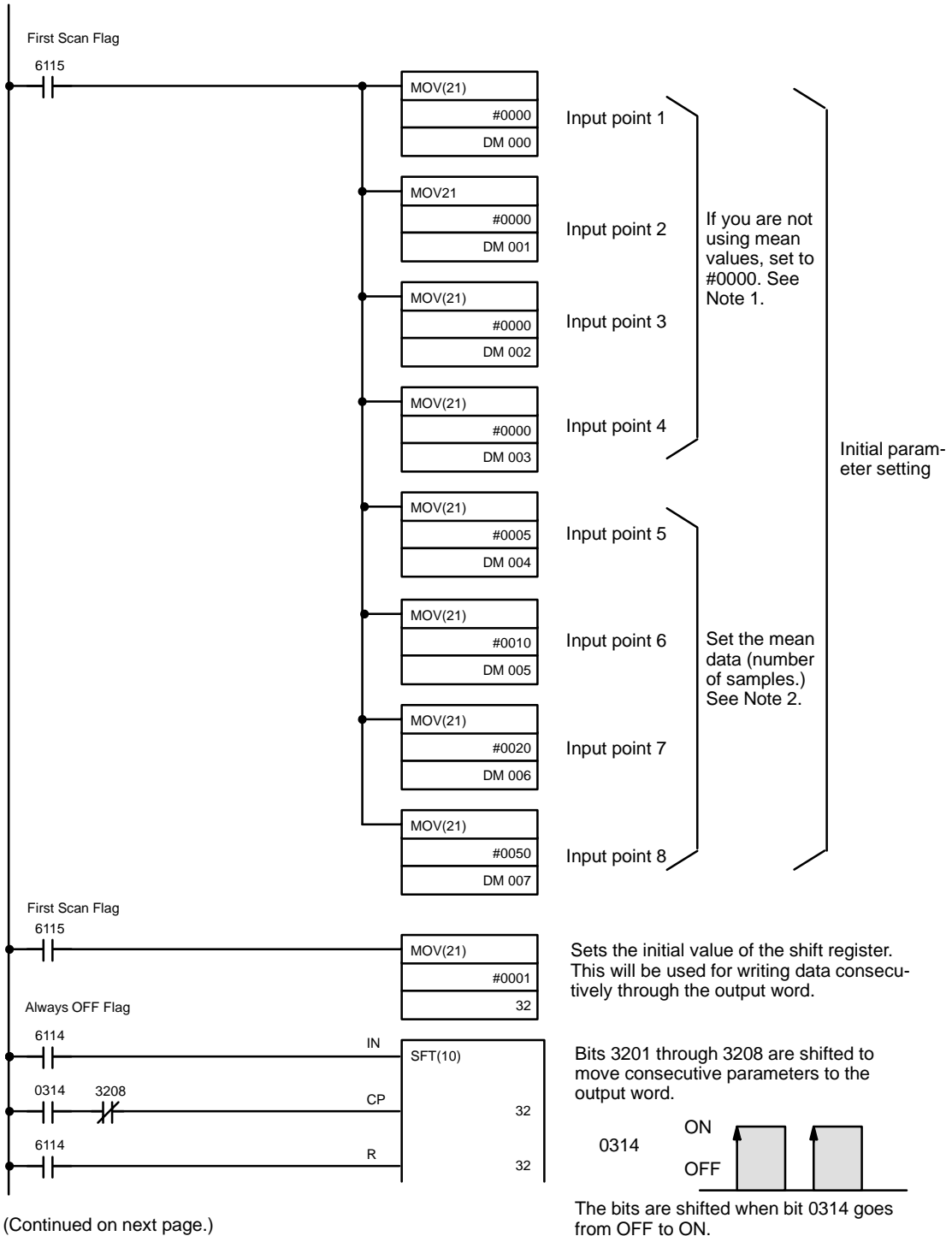
**Program Using Only Point 1** The following program is used when only one of the input points is used.



| Address | Instruction | Operands |
|---------|-------------|----------|
| 00000   | LD NOT      | 0314     |
| 00001   | AND         | 3201     |
| 00002   | OR          | 6115     |
| 00003   | MOV(21)     |          |
|         |             | # 0000   |
|         |             | 00       |
| 00004   | OUT         | 3201     |
| 00005   | LD NOT      | 3200     |
| 00006   | AND NOT     | 3201     |
| 00007   | OUT         | 0113     |
| 00008   | LD NOT      | 3200     |
| 00009   | OR          | 3201     |
| 00010   | OUT         | 0108     |
| 00011   | LD NOT      | 0314     |
| 00012   | OR          | 3201     |
| 00013   | OUT         | 0100     |
| 00014   | OUT         | 0114     |
| 00015   | LD          | 0300     |

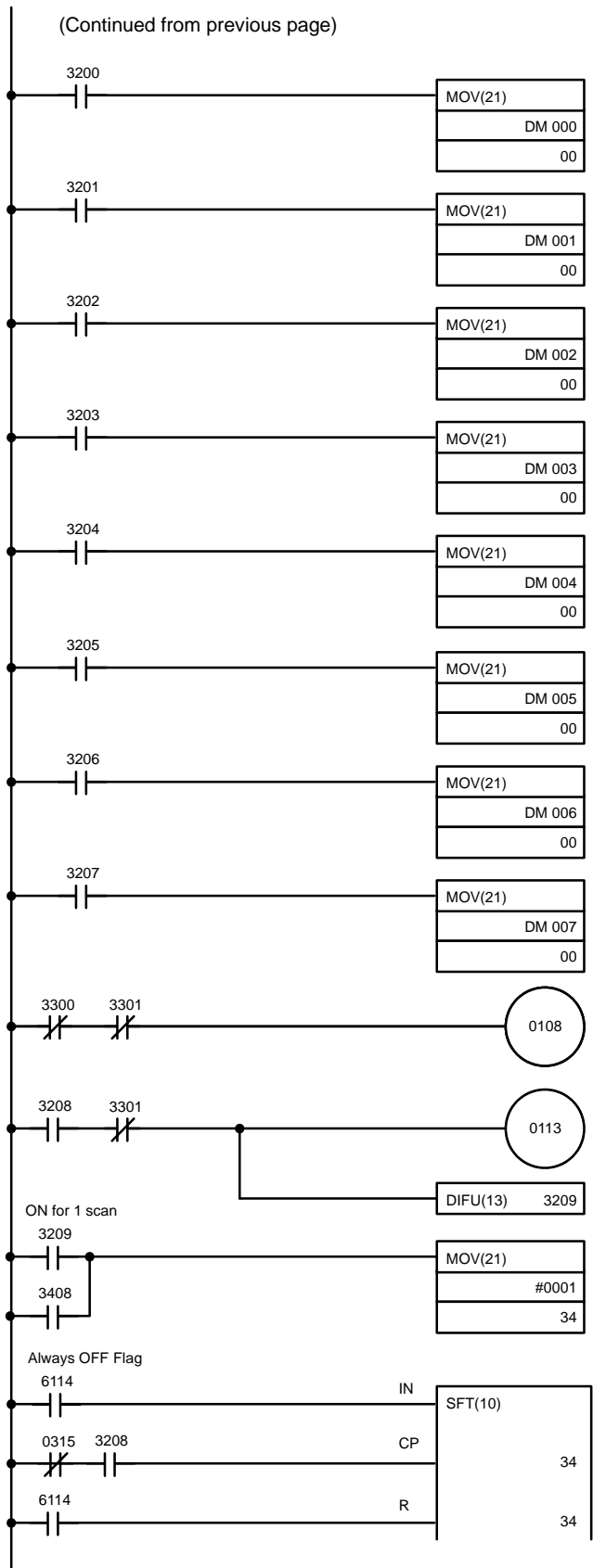
| Address | Instruction | Operands |
|---------|-------------|----------|
| 00016   | AND         | 0315     |
| 00017   | AND NOT     | 0308     |
| 00018   | OUT         | TR 1     |
| 00019   | AND         | 0309     |
| 00020   | MOV(21)     |          |
|         |             | 02       |
|         |             | DM 100   |
| 00021   | LD          | TR 1     |
| 00022   | AND NOT     | 0309     |
| 00023   | MOV(21)     |          |
|         |             | 02       |
|         |             | DM 200   |
| 00024   | OUT         | 0115     |
| 00025   | LD          | 3300     |
| 00026   | OUT         | 0112     |
| 00027   | LD          | 3301     |
| 00028   | OUT         | 3200     |

**Program Using All 8 Points** The following program can be used when all eight input points are being used.



(Continued on next page.)

- Note**
1. When mean is not used, no setting is necessary. The above example includes settings for all points to allow for easy modification.
  2. Mean processing starts after the points are specified, It takes 10 ms x (number of samples) for the data to be output.



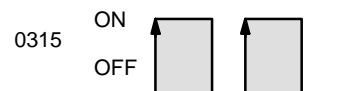
Bit 3209 turns OFF after 8 parameters are written sequentially output to the Module..

Turns ON for normal values and OFF for peak values.

A/D conversion starts. Bit 3208 turns ON after data writing is complete.

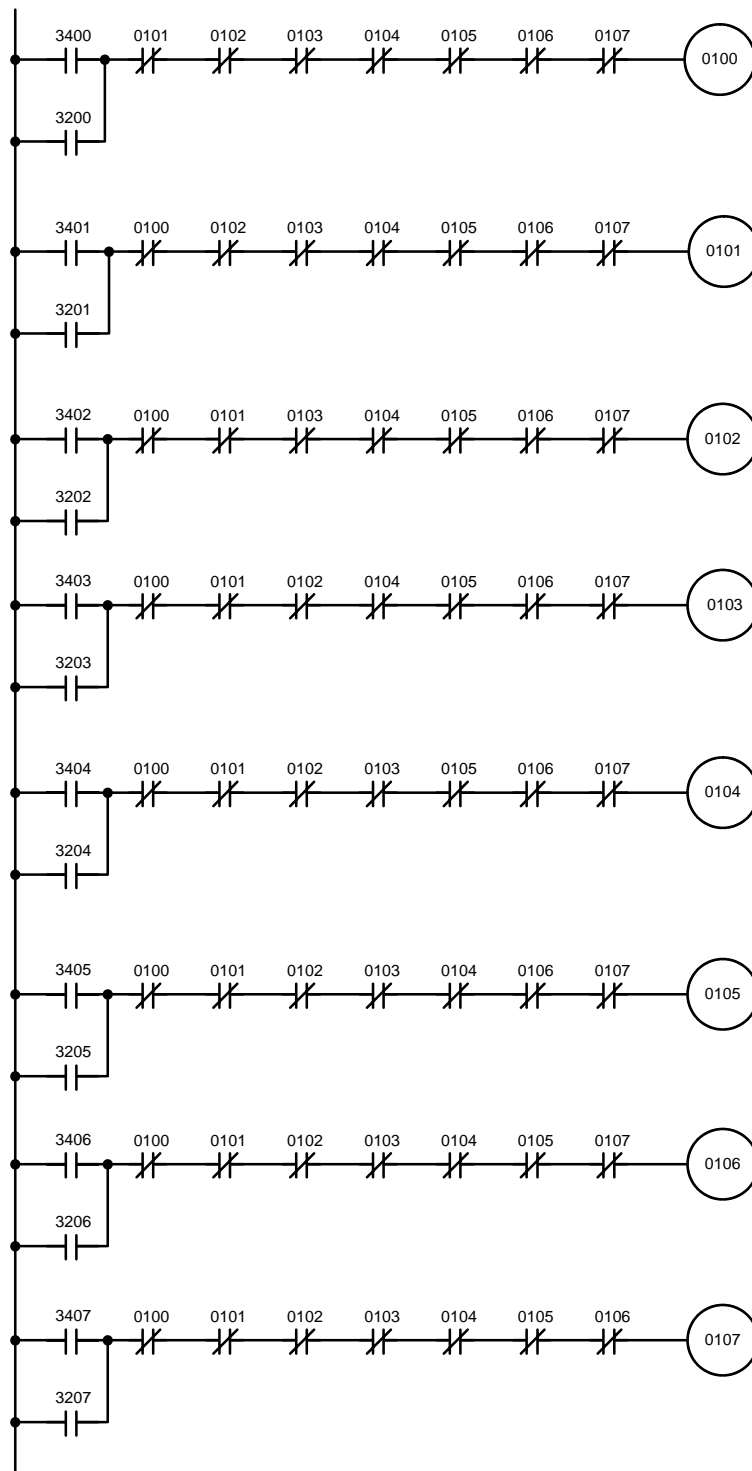
Sets the initial value of the shift register. This will be used for reading data.

The specified bits are shifted sequentially. Bit 0315 is the A/D Write Completed Flag.



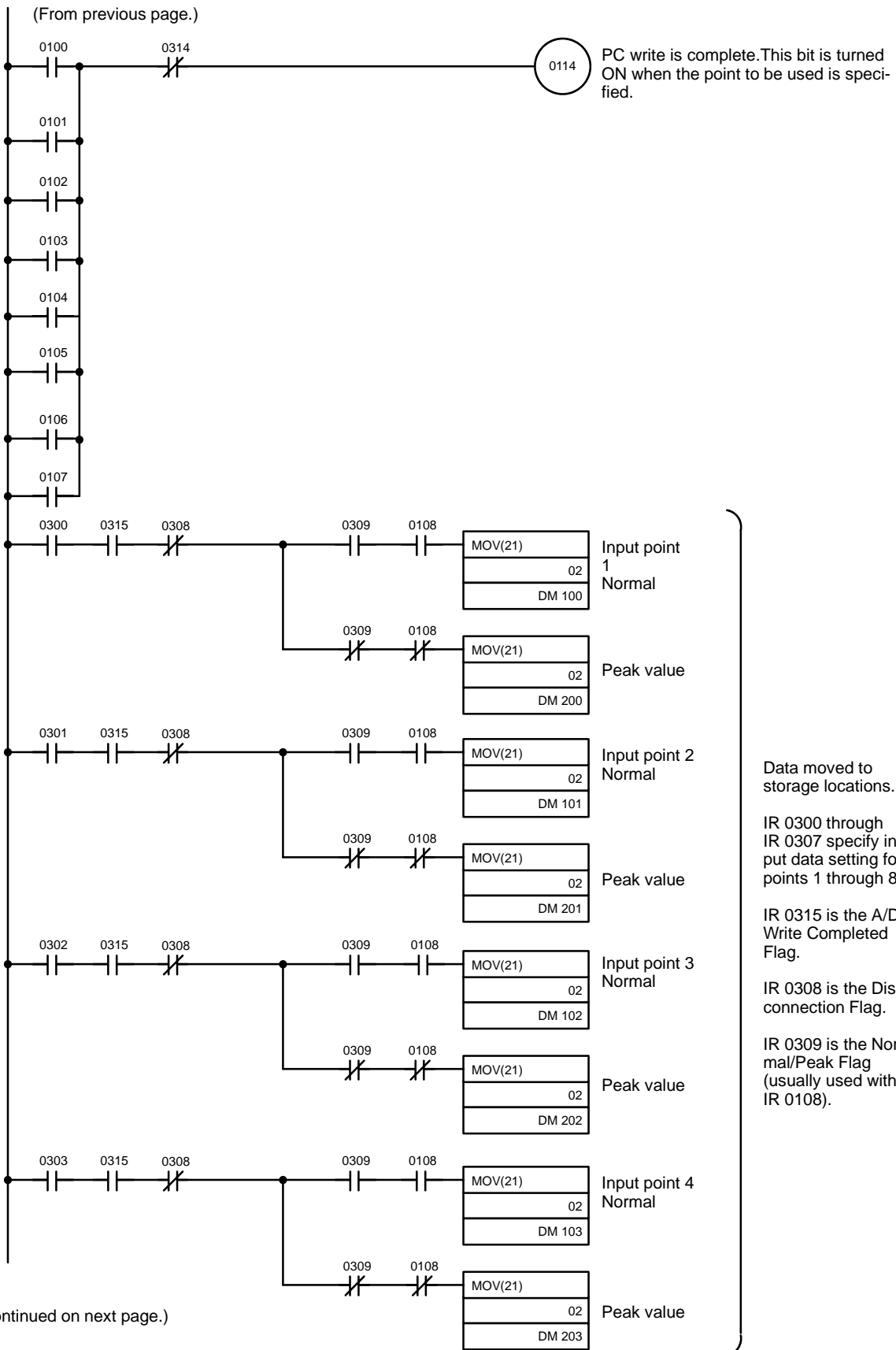
The bits are shifted when bit 0315 goes from OFF to ON.

(Continued on next page.)



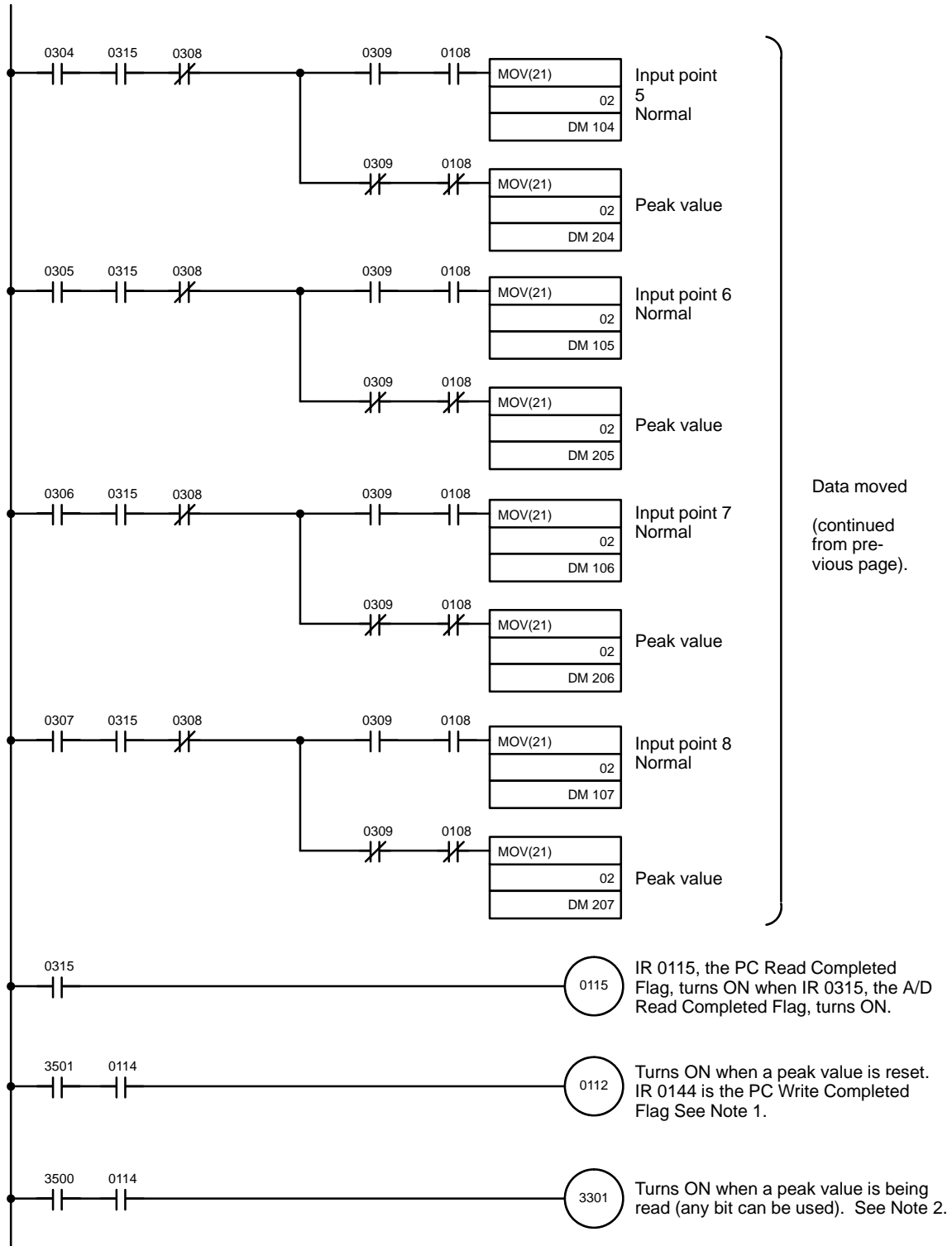
Specify the points to be read. These are set up so that only one of the operand of these OUT's is ON at the same time.

(Continued on next page)





(From previous page.)



- Note**
1. The peak value is reset when the Peak Reset Flag turns OFF.
  2. The peak value is held while the Peak Flag is ON. IR 0114 initiates the reading of new peak values while IR 3501 is ON.

| Address | Instruction | Operands |
|---------|-------------|----------|
| 00000   | LD          | 6115     |
| 00001   | MOV(21)     |          |
|         |             | # 0000   |
|         |             | DM 000   |
| 00002   | MOV(21)     |          |
|         |             | # 0000   |
|         |             | DM 001   |
| 00003   | MOV(21)     |          |
|         |             | # 0000   |
|         |             | DM 002   |
| 00004   | MOV(21)     |          |
|         |             | # 0000   |
|         |             | DM 0003  |
| 00005   | MOV(21)     |          |
|         |             | # 0005   |
|         |             | DM 004   |
| 00006   | MOV(21)     |          |
|         |             | # 0010   |
|         |             | DM 005   |
| 00007   | MOV(21)     |          |
|         |             | # 0020   |
|         |             | DM 006   |
| 00008   | MOV(21)     |          |
|         |             | # 0050   |
|         |             | DM 007   |
| 00009   | LD          | 6115     |
| 00010   | MOV(21)     |          |
|         |             | # 0001   |
|         |             | 32       |
| 00011   | LD          | 6114     |
| 00012   | LD          | 0314     |
| 00013   | AND NOT     | 3208     |
| 00014   | LD          | 6114     |
| 00015   | SFT(10)     |          |
|         |             | 32       |
|         |             | 32       |
| 00016   | LD          | 3200     |
| 00017   | MOV(21)     |          |
|         |             | DM 000   |
|         |             | 00       |
| 00018   | LD          | 3201     |
| 00019   | MOV(21)     |          |
|         |             | DM 001   |
|         |             | 00       |
| 00020   | LD          | 3202     |
| 00021   | MOV(21)     |          |
|         |             | DM 002   |
|         |             | 00       |
| 00022   | LD          | 3203     |
| 00023   | MOV(21)     |          |
|         |             | DM 003   |
|         |             | 00       |
| 00024   | LD          | 3204     |
| 00025   | MOV(21)     |          |
|         |             | DM 004   |
|         |             | 00       |

| Address | Instruction | Operands |
|---------|-------------|----------|
| 00026   | LD          | 3205     |
| 00027   | MOV(21)     |          |
|         |             | DM 005   |
|         |             | 00       |
| 00028   | LD          | 3206     |
| 00029   | MOV(21)     |          |
|         |             | DM 006   |
|         |             | 00       |
| 00030   | LD          | 3207     |
| 00031   | MOV(21)     |          |
|         |             | DM 007   |
|         |             | 00       |
| 00032   | LD NOT      | 3300     |
| 00033   | AND NOT     | 3301     |
| 00034   | OUT         | 0108     |
| 00035   | LD          | 3208     |
| 00036   | AND NOT     | 3301     |
| 00037   | OUT         | 0113     |
| 00038   | DIFU(13)    | 3209     |
| 00039   | LD          | 3209     |
| 00040   | OR          | 3408     |
| 00041   | MOV(21)     |          |
|         |             | # 0001   |
|         |             | 34       |
| 00042   | LD          | 6114     |
| 00043   | LD NOT      | 0315     |
| 00044   | AND         | 3208     |
| 00045   | LD          | 6114     |
| 00046   | SFT(10)     |          |
|         |             | 34       |
|         |             | 34       |
| 00047   | LD          | 3400     |
| 00048   | OR          | 3200     |
| 00049   | AND NOT     | 0101     |
| 00050   | AND NOT     | 0102     |
| 00051   | AND NOT     | 0103     |
| 00052   | AND NOT     | 0104     |
| 00053   | AND NOT     | 0105     |
| 00054   | AND NOT     | 0106     |
| 00055   | AND NOT     | 0107     |
| 00056   | OUT         | 0100     |
| 00057   | LD          | 3401     |
| 00058   | OR          | 3201     |
| 00059   | AND NOT     | 0100     |
| 00060   | AND NOT     | 0102     |
| 00061   | AND NOT     | 0103     |
| 00062   | AND NOT     | 0104     |
| 00063   | AND NOT     | 0105     |
| 00064   | AND NOT     | 0106     |
| 00065   | AND NOT     | 0107     |
| 00066   | OUT         | 0101     |
| 00067   | LD          | 3402     |
| 00068   | OR          | 3202     |
| 00069   | AND NOT     | 0100     |
| 00070   | AND NOT     | 0101     |
| 00071   | AND NOT     | 0103     |

(Continued on next page.)

| Address | Instruction | Operands |
|---------|-------------|----------|
| 00072   | AND NOT     | 0104     |
| 00073   | AND NOT     | 0105     |
| 00074   | AND NOT     | 0106     |
| 00075   | AND NOT     | 0107     |
| 00076   | OUT         | 0102     |
| 00077   | LD          | 3403     |
| 00078   | OR          | 3203     |
| 00079   | AND NOT     | 0100     |
| 00080   | AND NOT     | 0101     |
| 00081   | AND NOT     | 0102     |
| 00082   | AND NOT     | 0104     |
| 00083   | AND NOT     | 0105     |
| 00084   | AND NOT     | 0106     |
| 00085   | AND NOT     | 0107     |
| 00086   | OUT         | 0103     |
| 00087   | LD          | 3404     |
| 00088   | OR          | 3204     |
| 00089   | AND NOT     | 0100     |
| 00090   | AND NOT     | 0101     |
| 00091   | AND NOT     | 0102     |
| 00092   | AND NOT     | 0103     |
| 00093   | AND NOT     | 0105     |
| 00094   | AND NOT     | 0106     |
| 00095   | AND NOT     | 0107     |
| 00096   | OUT         | 0104     |
| 00097   | LD          | 3405     |
| 00098   | OR          | 3205     |
| 00099   | AND NOT     | 0100     |
| 00100   | AND NOT     | 0101     |
| 00101   | AND NOT     | 0102     |
| 00102   | AND NOT     | 0103     |
| 00103   | AND NOT     | 0104     |
| 00104   | AND NOT     | 0106     |
| 00105   | AND NOT     | 0107     |
| 00106   | OUT         | 0105     |
| 00107   | LD          | 3406     |
| 00108   | OR          | 3206     |
| 00109   | AND NOT     | 0100     |
| 00110   | AND NOT     | 0101     |
| 00111   | AND NOT     | 0102     |
| 00112   | AND NOT     | 0103     |
| 00113   | AND NOT     | 0104     |
| 00114   | AND NOT     | 0105     |
| 00115   | AND NOT     | 0107     |
| 00116   | OUT         | 0106     |
| 00117   | LD          | 3407     |
| 00118   | OR          | 3207     |
| 00119   | AND NOT     | 0100     |
| 00120   | AND NOT     | 0101     |
| 00121   | AND NOT     | 0102     |
| 00122   | AND NOT     | 0103     |
| 00123   | AND NOT     | 0104     |
| 00124   | AND NOT     | 0105     |
| 00125   | AND NOT     | 0106     |
| 00126   | LD          | 0100     |
| 00127   | OR          | 0101     |

| Address | Instruction | Operands |
|---------|-------------|----------|
| 00128   | OR          | 0102     |
| 00129   | OR          | 0103     |
| 00130   | OR          | 0104     |
| 00131   | OR          | 0105     |
| 00132   | OR          | 0106     |
| 00133   | OR          | 0107     |
| 00134   | AND NOT     | 0314     |
| 00135   | OUT         | 0114     |
| 00136   | LD          | 0300     |
| 00137   | AND         | 0315     |
| 00138   | AND NOT     | 0308     |
| 00139   | OUT         | TR 1     |
| 00140   | AND         | 0309     |
| 00141   | AND         | 0108     |
| 00142   | MOV(21)     |          |
|         |             | 02       |
|         |             | DM 100   |
| 00143   | LD          | TR 1     |
| 00144   | AND NOT     | 0309     |
| 00145   | AND NOT     | 0108     |
| 00146   | MOV(21)     |          |
|         |             | 02       |
|         |             | DM 200   |
| 00148   | LD          | 0301     |
| 00149   | AND         | 0315     |
| 00150   | AND NOT     | 0308     |
| 00151   | OUT         | TR 1     |
| 00152   | AND         | 0309     |
| 00153   | AND         | 0108     |
| 00154   | MOV(21)     |          |
|         |             | 02       |
|         |             | DM 101   |
| 00155   | LD          | TR 1     |
| 00156   | AND NOT     | 0309     |
| 00157   | AND NOT     | 0108     |
| 00158   | MOV(21)     |          |
|         |             | 02       |
|         |             | DM 201   |
| 00159   | LD          | 0302     |
| 00160   | AND         | 0315     |
| 00161   | AND NOT     | 0308     |
| 00162   | OUT         | TR 1     |
| 00163   | AND         | 0309     |
| 00164   | AND         | 0108     |
| 00165   | MOV(21)     |          |
|         |             | 02       |
|         |             | DM 102   |
| 00166   | LD          | TR 1     |
| 00167   | AND NOT     | 0309     |
| 00168   | AND NOT     | 0108     |
| 00169   | MOV(21)     |          |
|         |             | 02       |
|         |             | DM 202   |
| 00170   | LD          | 0303     |
| 00171   | AND         | 0315     |

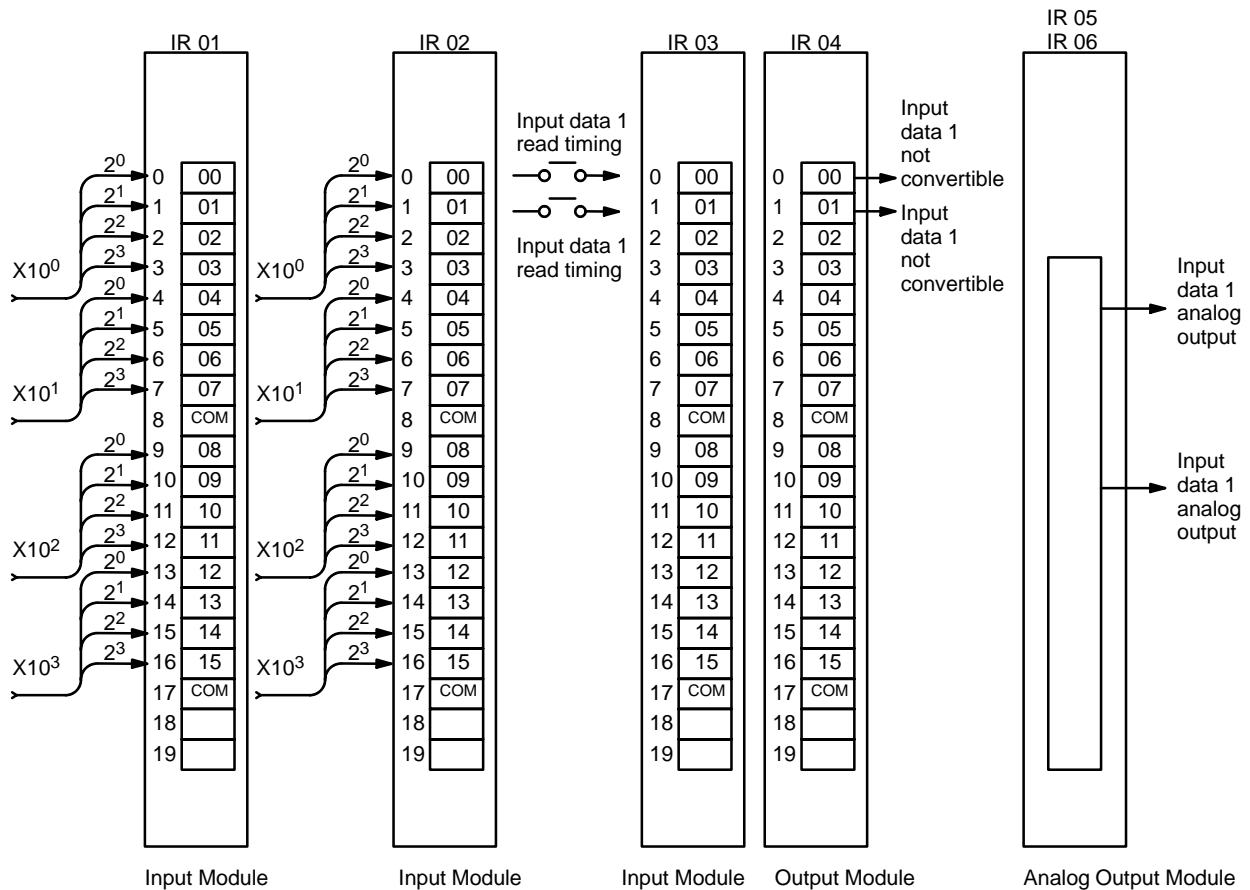
(Continued on next page.)

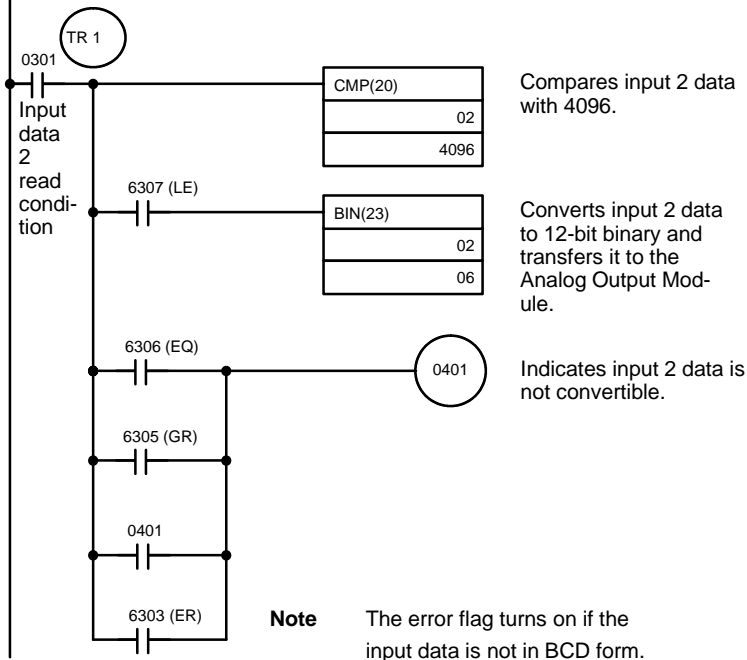
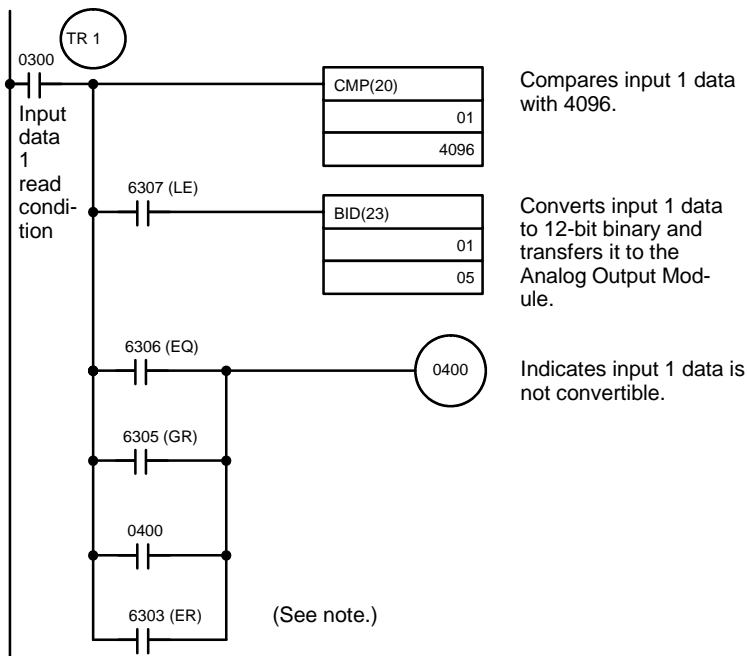
| Address | Instruction | Operands |
|---------|-------------|----------|
| 00172   | AND NOT     | 0308     |
| 00173   | OUT         | TR 1     |
| 00174   | AND         | 0309     |
| 00175   | AND         | 0108     |
| 00176   | MOV(21)     |          |
|         |             | 02       |
|         |             | DM 103   |
| 00177   | LD          | TR 1     |
| 00178   | AND NOT     | 0309     |
| 00179   | AND NOT     | 0108     |
| 00180   | MOV(21)     |          |
|         |             | 02       |
|         |             | DM 203   |
| 00181   | LD          | 0304     |
| 00182   | AND         | 0315     |
| 00183   | AND NOT     | 0308     |
| 00184   | OUT         | TR 1     |
| 00185   | AND         | 0309     |
| 00186   | AND         | 0108     |
| 00187   | MOV(21)     |          |
|         |             | 02       |
|         |             | DM 104   |
| 00188   | LD          | TR 1     |
| 00189   | AND NOT     | 0309     |
| 00190   | AND NOT     | 0108     |
| 00191   | MOV(21)     |          |
|         |             | 02       |
|         |             | DM 204   |
| 00192   | LD          | 0305     |
| 00193   | AND         | 0315     |
| 00194   | AND NOT     | 0308     |
| 00195   | OUT         | TR 1     |
| 00196   | AND         | 0309     |
| 00197   | AND         | 0108     |
| 00198   | MOV(21)     |          |
|         |             | 02       |
|         |             | DM 105   |
| 00199   | LD          | TR 1     |
| 00200   | AND NOT     | 0309     |
| 00201   | AND NOT     | 0108     |
| 00202   | MOV(21)     |          |

| Address | Instruction | Operands |
|---------|-------------|----------|
|         |             | 02       |
|         |             | DM 205   |
| 00203   | LD          | 0306     |
| 00204   | AND         | 0315     |
| 00205   | AND NOT     | 0308     |
| 00206   | OUT         | TR 1     |
| 00207   | AND         | 0309     |
| 00208   | AND         | 0108     |
| 00209   | MOV(21)     |          |
|         |             | 02       |
|         |             | DM 106   |
| 00210   | LD          | TR 1     |
| 00211   | AND NOT     | 0309     |
| 00212   | AND NOT     | 0108     |
| 00213   | MOV(21)     |          |
|         |             | 02       |
|         |             | DM 206   |
| 00214   | LD          | 0307     |
| 00215   | AND         | 0315     |
| 00216   | AND NOT     | 0308     |
| 00217   | OUT         | TR 1     |
| 00218   | AND         | 0309     |
| 00219   | AND         | 0108     |
| 00220   | MOV(21)     |          |
|         |             | 02       |
|         |             | DM 107   |
| 00221   | LD          | TR 1     |
| 00222   | AND NOT     | 0309     |
| 00223   | AND NOT     | 0108     |
| 00224   | MOV(21)     |          |
|         |             | 02       |
|         |             | DM 207   |
| 00225   | LD          | 0315     |
| 00226   | OUT         | 0115     |
| 00227   | LD          | 3501     |
| 00228   | AND         | 0114     |
| 00229   | OUT         | 0112     |
| 00230   | LD          | 3500     |
| 00231   | AND         | 0114     |
| 00232   | OUT         | 3301     |

## 5-4 DA001 through DA005 Analog Output Modules

All that is necessary in programming these Modules is to move a binary value (up to 4095) to the word allocated to the desired output point. The following example converts BCD input from outside the PLC to binary and places the results in the proper output words for unipolar outputs. The words allocated to each Module are shown above the Module. The program, written for a C500, is shown on the following page.





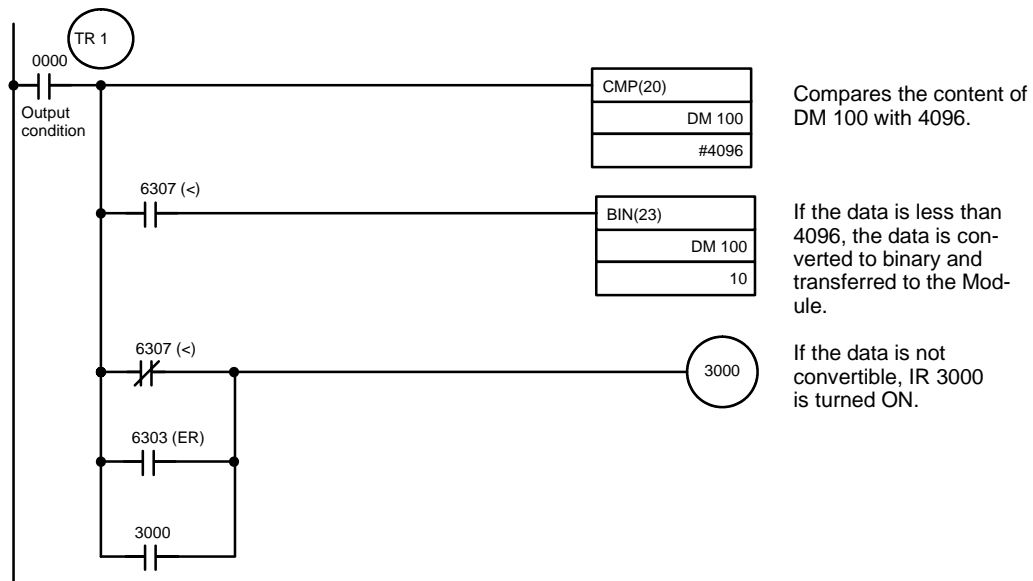
| Address | Instruction | Operands |
|---------|-------------|----------|
| 00000   | LD          | 0300     |
| 00001   | OUT         | TR 1     |
| 00002   | CMP(20)     |          |
|         |             | 01       |
|         |             | 4096     |
| 00003   | AND         | 6307     |
| 00004   | BIN(23)     |          |
|         |             | 01       |
|         |             | 05       |
| 00005   | LD          | TR 1     |
| 00006   | AND         | 6306     |
| 00007   | OR          | 6305     |
| 00008   | OR          | 0400     |
| 00009   | OR          | 6303     |
| 00010   | OUT         | 0400     |
| 00011   | LD          | 0301     |
| 00012   | OUT         | TR 1     |
| 00013   | CMP(20)     |          |
|         |             | 02       |
|         |             | 4096     |
| 00014   | AND         | 6307     |
| 00015   | BIN(23)     |          |
|         |             | 02       |
|         |             | 06       |
| 00016   | LD          | TR 1     |
| 00017   | AND         | 6306     |
| 00018   | OR          | 6305     |
| 00019   | OR          | 0401     |
| 00020   | OR          | 6303     |
| 00021   | OUT         | 0401     |

## 5-5 DA101 Analog Output Modules

All that is necessary in programming this Modules is to move a binary value (up to 4095) to the word allocated to the desired output point.

The following program, written for the C500, transfer data between the PLC and Analog Output Module. The conversion data is stored in DM 100. The Module will uses IR 10 through IR 13. Only the programming for point 1 (IR 10) is shown. The programming for the rest of the points follows the same logic.

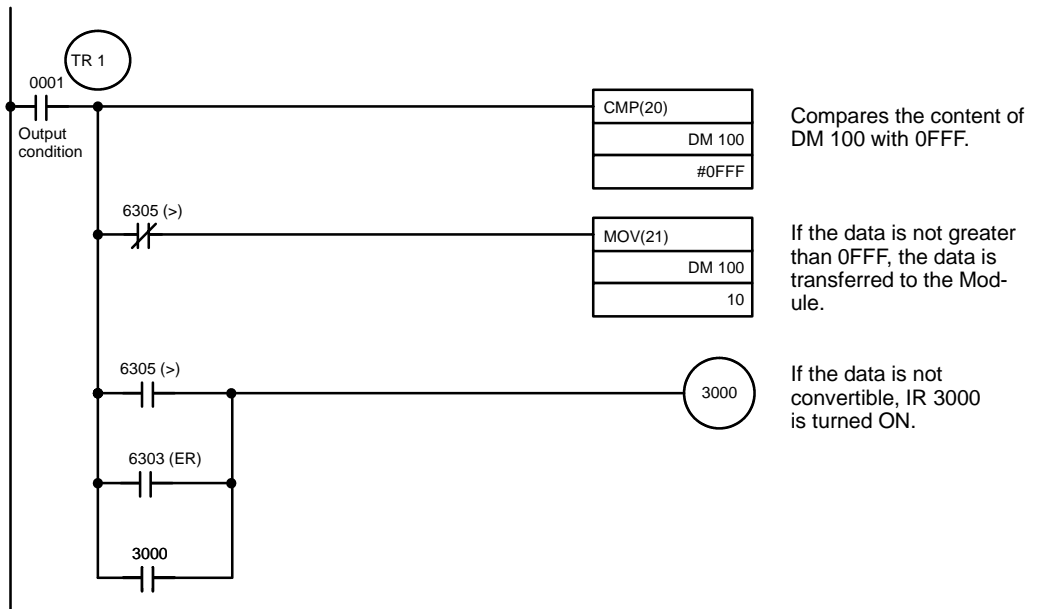
### Program for BCD Data



| Address | Instruction | Operands         |
|---------|-------------|------------------|
| 00000   | LD          | 0000             |
| 00001   | OUT         | TR 1             |
| 00002   | CMP(20)     | DM 100<br># 4096 |
| 00003   | AND         | 6307             |

| Address | Instruction | Operands     |
|---------|-------------|--------------|
| 00004   | BIN(23)     | DM 100<br>10 |
| 00005   | LD          | TR 1         |
| 00006   | AND NOT     | 6307         |
| 00007   | OR          | 6303         |
| 00008   | OR          | 3000         |
| 00009   | OUT         | 3000         |

Program for Binary Data



| Address | Instruction | Operands         |
|---------|-------------|------------------|
| 00000   | LD          | 0001             |
| 00001   | OUT         | TR 1             |
| 00002   | CMP(20)     | DM 100<br># 0FFF |
| 00003   | AND NOT     | 6305             |

| Address | Instruction | Operands     |
|---------|-------------|--------------|
| 00004   | MOV(21)     | DM 100<br>10 |
| 00005   | LD          | TR 1         |
| 00006   | AND         | 6305         |
| 00007   | OR          | 6303         |
| 00008   | OR          | 3000         |
| 00009   | OUT         | 3000         |



# Appendix A

## Standard Models

### Analog Input Modules

| PLC    | Specifications                     | Model       |
|--------|------------------------------------|-------------|
| C120   | 1 to 5 V, 4 to 20 mA               | 3G2A6-AD006 |
|        | 0 to 10 V                          | 3G2A6-AD007 |
| C500   | 0 to 10 V, 0 to 20 mA (adjustable) | C500-AD101  |
| C1000H | 1 to 5 V, 4 to 20 mA               | 3G2A5-AD001 |
| C2000H | 0 to 10 V                          | 3G2A5-AD002 |
|        | 0 to 5 V                           | 3G2A5-AD003 |
|        | -10 to 10 V                        | 3G2A5-AD004 |
|        | -5 to 5 V                          | 3G2A5-AD005 |
|        | 1 to 5 V, 4 to 20 mA               | 3G2A5-AD006 |
|        | 0 to 10 V                          | 3G2A5-AD007 |

### Analog Output Modules

| PLC    | Specifications                  | Model       |
|--------|---------------------------------|-------------|
| C120   | 1 to 5 V, 4 to 20 mA            | 3G2A6-DA001 |
|        | 0 to 10 V                       | 3G2A6-DA002 |
|        | 0 to 5 V                        | 3G2A6-DA003 |
|        | -10 to 10 V                     | 3G2A6-DA004 |
|        | -5 to 5 V                       | 3G2A6-DA005 |
| C500   | 0 to 10 V, 1 to 5 V, 4 to 20 mA | C500-DA101  |
| C1000H | 1 to 5 V, 4 to 20 mA            | 3G2A5-DA001 |
| C2000H | 0 to 10 V                       | 3G2A5-DA002 |
|        | 0 to 5 V                        | 3G2A5-DA003 |
|        | -10 to 10 V                     | 3G2A5-DA004 |
|        | -5 to 5 V                       | 3G2A5-DA005 |

### Expansion I/O Racks

(For connecting Analog I/O Modules to the C120)

| Power supply | Model       |
|--------------|-------------|
| 100 VAC      | 3G2C4-SI025 |
| 200 VAC      | 3G2C4-SI026 |



# Appendix B Specifications

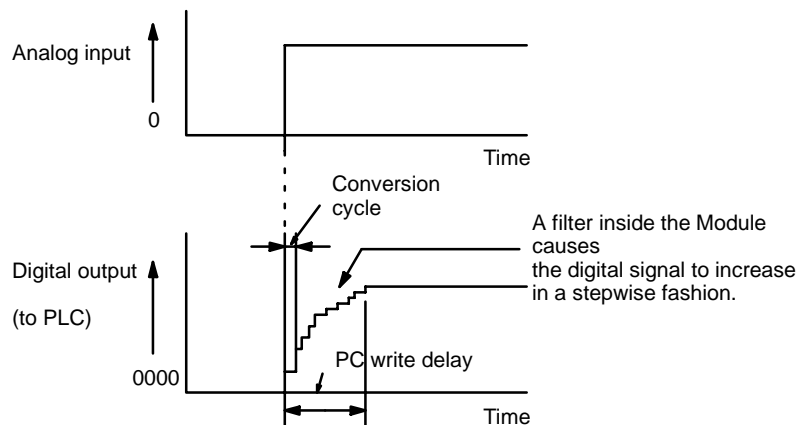
## AD001 through AD005 Analog Input Modules

All general specifications of the AD001 through AD005 conform to those of the C Series except the following:

- Insulation resistance between the external terminals and the frame: 5 MΩ min. (at 250 VDC)
- Dielectric strength between the external terminals and the frame: 500 VAC, 50/60 Hz for 1 minute

|   |  |                     |
|---|--|---------------------|
| <b>Number of analog inputs</b>            | 2  |                     |
| <b>Input signal range</b> (See Note 1.)   | Voltage inputs   | 1 to 5 V (AD001)    |
|   |  | 0 to 10 V (AD002)   |
|   |  | 0 to 5 V (AD003)    |
|   |  | -10 to 10 V (AD004) |
|   |  | -5 to 5 V (AD005)   |
|   | Current inputs   | 4 to 20 mA (AD001)  |
| <b>Input impedance</b>                    | Voltage input: 1 MΩ min.   |                     |
|   | Current input: 250 Ω   |                     |
| <b>Resolution</b>                         | 1/4095 (full scale)  |                     |
| <b>PLC signal</b>                         | 12-bit binary (for bipolar outputs, 11-bit binary + 1 sign bit.) |                     |
| <b>Linearity error</b>                    | ±0.1% max.   |                     |
| <b>Accuracy</b>                           | ±0.2% max. (full scale at 25°C)                                  |                     |
| <b>Accuracy temperature coefficient</b>   | ±100 PPM/°C (full scale)   |                     |
| <b>Conversion time</b>                    | 2.5 ms max./port   |                     |
| <b>Conversion cycle</b>                   | 5 ms max.  |                     |
| <b>Max. PLC write delay</b> (See Note 2.) | 1 s  |                     |
| <b>Conversion method</b>                  | Sequential comparison  |                     |
| <b>Max. input signal</b>                  | Voltage input: ±15 V   |                     |
|   | Current input: ±60 mA  |                     |
| <b>External connections</b>               | Terminal block (not removable)                                   |                     |
| <b>Power consumption</b>                  | 500 mA max. at 5 VDC   |                     |
| <b>Weight</b>                             | 600 g max.   |                     |

**Note** The PC write delay is the time required for a change in the input signal to be converted and transferred to the PLC bus.



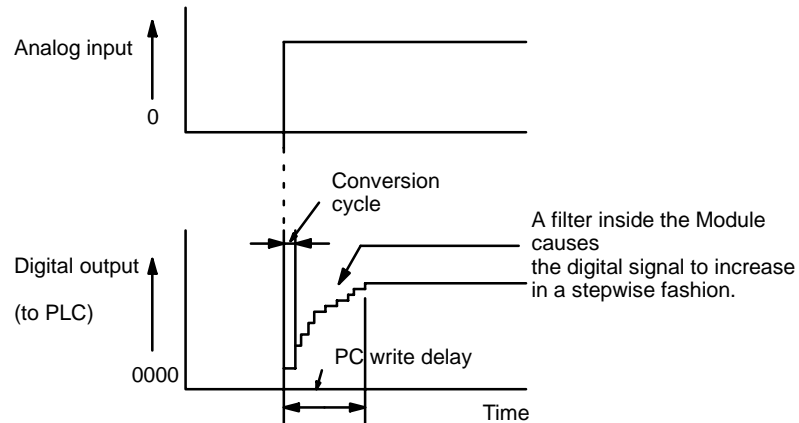
## AD006 and AD007 Analog Input Modules

All general specifications of the AD006 and AD007 Analog Input Modules conform to those of the C Series except the following:

- Insulation resistance between the external terminals and the frame: 5 MΩ min. (at 250 VDC)
- Dielectric strength between the external terminals and the frame: 500 VAC, 50/60 Hz for 1 minute

|  |                                 |                                       |
|--|---------------------------------|---------------------------------------|
| <b>Number of analog inputs</b>           | 4                               |                                       |
| <b>Input signal range</b> (See Note 1.)  | Voltage inputs                  | 0 to 10 V (AD007)<br>1 to 5 V (AD006) |
|  | Current inputs                  | 4 to 20 mA (AD006)                    |
| <b>Input impedance</b>                   | Voltage input::                 | 1 MW min.                             |
|  | Current input:                  | 250 W                                 |
| <b>Resolution</b>                        | 1/1023 (full scale)             |                                       |
| <b>PLC signal</b>                        | 10-bit binary                   |                                       |
| <b>Linearity error</b>                   | ±0.2% max.                      |                                       |
| <b>Accuracy</b>                          | ±0.2% max. (full scale at 25°C) |                                       |
| <b>Accuracy temperature coefficient</b>  | ±150 PPM/°C (full scale)        |                                       |
| <b>Conversion time</b>                   | 2.5 ms max./port                |                                       |
| <b>Conversion cycle</b>                  | 10 ms max.                      |                                       |
| <b>Max. PC write delay</b> (See Note 2.) | 1 s                             |                                       |
| <b>Conversion method</b>                 | Sequential comparison           |                                       |
| <b>Max. input signal</b>                 | Voltage input:                  | ±15 V                                 |
|  | Current input:                  | ±60 mA                                |
| <b>External connections</b>              | Terminal block (not removable)  |                                       |
| <b>Power consumption</b>                 | 750 mA max. at 5 VDC            |                                       |
| <b>Weight</b>                            | 650 g max.                      |                                       |

**Note** The PC write delay is the time required for a change in the input signal to be converted and transferred to the PLC bus.



## AD101 Analog Input Module

All general specifications of the AD101 Analog Input Module conform to those of the C Series.

|                                      |   |   |
|--------------------------------------|---|---|
| <b>Number of analog inputs</b>       | 8   |   |
| <b>Input signal range</b>            | Voltage inputs: 0 to 10 VDC (adjustable)<br>Current inputs: 0 to 20 mA (adjustable) |   |
| <b>Resolution</b> (See Note 1.)      | 1/4096 max.   |   |
| <b>Accuracy</b>                      | 25°C  | ±0.5% (full scale, including linearity error) |
|                                      | 0 to 55°C   | ±1.0% (full scale, including linearity error) |
| <b>Conversion time</b> (See Note 2.) | 10 ms max./port   |   |
| <b>Input impedance</b>               | Voltage input   | 1 MW min.                                     |
|                                      | Current input   | 250 W   |
| <b>Max. input signal</b>             | Voltage   | ±15 V   |
|                                      | Current   | ±30 mA  |
| <b>PLC signal</b>                    | 12-bit binary   |   |
| <b>Number of words</b>               | 32 or 64 (selectable)   |   |
| <b>External connections</b>          | 30-pin terminal block (not removable)   |   |
| <b>Isolation</b>                     | Between input terminals and PLC: photocoupler                                       |   |
|                                      | Between input terminals and Module: none  |   |
| <b>Power consumption</b>             | 880 mA max. at 5 VDC  |   |
| <b>Dimensions</b>                    | 34.5 (W) x 250 (H) x 120 (D) mm   |   |
| <b>Weight</b>                        | 700 g max.  |   |

- Note**
1. This is the resolution when the difference between offset and gain is at least 4 V (16 mA). The resolution is less for smaller ranges (e.g., if the difference is 2 V, the resolution is 1/2048).
  2. This is the conversion time when the signal changes from one end of the range to the other. The smaller the signal change, the shorter the conversion time.

## DA001 through DA005 Analog Output Modules

All general specifications of the DA001 through AD005 Analog Output Modules conform to those of the C Series except the following:

- Insulation resistance between the external terminals and the frame: 5 M $\Omega$  min. (at 250 VDC)
- Dielectric strength between the external terminals and the frame: 500 VAC, 50/60 Hz for 1 minute

|   |  |                     |
|---|--|---------------------|
| <b>Number of analog outputs</b>         | 2  |                     |
| <b>Output signal range</b>              | Voltage outputs  | 1 to 5 V (DA001)    |
|   |  | 0 to 10 V (DA002)   |
|   |  | 0 to 5 V (DA003)    |
|   |  | -10 to 10 V (DA004) |
|   |  | -5 to 5 V (DA005)   |
|   | Current outputs  | 4 to 20 mA (DA001)  |
| <b>Max. output impedance</b>            | Voltage output: 0.5 W  |                     |
| <b>Max. output current</b>              | Voltage output: 15 mA  |                     |
| <b>Max. load resistance</b>             | Current output: 550 W  |                     |
| <b>Resolution</b>                       | 1/4095 (full scale)  |                     |
| <b>PLC signal</b>                       | 12-bit binary (for bipolar outputs, 11-bit binary + 1 sign bit.) |                     |
| <b>Linearity error</b>                  | $\pm 1/2$ LSB max. (at 25°C)                                     |                     |
| <b>Accuracy</b>                         | $\pm 0.2\%$ max. (full scale, at 25°C)                           |                     |
| <b>Accuracy temperature coefficient</b> | $\pm 50$ PPM/°C  |                     |
| <b>Conversion time</b>                  | 5 ms max.  |                     |
| <b>Conversion cycle</b>                 | PLC program scan time  |                     |
| <b>External connections</b>             | Terminal block (not removable)                                   |                     |
| <b>Power consumption</b>                | 550 mA max. at 5 VDC   |                     |
| <b>Weight</b>                           | 600 g max.   |                     |

## DA101 Analog Output Module

All general specifications of the DA101 Analog Output Module conform to those of the C Series.

|                                    |  |  |
|------------------------------------|--|--|
| <b>Number of analog outputs</b>    | 4  |  |
| <b>Output signal range</b>         | Voltage outputs                                | 1 to 5 V   |
|                                    |  | 0 to 10 V  |
|                                    | Current outputs                                | 4 to 20 mA   |
| <b>Resolution</b>                  | 1/4096   |  |
| <b>Accuracy</b>                    | 25°C   | ±0.5% max. (full scale, including linearity error) |
|                                    | 0 to 55°C                                      | ±1.0% max. (full scale, including linearity error) |
| <b>Conversion time (See Note.)</b> | 10 ms max.                                     |  |
| <b>Max. output impedance</b>       | Voltage output: 0.5 W                          |  |
| <b>Max. output current</b>         | Voltage output: 10 mA                          |  |
| <b>Max. load resistance</b>        | Current output: 400 W                          |  |
| <b>PLC signal</b>                  | 12-bit binary                                  |  |
| <b>Number of words</b>             | 64   |  |
| <b>External connections</b>        | 17-pin terminal block (not removable)          |  |
| <b>Isolation</b>                   | Between output terminals and PLC: photocoupler |  |
|                                    | Between output terminals and Module: none      |  |
| <b>Power consumption</b>           | 1.3 A max. 5 VDC                               |  |
| <b>Dimensions</b>                  | 34.5 (W) x 250 (H) x 113 (D) mm                |  |
| <b>Weight</b>                      | 650 g max.                                     |  |

**Note** This is the conversion time when the signal changes from one end of the range to the other. The smaller the signal change, the shorter the conversion time.





# Index

## A

- AD001 – AD005 Analog Input Modules
  - A/D conversion, 28
  - block diagram, 28
  - dimensions, 12
  - IR bit allocations, 29
  - programming, 48
  - specifications, 75
  - wiring, 13
  - word allocations, 4
- AD006 – AD007 Analog Input Modules
  - A/D conversion, 30
  - block diagram, 30
  - dimensions, 15
  - IR bit allocations, 31
  - programming, 50
  - specifications, 76
  - wiring, 16
  - word allocations, 4
- AD101 Analog Input Modules, 6
  - block diagram, 32
  - data reading area, 38
  - Intelligent I/O Write, 35
  - PLC communications, 34
  - specifications, 77
  - word allocations, 4
  - word setting, 6
  - A/D conversion, 32
  - data writing area, 36
  - dimensions, 18
  - four-word operation, 39, 59
  - input and conversion, 33
  - input ranges, 6
  - Intelligent I/O Read, 38
  - operation mode, 6
  - operational flow, 33
  - peak read bit, 35
  - peak reset bit, 35
  - programming, 52
  - two-word operation, 33, 52
  - unconfirmed data, 35
  - wiring, 18

## B

- basic configuration, 2

## C

- configuration examples, 3

## D

- DA001 – DA005 Analog Output Modules
  - bipolar output, 42
  - block diagram, 41
  - D/A conversion, 41
  - dimensions, 21
  - IR bit allocations, 43
  - programming, 69
  - specifications, 78
  - unipolar output, 41
  - wiring, 22
  - word allocations, 4
- DA101 Analog Output Modules, 9
  - block diagram, 44
  - conversion and output, 44
  - dimensions, 24
  - DIP switches, 9
  - IR bit allocations, 46
  - operational overflow, 45
  - program for BCD data, 71
  - program for binary data, 72
  - programming, 71
  - specifications, 79
  - unipolar output, 41
  - wiring, 24
  - word allocations, 4

## S

- Standard Models
  - Analog Input Modules, 73
  - Analog Output Modules, 73
  - Expansion I/O Racks, 73
- system configuration
  - basic, 2
  - samples, 3

## W

- wiring
  - AD101 Analog Input Modules, 18
  - DA001 – DA005 Analog Output Modules, 22
  - AD001 – AD005 Analog Input Modules, 13
  - AD006 – AD007 Analog Input Modules, 16
  - DA101 Analog Output Modules, 24
- word allocations, 3



## Revision History

# C120/C500/C1000H/C2000H

## Analog I/O Modules

A manual revision code appears as a suffix to the catalog number on the front cover of the manual.

Cat. No. W121-E3-1

↑  
Revision code

The following table outlines the changes made to the manual during each revision. Page numbers refer to the previous version.

| Revision code | Date      | Revised content  |
|---------------|-----------|--|
| E1-3          | June 1991 | AD001 through AD005 added.<br>TR bits and mnemonic code added to programs.<br><b>Page 6:</b> CPU model numbers corrected in caution.<br><b>Page 30 :</b> Bottom model number corrected and dimension changed from 100 to 103 in bottom graphic.<br><b>Pages 32, 34:</b> "kW" corrected to "kW."<br><b>Page 35:</b> Model numbers corrected in headings.<br><b>Page 41:</b> Operand corrected in third ANDW(34).<br><b>Page 44:</b> "61115" corrected to "6115" and operand in first MOV(21) corrected.<br><b>Page 45:</b> Instruction names and function codes corrected.<br><b>Page 56:</b> Function code corrected for BID and operand corrected in bottom OUT.<br><b>Page 59:</b> PC-Analog I/O Unit applicability corrected. |
| E3-1          | June 1996 | Major Revision for Section 3. Wiring drawings were updated for accuracy.   |



## OMRON ELECTRONICS LLC

1 Commerce Drive

Schaumburg, IL 60173

847.843.7900

For US technical support or  
other inquiries: 800.556.6766

## OMRON CANADA, INC.

885 Milner Avenue

Toronto, Ontario M1B 5V8

416.286.6465

## OMRON ON-LINE

Global - <http://www.omron.com>

USA - <http://www.omron.com/oei>

Canada - <http://www.omron.ca>

### UNITED STATES

To locate a Regional Sales Office, local Distributor or  
to obtain product information, call: 847.843.7900

### CANADA REGIONAL SALES OFFICES

|                         |           |              |
|-------------------------|-----------|--------------|
| <b>Ontario</b>          | Toronto   | 416.286.6465 |
|                         | Kitchener | 519.896.1144 |
|                         | Kingston  | 613.376.3968 |
| <b>Quebec</b>           | Montreal  | 514.636.6676 |
| <b>British Columbia</b> | Vancouver | 604.522.8855 |
| <b>Alberta</b>          | Edmonton  | 403.440.0818 |
|                         | Calgary   | 403.257.3095 |

### BRAZIL SALES OFFICE

**Sao Paulo** 55.11.5564.6488

### ARGENTINA SALES OFFICE

**Cono Sur** 54.114.787.1129

### MEXICO SALES OFFICES

**Florida** 954.227.2121      **Ciudad Juarez** 656.623.7083  
**Mexico, D.F.** 555.534.1195      **Monterrey, N.L.** 818.377.4281

Компания «Life Electronics» занимается поставками электронных компонентов импортного и отечественного производства от производителей и со складов крупных дистрибьюторов Европы, Америки и Азии.

С конца 2013 года компания активно расширяет линейку поставок компонентов по направлению коаксиальный кабель, кварцевые генераторы и конденсаторы (керамические, пленочные, электролитические), за счёт заключения дистрибьюторских договоров

Мы предлагаем:

- Конкурентоспособные цены и скидки постоянным клиентам.
- Специальные условия для постоянных клиентов.
- Подбор аналогов.
- Поставку компонентов в любых объемах, удовлетворяющих вашим потребностям.
- Приемлемые сроки поставки, возможна ускоренная поставка.
- Доставку товара в любую точку России и стран СНГ.
- Комплексную поставку.
- Работу по проектам и поставку образцов.
- Формирование склада под заказчика.
- Сертификаты соответствия на поставляемую продукцию (по желанию клиента).
- Тестирование поставляемой продукции.
- Поставку компонентов, требующих военную и космическую приемку.
- Входной контроль качества.
- Наличие сертификата ISO.

В составе нашей компании организован Конструкторский отдел, призванный помогать разработчикам, и инженерам.

Конструкторский отдел помогает осуществить:

- Регистрацию проекта у производителя компонентов.
- Техническую поддержку проекта.
- Защиту от снятия компонента с производства.
- Оценку стоимости проекта по компонентам.
- Изготовление тестовой платы монтаж и пусконаладочные работы.



Тел: +7 (812) 336 43 04 (многоканальный)  
Email: [org@lifeelectronics.ru](mailto:org@lifeelectronics.ru)