

THIS DRAWING IS UNPUBLISHED. RELEASED FOR PUBLICATION SEP. 2005.
 © COPYRIGHT 2005 By - ALL RIGHTS RESERVED.

| LOC | DIST | REVISIONS | | |
|-----|------|-----------|-----|-----------------------|
| J | / | P | LTR | DESCRIPTION |
| | | | | DATE |
| | | | | DWN |
| | | | | APVD |
| | | F5 | | REVISED(ADD A NEW PN) |
| | | | | 23DEC2015 |
| | | | | A.X |
| | | | | H.W |

NOTICE: THIS COMMUNICATION INCLUDES TE CONNECTIVITY CONFIDENTIAL OR PROPRIETARY INFORMATION THAT MAY ALSO BE LEGALLY PRIVILEGED.


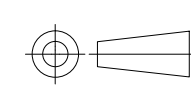
| | | | | | | | | | | | | | | |
|---------------|-------------|----------------------------------|------|-----------|-----|-------|-------|-------|-----|-----|--------------|----------------------------------|-----------------------------------|----------------------------|
| AVAILABLE | WITHOUT P/N | Au 0.1um MIN OVER PdNi 0.2um MIN | - | - | 0.5 | 10.55 | - | - | 1.1 | 1.1 | WITHOUT BOSS | EMBOSS PACKING (SEE SHEET 2) | WITHOUT FLANGE TYPE (SEE SHEET 6) | 9-1747981-2 |
| AVAILABLE | WITH P/N | Au 0.1um MIN OVER PdNi 0.2um MIN | - | M3 x 0.5 | 1.0 | 10.55 | 12.75 | 10.08 | 2.2 | 1.8 | WITH BOSS | SOFT TRAY PACKING (SEE SHEET 4) | WITH FLANGE TYPE (SEE SHEET 7) | 9-1747981-1 |
| AVAILABLE | WITHOUT P/N | Au 0.1um MIN OVER PdNi 0.2um MIN | 14.3 | M3 x 0.5 | 0.5 | 10.05 | 10.95 | 7.98 | 2.2 | 1.8 | WITHOUT BOSS | EMBOSS PACKING (SEE SHEET 3) | WITH FLANGE TYPE (SEE SHEET 7) | 8-1747981-2 2-1747981-5 |
| AVAILABLE | WITHOUT P/N | Au 0.1um MIN OVER PdNi 0.2um MIN | - | M3 x 0.5 | 0.5 | 10.05 | 10.95 | 7.98 | 2.2 | 1.8 | WITHOUT BOSS | CLEAR TRAY PACKING (SEE SHEET 4) | WITH FLANGE TYPE (SEE SHEET 7) | 8-1747981-1 |
| AVAILABLE | WITHOUT P/N | Au 0.1um MIN OVER PdNi 0.2um MIN | - | M3 x 0.5 | 1.0 | 10.55 | 12.75 | 10.08 | 2.2 | 1.8 | WITH BOSS | SOFT TRAY PACKING (SEE SHEET 4) | WITH FLANGE TYPE (SEE SHEET 7) | 3-1747981-1 |
| NOT AVAILABLE | WITHOUT P/N | Au 0.1um MIN OVER PdNi 0.2um MIN | 16.3 | #4-40 UNC | 0.5 | 10.55 | 12.75 | 10.08 | 2.2 | 1.8 | WITH BOSS | EMBOSS PACKING (SEE SHEET 3) | WITH FLANGE TYPE (SEE SHEET 7) | 2-1747981-4 |
| AVAILABLE | WITHOUT P/N | Au 0.76um MIN | 16.3 | M3 x 0.5 | 1.0 | 10.55 | 12.75 | 10.08 | 2.2 | 1.8 | WITHOUT BOSS | EMBOSS PACKING (SEE SHEET 3) | WITH FLANGE TYPE (SEE SHEET 7) | 2-1747981-3 |
| NOT AVAILABLE | WITHOUT P/N | Au 0.1um MIN OVER PdNi 0.2um MIN | - | #4-40 UNC | 0.5 | 10.05 | 12.75 | 10.08 | 2.2 | 1.8 | WITHOUT BOSS | HARDTRAY PACKING (-) | WITH FLANGE TYPE (SEE SHEET 7) | 2-1747981-2 |
| AVAILABLE | WITHOUT P/N | Au 0.76um MIN | - | M3 x 0.5 | 1.0 | 10.55 | 12.75 | 10.08 | 2.2 | 1.8 | WITHOUT BOSS | SOFT TRAY PACKING (SEE SHEET 4) | WITH FLANGE TYPE (SEE SHEET 7) | 2-1747981-1 |
| AVAILABLE | WITHOUT P/N | Au 0.1um MIN OVER PdNi 0.2um MIN | - | M3 x 0.5 | 1.0 | 10.55 | 12.75 | 10.08 | 1.5 | 1.5 | WITHOUT BOSS | SOFT TRAY PACKING (SEE SHEET 4) | WITH FLANGE TYPE (SEE SHEET 7) | 1-1747981-8 |
| AVAILABLE | WITHOUT P/N | Au 0.1um MIN OVER PdNi 0.2um MIN | 16.3 | M3 x 0.5 | 1.0 | 10.55 | 12.75 | 10.08 | 2.2 | 1.8 | WITHOUT BOSS | EMBOSS PACKING (SEE SHEET 3) | WITH FLANGE TYPE (SEE SHEET 7) | 1-1747981-7 |
| AVAILABLE | WITHOUT P/N | Au 0.1um MIN OVER PdNi 0.2um MIN | - | M3 x 0.5 | 0.5 | 10.05 | 10.95 | 7.98 | 2.2 | 1.8 | WITHOUT BOSS | SOFT TRAY PACKING (SEE SHEET 5) | WITH FLANGE TYPE (SEE SHEET 7) | 1-1747981-6 |
| AVAILABLE | WITHOUT P/N | Au 0.1um MIN OVER PdNi 0.2um MIN | 14.3 | M3 x 0.5 | 0.5 | 10.05 | 10.95 | 7.98 | 1.5 | 1.5 | WITHOUT BOSS | EMBOSS PACKING (SEE SHEET 3) | WITH FLANGE TYPE (SEE SHEET 7) | 1-1747981-5 |
| AVAILABLE | WITHOUT P/N | Au 0.1um MIN OVER PdNi 0.2um MIN | - | M3 x 0.5 | 1.0 | 10.55 | 12.75 | 10.08 | 2.2 | 1.8 | WITHOUT BOSS | SOFT TRAY PACKING (SEE SHEET 4) | WITH FLANGE TYPE (SEE SHEET 7) | 1-1747981-4 |
| AVAILABLE | WITHOUT P/N | Au 0.1um MIN OVER PdNi 0.2um MIN | - | #4-40 UNC | 0.5 | 10.05 | 12.75 | 10.08 | 2.2 | 1.8 | WITHOUT BOSS | SOFT TRAY PACKING (SEE SHEET 4) | WITH FLANGE TYPE (SEE SHEET 7) | 1-1747981-3 |
| AVAILABLE | WITHOUT P/N | Au 0.1um MIN OVER PdNi 0.2um MIN | - | M3 x 0.5 | 0.5 | 10.05 | 10.95 | 7.98 | 1.5 | 1.5 | WITHOUT BOSS | SOFT TRAY PACKING (SEE SHEET 4) | WITH FLANGE TYPE (SEE SHEET 7) | 1-1747981-2 |
| AVAILABLE | WITHOUT P/N | Au 0.1um MIN OVER PdNi 0.2um MIN | - | M3 x 0.5 | 0.5 | 10.05 | 10.95 | 7.98 | 2.2 | 1.8 | WITHOUT BOSS | SOFT TRAY PACKING (SEE SHEET 4) | WITH FLANGE TYPE (SEE SHEET 7) | 1-1747981-1 |
| AVAILABLE | WITHOUT P/N | Au 0.1um MIN OVER PdNi 0.2um MIN | - | - | 0.5 | 10.05 | - | - | 1.5 | 1.5 | WITHOUT BOSS | EMBOSS PACKING (SEE SHEET 2) | WITHOUT FLANGE TYPE (SEE SHEET 6) | 1747981-2 |
| AVAILABLE | WITHOUT P/N | Au 0.1um MIN OVER PdNi 0.2um MIN | - | - | 0.5 | 10.05 | - | - | 2.2 | 1.8 | WITHOUT BOSS | EMBOSS PACKING (SEE SHEET 2) | WITHOUT FLANGE TYPE (SEE SHEET 6) | 1747981-1 |

| | | | | | | | | | | | | | | | |
|-------------|---------------------|---------------------------|---|-------|------------------|-------|-------|-------|-------|-------|-------|------|---------|----------------|-------------|
| TOOL STATUS | PART NUMBER MARKING | CONTACT AREA PLATING SPEC | J | DIM H | SCREW SIZE DIM G | DIM F | DIM E | DIM D | DIM C | DIM B | DIM A | BOSS | PACKING | CONNECTOR TYPE | PART NUMBER |
|-------------|---------------------|---------------------------|---|-------|------------------|-------|-------|-------|-------|-------|-------|------|---------|----------------|-------------|

1 CONTACT COPLANALITY IS 0.1 MAXIMUM.
 THIS DIMENSION MEANS CENTER OF THE POCKET.
 FINISH
 CONTACT: CONTACT AREA J: SEE TABLE
 2um MIN Sn PLATING ON SOLDERING AREA
 2um MIN Ni UNDER PLATING ALL OVER
 SHELL: 1um MIN Sn PLATING ALL OVER
 1um MIN Ni UNDER PLATING ALL OVER

REFER TO THE TABLE FOR BOSS.
 SCREW SIZE
 PART NUMBER MAKING

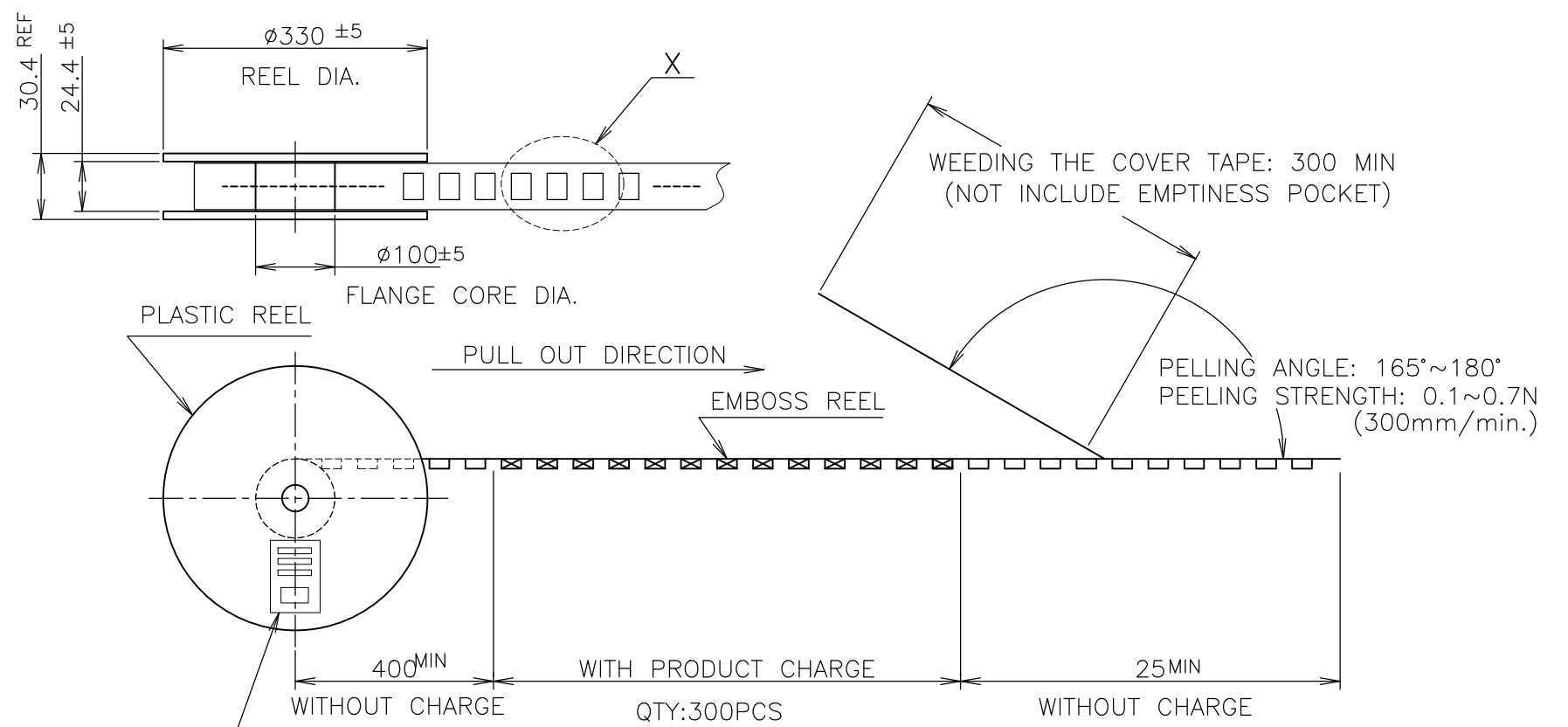
THIS DRAWING IS A CONTROLLED DOCUMENT.

| | | | | | | |
|---|---|--------------------------|--|-----------|---------------|---------------|
| DIMENSIONS: 单位: 毫米 mm | TOLERANCES UNLESS OTHERWISE SPECIFIED: 一般公差 | DWN Y.HIRATA 15SEP2005 |  TE Connectivity HDMI 19 POS RECEPTACLE ASSY SMT TYPE -LEAD FREE- | | | |
|  | 0 PLC ± 0.2 | CHK T.KIMURA 15SEP2005 | | | | |
| | 1 PLC ± 0.2 | APVD K.IKEGAMI 15SEP2005 | | | | |
| | 2 PLC ± 0.2 | NAME 名称 | | | | |
| 3 PLC ± 0.2 | PRODUCT SPEC 製品規格 | 108-78180-1 | SIZE | CAGE CODE | DRAWING NO 番号 | RESTRICTED TO |
| 4 PLC ± 0.2 | APPLICATION SPEC 取付適用規格 | WEIGHT | A3 | 00779 | G-1747981 | - |
| ANGLES ± | FINISH 仕上 | CUSTOMER DRAWING | SCALE 尺度 | NTS | SHEET 1 of 8 | REV F5 |

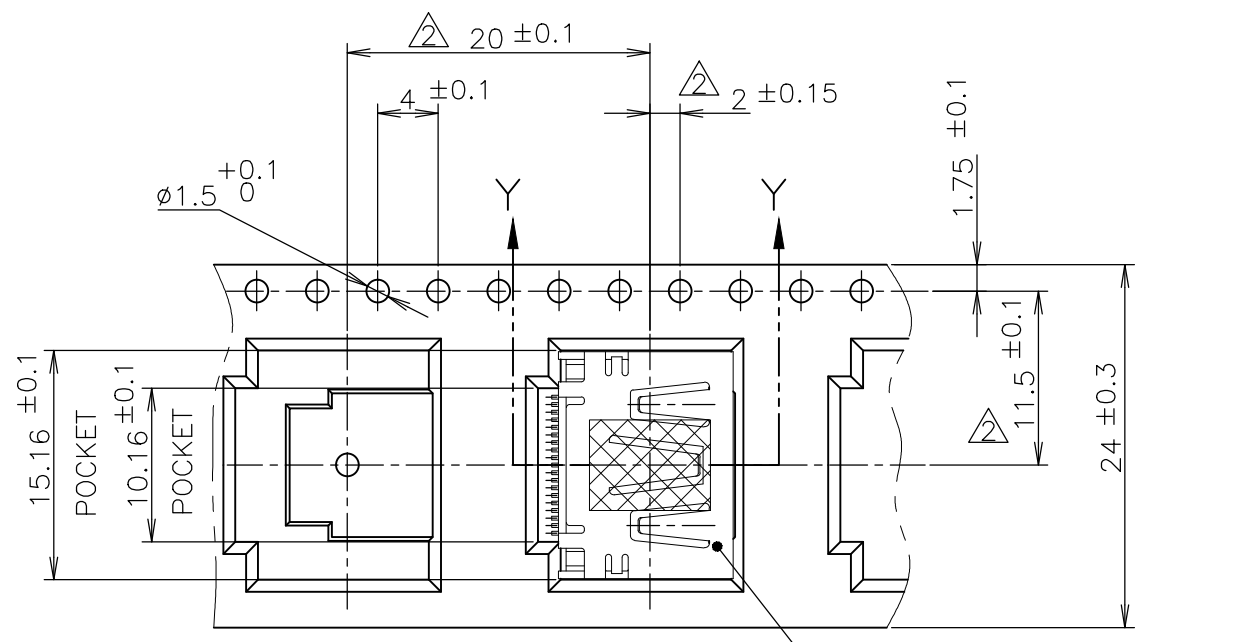
THIS DRAWING IS UNPUBLISHED. RELEASED FOR PUBLICATION SEP ,2005.
 © COPYRIGHT 2005 By - ALL RIGHTS RESERVED.

| LOC | DIST | REVISIONS | | |
|-----|------|-----------|------|-------------|
| J | / | P | LTR | DESCRIPTION |
| | | - | | SEE SHEET 1 |
| | | | DATE | DWN |
| | | | - | - |
| | | | APVD | - |

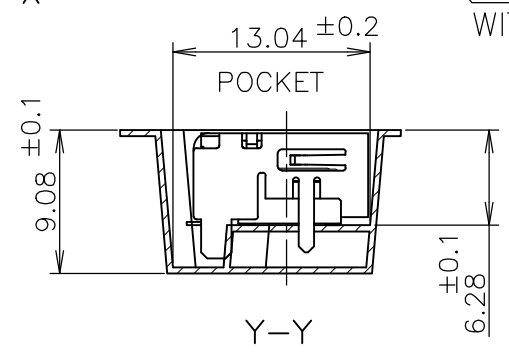
NOTICE: THIS COMMUNICATION INCLUDES TE CONNECTIVITY CONFIDENTIAL OR PROPRIETARY INFORMATION THAT MAY ALSO BE LEGALLY PRIVILEGED.



LABEL DESCRIPTION
 TE CONNECTIVITY P/N.: 1747981-*
 QTY: 300 pcs
 D/C:
 MADE IN CHINA



DETAIL X
 CONNECTOR WITHOUT FLANGE TYPE



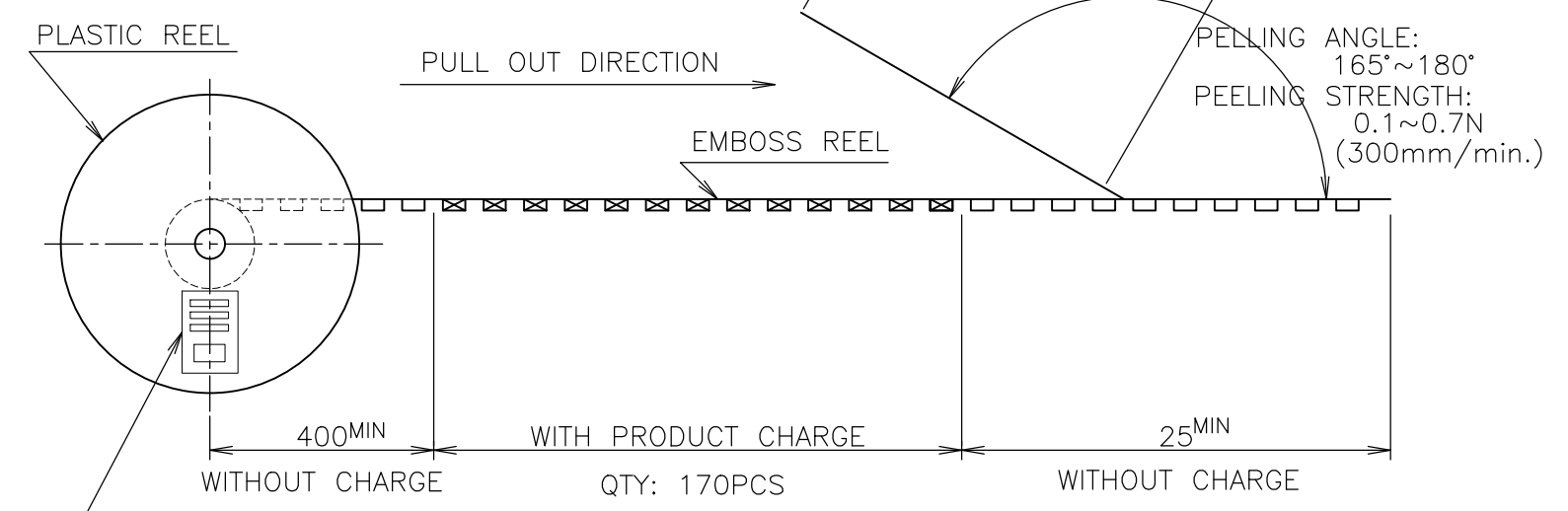
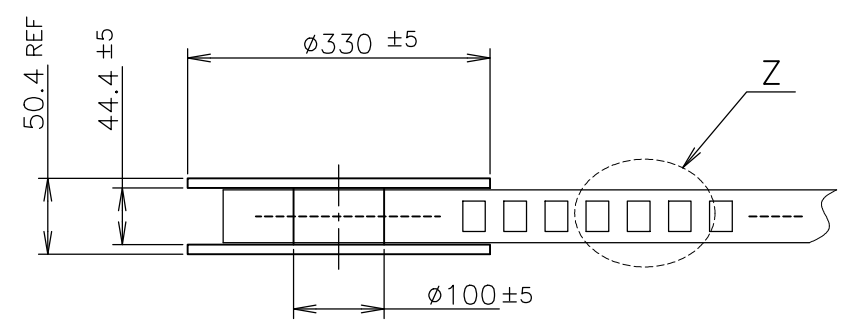
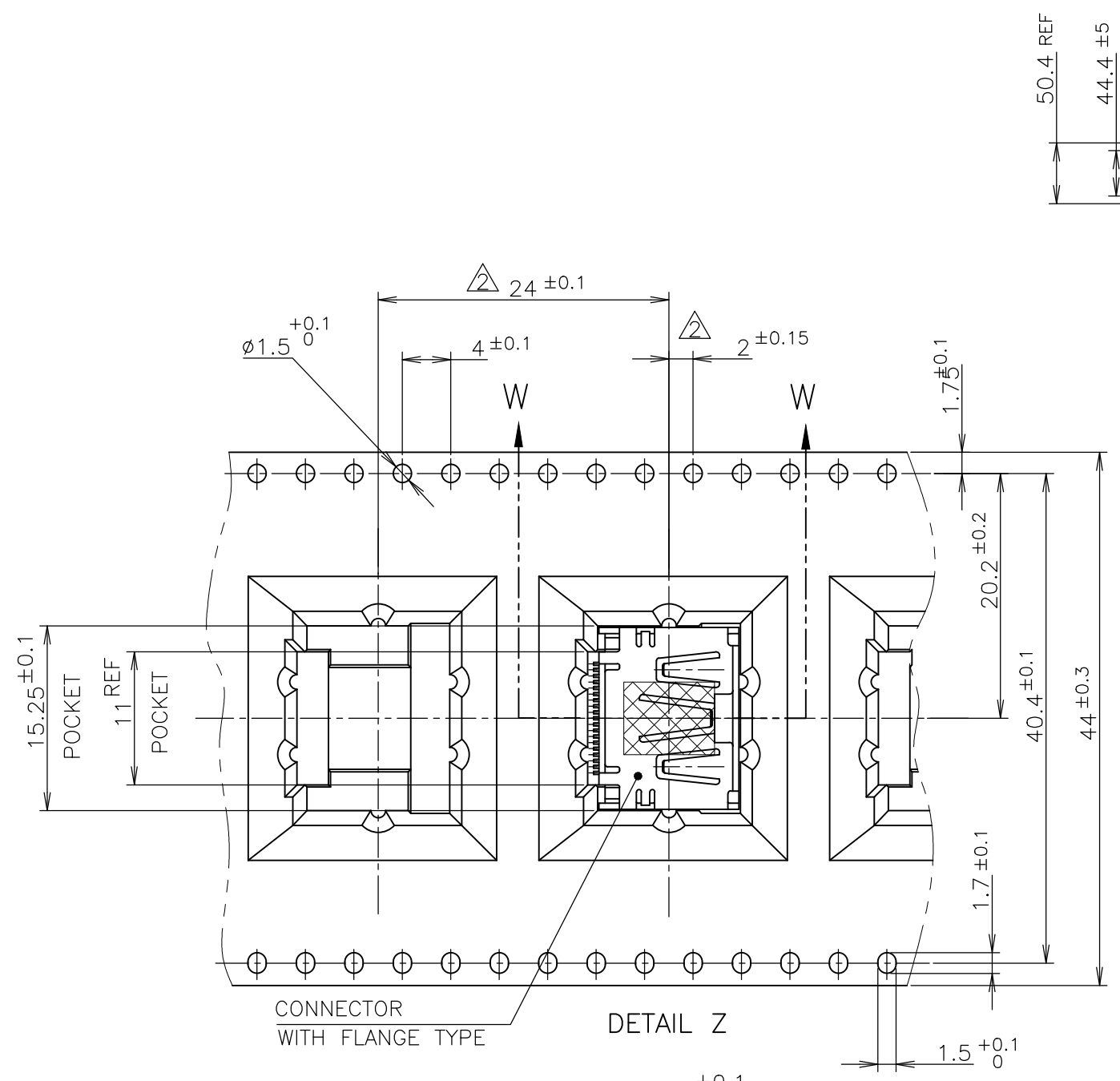
| | | |
|-----|---------------------|-------------|
| 300 | WITHOUT FLANGE TYPE | 9-1747981-2 |
| 300 | WITHOUT FLANGE TYPE | 1747981-2 |
| 300 | WITHOUT FLANGE TYPE | 1747981-1 |
| QTY | CONNECTOR TYPE | PART NUMBER |

| | | | | | | |
|---|-----------|-------------------|---|-----------|---------------|-------------------------|
| THIS DRAWING IS A CONTROLLED DOCUMENT. | | DWN | TE Connectivity HDMI 19 POS RECEPTACLE ASSY SMT TYPE -LEAD FREE- | | | |
| DIMENSIONS: 單位: 耗 mm | | CHK | | | | NAME 名稱 |
| TOLERANCES UNLESS OTHERWISE SPECIFIED: 一般公差 | | APVD | | | | PRODUCT SPEC 製品規格 |
| 0 PLC ± 0.2 1 PLC ± 0.2 2 PLC ± 0.2 3 PLC ± 0.2 4 PLC ± 0.2 ANGLES ± - | | PRODUCT SPEC 製品規格 | | | | APPLICATION SPEC 取付適用規格 |
| MATERIAL 材料 | FINISH 仕上 | WEIGHT | SIZE | CAGE CODE | DRAWING NO 番号 | RESTRICTED TO |
| | | | A3 | 00779 | C-1747981 | |
| CUSTOMER DRAWING | | | SCALE 尺度 | NTS | SHEET 2 OF 8 | REV F5 |

THIS DRAWING IS UNPUBLISHED. RELEASED FOR PUBLICATION SEP , 2005.
 © COPYRIGHT 2005 By - ALL RIGHTS RESERVED.

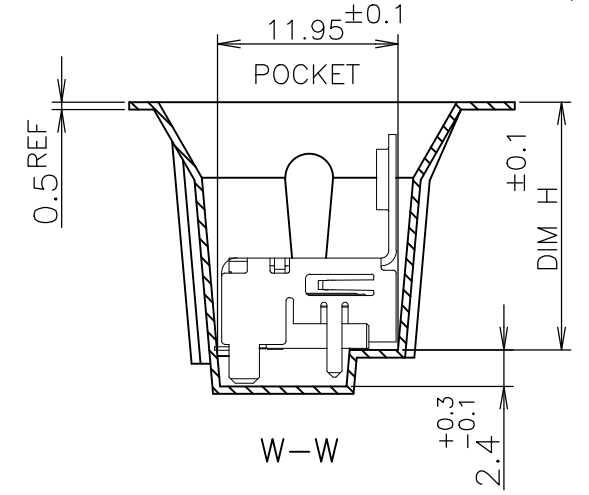
| LOC | DIST | REVISIONS | | |
|-----|------|-----------|------|-------------|
| J | / | P | LTR | DESCRIPTION |
| | | - | | SEE SHEET 1 |
| | | | DATE | DWN |
| | | | - | - |
| | | | APVD | - |

NOTICE: THIS COMMUNICATION INCLUDES TE CONNECTIVITY CONFIDENTIAL OR PROPRIETARY INFORMATION THAT MAY ALSO BE LEGALLY PRIVILEGED.



TE CONNECTIVITY P/N.: *-1747981-*
 QTY: 170 pcs
 D/C: MADE IN CHINA

| | | |
|-----|------------------|-------------|
| 170 | WITH FLANGE TYPE | 8-1747981-2 |
| 170 | WITH FLANGE TYPE | 2-1747981-5 |
| 170 | WITH FLANGE TYPE | 2-1747981-4 |
| 170 | WITH FLANGE TYPE | 2-1747981-3 |
| 170 | WITH FLANGE TYPE | 1-1747981-7 |
| 170 | WITH FLANGE TYPE | 1-1747981-5 |
| QTY | CONNECTOR TYPE | PART NUMBER |



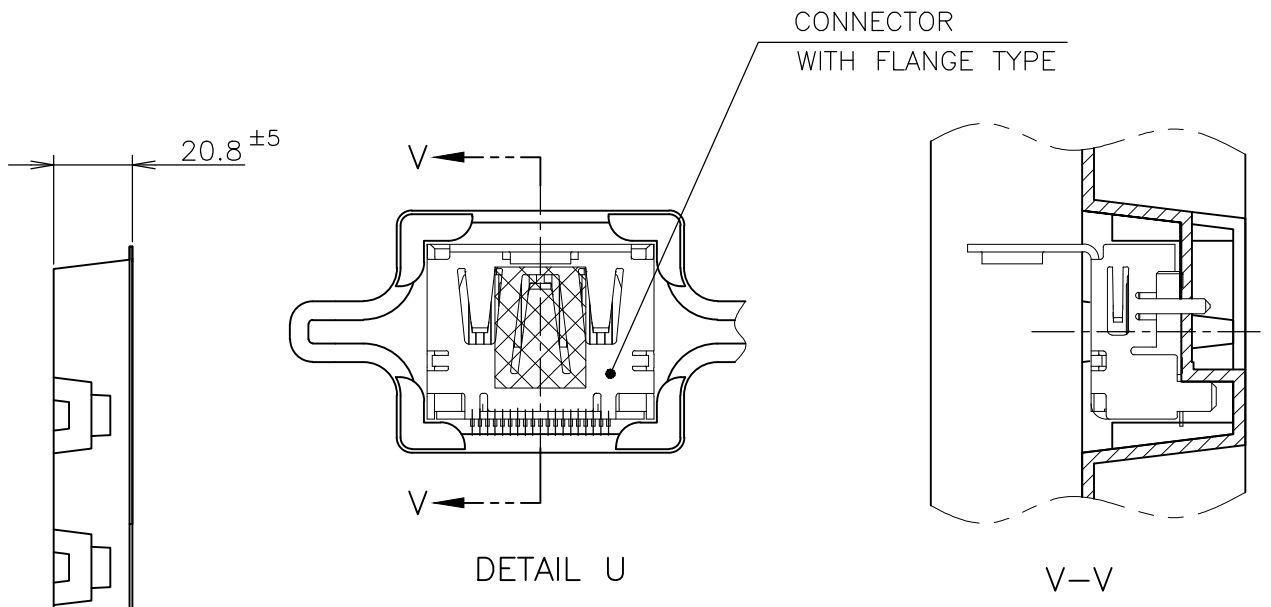
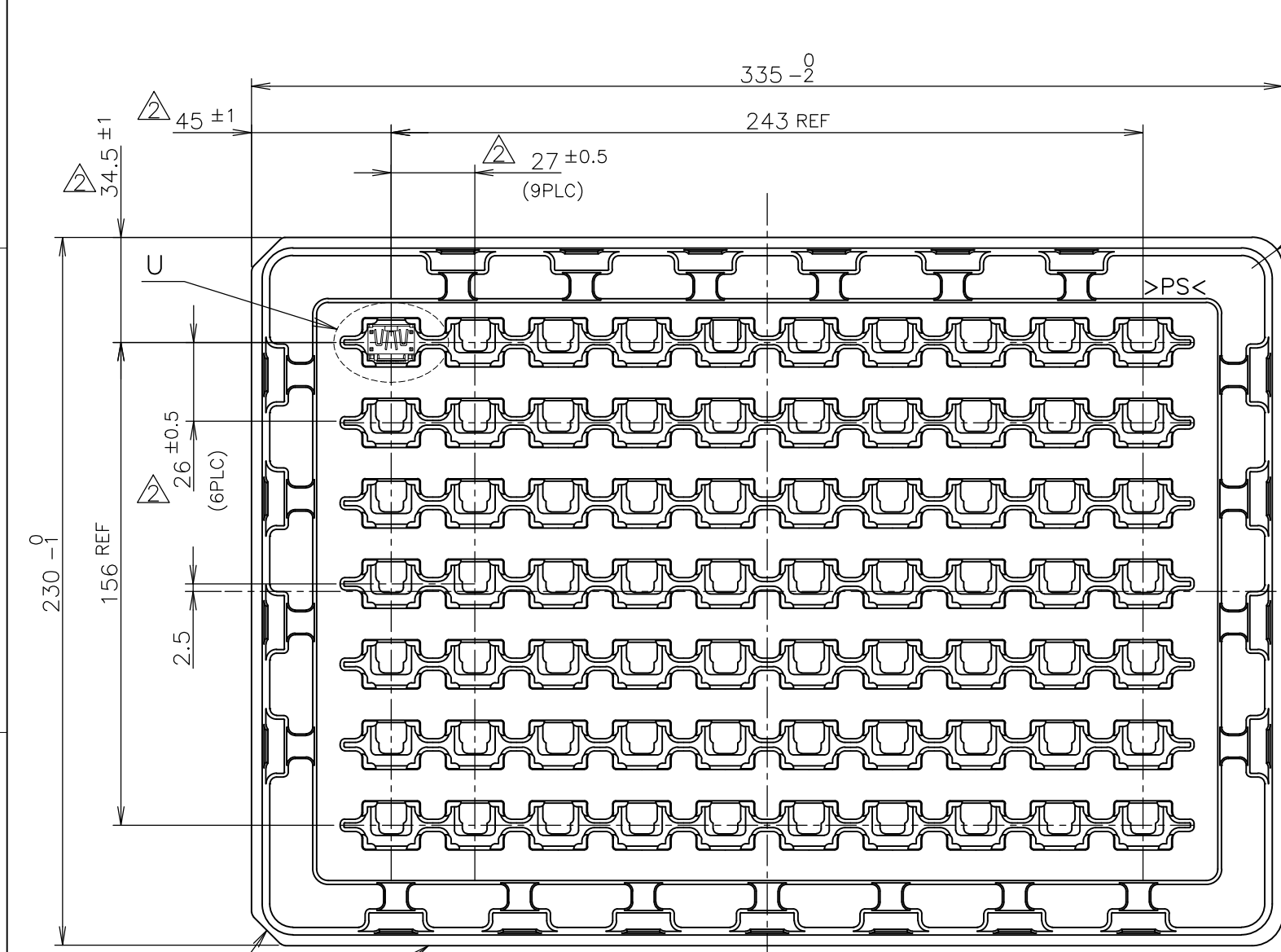
THIS DRAWING IS A CONTROLLED DOCUMENT.

| | |
|----------------------------|---|
| DIMENSIONS: 單位: 耗 mm | TOLERANCES UNLESS OTHERWISE SPECIFIED: 一般公差 |
| 0 PLC ± 0.2 | 1 PLC ± 0.2 |
| 2 PLC ± 0.2 | 3 PLC ± 0.2 |
| 4 PLC ± 0.2 | ANGLES ± - |
| MATERIAL 材料 | FINISH 仕上 |

| | | | |
|----------------------------|--|-----------|------------------|
| DWN | STE TE Connectivity | | |
| CHK | NAME 名称 | | |
| APVD | HDMI 19 POS RECEPTACLE ASSY SMT TYPE -LEAD FREE- | | |
| PRODUCT SPEC 製品規格 | 108-78180-1 | | |
| APPLICATION SPEC 取付適用規格 | SIZE | CAGE CODE | DRAWING NO 番号 |
| WEIGHT | A3 | 00779 | G-1747981 |
| CUSTOMER DRAWING | SCALE 尺度 | SHEET | REV |
| | NTS | 3 OF 8 | F5 |

THIS DRAWING IS UNPUBLISHED. RELEASED FOR PUBLICATION SEP , 2005.
 © COPYRIGHT 2005 By - ALL RIGHTS RESERVED.

| LOC | DIST | REVISIONS | | | | | |
|-----|------|-----------|-----|-------------|------|-----|------|
| J | / | P | LTR | DESCRIPTION | DATE | DWN | APVD |
| | | - | | SEE SHEET 1 | - | - | - |



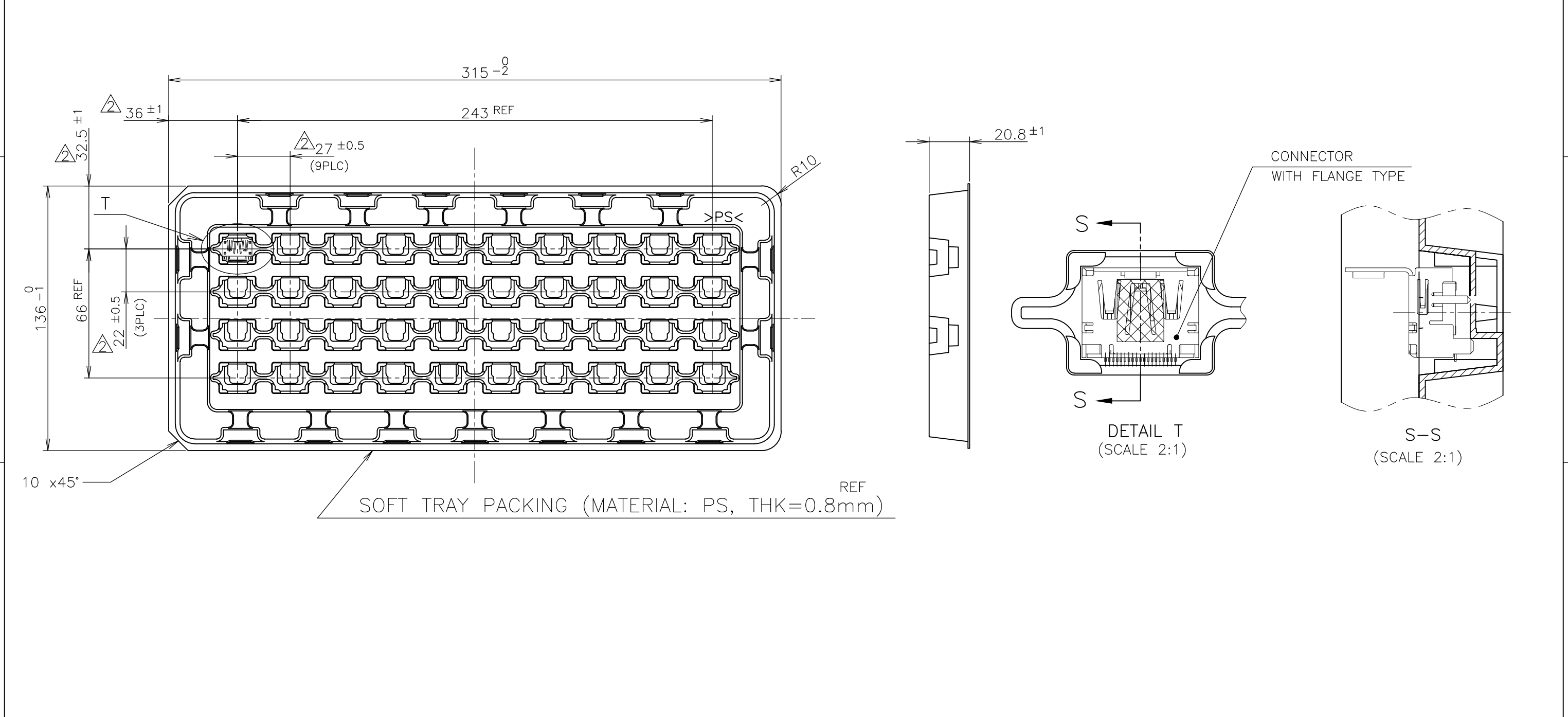
| 70 | WITH FLANGE TYPE | 9-1747981-1 |
|-----|------------------|-------------|
| 70 | WITH FLANGE TYPE | 8-1747981-1 |
| 70 | WITH FLANGE TYPE | 3-1747981-1 |
| 70 | WITH FLANGE TYPE | 2-1747981-1 |
| 70 | WITH FLANGE TYPE | 1-1747981-8 |
| 70 | WITH FLANGE TYPE | 1-1747981-4 |
| 70 | WITH FLANGE TYPE | 1-1747981-3 |
| 70 | WITH FLANGE TYPE | 1-1747981-2 |
| 70 | WITH FLANGE TYPE | 1-1747981-1 |
| QTY | CONNECTOR TYPE | PART NUMBER |

NOTICE: THIS COMMUNICATION INCLUDES TE CONNECTIVITY CONFIDENTIAL OR PROPRIETARY INFORMATION THAT MAY ALSO BE LEGALLY PRIVILEGED.

| | | | | | |
|---|--|-------------------------|--|------------------------------|--|
| THIS DRAWING IS A CONTROLLED DOCUMENT. | | DWN | | STE TE Connectivity | |
| DIMENSIONS: 单位: 耗 mm | | CHK | | | |
| TOLERANCES UNLESS OTHERWISE SPECIFIED: 一般公差 | | APVD | | NAME 名称 | |
| 0 PLC ± 0.2 | | PRODUCT SPEC 製品規格 | | HDMI 19 POS | |
| 1 PLC ± 0.2 | | APPLICATION SPEC 取付適用規格 | | RECEPTACLE ASSY SMT TYPE | |
| 2 PLC ± 0.2 ± 0.3 | | WEIGHT | | -LEAD FREE- | |
| 3 PLC ± 0.2 | | CUSTOMER DRAWING | | SIZE CAGE CODE DRAWING NO 番号 | |
| 4 PLC ± 0.2 | | SCALE 尺度 NTS | | A3 00779 C-1747981 | |
| ANGLES ± - | | SHEET 4 OF 8 | | RESTRICTED TO | |
| FINISH 仕上 | | REV F5 | | | |

THIS DRAWING IS UNPUBLISHED. RELEASED FOR PUBLICATION SEP , 2005.
 © COPYRIGHT 2005 By - ALL RIGHTS RESERVED.

| LOC | DIST | REVISIONS | | | | | |
|-----|------|-----------|-----|-------------|------|-----|------|
| J | / | P | LTR | DESCRIPTION | DATE | DWN | APVD |
| | | - | | SEE SHEET 1 | - | - | - |



NOTICE: THIS COMMUNICATION INCLUDES TE CONNECTIVITY CONFIDENTIAL OR PROPRIETARY INFORMATION THAT MAY ALSO BE LEGALLY PRIVILEGED.

THIS DRAWING IS A CONTROLLED DOCUMENT.

| | |
|----------------------------|---|
| DIMENSIONS: 単位: 耗 mm | TOLERANCES UNLESS OTHERWISE SPECIFIED: 一般公差 |
| | 0 PLC ±0.2 1 PLC ±0.2 2 PLC ±0.2 3 PLC ±0.2 4 PLC ±0.2 ANGLES ±- |
| MATERIAL 材料 | FINISH 仕上 |

| | | |
|----------------------------|--|-----------------|
| 40 | WITH FLANGE TYPE | 1-1747981-6 |
| QTY | CONNECTOR TYPE | PART NUMBER |
| DWN | TE Connectivity | |
| CHK | | |
| APVD | NAME HDMI 19 POS RECEPTACLE ASSY SMT TYPE -LEAD FREE- | |
| PRODUCT SPEC 製品規格 | 108-78180-1 | |
| APPLICATION SPEC 取付適用規格 | SIZE | CAGE CODE |
| WEIGHT | A3 | 00779 |
| CUSTOMER DRAWING | DRAWING NO 番号 | RESTRICTED TO |
| | C-1747981 | - |
| | SCALE 尺度 NTS | SHEET 5 OF 8 |
| | | REV F5 |

THIS DRAWING IS UNPUBLISHED.

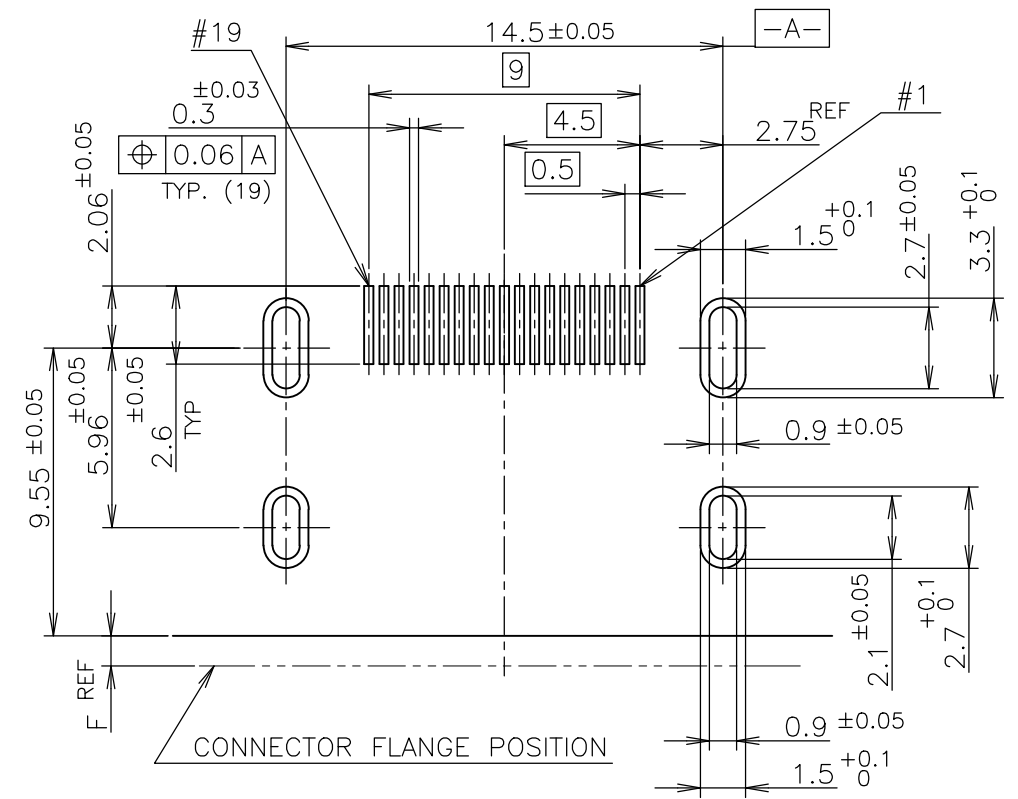
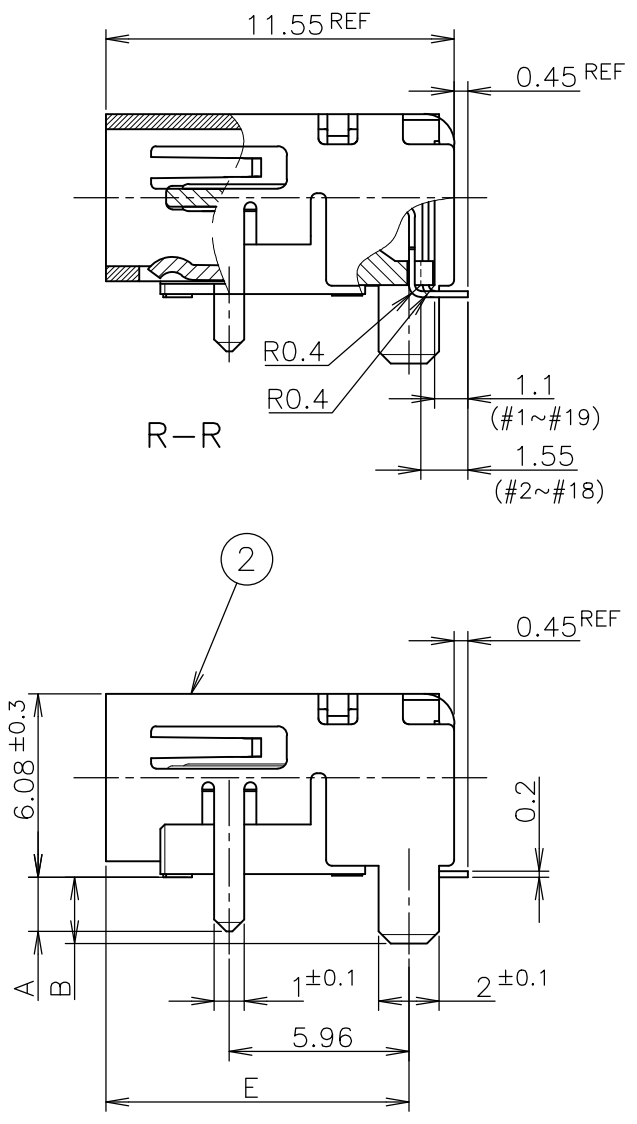
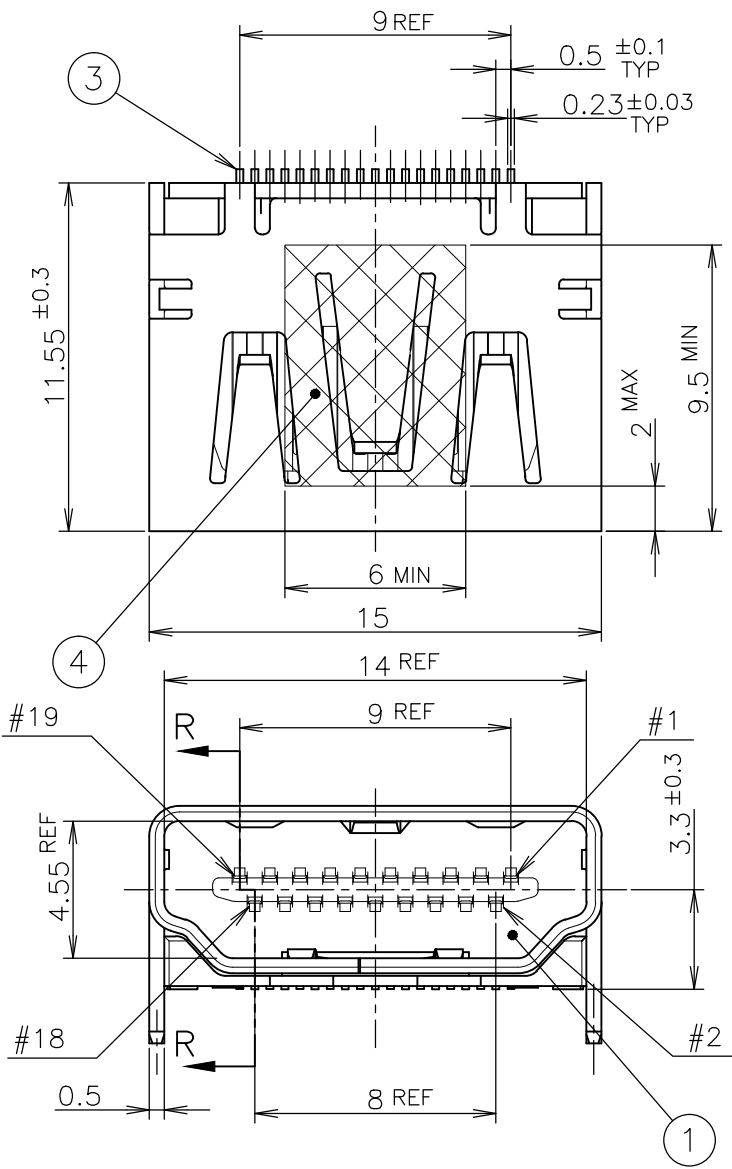
RELEASED FOR PUBLICATION

SEP. 2005.

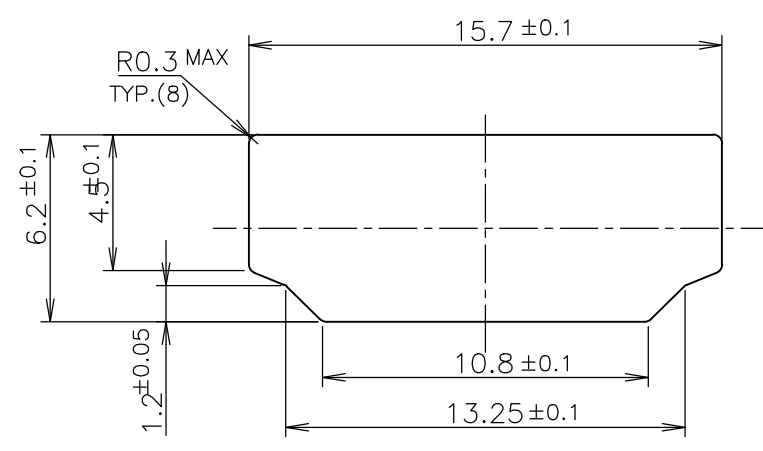
© COPYRIGHT 2005 By -

ALL RIGHTS RESERVED.

| LOC | DIST | REVISIONS | | | DATE | DWN | APVD |
|-----|------|-----------|-----|-------------|------|-----|------|
| | | P | LTR | DESCRIPTION | | | |
| J | | | | SEE SHEET 1 | - | - | - |



P.C.B LAYOUT
 SHOWN AS CONNECTOR MOUNTING SIDE
 TOLERANCE: NON-CUMULATIVE
 (REFERENCE)



PANEL CUT OUT DIMENSION
 (REFERENCE)

CONNECTOR WITHOUT FLANGE TYPE

NOTICE: THIS COMMUNICATION INCLUDES TE CONNECTIVITY CONFIDENTIAL OR PROPRIETARY INFORMATION THAT MAY ALSO BE LEGALLY PRIVILEGED.

| FINISH | MATERIAL | QTY | DISCRIPTION | ITEM |
|--------|------------------------------------|-----|----------------|------|
| | POLYIMIDE | 1 | POLYIMIDE TAPE | ④ |
| | COPPER ALLOY | 19 | CONTACT | ③ |
| | COPPER ALLOY | 1 | SHELL | ② |
| | THERMOPLASTIC UL94V-0, BLACK COLOR | 1 | HOUSING | ① |

| | | | | | |
|---|--|---|--|--|---------------|
| THIS DRAWING IS A CONTROLLED DOCUMENT. | | DWN | | TE Connectivity | |
| DIMENSIONS: 单位: 耗 mm | | CHK | | | |
| TOLERANCES UNLESS OTHERWISE SPECIFIED: 一般公差 | | APVD | | NAME 名称 | |
| 0 PLC ± 0.2 1 PLC ± 0.2 2 PLC ± 0.2 3 PLC ± 0.2 4 PLC ± 0.2 ANGLES ± | | PRODUCT SPEC 製品規格 108-78180-1 APPLICATION SPEC 取付適用規格 | | HDMI 19 POS RECEPTACLE ASSY SMT TYPE -LEAD FREE- | |
| MATERIAL 材料 | | WEIGHT | | SIZE | RESTRICTED TO |
| FINISH 仕上 | | CUSTOMER DRAWING | | CAGE CODE | REV |
| | | | | DRAWING NO 番号 | 6 of 8 |
| | | | | A300779 C-1747981 | F5 |
| | | | | SCALE 尺度 4:1 | |

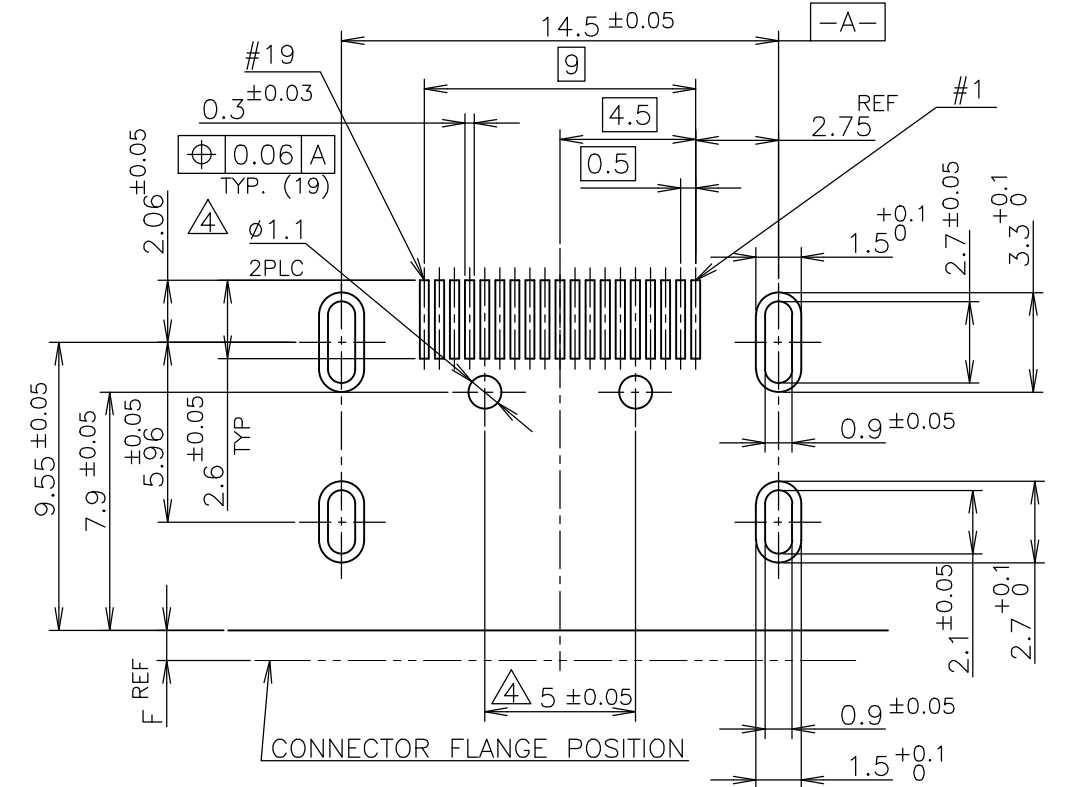
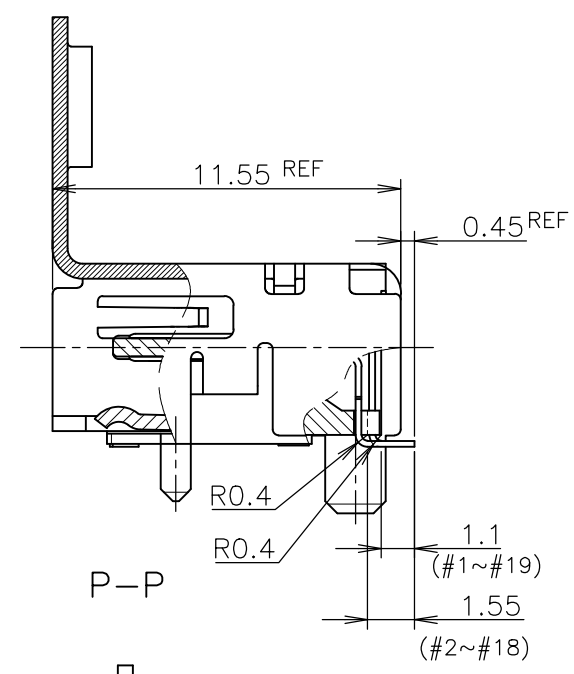
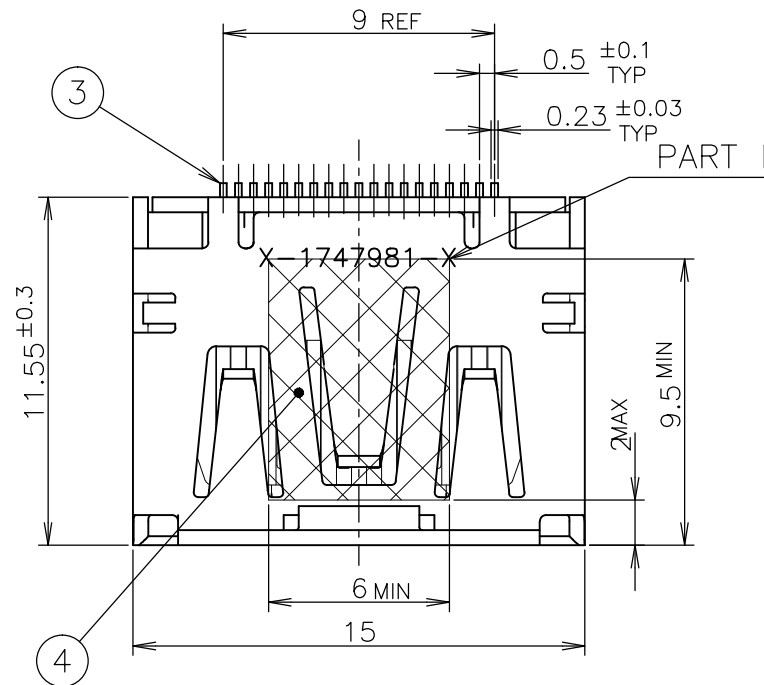
THIS DRAWING IS UNPUBLISHED.

RELEASED FOR PUBLICATION SEP. 2005.

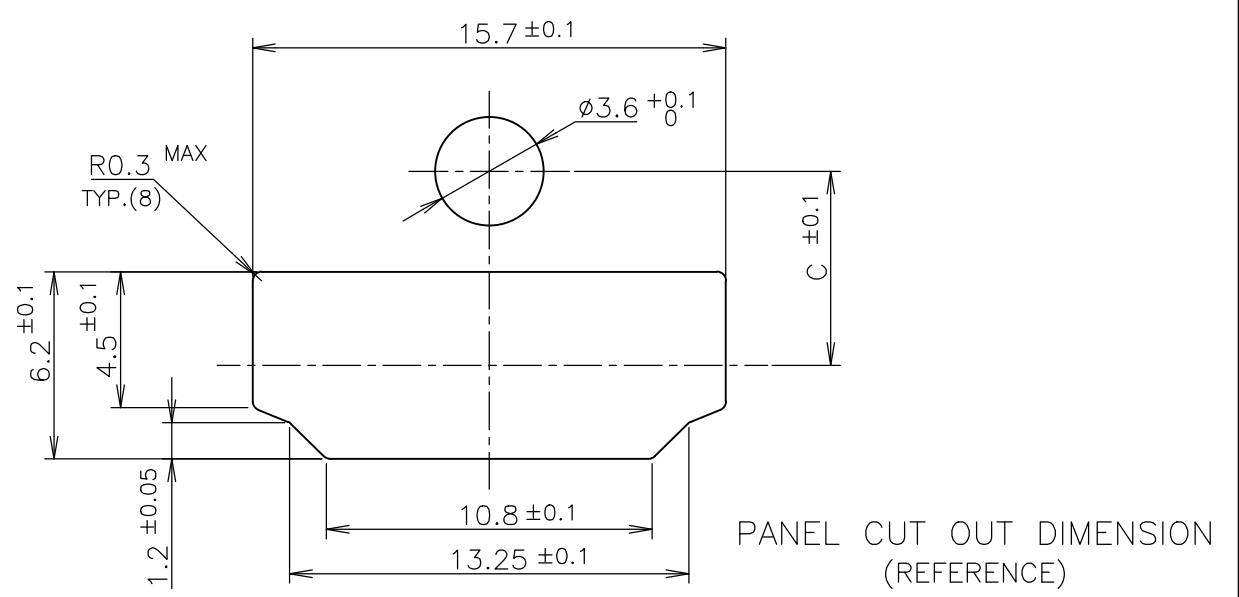
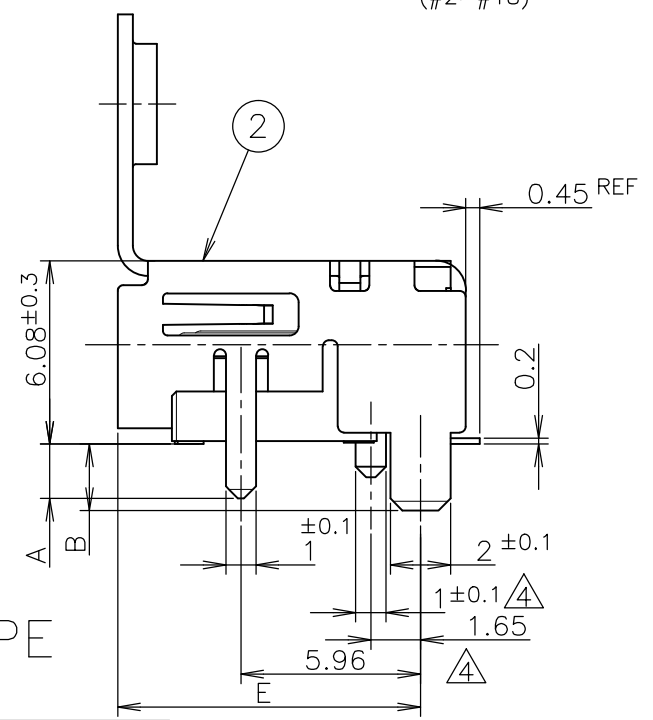
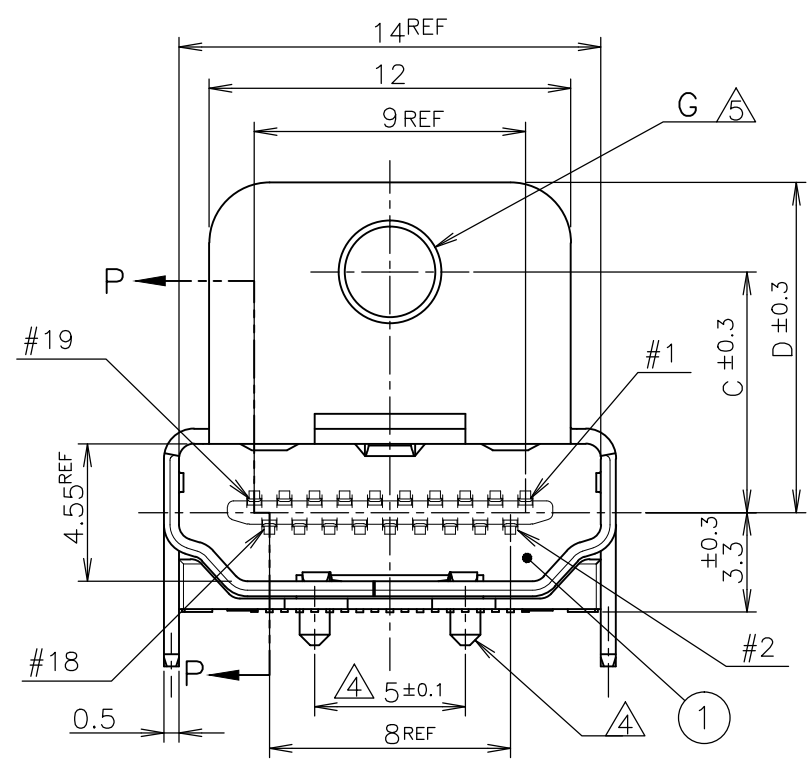
© COPYRIGHT 2005 By -

ALL RIGHTS RESERVED.

| LOC | DIST | REVISIONS | | | | | |
|-----|------|-----------|-----|-------------|------|-----|------|
| | | P | LTR | DESCRIPTION | DATE | DWN | APVD |
| J | / | - | - | SEE SHEET 1 | - | - | - |



P.C.B LAYOUT
 SHOWN AS CONNECTOR MOUNTING SIDE
 TOLERANCE: NON-CUMULATIVE
 (REFERENCE)



CONNECTOR WITH FLANGE TYPE

NOTICE: THIS COMMUNICATION INCLUDES TE CONNECTIVITY CONFIDENTIAL OR PROPRIETARY INFORMATION THAT MAY ALSO BE LEGALLY PRIVILEGED.

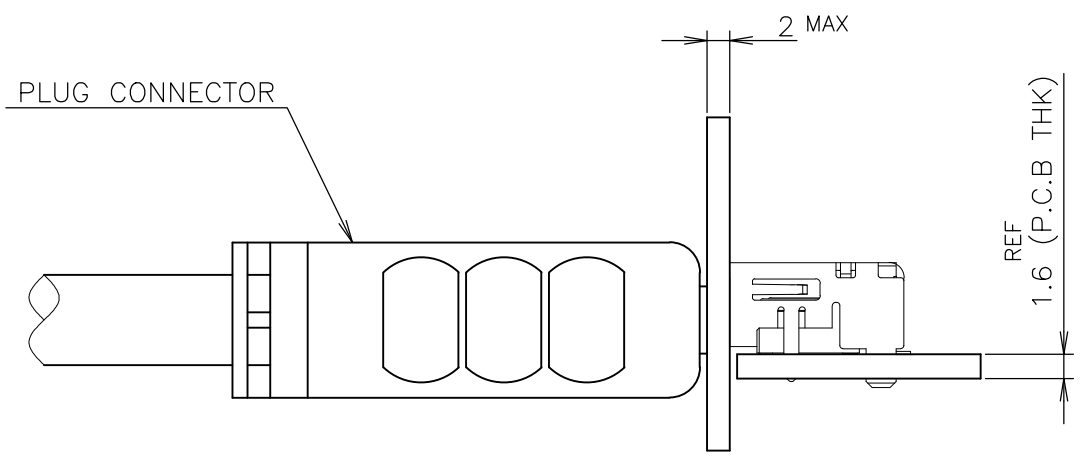
| FINISH | MATERIAL | QTY | DISCRIPTION | ITEM |
|--------|------------------------------------|-----|----------------|------|
| | POLYIMIDE | 1 | POLYIMIDE TAPE | ④ |
| | COPPER ALLOY | 19 | CONTACT | ③ |
| | COPPER ALLOY | 1 | SHELL | ② |
| | THERMOPLASTIC UL94V-0, BLACK COLOR | 1 | HOUSING | ① |

| | | | | |
|---|--|------------------|--------------------------|---------------|
| THIS DRAWING IS A CONTROLLED DOCUMENT. | | DWN | TE Connectivity | |
| DIMENSIONS: 單位: 耗 mm | | CHK | | |
| TOLERANCES UNLESS OTHERWISE SPECIFIED: 一般公差 | | APVD | NAME 名称 | |
| 0 PLC ± 0.2 | | PRODUCT SPEC | HDMI 19 POS | |
| 1 PLC ± 0.2 | | 製品規格 | RECEPTACLE ASSY SMT TYPE | |
| 2 PLC ± 0.2 | | APPLICATION SPEC | -LEAD FREE- | |
| 3 PLC ± 0.2 | | 取付適用規格 | SIZE | CAGE CODE |
| 4 PLC ± 0.2 | | WEIGHT | DRAWING NO | RESTRICTED TO |
| ANGLES ± | | CUSTOMER DRAWING | 番号 | |
| FINISH 仕上 | | | A300779 | 1747981 |
| | | SCALE 尺度 | NTS | SHEET 7 of 8 |
| | | | | REV F5 |

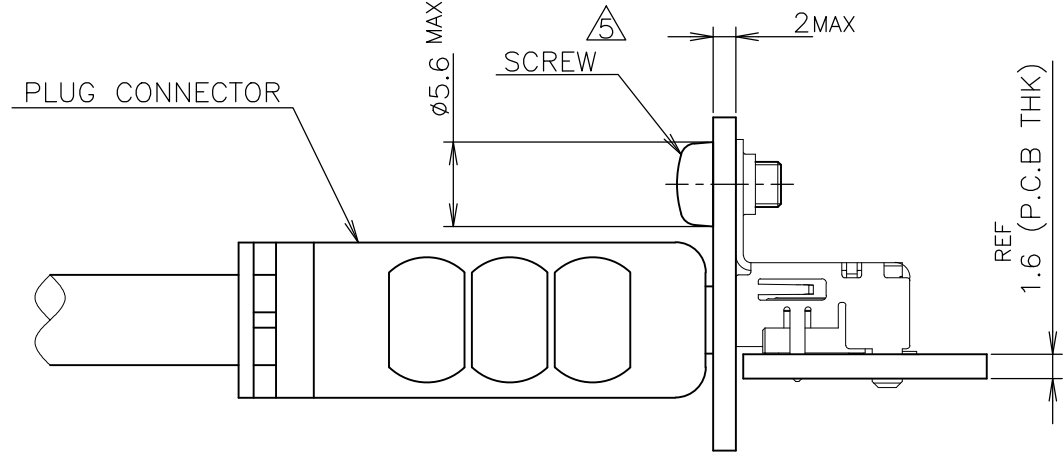
THIS DRAWING IS UNPUBLISHED. RELEASED FOR PUBLICATION SEP, 2005.
 © COPYRIGHT 2005 By - ALL RIGHTS RESERVED.

| LOC | DIST | REVISIONS | | | | | |
|-----|------|-----------|-----|-------------|------|-----|------|
| J | / | P | LTR | DESCRIPTION | DATE | DWN | APVD |
| | | - | | SEE SHEET 1 | - | - | - |

NOTICE: THIS COMMUNICATION INCLUDES TE CONNECTIVITY CONFIDENTIAL OR PROPRIETARY INFORMATION THAT MAY ALSO BE LEGALLY PRIVILEGED.



CONNECTOR WITHOUT FLANGE TYPE



CONNECTOR WITH FLANGE TYPE

MATING CONDITION (REFERENCE)
(SCALE 2:1)

| | | | | | | | |
|---|--|-------------------------|--|---------------|--|-------------|-----------------|
| THIS DRAWING IS A CONTROLLED DOCUMENT. | | DWN | TE Connectivity NAME 名称 HDMI 19 POS RECEPTACLE ASSY SMT TYPE -LEAD FREE- | | | | |
| DIMENSIONS: 单位: 耗 mm | | CHK | | | | APVD | RESTRICTED TO |
| TOLERANCES UNLESS OTHERWISE SPECIFIED: 一般公差 | | PRODUCT SPEC 製品規格 | | | | 108-78180-1 | |
| 0 PLC ± 0.2 1 PLC ± 0.2 2 PLC ± 0.2 3 PLC ± 0.2 4 PLC ± 0.2 ANGLES ± - | | APPLICATION SPEC 取付適用規格 | | | | SIZE A3 | CAGE CODE 00779 |
| MATERIAL 材料 | | WEIGHT | DRAWING NO 番号 | DRAWING NO 番号 | | | |
| FINISH 仕上 | | CUSTOMER DRAWING | | SCALE 尺度 2:1 | | | |
| | | | | SHEET 8 of 8 | | | |
| | | | | REV F5 | | | |

Компания «Life Electronics» занимается поставками электронных компонентов импортного и отечественного производства от производителей и со складов крупных дистрибьюторов Европы, Америки и Азии.

С конца 2013 года компания активно расширяет линейку поставок компонентов по направлению коаксиальный кабель, кварцевые генераторы и конденсаторы (керамические, пленочные, электролитические), за счёт заключения дистрибьюторских договоров

Мы предлагаем:

- Конкурентоспособные цены и скидки постоянным клиентам.
- Специальные условия для постоянных клиентов.
- Подбор аналогов.
- Поставку компонентов в любых объемах, удовлетворяющих вашим потребностям.
- Приемлемые сроки поставки, возможна ускоренная поставка.
- Доставку товара в любую точку России и стран СНГ.
- Комплексную поставку.
- Работу по проектам и поставку образцов.
- Формирование склада под заказчика.
- Сертификаты соответствия на поставляемую продукцию (по желанию клиента).
- Тестирование поставляемой продукции.
- Поставку компонентов, требующих военную и космическую приемку.
- Входной контроль качества.
- Наличие сертификата ISO.

В составе нашей компании организован Конструкторский отдел, призванный помогать разработчикам, и инженерам.

Конструкторский отдел помогает осуществить:

- Регистрацию проекта у производителя компонентов.
- Техническую поддержку проекта.
- Защиту от снятия компонента с производства.
- Оценку стоимости проекта по компонентам.
- Изготовление тестовой платы монтаж и пусконаладочные работы.



Тел: +7 (812) 336 43 04 (многоканальный)

Email: org@lifeelectronics.ru