

DATA SHEET

SKY13322-375LF: 20 MHz-6.0 GHz GaAs SP4T Switch

Applications

- Multiband telecommunications up to 6 GHz

Features

- Broadband frequency range: 20 MHz to 6.0 GHz
- Low insertion loss: 0.45 dB @ 1 GHz
- Very high isolation: 28 dB @ 1 GHz
- Excellent linearity performance: P1dB = +30 dBm @ 3.3 V
- Operating voltage range from 1.8 to 5.0 V
- Small, MLPD (10-pin, 2 x 3 mm) package (MSL1, 260 °C per JEDEC J-STD-020)

Description

The SKY13322-375LF is a GaAs FET I/C single-pole, four-throw (SP4T) switch. This general purpose switch is an ideal choice for a variety of multiband telecommunication applications up to 6 GHz.

The switch is manufactured in a compact, 2 x 3 mm, 10-pin exposed pad plastic Micro Leadframe Package Dual (MLPD) package.

A functional block diagram is shown in Figure 1. The pin configuration and package are shown in Figure 2. Signal pin assignments and functional pin descriptions are provided in Table 1.

NEW



Skyworks Green™ products are RoHS (Restriction of Hazardous Substances)-compliant, conform to the EIA/EICTA/JEITA Joint Industry Guide (JIG) Level A guidelines, are halogen free according to IEC-61249-2-21, and contain <1,000 ppm antimony trioxide in polymeric materials.

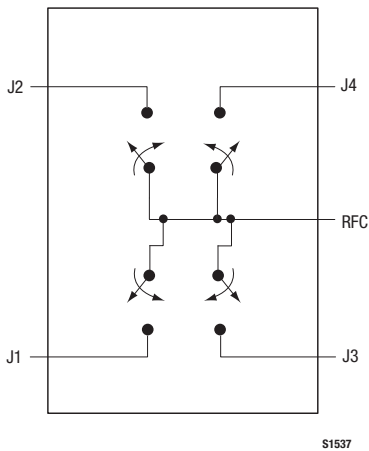


Figure 1. SKY13322-375LF Block Diagram

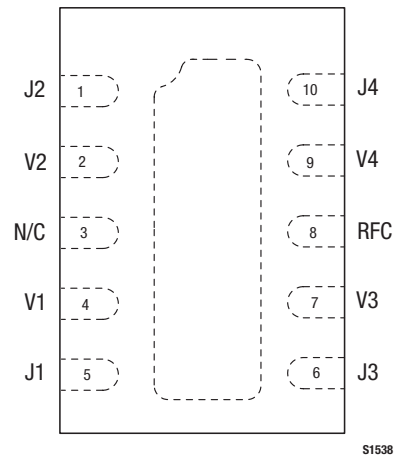


Figure 2. SKY13322-375LF Pinout – 10-Pin MLPD (Top View)

Table 1. SKY13322-375LF Signal Descriptions

| Pin # | Name | Description | Pin # | Name | Description |
|-------|------|--------------------|-------|------|--------------------------|
| 1 | J2 | RF output (Note 1) | 6 | J3 | RF output (Note 1) |
| 2 | V2 | DC control voltage | 7 | V3 | DC control voltage |
| 3 | N/C | No connection | 8 | RFC | RF common input (Note 1) |
| 4 | V1 | DC control voltage | 9 | V4 | DC control voltage |
| 5 | J1 | RF output (Note 1) | 10 | J4 | RF output (Note 1) |

Note 1: A 47 pF blocking capacitor is required for >1 GHz operation. Use larger value capacitors for lower frequency operation.

Table 2. SKY13322-375LF Absolute Maximum Ratings

| Parameter | Symbol | Minimum | Typical | Maximum | Units |
|-----------------------|------------------|---------|---------|---------|-------|
| Input power | P _{IN} | | +33 | | dBm |
| Voltage range | V _{CTL} | | 6 | | V |
| Storage temperature | T _{STG} | -65 | | +150 | °C |
| Operating temperature | T _{OP} | -40 | | +85 | °C |

Note: Exposure to maximum rating conditions for extended periods may reduce device reliability. There is no damage to device with only one parameter set at the limit and all other parameters set at or below their nominal value. Exceeding any of the limits listed here may result in permanent damage to the device.

CAUTION: Although this device is designed to be as robust as possible, Electrostatic Discharge (ESD) can damage this device. This device must be protected at all times from ESD. Static charges may easily produce potentials of several kilovolts on the human body or equipment, which can discharge without detection. Industry-standard ESD precautions should be used at all times.

Table 3. SKY13322-375LF Recommended Operating Conditions

| Parameter | Symbol | Minimum | Typical | Maximum | Units |
|------------------|--------------------|---------|---------|---------|-------|
| Frequency | f | 0.02 | | 6.0 | GHz |
| Control voltage: | | | | | |
| Low | V _{CTL_L} | 0 | | 0.2 | V |
| High | V _{CTL_H} | 1.8 | 3.3 | 5.0 | V |

Electrical and Mechanical Specifications

The absolute maximum ratings of the SKY13322-375LF are provided in Table 2. The recommended operating conditions are specified in Table 3 and electrical specifications are provided in Table 4.

Typical performance characteristics of the SKY13322-375LF are illustrated in Figures 3 through 8.

The state of the SKY13322-375LF is determined by the logic provided in Table 5.

Table 4. SKY13322-375LF Electrical Specifications (Note 1)**($V_{CTL} = 0\text{ V}$ and $+3.3\text{ V}$, $T_{OP} = +25\text{ }^{\circ}\text{C}$, $P_{IN} = 0\text{ dBm}$, Characteristic Impedance [Z_0] = $50\text{ }\Omega$, Unless Otherwise Noted)**

| Parameter | Symbol | Test Condition | Min | Typical | Max | Units |
|--|-----------------|---|-----|----------|------|---------------|
| Insertion loss | IL | 0.02-1.0 GHz | | 0.45 | 0.60 | dB |
| | | 1.0-2.5 GHz | | 0.60 | 0.75 | dB |
| | | 2.5-3.0 GHz | | 0.75 | 0.95 | dB |
| | | 3.0-4.0 GHz | | 1.00 | 1.25 | dB |
| | | 4.0-6.0 GHz | | 2.00 | | dB |
| Isolation | Iso | 0.02-1.0 GHz | 26 | 28 | | dB |
| | | 1.0-2.5 GHz | 23 | 26 | | dB |
| | | 2.5-3.0 GHz | 23 | 27 | | dB |
| | | 3.0-4.0 GHz | 23 | 27 | | dB |
| | | 4.0-6.0 GHz | | 18 | | dB |
| Return loss (insertion loss state) | | 0.02-1.0 GHz | 15 | 22 | | dB |
| | | 1.0-2.5 GHz | 15 | 22 | | dB |
| | | 2.5-3.0 GHz | 15 | 22 | | dB |
| | | 3.0-4.0 GHz | 10 | 13 | | dB |
| | | 4.0-6.0 GHz | | 7.5 | | dB |
| Switching characteristics: Rise/fall time | | 10/90% or 90/10% RF | | 60 | | ns |
| | | On/off time | | 60 | | ns |
| Video feedthrough | | | | 40 | | mV |
| 1 dB Input Compression Point | IP1dB | f = 0.9 GHz/2.45 GHz | | | | |
| | | $V_{CTL} = 0\text{ V}/1.8\text{ V}$, | | +21.0 | | dBm |
| | | $V_{CTL} = 0\text{ V}/2.7\text{ V}$ | | +27.5 | | dBm |
| | | $V_{CTL} = 0\text{ V}/3.3\text{ V}$ | | +30.0 | | dBm |
| 0.1 dB Input Compression Point | IP0.1dB | f = 0.9 GHz/2.45 GHz | | | | |
| | | $V_{CTL} = 0\text{ V}/1.8\text{ V}$, | | +17.5 | | dBm |
| | | $V_{CTL} = 0\text{ V}/2.7\text{ V}$ | | +24.5 | | dBm |
| | | $V_{CTL} = 0\text{ V}/3.3\text{ V}$ | | +27.0 | | dBm |
| Input IP3 | IIP3 | $P_{IN} = +15\text{ dBm}/\text{tone}$, tone spacing = 1 MHz | | | | |
| | | f = 0.9 GHz, | | +54 | | dBm |
| | | f = 2.45 GHz | | +51 | | dBm |
| | | | | | | |
| 2 nd harmonic | 2fo | $P_{IN} = +17\text{ dBm}$ | | | | |
| | | f = 0.9 GHz f = 2.45 GHz | | 76 70 | | dBc dBc |
| 3 rd harmonic | 3fo | $P_{IN} = +17\text{ dBm}$ | | | | |
| | | f = 0.9 GHz f = 2.45 GHz | | 70 65 | | dBc dBc |
| Supply current | I _{CC} | $V_{CTL} = 1.8\text{ V}$ to 5.0 V | | 5 | | μA |

Note 1: Performance is guaranteed only under the conditions listed in this Table.

Typical Performance Characteristics

($V_{CTL} = 0\text{ V}$ and $+3.3\text{ V}$, $T_{OP} = +25\text{ }^\circ\text{C}$, $P_{IN} = 0\text{ dBm}$, Characteristic Impedance [Z_0] = $50\text{ }\Omega$, Blocking Capacitors = 47 pF , Unless Otherwise Noted)

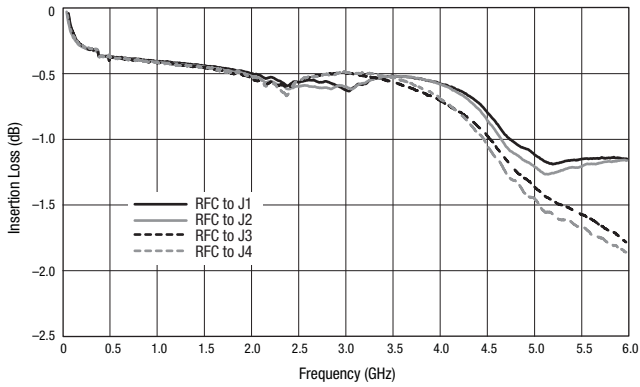


Figure 3. Insertion Loss vs Frequency

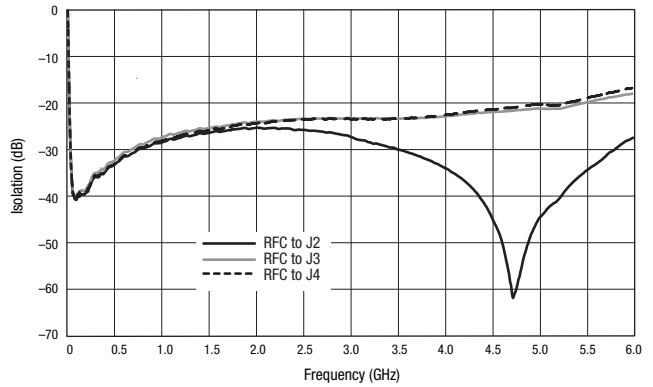


Figure 4. Isolation vs Frequency (RFC to J1 Insertion Loss State)

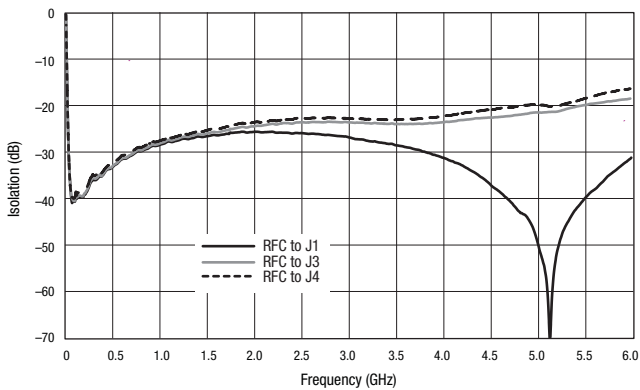


Figure 5. Isolation vs Frequency (RFC to J2 Insertion Loss State)

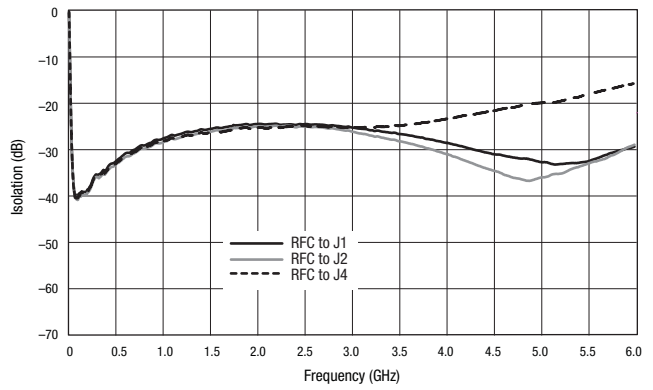


Figure 6. Isolation vs Frequency (RFC to J3 Insertion Loss State)

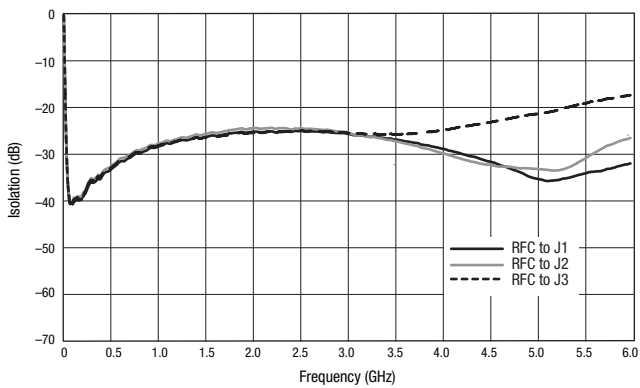


Figure 7. Isolation vs Frequency (RFC to J4 Insertion Loss State)

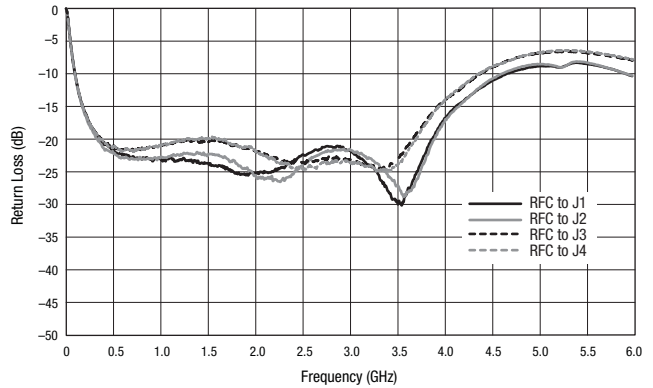


Figure 8. RFC Return Loss vs Frequency

Table 5. SKY13322-375LF Truth Table

| V1 (Pin 4) | V2 (Pin 2) | V3 (Pin 7) | V4 (Pin 9) | RFC to J1 | RFC to J2 | RFC to J3 | RFC to J4 |
|------------|------------|------------|------------|----------------|----------------|----------------|----------------|
| 1 | 0 | 0 | 0 | Insertion loss | Isolation | Isolation | Isolation |
| 0 | 1 | 0 | 0 | Isolation | Insertion loss | Isolation | Isolation |
| 0 | 0 | 1 | 0 | Isolation | Isolation | Insertion loss | Isolation |
| 0 | 0 | 0 | 1 | Isolation | Isolation | Isolation | Insertion loss |

Note: "1" = +1.8 V to +5 V. "0" = 0 V to +0.2 V. Any state other than described in this Table places the switch into an undefined state. An undefined state will not damage the device.

Evaluation Board Description

The SKY13322-375LF Evaluation Board is used to test the performance of the SKY13322-375LF SPDT Switch. An Evaluation Board schematic diagram is provided in Figure 9. An assembly drawing for the Evaluation Board is shown in Figure 10.

Package Dimensions

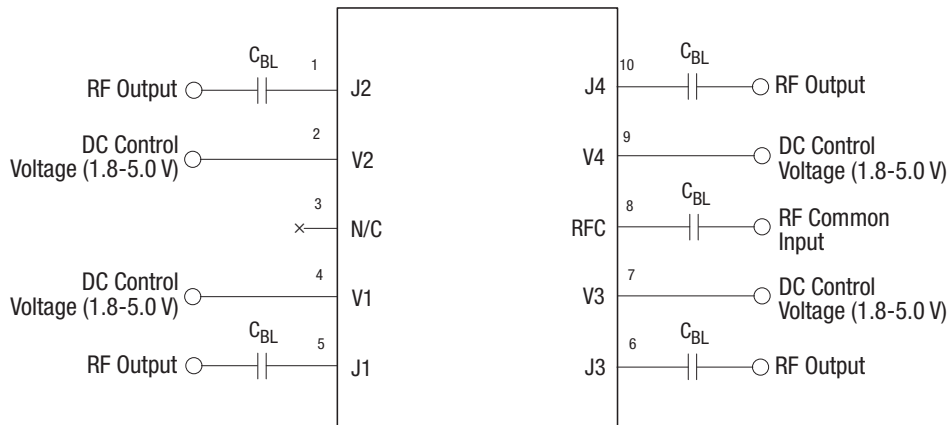
The PCB layout footprint for the SKY13322-375LF is provided in Figure 11. Typical case markings are shown in Figure 12. Package dimensions for the 10-pin MLPD are shown in Figure 13, and tape and reel dimensions are provided in Figure 14.

Package and Handling Information

Since the device package is sensitive to moisture absorption, it is baked and vacuum packed before shipping. Instructions on the shipping container label regarding exposure to moisture after the container seal is broken must be followed. Otherwise, problems related to moisture absorption may occur when the part is subjected to high temperature during solder assembly.

THE SKY13322-375LF is rated to Moisture Sensitivity Level 1 (MSL1) at 260 °C. It can be used for lead or lead-free soldering.

Care must be taken when attaching this product, whether it is done manually or in a production solder reflow environment. Production quantities of this product are shipped in a standard tape and reel format.

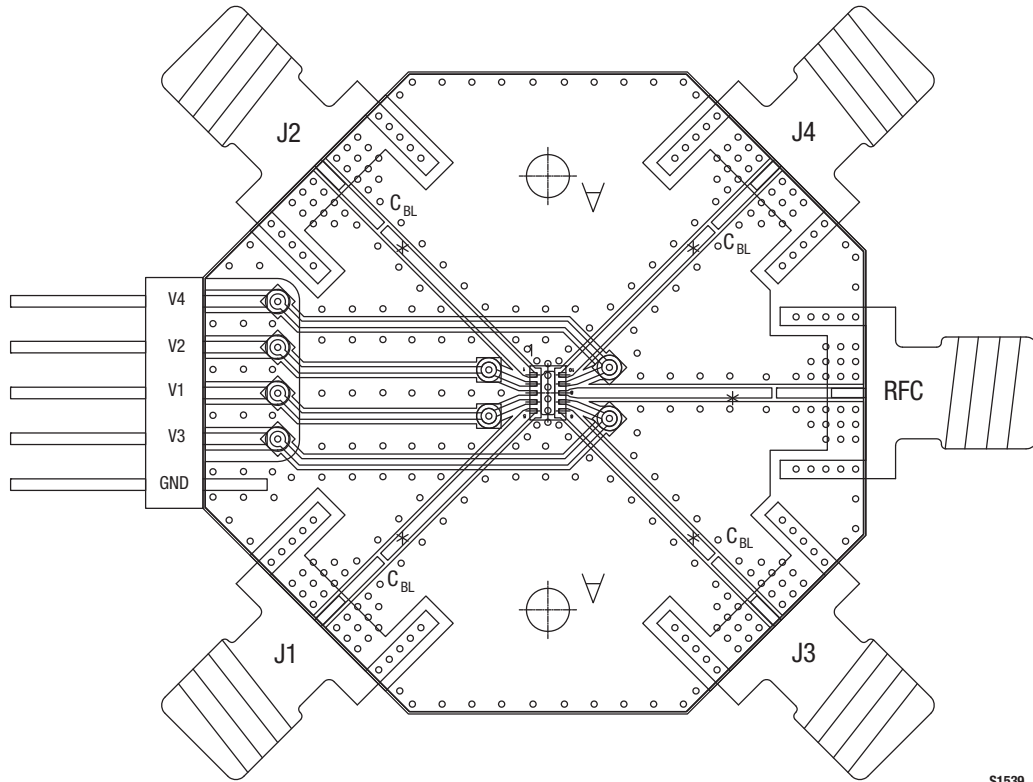


$C_{BL} = 47 \text{ pF}$ for >1 GHz operation.
Exposed ground paddle should be grounded for best performance.

Use 10 nF blocking capacitors (C_{BL}) for <50 MHz operation.

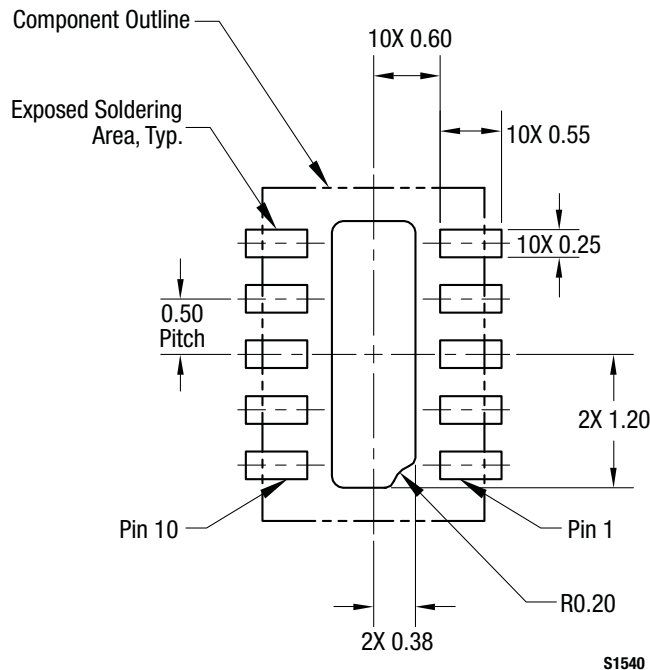
S1551

Figure 9. SKY13322-375LF Evaluation Board Schematic



S1539

Figure 10. SKY13322-375LF Evaluation Board Assembly Diagram



S1540

Figure 11. SKY13322-375LF PCB Layout Footprint (Top View)

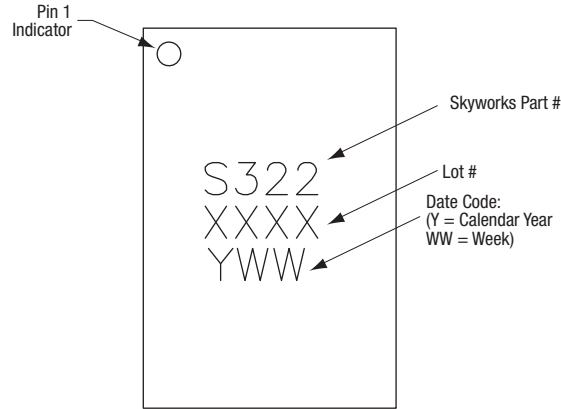
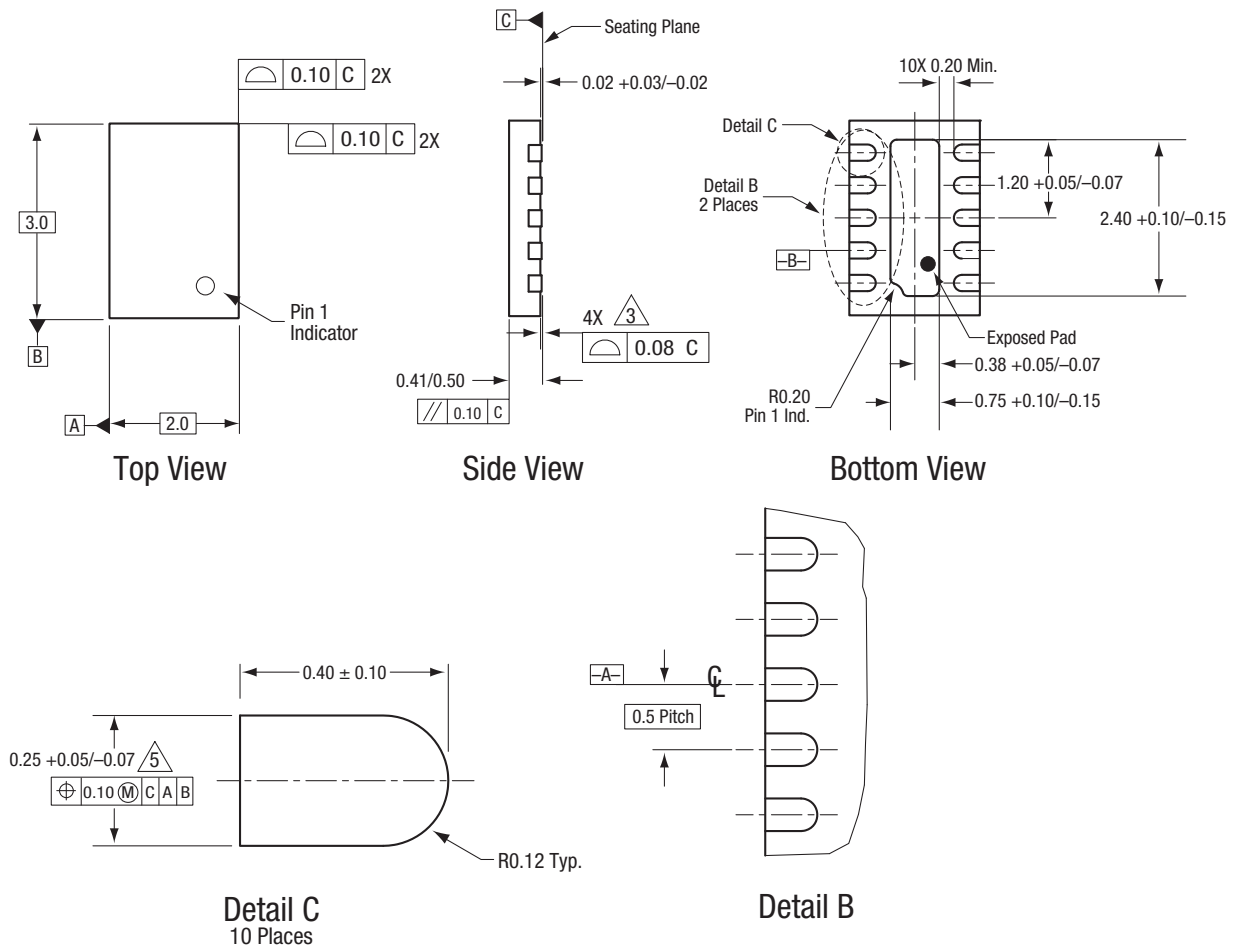


Figure 12. Typical Case Markings (Top View)



All measurements are in millimeters.
 Dimensioning and tolerancing according to ASME Y14.5M-1994.
 Coplanarity applies to the exposed heat sink slug as well as the terminals.
 Plating requirement per source control drawing (SCD) 2504.
 Dimension applies to metallized terminal and is measured between 0.15 mm and 0.30 mm from terminal tip.

S1541

Figure 13. SKY13322-375LF 6-Pin QFN Package Dimensions

Ordering Information

| Model Name | Manufacturing Part Number | Evaluation Kit Part Number |
|----------------------------|---------------------------|----------------------------|
| SKY13322-375LF SP4T Switch | SKY13322-375LF | SKY13322-375LF-EVB |

Copyright © 2009, 2010 Skyworks Solutions, Inc. All Rights Reserved.

Information in this document is provided in connection with Skyworks Solutions, Inc. ("Skyworks") products or services. These materials, including the information contained herein, are provided by Skyworks as a service to its customers and may be used for informational purposes only by the customer. Skyworks assumes no responsibility for errors or omissions in these materials or the information contained herein. Skyworks may change its documentation, products, services, specifications or product descriptions at any time, without notice. Skyworks makes no commitment to update the materials or information and shall have no responsibility whatsoever for conflicts, incompatibilities, or other difficulties arising from any future changes.

No license, whether express, implied, by estoppel or otherwise, is granted to any intellectual property rights by this document. Skyworks assumes no liability for any materials, products or information provided hereunder, including the sale, distribution, reproduction or use of Skyworks products, information or materials, except as may be provided in Skyworks Terms and Conditions of Sale.

THE MATERIALS, PRODUCTS AND INFORMATION ARE PROVIDED "AS IS" WITHOUT WARRANTY OF ANY KIND, WHETHER EXPRESS, IMPLIED, STATUTORY, OR OTHERWISE, INCLUDING FITNESS FOR A PARTICULAR PURPOSE OR USE, MERCHANTABILITY, PERFORMANCE, QUALITY OR NON-INFRINGEMENT OF ANY INTELLECTUAL PROPERTY RIGHT; ALL SUCH WARRANTIES ARE HEREBY EXPRESSLY DISCLAIMED. SKYWORKS DOES NOT WARRANT THE ACCURACY OR COMPLETENESS OF THE INFORMATION, TEXT, GRAPHICS OR OTHER ITEMS CONTAINED WITHIN THESE MATERIALS. SKYWORKS SHALL NOT BE LIABLE FOR ANY DAMAGES, INCLUDING BUT NOT LIMITED TO ANY SPECIAL, INDIRECT, INCIDENTAL, STATUTORY, OR CONSEQUENTIAL DAMAGES, INCLUDING WITHOUT LIMITATION, LOST REVENUES OR LOST PROFITS THAT MAY RESULT FROM THE USE OF THE MATERIALS OR INFORMATION, WHETHER OR NOT THE RECIPIENT OF MATERIALS HAS BEEN ADVISED OF THE POSSIBILITY OF SUCH DAMAGE.

Skyworks products are not intended for use in medical, lifesaving or life-sustaining applications, or other equipment in which the failure of the Skyworks products could lead to personal injury, death, physical or environmental damage. Skyworks customers using or selling Skyworks products for use in such applications do so at their own risk and agree to fully indemnify Skyworks for any damages resulting from such improper use or sale.

Customers are responsible for their products and applications using Skyworks products, which may deviate from published specifications as a result of design defects, errors, or operation of products outside of published parameters or design specifications. Customers should include design and operating safeguards to minimize these and other risks. Skyworks assumes no liability for applications assistance, customer product design, or damage to any equipment resulting from the use of Skyworks products outside of stated published specifications or parameters.

Skyworks, the Skyworks symbol, and "Breakthrough Simplicity" are trademarks or registered trademarks of Skyworks Solutions, Inc., in the United States and other countries. Third-party brands and names are for identification purposes only, and are the property of their respective owners. Additional information, including relevant terms and conditions, posted at www.skyworksinc.com, are incorporated by reference.

Компания «Life Electronics» занимается поставками электронных компонентов импортного и отечественного производства от производителей и со складов крупных дистрибьюторов Европы, Америки и Азии.

С конца 2013 года компания активно расширяет линейку поставок компонентов по направлению коаксиальный кабель, кварцевые генераторы и конденсаторы (керамические, пленочные, электролитические), за счёт заключения дистрибьюторских договоров

Мы предлагаем:

- Конкурентоспособные цены и скидки постоянным клиентам.
- Специальные условия для постоянных клиентов.
- Подбор аналогов.
- Поставку компонентов в любых объемах, удовлетворяющих вашим потребностям.
- Приемлемые сроки поставки, возможна ускоренная поставка.
- Доставку товара в любую точку России и стран СНГ.
- Комплексную поставку.
- Работу по проектам и поставку образцов.
- Формирование склада под заказчика.
- Сертификаты соответствия на поставляемую продукцию (по желанию клиента).
- Тестирование поставляемой продукции.
- Поставку компонентов, требующих военную и космическую приемку.
- Входной контроль качества.
- Наличие сертификата ISO.

В составе нашей компании организован Конструкторский отдел, призванный помогать разработчикам, и инженерам.

Конструкторский отдел помогает осуществить:

- Регистрацию проекта у производителя компонентов.
- Техническую поддержку проекта.
- Защиту от снятия компонента с производства.
- Оценку стоимости проекта по компонентам.
- Изготовление тестовой платы монтаж и пусконаладочные работы.



Тел: +7 (812) 336 43 04 (многоканальный)

Email: org@lifeelectronics.ru