



# Low-Power, +3V/+5V, 400MHz Single-Supply Op Amps with Rail-to-Rail Outputs

MAX4414-MAX4419

## General Description

The MAX4414–MAX4419 operational amplifiers combine high-speed performance, low distortion, and ultra-low supply current. Consuming just 1.6mA of supply current per amplifier, these devices operate from a single +2.7V to +5.5V supply, have Rail-to-Rail® outputs, and exhibit a common-mode input voltage range that extends from 100mV below ground to within 1.5V of the positive supply rail.

The MAX4414/MAX4416/MAX4418 single/dual/quad op amps are unity-gain stable and achieve a 400MHz -3dB bandwidth with a 200V/μs slew rate. The MAX4415/MAX4417/MAX4419 single/dual/quad op amps are compensated for closed-loop gains of +5V/V or greater and achieve a 150MHz -3dB bandwidth with a 470V/μs slew rate. The combination of high-speed, ultra-low power, and low-distortion makes the MAX4414–MAX4419 ideal for low-power/low-voltage, high-speed portable systems such as video, communications, and instrumentation.

The MAX4414/MAX4415 single and MAX4416/MAX4417 dual amplifiers are available in space-saving 8-pin μMAX and SO packages, while the MAX4418/MAX4419 quad amplifiers are available in a 14-pin TSSOP package.

## Applications

Battery-Powered Instruments  
 Portable Communications  
 Keyless Entry Systems  
 Cellular Telephones  
 Video Line Drivers  
 Baseband Applications

## Selector Guide

| PART    | NO. OF AMPS | MINIMUM GAIN (V/V) | -3dB BANDWIDTH (MHz) | SLEW RATE (V/μs) |
|---------|-------------|--------------------|----------------------|------------------|
| MAX4414 | 1           | 1                  | 400                  | 200              |
| MAX4415 | 1           | 5                  | 150                  | 470              |
| MAX4416 | 2           | 1                  | 400                  | 200              |
| MAX4417 | 2           | 5                  | 150                  | 470              |
| MAX4418 | 4           | 1                  | 400                  | 200              |
| MAX4419 | 4           | 5                  | 150                  | 470              |

Rail-to-Rail is a registered trademark of Nippon Motorola, Ltd.  
 Pin Configurations appear at end of data sheet.

## Features

- ◆ Ultra-Low 1.6mA Supply Current
- ◆ Single +3V/+5V Operation
- ◆ High Speed
  - 400MHz -3dB Bandwidth (MAX4414/MAX4416/MAX4418)
  - 200V/μs Slew Rate (MAX4414/MAX4416/MAX4418)
  - 150MHz -3dB Bandwidth (MAX4415/MAX4417/MAX4419)
  - 470V/μs Slew Rate (MAX4415/MAX4417/MAX4419)
- ◆ Rail-to-Rail Outputs
- ◆ Input Common-Mode Range Extends Beyond V<sub>EE</sub>
- ◆ Low Differential Gain/Phase: 0.03%/0.15°
- ◆ Low Distortion at 5MHz (MAX4414/MAX4416/MAX4418)
  - 93dBc SFDR
  - 0.003% Total Harmonic Distortion
- ◆ Low Cost

## Ordering Information

| PART       | TEMP. RANGE    | PIN-PACKAGE |
|------------|----------------|-------------|
| MAX4414EUA | -40°C to +85°C | 8 μMAX      |
| MAX4414ESA | -40°C to +85°C | 8 SO        |
| MAX4415EUA | -40°C to +85°C | 8 μMAX      |
| MAX4415ESA | -40°C to +85°C | 8 SO        |

Ordering information continued at end of data sheet.

## Typical Operating Characteristics



# Low-Power, +3V/+5V, 400MHz Single-Supply Op Amps with Rail-to-Rail Outputs

## ABSOLUTE MAXIMUM RATINGS

|   |  |   |                 |
|---|--|---|-----------------|
| Supply Voltage ( $V_{CC}$ to $V_{EE}$ ).....                | +6V  | Operating Temperature Range .....       | -40°C to +85°C  |
| Differential Input Voltage .....                            | ±2.5V                                      | Junction Temperature .....              | +150°C          |
| $IN_-$ , $IN_+$ , $OUT_+$ .....                             | ( $V_{CC} + 0.3V$ ) to ( $V_{EE} - 0.3V$ ) | Storage Temperature Range .....         | -65°C to +150°C |
| Current into Input Pins .....                               | ±20mA                                      | Lead Temperature (soldering, 10s) ..... | +300°C          |
| Output Short-Circuit Duration to $V_{CC}$ or $V_{EE}$ ..... | Continuous                                 |   |                 |
| Continuous Power Dissipation ( $T_A = +70^\circ C$ )        |  |   |                 |
| 8-Pin $\mu$ MAX (derate 4.5mW/°C above +70°C) .....         | 362mW                                      |   |                 |
| 8-Pin SO (derate 5.9mW/°C above +70°C).....                 | 471mW                                      |   |                 |
| 14-Pin TSSOP (derate 9.1mW/°C above +70°C) .....            | 727mW                                      |   |                 |

Stresses beyond those listed under "Absolute Maximum Ratings" may cause permanent damage to the device. These are stress ratings only, and functional operation of the device at these or any other conditions beyond those indicated in the operational sections of the specifications is not implied. Exposure to absolute maximum rating conditions for extended periods may affect device reliability.

## DC ELECTRICAL CHARACTERISTICS

( $V_{CC} = +2.7V$  to  $+5.5V$ ,  $V_{CM} = V_{CC}/2 - 0.75V$ ,  $V_{EE} = 0$ ,  $R_L = \infty$  to  $V_{CC}/2$ ,  $V_{OUT} = V_{CC}/2$ ,  $T_A = T_{MIN}$  to  $T_{MAX}$ , unless otherwise noted. Typical values are at  $T_A = +25^\circ C$ .) (Note 1)

| PARAMETER                                | SYMBOL     | CONDITIONS  | MIN   | TYP | MAX            | UNITS            |
|--|------------|---|---|-----|----------------|------------------|
| Operating Supply Voltage Range           | $V_S$      | Guaranteed by PSRR test   | 2.7   |     | 5.5            | V                |
| Quiescent Supply Current (per Amplifier) | $I_S$      | $V_{CC} = +5V$  |   | 1.6 | 3              | mA               |
|  |            | $V_{CC} = +3V$  |   | 1.4 | 2.6            |                  |
| Input Common-Mode Voltage Range          | $V_{CM}$   | Guaranteed by CMRR test   | $V_{EE} - 0.1$  |     | $V_{CC} - 1.5$ | V                |
| Input Offset Voltage                     | $V_{OS}$   |   |   | 0.5 | 6              | mV               |
| Input Offset Voltage Temperature         | $TC_{VOS}$ |   |   | 3   |                | $\mu V/^\circ C$ |
| Input Offset Voltage Matching            |            | MAX4416-MAX4419   |   | ±1  |                | mV               |
| Input Bias Current                       | $I_B$      |   |   | 1.3 | 4              | $\mu A$          |
| Input Offset Current                     | $I_{OS}$   |   |   | 0.1 | 0.7            | $\mu A$          |
| Input Resistance                         | $R_{IN}$   | Differential mode,<br>$-0.04V \leq (V_{IN+} - V_{IN-}) \leq +0.04V$ |   | 60  |                | k $\Omega$       |
|  |            | Common mode,<br>$V_{EE} - 0.1V < V_{CM} < V_{CC} - 1.5V$            |   | 16  |                | M $\Omega$       |
| Common-Mode Rejection Ratio              | CMRR       | $V_{EE} - 0.1V < V_{CM} < V_{CC} - 1.5V$                            | 65  | 94  |                | dB               |
| Open-Loop Gain                           | AVOL       | $V_{CC} = +5V$  | $+0.2V \leq V_{OUT} \leq +4.8V$ , $R_L = 10k\Omega$               | 78  | 93             | dB               |
|  |            |   | $+0.4V \leq V_{OUT} \leq +4.6V$ , $R_L = 1k\Omega$                | 68  | 80             |                  |
|  |            |   | $+0.3V \leq V_{OUT} \leq +4.4V$ ,<br>$R_L = 1k\Omega$ to $V_{EE}$ | 66  | 80             |                  |
|  |            |   | $+1V \leq V_{OUT} \leq +4V$ , $R_L = 150\Omega$                   |     | 65             |                  |
|  |            | $V_{CC} = +3V$  | $+0.2V \leq V_{OUT} \leq +2.8V$ , $R_L = 10k\Omega$               | 75  | 90             |                  |
|  |            |   | $+0.25V \leq V_{OUT} \leq +2.75V$ , $R_L = 1k\Omega$              | 65  | 78             |                  |
|  |            |   | $+0.2V \leq V_{OUT} \leq +2.5V$ ,<br>$R_L = 1k\Omega$ to $V_{EE}$ | 63  | 75             |                  |
|  |            |   | $+0.5V \leq V_{OUT} \leq +2.5V$ , $R_L = 150\Omega$               |     | 62             |                  |

# Low-Power, +3V/+5V, 400MHz Single-Supply Op Amps with Rail-to-Rail Outputs

MAX4414-MAX4419

## DC ELECTRICAL CHARACTERISTICS (continued)

( $V_{CC} = +2.7V$  to  $+5.5V$ ,  $V_{CM} = V_{CC}/2 - 0.75V$ ,  $V_{EE} = 0$ ,  $R_L = \infty$  to  $V_{CC}/2$ ,  $V_{OUT} = V_{CC}/2$ ,  $T_A = T_{MIN}$  to  $T_{MAX}$ , unless otherwise noted. Typical values are at  $T_A = +25^\circ C$ .) (Note 1)

| PARAMETER                    | SYMBOL    | CONDITIONS   |                   | MIN               | TYP      | MAX   | UNITS |
|------------------------------|-----------|--|-------------------|-------------------|----------|-------|-------|
| Output Voltage Swing         | $V_{OUT}$ | $V_{CC} = +5V$   | $R_L = 10k\Omega$ | $V_{CC} - V_{OH}$ | 0.085    | 0.375 | V     |
|                              |           |  |                   | $V_{OL} - V_{EE}$ | 0.015    | 0.100 |       |
|                              |           |  | $R_L = 1k\Omega$  | $V_{CC} - V_{OH}$ | 0.105    | 0.400 |       |
|                              |           |  |                   | $V_{OL} - V_{EE}$ | 0.035    | 0.125 |       |
|                              |           |  | $R_L = 150\Omega$ | $V_{CC} - V_{OH}$ | 0.385    |       |       |
|                              |           |  |                   | $V_{OL} - V_{EE}$ | 0.150    |       |       |
|                              |           | $V_{CC} = +3V$   | $R_L = 10k\Omega$ | $V_{CC} - V_{OH}$ | 0.060    | 0.365 |       |
|                              |           |  |                   | $V_{OL} - V_{EE}$ | 0.010    | 0.090 |       |
|                              |           |  | $R_L = 1k\Omega$  | $V_{CC} - V_{OH}$ | 0.075    | 0.390 |       |
|                              |           |  |                   | $V_{OL} - V_{EE}$ | 0.025    | 0.115 |       |
|                              |           |  | $R_L = 150\Omega$ | $V_{CC} - V_{OH}$ | 0.275    |       |       |
|                              |           |  |                   | $V_{OL} - V_{EE}$ | 0.070    |       |       |
| Output Current               | $I_{OUT}$ | $R_L = 20\Omega$ connected to $V_{CC}$ or $V_{EE}$ ,<br>$V_{CC} = +5V$ |                   | $\pm 25$          | $\pm 75$ |       | mA    |
| Output Short-Circuit Current | $I_{SC}$  | Sinking or sourcing  |                   |                   | $\pm 85$ |       | mA    |
| Power-Supply Rejection Ratio | PSRR      | $V_{CC} = +2.7V$ to $+5.5V$ , $V_{CM} = 0$ , $V_{OUT} = 2V$            |                   | 60                | 77       |       | dB    |

## AC ELECTRICAL CHARACTERISTICS

( $V_{CC} = +5V$ ,  $V_{EE} = 0$ ,  $V_{CM} = +1.75V$ ,  $R_L = 1k\Omega$  connected to  $V_{CC}/2$ ,  $C_L = 5pF$ ,  $A_{VCL} = +1V/V$ ,  $T_A = +25^\circ C$ , unless otherwise noted.)

| PARAMETER                    | SYMBOL       | CONDITIONS           |  | MIN | TYP | MAX | UNITS |
|------------------------------|--------------|----------------------|--|-----|-----|-----|-------|
| Small Signal -3dB Bandwidth  | $BW_{SS}$    | $V_{OUT} = 100mVp-p$ | MAX4414/MAX4416/<br>MAX4418, $A_V = +1V/V$ |     | 400 |     | MHz   |
|                              |              |                      | MAX4415/MAX4417/<br>MAX4419, $A_V = +5V/V$ |     | 150 |     |       |
| Large Signal -3dB Bandwidth  | $BW_{LS}$    | $V_{OUT} = 2Vp-p$    | MAX4414/MAX4416/<br>MAX4418, $A_V = +1V/V$ |     | 32  |     | MHz   |
|                              |              |                      | MAX4415/MAX4417/<br>MAX4419, $A_V = +5V/V$ |     | 75  |     |       |
| Bandwidth for 0.1dB Flatness | $BW_{0.1dB}$ | $V_{OUT} = 100mVp-p$ | MAX4414/MAX4416/<br>MAX4418, $A_V = +1V/V$ |     | 43  |     | MHz   |
|                              |              |                      | MAX4415/MAX4417/<br>MAX4419, $A_V = +5V/V$ |     | 16  |     |       |
|                              |              | $V_{OUT} = 2Vp-p$    | MAX4414/MAX4416/<br>MAX4418, $A_V = +1V/V$ |     | 22  |     |       |
|                              |              |                      | MAX4415/MAX4417/<br>MAX4419, $A_V = +5V/V$ |     | 28  |     |       |

# Low-Power, +3V/+5V, 400MHz Single-Supply Op Amps with Rail-to-Rail Outputs

## AC ELECTRICAL CHARACTERISTICS (continued)

( $V_{CC} = +5V$ ,  $V_{EE} = 0$ ,  $V_{CM} = +1.75V$ ,  $R_L = 1k\Omega$  connected to  $V_{CC}/2$ ,  $C_L = 5pF$ ,  $A_{VCL} = +1V/V$ ,  $T_A = +25^\circ C$ , unless otherwise noted.)

| PARAMETER                   | SYMBOL      | CONDITIONS                         |  | MIN | TYP | MAX | UNITS      |
|-----------------------------|-------------|------------------------------------|--|-----|-----|-----|------------|
| Slew Rate                   | SR          | $V_{OUT} = 2V$ step                | MAX4414/MAX4416/<br>MAX4418, $A_V = +1V/V$                           |     | 200 |     | V/ $\mu s$ |
|                             |             |                                    | MAX4415/MAX4417/<br>MAX4419, $A_V = +5V/V$                           |     | 470 |     |            |
| Rise/Fall Time              | $t_R, t_F$  | $V_{OUT} = 2V$ step,<br>10% to 90% | MAX4414/MAX4416/<br>MAX4418, $A_V = +1V/V$                           |     | 14  |     | ns         |
|                             |             |                                    | MAX4415/MAX4417/<br>MAX4419, $A_V = +5V/V$                           |     | 5   |     |            |
| Settling Time               | $t_S 1\%$   | $V_{OUT} = 2V$ step                | MAX4414/MAX4416/<br>MAX4418, $A_V = +1V/V$                           |     | 100 |     | ns         |
|                             |             |                                    | MAX4415/MAX4417/<br>MAX4419, $A_V = +5V/V$                           |     | 120 |     |            |
|                             | $t_S 0.1\%$ | $V_{OUT} = 2V$ step                | MAX4414/MAX4416/<br>MAX4418, $A_V = +1V/V$                           |     | 150 |     |            |
|                             |             |                                    | MAX4415/MAX4417/<br>MAX4419, $A_V = +5V/V$                           |     | 160 |     |            |
| Spurious-Free Dynamic Range | SFDR        | $V_{CC} = +5V$ ,<br>$f_C = 5MHz$   | MAX4414/MAX4416/<br>MAX4418, $A_V = +1V/V$ ,<br>$V_{OUT} = 1V_{p-p}$ |     | -84 |     | dBc        |
|                             |             |                                    | MAX4415/MAX4417/<br>MAX4419, $A_V = +5V/V$ ,<br>$V_{OUT} = 2V_{p-p}$ |     | -76 |     |            |
|                             |             | $V_{CC} = +3V$ ,<br>$f_C = 5MHz$   | MAX4414/MAX4416/<br>MAX4418, $A_V = +1V/V$ ,<br>$V_{OUT} = 1V_{p-p}$ |     | -93 |     |            |
|                             |             |                                    | MAX4415/MAX4417/<br>MAX4419, $A_V = +5V/V$ ,<br>$V_{OUT} = 2V_{p-p}$ |     | -79 |     |            |

# Low-Power, +3V/+5V, 400MHz Single-Supply Op Amps with Rail-to-Rail Outputs

**MAX4414-MAX4419**

## AC ELECTRICAL CHARACTERISTICS (continued)

( $V_{CC} = +5V$ ,  $V_{EE} = 0$ ,  $V_{CM} = +1.75V$ ,  $R_L = 1k\Omega$  connected to  $V_{CC}/2$ ,  $C_L = 5pF$ ,  $A_{VCL} = +1V/V$ ,  $T_A = +25^\circ C$ , unless otherwise noted.)

| PARAMETER                           | SYMBOL | CONDITIONS                       |   | MIN | TYP | MAX | UNITS |
|-------------------------------------|--------|----------------------------------|---|-----|-----|-----|-------|
| 2 <sup>nd</sup> Harmonic Distortion | SFDR   | $V_{CC} = +5V$ ,<br>$f_C = 5MHz$ | MAX4414/MAX4416/<br>MAX4418, $A_V = +1V/V$ ,<br>$V_{OUT} = 1Vp-p$ |     | -84 |     | dBc   |
|                                     |        |                                  | MAX4415/MAX4417/<br>MAX4419, $A_V = +5V/V$ ,<br>$V_{OUT} = 2Vp-p$ |     | -76 |     |       |
|                                     |        | $V_{CC} = +3V$ ,<br>$f_C = 5MHz$ | MAX4414/MAX4416/<br>MAX4418, $A_V = +1V/V$ ,<br>$V_{OUT} = 1Vp-p$ |     | -93 |     |       |
|                                     |        |                                  | MAX4415/MAX4417/<br>MAX4419, $A_V = +5V/V$ ,<br>$V_{OUT} = 2Vp-p$ |     | -65 |     |       |
| 3 <sup>rd</sup> Harmonic Distortion | SFDR   | $V_{CC} = +5V$ ,<br>$f_C = 5MHz$ | MAX4414/MAX4416/<br>MAX4418, $A_V = +1V/V$ ,<br>$V_{OUT} = 1Vp-p$ |     | -95 |     | dBc   |
|                                     |        |                                  | MAX4415/MAX4417/<br>MAX4419, $A_V = +5V/V$ ,<br>$V_{OUT} = 2Vp-p$ |     | -80 |     |       |
|                                     |        | $V_{CC} = +3V$ ,<br>$f_C = 5MHz$ | MAX4414/MAX4416/<br>MAX4418, $A_V = +1V/V$ ,<br>$V_{OUT} = 1Vp-p$ |     | -95 |     |       |
|                                     |        |                                  | MAX4415/MAX4417/<br>MAX4419, $A_V = +5V/V$ ,<br>$V_{OUT} = 2Vp-p$ |     | -67 |     |       |

# Low-Power, +3V/+5V, 400MHz Single-Supply Op Amps with Rail-to-Rail Outputs

## AC ELECTRICAL CHARACTERISTICS (continued)

( $V_{CC} = +5V$ ,  $V_{EE} = 0$ ,  $V_{CM} = +1.75V$ ,  $R_L = 1k\Omega$  connected to  $V_{CC}/2$ ,  $C_L = 5pF$ ,  $A_{VCL} = +1V/V$ ,  $T_A = +25^\circ C$ , unless otherwise noted.)

| PARAMETER  | SYMBOL | CONDITIONS                       |   | MIN | TYP   | MAX | UNITS   |
|--|--------|----------------------------------|---|-----|-------|-----|---------|
| Total Harmonic Distortion                        | SFDR   | $V_{CC} = +5V$ ,<br>$f_C = 5MHz$ | MAX4414/MAX4416/<br>MAX4418, $A_V = +1V/V$ ,<br>$V_{OUT} = 1Vp-p$ |     | 0.007 |     | %       |
|  |        |                                  | MAX4415/MAX4417/<br>MAX4419, $A_V = +5V/V$ ,<br>$V_{OUT} = 2Vp-p$ |     | 0.02  |     |         |
|  |        | $V_{CC} = +3V$ ,<br>$f_C = 5MHz$ | MAX4414/MAX4416/<br>MAX4418, $A_V = +1V/V$ ,<br>$V_{OUT} = 1Vp-p$ |     | 0.003 |     |         |
|  |        |                                  | MAX4415/MAX4417/<br>MAX4419, $A_V = +5V/V$ ,<br>$V_{OUT} = 2Vp-p$ |     | 0.01  |     |         |
| Two-Tone, Third-Order Intermodulation Distortion | IP3    | $f_C = 10MHz$ , $f_2 = 9.9MHz$   |   |     | -67   |     | dBc     |
| Differential Gain Error                          | DG     | $R_L = 150\Omega$ , NTSC         | MAX4414/MAX4416/<br>MAX4418, $A_V = +1V/V$                        |     | 0.03  |     | %       |
|  |        |                                  | MAX4414/MAX4416/<br>MAX4418, $A_V = +2V/V$                        |     | 0.04  |     |         |
|  |        |                                  | MAX4415/MAX4417/<br>MAX4419, $A_V = +5V/V$                        |     | 0.05  |     |         |
| Differential Phase Error                         | DP     | $R_L = 150\Omega$ , NTSC         | MAX4414/MAX4416/<br>MAX4418, $A_V = +1V/V$                        |     | 0.15  |     | degrees |
|  |        |                                  | MAX4414/MAX4416/<br>MAX4418, $A_V = +2V/V$                        |     | 0.25  |     |         |
|  |        |                                  | MAX4415/MAX4417/<br>MAX4419, $A_V = +5V/V$                        |     | 0.35  |     |         |

# Low-Power, +3V/+5V, 400MHz Single-Supply Op Amps with Rail-to-Rail Outputs

MAX4414-MAX4419

## AC ELECTRICAL CHARACTERISTICS (continued)

( $V_{CC} = +5V$ ,  $V_{EE} = 0$ ,  $V_{CM} = +1.75V$ ,  $R_L = 1k\Omega$  connected to  $V_{CC}/2$ ,  $C_L = 5pF$ ,  $A_{VCL} = +1V/V$ ,  $T_A = +25^\circ C$ , unless otherwise noted.)

| PARAMETER                          | SYMBOL     | CONDITIONS  | MIN | TYP | MAX | UNITS          |
|------------------------------------|------------|---|-----|-----|-----|----------------|
| Gain Matching                      |            | MAX4416-MAX4419,<br>$V_{OUT} = 100mVp-p$ , $f \leq 10MHz$ |     | 0.1 |     | dB             |
| Phase Matching                     |            | MAX4416-MAX4419,<br>$V_{OUT} = 100mVp-p$ , $f \leq 10MHz$ |     | 0.1 |     | degrees        |
| Input Noise-Voltage Density        | $e_n$      | $f = 10kHz$   |     | 10  |     | $nV/\sqrt{Hz}$ |
| Input Noise-Current Density        | $I_n$      | $f = 10kHz$   |     | 0.6 |     | $pA/\sqrt{Hz}$ |
| Input Capacitance                  | $C_{IN}$   |   |     | 1.8 |     | pF             |
| Output Impedance                   | $Z_{OUT}$  | $f = 1MHz$  |     | 0.5 |     | $\Omega$       |
| Capacitive Load Drive              |            | No sustained oscillations                                 |     | 120 |     | pF             |
| Power-Up 1% Settling Time (Note 2) |            |   |     | 1.2 | 100 | $\mu s$        |
| Crosstalk                          | $X_{TALK}$ | MAX4416-MAX4419, $f = 10MHz$ ,<br>$V_{OUT} = 2Vp-p$       |     | -72 |     | dB             |

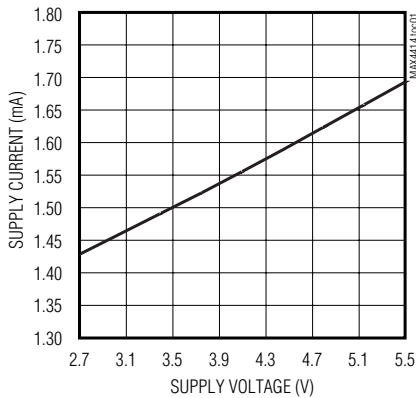
**Note 1:** All devices are 100% production tested at  $T_A = +25^\circ C$ . Specifications over temperature are guaranteed by design.

**Note 2:** Guaranteed by design.

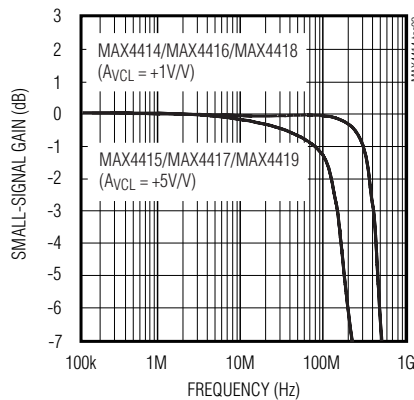
## Typical Operating Characteristics

( $V_{CC} = +5V$ ,  $V_{EE} = 0$ ,  $V_{CM} = +1.75V$ ,  $A_{VCL} = +1V/V$  (MAX4414/MAX4416/MAX4418),  $A_{VCL} = +5V/V$  (MAX4415/MAX4417/MAX4419),  $R_L = 1k\Omega$  to  $V_{CC}/2$ ,  $C_L = 5pF$ ,  $T_A = +25^\circ C$ , unless otherwise noted.)

**SUPPLY CURRENT vs. SUPPLY VOLTAGE (PER AMPLIFIER)**



**SMALL-SIGNAL GAIN vs. FREQUENCY**



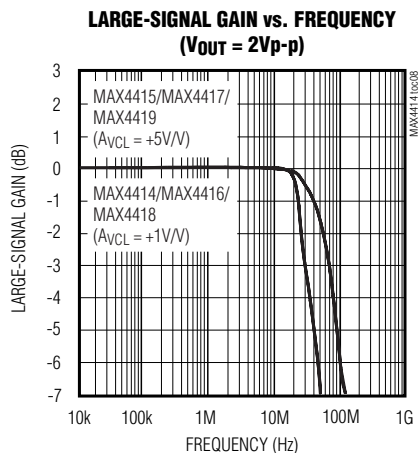
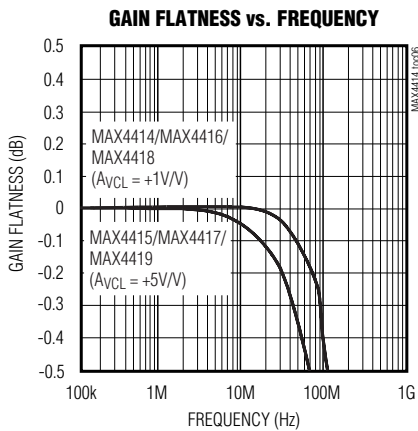
**MAX4414/MAX4416/MAX4418  
SMALL-SIGNAL GAIN WITH  
CAPACITIVE LOAD vs. FREQUENCY**



# Low-Power, +3V/+5V, 400MHz Single-Supply Op Amps with Rail-to-Rail Outputs

## Typical Operating Characteristics (continued)

( $V_{CC} = +5V$ ,  $V_{EE} = 0$ ,  $V_{CM} = +1.75V$ ,  $A_{VCL} = +1V/V$  (MAX4414/MAX4416/MAX4418),  $A_{VCL} = +5V/V$  (MAX4415/MAX4417/MAX4419),  $R_L = 1k\Omega$  to  $V_{CC}/2$ ,  $C_L = 5pF$ ,  $T_A = +25^\circ C$ , unless otherwise noted.)





# Low-Power, +3V/+5V, 400MHz Single-Supply Op Amps with Rail-to-Rail Outputs

## Typical Operating Characteristics (continued)

( $V_{CC} = +5V$ ,  $V_{EE} = 0$ ,  $V_{CM} = +1.75V$ ,  $A_{VCL} = +1V/V$  (MAX4414/MAX4416/MAX4418),  $A_{VCL} = +5V/V$  (MAX4415/MAX4417/MAX4419),  $R_L = 1k\Omega$  to  $V_{CC}/2$ ,  $C_L = 5pF$ ,  $T_A = +25^\circ C$ , unless otherwise noted.)

MAX4414-MAX4419



# Low-Power, +3V/+5V, 400MHz Single-Supply Op Amps with Rail-to-Rail Outputs

## Typical Operating Characteristics (continued)

( $V_{CC} = +5V$ ,  $V_{EE} = 0$ ,  $V_{CM} = +1.75V$ ,  $A_{VCL} = +1V/V$  (MAX4414/MAX4416/MAX4418),  $A_{VCL} = +5V/V$  (MAX4415/MAX4417/MAX4419),  $R_L = 1k\Omega$  to  $V_{CC}/2$ ,  $C_L = 5pF$ ,  $T_A = +25^\circ C$ , unless otherwise noted.)

**MAX4415/MAX4417/MAX4419  
LARGE-SIGNAL PULSE RESPONSE**



**MAX4414/MAX4416/MAX4418  
LARGE-SIGNAL PULSE RESPONSE**



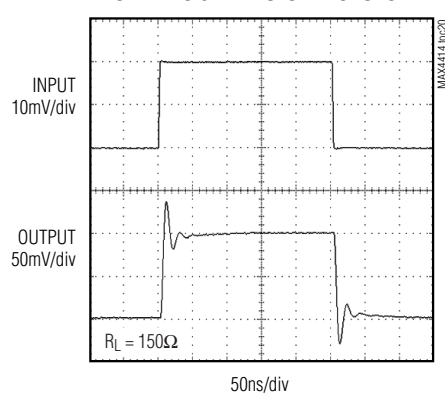
**MAX4415/MAX4417/MAX4419  
LARGE-SIGNAL PULSE RESPONSE**



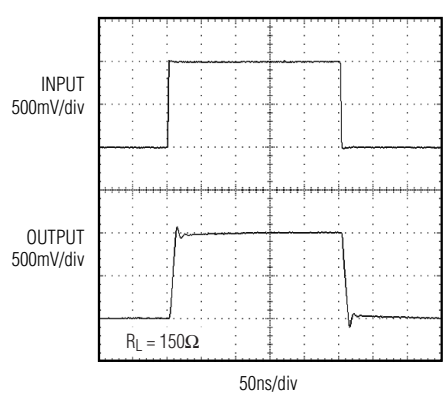
**MAX4414/MAX4416/MAX4418  
SMALL-SIGNAL PULSE RESPONSE**



**MAX4415/MAX4417/MAX4419  
SMALL-SIGNAL PULSE RESPONSE**



**MAX4414/MAX4416/MAX4418  
LARGE-SIGNAL PULSE RESPONSE**



# Low-Power, +3V/+5V, 400MHz Single-Supply Op Amps with Rail-to-Rail Outputs

MAX4414-MAX4419

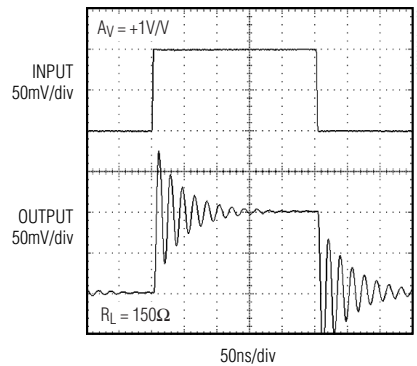
## Typical Operating Characteristics (continued)

( $V_{CC} = +5V$ ,  $V_{EE} = 0$ ,  $V_{CM} = +1.75V$ ,  $A_{VCL} = +1V/V$  (MAX4414/MAX4416/MAX4418),  $A_{VCL} = +5V/V$  (MAX4415/MAX4417/MAX4419),  $R_L = 1k\Omega$  to  $V_{CC}/2$ ,  $C_L = 5pF$ ,  $T_A = +25^\circ C$ , unless otherwise noted.)

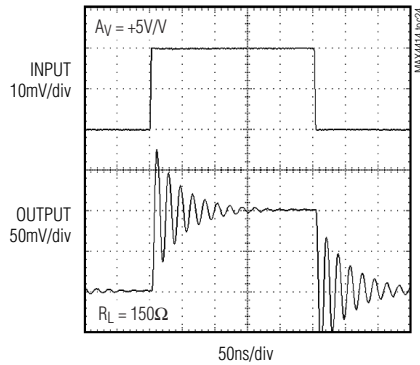
**MAX4415/MAX4417/MAX4419  
LARGE-SIGNAL PULSE RESPONSE**



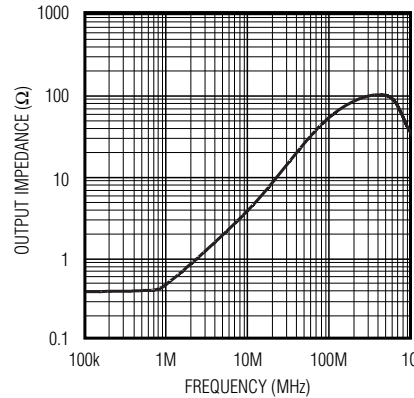
**MAX4414/MAX4416/MAX4418  
SMALL-SIGNAL PULSE RESPONSE  
( $C_{LOAD} = 15pF$ )**



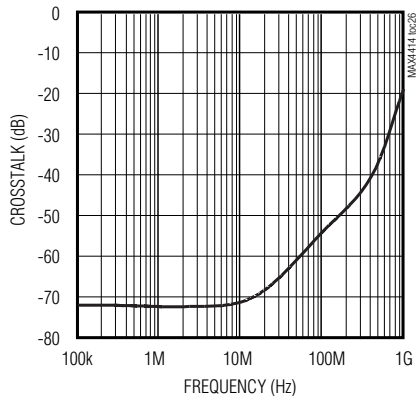
**MAX4415/MAX4417/MAX4419  
SMALL-SIGNAL PULSE RESPONSE  
( $C_{LOAD} = 15pF$ )**



**CLOSED-LOOP OUTPUT IMPEDANCE  
vs. FREQUENCY**



**MAX4416-MAX4419  
CROSSTALK vs. FREQUENCY**



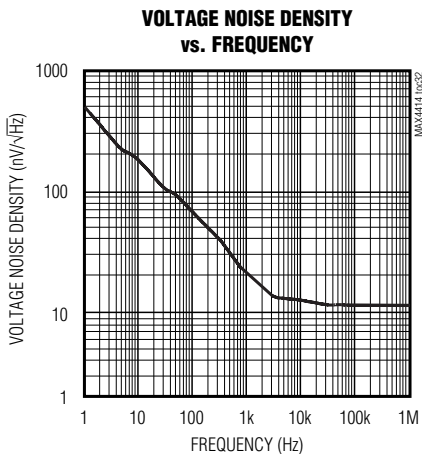
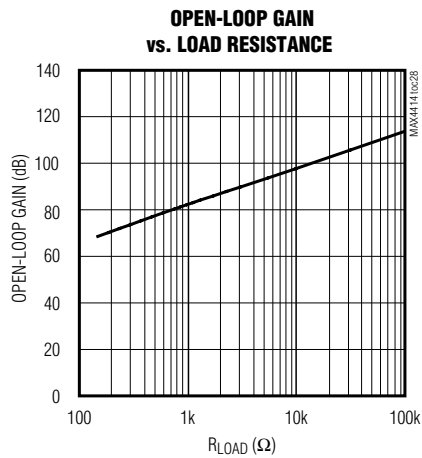
**SMALL-SIGNAL BANDWIDTH  
vs. LOAD RESISTANCE**



# Low-Power, +3V/+5V, 400MHz Single-Supply Op Amps with Rail-to-Rail Outputs

## Typical Operating Characteristics (continued)

( $V_{CC} = +5V$ ,  $V_{EE} = 0$ ,  $V_{CM} = +1.75V$ ,  $A_{VCL} = +1V/V$  (MAX4414/MAX4416/MAX4418),  $A_{VCL} = +5V/V$  (MAX4415/MAX4417/MAX4419),  $R_L = 1k\Omega$  to  $V_{CC}/2$ ,  $C_L = 5pF$ ,  $T_A = +25^\circ C$ , unless otherwise noted.)

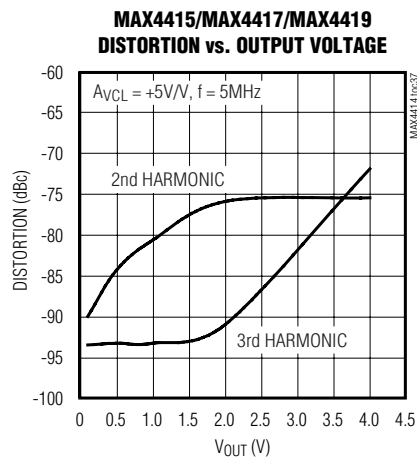
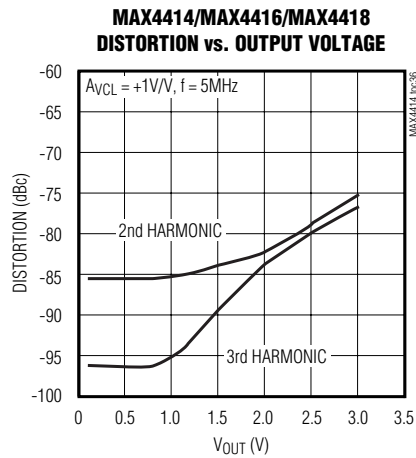


# Low-Power, +3V/+5V, 400MHz Single-Supply Op Amps with Rail-to-Rail Outputs

## Typical Operating Characteristics (continued)

( $V_{CC} = +5V$ ,  $V_{EE} = 0$ ,  $V_{CM} = +1.75V$ ,  $A_{VCL} = +1V/V$  (MAX4414/MAX4416/MAX4418),  $A_{VCL} = +5V/V$  (MAX4415/MAX4417/MAX4419),  $R_L = 1k\Omega$  to  $V_{CC}/2$ ,  $C_L = 5pF$ ,  $T_A = +25^\circ C$ , unless otherwise noted.)

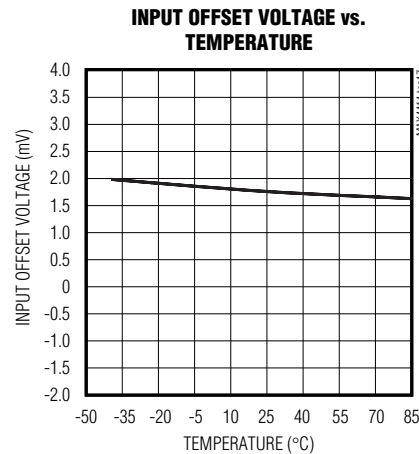
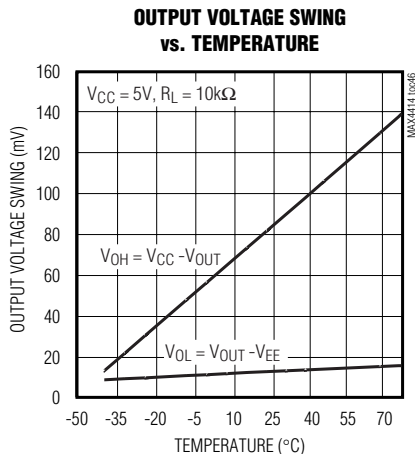
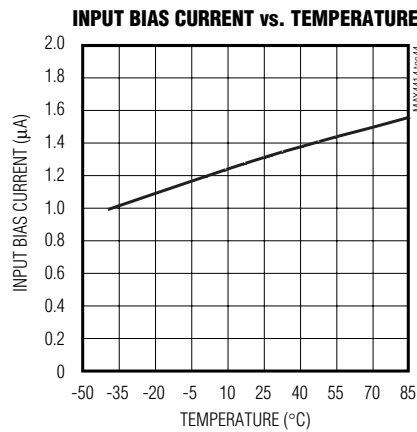
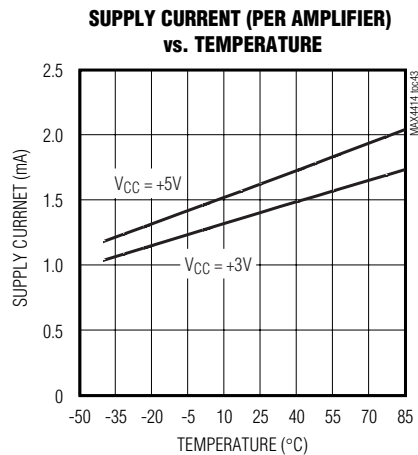
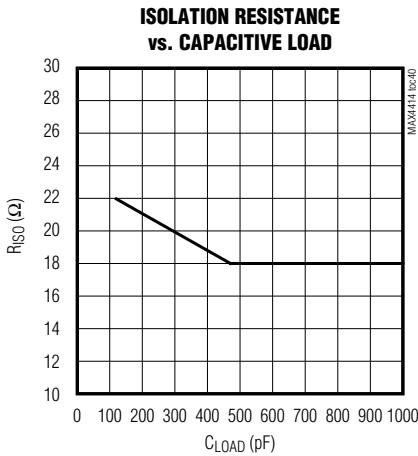
MAX4414-MAX4419



# Low-Power, +3V/+5V, 400MHz Single-Supply Op Amps with Rail-to-Rail Outputs

## Typical Operating Characteristics (continued)

( $V_{CC} = +5V$ ,  $V_{EE} = 0$ ,  $V_{CM} = +1.75V$ ,  $A_{VCL} = +1V/V$  (MAX4414/MAX4416/MAX4418),  $A_{VCL} = +5V/V$  (MAX4415/MAX4417/MAX4419),  $R_L = 1k\Omega$  to  $V_{CC}/2$ ,  $C_L = 5pF$ ,  $T_A = +25^\circ C$ , unless otherwise noted.)



# Low-Power, +3V/+5V, 400MHz Single-Supply Op Amps with Rail-to-Rail Outputs

## Pin Description

MAX4414-MAX4419

| PIN                |                    |                    | NAME            | FUNCTION                                 |
|--------------------|--------------------|--------------------|-----------------|--|
| MAX4414<br>MAX4415 | MAX4416<br>MAX4417 | MAX4418<br>MAX4419 |                 |  |
| 1, 5, 8            | —                  | —                  | N.C.            | No Connection. Not internally connected. |
| 3                  | —                  | —                  | IN+             | Amplifier Noninverting Input             |
| —                  | 3                  | 3                  | INA+            | Amplifier A Noninverting Input           |
| —                  | 5                  | 5                  | INB+            | Amplifier B Noninverting Input           |
| —                  | —                  | 10                 | INC+            | Amplifier C Noninverting Input           |
| —                  | —                  | 12                 | IND+            | Amplifier D Noninverting Input           |
| 2                  | —                  | —                  | IN-             | Amplifier Inverting Input                |
| —                  | 2                  | 2                  | INA-            | Amplifier A Inverting Input              |
| —                  | 6                  | 6                  | INB-            | Amplifier B Inverting Input              |
| —                  | —                  | 9                  | INC-            | Amplifier C Inverting Input              |
| —                  | —                  | 13                 | IND-            | Amplifier D Inverting Input              |
| 4                  | 4                  | 11                 | V <sub>EE</sub> | Negative Power Supply                    |
| 6                  | —                  | —                  | OUT             | Amplifier Output                         |
| —                  | 1                  | 1                  | OUTA            | Amplifier A Output                       |
| —                  | 7                  | 7                  | OUTB            | Amplifier B Output                       |
| —                  | —                  | 8                  | OUTC            | Amplifier C Output                       |
| —                  | —                  | 14                 | OUTD            | Amplifier D Output                       |
| 7                  | 8                  | 4                  | V <sub>CC</sub> | Positive Power Supply                    |

### Detailed Description

The MAX4414–MAX4419 single-supply, rail-to-rail, voltage-feedback amplifiers achieve high slew rates and bandwidths, while consuming only 1.6mA of supply current per amplifier. Excellent harmonic distortion and differential gain/phase performance make these amplifiers an ideal choice for a wide variety of video and RF signal-processing applications.

Internal feedback around the output stage ensures low open-loop output impedance, reducing gain sensitivity to load variations. This feedback also produces demand-driven current bias to the output transistors.

#### Rail-to-Rail Outputs, Ground-Sensing Input

The MAX4414–MAX4419 input common-mode range extends from (V<sub>EE</sub> - 0.1V) to (V<sub>CC</sub> - 1.5V) with excellent common-mode rejection. Beyond this range, the amplifier output is a nonlinear function of the input, but does not undergo phase reversal or latchup.

The output swings to within 105mV of either power-supply rail with a 1k $\Omega$  load. Input ground sensing and rail-to-rail output substantially increase the dynamic range. With a symmetric input in a single +5V application, the

input can swing 3.6Vp-p, and the output can swing 4.6Vp-p with minimal distortion.

#### Output Capacitive Loading and Stability

The MAX4414–MAX4419 are optimized for AC performance. They are not designed to drive highly reactive loads. Such loads decrease phase margin and may produce excessive ringing and oscillation. The use of an isolation resistor eliminates this problem (Figure 1). Figure 2 is a graph of the Optimal Isolation Resistor (R<sub>ISO</sub>) vs. Capacitive Load.

The Small-Signal Gain vs. Frequency with Capacitive Load and No Isolation Resistor graph in the *Typical Operating Characteristics* shows how a capacitive load causes excessive peaking of the amplifier's frequency response if the capacitor is not isolated from the amplifier by a resistor. A small isolation resistor (usually 20 $\Omega$  to 30 $\Omega$ ) placed before the reactive load prevents ringing and oscillation. At higher capacitive loads, AC performance is controlled by the interaction of the load capacitance and the isolation resistor. The Small-Signal Gain vs. Frequency with Capacitive Load and 22 $\Omega$  Isolation Resistor graph shows the effect of a 22 $\Omega$  isolation resistor on closed-loop response.

# Low-Power, +3V/+5V, 400MHz Single-Supply Op Amps with Rail-to-Rail Outputs

Coaxial cable and other transmission lines are easily driven when properly terminated at both ends with their characteristic impedance. Driving back-terminated transmission lines essentially eliminates the line's capacitance.

## Applications Information

### Choosing Resistor Values

#### Unity-Gain Configuration

The MAX4414/MAX4416/MAX4418 are internally compensated for unity gain. When configured for unity gain, the devices require a 24Ω feedback resistor (R<sub>F</sub>). This resistor improves AC response by reducing the Q of the parallel LC circuit formed by the parasitic feedback capacitance and inductance.

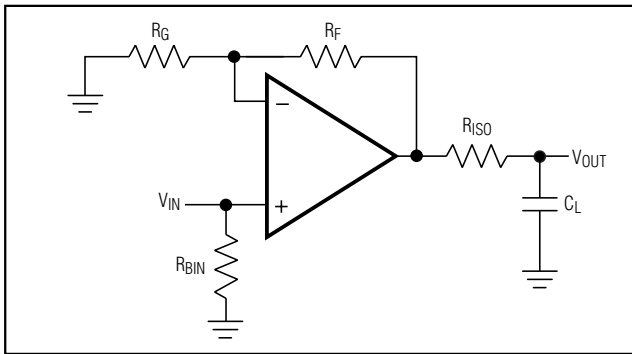


Figure 1. Driving a Capacitive Load Through an Isolation Resistor

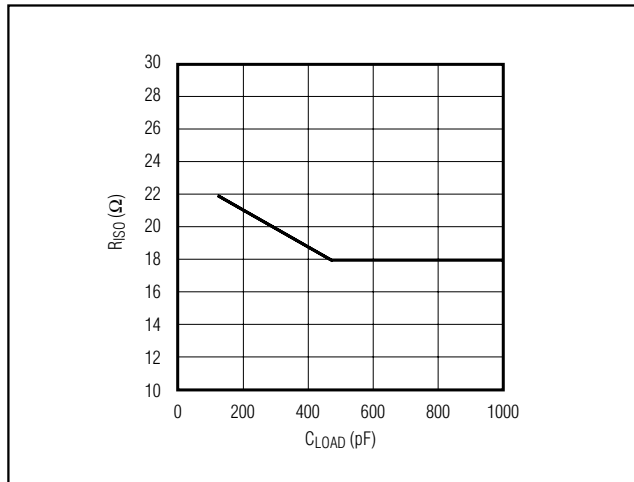


Figure 2. Capacitive Load vs. Isolation Resistance

### Inverting and Noninverting Configurations

Select the gain-setting feedback (R<sub>F</sub>) and input (R<sub>G</sub>) resistor values that best fit the application. Large resistor values increase voltage noise and interact with the amplifier's input and PC board capacitance. This can generate undesirable poles and zeros and decrease bandwidth or cause oscillations. For example, a noninverting gain-of-two configuration (R<sub>F</sub> = R<sub>G</sub>) using 1kΩ resistors, combined with 1.8pF of amplifier input capacitance and 1pF of PC board capacitance, causes a pole at 114MHz. Since this pole is within the amplifier bandwidth, it jeopardizes stability. Reducing the 1kΩ resistors to 100Ω extends the pole frequency to 1.14GHz, but could limit output swing by adding 200Ω in parallel with the amplifier's load resistor.

**Note:** For high gain applications where output offset voltage is a consideration, choose R<sub>S</sub> to be equal to the parallel combination of R<sub>F</sub> and R<sub>G</sub> (Figures 3a and 3b):

$$R_S = \frac{R_F \times R_G}{R_F + R_G}$$

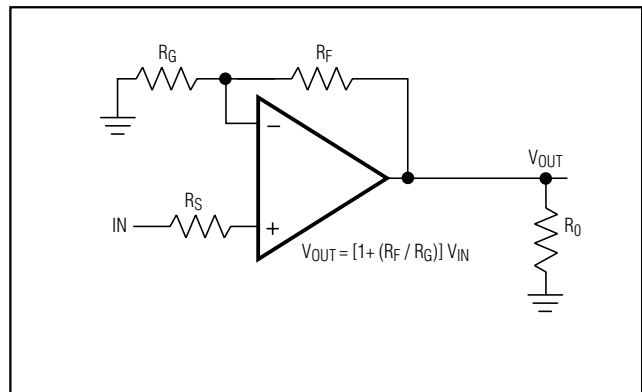


Figure 3a. Noninverting Gain Configuration

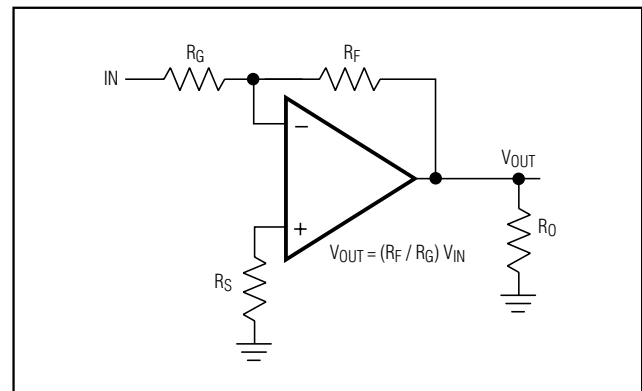


Figure 3b. Inverting Gain Configuration



# Low-Power, +3V/+5V, 400MHz Single-Supply Op Amps with Rail-to-Rail Outputs

MAX4414-MAX4419

## Video Line Driver

The MAX4414–MAX4419 are designed to minimize differential gain error and differential phase error to 0.03%/0.15° respectively, making them ideal for driving video loads. See Figure 4.

## Active Filters

The low distortion and high bandwidth of the MAX4414–MAX4419 make them ideal for use in active filter circuits. Figure 5 is a 15MHz lowpass, multiple-feedback active filter using the MAX4414.

$$\text{GAIN} = \frac{R_2}{R_1}$$

$$f_0 = \frac{1}{2\pi} \times \sqrt{\frac{1}{R_2 \times R_3 \times C_1 \times C_2}}$$

$$Q = \frac{C_2}{\frac{1}{R_1} + \frac{1}{R_2} + \frac{1}{R_3}}$$

## ADC Input Buffer

Input buffer amplifiers can be a source of significant errors in high-speed ADC applications. The input buffer is usually required to rapidly charge and discharge the ADC's input, which is often capacitive (see *Output Capacitive Loading and Stability*). In addition, since a high-speed ADC's input impedance often changes very rapidly during the conversion cycle, measurement accuracy must be maintained using an amplifier with very low output impedance at high frequencies. The combination of high speed, fast slew rate, low noise, and a low and stable distortion over load make the MAX4414–MAX4419 ideally suited for use as buffer amplifiers in high-speed ADC applications.

## Layout and Power-Supply Bypassing

These amplifiers operate from a single +2.7V to +5.5V power supply. Bypass VCC to ground with a 0.1µF capacitor as close to the pin as possible.

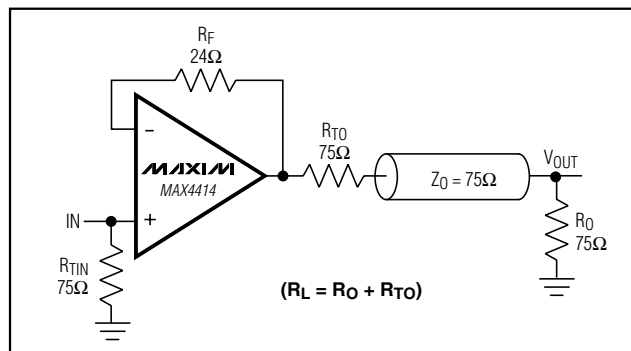


Figure 4. Video Line Driver

Maxim recommends using microstrip and stripline techniques to obtain full bandwidth. Design the PC board for a frequency greater than 1GHz to prevent amplifier performance degradation due to board parasitics. Avoid large parasitic capacitances at inputs and outputs. Whether or not a constant-impedance board is used, observe the following guidelines:

- Do not use wire-wrap boards due to their high inductance.
- Do not use IC sockets because of the increased parasitic capacitance and inductance.
- Use surface-mount instead of through-hole components for better high-frequency performance.
- Use a PC board with at least two layers; it should be as free from voids as possible.
- Keep signal lines as short and as straight as possible. Do not make 90° turns; round all corners.

# Low-Power, +3V/+5V, 400MHz Single-Supply Op Amps with Rail-to-Rail Outputs

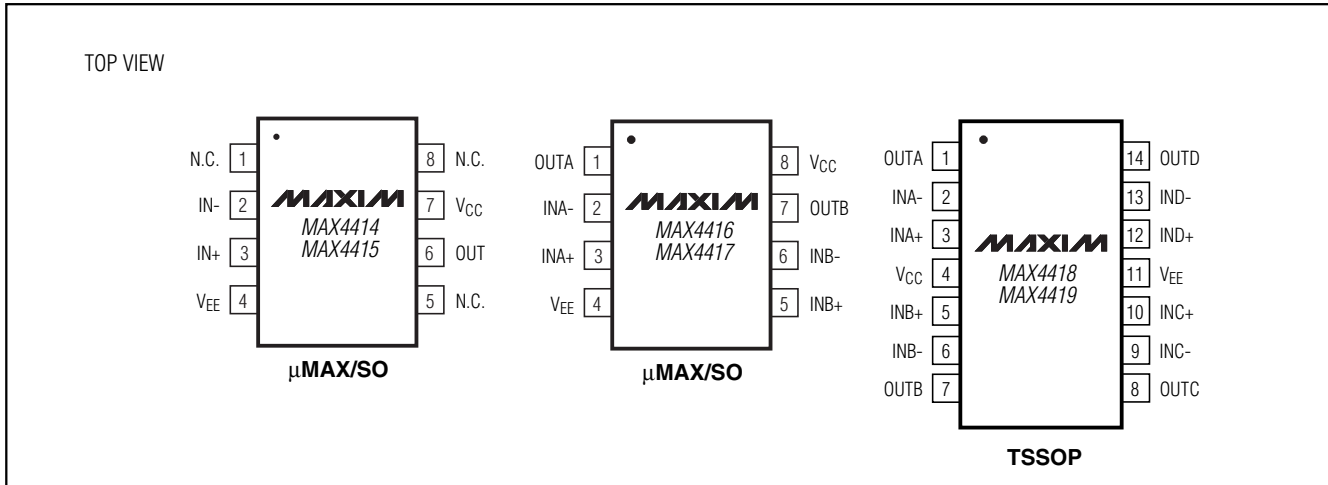


Figure 5. Multiple-Feedback Lowpass Filter

# Low-Power, +3V/+5V, 400MHz Single-Supply Op Amps with Rail-to-Rail Outputs

## Pin Configurations

**MAX4414-MAX4419**



## Ordering Information (continued)

| PART              | TEMP. RANGE    | PIN-PACKAGE |
|-------------------|----------------|-------------|
| <b>MAX4416EUA</b> | -40°C to +85°C | 8 μMAX      |
| MAX4416ESA        | -40°C to +85°C | 8 SO        |
| <b>MAX4417EUA</b> | -40°C to +85°C | 8 μMAX      |
| MAX4417ESA        | -40°C to +85°C | 8 SO        |
| <b>MAX4418EUD</b> | -40°C to +85°C | 14 TSSOP    |
| <b>MAX4419EUD</b> | -40°C to +85°C | 14 TSSOP    |

## Chip Information

MAX4414/MAX4415 TRANSISTOR COUNT: 95

MAX4416/MAX4417 TRANSISTOR COUNT: 184

MAX4418/MAX4419 TRANSISTOR COUNT: 268

PROCESS: Bipolar

# Low-Power, +3V/+5V, 400MHz Single-Supply Op Amps with Rail-to-Rail Outputs

## Package Information

|    | INCHES     |       | MILLIMETERS |      | JEDEC      |       |          |      |
|----|------------|-------|-------------|------|------------|-------|----------|------|
|    | MIN        | MAX   | MIN         | MAX  | MIN        | MAX   | MIN      | MAX  |
| A  | 0.037      | 0.043 | 0.94        | 1.10 | ---        | 0.043 | ---      | 1.10 |
| A1 | 0.002      | 0.006 | 0.05        | 0.15 | 0.002      | 0.006 | 0.05     | 0.15 |
| B  | 0.010      | 0.014 | 0.25        | 0.36 | 0.010      | 0.016 | 0.25     | 0.40 |
| C  | 0.005      | 0.007 | 0.13        | 0.18 | 0.005      | 0.009 | 0.13     | 0.23 |
| D  | 0.116      | 0.120 | 2.95        | 3.05 | 0.114      | 0.122 | 2.9      | 3.1  |
| e  | 0.0256 BSC |       | 0.65 BSC    |      | 0.0256 BSC |       | 0.64 BSC |      |
| E  | 0.116      | 0.120 | 2.95        | 3.05 | 0.114      | 0.122 | 2.9      | 3.1  |
| H  | 0.188      | 0.198 | 4.78        | 5.03 | 0.193 BSC  |       | 4.9 BSC  |      |
| L  | 0.016      | 0.026 | 0.41        | 0.66 | 0.016      | 0.027 | 0.40     | 0.70 |
| α  | 0°         | 6°    | 0°          | 6°   | 0°         | 6°    | 0°       | 6°   |
| S  | 0.0207 BSC |       | 0.5250 BSC  |      |            |       |          |      |

**NOTES:**  
 1. D&E DO NOT INCLUDE MOLD FLASH.  
 2. MOLD FLASH OR PROTRUSIONS NOT TO EXCEED 0.15MM (.006").  
 3. CONTROLLING DIMENSION: MILLIMETERS.  
 4. MEETS JEDEC MO-187.

**MAXIM**  
 PROPRIETARY INFORMATION  
 TITLE: PACKAGE OUTLINE, 8L uMAX  
 APPROVAL: \_\_\_\_\_ DOCUMENT CONTROL NO: 21-0036 REV: I 1/1

8LUMAXD.EPS

# Low-Power, +3V/+5V, 400MHz Single-Supply Op Amps with Rail-to-Rail Outputs

## Package Information (continued)

MAX4414-MAX4419

**TOP VIEW**

**BOTTOM VIEW**

**SIDE VIEW**

**END VIEW**

**DETAIL A**

**LEAD TIP DETAIL**

| Symbol         | COMMON DIMENSIONS |       |                |       |
|----------------|-------------------|-------|----------------|-------|
|                | MILLIMETERS       |       | INCHES         |       |
|                | MIN.              | MAX.  | MIN.           | MAX.  |
| A              | 1.10              |       |                | .043  |
| A <sub>1</sub> | 0.05              | 0.15  | .002           | .006  |
| A <sub>2</sub> | 0.85              | 0.95  | .033           | .037  |
| b              | 0.19              | 0.30  | .007           | .012  |
| b <sub>1</sub> | 0.19              | 0.25  | .007           | .010  |
| c              | 0.090             | 0.20  | .0035          | .008  |
| c <sub>1</sub> | 0.090             | 0.135 | .0035          | .0053 |
| D              | SEE VARIATIONS    |       | SEE VARIATIONS |       |
| E              | 4.30              | 4.50  | .169           | .177  |
| e              | 0.65 BSC          |       | .026 BSC       |       |
| H              | 6.25              | 6.50  | .246           | .256  |
| L              | 0.50              | 0.70  | .020           | .028  |
| N              | SEE VARIATIONS    |       | SEE VARIATIONS |       |
| α              | 0°                | 8°    | 0°             | 8°    |

| JEDEC | MO-153 | N | VARIATIONS  |      |        |      |
|-------|--------|---|-------------|------|--------|------|
|       |        |   | MILLIMETERS |      | INCHES |      |
|       |        |   | MIN.        | MAX. | MIN.   | MAX. |
| AB    | 14     | D | 4.90        | 5.10 | .193   | .201 |
| AC    | 16     | D | 4.90        | 5.10 | .193   | .201 |
| AD    | 20     | D | 6.40        | 6.60 | .252   | .260 |
| AE    | 24     | D | 7.70        | 7.90 | .303   | .311 |
| AF    | 28     | D | 9.60        | 9.80 | .378   | .386 |

TSSOP NO PADS EFS

**NOTES:**

- DIMENSIONS D AND E DO NOT INCLUDE FLASH
- MOLD FLASH OR PROTRUSIONS NOT TO EXCEED 0.15mm PER SIDE
- CONTROLLING DIMENSION: MILLIMETER
- MEETS JEDEC OUTLINE MO-153 VARIATIONS- AB, AC, AD, AE, AF
- \*"N" REFERS TO NUMBER OF LEADS
- THE LEAD TIPS MUST LIE WITHIN A SPECIFIED ZONE. THIS TOLERANCE ZONE IS DEFINED BY TWO PARALLEL PLANES. ONE PLANE IS THE SEATING PLANE, DATUM [-C-]; THE OTHER PLANE IS AT THE SPECIFIED DISTANCE FROM [-C-] IN THE DIRECTION INDICATED.

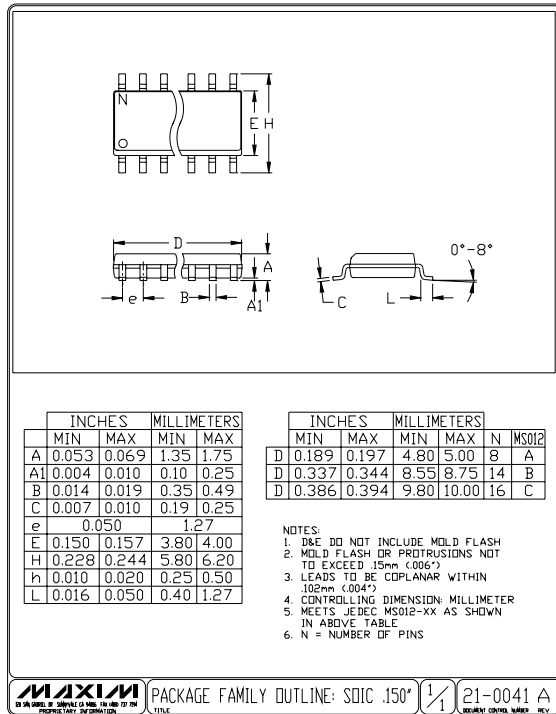
PROPRIETARY INFORMATION

TITLE: PACKAGE OUTLINE, TSSOP, 4.40 MM BODY

|          |                      |     |     |
|----------|----------------------|-----|-----|
| APPROVAL | DOCUMENT CONTROL NO. | REV | 1/1 |
|          | 21-0066              | D   |     |

# Low-Power, +3V/+5V, 400MHz Single-Supply Op Amps with Rail-to-Rail Outputs

## Package Information (continued)



Maxim cannot assume responsibility for use of any circuitry other than circuitry entirely embodied in a Maxim product. No circuit patent licenses are implied. Maxim reserves the right to change the circuitry and specifications without notice at any time.

22 **Maxim Integrated Products, 120 San Gabriel Drive, Sunnyvale, CA 94086 408-737-7600**

Компания «Life Electronics» занимается поставками электронных компонентов импортного и отечественного производства от производителей и со складов крупных дистрибьюторов Европы, Америки и Азии.

С конца 2013 года компания активно расширяет линейку поставок компонентов по направлению коаксиальный кабель, кварцевые генераторы и конденсаторы (керамические, пленочные, электролитические), за счёт заключения дистрибьюторских договоров

Мы предлагаем:

- Конкурентоспособные цены и скидки постоянным клиентам.
- Специальные условия для постоянных клиентов.
- Подбор аналогов.
- Поставку компонентов в любых объемах, удовлетворяющих вашим потребностям.
- Приемлемые сроки поставки, возможна ускоренная поставка.
- Доставку товара в любую точку России и стран СНГ.
- Комплексную поставку.
- Работу по проектам и поставку образцов.
- Формирование склада под заказчика.
- Сертификаты соответствия на поставляемую продукцию (по желанию клиента).
- Тестирование поставляемой продукции.
- Поставку компонентов, требующих военную и космическую приемку.
- Входной контроль качества.
- Наличие сертификата ISO.

В составе нашей компании организован Конструкторский отдел, призванный помогать разработчикам, и инженерам.

Конструкторский отдел помогает осуществить:

- Регистрацию проекта у производителя компонентов.
- Техническую поддержку проекта.
- Защиту от снятия компонента с производства.
- Оценку стоимости проекта по компонентам.
- Изготовление тестовой платы монтаж и пусконаладочные работы.



Тел: +7 (812) 336 43 04 (многоканальный)

Email: [org@lifeelectronics.ru](mailto:org@lifeelectronics.ru)