



FEATURES

- Self-powered, only two connections required
- +4.50-19.99Vdc, +8.0-50.0Vdc, +30.0-199.9Vdc and +30-264Vdc models
- Ideal replacements for analog panel meters
- Ultra-low power consumption (8mA typ.)
- 0.37"/9.4mm high, red or blue, LED displays
- Subminiature 1.38" x 0.88" x 1.0" packages
- Super reliable, epoxy-encapsulated, construction

Functional Specifications

Input

Voltage Range: ①

DMS-20PC-0-DCM	+4.50 to +19.99Vdc
DMS-20PC-1-DCM	+8.0 to +50.0Vdc
DMS-20PC-2-DCM	+30 to +264Vdc
DMS-20PC-8-DCM	+30.0 to +199.9Vdc

Current Consumption:

DMS-20PC-0/1-DCM	13mA (max.)
DMS-20PC-2/8-DCM	7mA (max.)

Performance

Sampling Rate

2.5 readings/second

Resolution:

DMS-20PC-0-DCM	±0.01V
DMS-20PC-1/8-DCM	±0.1V
DMS-20PC-2-DCM	±1V

Accuracy @ +25°C:

DMS-20PC-0-DCM	±0.01V (typ.), ±0.03V (max.)
DMS-20PC-1/8-DCM	±0.1V (typ.), ±0.2V (max.)
DMS-20PC-2-DCM	±1V (typ.), ±2V (max.)

Mechanical

Dimensions

1.38" x 0.88" x 1.00"

Display Type

3 & 3½ digit, LED, 0.37"/9.4mm

Weight

1 ounce (28 grams)

Case Material

Polycarbonate

6-32 screw torque

6-8 in-lb (0.7 – 0.9N-m)

Environmental

Operating Temperature

-25 to +60°C

Storage Temperature

-40 to +75°C

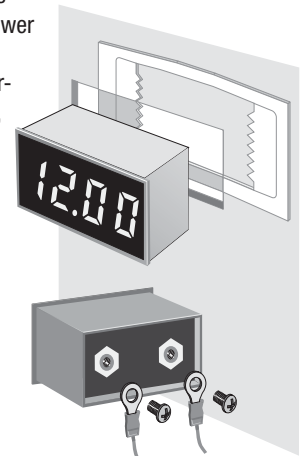
Humidity (Non-condensing)

0 to 95%

① Operation and accuracy at inputs above or below these ranges are not specified.

DATEL's DMS-20PC-DCM Series of self-powered, positive-reading, dc voltage monitors are great replacements for older, hard-to-read, analog panel meters. Simply connect a positive dc voltage across the rear terminals and the meters are fully operational — no additional components or power supplies are required! The large, 0.37"/9.4mm, LED displays can be easily read from 15 feet away. Four versions are available: +4.50-19.99Vdc (0.01V resolution), +8.0-50.0Vdc (0.1V resolution), +30.0-199.9Vdc (0.1V resolution) and +30-264Vdc (1V resolution). Built-in reverse polarity protection assures simple, trouble-free installation.

All DMS-20PC-DCM's employ a high-resolution, 3½ digit A/D converter and precision metal-film resistors to achieve outstanding performance over an operating temperature range of -25 to +60°C. A rugged, epoxy-encapsulated, polycarbonate case provides excellent protection against moisture, shock and vibration. The DMS-20PC-DCM's are designed to fit the same panel cutout as DATEL's popular DMS-20PC-X-LM ac-line voltage monitors



Typical panel mount installation and suggested wiring (user supplied).

Ordering Information

DMS-20PC-0-DCM-C	+4.50 to +19.99V dc red LED voltage monitor
DMS-20PC-0-DCM-B-C	+4.50 to +19.99V blue LED dc voltage monitor
DMS-20PC-0-DCM-G-C	+4.50 to +19.99V green LED dc voltage monitor
DMS-20PC-1-DCM-C	+8.0 to +50.0V red LED dc voltage monitor
DMS-20PC-1-DCM-B-C	+8.0 to +50.0V blue LED dc voltage monitor
DMS-20PC-1-DCM-G-C	+8.0 to +50.0V green LED dc voltage monitor
DMS-20PC-2-DCM-C	+30 to +264V dc voltage monitor
DMS-20PC-8-DCM-C	+30.0 to +199.9V dc voltage monitor
DMS-20-CP	Panel cutout punch
DMS-BZL3-C	Panel mount bezel assembly
DMS-BZL4-C	Panel mount bezel with sealing gasket

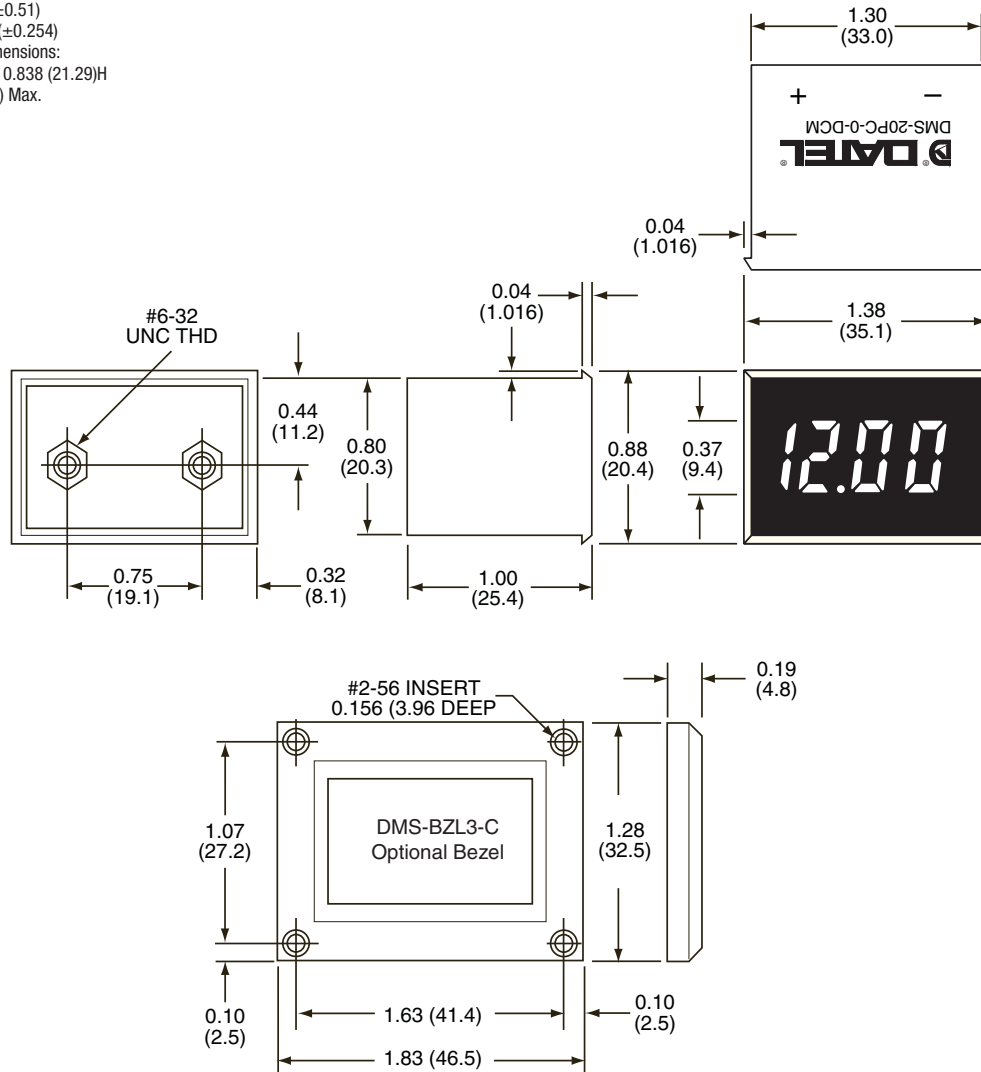
Brass screws (6-32 thread) and a panel-mount retaining clip are supplied with each meter



For full details go to
www.murata-ps.com/rohs

MECHANICAL SPECIFICATIONS

Dimensions in inches (millimeters)
 Tolerances: 2 PL Dec ± 0.02 (± 0.51)
 3 PL Dec ± 0.010 (± 0.254)
 Recommended panel cutout dimensions:
 1.336 (33.93)W \times 0.838 (21.29)H
 Internal corner radii 0.032 (0.81) Max.



Murata Power Solutions, Inc.
 11 Cabot Boulevard, Mansfield, MA 02048-1151 U.S.A.
 ISO 9001 and 14001 REGISTERED

Murata Power Solutions, Inc. makes no representation that the use of its products in the circuits described herein, or the use of other technical information contained herein, will not infringe upon existing or future patent rights. The descriptions contained herein do not imply the granting of licenses to make, use, or sell equipment constructed in accordance therewith. Specifications are subject to change without notice.
 © 2012 Murata Power Solutions, Inc.

Компания «Life Electronics» занимается поставками электронных компонентов импортного и отечественного производства от производителей и со складов крупных дистрибьюторов Европы, Америки и Азии.

С конца 2013 года компания активно расширяет линейку поставок компонентов по направлению коаксиальный кабель, кварцевые генераторы и конденсаторы (керамические, пленочные, электролитические), за счёт заключения дистрибьюторских договоров

Мы предлагаем:

- Конкурентоспособные цены и скидки постоянным клиентам.
- Специальные условия для постоянных клиентов.
- Подбор аналогов.
- Поставку компонентов в любых объемах, удовлетворяющих вашим потребностям.
- Приемлемые сроки поставки, возможна ускоренная поставка.
- Доставку товара в любую точку России и стран СНГ.
- Комплексную поставку.
- Работу по проектам и поставку образцов.
- Формирование склада под заказчика.
- Сертификаты соответствия на поставляемую продукцию (по желанию клиента).
- Тестирование поставляемой продукции.
- Поставку компонентов, требующих военную и космическую приемку.
- Входной контроль качества.
- Наличие сертификата ISO.

В составе нашей компании организован Конструкторский отдел, призванный помогать разработчикам, и инженерам.

Конструкторский отдел помогает осуществить:

- Регистрацию проекта у производителя компонентов.
- Техническую поддержку проекта.
- Защиту от снятия компонента с производства.
- Оценку стоимости проекта по компонентам.
- Изготовление тестовой платы монтаж и пусконаладочные работы.



Тел: +7 (812) 336 43 04 (многоканальный)

Email: org@lifeelectronics.ru