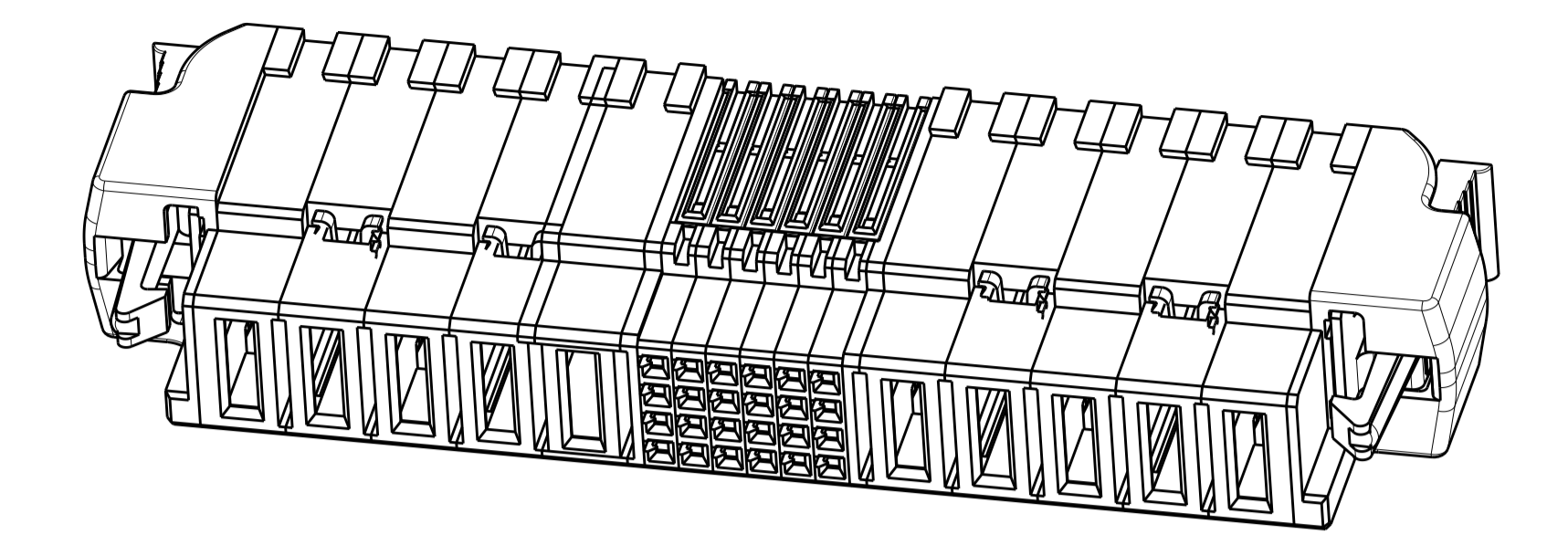
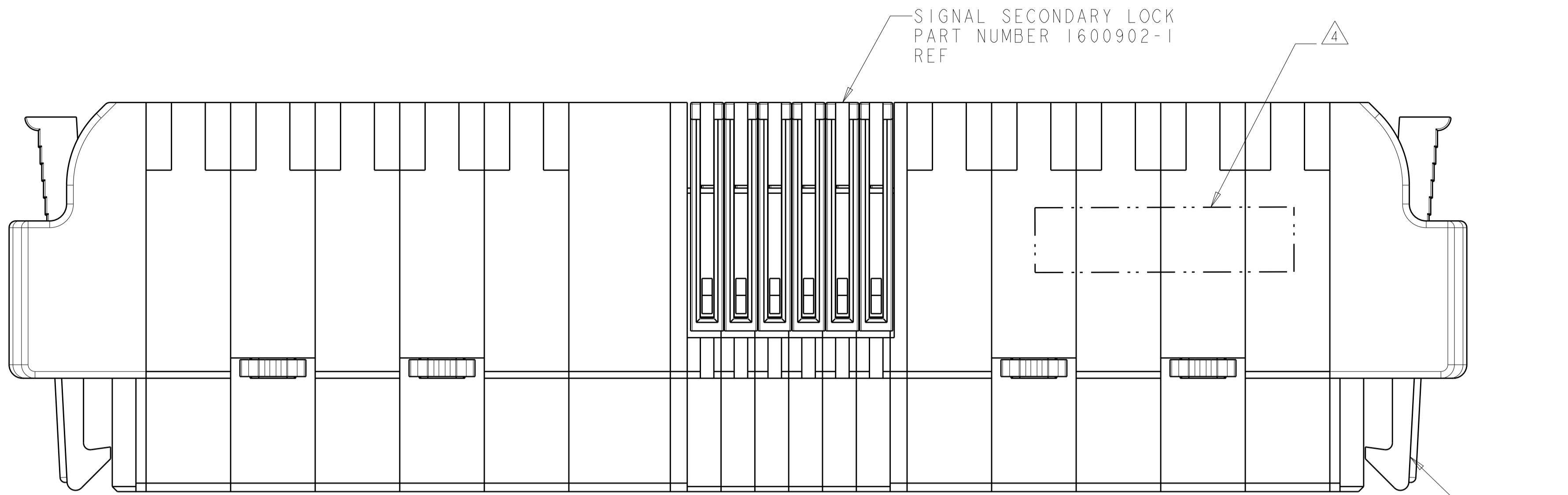
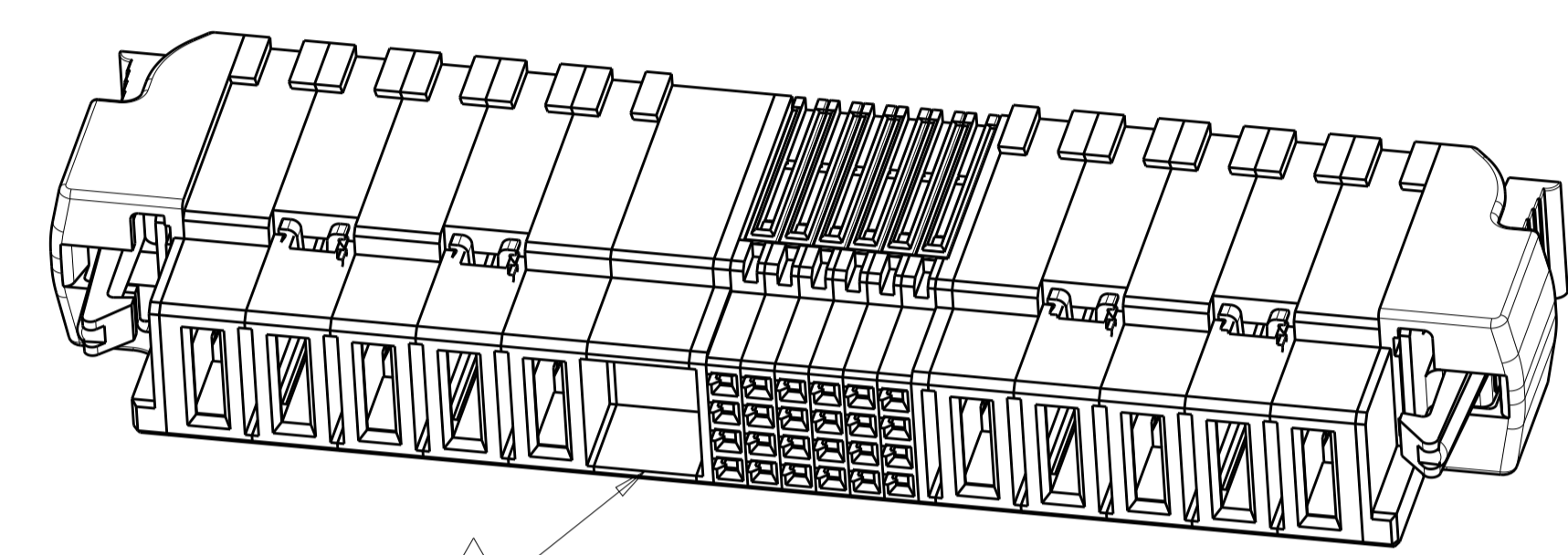


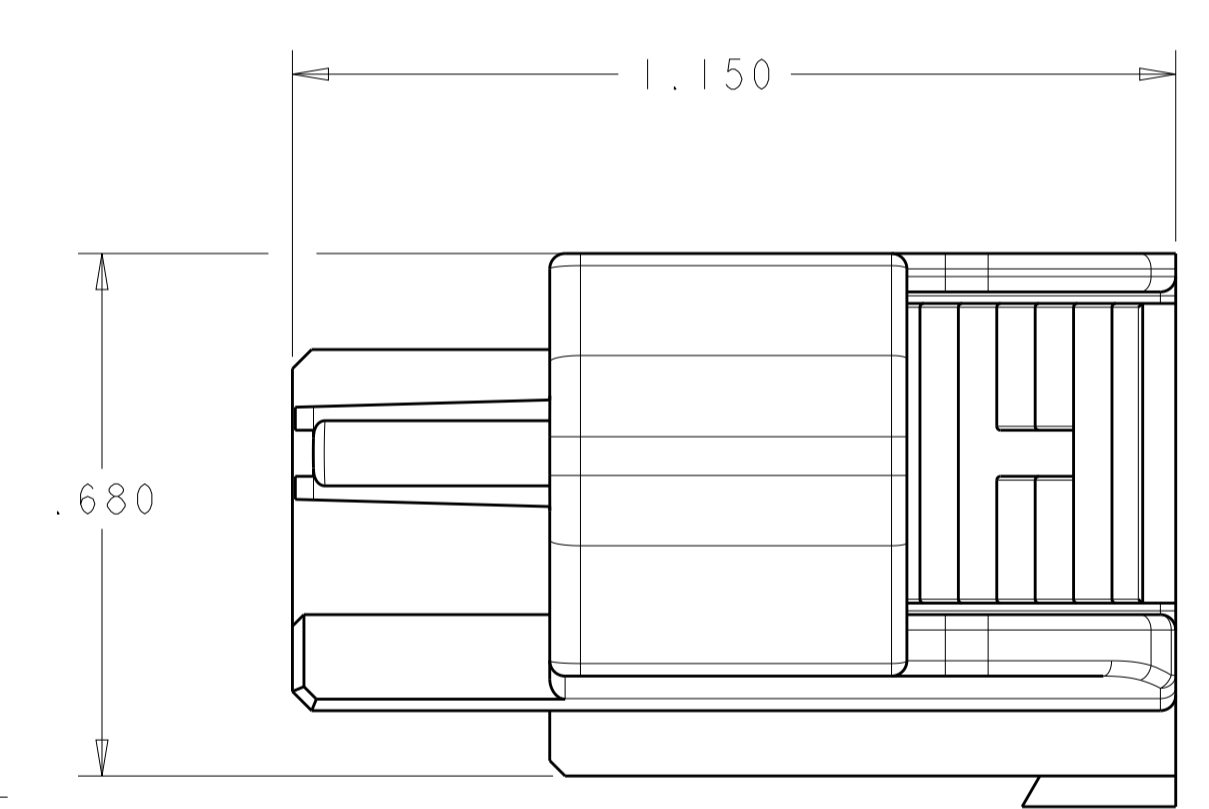
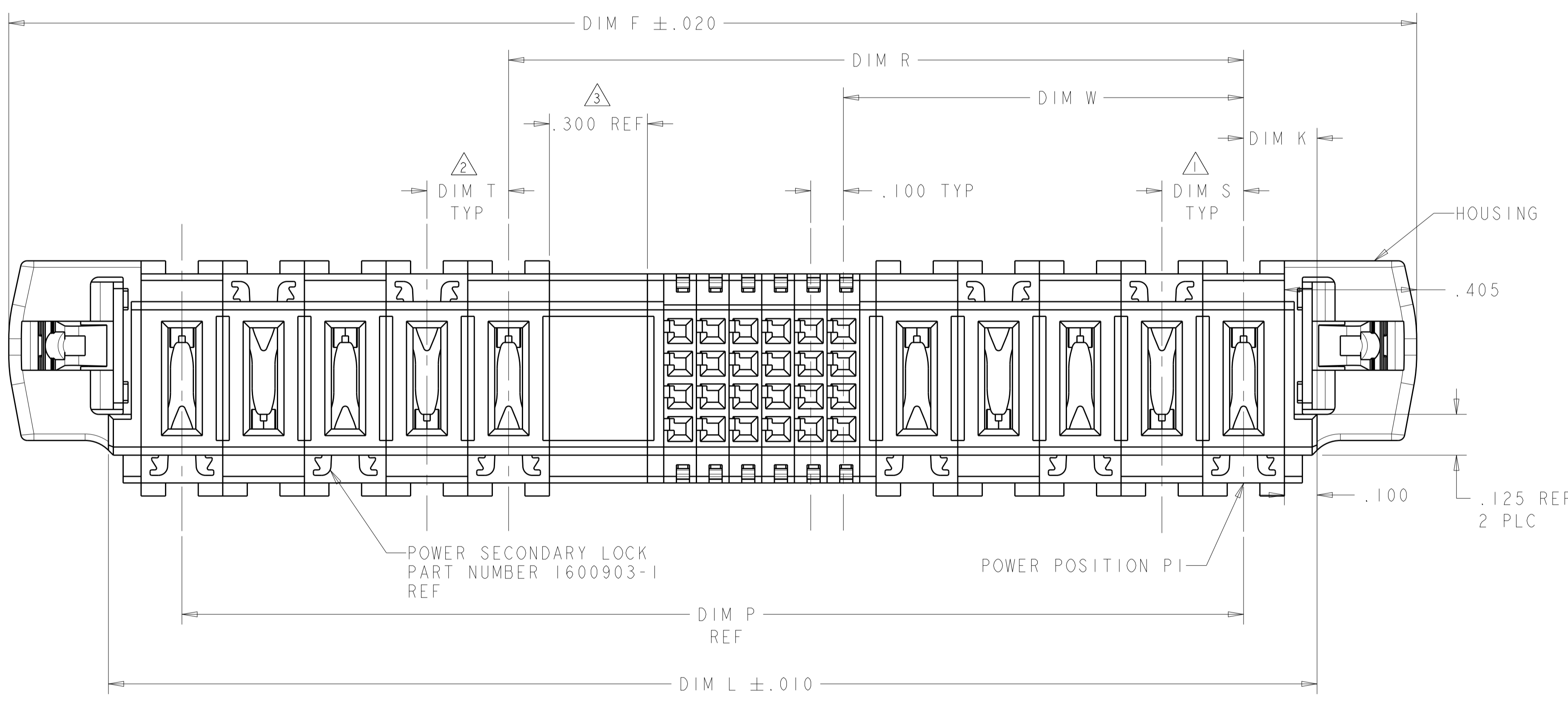
LOC	DIST	REVISIONS					
		P	LTH	DESCRIPTION	DATE	DWN	APVD
ES	00	L		ADDED NEW DASH NUMBER	23AUG2013	CZ	SZ
		LI		REV PER ECR-13-014402	13SEP2013	CZ	SZ



ISOMETRIC VIEW WITHOUT  
OPTIONAL CENTER MODULE  
SCALE 2:1



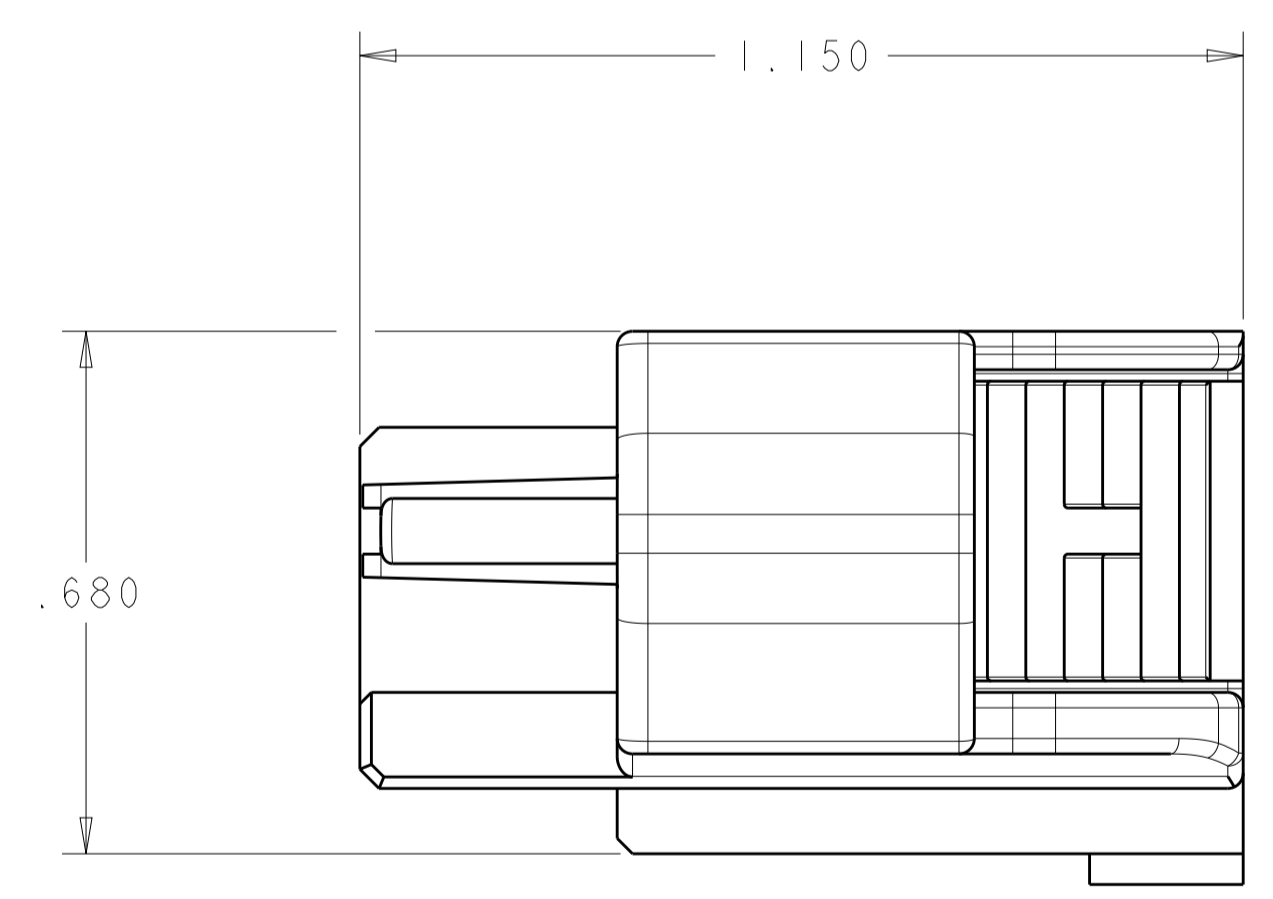
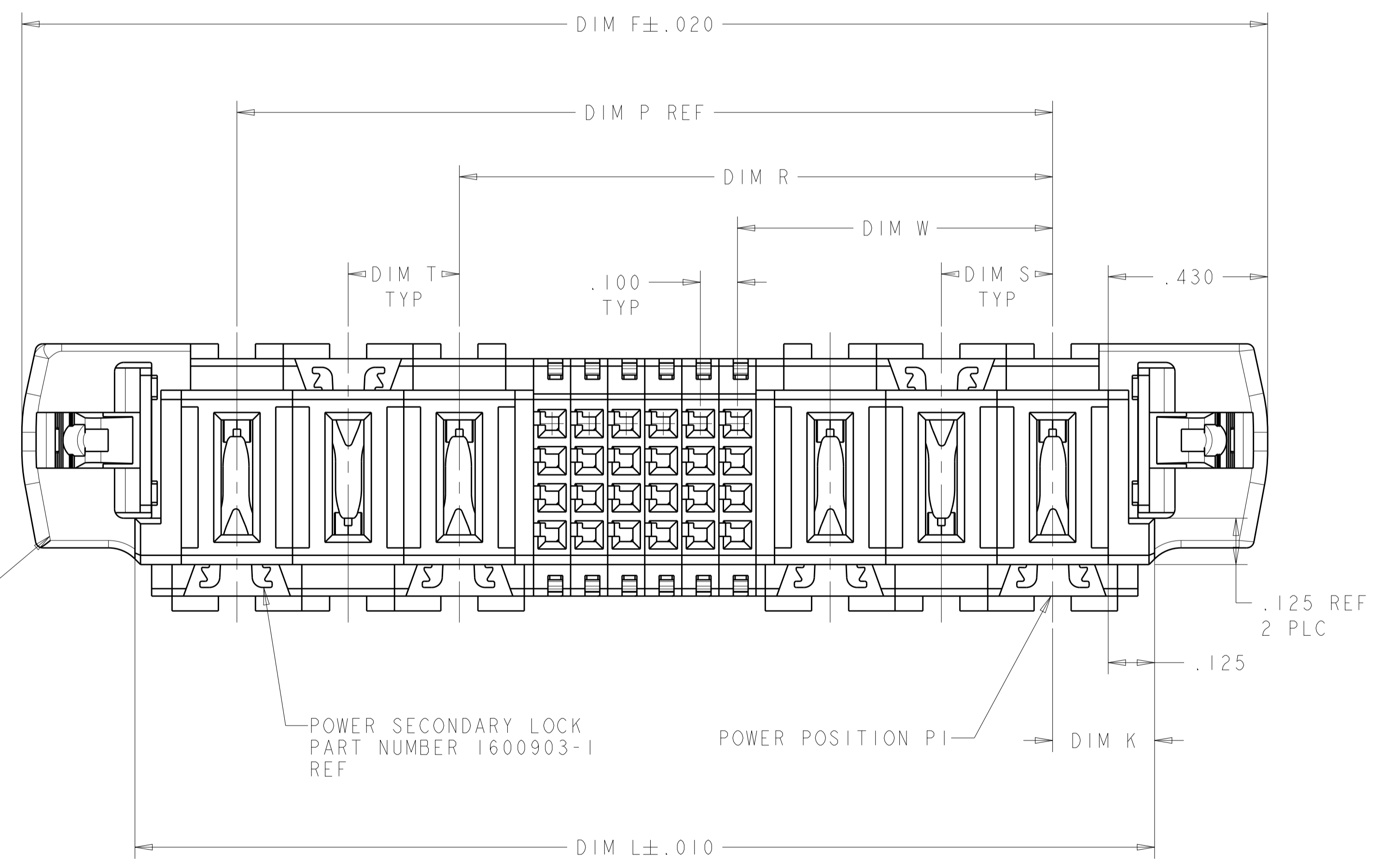
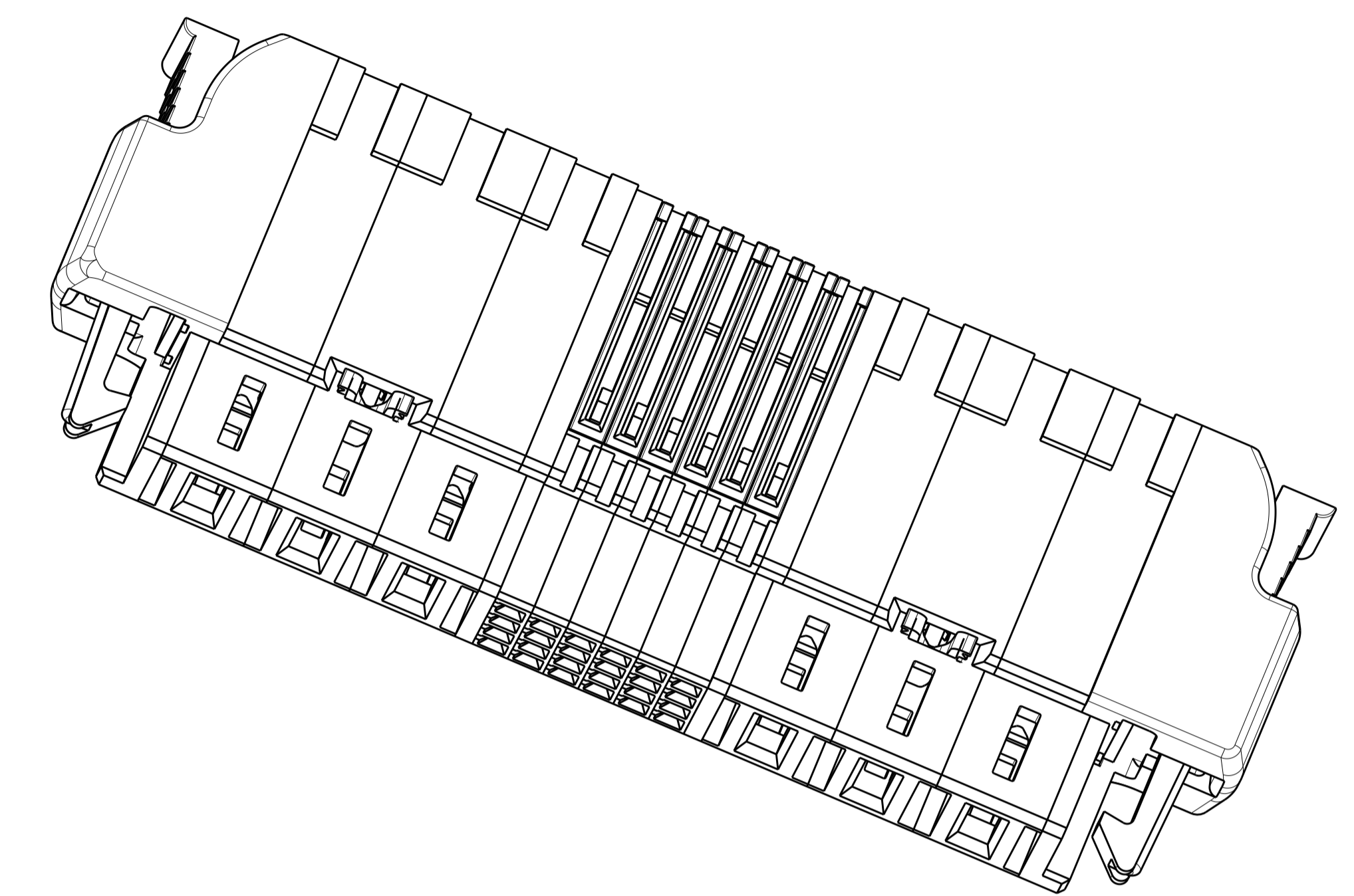
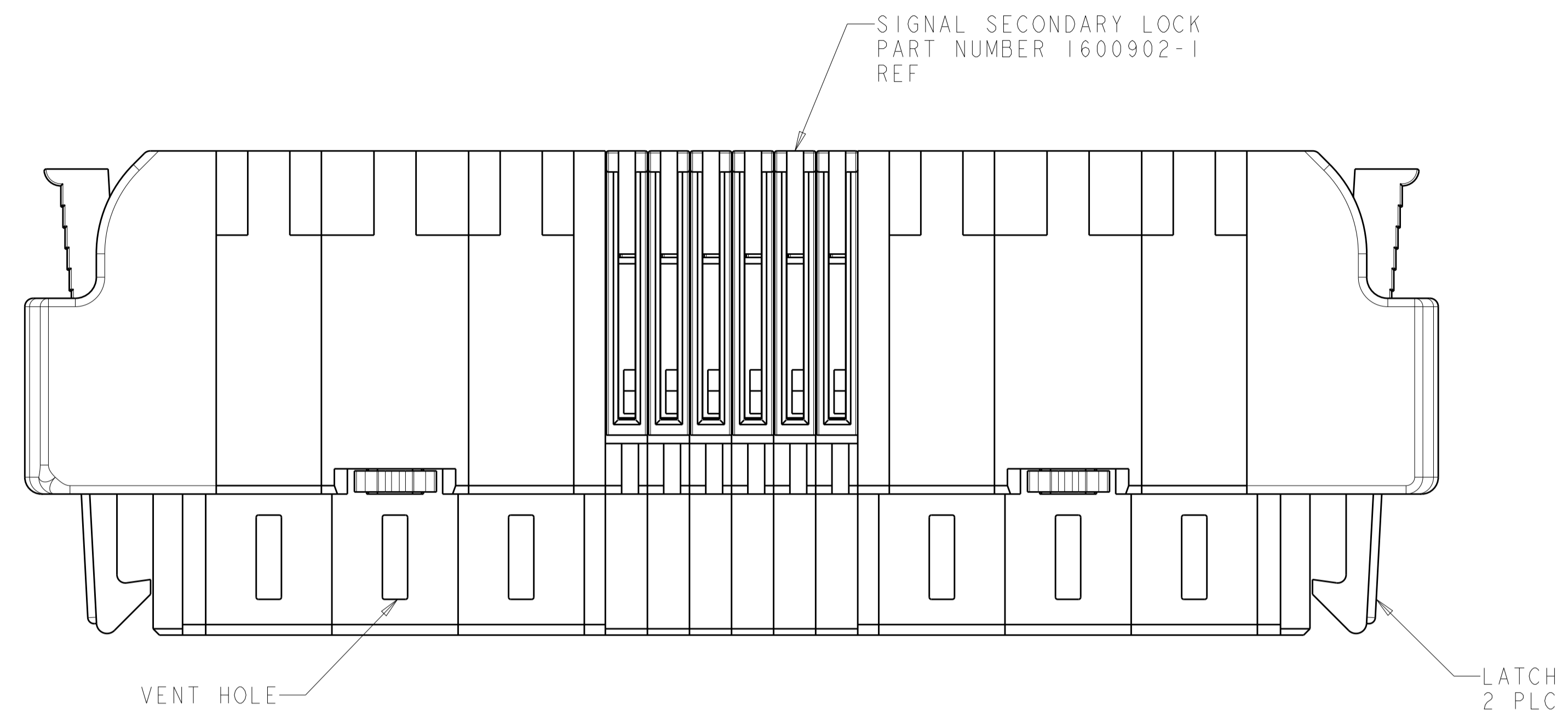
ISOMETRIC VIEW WITH  
OPTIONAL CENTER MODULE  
SCALE 2:1



- ① DIM S IS CENTERLINE SPACING OF POWER MODULE ON RIGHT SIDE OF HOUSING.
- ② DIM T IS CENTERLINE SPACING OF POWER MODULE ON LEFT SIDE OF HOUSING.
- ③ OPTIONAL CENTER MODULE
- ④ COMPANY TRADEMARK, PART NUMBER, AND DATE CODE TO BE MARKED IN APPROX AREA SHOWN. PARTS UNDER 2.00 LONG MAY BE MARKED ON BOTH SIDES.
- ⑤ THERMO PLASTIC, UL94 V-0, BLACK
- ⑥ VARIABLE DIMENSIONS SHOWN ON VIEW (SHEET 2).
- ⑦ NOT RELEASED FOR PRODUCTION.
- ⑧ DIMENSIONS FOR CONFIGURATION "S" PLEASE REFER TO SHEET 3.
- ⑨ THE CONFIGURATION WITH VENT, PLEASE REFER TO SHEET 2.

THIS DRAWING IS A CONTROLLED DOCUMENT.		DWN R. GRZYBOWSKI CHK P. DAMATO	TOMAY05	TE Connectivity
DIMENSIONS: INCHES		APVD P. DAMATO	TOMAY05	
TOLERANCES UNLESS OTHERWISE SPECIFIED:		NAME SQUEEZE TO RELEASE CABLE RECEPTACLE ASSEMBLY W/ LATCHES AND KEY, MULTI-BEAM XLE		RESTRICTED TO
0 PLC ±. 1 PLC ±.01 2 PLC ±.01 3 PLC ±.005 4 PLC ±.0020 ANGLES ±.7°		PRODUCT SPEC 108-2157 APPLICATION SPEC 114-13112		
MATERIAL ⑤		SIZE CAGE CODE DRAWING NO A100779C=1600788		Customer Drawing
		SCALE 4:1		SHEET 1 OF 6

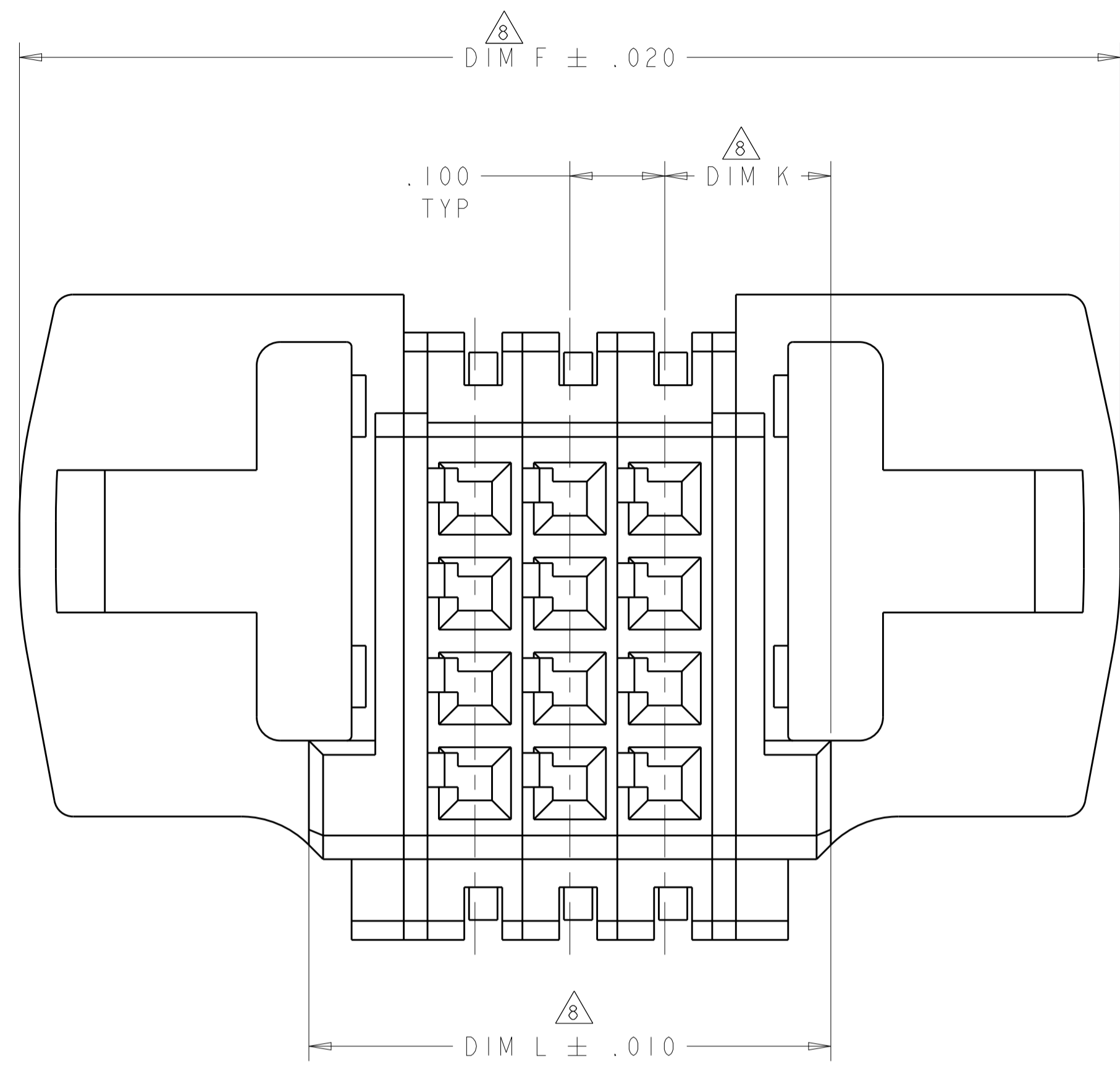
LOC		DIST		REVISIONS			
ES	00	P	LTN	DESCRIPTION	DATE	DMN	APVD
-	-	-	-	SEE SHEET 1	-	-	-



(K2) THE CONFIGURATION WITH VENT HOLES  
PART NO.: 2-1600788-6

THIS DRAWING IS A CONTROLLED DOCUMENT.		DMN R. GRZYBOWSKI CHK P. DAMATO APVD P. DAMATO	TOMAY05 TOMAY05 TOMAY05	 TE Connectivity	NAME SQUEEZE TO RELEASE CABLE RECEPTACLE ASSEMBLY W/ LATCHES AND KEY, MULTI-BEAM XLE	
DIMENSIONS: INCHES	TOLERANCES UNLESS OTHERWISE SPECIFIED:	PRODUCT SPEC 108-2157 APPLICATION SPEC 114-13112	SIZE A100779		CAGE CODE C=1600788	RESTRICTED TO
MATERIAL	FINISH	WEIGHT	Customer Drawing	SCALE 4:1	SHEET 2 OF 6	REV L1

LOC	DIST	REVISIONS					
		P	LTN	DESCRIPTION	DATE	DWN	APVD
ES	00	-	-	SEE SHEET 1	-	-	-



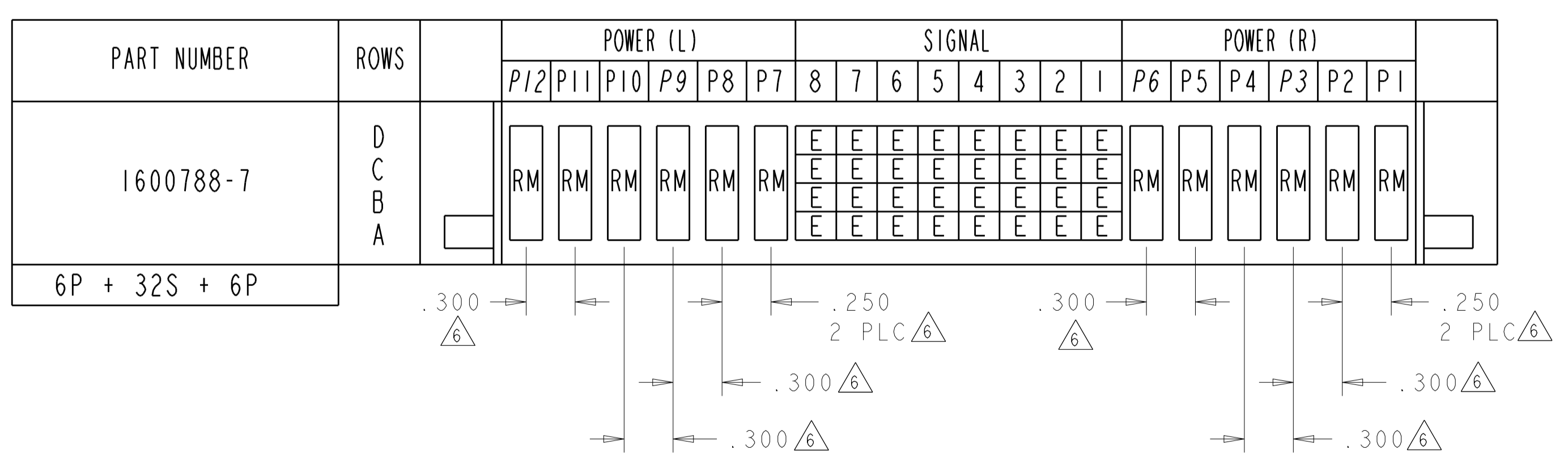
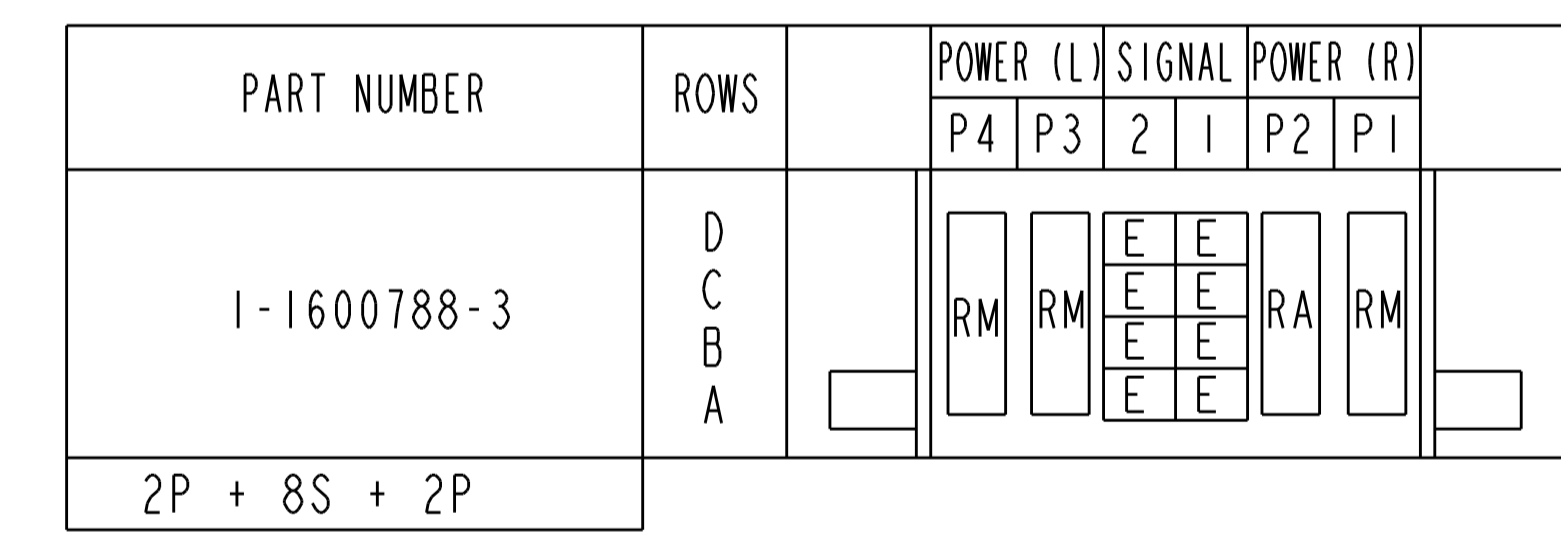
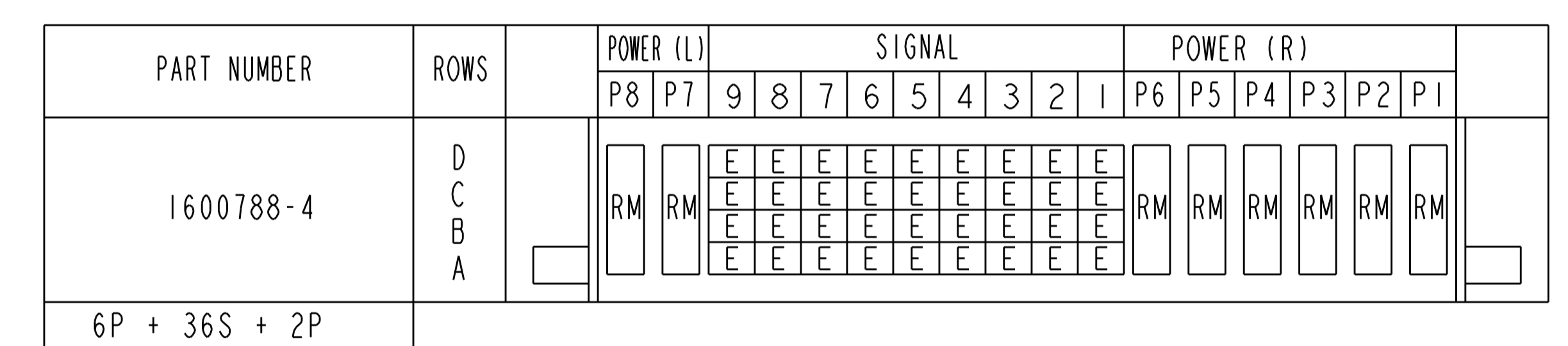
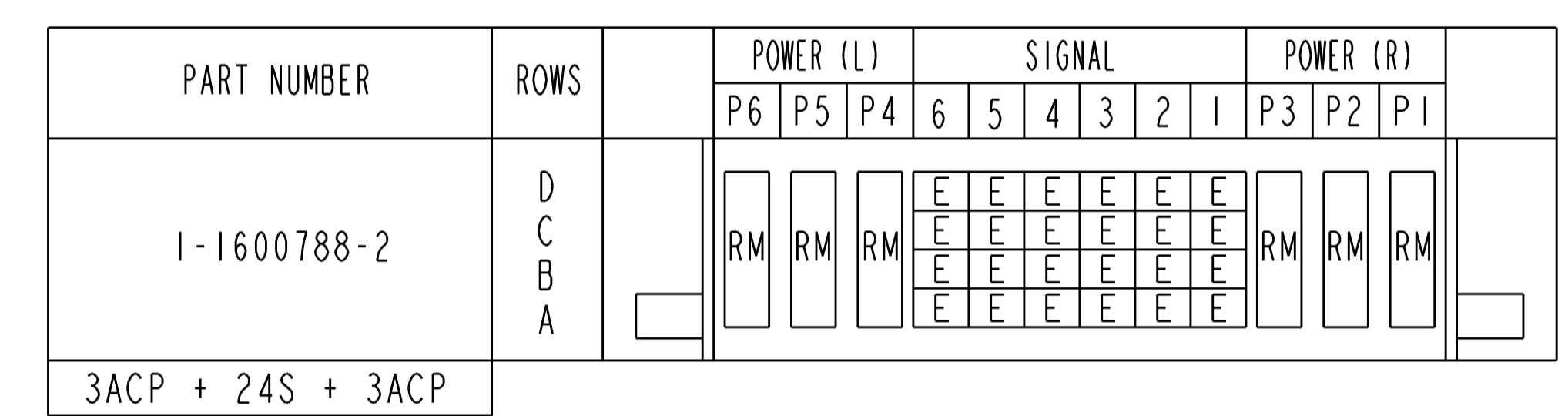
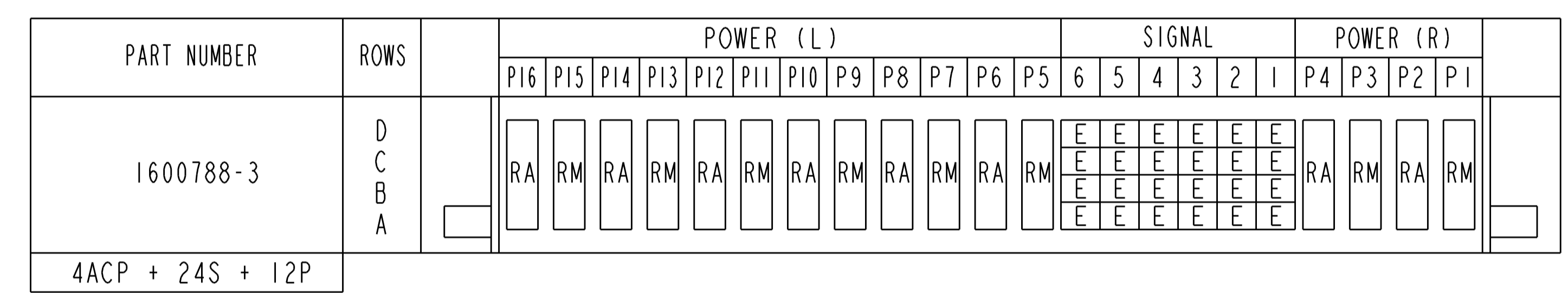
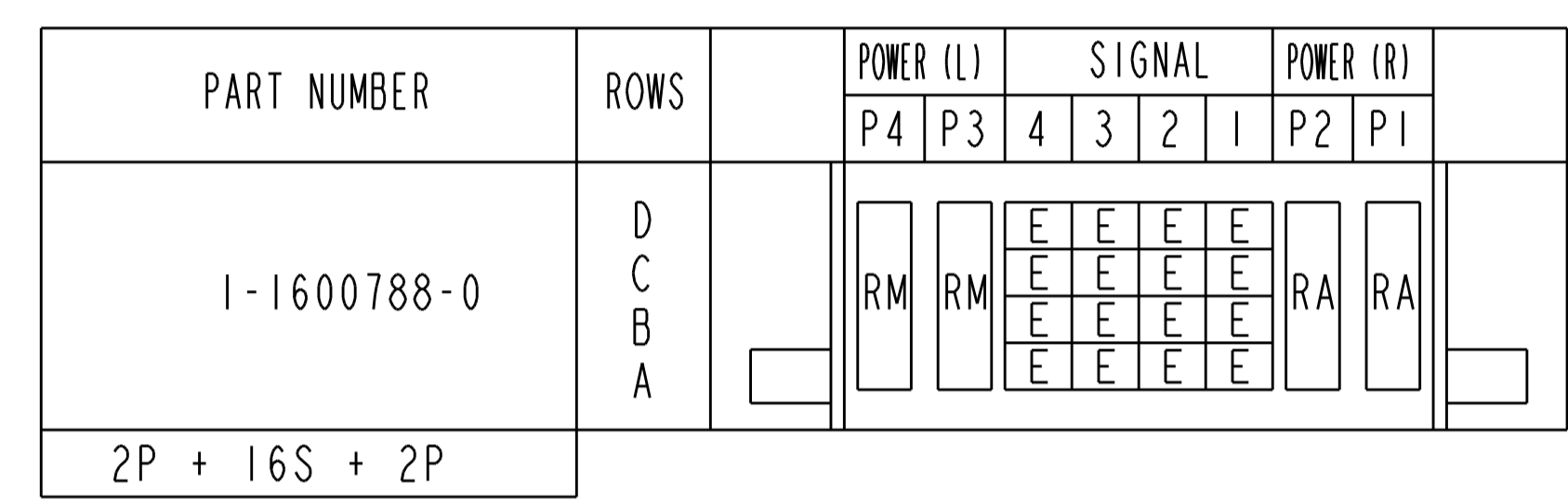
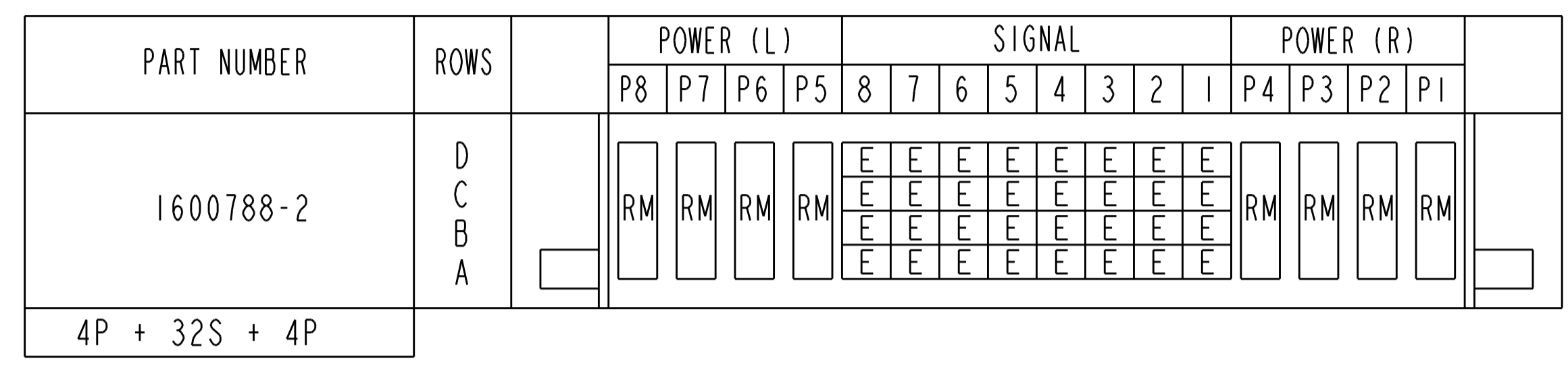
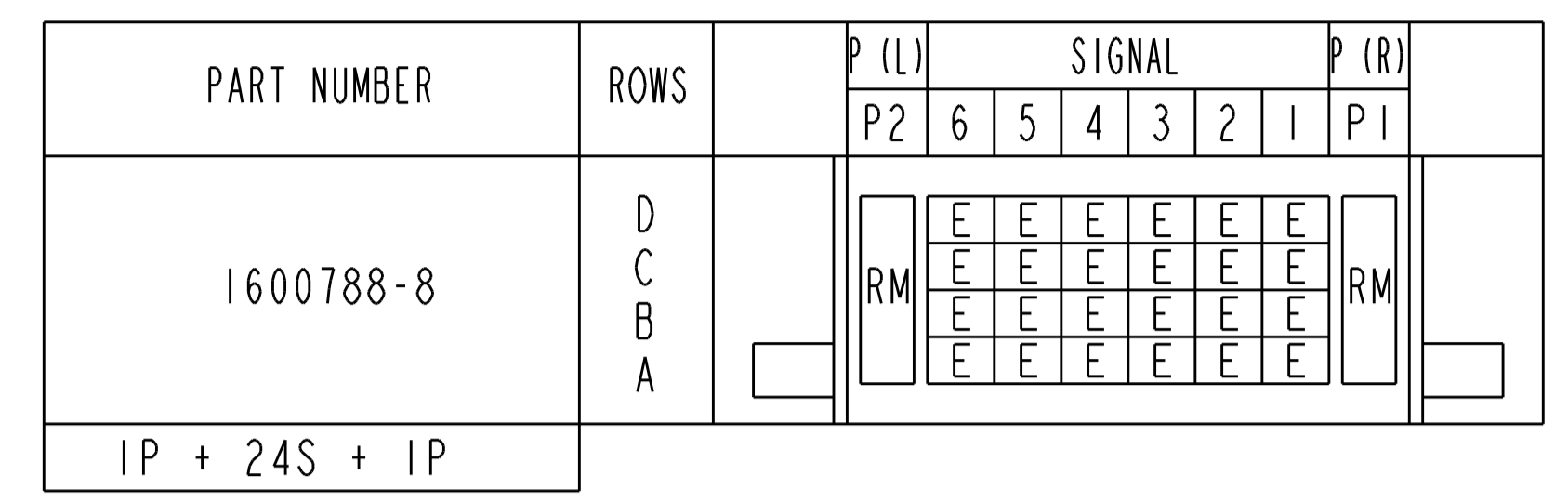
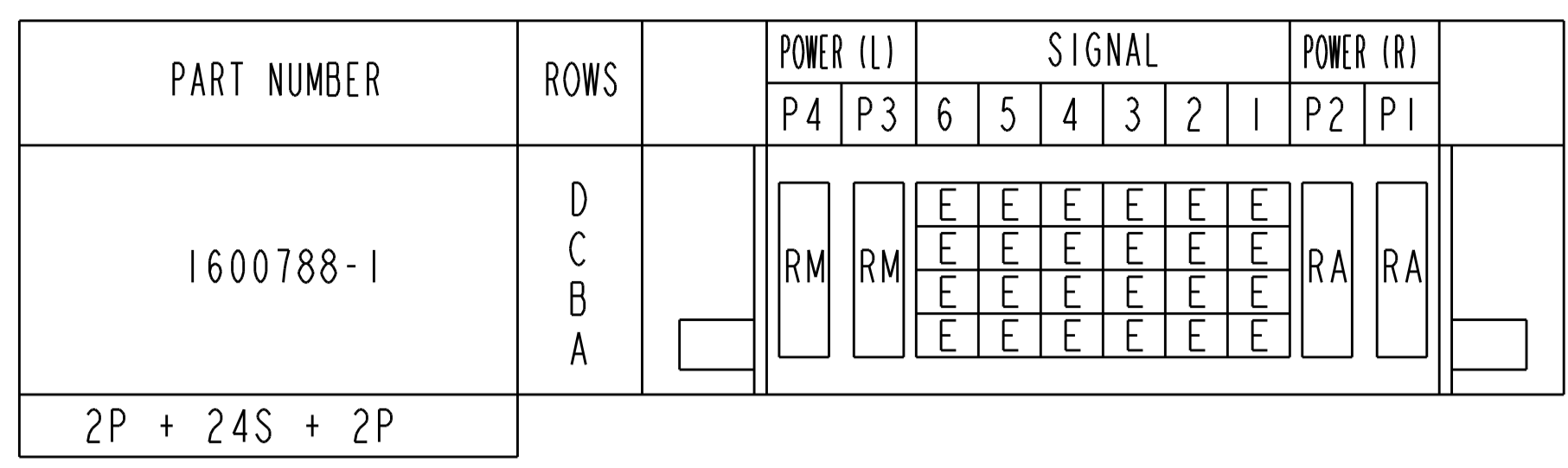
FOR CONFIGURATION "S"  
 PART 2-1600788-7

NO	DIM P	DIM W	DIM T	DIM S	DIM R	DIM L	DIM K	DIM F	DESCRIPTION	PART NUMBER
NO	2.050	.475	.250	.250	1.800	2.500	.225	3.110	2P + 48S + 2P	3-1600788-6
NO	1.250	.475	.250	.250	1.000	1.700	.225	2.310	2P + 16S + 2P	3-1600788-5
NO	.500	.200	-	-	.500	.900	.200	1.510	1HDP + 8S + 1HDP	3-1600788-4
NO	.700	.200	-	-	.700	1.100	.200	1.710	1HDP + 16S + 1HDP	3-1600788-3
NO	-	-	-	-	-	1.325	.200	1.310	16S $\triangle$	3-1600788-1
NO	-	-	-	-	-	1.825	.175	2.435	64S $\triangle$	3-1600788-0
NO	-	-	-	-	-	1.200	.200	1.810	36S $\triangle$	2-1600788-9
NO	1.400	.250	.300	.300	1.400	1.950	.275	2.560	1P + 40S + 1P	2-1600788-8 $\triangle$
NO	-	-	-	-	-	.550	.175	1.160	12S $\triangle$	2-1600788-7
NO	2.200	.850	.300	.300	1.600	2.750	.275	3.360	3ACP + 24S + 3ACP	2-1600788-6 $\triangle$
NO	1.100	.500	.300	.300	.800	1.600	.250	2.210	2ACP + 8S + 2ACP	2-1600788-5
NO	.450	.225	-	-	.450	.900	.225	1.510	1P + 4S + 1P	2-1600788-4
NO	2.400	.850	.300	.300	1.800	2.950	.275	3.560	3ACP + 32S + 3ACP	2-1600788-3
NO	1.600	.550	.300	.300	1.300	2.150	.275	2.760	2ACP + 24S + 2ACP	2-1600788-0
NO	2.200	.850	.300	.300	1.600	2.750	.275	3.360	3ACP + 24S + 3ACP	1-1600788-9
NO	3.450	1.475	.250	.250	2.200	3.900	.225	4.510	6P + 24S + 6P	1-1600788-7
NO	-	-	-	-	-	2.000	.200	2.610	0P + 68S + 0P $\triangle$	1-1600788-6
NO	2.800	1.150	.300	.300	1.900	3.350	.275 $\triangle$	3.960	4ACP + 24S + 4ACP	1-1600788-5
NO	2.450	.975	.250	.250	1.700	2.900	.225	3.510	4P + 24S + 4P	1-1600788-4
NO	1.050	.475	.250	.250	.800	1.500	.225	2.110	2P + 8S + 2P	1-1600788-3
NO	2.200	.850	.300	.300	1.600	2.750	.275	3.360	3ACP + 24S + 3ACP	1-1600788-2
NO	1.250	.475	.250	.250	1.000	1.700	.225	2.310	2P + 16S + 2P	1-1600788-0
NO	1.550	.725	.250	.250	1.050	2.000	.225	2.610	3P + 8S + 3P	1600788-9
NO	.950	.225	-	-	.950	1.400	.225	2.010	1P + 24S + 1P	1600788-8
NO	3.975	1.650	$\triangle$	$\triangle$	2.575	4.475	.225	5.085	6P + 32S + 6P	1600788-7
NO	2.750	1.475	.250	.250	2.500	3.200	.225	3.810	6P + 36S + 2P	1600788-4
NO	4.625	1.150	.250	.300	1.875	5.125	.275	5.735	4ACP + 24S + 12P	1600788-3
NO	2.650	.975	.250	.250	1.900	3.100	.225	3.710	4P + 32S + 4P	1600788-2
NO	1.450	.475	.250	.250	1.200	1.900	.225	2.510	2P + 24S + 2P	1600788-1
CENTER MODULE	DIM P	DIM W	DIM T	DIM S	DIM R	DIM L	DIM K	DIM F	DESCRIPTION	PART NUMBER

THIS DRAWING IS A CONTROLLED DOCUMENT.

DIMENSIONS: INCHES	TOLERANCES UNLESS OTHERWISE SPECIFIED: 0 PLC $\pm$ 1 PLC $\pm .01$ 2 PLC $\pm .005$ 3 PLC $\pm .005$ 4 PLC $\pm .002$ ANGLES $\pm .002$ FINISH	DWN R. GRZYBOWSKI CHK P. DAMATO APVD P. DAMATO	TOMAYOS TOMAYOS TOMAYOS	TE Connectivity
MATERIAL	FINISH	NAME SQUEEZE TO RELEASE CABLE RECEPTACLE ASSEMBLY W/ LATCHES AND KEY, MULTI-BEAM XLE	PRODUCT SPEC 108-2157 APPLICATION SPEC 114-13112	RESTRICTED TO
Customer Drawing	SCALE 4:1	SIZE CAGE CODE DRAWING NO A100779C=1600788	WEIGHT	SHEET 3 OF 6

LOC		DIST		REVISIONS			
ES	00	P	LTN	DESCRIPTION	DATE	OWN	APVD
				SEE SHEET 1			



REFERENCE WIRE CHART AND CONTACTS

HOUSING MODULE	CONTACT	INSULATION DIAMETER RANGE
.300 POWER	8 - 10 REF 1600960	[.176 - .272]
.250 POWER	8 - 10 REF 1600960	[.176 - .203]
	12 - 14 REF 1600961	[.156 - .176]
.200 POWER	12 - 14 REF 1600961	[.120 - .156]
.100 SIGNAL	22 - 26 REF 5531216-5	[.036 - .069]

POWER CONTACT, STD	RM
POWER CONTACT, MFBL	RA
SIGNAL CONTACT	E
DESCRIPTION	CODE
CODES	

THIS DRAWING IS A CONTROLLED DOCUMENT.

OWNER: R. GRZYBOWSKI TOMAYOS  
 CHK: P. DAMATO TOMAYOS  
 APVD: P. DAMATO TOMAYOS

DIMENSIONS: INCHES  
 TOLERANCES UNLESS OTHERWISE SPECIFIED:  
 0 PLC ±  
 1 PLC ±.01  
 2 PLC ±.01  
 3 PLC ±.005  
 4 PLC ±.0020  
 ANGLES ±.02

MATERIAL: FINISH:

PRODUCT SPEC: 108-2157  
 APPLICATION SPEC: 114-13112

WEIGHT: Customer Drawing

SCALE: 4:1 SHEET 4 OF 6 REV: L

NAME: SQUEEZE TO RELEASE CABLE RECEPTACLE ASSEMBLY W/ LATCHES AND KEY, MULTI-BEAM XLE

SIZE: CAGE CODE: DRAWING NO: A100779C=1600788

RESTRICTED TO:

PART NUMBER	ROWS	POWER (L)				SIGNAL						POWER (R)			
		P8	P7	P6	P5	6	5	4	3	2	1	P4	P3	P2	P1
I-1600788-4	D	RM	RM	RM	RM	E	E	E	E	E	E	RM	RM	RM	RM
	C					E	E	E	E	E	E				
	B					E	E	E	E	E	E				
	A					E	E	E	E	E	E				
4P + 24S + 4P															

PART NUMBER	ROWS	POWER (L)			SIGNAL		POWER (R)		
		P6	P5	P4	2	1	P3	P2	P1
1600788-9	D	RM	RM	RM	E	E	RM	RM	RM
	C				E	E			
	B				E	E			
	A				E	E			
3P + 8S + 3P									

PART NUMBER	ROWS	POWER (L)				SIGNAL						POWER (R)			
		P8	P7	P6	P5	6	5	4	3	2	1	P4	P3	P2	P1
I-1600788-5	D	RM	RM	RM	RM	E	E	E	E	E	E	RM	RM	RM	RM
	C					E	E	E	E	E	E				
	B					E	E	E	E	E	E				
	A					E	E	E	E	E	E				
4ACP + 24S + 4ACP															

PART NUMBER	ROWS	POWER			SIGNAL						POWER				
		P6	P5	P4	8	7	6	5	4	3	2	1	P3	P2	P1
2-1600788-3	D	RM	RM	RM	E	E	E	E	E	E	E	E	RM	RM	RM
	C				E	E	E	E	E	E	E				
	B				E	E	E	E	E	E	E				
	A				E	E	E	E	E	E	E				
3ACP+32S+3ACP															

PART NUMBER	ROWS	SIGNAL																
		17	16	15	14	13	12	11	10	9	8	7	6	5	4	3	2	1
I-1600788-6	D	E	E	E	E	E	E	E	E	E	E	E	E	E	E	E	E	E
	C																	
	B																	
	A																	
OP + 68S + OP																		

PART NUMBER	ROWS	P (L)		SIGNAL		P (R)	
		P2	P1	I	P1	P2	P1
2-1600788-4	D	RM	RM	E	E	RM	RM
	C			E	E		
	B			E	E		
	A			E	E		
IP + 4S + IP							

PART NUMBER	ROWS	POWER (L)		SIGNAL		POWER (R)	
		P4	P3	2	1	P2	P1
2-1600788-5	D	RA	RA	E	E	RA	RA
	C			E	E		
	B			E	E		
	A			E	E		
2ACP + 8S + 2ACP							

PART NUMBER	ROWS	POWER (L)					SIGNAL						POWER (R)							
		P12	P11	P10	P9	P8	P7	6	5	4	3	2	1	P6	P5	P4	P3	P2	P1	
I-1600788-7	D	RM	RM	RM	RM	RM	E	E	E	E	E	E	RM	RM	RM	RM	RM	RM		
	C						E	E	E	E	E	E								
	B						E	E	E	E	E	E								
	A						E	E	E	E	E	E								
6P + 24S + 6P																				

PART NUMBER	ROWS	POWER (L)			SIGNAL						POWER (R)			
		P6	P5	P4	6	5	4	3	2	1	P3	P2	P1	
2-1600788-6	D	RA	RM	RM	E	E	E	E	E	E	E	RM	RA	RA
	C				E	E	E	E	E	E				
	B				E	E	E	E	E	E				
	A				E	E	E	E	E	E				
3ACP + 24S + 3ACP														

PART NUMBER	ROWS	POWER (L)			SIGNAL						POWER (R)		
		P6	P5	P4	6	5	4	3	2	1	P3	P2	P1
I-1600788-9	D	RM	RM	RM	E	E	E	E	E	E	RM	RM	RM
	C				E	E	E	E	E				
	B				E	E	E	E	E				
	A				E	E	E	E	E				
3ACP + 24S + 3ACP													

PART NUMBER	ROWS	SIGNAL		
		3	2	1
2-1600788-7	D	E	E	E
	C	E	E	E
	B	E	E	E
	A	E	E	E
12S				

PART NUMBER	ROWS	SIGNAL							
		9	8	7	6	5	4	3	2
2-1600788-9	D	E	E	E	E	E	E	E	E
	C	E	E	E	E	E	E	E	E
	B	E	E	E	E	E	E	E	E
	A	E	E	E	E	E	E	E	E
OP + 36S + OP									

PART NUMBER	ROWS	POWER		SIGNAL						POWER	
		P4	P3	6	5	4	3	2	1	P2	P1
2-1600788-0	D	RM	RM	E	E	E	E	E	E	RM	RM
	C			E	E	E	E	E			
	B			E	E	E	E	E			
	A			E	E	E	E	E			
2ACP+24S+2ACP											

PART NUMBER	ROWS	SIGNAL															
		16	15	14	13	12	11	10	9	8	7	6	5	4	3	2	1
3-1600788-0	D	E	E	E	E	E	E	E	E	E	E	E	E	E	E	E	
	C	E	E	E	E	E	E	E	E	E	E	E	E	E	E	E	
	B	E	E	E	E	E	E	E	E	E	E	E	E	E	E	E	
	A	E	E	E	E	E	E	E	E	E	E	E	E	E	E	E	
64S																	

THIS DRAWING IS A CONTROLLED DOCUMENT.

DIMENSIONS: INCHES

TOLERANCES UNLESS OTHERWISE SPECIFIED:  
 0 PLC ±.  
 1 PLC ±0.01  
 2 PLC ±0.01  
 3 PLC ±0.005  
 4 PLC ±0.0025  
 ANGLES ±0.0025  
 FINISH

MATERIAL: -

OWN: R. GRZYBOWSKI TOMAYOS  
 CHK: P. DAMATO TOMAYOS  
 APVD: P. DAMATO TOMAYOS

PRODUCT SPEC: 108-2157  
 APPLICATION SPEC: 114-13112

WEIGHT: -

Customer Drawing

SCALE: 4:1 SHEET 5 OF 6 REV: L1

STE TE Connectivity

NAME: SQUEEZE TO RELEASE CABLE RECEPTACLE ASSEMBLY W/ LATCHES AND KEY, MULTI-BEAM XLE

SIZE: A100779C=1600788

LOC	DIST	REV	DATE	BY	APP'D
ES	00				

REVOLUTIONS		DATE	BY	APP'D
-	SEE SHEET 1	-	-	-

PART NUMBER	ROWS	SIGNAL			
		4	3	2	1
3-1600788-1	D	E	E	E	E
	C	E	E	E	E
	B	E	E	E	E
	A	E	E	E	E
OP + 16S + OP					

PART NUMBER	ROWS	POWER (L)		SIGNAL				POWER (R)	
		P4	P3	4	3	2	1	P2	P1
3-1600788-5	D	RM	RA	E	E	E	E	RA	RM
	A			E	E	E	E		
2P + 16S + 2P									

NO CONTACTS LOADED FOR ROW B AND D

PART NUMBER	ROWS	PL	SIGNAL										PR		
			P2	10	9	8	7	6	5	4	3	2		1	P1
2-1600788-8	D	RM	E	E	E	E	E	E	E	E	E	E	E	E	RM
	C		E	E	E	E	E	E	E	E	E	E	E		
	B		E	E	E	E	E	E	E	E	E	E	E		
	A		E	E	E	E	E	E	E	E	E	E	E		
2P+40S+1P															

PART NUMBER	ROWS	POWER		SIGNAL												POWER			
		P4	P3	12	11	10	9	8	7	6	5	4	3	2	1	P2	P1		
3-1600788-6	D	RM	RM	E	E	E	E	E	E	E	E	E	E	E	E	E	E	RM	RM
	C			E	E	E	E	E	E	E	E	E	E	E	E	E			
	B			E	E	E	E	E	E	E	E	E	E	E	E	E			
	A			E	E	E	E	E	E	E	E	E	E	E	E	E			
2P+24S+2P																			

PART NUMBER	ROWS	P(L)	SIGNAL				P(R)
			P2	4	3	2	
3-1600788-3	D	RA	E	E	E	E	RM
	C		E	E	E	E	
	B		E	E	E	E	
	A		E	E	E	E	
1HDP + 16S + 1HDP							

PART NUMBER	ROWS	PL	SIGNAL		PR
			P2	2	
3-1600788-4	D	RM	E	E	RM
	C		E	E	
	B		E	E	
	A		E	E	
IP + 8S + IP					

THIS DRAWING IS A CONTROLLED DOCUMENT.		DWN: R. GRZYBOWSKI CHK: P. DAMATO APP'D: P. DAMATO	TOMAY05 TOMAY05 TOMAY05	<b>STE</b> TE Connectivity
DIMENSIONS: INCHES	TOLERANCES UNLESS OTHERWISE SPECIFIED:	NAME: SQUEEZE TO RELEASE CABLE RECEPTACLE ASSEMBLY W/ LATCHES AND KEY, MULTI-BEAM XLE		
	0 PLC ±	PRODUCT SPEC: 108-2157		SIZE: A100779C=1600788
	1 PLC ±0.01	APPLICATION SPEC: 114-13112		
MATERIAL: -	FINISH: -	WEIGHT: -		RESTRICTED TO: -
Customer Drawing			SCALE: 4:1	SHEET 6 OF 6

Компания «Life Electronics» занимается поставками электронных компонентов импортного и отечественного производства от производителей и со складов крупных дистрибьюторов Европы, Америки и Азии.

С конца 2013 года компания активно расширяет линейку поставок компонентов по направлению коаксиальный кабель, кварцевые генераторы и конденсаторы (керамические, пленочные, электролитические), за счёт заключения дистрибьюторских договоров

Мы предлагаем:

- Конкурентоспособные цены и скидки постоянным клиентам.
- Специальные условия для постоянных клиентов.
- Подбор аналогов.
- Поставку компонентов в любых объемах, удовлетворяющих вашим потребностям.
- Приемлемые сроки поставки, возможна ускоренная поставка.
- Доставку товара в любую точку России и стран СНГ.
- Комплексную поставку.
- Работу по проектам и поставку образцов.
- Формирование склада под заказчика.
- Сертификаты соответствия на поставляемую продукцию (по желанию клиента).
- Тестирование поставляемой продукции.
- Поставку компонентов, требующих военную и космическую приемку.
- Входной контроль качества.
- Наличие сертификата ISO.

В составе нашей компании организован Конструкторский отдел, призванный помогать разработчикам, и инженерам.

Конструкторский отдел помогает осуществить:

- Регистрацию проекта у производителя компонентов.
- Техническую поддержку проекта.
- Защиту от снятия компонента с производства.
- Оценку стоимости проекта по компонентам.
- Изготовление тестовой платы монтаж и пусконаладочные работы.



Тел: +7 (812) 336 43 04 (многоканальный)

Email: [org@lifeelectronics.ru](mailto:org@lifeelectronics.ru)