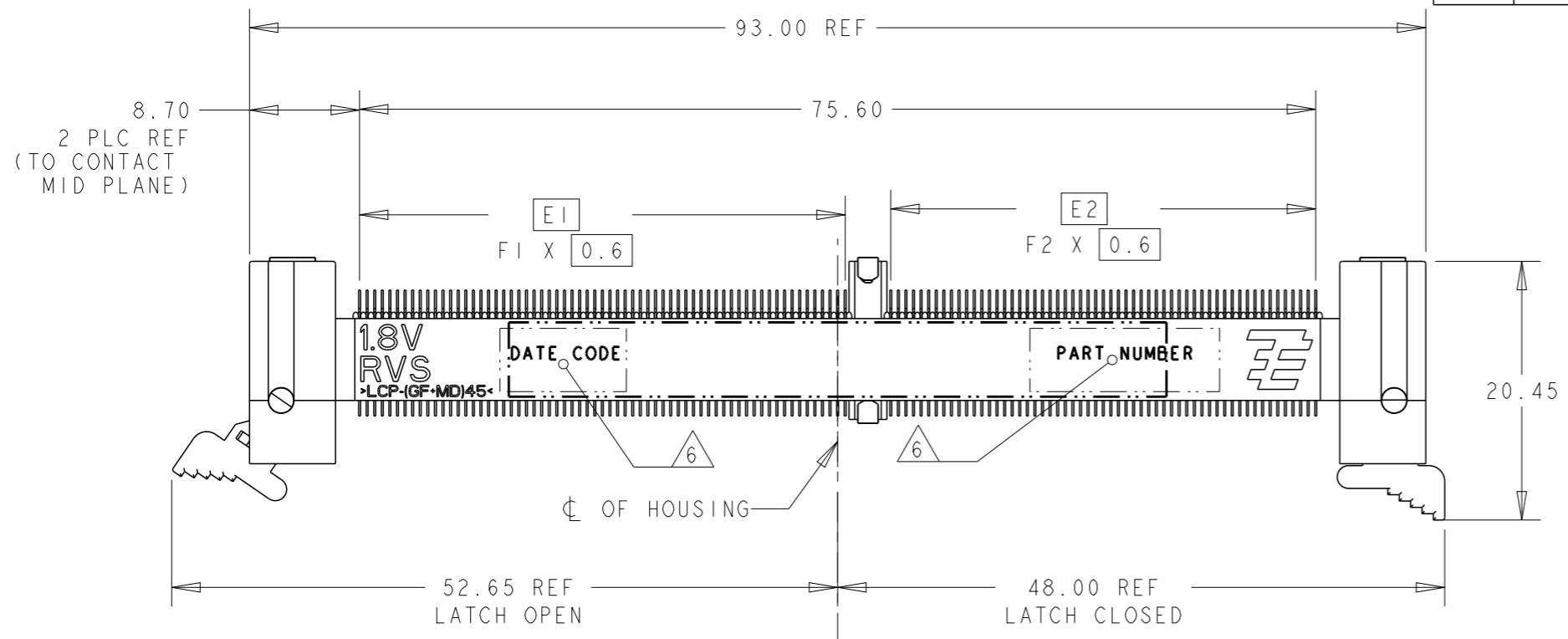


THIS DRAWING IS UNPUBLISHED. RELEASED FOR PUBLICATION .19 .  
 © COPYRIGHT 19 BY AMP INCORPORATED. ALL RIGHTS RESERVED.

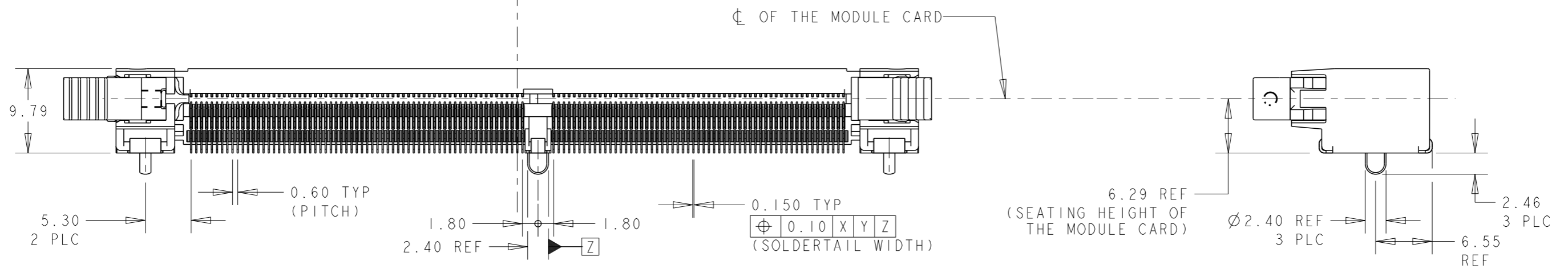
LOC  
DY

DIST  
-

| REVISIONS |     |                           |           |     |      |
|-----------|-----|---------------------------|-----------|-----|------|
| P         | LTR | DESCRIPTION               | DATE      | DWN | APVD |
|           | B5  | REVISED PER ECR-11-022142 | 01NOV2011 | SYJ | LSF  |



- 1 MATERIAL: HOUSING: HIGH TEMP LCP, BLACK, UL94V-0  
LATCHES: HIGH TEMP LCP, NATURAL, UL94V-0  
CONTACTS: COPPER ALLOY  
SOLDERPEGS: COPPER ALLOY
- 2 FINISH: ENGAGEMENT AREAS: 0.76µm MIN GOLD OVER  
1.25µm MIN NICKEL  
SOLDERTAILS: 0.02µm MIN GOLD OVER  
1.25µm MIN NICKEL
- 3 FINISH: ENGAGEMENT AREAS: 0.38µm MIN GOLD OVER  
1.25µm MIN NICKEL  
SOLDERTAILS: 0.02µm MIN GOLD OVER  
1.25µm MIN NICKEL
- 4. ACCEPTS 1.0mm THICK MEMORY MODULE, PER JEDEC MO-244, WITH BEVELS (FOR INSERTION LEAD-IN) REQUIRED.
- 5. PRODUCT SHALL BE PACKED IN JEDEC HARD TRAY (BLACK).
- 6 PART NUMBER AND DATE CODE SHALL BE MARKED LEGIBLY AS SHOWN. DATE CODE FORMAT: YYWWD.



|    |    |      |      |      |      |                                |                 |                |       |
|----|----|------|------|------|------|--------------------------------|-----------------|----------------|-------|
| 64 | 56 | 38.4 | 33.6 | 45.5 | 40.7 | DDR3 (AB/BB/CB) ; STD          | 1.5V            | 3              | 1- -4 |
| 64 | 56 | 38.4 | 33.6 | 45.5 | 40.7 | DDR2 (AA/BA/CA) ; STD          | 1.8V            | 3              | 1- -3 |
| 56 | 64 | 33.6 | 38.4 | 40.7 | 45.5 | DDR3 (AB/BB/CB) ; RVS          | 1.5V            | 3              | 1- -2 |
| 56 | 64 | 33.6 | 38.4 | 40.7 | 45.5 | DDR2 (AA/BA/CA) ; RVS          | 1.8V            | 3              | 1- -1 |
| 64 | 56 | 38.4 | 33.6 | 45.5 | 40.7 | DDR3 (AB/BB/CB) ; STD          | 1.5V            | 2              | -4    |
| 64 | 56 | 38.4 | 33.6 | 45.5 | 40.7 | DDR2 (AA/BA/CA) ; STD          | 1.8V            | 2              | -3    |
| 56 | 64 | 33.6 | 38.4 | 40.7 | 45.5 | DDR3 (AB/BB/CB) ; RVS          | 1.5V            | 2              | -2    |
| 56 | 64 | 33.6 | 38.4 | 40.7 | 45.5 | DDR2 (AA/BA/CA) ; RVS          | 1.8V            | 2              | -1    |
| F2 | F1 | E2   | E1   | B2   | B1   | VARIATION ; ORIENTATION MODULE | VOLTAGE MARKING | CONTACT FINISH | P/N   |

THIS DRAWING IS A CONTROLLED DOCUMENT FOR AMP INCORPORATED. IT IS SUBJECT TO CHANGE AND THE CONTROLLING ENGINEERING ORGANIZATION SHOULD BE CONTACTED FOR THE LATEST REVISION.

|             |  |
|-------------|--|
| DIMENSIONS: | TOLERANCES UNLESS OTHERWISE SPECIFIED: |
| mm          |  |
|             | 0 PLC ±0.25                            |
|             | 1 PLC ±0.13                            |
|             | 2 PLC ±0.10                            |
|             | 3 PLC ±0.10                            |
|             | 4 PLC ±0.10                            |
|             | ANGLES ±1°                             |
| MATERIAL    | FINISH                                 |
| 1           | SEE P/N TABLE                          |

|                  |           |           |
|------------------|-----------|-----------|
| DWN              | WYLEE     | 18MAY2007 |
| CHK              | YJ SEE    |           |
| APVD             | SF LEONG  |           |
| PRODUCT SPEC     | 108-51091 |           |
| APPLICATION SPEC | 114-51011 |           |
| WEIGHT           | -         |           |
| CUSTOMER DRAWING |           |           |

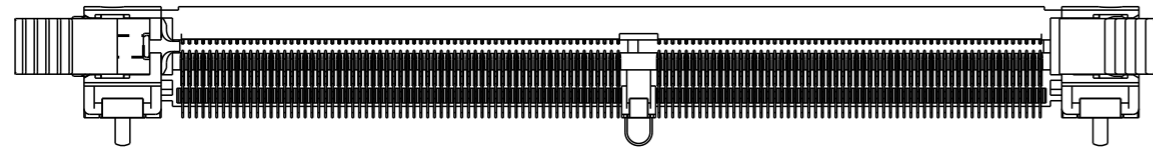
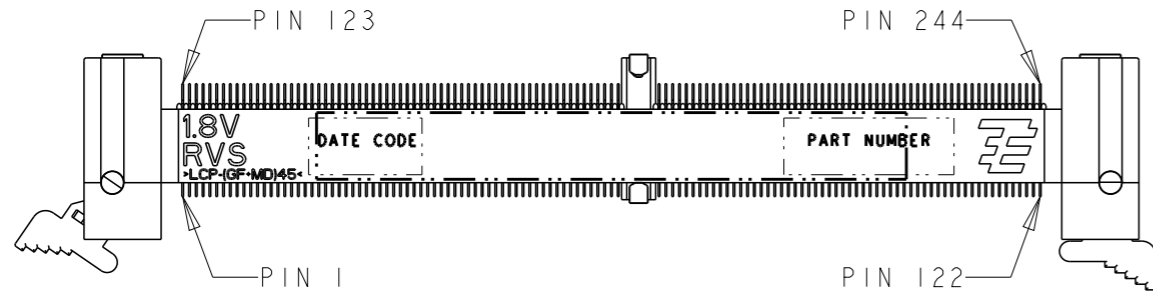
|  |           |                              |
|--|-----------|------------------------------|
|  |           | TE CONNECTIVITY<br>Singapore |
| NAME<br>ASSEMBLY, MINIDIMM, R/A, LF<br>0.60mm PITCH, 244 CKTS,<br>DDR2/3 |           |                              |
| SIZE   | CAGE CODE | DRAWING NO                   |
| A3   | 00779     | 1735438                      |
| SCALE  | SHEET     | OF 5                         |
| 1:1  | 1         | REV B5                       |

P/N -1 AS SHOWN

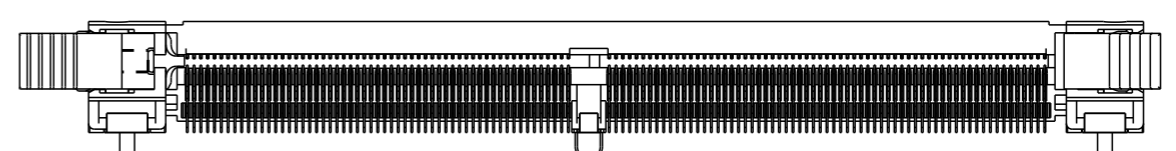
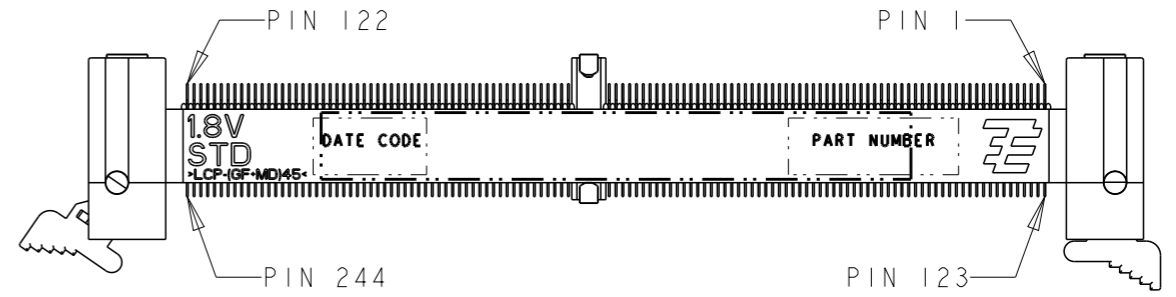
THIS DRAWING IS UNPUBLISHED. RELEASED FOR PUBLICATION .19

© COPYRIGHT 19 BY AMP INCORPORATED. ALL RIGHTS RESERVED.

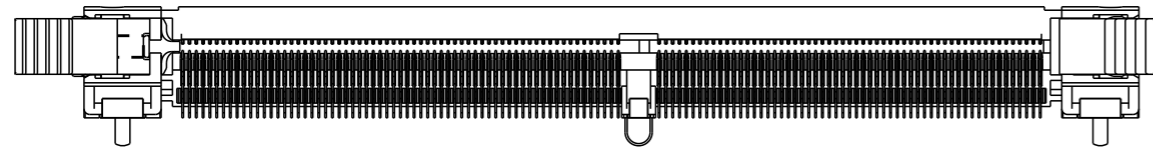
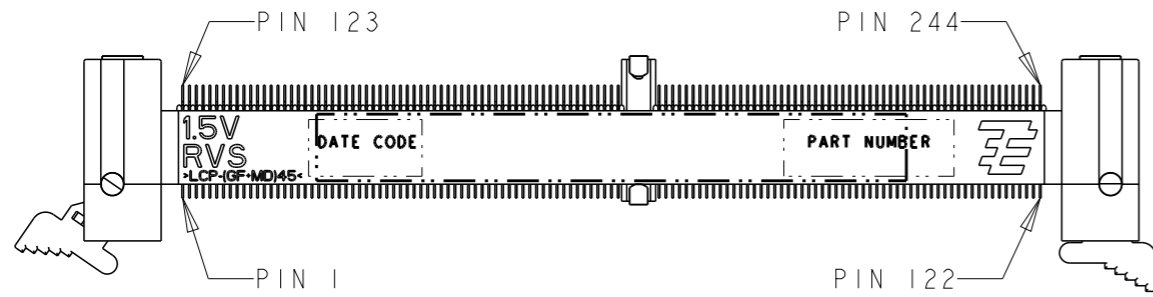
| LOC |  | DIST |  | REVISIONS |     |             |      |     |      |
|-----|--|------|--|-----------|-----|-------------|------|-----|------|
| DY  |  | -    |  | P         | LTR | DESCRIPTION | DATE | DWN | APVD |
|     |  |      |  | -         |     | SEE SHEET 1 | -    | -   | -    |



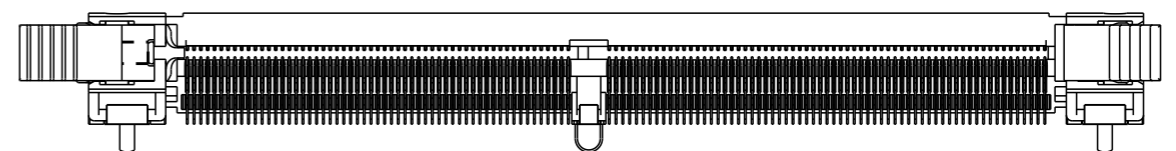
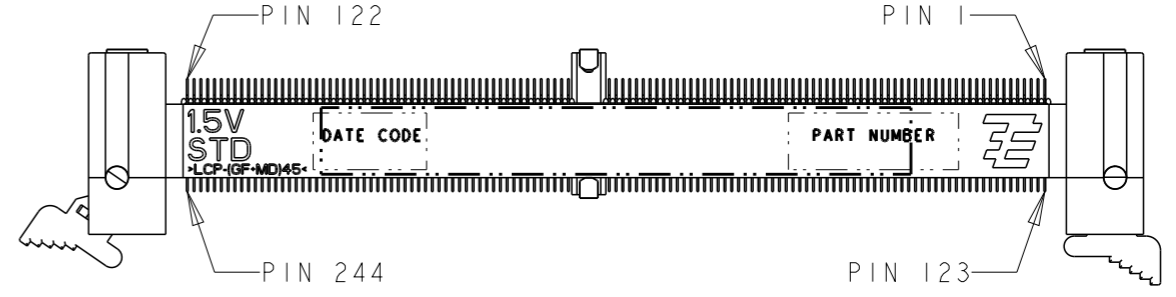
P/N X- -1  
(1.8V RVS)  
SCALE 3:2



P/N X- -3  
(1.8V STD)  
SCALE 3:2



P/N X- -2  
(1.5V RVS)  
SCALE 3:2

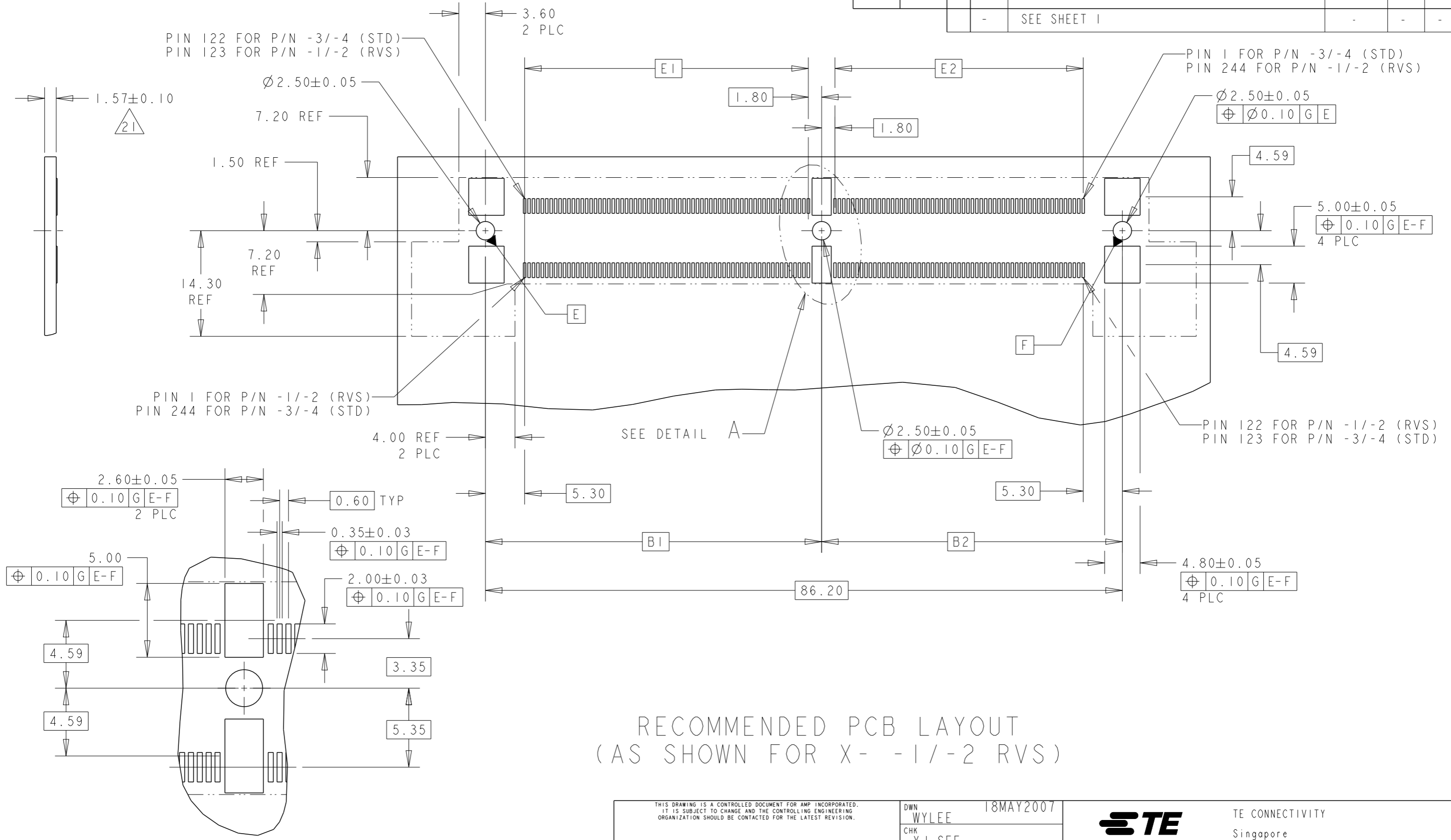


P/N X- -4  
(1.5V STD)  
SCALE 3:2

|  |  |   |                  |                               |                       |
|--|--|---|------------------|-------------------------------|-----------------------|
| <small>THIS DRAWING IS A CONTROLLED DOCUMENT FOR AMP INCORPORATED. IT IS SUBJECT TO CHANGE AND THE CONTROLLING ENGINEERING ORGANIZATION SHOULD BE CONTACTED FOR THE LATEST REVISION.</small> |  | DWN<br>WYLEE  | 18MAY2007        | TE CONNECTIVITY<br>Singapore  |                       |
| DIMENSIONS:<br>mm  |  | CHK<br>YJ SEE   | APVD<br>SF LEONG |                               |                       |
|  |  | TOLERANCES UNLESS OTHERWISE SPECIFIED:<br>0 PLC ±<br>1 PLC ±0.25<br>2 PLC ±0.13<br>3 PLC ±0.10<br>4 PLC ±<br>ANGLES ±1° |                  | PRODUCT SPEC<br>108-51091     | SIZE<br>A3            |
| MATERIAL<br>   |  | FINISH<br>SEE<br>P/N TABLE  |                  | APPLICATION SPEC<br>114-51011 | CAGE CODE<br>00779    |
|  |  | CUSTOMER DRAWING  |                  | WEIGHT<br>-                   | DRAWING NO<br>1735438 |
|  |  |   |                  | SCALE<br>3:2                  | SHEET 2 OF 5          |
|  |  |   |                  | REV<br>B5                     |                       |

THIS DRAWING IS UNPUBLISHED. RELEASED FOR PUBLICATION .19  
 © COPYRIGHT 19 BY AMP INCORPORATED. ALL RIGHTS RESERVED.

| LOC | DIST | REVISIONS |     |             |      |     |      |
|-----|------|-----------|-----|-------------|------|-----|------|
| DY  | -    | P         | LTR | DESCRIPTION | DATE | DWN | APVD |
|     |      | -         |     | SEE SHEET 1 | -    | -   | -    |



RECOMMENDED PCB LAYOUT  
 (AS SHOWN FOR X- -1/-2 RVS)

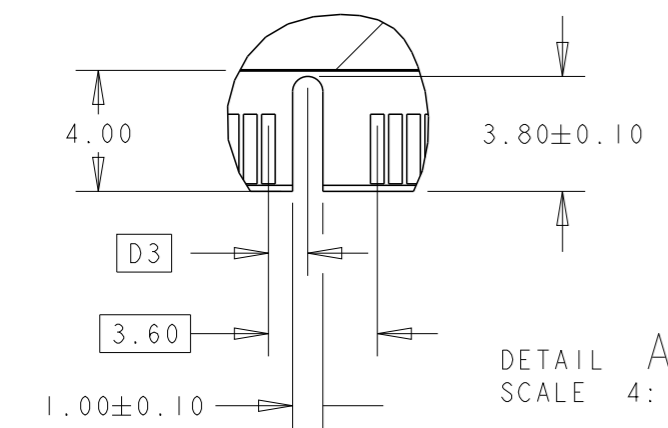
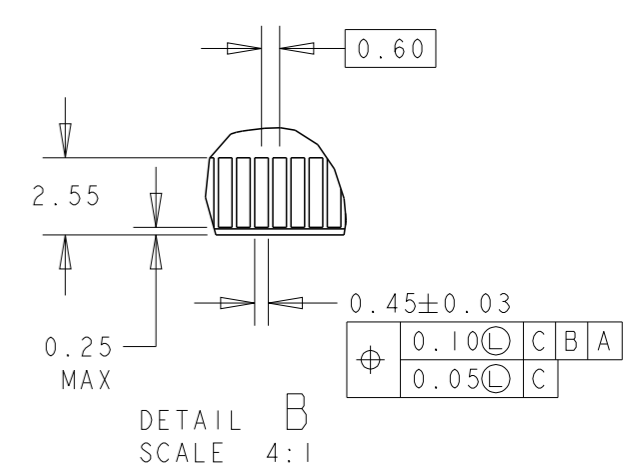
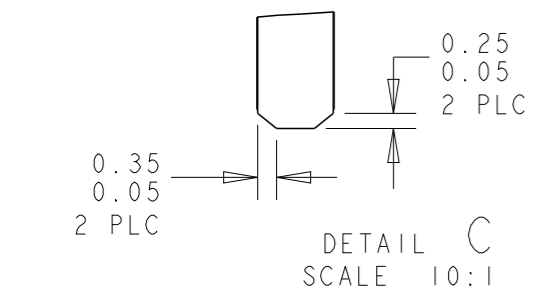
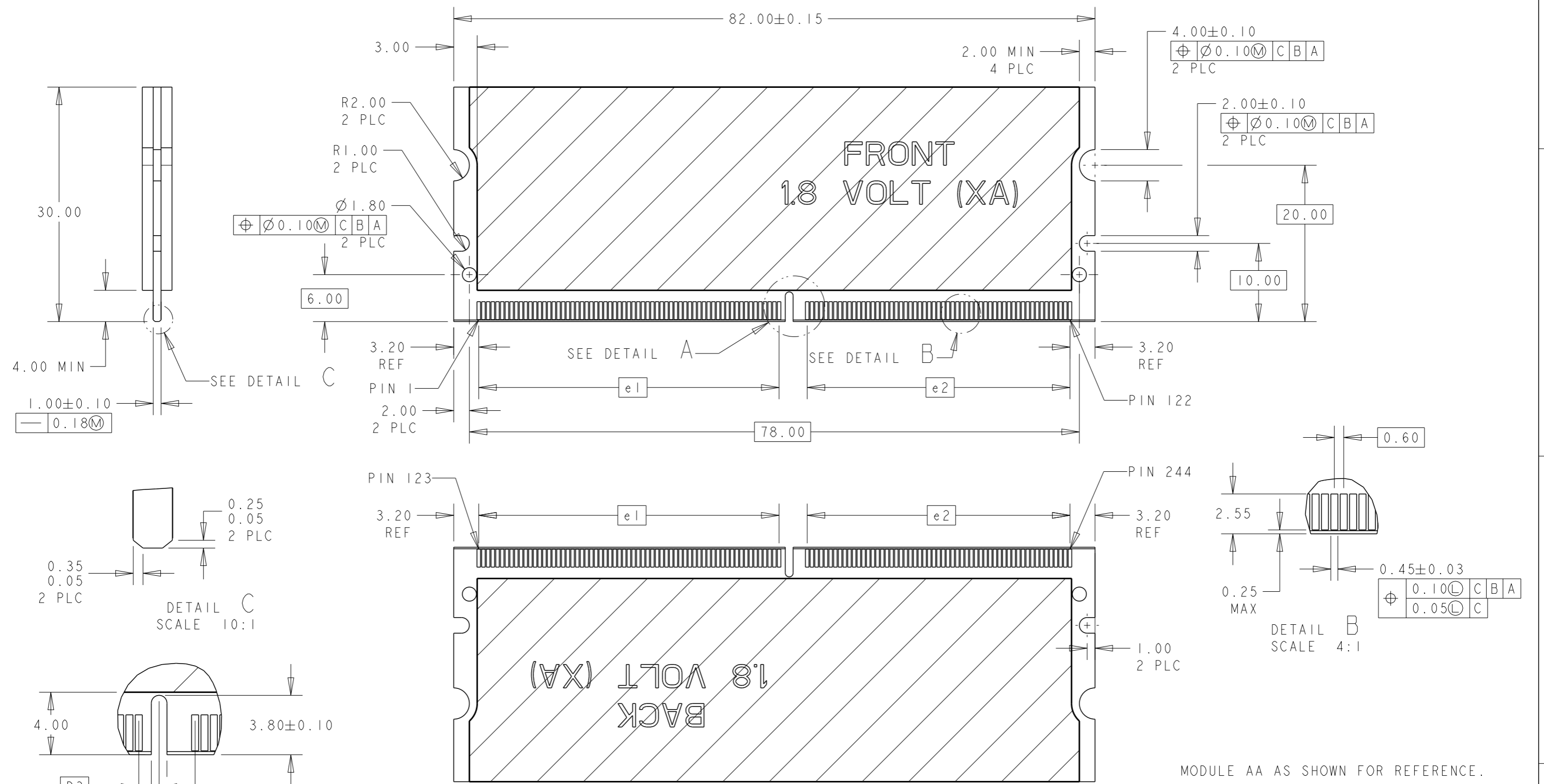
DETAIL A  
 SCALE 4:1

NOTES:  
 21 PCB THICKNESS IS NOT PART OF THE RECOMMENDED DIMENSIONS FOR THIS PRODUCT. THE DESIGN OF THIS CONNECTOR IS NOT DEPENDENT ON THE PCB THICKNESS.

|   |        |                           |                               |   |
|---|--------|---------------------------|-------------------------------|---|
| THIS DRAWING IS A CONTROLLED DOCUMENT FOR AMP INCORPORATED. IT IS SUBJECT TO CHANGE AND THE CONTROLLING ENGINEERING ORGANIZATION SHOULD BE CONTACTED FOR THE LATEST REVISION. |        | DWN<br>WYLEE              | 18MAY2007                     | <b>STE</b> TE CONNECTIVITY<br>Singapore |
| DIMENSIONS:<br>mm   |        | CHK<br>YJ SEE             | APVD<br>SF LEONG              |   |
| TOLERANCES UNLESS OTHERWISE SPECIFIED:<br>0 PLC ±.25<br>1 PLC ±0.25<br>2 PLC ±0.13<br>3 PLC ±0.10<br>4 PLC ±.10<br>ANGLES ±1°   |        | PRODUCT SPEC<br>108-51091 | APPLICATION SPEC<br>114-51011 | SIZE<br>A3                              |
| MATERIAL  | FINISH | WEIGHT<br>-               | CAGE CODE<br>00779            | DRAWING NO<br>C=1735438                 |
| CUSTOMER DRAWING  |        |                           | SCALE<br>2:1                  | SHEET<br>3 OF 5                         |
|   |        |                           |                               | REV<br>B5                               |

THIS DRAWING IS UNPUBLISHED. RELEASED FOR PUBLICATION .19 .  
 © COPYRIGHT 19 BY AMP INCORPORATED. ALL RIGHTS RESERVED.

|           |           |             |      |     |
|-----------|-----------|-------------|------|-----|
| LOC<br>DY | DIST<br>- | REVISIONS   |      |     |
| P         | LTR       | DESCRIPTION | DATE | DWN |
| -         | -         | SEE SHEET 1 | -    | -   |



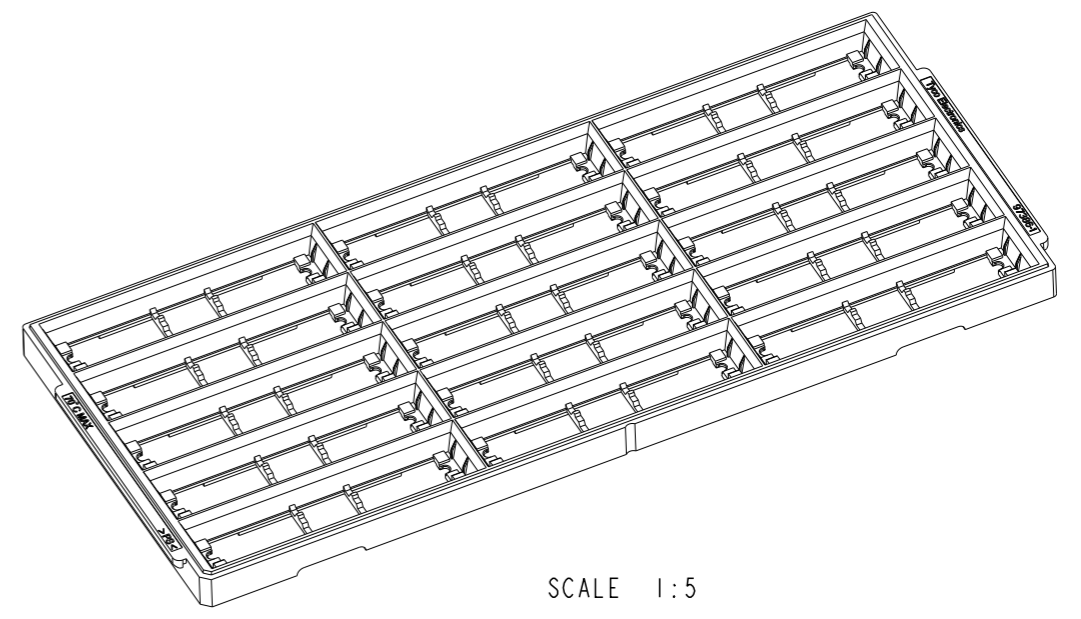
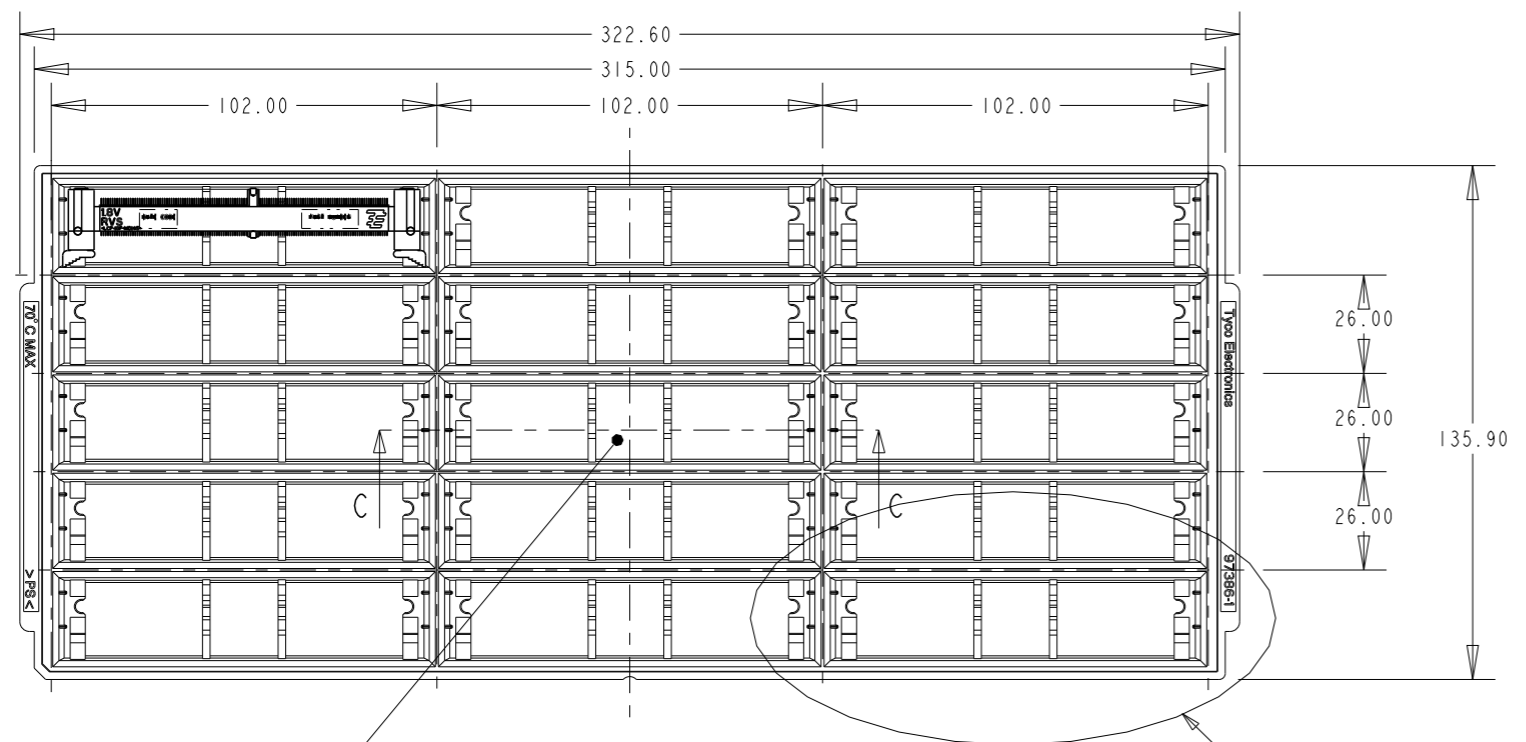
|                          |     |      |      |                 |                  |
|--------------------------|-----|------|------|-----------------|------------------|
| FOR P/N X- -2 AND X- -4. | 2.3 | 33.6 | 38.4 | 1.5V            | AB/BB/CB         |
| FOR P/N X- -1 AND X- -3. | 1.3 | 33.6 | 38.4 | 1.8V            | AA/BA/CA         |
| REMARKS                  | D3  | e2   | e1   | VOLTAGE MARKING | MODULE VARIATION |

THIS DRAWING IS A CONTROLLED DOCUMENT FOR AMP INCORPORATED. IT IS SUBJECT TO CHANGE AND THE CONTROLLING ENGINEERING ORGANIZATION SHOULD BE CONTACTED FOR THE LATEST REVISION.

|                               |           |  |
|-------------------------------|-----------|--|
| DWN<br>WYLEE                  | 18MAY2007 | <b>STE</b> TE CONNECTIVITY<br>Singapore                                  |
| CHK<br>YJ SEE                 |           |  |
| APVD<br>SF LEONG              |           | NAME<br>ASSEMBLY, MINIDIMM, R/A, LF<br>0.60mm PITCH, 244 CKTS,<br>DDR2/3 |
| PRODUCT SPEC<br>108-51091     |           | SIZE<br>A3   |
| APPLICATION SPEC<br>114-51011 |           | CAGE CODE<br>00779   |
| WEIGHT<br>-                   |           | DRAWING NO<br>C-1735438  |
| CUSTOMER DRAWING              |           | SCALE<br>1:1   |
|                               |           | SHEET<br>4 OF 5  |
|                               |           | REV<br>B5  |

THIS DRAWING IS UNPUBLISHED. RELEASED FOR PUBLICATION .19 .  
 © COPYRIGHT 19 BY AMP INCORPORATED. ALL RIGHTS RESERVED.

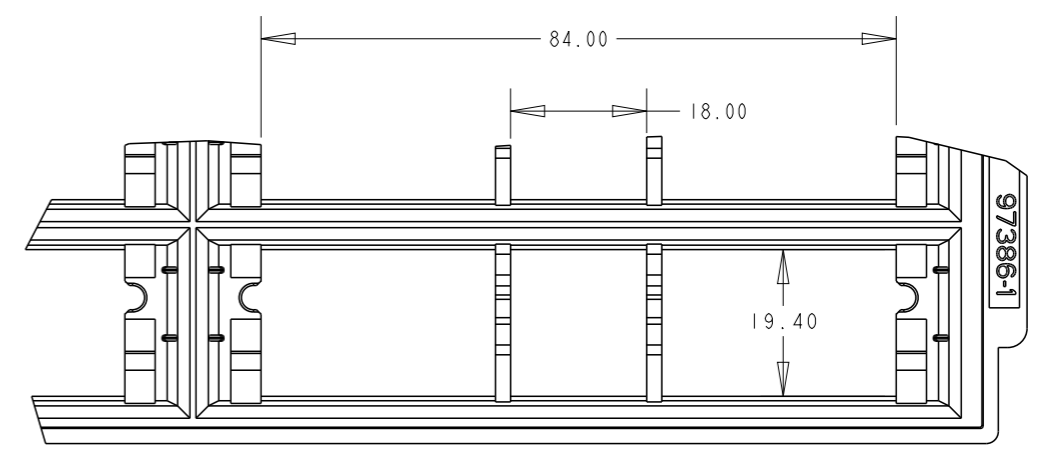
| LOC | DIST | REVISIONS   |      |     |      |
|-----|------|-------------|------|-----|------|
| P   | LTR  | DESCRIPTION | DATE | DWN | APVD |
| DY  | -    | SEE SHEET 1 | -    | -   | -    |



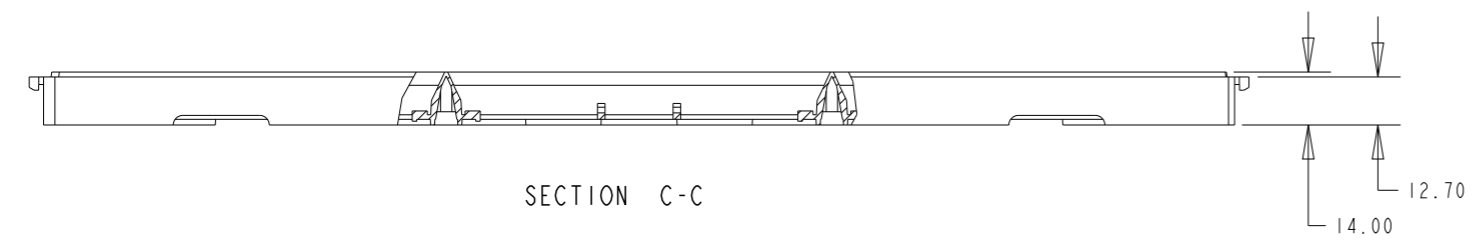
SCALE 1:5

Base of centre pocket is solid.

SEE DETAIL A



DETAIL A  
SCALE 2:1



SECTION C-C

|  |   |  |  |
|--|---|--|--|
| <small>THIS DRAWING IS A CONTROLLED DOCUMENT FOR AMP INCORPORATED. IT IS SUBJECT TO CHANGE AND THE CONTROLLING ENGINEERING ORGANIZATION SHOULD BE CONTACTED FOR THE LATEST REVISION.</small> |   | DWN WYLEE 18MAY2007<br>CHK YJ SEE<br>APVD SF LEONG<br>PRODUCT SPEC 108-51091<br>APPLICATION SPEC 114-51011<br>WEIGHT - | <b>STE</b> TE CONNECTIVITY<br>Singapore<br>NAME ASSEMBLY, MINIDIMM, R/A, LF<br>0.60mm PITCH, 244 CKTS,<br>DDR2/3 |
| DIMENSIONS:<br>mm<br>  | TOLERANCES UNLESS OTHERWISE SPECIFIED:<br>0 PLC ±<br>1 PLC ±0.25<br>2 PLC ±0.13<br>3 PLC ±0.10<br>4 PLC ±<br>ANGLES ±1° | SIZE A3<br>CAGE CODE 00779<br>DRAWING NO ©-1735438   | SCALE 1:1<br>SHEET 5 OF 5<br>REV B5  |
| MATERIAL   | FINISH  | CUSTOMER DRAWING   |  |

Компания «Life Electronics» занимается поставками электронных компонентов импортного и отечественного производства от производителей и со складов крупных дистрибьюторов Европы, Америки и Азии.

С конца 2013 года компания активно расширяет линейку поставок компонентов по направлению коаксиальный кабель, кварцевые генераторы и конденсаторы (керамические, пленочные, электролитические), за счёт заключения дистрибьюторских договоров

Мы предлагаем:

- Конкуренеспособные цены и скидки постоянным клиентам.
- Специальные условия для постоянных клиентов.
- Подбор аналогов.
- Поставку компонентов в любых объемах, удовлетворяющих вашим потребностям.
- Приемлемые сроки поставки, возможна ускоренная поставка.
- Доставку товара в любую точку России и стран СНГ.
- Комплексную поставку.
- Работу по проектам и поставку образцов.
- Формирование склада под заказчика.
- Сертификаты соответствия на поставляемую продукцию (по желанию клиента).
- Тестирование поставляемой продукции.
- Поставку компонентов, требующих военную и космическую приемку.
- Входной контроль качества.
- Наличие сертификата ISO.

В составе нашей компании организован Конструкторский отдел, призванный помогать разработчикам, и инженерам.

Конструкторский отдел помогает осуществить:

- Регистрацию проекта у производителя компонентов.
- Техническую поддержку проекта.
- Защиту от снятия компонента с производства.
- Оценку стоимости проекта по компонентам.
- Изготовление тестовой платы монтаж и пусконаладочные работы.



Тел: +7 (812) 336 43 04 (многоканальный)

Email: [org@lifeelectronics.ru](mailto:org@lifeelectronics.ru)