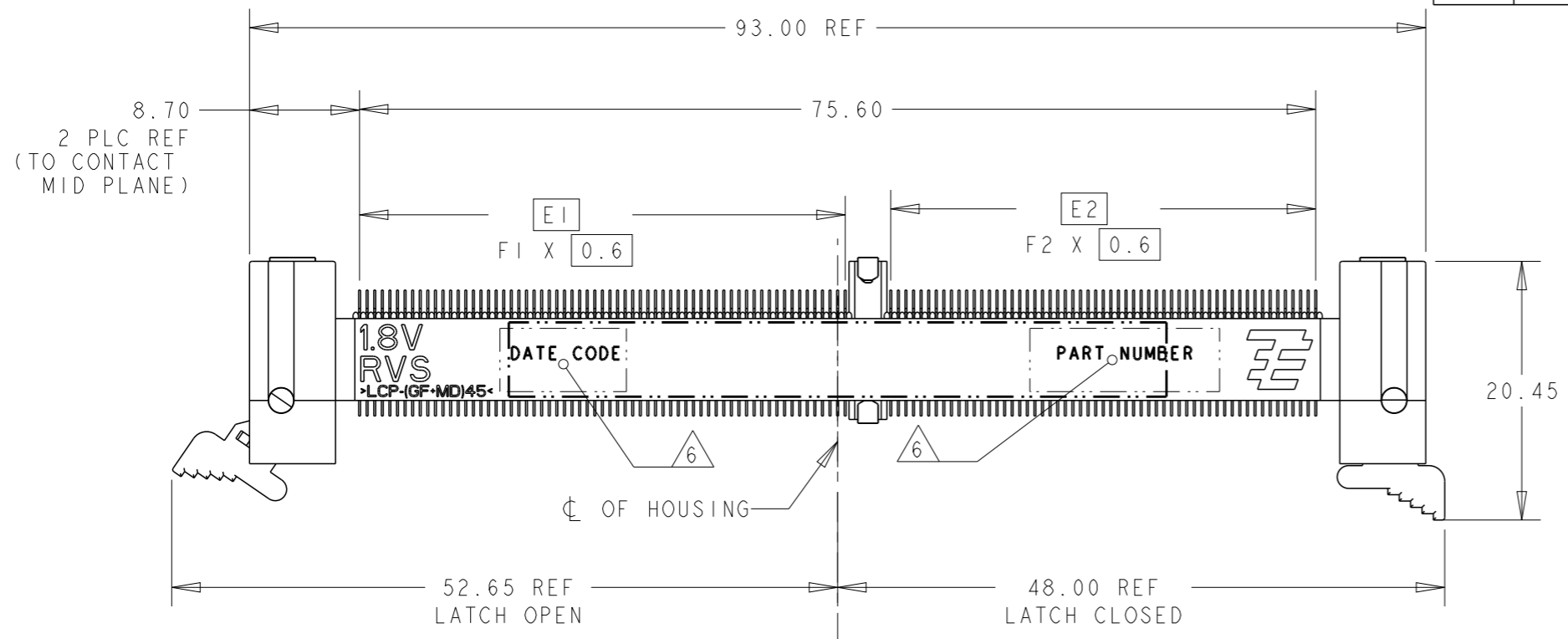


THIS DRAWING IS UNPUBLISHED. RELEASED FOR PUBLICATION .19 .
 © COPYRIGHT 19 BY AMP INCORPORATED. ALL RIGHTS RESERVED.

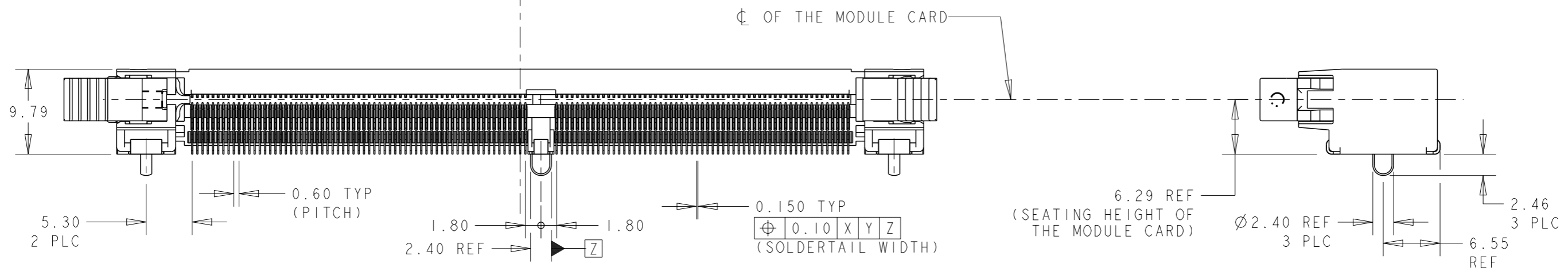
LOC
DY

DIST
-

REVISIONS					
P	LTR	DESCRIPTION	DATE	DWN	APVD
	B5	REVISED PER ECR-11-022142	01NOV2011	SYJ	LSF



- 1 MATERIAL: HOUSING: HIGH TEMP LCP, BLACK, UL94V-0
LATCHES: HIGH TEMP LCP, NATURAL, UL94V-0
CONTACTS: COPPER ALLOY
SOLDERPEGS: COPPER ALLOY
- 2 FINISH: ENGAGEMENT AREAS: 0.76µm MIN GOLD OVER
1.25µm MIN NICKEL
SOLDERTAILS: 0.02µm MIN GOLD OVER
1.25µm MIN NICKEL
- 3 FINISH: ENGAGEMENT AREAS: 0.38µm MIN GOLD OVER
1.25µm MIN NICKEL
SOLDERTAILS: 0.02µm MIN GOLD OVER
1.25µm MIN NICKEL
- 4 ACCEPTS 1.0mm THICK MEMORY MODULE, PER JEDEC MO-244,
WITH BEVELS (FOR INSERTION LEAD-IN) REQUIRED.
- 5 PRODUCT SHALL BE PACKED IN JEDEC HARD TRAY (BLACK).
- 6 PART NUMBER AND DATE CODE SHALL BE MARKED LEGIBLY
AS SHOWN. DATE CODE FORMAT: YYWWD.



64	56	38.4	33.6	45.5	40.7	DDR3 (AB/BB/CB) ; STD	1.5V	3	1- -4
64	56	38.4	33.6	45.5	40.7	DDR2 (AA/BA/CA) ; STD	1.8V	3	1- -3
56	64	33.6	38.4	40.7	45.5	DDR3 (AB/BB/CB) ; RVS	1.5V	3	1- -2
56	64	33.6	38.4	40.7	45.5	DDR2 (AA/BA/CA) ; RVS	1.8V	3	1- -1
64	56	38.4	33.6	45.5	40.7	DDR3 (AB/BB/CB) ; STD	1.5V	2	-4
64	56	38.4	33.6	45.5	40.7	DDR2 (AA/BA/CA) ; STD	1.8V	2	-3
56	64	33.6	38.4	40.7	45.5	DDR3 (AB/BB/CB) ; RVS	1.5V	2	-2
56	64	33.6	38.4	40.7	45.5	DDR2 (AA/BA/CA) ; RVS	1.8V	2	-1
F2	F1	E2	E1	B2	B1	VARIATION ; ORIENTATION MODULE	VOLTAGE MARKING	CONTACT FINISH	P/N

THIS DRAWING IS A CONTROLLED DOCUMENT FOR AMP INCORPORATED. IT IS SUBJECT TO CHANGE AND THE CONTROLLING ENGINEERING ORGANIZATION SHOULD BE CONTACTED FOR THE LATEST REVISION.

DWN WYLEE 18MAY2007
 CHK YJ SEE
 APVD SF LEONG
 PRODUCT SPEC 108-51091
 APPLICATION SPEC 114-51011
 WEIGHT -

STE TE CONNECTIVITY
Singapore

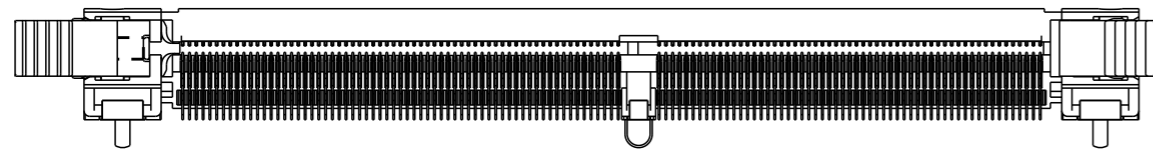
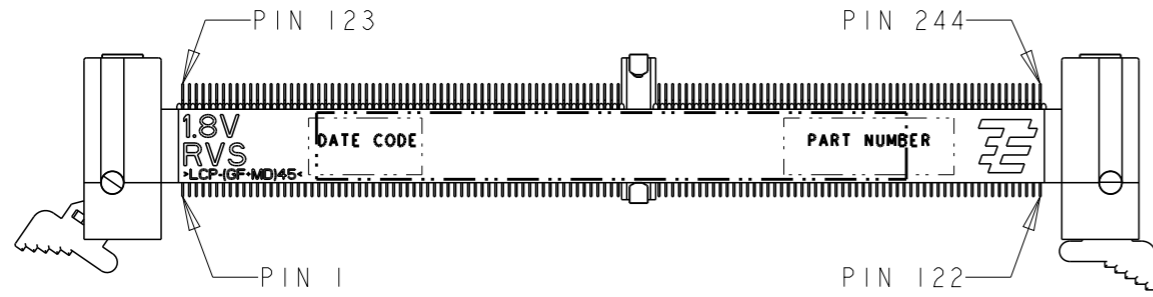
NAME ASSEMBLY, MINIDIMM, R/A, LF
0.60mm PITCH, 244 CKTS,
DDR2/3

SIZE A3 CAGE CODE 00779 DRAWING NO C-1735438

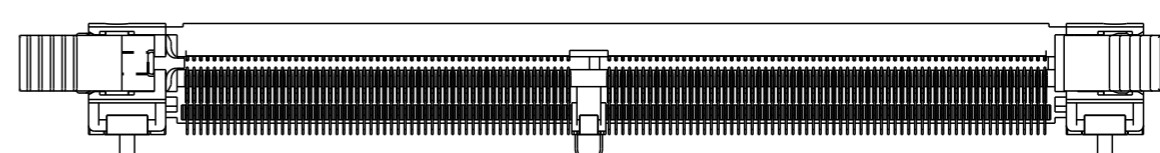
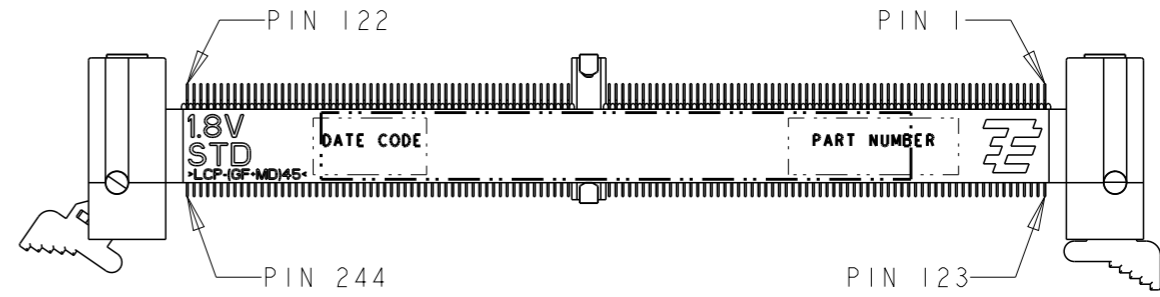
CUSTOMER DRAWING SCALE 1:1 SHEET 1 OF 5 REV B5

THIS DRAWING IS UNPUBLISHED. RELEASED FOR PUBLICATION .19 .
 © COPYRIGHT 19 BY AMP INCORPORATED. ALL RIGHTS RESERVED.

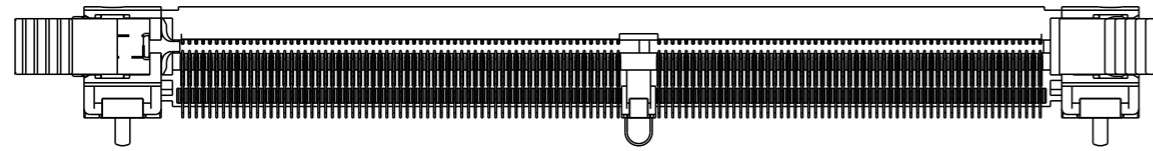
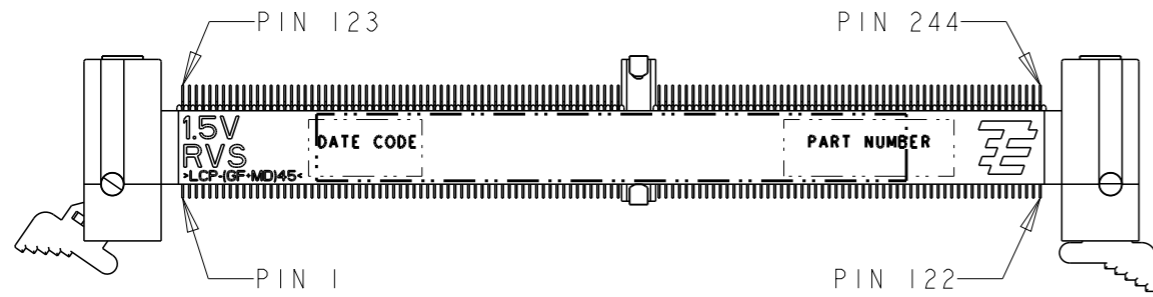
LOC	DIST	REVISIONS			
P	LTR	DESCRIPTION	DATE	DWN	APVD
DY	-	SEE SHEET 1	-	-	-



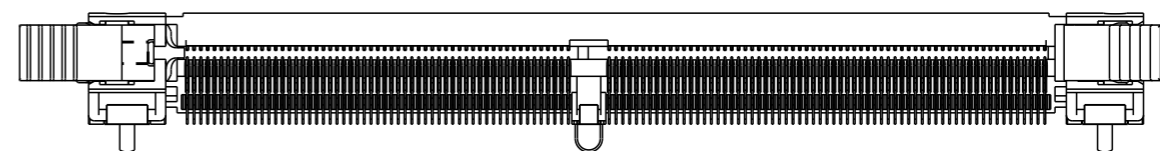
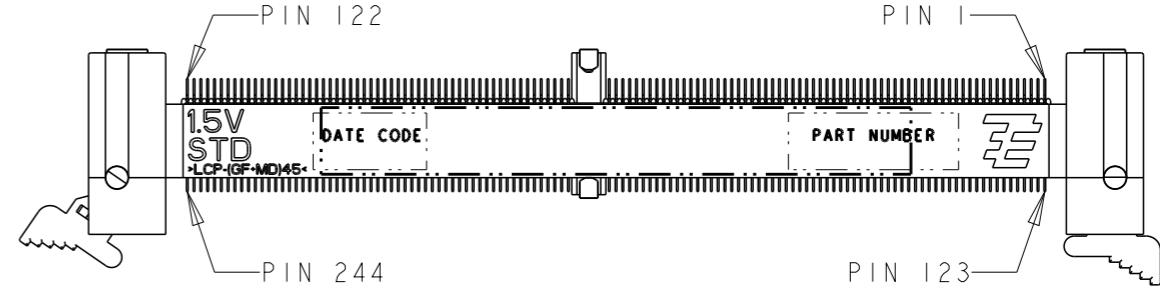
P/N X- -1
(1.8V RVS)
SCALE 3:2



P/N X- -3
(1.8V STD)
SCALE 3:2



P/N X- -2
(1.5V RVS)
SCALE 3:2

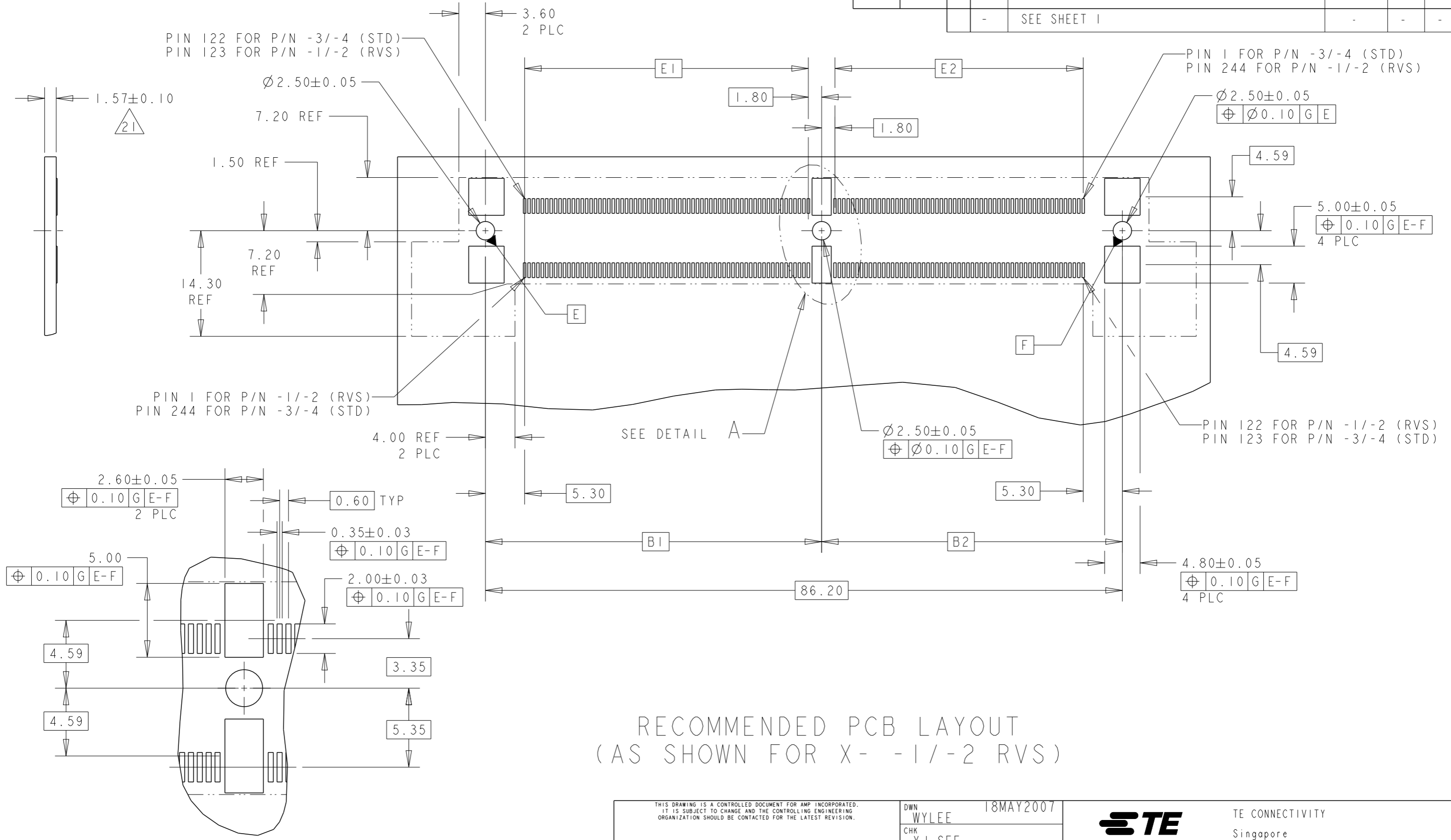


P/N X- -4
(1.5V STD)
SCALE 3:2

THIS DRAWING IS A CONTROLLED DOCUMENT FOR AMP INCORPORATED. IT IS SUBJECT TO CHANGE AND THE CONTROLLING ENGINEERING ORGANIZATION SHOULD BE CONTACTED FOR THE LATEST REVISION.		DWN 18MAY2007 WYLEE CHK YJ SEE APVD SF LEONG PRODUCT SPEC 108-51091 APPLICATION SPEC 114-51011 WEIGHT - CUSTOMER DRAWING	STE TE CONNECTIVITY Singapore NAME ASSEMBLY, MINIDIMM, R/A, LF 0.60mm PITCH, 244 CKTS, DDR2/3 SIZE A3 CAGE CODE 00779 DRAWING NO ©-1735438 SCALE 3:2 SHEET 2 OF 5 REV B5
DIMENSIONS: mm 	TOLERANCES UNLESS OTHERWISE SPECIFIED: 0 PLC ± 1 PLC ±0.25 2 PLC ±0.13 3 PLC ±0.10 4 PLC ± ANGLES ±1°	MATERIAL 	FINISH SEE P/N TABLE

THIS DRAWING IS UNPUBLISHED. RELEASED FOR PUBLICATION .19
 © COPYRIGHT 19 BY AMP INCORPORATED. ALL RIGHTS RESERVED.

LOC	DIST	REVISIONS					
DY	-	P	LTR	DESCRIPTION	DATE	DWN	APVD
		-		SEE SHEET 1			



RECOMMENDED PCB LAYOUT
 (AS SHOWN FOR X- -1/-2 RVS)

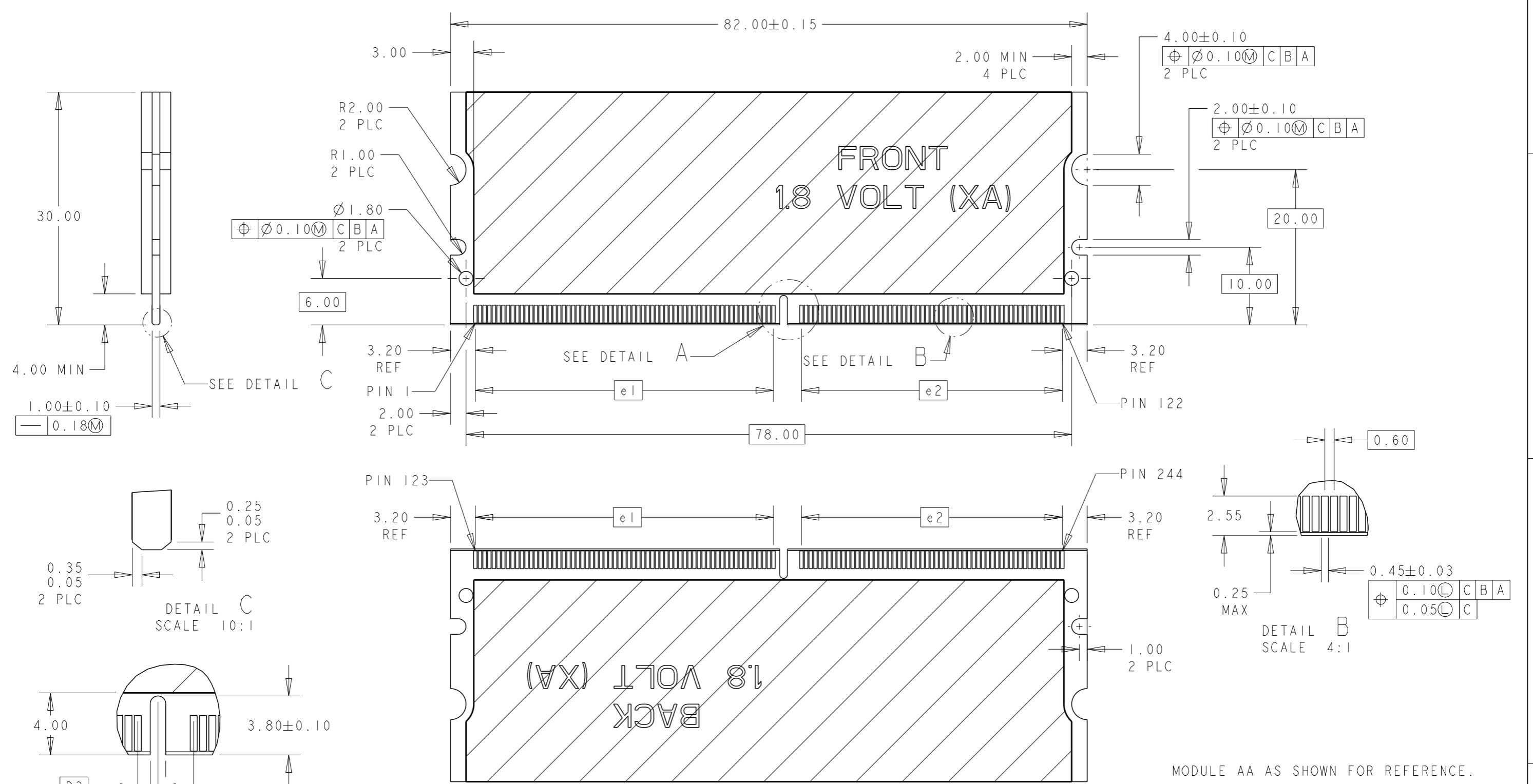
DETAIL A
 SCALE 4:1

NOTES:
 21 PCB THICKNESS IS NOT PART OF THE RECOMMENDED DIMENSIONS FOR THIS PRODUCT. THE DESIGN OF THIS CONNECTOR IS NOT DEPENDENT ON THE PCB THICKNESS.

THIS DRAWING IS A CONTROLLED DOCUMENT FOR AMP INCORPORATED. IT IS SUBJECT TO CHANGE AND THE CONTROLLING ENGINEERING ORGANIZATION SHOULD BE CONTACTED FOR THE LATEST REVISION.		DWN WYLEE 18MAY2007	STE TE CONNECTIVITY Singapore	
DIMENSIONS: mm		CHK YJ SEE	NAME ASSEMBLY, MINIDIMM, R/A, LF 0.60mm PITCH, 244 CKTS, DDR2/3	
TOLERANCES UNLESS OTHERWISE SPECIFIED: 0 PLC ±.25 1 PLC ±0.25 2 PLC ±0.13 3 PLC ±0.10 4 PLC ±. ANGLES ±1°		APVD SF LEONG	DRAWING NO C=1735438	
MATERIAL		PRODUCT SPEC 108-51091	SIZE A3	CAGE CODE 00779
FINISH		APPLICATION SPEC 114-51011	DRAWING NO C=1735438	
		WEIGHT -	SCALE 2:1	
		CUSTOMER DRAWING	SHEET 3 OF 5 REV B5	

THIS DRAWING IS UNPUBLISHED. RELEASED FOR PUBLICATION .19 .
 BY AMP INCORPORATED. ALL RIGHTS RESERVED.

LOC DY	DIST -	REVISIONS		
P	LTR	DESCRIPTION	DATE	DWN
-	-	SEE SHEET 1	-	-



MODULE AA AS SHOWN FOR REFERENCE.

THIS DRAWING IS A CONTROLLED DOCUMENT FOR AMP INCORPORATED. IT IS SUBJECT TO CHANGE AND THE CONTROLLING ENGINEERING ORGANIZATION SHOULD BE CONTACTED FOR THE LATEST REVISION.		DWN WYLEE 18MAY2007 CHK YJ SEE APVD SF LEONG PRODUCT SPEC 108-51091 APPLICATION SPEC 114-51011 WEIGHT -	STE TE CONNECTIVITY Singapore NAME ASSEMBLY, MINIDIMM, R/A, LF 0.60mm PITCH, 244 CKTS, DDR2/3 SIZE A3 CAGE CODE 00779 DRAWING NO C-1735438
DIMENSIONS: mm 	TOLERANCES UNLESS OTHERWISE SPECIFIED: 0 PLC ± 1 PLC ±0.25 2 PLC ±0.13 3 PLC ±0.10 4 PLC ± ANGLES ±1°	MATERIAL FINISH	SCALE 1:1 SHEET 4 OF 5 REV B5

FOR P/N X- -2 AND X- -4.	2.3	33.6	38.4	1.5V	AB/BB/CB
FOR P/N X- -1 AND X- -3.	1.3	33.6	38.4	1.8V	AA/BA/CA
REMARKS	D3	e2	e1	VOLTAGE MARKING	MODULE VARIATION

THIS DRAWING IS UNPUBLISHED.

RELEASED FOR PUBLICATION

.19

© COPYRIGHT 19

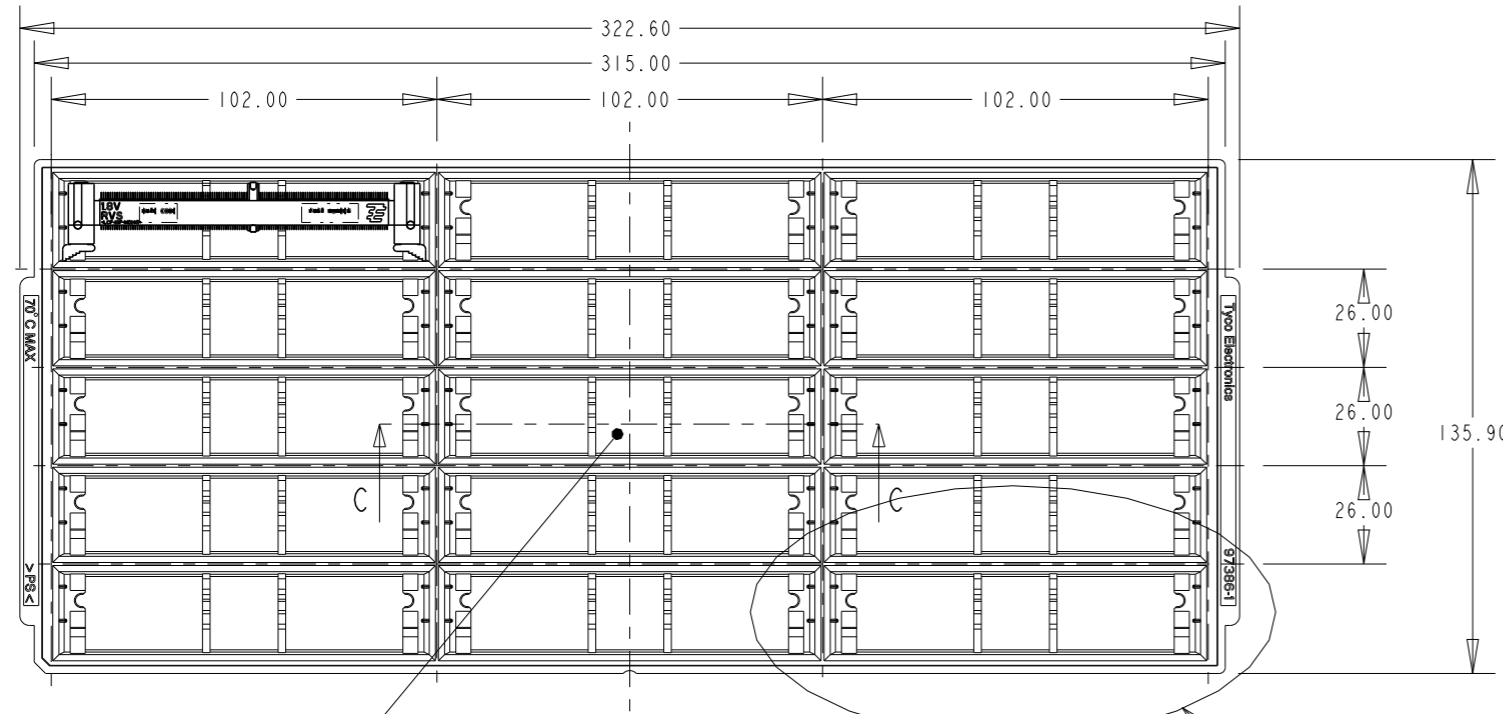
BY AMP INCORPORATED. ALL RIGHTS RESERVED.

LOC
DY

DIST
-

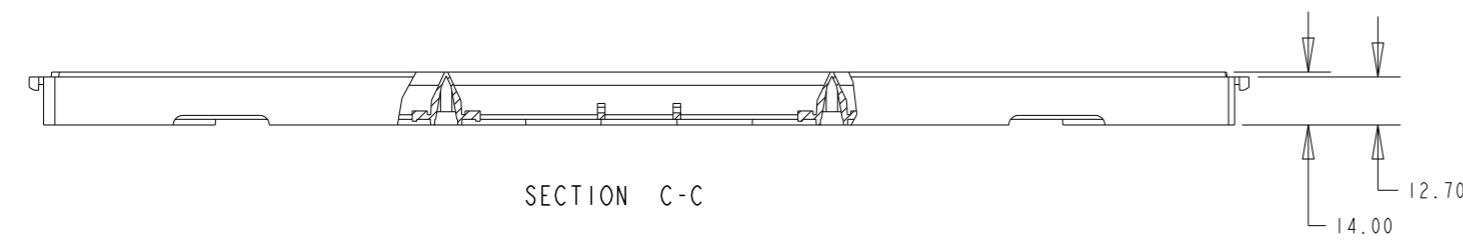
REVISIONS

P	LTR	DESCRIPTION	DATE	DWN	APVD
-	-	SEE SHEET 1	-	-	-

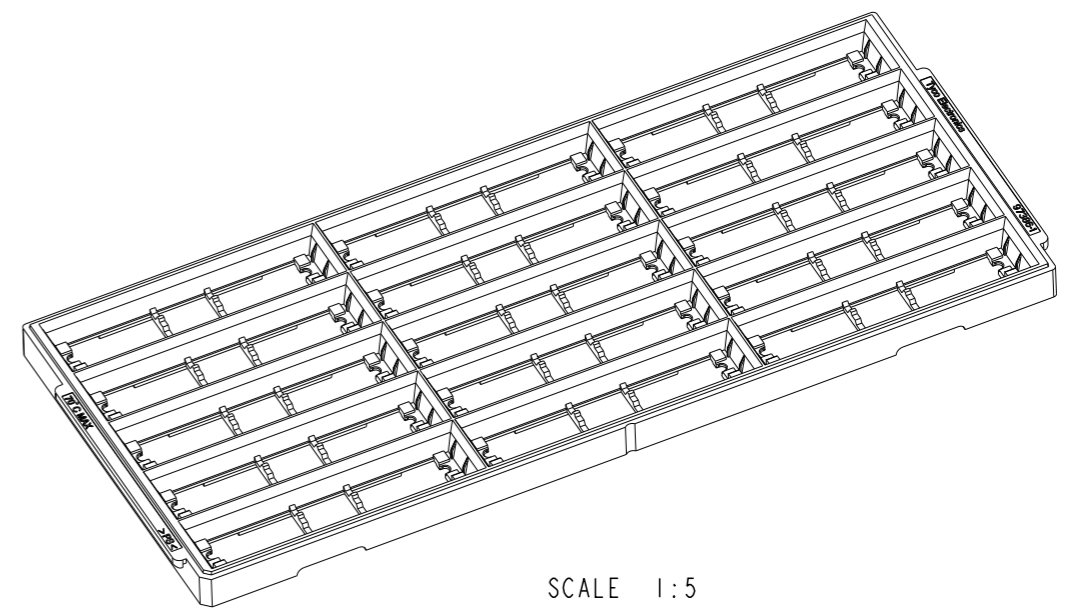


Base of centre pocket is solid.

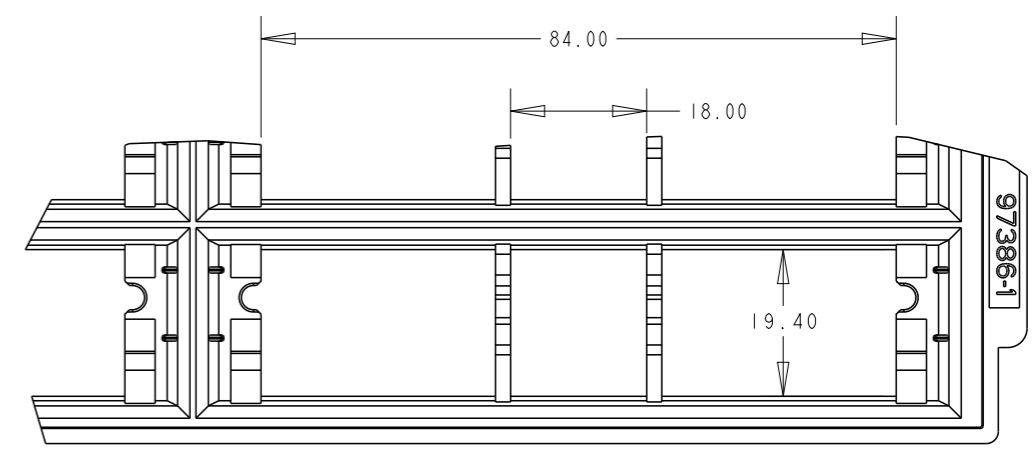
SEE DETAIL A



SECTION C-C



SCALE 1:5



DETAIL A
SCALE 2:1

THIS DRAWING IS A CONTROLLED DOCUMENT FOR AMP INCORPORATED. IT IS SUBJECT TO CHANGE AND THE CONTROLLING ENGINEERING ORGANIZATION SHOULD BE CONTACTED FOR THE LATEST REVISION.		DWN WYLEE 18MAY2007	STE TE CONNECTIVITY Singapore		
DIMENSIONS: mm		CHK YJ SEE	NAME ASSEMBLY, MINIDIMM, R/A, LF 0.60mm PITCH, 244 CKTS, DDR2/3		
TOLERANCES UNLESS OTHERWISE SPECIFIED: 0 PLC ± 1 PLC ±0.25 2 PLC ±0.13 3 PLC ±0.10 4 PLC ± ANGLES ±1°		APVD SF LEONG	DRAWING NO C-1735438		
MATERIAL		PRODUCT SPEC 108-51091	SIZE A3	CAGE CODE 00779	SHEET 5 OF 5
FINISH		APPLICATION SPEC 114-51011	REV B5		
		WEIGHT -	SCALE 1:1		
		CUSTOMER DRAWING			

Компания «Life Electronics» занимается поставками электронных компонентов импортного и отечественного производства от производителей и со складов крупных дистрибьюторов Европы, Америки и Азии.

С конца 2013 года компания активно расширяет линейку поставок компонентов по направлению коаксиальный кабель, кварцевые генераторы и конденсаторы (керамические, пленочные, электролитические), за счёт заключения дистрибьюторских договоров

Мы предлагаем:

- Конкурентоспособные цены и скидки постоянным клиентам.
- Специальные условия для постоянных клиентов.
- Подбор аналогов.
- Поставку компонентов в любых объемах, удовлетворяющих вашим потребностям.
- Приемлемые сроки поставки, возможна ускоренная поставка.
- Доставку товара в любую точку России и стран СНГ.
- Комплексную поставку.
- Работу по проектам и поставку образцов.
- Формирование склада под заказчика.
- Сертификаты соответствия на поставляемую продукцию (по желанию клиента).
- Тестирование поставляемой продукции.
- Поставку компонентов, требующих военную и космическую приемку.
- Входной контроль качества.
- Наличие сертификата ISO.

В составе нашей компании организован Конструкторский отдел, призванный помогать разработчикам, и инженерам.

Конструкторский отдел помогает осуществить:

- Регистрацию проекта у производителя компонентов.
- Техническую поддержку проекта.
- Защиту от снятия компонента с производства.
- Оценку стоимости проекта по компонентам.
- Изготовление тестовой платы монтаж и пусконаладочные работы.



Тел: +7 (812) 336 43 04 (многоканальный)

Email: org@lifeelectronics.ru