

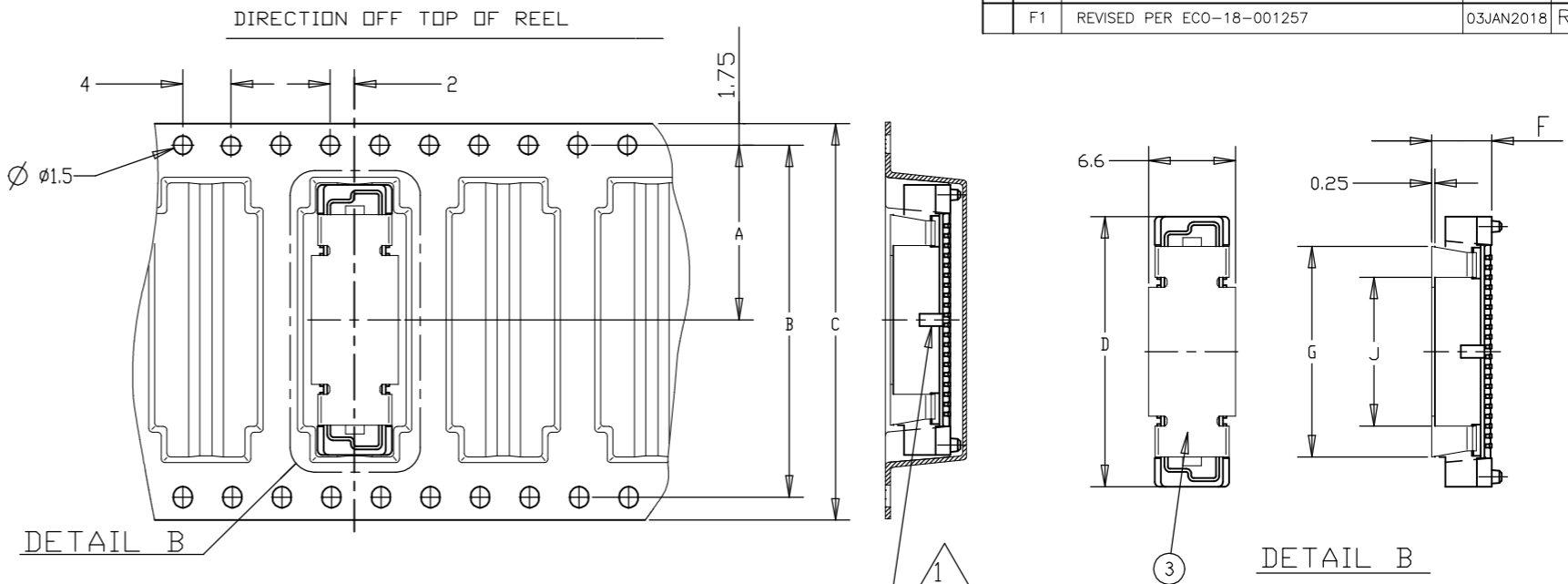
THIS DRAWING IS UNPUBLISHED. RELEASED FOR PUBLICATION  
 © COPYRIGHT - TE Connectivity ALL RIGHTS RESERVED.

| REVISIONS |     |                           |           |         |
|-----------|-----|---------------------------|-----------|---------|
| P         | LTR | DESCRIPTION               | DATE      | APVD    |
| F1        |     | REVISED PER ECO-18-001257 | 03JAN2018 | R.L H.L |

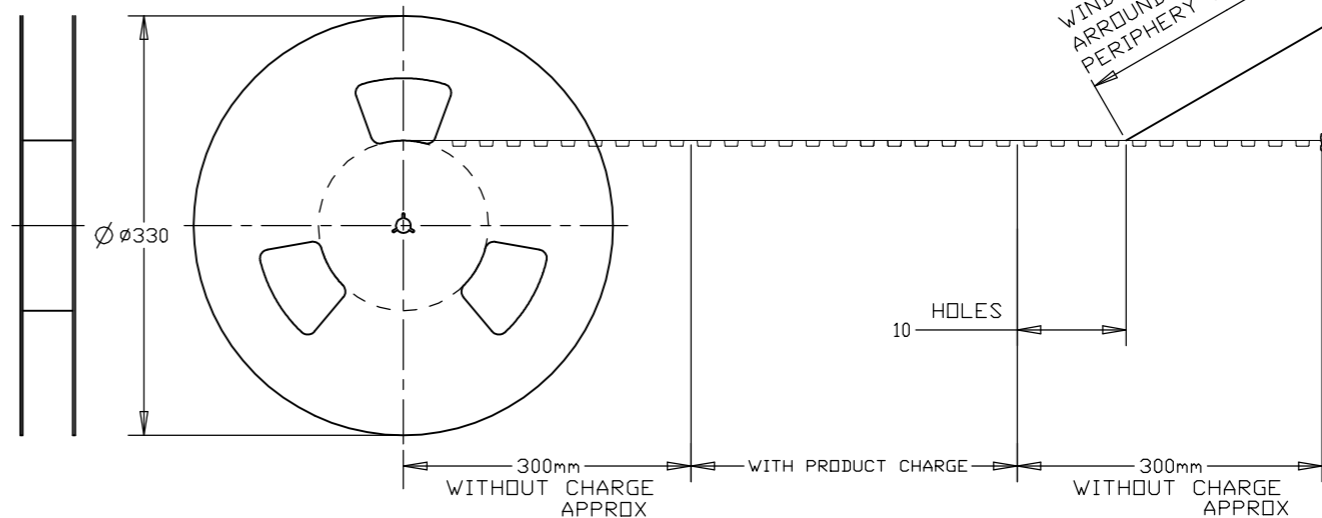
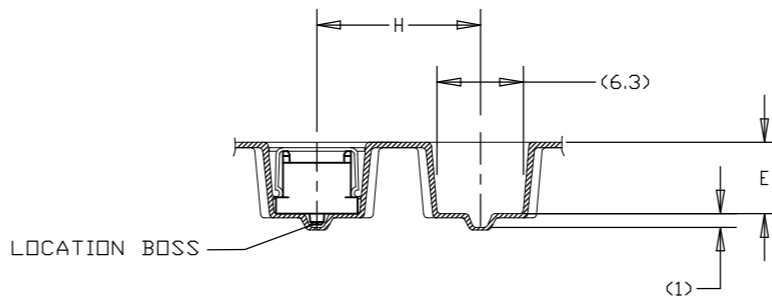
LOW HALOGEN

Notes:

- 1 CUTOUT FEATURE AVAILABLE ONLY ON 5H ASSY P/N -1 (40P) AND -2 (60P).
- 6 0.00038 MIN GOLD PLATING (15u INCHES GOLD PLATING)
- 3 CONNECTOR DIMENSIONS REFERENCED FROM DRAWING WHICH CONN. P/Ns BASED
- 4 CONNECTOR WITH BLACK HOUSING
- 5 MATERIAL: HOUSING: L.C.P UL 94-V0. CONTACT: BRASS



| REMARKS  | QTY | HEIGHT TYPE | F1   |      |      |      |      |      |    |      |      |    | POS | SALEABLE PART NO. |
|--|-----|-------------|------|------|------|------|------|------|----|------|------|----|-----|-------------------|
|  |     |             | Y    | X    | J    | H    | G    | F    | E  | D    | C    | B  |     |                   |
| 0.00076 MIN GOLD PLATING (30u INCHES GOLD PLATING) | 450 | 7H          | 3.6  | 6.6  | 12   | 6.85 | 7.25 | 21.8 | 32 | 28.4 | 14.2 | 40 | 7-  | -6                |
|  |     |             | 16   | 45.8 | 72   | 68.4 | 34.2 | 100  | 7- | -5   |      |    |     |                   |
|  |     |             | 37.8 | 56   | 52.4 | 26.2 | 80   | 7-   | -4 |      |      |    |     |                   |
|  |     |             | 29.8 | 44   | 40.4 | 20.2 | 60   | 7-   | -3 |      |      |    |     |                   |
|  |     |             | 21.8 | 32   | 28.4 | 14.2 | 40   | 7-   | -2 |      |      |    |     |                   |
|  |     |             | 69.8 | 88   | 84.4 | 42.2 | 140  | 6-   | -8 |      |      |    |     |                   |
|  |     |             | 61.8 | 88   | 84.4 | 42.2 | 140  | 6-   | -6 |      |      |    |     |                   |
|  |     |             | 53.8 | 88   | 84.4 | 42.2 | 140  | 6-   | -5 |      |      |    |     |                   |
|  |     |             | 45.8 | 72   | 68.4 | 34.2 | 100  | 6-   | -4 |      |      |    |     |                   |
|  |     |             | 37.8 | 56   | 52.4 | 26.2 | 80   | 6-   | -3 |      |      |    |     |                   |
| 0.00076 MIN GOLD PLATING (30u INCHES GOLD PLATING) | 700 | 6H          | 2.6  | 5.6  | 12   | 5.85 | 6.25 | 21.8 | 32 | 28.4 | 14.2 | 40 | 6-  | -8                |
|  |     |             | 16   | 45.8 | 72   | 68.4 | 34.2 | 100  | 6- | -6   |      |    |     |                   |
|  |     |             | 37.8 | 56   | 52.4 | 26.2 | 80   | 6-   | -5 |      |      |    |     |                   |
|  |     |             | 29.8 | 44   | 40.4 | 20.2 | 60   | 6-   | -4 |      |      |    |     |                   |
|  |     |             | 21.8 | 32   | 28.4 | 14.2 | 40   | 6-   | -3 |      |      |    |     |                   |
|  |     |             | 69.8 | 88   | 84.4 | 42.2 | 140  | 5-   | -8 |      |      |    |     |                   |
|  |     |             | 61.8 | 88   | 84.4 | 42.2 | 140  | 5-   | -6 |      |      |    |     |                   |
|  |     |             | 53.8 | 88   | 84.4 | 42.2 | 140  | 5-   | -5 |      |      |    |     |                   |
|  |     |             | 45.8 | 72   | 68.4 | 34.2 | 100  | 5-   | -4 |      |      |    |     |                   |
|  |     |             | 37.8 | 56   | 52.4 | 26.2 | 80   | 5-   | -3 |      |      |    |     |                   |
| 0.00076 MIN GOLD PLATING (30u INCHES GOLD PLATING) | 800 | 5H          | 1.2  | 4.6  | 12   | 4.85 | 5.25 | 21.8 | 32 | 28.4 | 14.2 | 40 | 5-  | -8                |
|  |     |             | 16   | 45.8 | 72   | 68.4 | 34.2 | 100  | 5- | -6   |      |    |     |                   |
|  |     |             | 37.8 | 56   | 52.4 | 26.2 | 80   | 5-   | -5 |      |      |    |     |                   |
|  |     |             | 29.8 | 44   | 40.4 | 20.2 | 60   | 5-   | -4 |      |      |    |     |                   |
|  |     |             | 21.8 | 32   | 28.4 | 14.2 | 40   | 5-   | -3 |      |      |    |     |                   |
|  |     |             | 69.8 | 88   | 84.4 | 42.2 | 140  | 5-   | -2 |      |      |    |     |                   |
|  |     |             | 61.8 | 88   | 84.4 | 42.2 | 140  | 5-   | -1 |      |      |    |     |                   |
|  |     |             | 53.8 | 88   | 84.4 | 42.2 | 140  | 5-   | -0 |      |      |    |     |                   |
|  |     |             | 45.8 | 72   | 68.4 | 34.2 | 100  | 5-   | -0 |      |      |    |     |                   |
|  |     |             | 37.8 | 56   | 52.4 | 26.2 | 80   | 5-   | -0 |      |      |    |     |                   |
| 0.00076 MIN GOLD PLATING (30u INCHES GOLD PLATING) | 900 | 7H          | 3.6  | 6.6  | 12   | 6.85 | 7.25 | 21.8 | 32 | 28.4 | 14.2 | 40 | 4-  | -8                |
|  |     |             | 16   | 45.8 | 72   | 68.4 | 34.2 | 100  | 4- | -6   |      |    |     |                   |
|  |     |             | 37.8 | 56   | 52.4 | 26.2 | 80   | 4-   | -5 |      |      |    |     |                   |
|  |     |             | 29.8 | 44   | 40.4 | 20.2 | 60   | 4-   | -4 |      |      |    |     |                   |
|  |     |             | 21.8 | 32   | 28.4 | 14.2 | 40   | 4-   | -3 |      |      |    |     |                   |
|  |     |             | 69.8 | 88   | 84.4 | 42.2 | 140  | 3-   | -8 |      |      |    |     |                   |
|  |     |             | 61.8 | 88   | 84.4 | 42.2 | 140  | 3-   | -6 |      |      |    |     |                   |
|  |     |             | 53.8 | 88   | 84.4 | 42.2 | 140  | 3-   | -5 |      |      |    |     |                   |
|  |     |             | 45.8 | 72   | 68.4 | 34.2 | 100  | 3-   | -4 |      |      |    |     |                   |
|  |     |             | 37.8 | 56   | 52.4 | 26.2 | 80   | 3-   | -3 |      |      |    |     |                   |
| 0.0002 MIN GOLD PLATING (7.8u INCHES GOLD PLATING) | 400 | 8H          | 4.6  | 7.6  | 12   | 7.85 | 8.25 | 21.8 | 32 | 28.4 | 14.2 | 40 | 3-  | -8                |
|  |     |             | 16   | 45.8 | 72   | 68.4 | 34.2 | 100  | 3- | -6   |      |    |     |                   |
|  |     |             | 37.8 | 56   | 52.4 | 26.2 | 80   | 3-   | -5 |      |      |    |     |                   |
|  |     |             | 29.8 | 44   | 40.4 | 20.2 | 60   | 3-   | -4 |      |      |    |     |                   |
|  |     |             | 21.8 | 32   | 28.4 | 14.2 | 40   | 3-   | -3 |      |      |    |     |                   |
|  |     |             | 69.8 | 88   | 84.4 | 42.2 | 140  | 2-   | -8 |      |      |    |     |                   |
|  |     |             | 61.8 | 88   | 84.4 | 42.2 | 140  | 2-   | -6 |      |      |    |     |                   |
|  |     |             | 53.8 | 88   | 84.4 | 42.2 | 140  | 2-   | -5 |      |      |    |     |                   |
|  |     |             | 45.8 | 72   | 68.4 | 34.2 | 100  | 2-   | -4 |      |      |    |     |                   |
|  |     |             | 37.8 | 56   | 52.4 | 26.2 | 80   | 2-   | -3 |      |      |    |     |                   |
| 0.0002 MIN GOLD PLATING (7.8u INCHES GOLD PLATING) | 600 | 7H          | 3.6  | 6.6  | 12   | 6.85 | 7.25 | 21.8 | 32 | 28.4 | 14.2 | 40 | 2-  | -8                |
|  |     |             | 16   | 45.8 | 72   | 68.4 | 34.2 | 100  | 2- | -6   |      |    |     |                   |
|  |     |             | 37.8 | 56   | 52.4 | 26.2 | 80   | 2-   | -5 |      |      |    |     |                   |
|  |     |             | 29.8 | 44   | 40.4 | 20.2 | 60   | 2-   | -4 |      |      |    |     |                   |
|  |     |             | 21.8 | 32   | 28.4 | 14.2 | 40   | 2-   | -3 |      |      |    |     |                   |
|  |     |             | 69.8 | 88   | 84.4 | 42.2 | 140  | 1-   | -8 |      |      |    |     |                   |
|  |     |             | 61.8 | 88   | 84.4 | 42.2 | 140  | 1-   | -6 |      |      |    |     |                   |
|  |     |             | 53.8 | 88   | 84.4 | 42.2 | 140  | 1-   | -5 |      |      |    |     |                   |
|  |     |             | 45.8 | 72   | 68.4 | 34.2 | 100  | 1-   | -4 |      |      |    |     |                   |
|  |     |             | 37.8 | 56   | 52.4 | 26.2 | 80   | 1-   | -3 |      |      |    |     |                   |
| 0.0002 MIN GOLD PLATING (7.8u INCHES GOLD PLATING) | 800 | 6H          | 2.6  | 5.6  | 12   | 5.85 | 6.25 | 21.8 | 32 | 28.4 | 14.2 | 40 | 1-  | -8                |
|  |     |             | 16   | 45.8 | 72   | 68.4 | 34.2 | 100  | 1- | -6   |      |    |     |                   |
|  |     |             | 37.8 | 56   | 52.4 | 26.2 | 80   | 1-   | -5 |      |      |    |     |                   |
|  |     |             | 29.8 | 44   | 40.4 | 20.2 | 60   | 1-   | -4 |      |      |    |     |                   |
|  |     |             | 21.8 | 32   | 28.4 | 14.2 | 40   | 1-   | -3 |      |      |    |     |                   |
|  |     |             | 69.8 | 88   | 84.4 | 42.2 | 140  | 1-   | -2 |      |      |    |     |                   |
|  |     |             | 61.8 | 88   | 84.4 | 42.2 | 140  | 1-   | -1 |      |      |    |     |                   |
|  |     |             | 53.8 | 88   | 84.4 | 42.2 | 140  | 1-   | -0 |      |      |    |     |                   |
|  |     |             | 45.8 | 72   | 68.4 | 34.2 | 100  | 1-   | -0 |      |      |    |     |                   |
|  |     |             | 37.8 | 56   | 52.4 | 26.2 | 80   | 1-   | -0 |      |      |    |     |                   |
| 0.0002 MIN GOLD PLATING (7.8u INCHES GOLD PLATING) | 900 | 5H          | 1.2  | 4.6  | 12   | 4.85 | 5.25 | 21.8 | 32 | 28.4 | 14.2 | 40 | 1-  | -8                |
|  |     |             | 16   | 45.8 | 72   | 68.4 | 34.2 | 100  | 1- | -6   |      |    |     |                   |
|  |     |             | 37.8 | 56   | 52.4 | 26.2 | 80   | 1-   | -5 |      |      |    |     |                   |
|  |     |             | 29.8 | 44   | 40.4 | 20.2 | 60   | 1-   | -4 |      |      |    |     |                   |
|  |     |             | 21.8 | 32   | 28.4 | 14.2 | 40   | 1-   | -3 |      |      |    |     |                   |
|  |     |             | 69.8 | 88   | 84.4 | 42.2 | 140  | 1-   | -2 |      |      |    |     |                   |
|  |     |             | 61.8 | 88   | 84.4 | 42.2 | 140  | 1-   | -1 |      |      |    |     |                   |
|  |     |             | 53.8 | 88   | 84.4 | 42.2 | 140  | 1-   | -0 |      |      |    |     |                   |
|  |     |             | 45.8 | 72   | 68.4 | 34.2 | 100  | 1-   | -0 |      |      |    |     |                   |
|  |     |             | 37.8 | 56   | 52.4 | 26.2 | 80   | 1-   | -0 |      |      |    |     |                   |



STEEL COVER

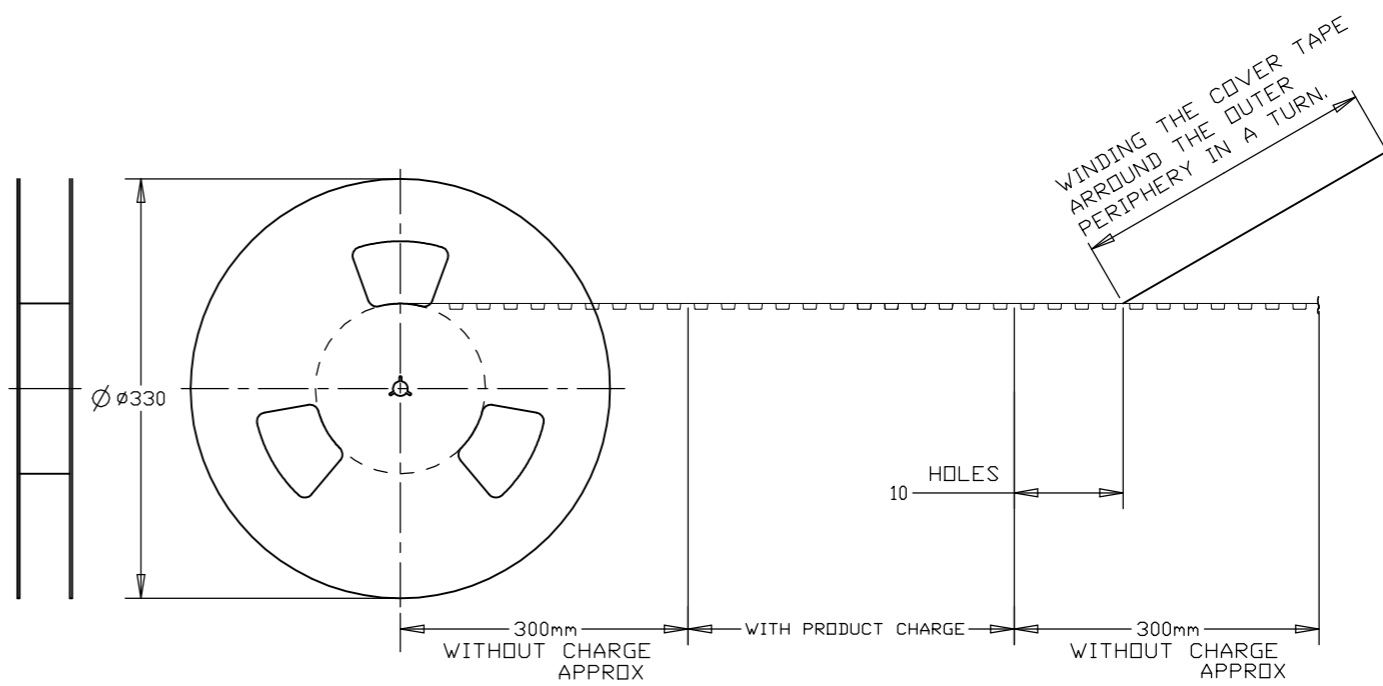
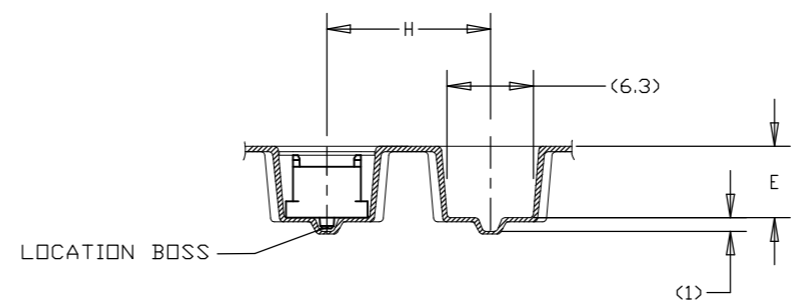
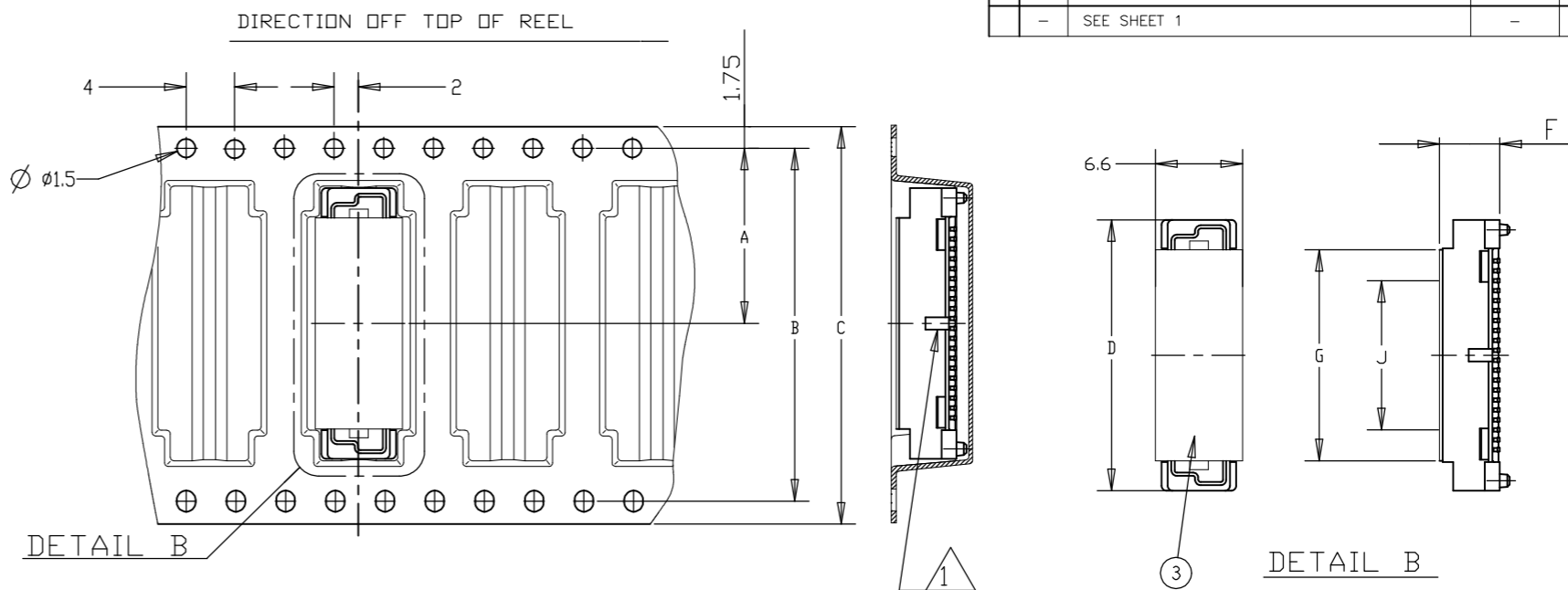
|  |  |                               |      |  |
|--|--|-------------------------------|------|--|
| THIS DRAWING IS A CONTROLLED DOCUMENT. |  | DWN FLORENCE TAN 30AUG2004    |      |  |
|  |  | CHK ERIC TNG 30MAY2012        |      |  |
| DIMENSIONS: mm                         |  | APVD SF LEONG 30MAY2012       | NAME |  |
| TOLERANCES UNLESS OTHERWISE SPECIFIED: |  | PRODUCT SPEC                  |      |  |
| 0 PLC ± -                              |  | APPLICATION SPEC              |      |  |
| 1 PLC ± 0.2                            |  | SIZE                          |      |  |
| 2 PLC ± 0.15                           |  | CAGE CODE                     |      |  |
| 3 PLC ± 0.1                            |  | DRAWING NO                    |      |  |
| 4 PLC ± -                              |  | RESTRICTED TO                 |      |  |
| ANGLES ± -                             |  | A2 00779 C=5177986            |      |  |
| MATERIAL FINISH                        |  | WEIGHT 0                      |      |  |
|  |  | CUSTOMER DRAWING              |      |  |
|  |  | SCALE 1:1 SHEET 1 of 3 REV F1 |      |  |

THIS DRAWING IS UNPUBLISHED. RELEASED FOR PUBLICATION  
 © COPYRIGHT - TE Connectivity ALL RIGHTS RESERVED.

LOW HALOGEN

| REVISIONS |     |             |      |      |
|-----------|-----|-------------|------|------|
| P         | LTR | DESCRIPTION | DATE | APVD |
| -         | -   | SEE SHEET 1 | -    | -    |

Notes:  
 6 0.0002 MIN GOLD PLATING  
 (7.8u INCHES GOLD PLATING)

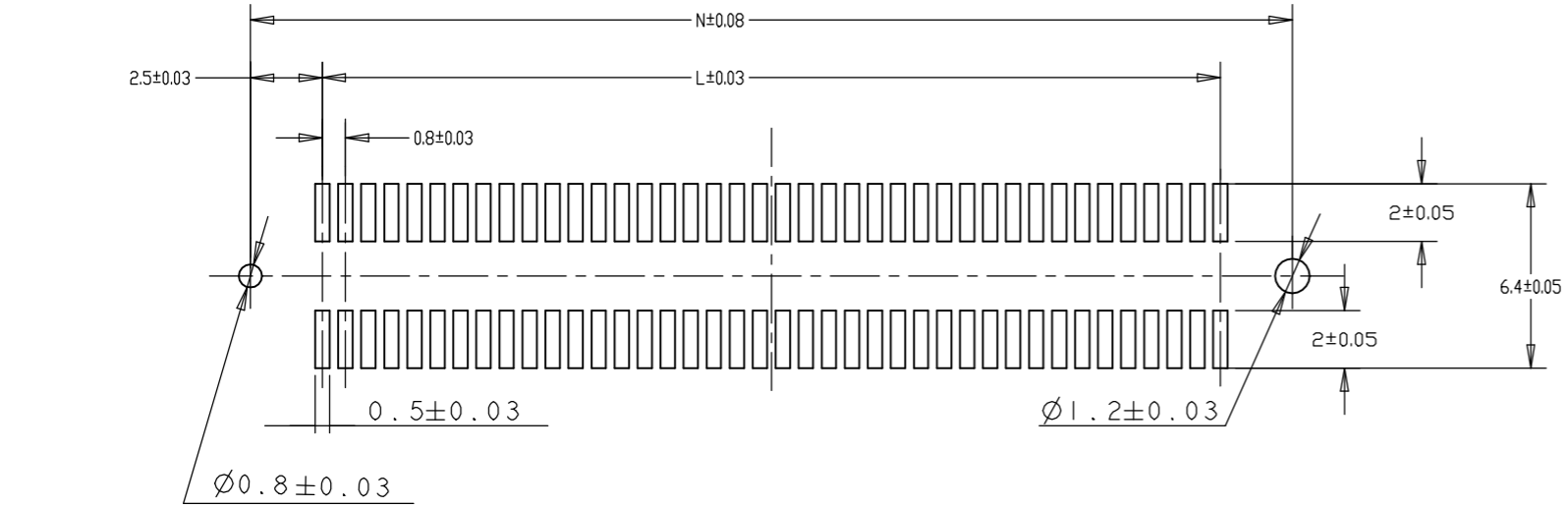
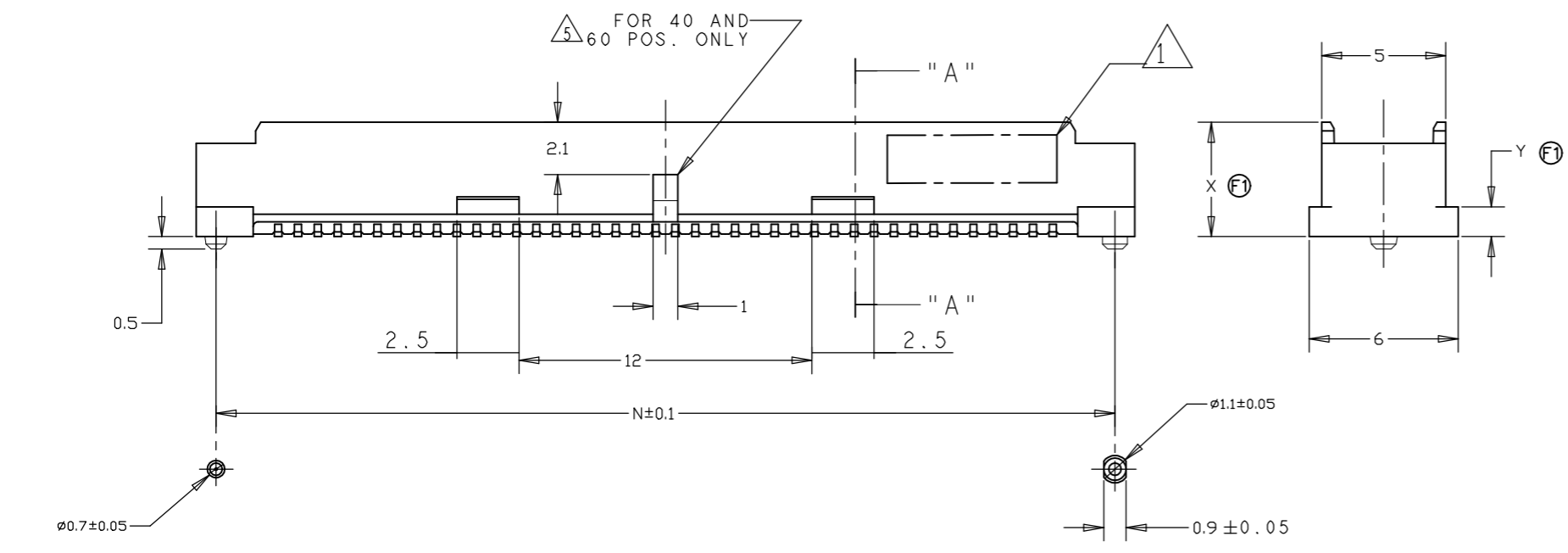
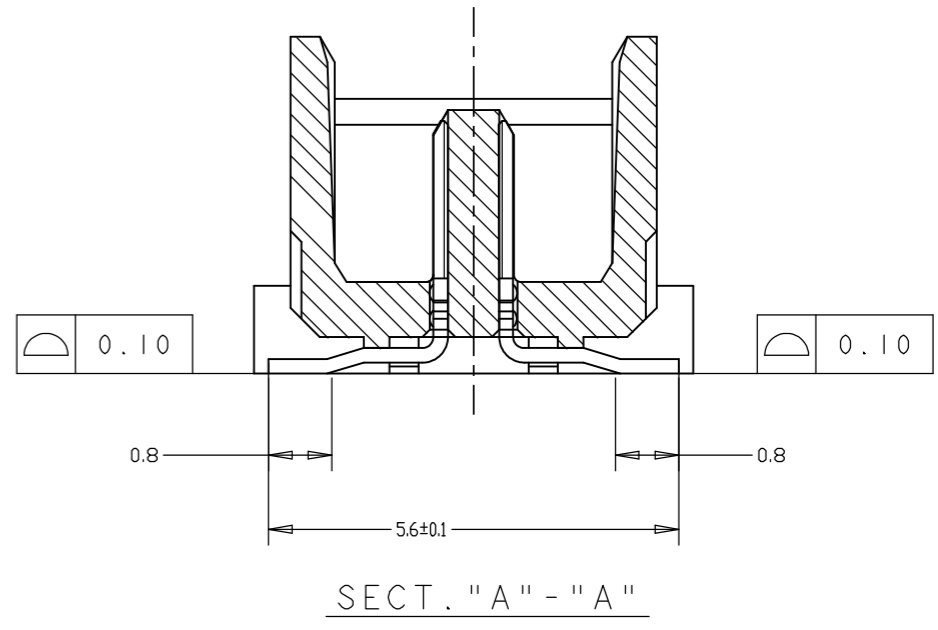
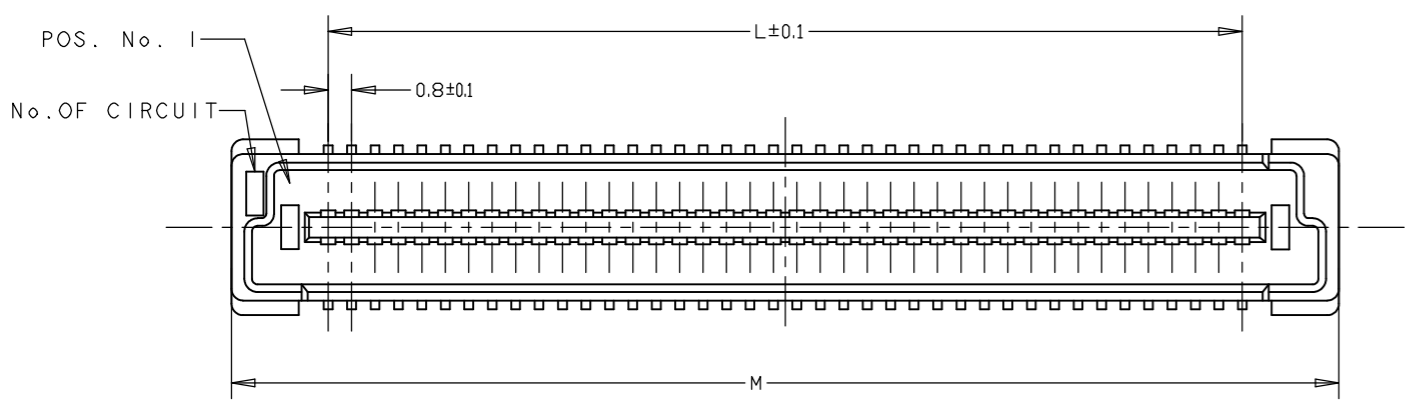


POLYIMIDE COVER

|         |     |             |   |   |   |   |   |   |   |   |   |     |                   |
|---------|-----|-------------|---|---|---|---|---|---|---|---|---|-----|-------------------|
| REMARKS | QTY | HEIGHT TYPE | J | H | G | F | E | D | C | B | A | POS | SALEABLE PART NO. |
|         |     |             |   |   |   |   |   |   |   |   |   |     |                   |

|  |  |                               |   |           |
|--|--|-------------------------------|---|-----------|
| THIS DRAWING IS A CONTROLLED DOCUMENT. |  | DWN 30AUG2004<br>FLORENCE TAN |   |           |
| DIMENSIONS: mm                         |  | CHK 30MAY2012<br>ERIC TNG     |   |           |
| TOLERANCES UNLESS OTHERWISE SPECIFIED: |  | APVD 30MAY2012<br>SF LEONG    | NAME  |           |
| 0 PLC ± -                              |  | PRODUCT SPEC                  | PLUG ASSEMBLY, FH 0.8<br>ON TAPING (EMBOSS) 0.5 BOSS LENGTH |           |
| 1 PLC ± 0.2                            |  | APPLICATION SPEC              | SIZE  | CAGE CODE |
| 2 PLC ± 0.15                           |  | FINISH                        | A2  | 00779     |
| 3 PLC ± 0.1                            |  | WEIGHT                        | C=5177986   |           |
| 4 PLC ± -                              |  | CUSTOMER DRAWING              | SCALE   | 1:1       |
| ANGLES ± -                             |  |                               | SHEET   | 2 of 3    |
| MATERIAL                               |  |                               | REV   | F1        |

| REVISIONS |     |             |      |      |
|-----------|-----|-------------|------|------|
| P         | LTR | DESCRIPTION | DATE | APVD |
| -         | -   | SEE SHEET 1 | -    | -    |



RECOMMENDED P.C. BOARD LAYOUT

LOW HALOGEN

CONNECTOR ONLY

|      |      |      |      |
|------|------|------|------|
| 84.2 | 85.8 | 79.2 | 200  |
| 76.2 | 77.8 | 71.2 | 180  |
| 68.2 | 69.8 | 63.2 | 160  |
| 60.2 | 61.8 | 55.2 | 140  |
| 52.2 | 53.8 | 47.2 | 120  |
| 44.2 | 45.8 | 39.2 | 100  |
| 36.2 | 37.8 | 31.2 | 80   |
| 28.2 | 29.8 | 23.2 | 60   |
| 20.2 | 21.8 | 15.2 | 40   |
| N    | M    | L    | POS. |

|  |  |                                  |  |           |
|--|--|----------------------------------|--|-----------|
| THIS DRAWING IS A CONTROLLED DOCUMENT. |  | DWN<br>FLORENCE TAN<br>30AUG2004 |  |           |
| DIMENSIONS: mm                         |  | CHK<br>ERIC TNG<br>30MAY2012     |  |           |
| TOLERANCES UNLESS OTHERWISE SPECIFIED: |  | APVD<br>SF LEONG<br>30MAY2012    | NAME   |           |
| 0 PLC ± -                              |  | PRODUCT SPEC                     | PLUG ASSEMBLY, FH 0.8 ON TAPING (EMBOSS) 0.5 BOSS LENGTH |           |
| 1 PLC ± 0.2                            |  | APPLICATION SPEC                 | RESTRICTED TO  |           |
| 2 PLC ± 0.15                           |  | WEIGHT                           | SIZE   | CAGE CODE |
| 3 PLC ± 0.1                            |  | 0                                | A2   | 00779     |
| 4 PLC ± -                              |  | CUSTOMER DRAWING                 | DRAWING NO. C=5177986                                    |           |
| ANGLES ± -                             |  | SCALE                            | 1:1  |           |
| FINISH                                 |  | SHEET                            |  | 3 of 3    |
| -                                      |  | REV                              |  | F1        |

Компания «Life Electronics» занимается поставками электронных компонентов импортного и отечественного производства от производителей и со складов крупных дистрибьюторов Европы, Америки и Азии.

С конца 2013 года компания активно расширяет линейку поставок компонентов по направлению коаксиальный кабель, кварцевые генераторы и конденсаторы (керамические, пленочные, электролитические), за счёт заключения дистрибьюторских договоров

Мы предлагаем:

- Конкуренспособные цены и скидки постоянным клиентам.
- Специальные условия для постоянных клиентов.
- Подбор аналогов.
- Поставку компонентов в любых объемах, удовлетворяющих вашим потребностям.
- Приемлемые сроки поставки, возможна ускоренная поставка.
- Доставку товара в любую точку России и стран СНГ.
- Комплексную поставку.
- Работу по проектам и поставку образцов.
- Формирование склада под заказчика.
- Сертификаты соответствия на поставляемую продукцию (по желанию клиента).
- Тестирование поставляемой продукции.
- Поставку компонентов, требующих военную и космическую приемку.
- Входной контроль качества.
- Наличие сертификата ISO.

В составе нашей компании организован Конструкторский отдел, призванный помогать разработчикам, и инженерам.

Конструкторский отдел помогает осуществить:

- Регистрацию проекта у производителя компонентов.
- Техническую поддержку проекта.
- Защиту от снятия компонента с производства.
- Оценку стоимости проекта по компонентам.
- Изготовление тестовой платы монтаж и пусконаладочные работы.



Тел: +7 (812) 336 43 04 (многоканальный)

Email: [org@lifeelectronics.ru](mailto:org@lifeelectronics.ru)