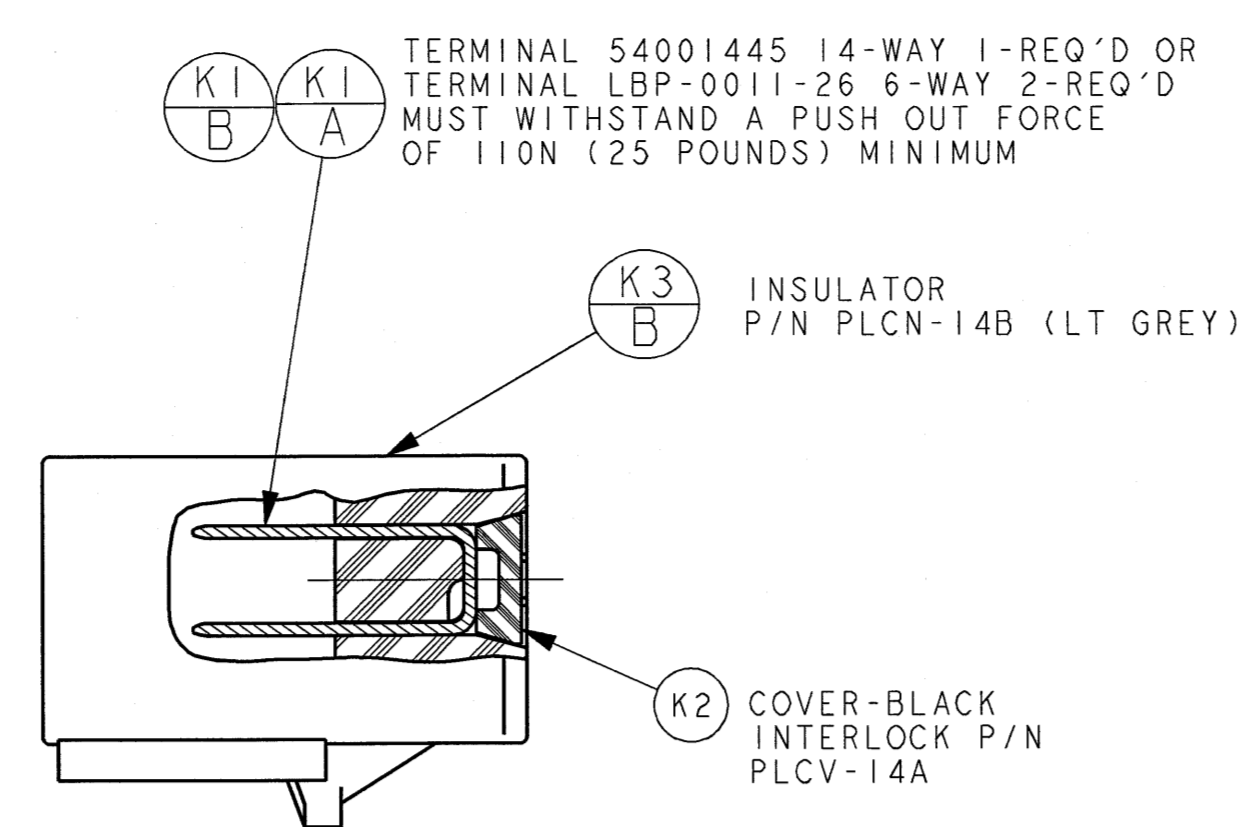
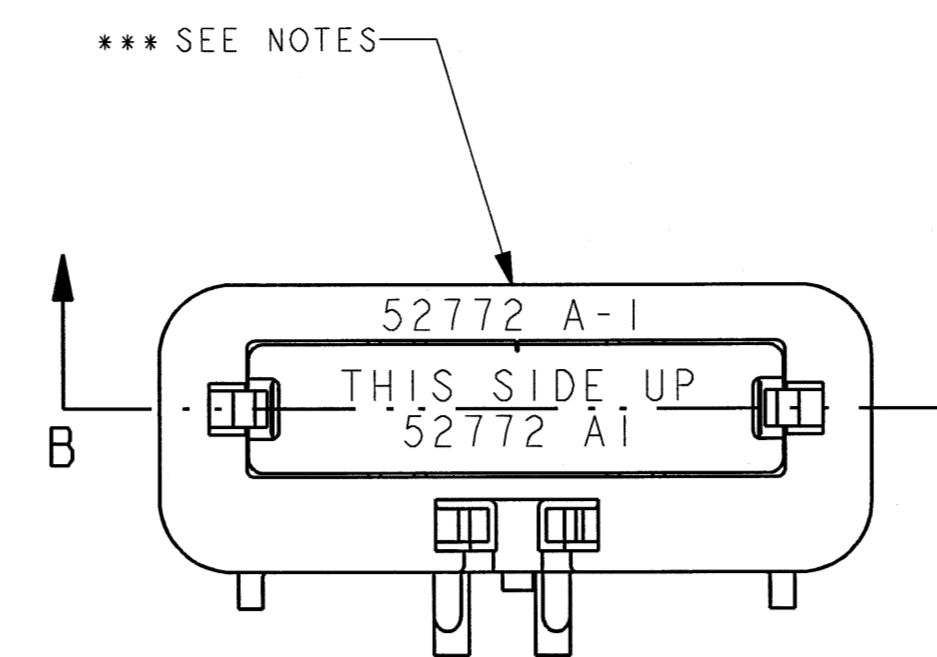


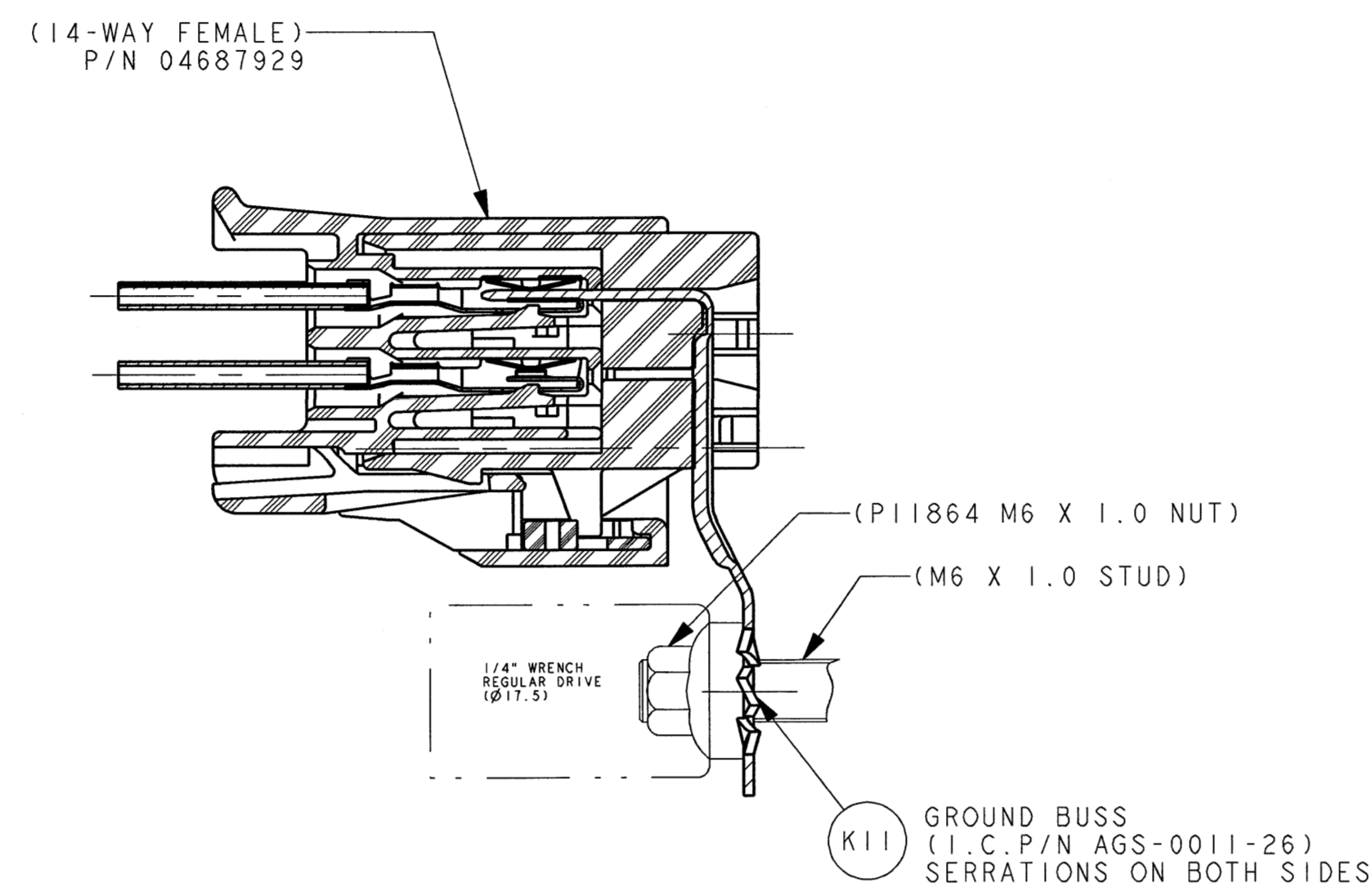
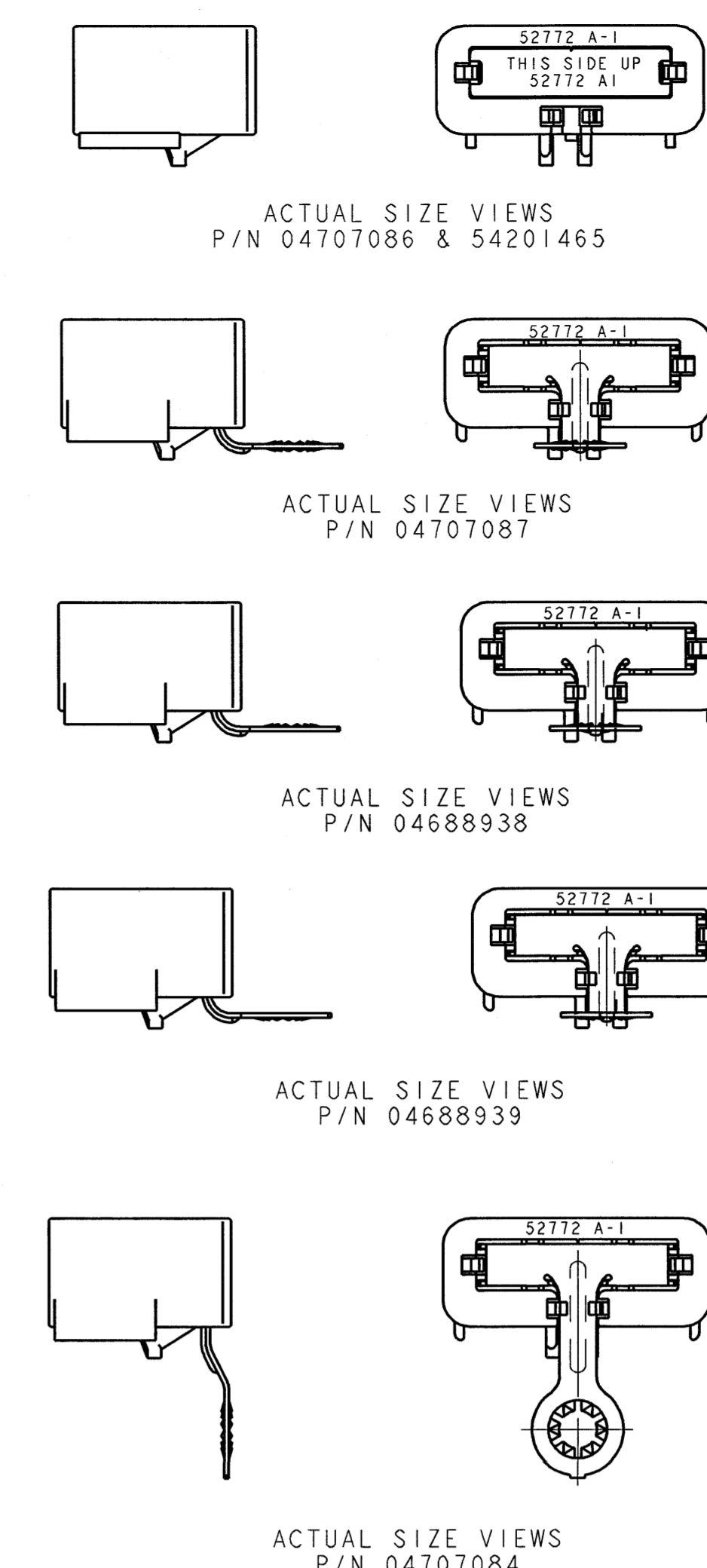
ASSY POWER BUSS
P/N 04707086 & 54201465 SHOWN
14-WAY MALE OPT "B" (LT. GREY)



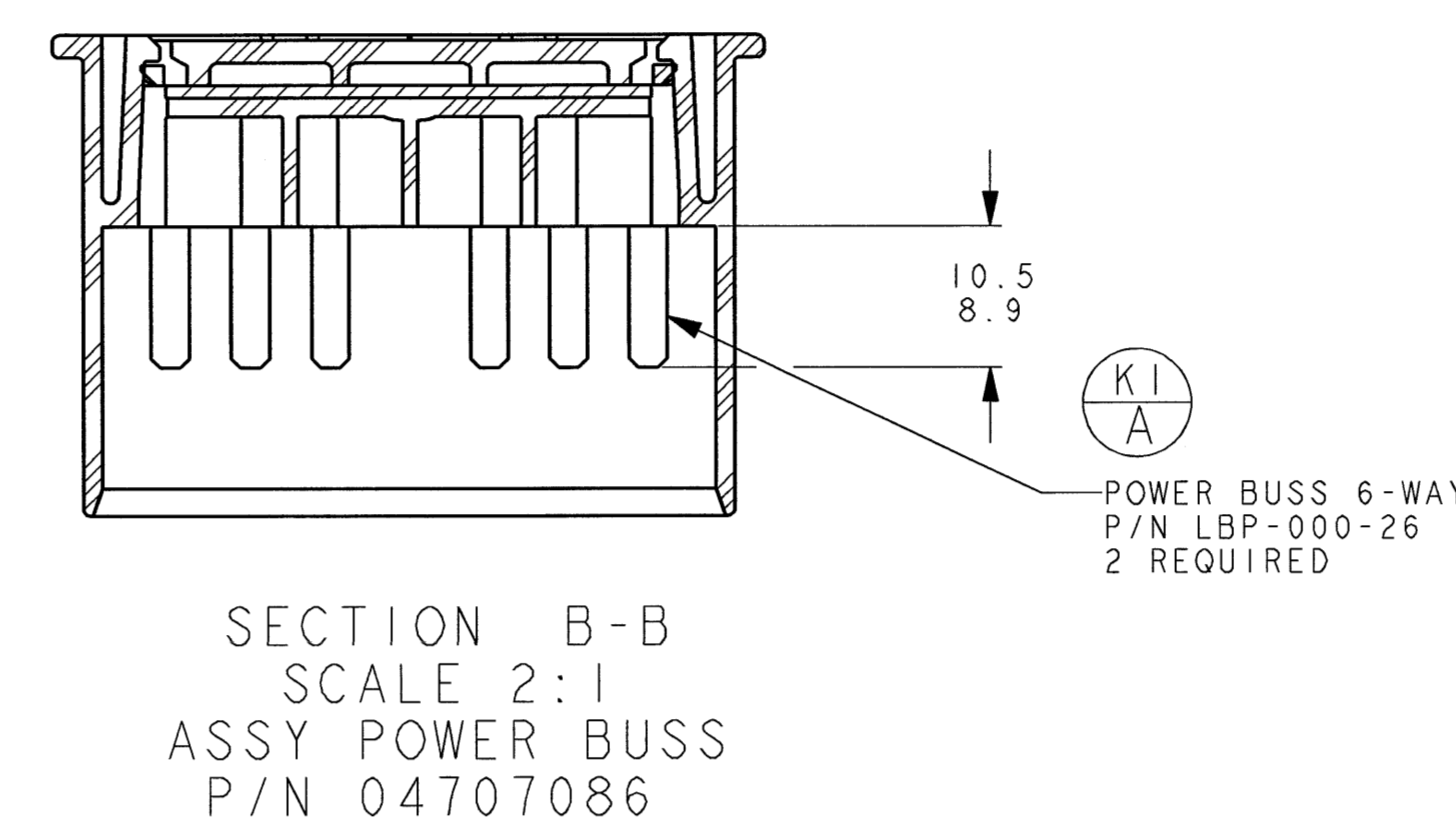
SECTION A-A



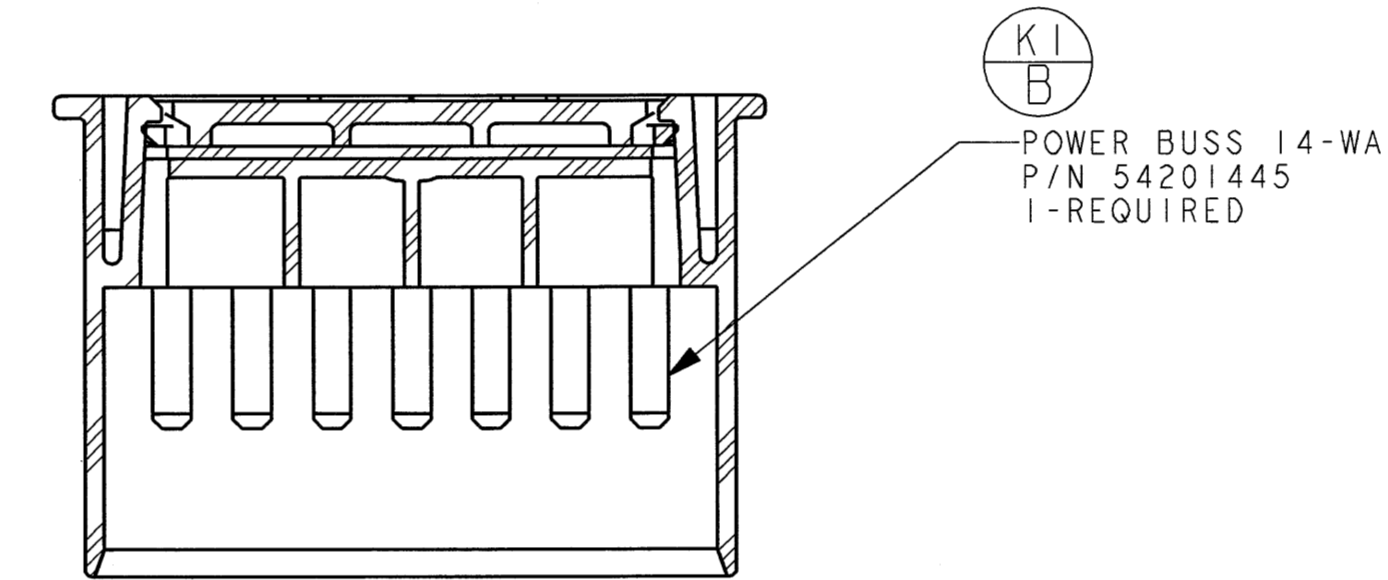
ASSY POWER BUSS
P/N 04707086 & 54201465



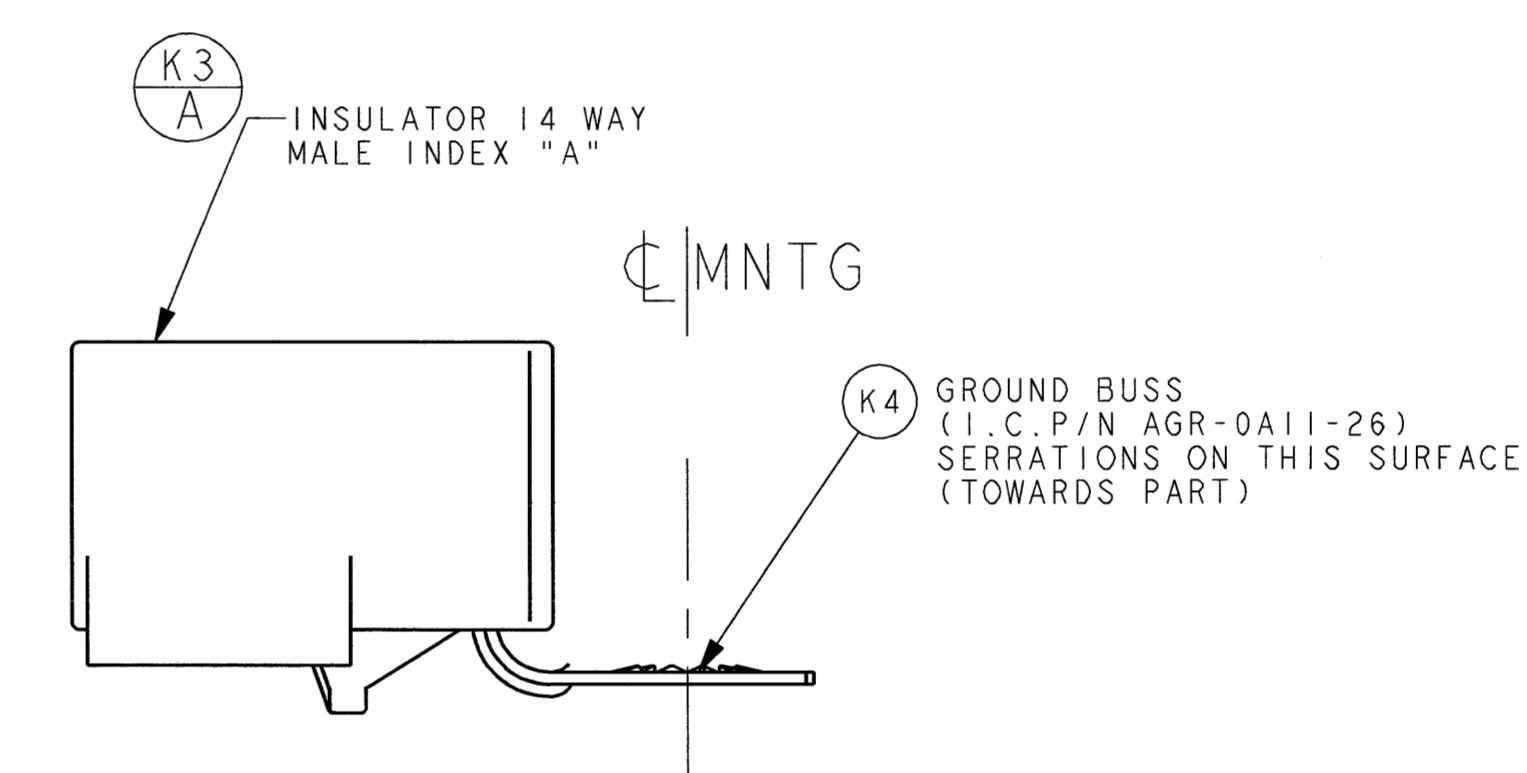
SECTION A-A
ASSY VIEW FOR REF
P/N 04707084 & 04687929



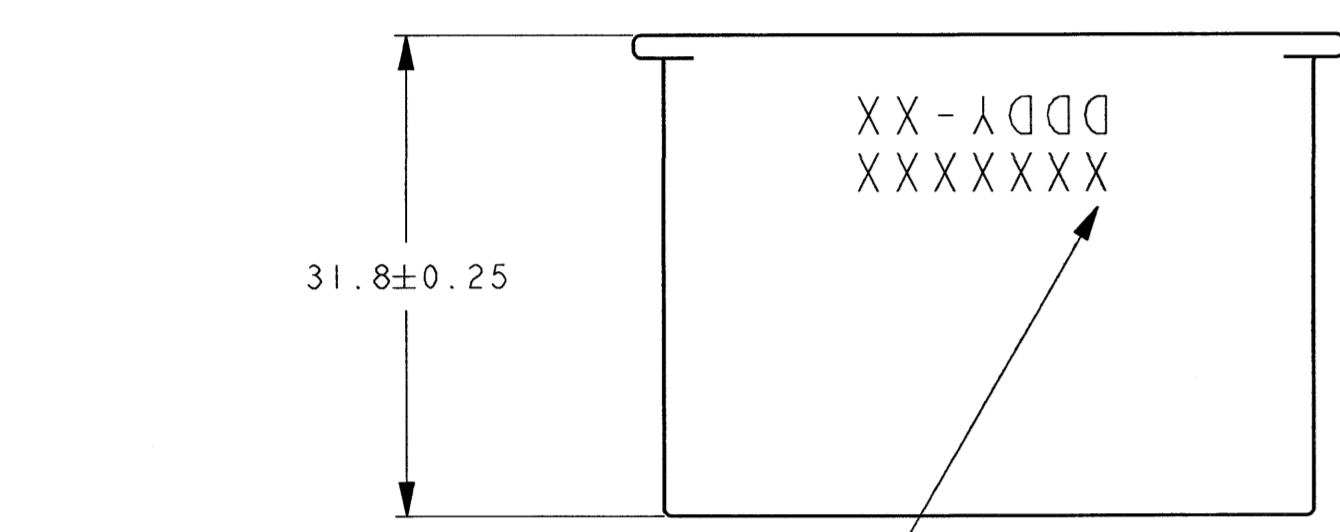
SECTION B-B
SCALE 2:1
ASSY POWER BUSS
P/N 04707086



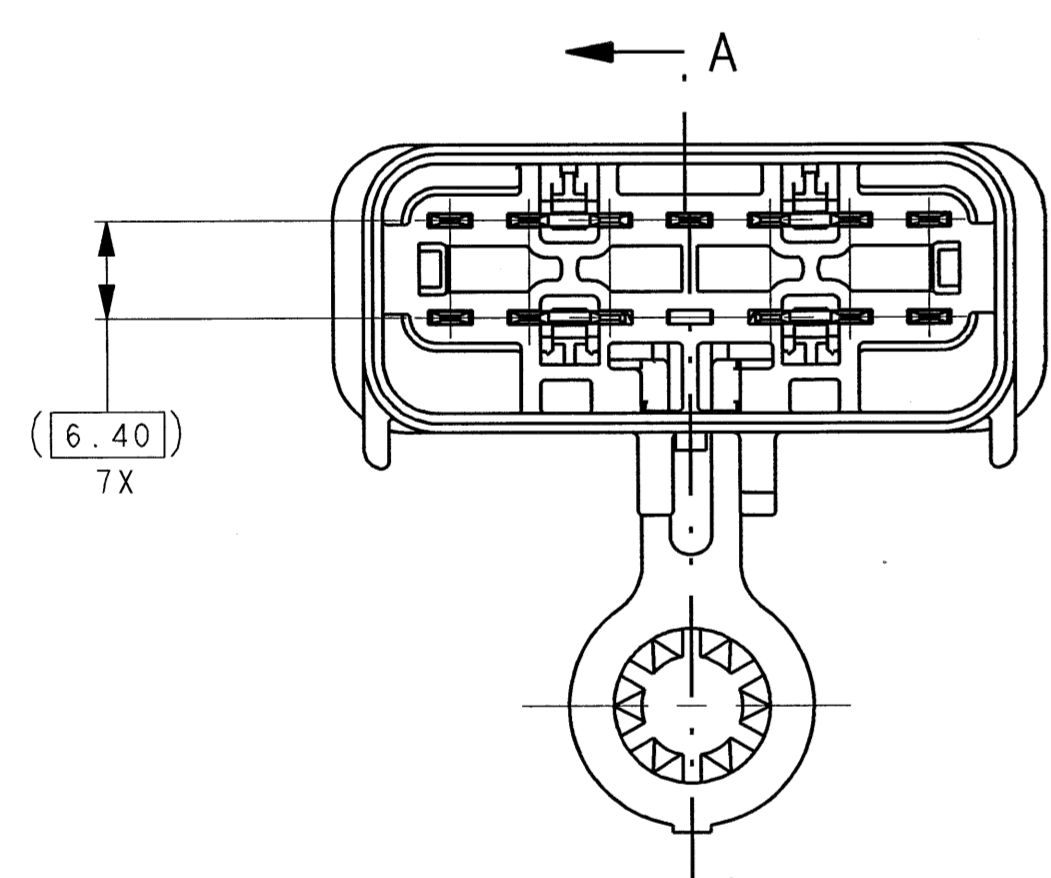
SECTION B-B
ASSY POWER BUSS
P/N 54201465



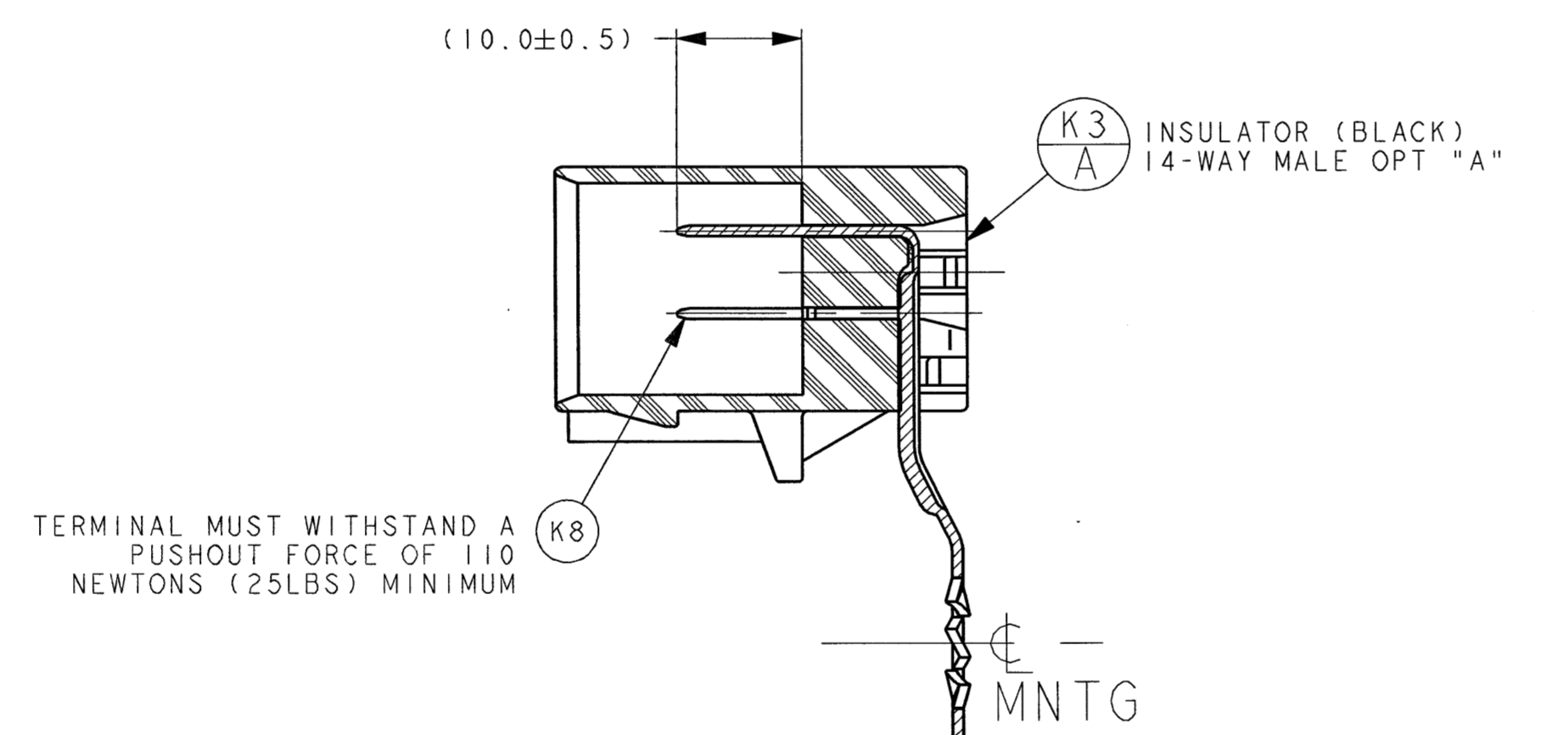
ASSY GROUND BUSS 180°
P/N 04688938



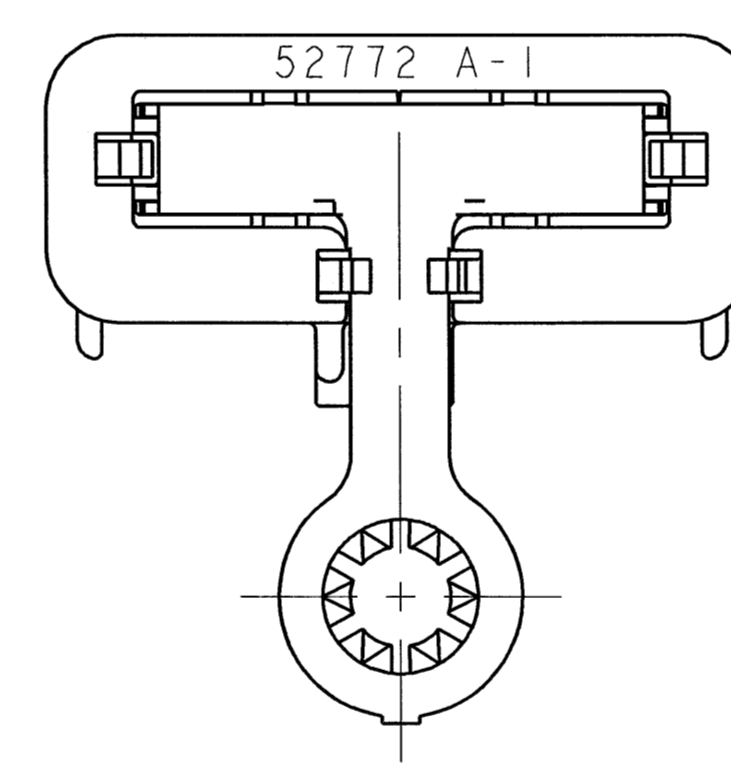
LAST 5 DIGITS OF 8 DIGITS P/N & PART CHANGE LEVEL (PCL) OR
LAST 6 DIGITS OF 10 DIGIT P/N & PART CHANGE LEVEL (PCL)
MFG. DAILY DATE CODE & ASSY MACHINE NO. LETTERING MUST BE LEGIBLE
OPTIONAL:



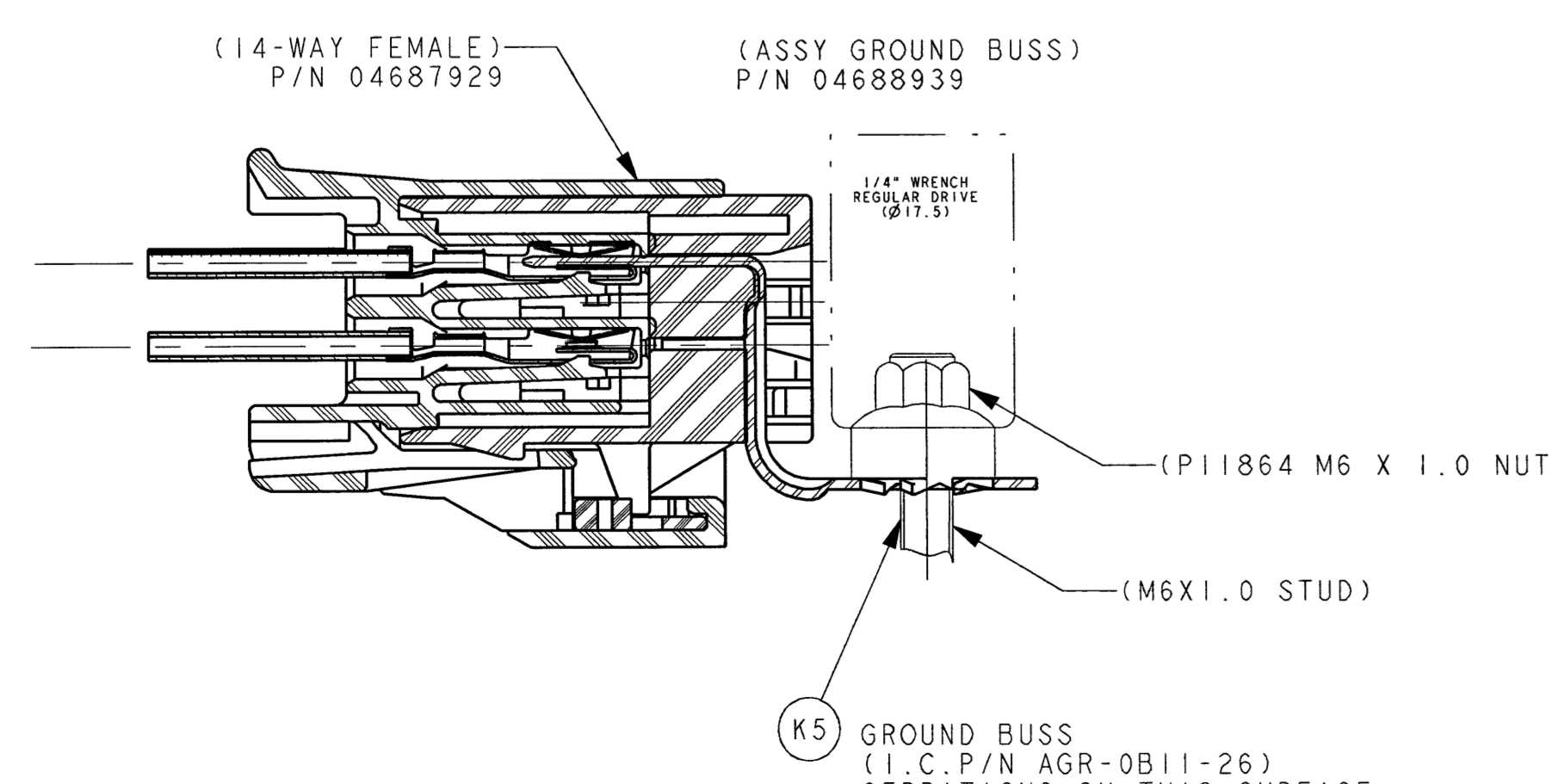
ASSY GROUND BUSS 90°
P/N 04707084



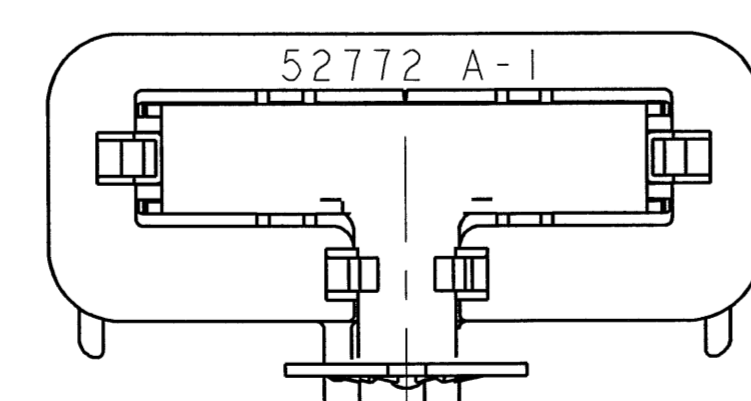
SECTION A-A
ASSY GROUND BUSS 90°
P/N 04707084



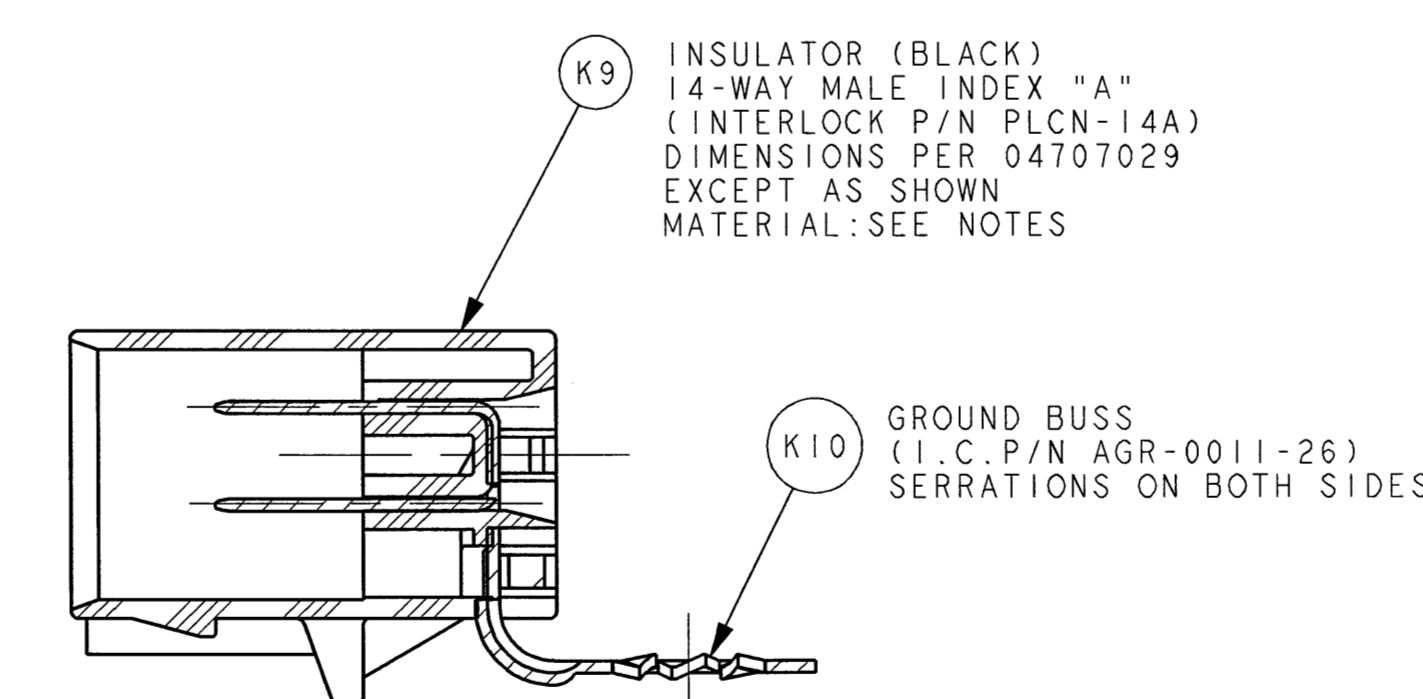
ASSY GROUND BUSS 90°
P/N 04707084



ASSY VIEW FOR REF
P/N 04688939 & 04687929



END VIEW
P/N 04688939
SHOWN



ASSY GROUND BUSS 180°
P/N 04707087

QUALITY ASSURANCE REQUIREMENTS PER DCA-7300:1
SFC DATA REQUIRED
ENGINEERING APPROVAL OF SAMPLES FROM SUPPLIER IS REQUIRED PRIOR TO AUTHORIZATION OF PART PRODUCTION CHANGES IN DESIGN COMPOSITION OR PROCESSING FROM THE PART PREVIOUSLY APPROVED FOR PART PRODUCTION REQUIRES ENGINEERING APPROVAL
WIRING FABRICATORS MUST PURCHASE FROM SOURCES SHOWN
DIMENSIONS FOR REFERENCE ONLY

(K) INDICATES IN-PROCESS INSPECTION FOR MANUFACTURING DIMENSION(S) OR SPECIFICATIONS: 11
MATERIAL: INSULATOR & COVER MS-DB41 (SAE PA66) 35% GLASS FILLED NYLON 6/6 HEAT STABILIZED & LUBRICATED BASF ULTRAMID A367, CPN 2224
COLOR: SEE CHART
TERMINAL: GRD & PWR BUSS C 19700 EXTRA HARD TIN PLATE PER PS-39
*** SUPPLIER, MOLD & CAVITY I.D. SIGNIFIES TOOL OWNERSHIP, FOR REFERENCE
ANNUAL QUALITY REQUIREMENTS: IT IS PERMISSIBLE TO PERFORM CONTINUOUS CONFORMANCE PER FCI SPECIFICATION AGA-001 INSTEAD OF ANNUAL LAYOUT & ANNUAL PV REQUIREMENTS OF QS-9000 SECTION 2 & PF-9600

ALL NON-REFERENCE DIMENSIONS ARE REQUIRED
-CURRENT PRODUCTION TOOLING
-POINT OF LAST RUN
SERVICE TOOLING GUIDE INFORMATION PER APEX TRAINING MANUAL
MUST CONFORM TO THE FOLLOWING DCA STANDARDS
(1) PS-7300 (2) DS-108 (3) PS-4480 (4) PS-9065 (5) SAE/USCAR-2 REV 4

VENDOR (CODE)	MATING PART NO.	COLOR	INDEX TYPE	INSULATOR (INTERLOCK) P/N	PART NO.	PART NAME	FCI (INTERLOCK) COVER P/N	PART CHANGE LEVEL	
	04687929	54201400	BLACK	A (PLCN-14A)	04688939	54201409	GROUND BUSS 180° SERRATIONS AWAY FROM PART	NO COVER	J
	04687929	54201400	BLACK	A (PLCN-14A)	04688938	54201408	GROUND BUSS 180° SERRATIONS TOWARD PART	NO COVER	K
	04687929	54201400	BLACK	A (PLCN-14A)	04707087	54201407	GROUND BUSS 180° SERRATIONS ON BOTH SIDES	NO COVER	K
	04687930	54201401	LT GREY	B (PLCN-14B)	N/A	54201465	POWER BUSS-14 WAY	54201471 (PLCV-14A)	R
	04687929	54201400	BLACK	A (PLCN-14A)	04707086	54201410	POWER BUSS 2-6 WAYS		R
	04687929	54201400	BLACK	A (PLCN-14A)	04707084	54201406	GROUND BUSS 90° SERRATIONS ON BOTH SIDES	NO COVER	K

UNCONTROLLED
REFERENCE: 0470150
THIS IS A COMPUTER AIDED DESIGN DRAWING SYSTEM: PRO/E
CAD ID. NO.: K09001 FILE NAME: K09001
NAME: CHART-ASSY 14WAY DRAWING NO: REF: R1
MALE GROUND & POWER BUSS K09001
(2.80 MM IN-LINE APEX CONN. SYS.) SHEET 1 OF 1

REV	DATE	BY	CHKD	APP'D	DESCRIPTION
06	07-19-06	R			RE-RELEASED WITH CORRECTED DIMENSIONS OF TYPE "B" UPDATES
05	08-08-05	R			POLARIZATION TYPE "B" INSULATOR MODIFIED TO INSULATE BARE BUSS

REV	DATE	BY	CHKD	APP'D	DESCRIPTION
06	07-19-06	R			RE-RELEASED WITH CORRECTED DIMENSIONS OF TYPE "B" UPDATES
05	08-08-05	R			POLARIZATION TYPE "B" INSULATOR MODIFIED TO INSULATE BARE BUSS

REV	DATE	BY	CHKD	APP'D	DESCRIPTION
06	07-19-06	R			RE-RELEASED WITH CORRECTED DIMENSIONS OF TYPE "B" UPDATES
05	08-08-05	R			POLARIZATION TYPE "B" INSULATOR MODIFIED TO INSULATE BARE BUSS

REV	DATE	BY	CHKD	APP'D	DESCRIPTION
06	07-19-06	R			RE-RELEASED WITH CORRECTED DIMENSIONS OF TYPE "B" UPDATES
05	08-08-05	R			POLARIZATION TYPE "B" INSULATOR MODIFIED TO INSULATE BARE BUSS

REV	DATE	BY	CHKD	APP'D	DESCRIPTION
06	07-19-06	R			RE-RELEASED WITH CORRECTED DIMENSIONS OF TYPE "B" UPDATES
05	08-08-05	R			POLARIZATION TYPE "B" INSULATOR MODIFIED TO INSULATE BARE BUSS

REV	DATE	BY	CHKD	APP'D	DESCRIPTION
06	07-19-06	R			RE-RELEASED WITH CORRECTED DIMENSIONS OF TYPE "B" UPDATES
05	08-08-05	R			POLARIZATION TYPE "B" INSULATOR MODIFIED TO INSULATE BARE BUSS

REV	DATE	BY	CHKD	APP'D	DESCRIPTION
06	07-19-06	R			RE-RELEASED WITH CORRECTED DIMENSIONS OF TYPE "B" UPDATES
05	08-08-05	R			POLARIZATION TYPE "B" INSULATOR MODIFIED TO INSULATE BARE BUSS

REV	DATE	BY	CHKD	APP'D	DESCRIPTION
06	07-19-06	R			RE-RELEASED WITH CORRECTED DIMENSIONS OF TYPE "B" UPDATES
05	08-08-05	R			POLARIZATION TYPE "B" INSULATOR MODIFIED TO INSULATE BARE BUSS

REV	DATE	BY	CHKD	APP'D	DESCRIPTION
06	07-19-06	R			RE-RELEASED WITH CORRECTED DIMENSIONS OF TYPE "B" UPDATES
05	08-08-05	R			POLARIZATION TYPE "B" INSULATOR MODIFIED TO INSULATE BARE BUSS

REV	DATE	BY	CHKD	APP'D	DESCRIPTION
06	07-19-06	R			RE-RELEASED WITH CORRECTED DIMENSIONS OF TYPE "B" UPDATES
05	08-08-05	R			POLARIZATION TYPE "B" INSULATOR MODIFIED TO INSULATE BARE BUSS

REV	DATE	BY	CHKD	APP'D	DESCRIPTION
06	07-19-06	R			RE-RELEASED WITH CORRECTED DIMENSIONS OF TYPE "B" UPDATES
05	08-08-05	R			POLARIZATION TYPE "B" INSULATOR MODIFIED TO INSULATE BARE BUSS

REV	DATE	BY	CHKD	APP'D	DESCRIPTION
06	07-19-06	R			RE-RELEASED WITH CORRECTED DIMENSIONS OF TYPE "B" UPDATES
05	08-08-05	R			POLARIZATION TYPE "B" INSULATOR MODIFIED TO INSULATE BARE BUSS

REV	DATE	BY	CHKD	APP'D	DESCRIPTION
06	07-19-06	R			RE-RELEASED WITH CORRECTED DIMENSIONS OF TYPE "B" UPDATES
05	08-08-05	R			POLARIZATION TYPE "B" INSULATOR MODIFIED TO INSULATE BARE BUSS

REV	DATE	BY	CHKD	APP'D	DESCRIPTION
06	07-19-06	R			RE-RELEASED WITH CORRECTED DIMENSIONS OF TYPE "B" UPDATES
05	08-08-05	R			POLARIZATION TYPE "B" INSULATOR MODIFIED TO INSULATE BARE BUSS

REV	DATE	BY	CHKD	APP'D	DESCRIPTION
06	07-19-06	R			RE-RELEASED WITH CORRECTED DIMENSIONS OF TYPE "B" UPDATES
05	08-08-05	R			POLARIZATION TYPE "B" INSULATOR MODIFIED TO INSULATE BARE BUSS

REV	DATE	BY	CHKD	APP'D	DESCRIPTION
06	07-19-06	R			RE-RELEASED WITH CORRECTED DIMENSIONS OF TYPE "B" UPDATES
05	08-08-05	R			POLARIZATION TYPE "B" INSULATOR MODIFIED TO INSULATE BARE BUSS

REV	DATE	BY	CHKD	APP'D	DESCRIPTION
06	07-19-06	R			RE-RELEASED WITH CORRECTED DIMENSIONS OF TYPE "B" UPDATES
05	08-08-05	R			POLARIZATION TYPE "B" INSULATOR MODIFIED TO INSULATE BARE BUSS

REV	DATE	BY	CHKD	APP'D	DESCRIPTION
06	07-19-06	R			RE-RELEASED WITH CORRECTED DIMENSIONS OF TYPE "B" UPDATES
05	08-08-05	R			POLARIZATION TYPE "B" INSULATOR MODIFIED TO INSULATE BARE BUSS

REV	DATE	BY	CHKD	APP'D	DESCRIPTION
06	07-19-06	R			RE-RELEASED WITH CORRECTED DIMENSIONS OF TYPE "B" UPDATES
05	08-08-05	R			POLARIZATION TYPE "B" INSULATOR MODIFIED TO INSULATE BARE BUSS

REV	DATE	BY	CHKD	APP'D	DESCRIPTION
06	07-19-06	R			RE-RELEASED WITH CORRECTED DIMENSIONS OF TYPE "B" UPDATES
05	08-08-05	R			POLARIZATION TYPE "B" INSULATOR MODIFIED TO INSULATE BARE BUSS

REV	DATE	BY	CHKD	APP'D	DESCRIPTION
06	07-19-06	R			RE-RELEASED WITH CORRECTED DIMENSIONS OF TYPE "B" UPDATES
05	08-08-05	R			POLARIZATION TYPE "B" INSULATOR MODIFIED TO INSULATE BARE BUSS

REV	DATE	BY	CHKD	APP'D	DESCRIPTION
06	07-19-06	R			RE-RELEASED WITH CORRECTED DIMENSIONS OF TYPE "B" UPDATES
05	08-08-05	R			POLARIZATION TYPE "B" INSULATOR MODIFIED TO INSULATE BARE BUSS

REV	DATE	BY	CHKD	APP'D	DESCRIPTION
06	07-19-06	R			RE-RELEASED WITH CORRECTED DIMENSIONS OF TYPE "B" UPDATES
05	08-08-05	R			POLARIZATION TYPE "B" INSULATOR MODIFIED TO INSULATE BARE BUSS

REV	DATE	BY	CHKD	APP'D	DESCRIPTION
06	07-19-06	R			RE-RELEASED WITH CORRECTED DIMENSIONS OF TYPE "B" UPDATES
05	08-08-05	R			POLARIZATION TYPE "B" INSULATOR MODIFIED TO INSULATE BARE BUSS

REV	DATE	BY	CHKD	APP'D	DESCRIPTION
06	07-19-06	R			RE-RELEASED WITH CORRECTED DIMENSIONS OF TYPE "B" UPDATES
05	08-08-05	R			POLARIZATION TYPE "B" INSULATOR MODIFIED TO INSULATE BARE BUSS

REV	DATE	BY	CHKD	APP'D	DESCRIPTION
06	07-19-06	R			RE-RELEASED WITH CORRECTED DIMENSIONS OF TYPE "B" UPDATES
05	08-08-05	R			POLARIZATION TYPE "B" INSULATOR MODIFIED TO INSULATE BARE BUSS

REV	DATE	BY	CHKD	APP'D	DESCRIPTION
06	07-19-06	R			RE-RELEASED WITH CORRECTED DIMENSIONS OF TYPE "B" UPDATES
05	08-08-05	R			POLARIZATION TYPE "B" INSULATOR MODIFIED TO INSULATE BARE BUSS

REV	DATE	BY	CHKD	APP'D	DESCRIPTION
06	07-19-06	R			RE-RELEASED WITH CORRECTED DIMENSIONS OF TYPE "B" UPDATES
05	08-08-05	R			POLARIZATION TYPE "B" INSULATOR MODIFIED TO INSULATE BARE BUSS

REV	DATE	BY	CHKD	APP'D	DESCRIPTION
06	07-19-06	R			RE-RELEASED WITH CORRECTED DIMENSIONS OF TYPE "B" UPDATES
05	08-08-05	R			POLARIZATION TYPE "B" INSULATOR MODIFIED TO INSULATE BARE BUSS

REV	DATE	BY	CHKD	APP'D	DESCRIPTION
06	07-19-06	R			RE-RELEASED WITH CORRECTED DIMENSIONS OF TYPE "B" UPDATES
05	08-08-05	R			POLARIZATION TYPE "B" INSULATOR MODIFIED TO INSULATE BARE BUSS

REV	DATE	BY	CHKD	APP'D	DESCRIPTION
06	07-19-06	R			RE-RELEASED WITH CORRECTED DIMENSIONS OF TYPE "B" UPDATES
05	08-08-05	R			POLARIZATION TYPE "B" INSULATOR MODIFIED TO INSULATE BARE BUSS

REV	DATE	BY	CHKD	APP'D	DESCRIPTION
06	07-19-06	R			RE-RELEASED WITH CORRECTED DIMENSIONS OF TYPE "B" UPDATES
05	08-08-05	R			POLARIZATION TYPE "B" INSULATOR MODIFIED TO INSULATE BARE BUSS

REV	DATE	BY	CHKD	APP'D	DESCRIPTION
06	07-19-06	R			RE-RELEASED WITH CORRECTED DIMENSIONS OF TYPE "B" UPDATES
05	08-08-05	R			POLARIZATION TYPE "B" INSULATOR MODIFIED TO INSULATE BARE BUSS

REV	DATE	BY	CHKD	APP'D	DESCRIPTION
06	07-19-06	R			RE-RELEASED WITH CORRECTED DIMENSIONS OF TYPE "B" UPDATES
05	08-08-05	R			POLARIZATION TYPE "B" INSULATOR MODIFIED TO INSULATE BARE BUSS

REV	DATE	BY	CHKD	APP'D	DESCRIPTION
06	07-19-06	R			RE-RELEASED WITH CORRECTED DIMENSIONS OF TYPE "B" UPDATES
05	08-08-05	R			POLARIZATION TYPE "B" INSULATOR MODIFIED TO INSULATE BARE BUSS

REV	DATE	BY	CHKD	APP'D	DESCRIPTION
06	07-19-06	R			RE-RELEASED WITH CORRECTED DIMENSIONS OF TYPE "B" UPDATES
05	08-08-05	R			POLARIZATION TYPE "B" INSULATOR MODIFIED TO INSULATE BARE BUSS

REV	DATE	BY	CHKD	APP'D	DESCRIPTION
06	07-19-06	R			RE-RELEASED WITH CORRECTED DIMENSIONS OF TYPE "B" UPDATES
05	08-08-05	R			POLARIZATION TYPE "B" INSULATOR MODIFIED TO INSULATE BARE BUSS

REV	DATE	BY	CHKD	APP'D	DESCRIPTION
06	07-19-06	R			RE-RELEASED WITH CORRECTED DIMENSIONS OF TYPE "B" UPDATES
05	08-08-05	R			POLARIZATION TYPE "B" INSULATOR MODIFIED TO INSULATE BARE BUSS

REV	DATE	BY	CHKD	APP'D	DESCRIPTION
06	07-19-06	R			RE-RELEASED WITH CORRECTED DIMENSIONS OF TYPE "B" UPDATES
05	08-08-05	R			POLARIZATION TYPE "B" INSULATOR MODIFIED TO INSULATE BARE BUSS

REV	DATE	BY	CHKD	APP'D	DESCRIPTION
06	07-19-06	R			RE-RELEASED WITH CORRECTED DIMENSIONS OF TYPE "B" UPDATES
05	08-08-05	R			POLARIZATION TYPE

Компания «Life Electronics» занимается поставками электронных компонентов импортного и отечественного производства от производителей и со складов крупных дистрибьюторов Европы, Америки и Азии.

С конца 2013 года компания активно расширяет линейку поставок компонентов по направлению коаксиальный кабель, кварцевые генераторы и конденсаторы (керамические, пленочные, электролитические), за счёт заключения дистрибьюторских договоров

Мы предлагаем:

- Конкурентоспособные цены и скидки постоянным клиентам.
- Специальные условия для постоянных клиентов.
- Подбор аналогов.
- Поставку компонентов в любых объемах, удовлетворяющих вашим потребностям.
- Приемлемые сроки поставки, возможна ускоренная поставка.
- Доставку товара в любую точку России и стран СНГ.
- Комплексную поставку.
- Работу по проектам и поставку образцов.
- Формирование склада под заказчика.
- Сертификаты соответствия на поставляемую продукцию (по желанию клиента).
- Тестирование поставляемой продукции.
- Поставку компонентов, требующих военную и космическую приемку.
- Входной контроль качества.
- Наличие сертификата ISO.

В составе нашей компании организован Конструкторский отдел, призванный помогать разработчикам, и инженерам.

Конструкторский отдел помогает осуществить:

- Регистрацию проекта у производителя компонентов.
- Техническую поддержку проекта.
- Защиту от снятия компонента с производства.
- Оценку стоимости проекта по компонентам.
- Изготовление тестовой платы монтаж и пусконаладочные работы.



Тел: +7 (812) 336 43 04 (многоканальный)

Email: org@lifeelectronics.ru