

NB3L853141

2.5V/3.3V 1:5 LVPECL Fanout Buffer

Description

The NB3L853141 is a low skew 1:5 LVPECL Clock fanout buffer designed explicitly for low output skew applications.

The NB3L853141 features a multiplexed input which can be driven by either a differential or single-ended input to allow for the distribution of a lower speed clock along with the high speed system clock.

The SEL pin will select the differential clock inputs, CLK0 & $\overline{\text{CLK0}}$, when LOW (or left open and pulled LOW by the internal pull-down resistor). When SEL is HIGH, the single-ended CLK1 input is selected.

The common enable ($\overline{\text{EN}}$) is synchronous so that the outputs will only be enabled/disabled when they are already in the LOW state. This avoids any chance of generating a runt clock pulse when the device is enabled/disabled as can happen with an asynchronous control. The internal flip flop is clocked on the falling edge of the input clock, therefore, all associated specification limits are referenced to the negative edge of the clock input.

Features

- 700 MHz Maximum Clock Output Frequency
- CLK0 and $\overline{\text{CLK0}}$ can Accept Differential LVPECL, LVDS, HCSL, LVHSTL, SSTL, LVCMOS
- CLK1 can Accept LVCMOS and LVTTTL
- Five Differential LVPECL Clock Outputs
- 1.5 ns Maximum Propagation Delay
- Operating Range: $V_{CC} = 2.375 \text{ V to } 3.8 \text{ V}$
- LVCMOS Compatible Control Inputs
- Selectable Differential or LVCMOS Clock Inputs
- Synchronous Clock Enable
- 30 ps Max. Skew Between Outputs
- $-40^{\circ}\text{C to } +85^{\circ}\text{C}$ Ambient Operating Temperature Range
- TSSOP-20 Package
- These are Pb-Free Devices

Applications

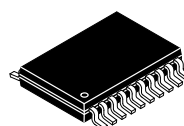
- Computing and Telecom
- Routers, Servers and Switches
- Backplanes



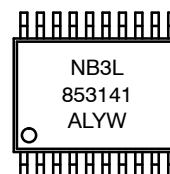
ON Semiconductor®

<http://onsemi.com>

MARKING DIAGRAM



TSSOP-20
DT SUFFIX
CASE 948E



A = Assembly Location
WL = Wafer Lot
YY = Year
WW = Work Week
G = Pb-Free Package

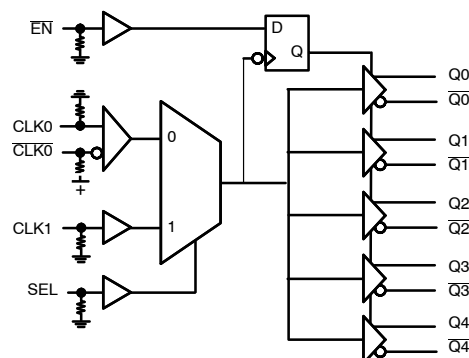
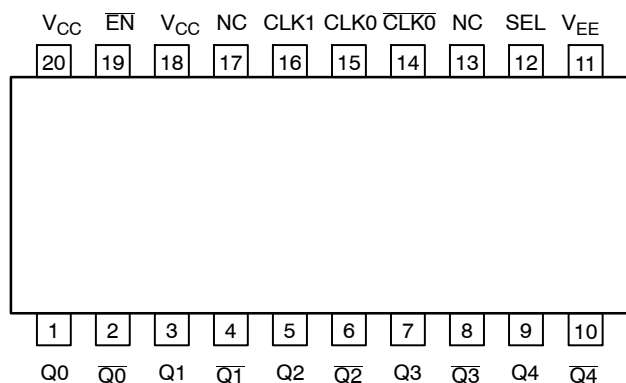


Figure 1. Simplified Logic Diagram of NB3L853141

ORDERING INFORMATION

See detailed ordering and shipping information on page 8 of this data sheet.

NB3L853141



Note: All V_{CC} and V_{EE} pins must be externally connected to Power Supply to guarantee proper operation.

Figure 1. Pinout (Top View) and Logic Diagram

Table 1. FUNCTION TABLE

CLK0	CLK1	SEL	EN	Q
L	X	L	L	L
H	X	L	L	H
X	L	H	L	L
X	H	H	L	H
X	X	X	H	L*

*On next negative transition of CLK0 or CLK1
X = Don't Care

Table 2. PIN DESCRIPTION

Pin Number	Name	I/O	Open Default	Description
1	Q0	LVPECL Output		Non-Inverted Differential Clock Output
2	Q0	LVPECL Output		Inverted Differential Clock Output
3	Q1	LVPECL Output		Non-Inverted Differential Clock Output
4	Q1	LVPECL Output		Inverted Differential Clock Output
5	Q2	LVPECL Output		Non-Inverted Differential Clock Output
6	Q2	LVPECL Output		Inverted Differential Clock Output
7	Q3	LVPECL Output		Non-Inverted Differential Clock Output
8	Q3	LVPECL Output		Inverted Differential Clock Output
9	Q4	LVPECL Output		Non-Inverted Differential Clock Output
10	Q4	LVPECL Output		Inverted Differential Clock Output
11	VEE	Power		Negative Supply Voltage
12	SEL	LVC MOS / LV TTL Input	Low	Clock Select Input. When HIGH, selects CLK1 input. When LOW, selects CLK0, CLK0 inputs. Internal Pull-down Resistor.
13	NC			No Connect
14	CLK0	Multi-Level Input	High	Inverted Differential Clock Input. Internal Pull-up Resistor.
15	CLK0	Multi-Level Input	Low	Non-Inverted Differential Clock Input. Internal Pull-down Resistor.
16	CLK1	LVC MOS / LV TTL Input	Low	Single-ended Clock Input. Internal Pull-down Resistor.
17	NC			No Connect
18	VCC	Power		Positive Supply Voltage
19	EN	LVC MOS / LV TTL Input	Low	Synchronous Clock Enable Input. When Low, outputs are enabled. When High, outputs are disabled Low. Internal Pull-down Resistor.
20	VCC	Power		Positive Supply Voltage

All VCC and VEE pins must be externally connected to a power supply to guarantee proper operation. Bypass each supply pin with 0.01 μF to GND.

NB3L853141

Table 3. ATTRIBUTES (Note 1)

Characteristics		Value
ESD Protection	Human Body Model Machine Model	> 2 kV > 200 V
R_{PU} – Pull-up Resistor		50 k Ω
R_{PD} – Pull-down Resistor		50 k Ω
Moisture Sensitivity (Note 1)	TSSOP–20	Level 1
Flammability Rating	Oxygen Index: 28 to 34	UL*94 code V*0 @ 0.125 in
Transistor Count		300
Meets or exceeds JEDEC Spec EIA/JESD78 IC Latchup Test		

1. For additional information, see Application Note AND8003/D.

Table 4. MAXIMUM RATINGS

Symbol	Parameter	Condition 1	Condition 2	Rating	Unit
V_{CC}	LVPECL Mode Power Supply	$V_{EE} = 0\text{ V}$		4.6	V
V_I	LVPECL Mode Input Voltage	$V_{EE} = 0\text{ V}$	$V_I \leq V_{CC}$	-0.5 to $V_{CC} + 0.5$	V
I_{out}	Output Current	Continuous Surge		50 100	mA mA
T_A	Operating Temperature Range			-40 to +85	$^{\circ}\text{C}$
T_{stg}	Storage Temperature Range			-65 to +150	$^{\circ}\text{C}$
θ_{JA}	Thermal Resistance (Junction-to-Ambient)	0 lfpm 500 lfpm	TSSOP–20 TSSOP–20	140 50	$^{\circ}\text{C}/\text{W}$
θ_{JC}	Thermal Resistance (Junction-to-Case)	Standard Board	TSSOP–20	23 to 41	$^{\circ}\text{C}/\text{W}$
T_{sol}	Wave Solder	<2 to 3 sec @ 260 $^{\circ}\text{C}$		265	$^{\circ}\text{C}$

Stresses exceeding Maximum Ratings may damage the device. Maximum Ratings are stress ratings only. Functional operation above the Recommended Operating Conditions is not implied. Extended exposure to stresses above the Recommended Operating Conditions may affect device reliability.

NB3L853141

Table 5. DC CHARACTERISTICS $V_{CC} = 2.375\text{ V to }3.8\text{ V}$; $V_{EE} = 0\text{ V}$ (Note 2); $T_A = -40^\circ\text{C to }+85^\circ\text{C}$

Symbol	Characteristic	Min	Typ	Max	Unit
POWER SUPPLY					
V_{CC}	Power Supply Voltage	2.375		3.8	V
I_{EE}	Power Supply Current (Outputs Open)		40	55	mA
LVPECL OUTPUTS (Note 3)					
V_{OH}	Output HIGH Voltage	$V_{CC}-1.4$		$V_{CC}-0.9$	V
V_{OL}	Output LOW Voltage	$V_{CC}-2.0$		$V_{CC}-1.7$	V
V_{SWING}	Output Voltage Swing, Peak-to-Peak	0.6		1.0	V
DIFFERENTIAL INPUTS DRIVEN SINGLE-ENDED (Note 4) (Figures 3 and 4)					
V_{IH}	Single-ended Input HIGH Voltage	0.5		$V_{CC}+0.3$	V
V_{IL}	Single-ended Input LOW Voltage	-0.3		$V_{CC}-1.0$	V
V_{th}	Input Threshold Reference Voltage Range (Note 5)	0.35		$V_{CC}-0.85$	V
V_{ISE}	Single-ended Input Voltage ($V_{IH} - V_{IL}$)	0.3		V_{CC}	V
DIFFERENTIAL INPUTS DRIVEN DIFFERENTIALLY (see Figures 5 and 6) (Note 6)					
V_{IHD}	Differential Input HIGH Voltage	0.5		$V_{CC}-0.85$	mV
V_{ILD}	Differential Input LOW Voltage	0		$V_{IHD}-150$	mV
V_{ID}	Differential Input Voltage ($V_{IHD} - V_{ILD}$)	0.15		1.3	V
V_{CMR}	Common Mode Input Voltage; (Note 7)	0.5		$V_{CC}-0.85$	
I_{IH}	Input HIGH Current $V_{CC} = V_{IN} = 3.8\text{ V CLK0 CLK0}$			150 5	μA
I_{IL}	Input LOW Current $V_{CC} = 3.8\text{ V}, V_{IN} = 0\text{ V CLK0 CLK0}$	-5 -150			μA
SINGLE-ENDED INPUTS (SEL, EN, CLK1)					
V_{IH}	Input HIGH Voltage SEL, EN CLK1	2.0 2.0		$V_{CC}+0.3$ $V_{CC}+0.3$	V
V_{IL}	Input LOW Voltage SEL, EN CLK1	-0.3 -0.3		0.8 $V_{CC}\times 0.35$	V
I_{IH}	Input HIGH Current $V_{CC} = V_{IN} = 3.8\text{ V}$ CLK1, SEL, EN			150	μA
I_{IL}	CLK1, SEL, EN	-5			μA

NOTE: Device will meet the specifications after thermal equilibrium has been established when mounted in a test socket or printed circuit board with maintained transverse airflow greater than 500 lfm. Electrical parameters are guaranteed only over the declared operating temperature range. Functional operation of the device exceeding these conditions is not implied. Device specification limit values are applied individually under normal operating conditions and not valid simultaneously.

2. Input and Output parameters vary 1:1 with V_{CC} .
3. LVPECL outputs loaded with $50\ \Omega$ to $V_{CC} - 2\text{ V}$ for proper operation.
4. V_{th} , V_{IH} , V_{IL} , and V_{ISE} parameters must be complied with simultaneously.
5. V_{th} is applied to the complementary input when operating in single-ended mode.
6. V_{IHD} , V_{ILD} , V_{ID} and V_{CMR} parameters must be complied with simultaneously.
7. The common mode voltage is defined as V_{IH} .

NB3L853141

Table 6. AC CHARACTERISTICS, $V_{CC} = 2.375\text{ V to }3.8\text{ V}$, $T_A = -40^\circ\text{C to }+85^\circ\text{C}$ (Note 8)

Symbol	Characteristic	Min	Typ	Max	Unit	
f_{MAX}	Maximum Input Clock Frequency: $V_{OUTpp} \geq 400\text{ mV}$ CLK0/ $\overline{\text{CLK0}}$, $V_{INPPmin} \geq 250\text{ mV}$ CLK1	700 300			MHz	
Φ_N	Phase Noise, $f_C = 155.52\text{ MHz}$ 10 Hz 100 Hz 1 kHz 10 kHz 100 kHz 1 MHz 10 MHz 20 MHz		Offset from Carrier -100.5 -128.2 -138.6 -147.1 -149.7 -154.2 -154.2 -154.2		dBc/ Hz	
t_{PLH} , t_{PHL}	Propagation Delay to Differential Outputs, @ 50 MHz Note 9 Note 10	CLK0/ $\overline{\text{CLK0}}$ to Q/ $\overline{\text{Q}}$ CLK1 to Q	0.8 0.8	1.0 1.0	1.5 1.5	ns
$t_{j\Phi N}$	Additive Phase Jitter, RMS; $f_C = 155.52\text{ MHz}$, Integration Range: 12 kHz – 20 MHz		0.05		ps	
$tsk(o)$	Output-to-output skew; (Note 11)			30	ps	
$tsk(pp)$	Part-to-Part Skew; (Note 12)			150	ps	
V_{INpp}	Input Voltage Swing/Sensitivity (Differential Configuration) (Note 14)	150		1300	mV	
t_r/t_f	Output rise and fall times, 20% to 80%, Q, $\overline{\text{Q}}$	200		700	ps	
ODC	Output Clock Duty Cycle Input Duty Cycle = 50% CLK0/ $\overline{\text{CLK0}}$, $f \leq 700\text{ MHz}$, $V_{INPPmin} \geq 250\text{ mV}$ CLK1, $f \leq 250\text{ MHz}$	45 45		55 55	%	

All parameters measured at f_{MAX} unless noted otherwise.

The cycle-to-cycle jitter on the input will equal the jitter on the output. The part does not add jitter

8. Measured using a $V_{INPPmin}$ source, Reference Duty Cycle = 50% duty cycle clock source. All output loading with external $50\ \Omega$ to $V_{CC} - 2\text{ V}$.

9. Measured from the differential input crossing point to the differential output crossing point.

10. Measured from $V_{CC}/2$ input crossing point to the differential output crossing point.

11. Defined as skew between outputs at the same supply voltage and with equal load conditions. Measured at the output differential cross points.

12. Defined as skew between outputs on different devices operating at the same supply voltages and with equal load conditions. Using the same type of inputs on each device, the outputs are measured at the differential cross points.

13. Output voltage swing is a single-ended measurement operating in differential mode.

14. Input voltage swing is a single-ended measurement operating in differential mode.

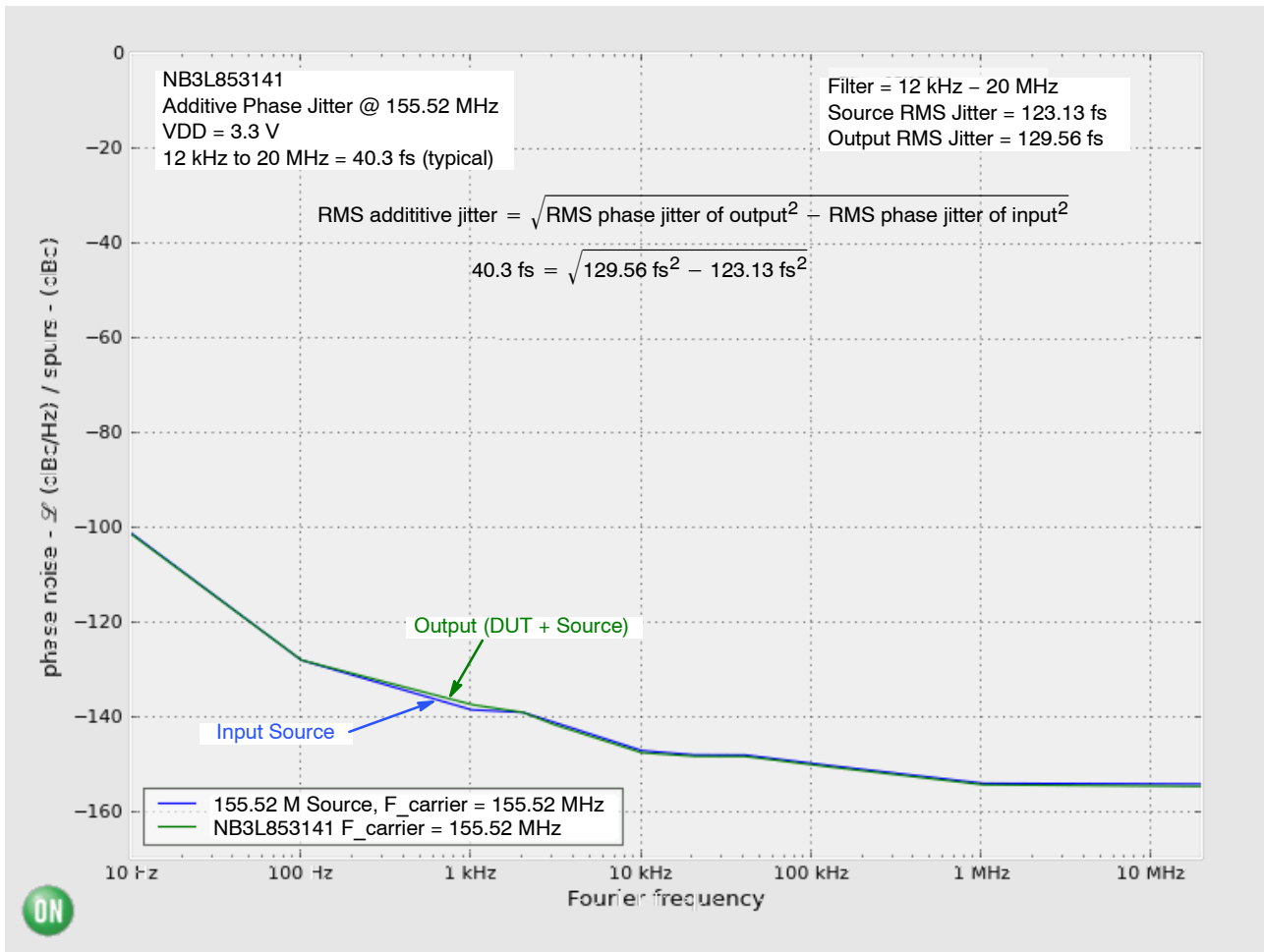


Figure 2. Typical Phase Noise Plot at $f_{\text{carrier}} = 155.52$ MHz at an Operating Voltage of 3.3 V, Room Temperature

The above phase noise data was captured using Agilent E5052A/B. The data displays the input phase noise and output phase noise used to calculate the additive phase jitter at a specified integration range. The RMS Phase Jitter contributed by the device (integrated between 12 kHz and 20 MHz) is 40.3 fs.

The additive phase jitter performance of the fanout buffer is highly dependent on the phase noise of the input source.

To obtain the most accurate additive phase noise measurement, it is vital that the source phase noise be

notably lower than that of the DUT. If the phase noise of the source is greater than the device under test output, the source noise will dominate the additive phase jitter calculation and lead to an artificially low result for the additive phase noise measurement within the integration range. The Figure above is a good example of the NB3L853141 source generator phase noise having a significantly higher floor such that the DUT output results in an additive phase jitter of 40.3 fs.

$$\text{RMS additive jitter} = \sqrt{\text{RMS phase jitter of output}^2 - \text{RMS phase jitter of input}^2}$$

$$40.3 \text{ fs} = \sqrt{129.56 \text{ fs}^2 - 123.13 \text{ fs}^2}$$

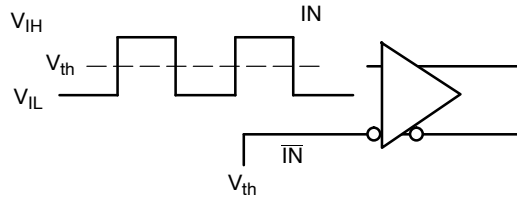


Figure 3. Differential Input Driven Single-Ended

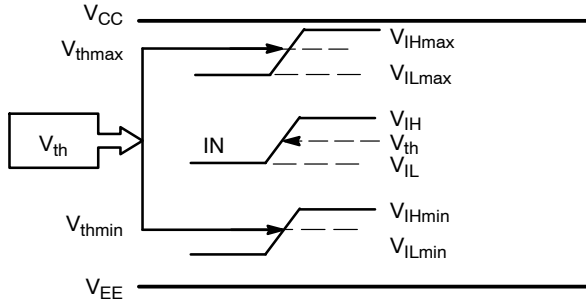


Figure 4. V_{th} Diagram

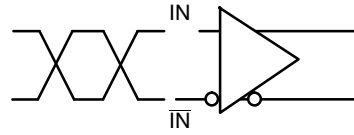


Figure 5. Differential Inputs Driven Differentially

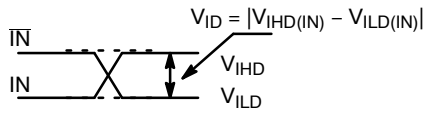


Figure 6. Differential Inputs Driven Differentially

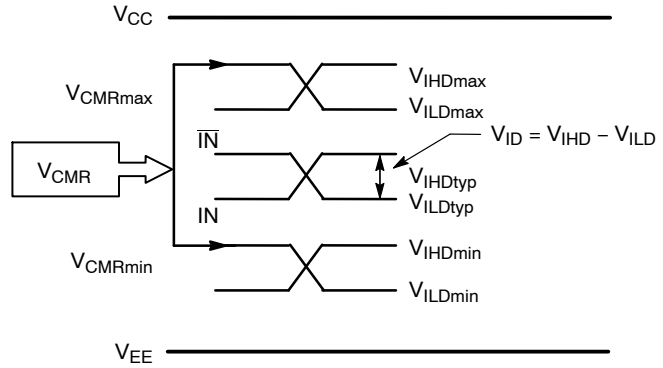


Figure 7. V_{CMR} Diagram

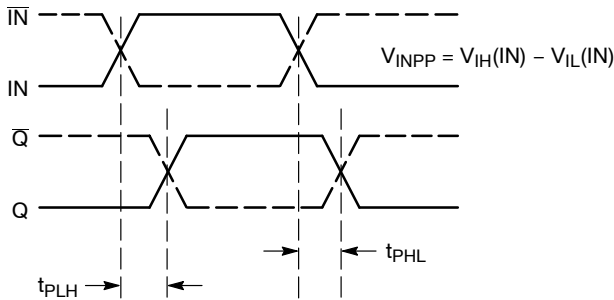


Figure 8. AC Reference Measurement

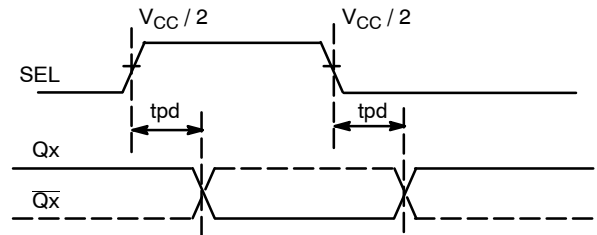
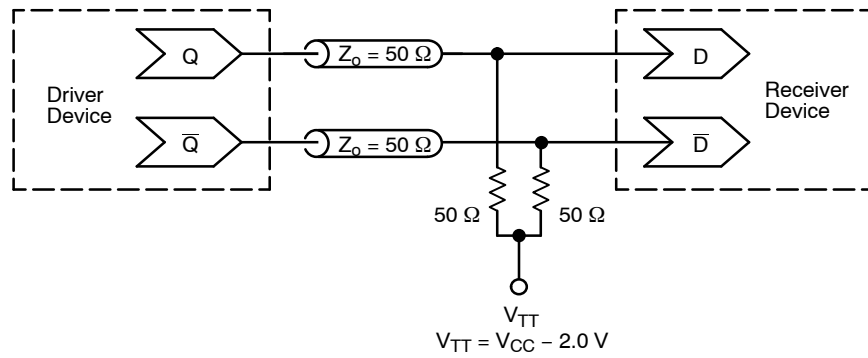


Figure 9. SEL to Qx Timing Diagram

NB3L853141



**Figure 10. Typical Termination for Output Driver and Device Evaluation
(See Application Note AND8020/D – Termination of ECL Logic Devices.)**

ORDERING INFORMATION

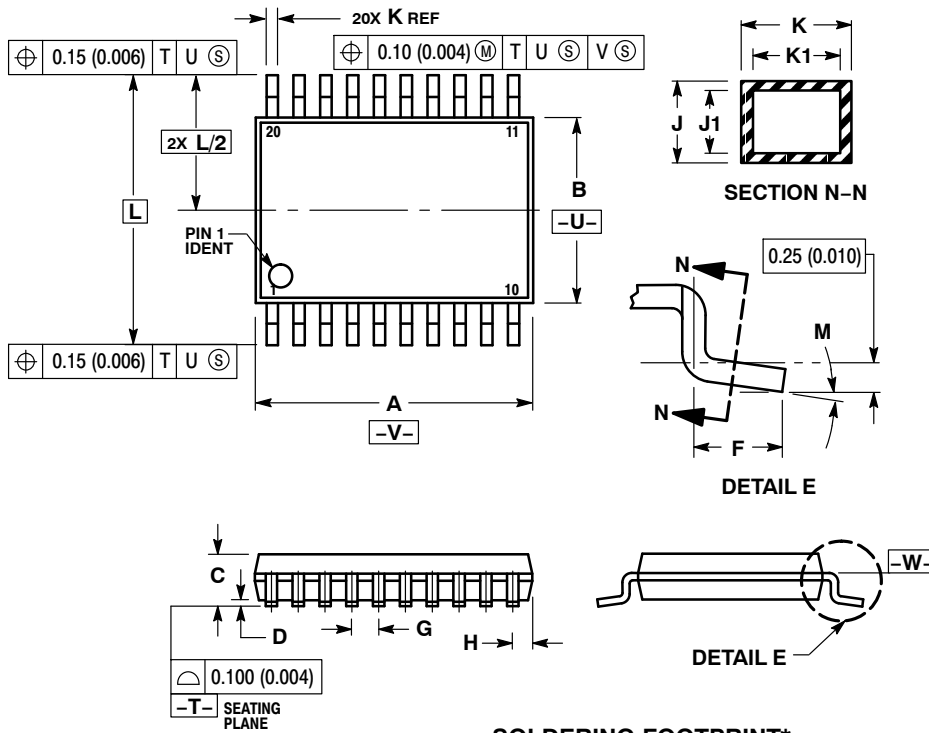
Device	Package	Shipping [†]
NB3L853141DTG	TSSOP-20 (Pb-Free)	75 Units / Rail
NB3L853141DTR2G	TSSOP-20 (Pb-Free)	2500 / Tape & Reel

[†]For information on tape and reel specifications, including part orientation and tape sizes, please refer to our Tape and Reel Packaging Specifications Brochure, BRD8011/D.

NB3L853141

PACKAGE DIMENSIONS

TSSOP-20
CASE 948E-02
ISSUE C

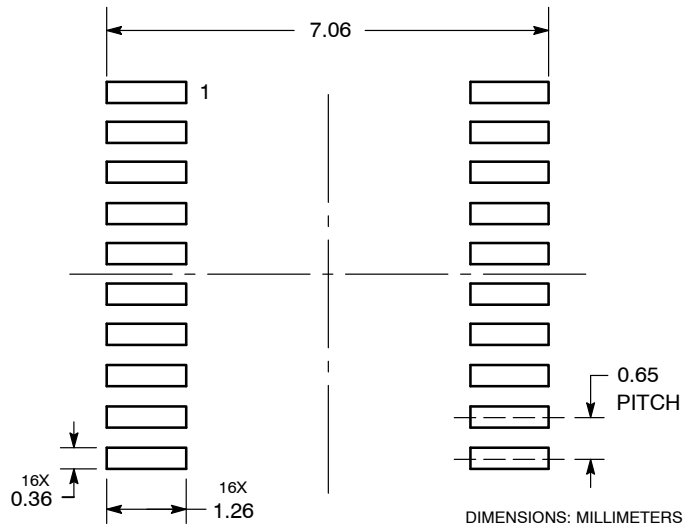


NOTES:


1. DIMENSIONING AND TOLERANCING PER ANSI Y14.5M, 1982.
2. CONTROLLING DIMENSION: MILLIMETER.
3. DIMENSION A DOES NOT INCLUDE MOLD FLASH, PROTRUSIONS OR GATE BURRS. MOLD FLASH OR GATE BURRS SHALL NOT EXCEED 0.15 (0.006) PER SIDE.
4. DIMENSION B DOES NOT INCLUDE INTERLEAD FLASH OR PROTRUSION. INTERLEAD FLASH OR PROTRUSION SHALL NOT EXCEED 0.25 (0.010) PER SIDE.
5. DIMENSION K DOES NOT INCLUDE DAMBAR PROTRUSION. ALLOWABLE DAMBAR PROTRUSION SHALL BE 0.08 (0.003) TOTAL IN EXCESS OF THE K DIMENSION AT MAXIMUM MATERIAL CONDITION.
6. TERMINAL NUMBERS ARE SHOWN FOR REFERENCE ONLY.
7. DIMENSION A AND B ARE TO BE DETERMINED AT DATUM PLANE -W-.

DIM	MILLIMETERS		INCHES	
	MIN	MAX	MIN	MAX
A	6.40	6.60	0.252	0.260
B	4.30	4.50	0.169	0.177
C	---	1.20	---	0.047
D	0.05	0.15	0.002	0.006
F	0.50	0.75	0.020	0.030
G	0.65 BSC		0.026 BSC	
H	0.27	0.37	0.011	0.015
J	0.09	0.20	0.004	0.008
J1	0.09	0.16	0.004	0.006
K	0.19	0.30	0.007	0.012
K1	0.19	0.25	0.007	0.010
L	6.40 BSC		0.252 BSC	
M	0°	8°	0°	8°

SOLDERING FOOTPRINT*



*For additional information on our Pb-Free strategy and soldering details, please download the ON Semiconductor Soldering and Mounting Techniques Reference Manual, SOLDERRM/D.

ON Semiconductor and  are registered trademarks of Semiconductor Components Industries, LLC (SCILLC). SCILLC owns the rights to a number of patents, trademarks, copyrights, trade secrets, and other intellectual property. A listing of SCILLC's product/patent coverage may be accessed at www.onsemi.com/site/pdf/Patent-Marking.pdf. SCILLC reserves the right to make changes without further notice to any products herein. SCILLC makes no warranty, representation or guarantee regarding the suitability of its products for any particular purpose, nor does SCILLC assume any liability arising out of the application or use of any product or circuit, and specifically disclaims any and all liability, including without limitation special, consequential or incidental damages. "Typical" parameters which may be provided in SCILLC data sheets and/or specifications can and do vary in different applications and actual performance may vary over time. All operating parameters, including "Typicals" must be validated for each customer application by customer's technical experts. SCILLC does not convey any license under its patent rights nor the rights of others. SCILLC products are not designed, intended, or authorized for use as components in systems intended for surgical implant into the body, or other applications intended to support or sustain life, or for any other application in which the failure of the SCILLC product could create a situation where personal injury or death may occur. Should Buyer purchase or use SCILLC products for any such unintended or unauthorized application, Buyer shall indemnify and hold SCILLC and its officers, employees, subsidiaries, affiliates, and distributors harmless against all claims, costs, damages, and expenses, and reasonable attorney fees arising out of, directly or indirectly, any claim of personal injury or death associated with such unintended or unauthorized use, even if such claim alleges that SCILLC was negligent regarding the design or manufacture of the part. SCILLC is an Equal Opportunity/Affirmative Action Employer. This literature is subject to all applicable copyright laws and is not for resale in any manner.

PUBLICATION ORDERING INFORMATION

LITERATURE FULFILLMENT:

Literature Distribution Center for ON Semiconductor
P.O. Box 5163, Denver, Colorado 80217 USA
Phone: 303-675-2175 or 800-344-3860 Toll Free USA/Canada
Fax: 303-675-2176 or 800-344-3867 Toll Free USA/Canada
Email: orderlit@onsemi.com

N. American Technical Support: 800-282-9855 Toll Free
USA/Canada
Europe, Middle East and Africa Technical Support:
Phone: 421 33 790 2910
Japan Customer Focus Center
Phone: 81-3-5817-1050

ON Semiconductor Website: www.onsemi.com
Order Literature: <http://www.onsemi.com/orderlit>
For additional information, please contact your local
Sales Representative

Компания «Life Electronics» занимается поставками электронных компонентов импортного и отечественного производства от производителей и со складов крупных дистрибьюторов Европы, Америки и Азии.

С конца 2013 года компания активно расширяет линейку поставок компонентов по направлению коаксиальный кабель, кварцевые генераторы и конденсаторы (керамические, пленочные, электролитические), за счёт заключения дистрибьюторских договоров

Мы предлагаем:

- Конкурентоспособные цены и скидки постоянным клиентам.
- Специальные условия для постоянных клиентов.
- Подбор аналогов.
- Поставку компонентов в любых объемах, удовлетворяющих вашим потребностям.
- Приемлемые сроки поставки, возможна ускоренная поставка.
- Доставку товара в любую точку России и стран СНГ.
- Комплексную поставку.
- Работу по проектам и поставку образцов.
- Формирование склада под заказчика.
- Сертификаты соответствия на поставляемую продукцию (по желанию клиента).
- Тестирование поставляемой продукции.
- Поставку компонентов, требующих военную и космическую приемку.
- Входной контроль качества.
- Наличие сертификата ISO.

В составе нашей компании организован Конструкторский отдел, призванный помогать разработчикам, и инженерам.

Конструкторский отдел помогает осуществить:

- Регистрацию проекта у производителя компонентов.
- Техническую поддержку проекта.
- Защиту от снятия компонента с производства.
- Оценку стоимости проекта по компонентам.
- Изготовление тестовой платы монтаж и пусконаладочные работы.



Тел: +7 (812) 336 43 04 (многоканальный)

Email: org@lifeelectronics.ru