

# USB Switch IC DPDT Type (Double Pole Double Throw)

**BD11670GWL**

## General Description

BD11670GWL is a DPDT analog switch that supports USB2.0 high-speed and has both a low resistance and a low capacitance.

It supports input of dual power supplies from VBUS and VCC. VBUS of up to 28V is supported.

All terminals have electrostatic discharge protection circuit built-in.

## Key Specifications

- Power Supply Range (VCC): 3.0V to 5.5V
- Power Supply Range (VBUS): 3.8V to 28V
- Switch ON Resistance: 5Ω(Typ)
- Operating Temperature Range: -40°C to +85°C

**Package(s)**  
WLCSP

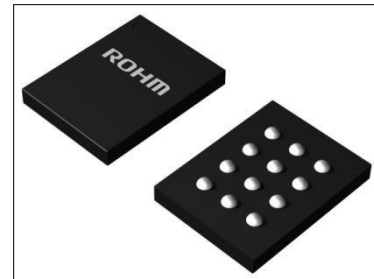
W(Typ) x D(Typ) x H(Max)  
1.20mm x 1.60mm x 0.57mm

## Features

- Dual Power-Supply Architecture, VCC and VBUS.
- Power Supply Range (VBUS) : 3.8V to 28V.
- Power Supply Range (VCC) : 3.0V to 5.5V.
- 5Ωswitches between the input and the output.
- Low Capacity 2ch Analog SW.

## Applications

Mobile phones, Tablet PC, Digital Still Cameras, Digital Video Camcorders, Potable Navigation Devices, TV, Portable DVD Players, Portable Game Systems, Personal Computers, PDA,



UCSP50L1C

## Typical Application Circuit

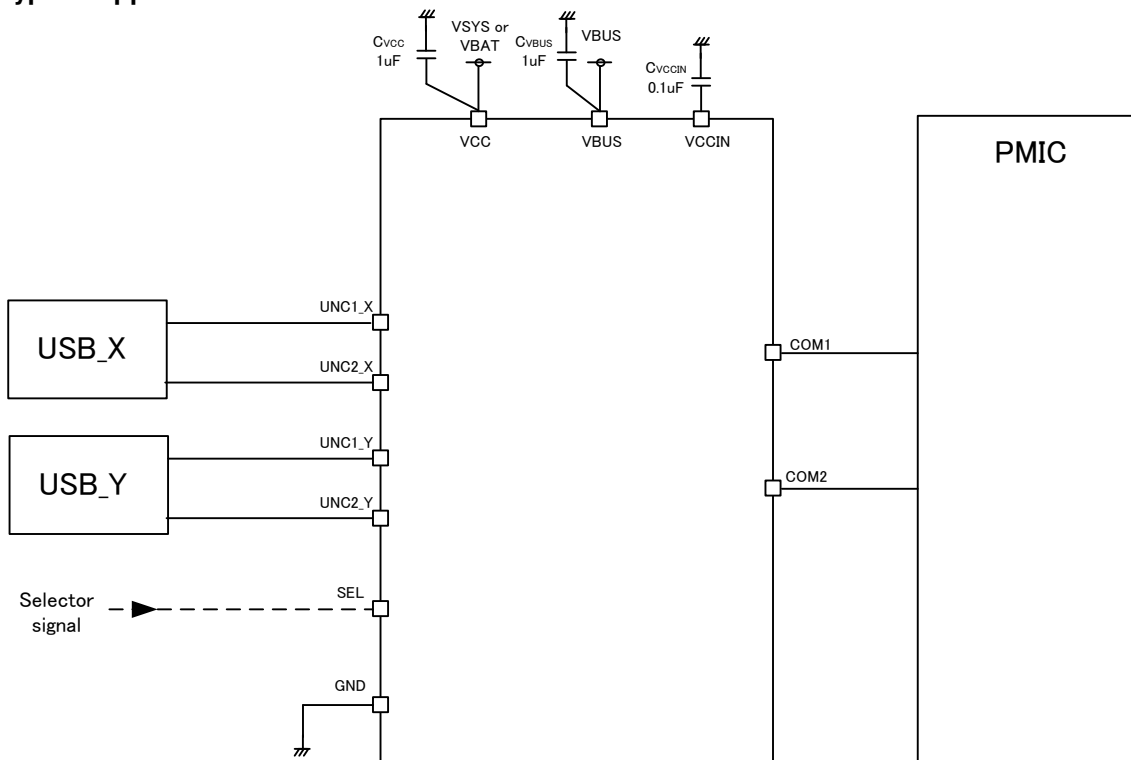


Figure 1. Application circuit

Pin Configuration

(Top View)

A	UNC2_Y	VBUS	SEL
B	UNC1_Y	-	COM2
C	UNC2_X	VCCIN	COM1
D	UNC1_X	GND	VCC
	1	2	3

(Bottom View)

D	UNC1_X	GND	VCC
C	UNC2_X	VCCIN	COM1
B	UNC1_Y	-	COM2
A	UNC2_Y	VBUS	SEL
	1	2	3

Pin Description

Ball No.	Ball Name	Function
A1	UNC2_Y	Analog Switch terminal.
A2	VBUS	USB VBUS power input terminal.
A3	SEL	Switch select input pin
B1	UNC1_Y	Analog Switch terminal.
B3	COM2	Analog Switch terminal.
C1	UNC2_X	Analog Switch terminal.
C2	VCCIN	Internal power supply.
C3	COM1	Analog Switch terminal.
D1	UNC1_X	Analog Switch terminal.
D2	GND	GND terminal.
D3	VCC	System power supply.

Block Diagram

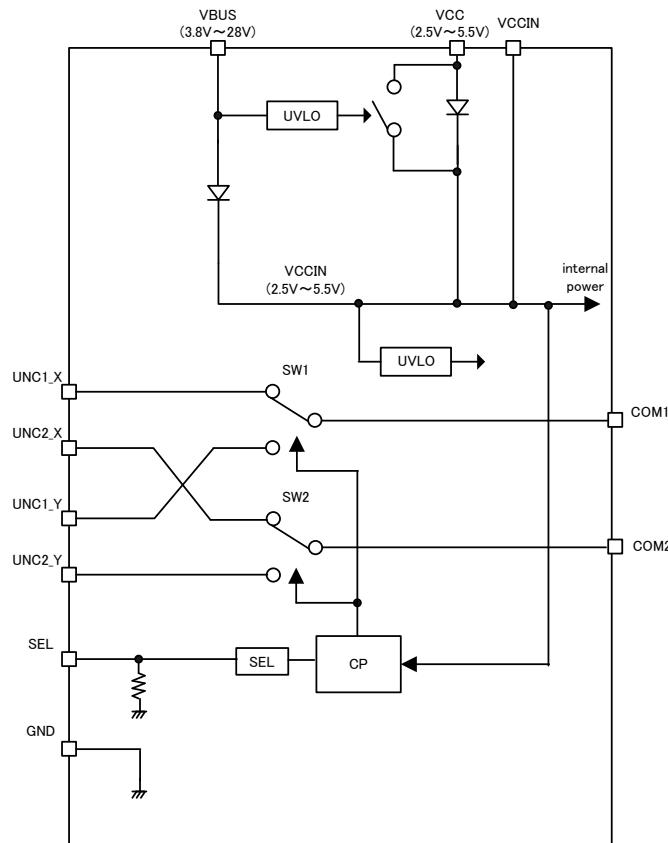


Figure 2. Block diagram

**Absolute Maximum Ratings(Ta = 25°C)**

Parameter	Symbol	Rating	Unit	Conditions
Input Supply Voltage	V <sub>max1</sub>	-0.3 to +30	V	VBUS, SEL pins
Input Supply Voltage	V <sub>max2</sub>	-0.5 to +7	V	COM1,COM2,UNC1_X, UNC1_Y,UNC2_X,UNC2_Y pins
Input Supply Voltage	V <sub>max3</sub>	-0.3 to +7	V	Other Pins
Power Dissipation	P <sub>d</sub>	0.512	W	
Operating Temperature Range	T <sub>opr</sub>	-40 to +85	°C	
Storage Temperature Range	T <sub>stg</sub>	-55 to +150	°C	
Maximum Junction Temperature	T <sub>jmax</sub>	150	°C	

(Note 1) Derating is done at 512mW/°C for operating above Ta ≥ 25°C (Mounted on 4-layer 70.0mm x 70.0mm x 1.6mm board)

**Caution:** Operating the IC over the absolute maximum ratings may damage the IC. The damage can either be a short circuit between pins or an open circuit between pins and the internal circuitry. Therefore, it is important to consider circuit protection measures, such as adding a fuse, in case the IC is operated over the absolute maximum ratings.

**Power Dissipation**

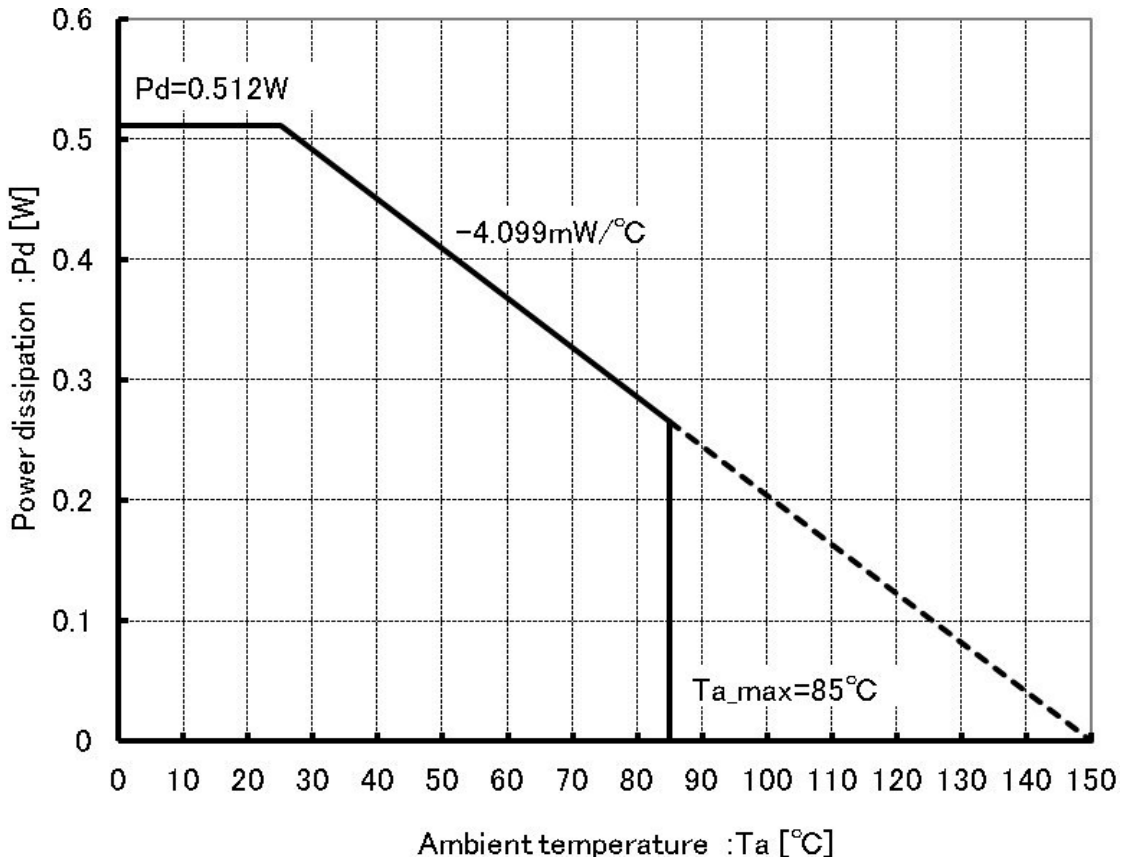


Figure 3. Power Dissipation

**Recommended Operating Conditions**(Ta= -40°C to +85°C)

Parameter	Symbol	Min	Typ	Max	Unit
Input Voltage Range (VCC)	V <sub>CC</sub>	3.0	3.6	5.5	V
Input Voltage Range (VBUS)	V <sub>BUS</sub>	3.8	5.0	28	V
Input Capacitance (VCC)	C <sub>VCC</sub>	1.0	-	-	μF
Input Capacitance (VBUS)	C <sub>VBUS</sub>	1.0	-	-	μF
VCCIN Capacitance	C <sub>VCCIN</sub>	0.01	0.1	1.0	μF

**Electrical Characteristics**(Unless otherwise specified V<sub>cc</sub>=3.6V V<sub>B</sub>=5.0V Ta=25°C)

Parameter	Symbol	Min	Typ	Max	Unit	Conditions
<b>Power Supply</b>						
VCC Supply Current	I <sub>SUPPLY_VCC</sub>	-	23	-	μA	V <sub>cc</sub> =3.6V, V <sub>bus</sub> =0V, SEL =0V
VBUS Supply Current	I <sub>SUPPLY_VB</sub>	-	26	-	μA	V <sub>cc</sub> =0V, V <sub>bus</sub> =5.0V, SEL =1.8V
<b>Analog Switch</b>						
On-Resistance(SW1,SW2)	R <sub>ON</sub>	-	5.0	-	Ω	V <sub>com</sub> =0V
SW1 On-Resistance Match Between Chennels	Δ R <sub>ON(SW1)</sub>	-	0.2	-	Ω	
SW2 On-Resistance Match Between Chennels	Δ R <sub>ON(SW2)</sub>	-	0.2	-	Ω	
Off Leak Current (COM1,COM2,UNC1_X,UNC1_Y, UNC2_X,UNC2_Y)	I <sub>Leak_off</sub>	-2	-	2	μA	SW1,SW2=OFF
On Leak Current (COM1,COM2,UNC1_X,UNC1_Y, UNC2_X,UNC2_Y)	I <sub>Leak_on</sub>	-2	-	2	μA	SW1,SW2=ON
Turn-On Time(UNC_X to COM)	t <sub>on1</sub>	-	4	-	μs	V <sub>cc</sub> =3.6V, SEL=1.8V to 0V, RL=50Ω
Turn-On Time(UNC_Y to COM)	t <sub>on2</sub>	-	4	-	μs	V <sub>cc</sub> =3.6V, SEL=0V to 1.8V, RL=50Ω
Turn-Off Time(UNC_X from COM)	t <sub>off1</sub>	-	0.5	-	μs	V <sub>cc</sub> =3.6V, SEL=0V to 1.8V, RL=50Ω
Turn-Off Time(UNC_Y from COM)	t <sub>off2</sub>	-	0.5	-	μs	V <sub>cc</sub> =3.6V, SEL=1.8V to 0V, RL=50Ω
Break-Before-Make Time Delay	t <sub>D</sub>	-	3.5	-	μs	RL=50Ω
Switch Off Capacitance(SW1,SW2)	C <sub>off</sub>	-	4.0	-	pF	
Switch On Capacitance(SW1,SW2)	C <sub>on</sub>	-	6.0	-	pF	
<b>Logic Input</b>						
SEL Pin Input Logic-High	V <sub>IH</sub>	1.62	-	-	V	
SEL Pin Input Logic-Low	V <sub>IL</sub>	-	-	0.4	V	
SEL Pin Pull Down Resistance	R <sub>SEL</sub>	-	5	-	MΩ	SEL=5V

**Truth Table**

Input			SW1	SW2
VCC	VBUS	SEL		
OFF	OFF	Low	OFF	OFF
OFF	OFF	High	OFF	OFF
OFF	3.8V to 28V	Low	COM1-UNC1_X	COM2-UNC2_X
OFF	3.8V to 28V	High	COM1-UNC1_Y	COM2-UNC2_Y
3.0V to 5.5V	OFF	Low	COM1-UNC1_X	COM2-UNC2_X
3.0V to 5.5V	OFF	High	COM1-UNC1_Y	COM2-UNC2_Y
3.0V to 5.5V	3.8V to 28V	Low	COM1-UNC1_X	COM2-UNC2_X
3.0V to 5.5V	3.8V to 28V	High	COM1-UNC1_Y	COM2-UNC2_Y

**Typical Performance Curves** (Unless otherwise specified,  $T_a=25^\circ\text{C}$ ,  $V_{CC}=5\text{V}$ )

(Equipment used to plot eye pattern: Tektronix DPO7254 Oscilloscope, Tektronix TDSUBF USB Test Fixture)

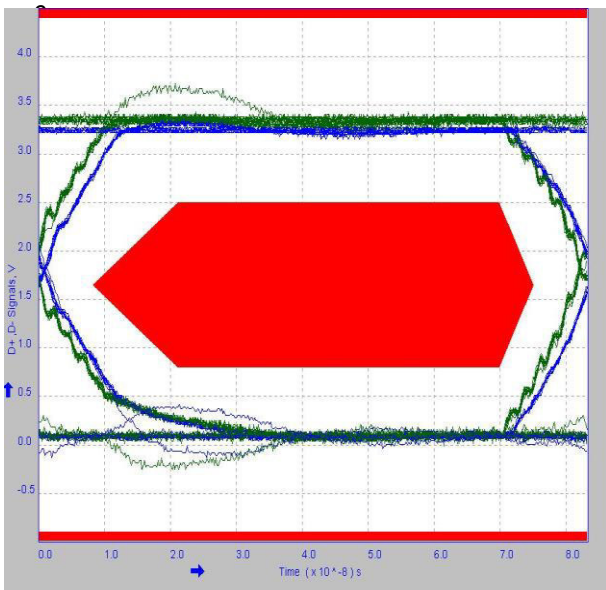


Figure 4. Eye Pattern at Full Speed

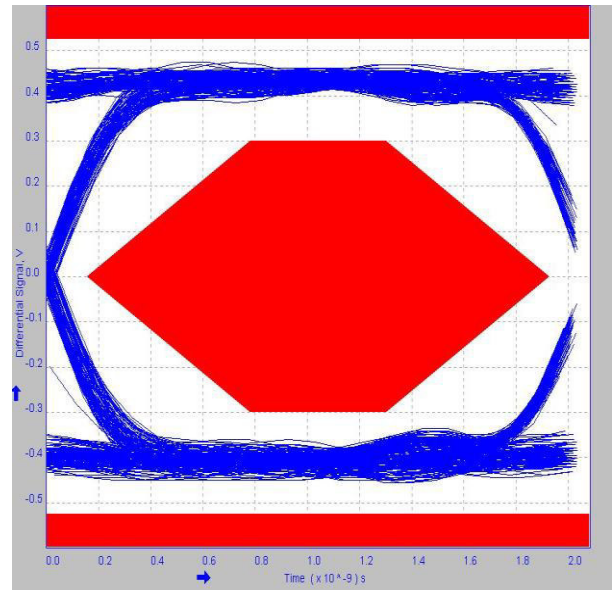


Figure 5. Eye Pattern at High Speed

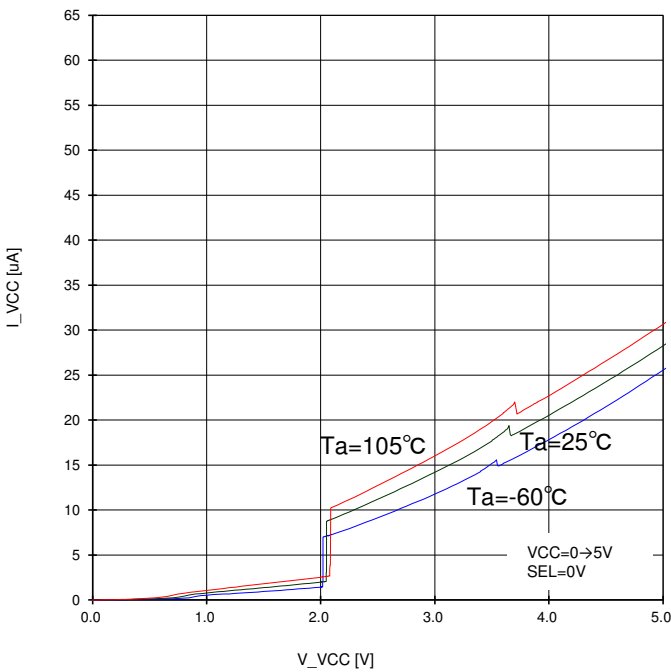


Figure 6. ICC vs Input Voltage(VCC)

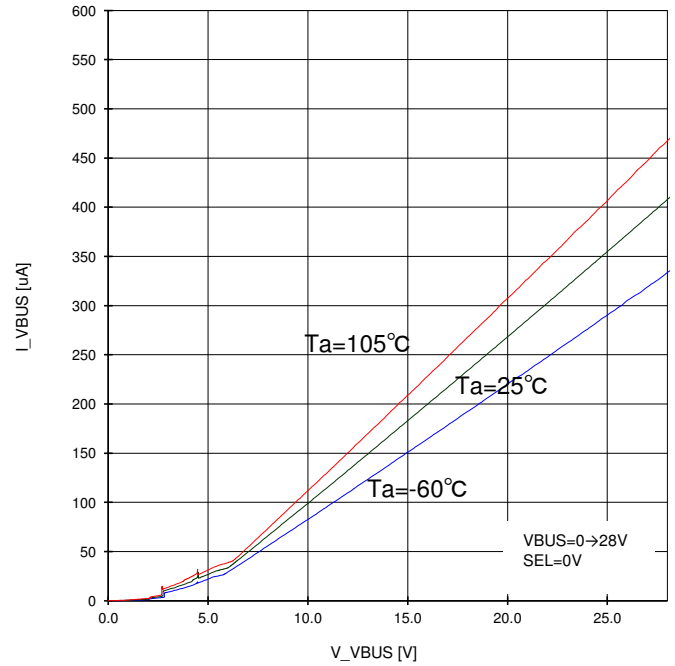


Figure 7. ICC vs Input Voltage(VBUS)

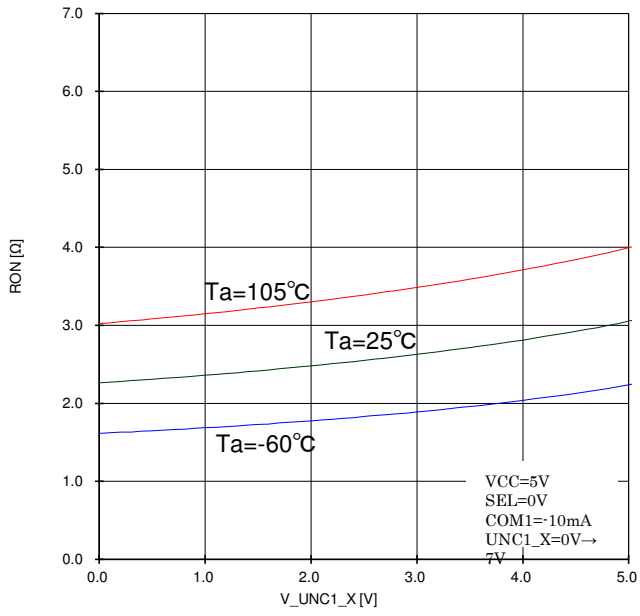


Figure 8. Ron vs Voltage

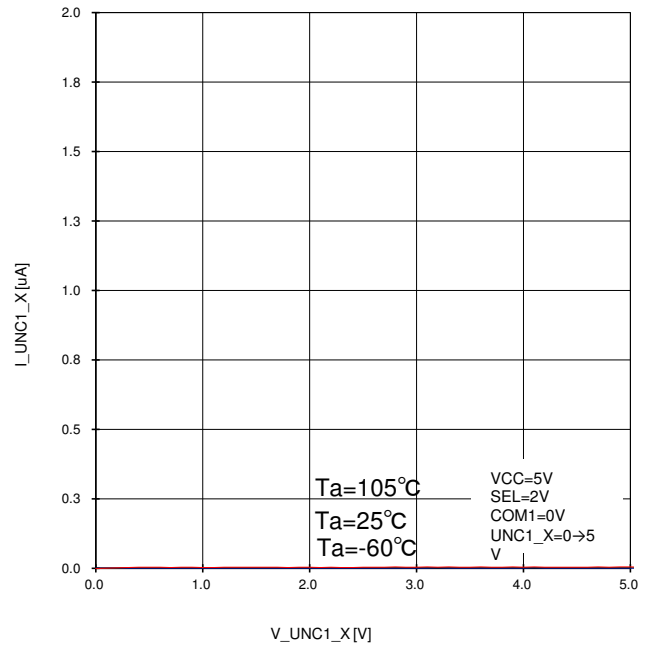


Figure 9. Leak Current vs Input Voltage

Timing Chart

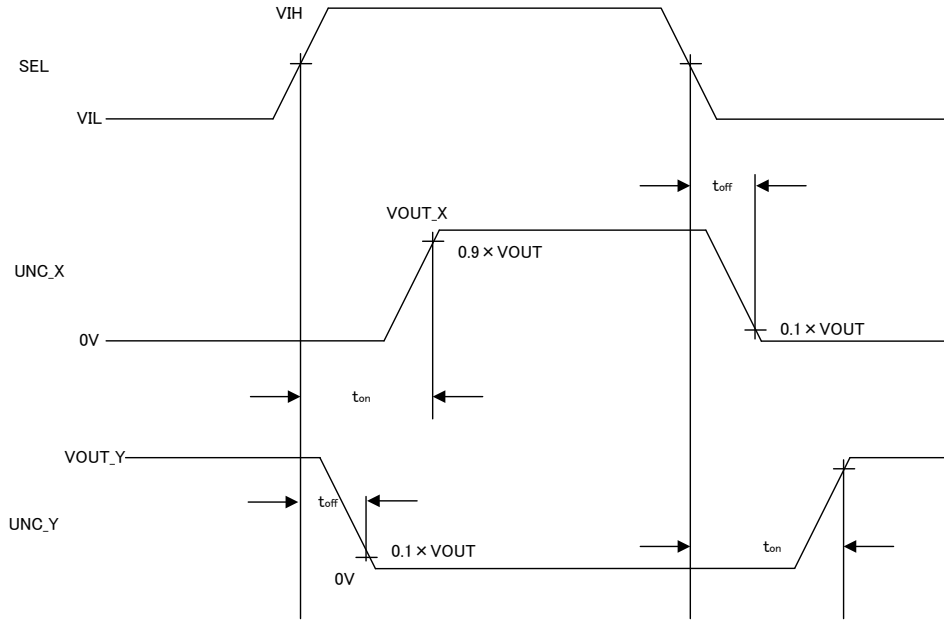


Figure 10. Switching Time

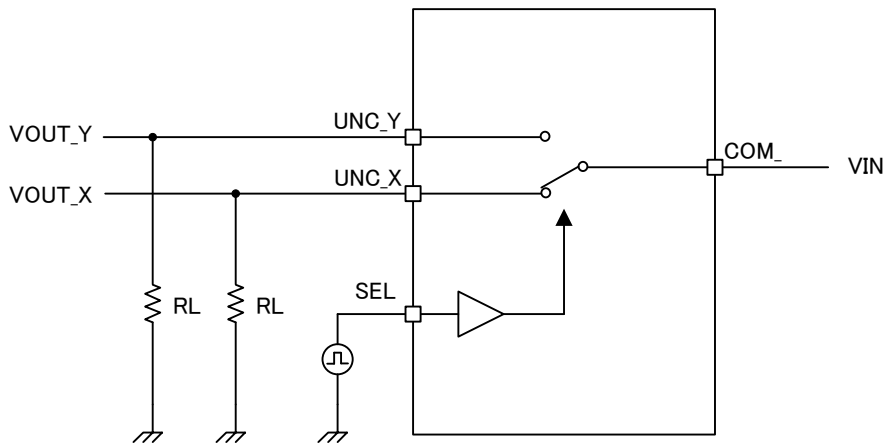
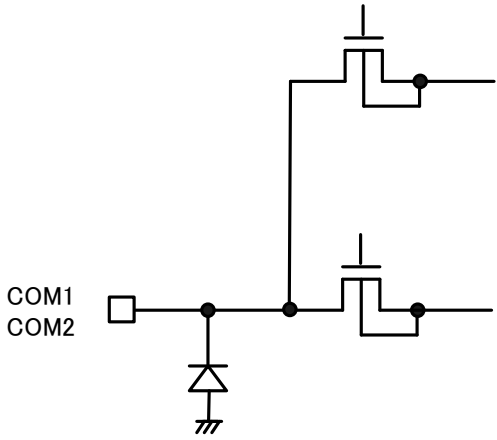
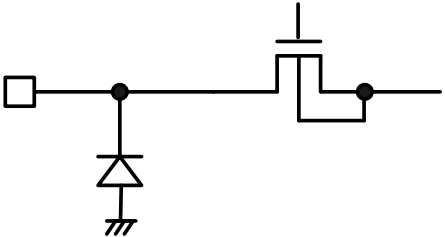
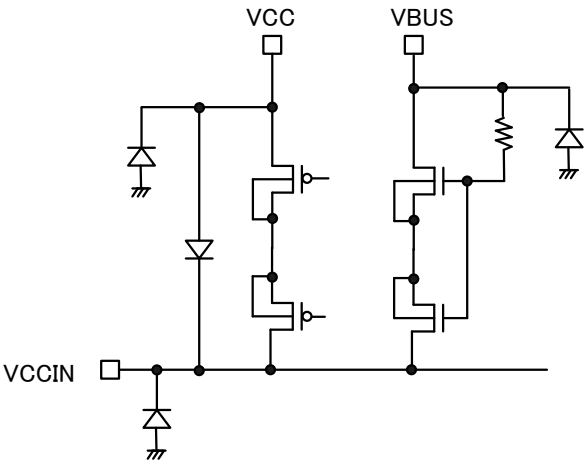
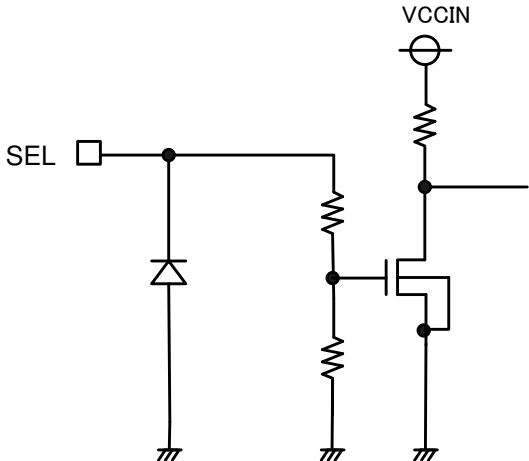


Figure 11. Application circuit

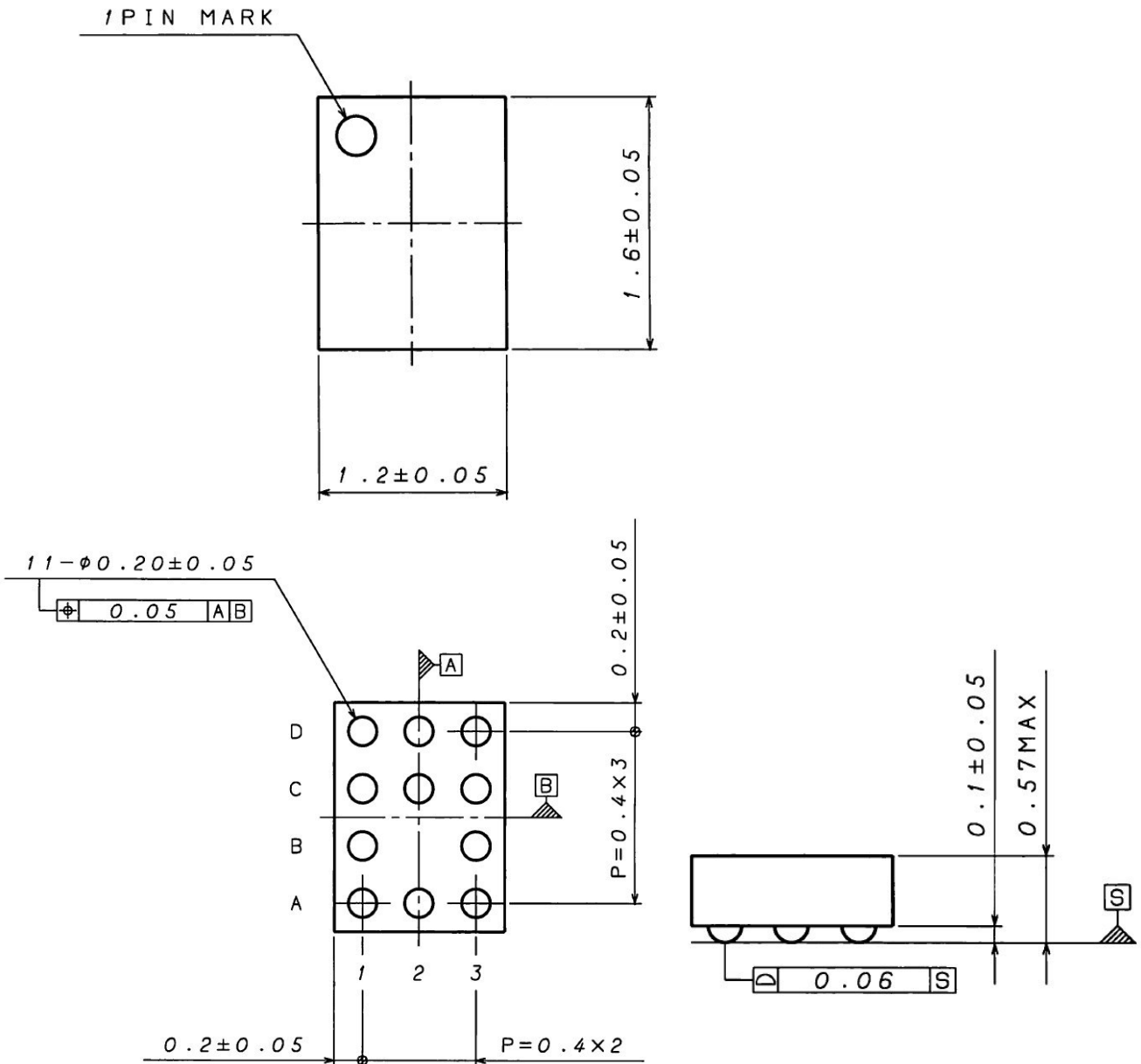
I/O equivalence circuit(s)

COM1,COM2	UNC1_X,UNC1_Y,UNC2_X,UNC2_Y
 <p>COM1 COM2</p>	 <p>UNC1_X UNC2_X UNC1_Y UNC2_Y</p>
VCC, VBUS, VCCIN	
 <p>VCC VBUS VCCIN</p>	
SEL	
 <p>SEL VCCIN</p>	



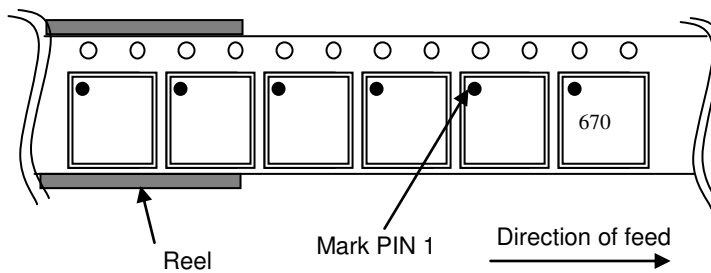
Physical Dimension Tape and Reel Information

Package Name	UCSP50L1C
--------------	-----------

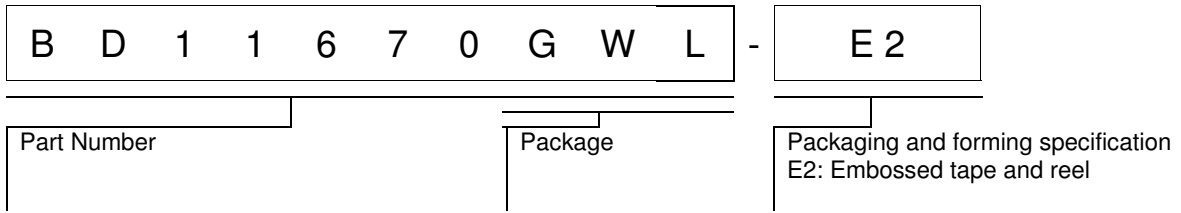


< Tape and Reel Information >

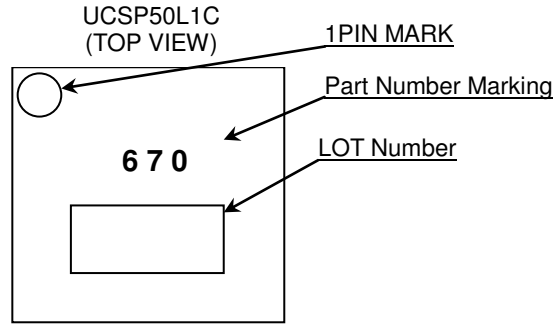
Tape	Embossed carrier tape
Quantity	3000pcs
Direction of feed	E2 The direction is the pin 1 of product is at the upper left when you hold reel on the left hand and you pull out the tape on the right hand



Ordering Information



**Marking Diagrams**



## Operational Notes

### 1. Reverse Connection of Power Supply

Connecting the power supply in reverse polarity can damage the IC. Take precautions against reverse polarity when connecting the power supply, such as mounting an external diode between the power supply and the IC's power supply pins.

### 2. Power Supply Lines

Design the PCB layout pattern to provide low impedance supply lines. Separate the ground and supply lines of the digital and analog blocks to prevent noise in the ground and supply lines of the digital block from affecting the analog block. Furthermore, connect a capacitor to ground at all power supply pins. Consider the effect of temperature and aging on the capacitance value when using electrolytic capacitors.

### 3. Ground Voltage

Ensure that no pins are at a voltage below that of the ground pin at any time, even during transient condition.

### 4. Ground Wiring Pattern

When using both small-signal and large-current ground traces, the two ground traces should be routed separately but connected to a single ground at the reference point of the application board to avoid fluctuations in the small-signal ground caused by large currents. Also ensure that the ground traces of external components do not cause variations on the ground voltage. The ground lines must be as short and thick as possible to reduce line impedance.

### 5. Thermal Consideration

Should by any chance the power dissipation rating be exceeded the rise in temperature of the chip may result in deterioration of the properties of the chip. The absolute maximum rating of the Pd stated in this specification is when the IC is mounted on a 70mm x 70mm x 1.6mm glass epoxy board. In case of exceeding this absolute maximum rating, increase the board size and copper area to prevent exceeding the Pd rating.

### 6. Recommended Operating Conditions

These conditions represent a range within which the expected characteristics of the IC can be approximately obtained. The electrical characteristics are guaranteed under the conditions of each parameter.

### 7. Inrush Current

When power is first supplied to the IC, it is possible that the internal logic may be unstable and inrush current may flow instantaneously due to the internal powering sequence and delays, especially if the IC has more than one power supply. Therefore, give special consideration to power coupling capacitance, power wiring, width of ground wiring, and routing of connections.

### 8. Operation Under Strong Electromagnetic Field

Operating the IC in the presence of a strong electromagnetic field may cause the IC to malfunction.

### 9. Testing on Application Boards

When testing the IC on an application board, connecting a capacitor directly to a low-impedance output pin may subject the IC to stress. Always discharge capacitors completely after each process or step. The IC's power supply should always be turned off completely before connecting or removing it from the test setup during the inspection process. To prevent damage from static discharge, ground the IC during assembly and use similar precautions during transport and storage.

### 10. Inter-pin Short and Mounting Errors

Ensure that the direction and position are correct when mounting the IC on the PCB. Incorrect mounting may result in damaging the IC. Avoid nearby pins being shorted to each other especially to ground, power supply and output pin. Inter-pin shorts could be due to many reasons such as metal particles, water droplets (in very humid environment) and unintentional solder bridge deposited in between pins during assembly to name a few.

## Operational Notes – continued

**11. Unused Input Pins**

Input pins of an IC are often connected to the gate of a MOS transistor. The gate has extremely high impedance and extremely low capacitance. If left unconnected, the electric field from the outside can easily charge it. The small charge acquired in this way is enough to produce a significant effect on the conduction through the transistor and cause unexpected operation of the IC. So unless otherwise specified, unused input pins should be connected to the power supply or ground line.

**12. Regarding the Input Pin of the IC**

This monolithic IC contains P+ isolation and P substrate layers between adjacent elements in order to keep them isolated. P-N junctions are formed at the intersection of the P layers with the N layers of other elements, creating a parasitic diode or transistor. For example (refer to figure below):

When  $GND > Pin A$  and  $GND > Pin B$ , the P-N junction operates as a parasitic diode.  
When  $GND > Pin B$ , the P-N junction operates as a parasitic transistor.

Parasitic diodes inevitably occur in the structure of the IC. The operation of parasitic diodes can result in mutual interference among circuits, operational faults, or physical damage. Therefore, conditions that cause these diodes to operate, such as applying a voltage lower than the GND voltage to an input pin (and thus to the P substrate) should be avoided.

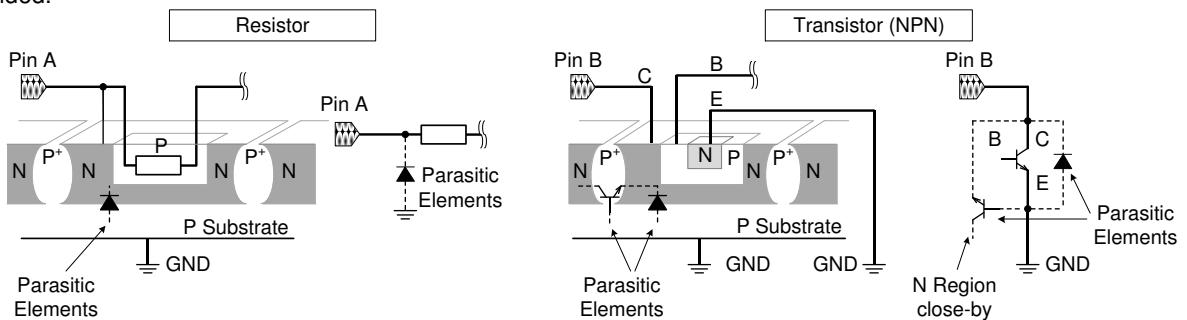


Figure xx. Example of monolithic IC structure

**13. Ceramic Capacitor**

When using a ceramic capacitor, determine the dielectric constant considering the change of capacitance with temperature and the decrease in nominal capacitance due to DC bias and others.

**14. Area of Safe Operation (ASO)**

Operate the IC such that the output voltage, output current, and power dissipation are all within the Area of Safe Operation (ASO).

**15. Thermal Shutdown Circuit(TSD)**

This IC has a built-in thermal shutdown circuit that prevents heat damage to the IC. Normal operation should always be within the IC's power dissipation rating. If however the rating is exceeded for a continued period, the junction temperature ( $T_j$ ) will rise which will activate the TSD circuit that will turn OFF all output pins. When the  $T_j$  falls below the TSD threshold, the circuits are automatically restored to normal operation.

Note that the TSD circuit operates in a situation that exceeds the absolute maximum ratings and therefore, under no circumstances, should the TSD circuit be used in a set design or for any purpose other than protecting the IC from heat damage.

**16. Over Current Protection Circuit (OCP)**

This IC incorporates an integrated overcurrent protection circuit that is activated when the load is shorted. This protection circuit is effective in preventing damage due to sudden and unexpected incidents. However, the IC should not be used in applications characterized by continuous operation or transitioning of the protection circuit.

**17. Disturbance light**

In a device where a portion of silicon is exposed to light such as in a WL-CSP, IC characteristics may be affected due to photoelectric effect. For this reason, it is recommended to come up with countermeasures that will prevent the chip from being exposed to light.

# Notice

## Precaution on using ROHM Products

- Our Products are designed and manufactured for application in ordinary electronic equipments (such as AV equipment, OA equipment, telecommunication equipment, home electronic appliances, amusement equipment, etc.). If you intend to use our Products in devices requiring extremely high reliability (such as medical equipment <sup>(Note 1)</sup>, transport equipment, traffic equipment, aircraft/spacecraft, nuclear power controllers, fuel controllers, car equipment including car accessories, safety devices, etc.) and whose malfunction or failure may cause loss of human life, bodily injury or serious damage to property ("Specific Applications"), please consult with the ROHM sales representative in advance. Unless otherwise agreed in writing by ROHM in advance, ROHM shall not be in any way responsible or liable for any damages, expenses or losses incurred by you or third parties arising from the use of any ROHM's Products for Specific Applications.

(Note1) Medical Equipment Classification of the Specific Applications

JAPAN	USA	EU	CHINA
CLASS III	CLASS III	CLASS II b	CLASS III
CLASS IV		CLASS III	

- ROHM designs and manufactures its Products subject to strict quality control system. However, semiconductor products can fail or malfunction at a certain rate. Please be sure to implement, at your own responsibilities, adequate safety measures including but not limited to fail-safe design against the physical injury, damage to any property, which a failure or malfunction of our Products may cause. The following are examples of safety measures:
  - Installation of protection circuits or other protective devices to improve system safety
  - Installation of redundant circuits to reduce the impact of single or multiple circuit failure
- Our Products are designed and manufactured for use under standard conditions and not under any special or extraordinary environments or conditions, as exemplified below. Accordingly, ROHM shall not be in any way responsible or liable for any damages, expenses or losses arising from the use of any ROHM's Products under any special or extraordinary environments or conditions. If you intend to use our Products under any special or extraordinary environments or conditions (as exemplified below), your independent verification and confirmation of product performance, reliability, etc. prior to use, must be necessary:
  - Use of our Products in any types of liquid, including water, oils, chemicals, and organic solvents
  - Use of our Products outdoors or in places where the Products are exposed to direct sunlight or dust
  - Use of our Products in places where the Products are exposed to sea wind or corrosive gases, including Cl<sub>2</sub>, H<sub>2</sub>S, NH<sub>3</sub>, SO<sub>2</sub>, and NO<sub>2</sub>
  - Use of our Products in places where the Products are exposed to static electricity or electromagnetic waves
  - Use of our Products in proximity to heat-producing components, plastic cords, or other flammable items
  - Sealing or coating our Products with resin or other coating materials
  - Use of our Products without cleaning residue of flux (even if you use no-clean type fluxes, cleaning residue of flux is recommended); or Washing our Products by using water or water-soluble cleaning agents for cleaning residue after soldering
  - Use of the Products in places subject to dew condensation
- The Products are not subject to radiation-proof design.
- Please verify and confirm characteristics of the final or mounted products in using the Products.
- In particular, if a transient load (a large amount of load applied in a short period of time, such as pulse. is applied, confirmation of performance characteristics after on-board mounting is strongly recommended. Avoid applying power exceeding normal rated power; exceeding the power rating under steady-state loading condition may negatively affect product performance and reliability.
- De-rate Power Dissipation depending on ambient temperature. When used in sealed area, confirm that it is the use in the range that does not exceed the maximum junction temperature.
- Confirm that operation temperature is within the specified range described in the product specification.
- ROHM shall not be in any way responsible or liable for failure induced under deviant condition from what is defined in this document.

## Precaution for Mounting / Circuit board design

- When a highly active halogenous (chlorine, bromine, etc.) flux is used, the residue of flux may negatively affect product performance and reliability.
- In principle, the reflow soldering method must be used on a surface-mount products, the flow soldering method must be used on a through hole mount products. If the flow soldering method is preferred on a surface-mount products, please consult with the ROHM representative in advance.

For details, please refer to ROHM Mounting specification

### Precautions Regarding Application Examples and External Circuits

1. If change is made to the constant of an external circuit, please allow a sufficient margin considering variations of the characteristics of the Products and external components, including transient characteristics, as well as static characteristics.
2. You agree that application notes, reference designs, and associated data and information contained in this document are presented only as guidance for Products use. Therefore, in case you use such information, you are solely responsible for it and you must exercise your own independent verification and judgment in the use of such information contained in this document. ROHM shall not be in any way responsible or liable for any damages, expenses or losses incurred by you or third parties arising from the use of such information.

### Precaution for Electrostatic

This Product is electrostatic sensitive product, which may be damaged due to electrostatic discharge. Please take proper caution in your manufacturing process and storage so that voltage exceeding the Products maximum rating will not be applied to Products. Please take special care under dry condition (e.g. Grounding of human body / equipment / solder iron, isolation from charged objects, setting of Ionizer, friction prevention and temperature / humidity control).

### Precaution for Storage / Transportation

1. Product performance and soldered connections may deteriorate if the Products are stored in the places where:
  - [a] the Products are exposed to sea winds or corrosive gases, including Cl<sub>2</sub>, H<sub>2</sub>S, NH<sub>3</sub>, SO<sub>2</sub>, and NO<sub>2</sub>
  - [b] the temperature or humidity exceeds those recommended by ROHM
  - [c] the Products are exposed to direct sunshine or condensation
  - [d] the Products are exposed to high Electrostatic
2. Even under ROHM recommended storage condition, solderability of products out of recommended storage time period may be degraded. It is strongly recommended to confirm solderability before using Products of which storage time is exceeding the recommended storage time period.
3. Store / transport cartons in the correct direction, which is indicated on a carton with a symbol. Otherwise bent leads may occur due to excessive stress applied when dropping of a carton.
4. Use Products within the specified time after opening a humidity barrier bag. Baking is required before using Products of which storage time is exceeding the recommended storage time period.

### Precaution for Product Label

A two-dimensional barcode printed on ROHM Products label is for ROHM's internal use only.

### Precaution for Disposition

When disposing Products please dispose them properly using an authorized industry waste company.

### Precaution for Foreign Exchange and Foreign Trade act

Since concerned goods might be fallen under listed items of export control prescribed by Foreign exchange and Foreign trade act, please consult with ROHM in case of export.

### Precaution Regarding Intellectual Property Rights

1. All information and data including but not limited to application example contained in this document is for reference only. ROHM does not warrant that foregoing information or data will not infringe any intellectual property rights or any other rights of any third party regarding such information or data.
2. ROHM shall not have any obligations where the claims, actions or demands arising from the combination of the Products with other articles such as components, circuits, systems or external equipment (including software).
3. No license, expressly or implied, is granted hereby under any intellectual property rights or other rights of ROHM or any third parties with respect to the Products or the information contained in this document. Provided, however, that ROHM will not assert its intellectual property rights or other rights against you or your customers to the extent necessary to manufacture or sell products containing the Products, subject to the terms and conditions herein.

### Other Precaution

1. This document may not be reprinted or reproduced, in whole or in part, without prior written consent of ROHM.
2. The Products may not be disassembled, converted, modified, reproduced or otherwise changed without prior written consent of ROHM.
3. In no event shall you use in any way whatsoever the Products and the related technical information contained in the Products or this document for any military purposes, including but not limited to, the development of mass-destruction weapons.
4. The proper names of companies or products described in this document are trademarks or registered trademarks of ROHM, its affiliated companies or third parties.

**General Precaution**

1. Before you use our Products, you are requested to carefully read this document and fully understand its contents. ROHM shall not be in any way responsible or liable for failure, malfunction or accident arising from the use of any ROHM's Products against warning, caution or note contained in this document.
2. All information contained in this document is current as of the issuing date and subject to change without any prior notice. Before purchasing or using ROHM's Products, please confirm the latest information with a ROHM sales representative.
3. The information contained in this document is provided on an "as is" basis and ROHM does not warrant that all information contained in this document is accurate and/or error-free. ROHM shall not be in any way responsible or liable for any damages, expenses or losses incurred by you or third parties resulting from inaccuracy or errors of or concerning such information.

# Mouser Electronics

Authorized Distributor

Click to View Pricing, Inventory, Delivery & Lifecycle Information:

[ROHM Semiconductor:](#)

[BD11670GWL-E2](#)



Компания «Life Electronics» занимается поставками электронных компонентов импортного и отечественного производства от производителей и со складов крупных дистрибьюторов Европы, Америки и Азии.

С конца 2013 года компания активно расширяет линейку поставок компонентов по направлению коаксиальный кабель, кварцевые генераторы и конденсаторы (керамические, пленочные, электролитические), за счёт заключения дистрибьюторских договоров

Мы предлагаем:

- Конкурентоспособные цены и скидки постоянным клиентам.
- Специальные условия для постоянных клиентов.
- Подбор аналогов.
- Поставку компонентов в любых объемах, удовлетворяющих вашим потребностям.
- Приемлемые сроки поставки, возможна ускоренная поставка.
- Доставку товара в любую точку России и стран СНГ.
- Комплексную поставку.
- Работу по проектам и поставку образцов.
- Формирование склада под заказчика.
- Сертификаты соответствия на поставляемую продукцию (по желанию клиента).
- Тестирование поставляемой продукции.
- Поставку компонентов, требующих военную и космическую приемку.
- Входной контроль качества.
- Наличие сертификата ISO.

В составе нашей компании организован Конструкторский отдел, призванный помогать разработчикам, и инженерам.

Конструкторский отдел помогает осуществить:

- Регистрацию проекта у производителя компонентов.
- Техническую поддержку проекта.
- Защиту от снятия компонента с производства.
- Оценку стоимости проекта по компонентам.
- Изготовление тестовой платы монтаж и пусконаладочные работы.



Тел: +7 (812) 336 43 04 (многоканальный)

Email: [org@lifeelectronics.ru](mailto:org@lifeelectronics.ru)