

**Description**

- Surface mount magnetics that can be used as single or coupled inductors or 1:1 transformers that provide isolation between two windings
- OCTA-PAC's are designed around high frequency, low loss core material
- ECONO-PAC's are a lower cost version of OCTA-PAC's offering high saturation flux density, Powder Iron core material
- OCTA-PAC PLUS's offer higher current ratings and higher saturation flux densities than OCTA-PAC and ECONO-PAC, Amorphous metal core material
- Secure 4 Terminal Mounting
- Inductor more versatile inductance combination by series or parallel connections



**Applications**

- Computer and portable power devices
- LCD panels, DVD players
- Inductor: DC-DC converters
- Buck, boost, forward, and resonant converters
- Noise filtering and filter chokes
- Transformers: 1:1 300Vdc isolation, flyback, sepic

**Environmental Data**

- Storage temperature range: -40°C to +125°C
- Operating ambient temperature range: -40°C to +85°C (range is application specific).
- Solder reflow temperature: +260°C max. for 10 seconds max.

**Packaging**

- Supplied in tape and reel packaging, 1100 (EP01, OPA1, and OP01), 800 (EP02, OP02, OPA2, EP03, OPA3, and OP03), and 600 (EP04, OPA4, and OP04) per reel

**Legend**

**Marking**

- CTX\_\_\_-\_\_ (First three digits CTX; Second 2-3 digits = Inductance Value; Last 1-2 digits, product size & type)

**Product Size/Type**

- CTX\_\_\_-1 (-1 = size; no suffix = OCTA-PAC®)
- CTX\_\_\_-1P (-1 = size; P suffix = ECONO-PAC™)
- CTX\_\_\_-1A (-1 = size; A suffix = OCTA-PAC® PLUS)

| Part Number  | PARALLEL                                     |   |                       |                         | SERIES                                       |   |                       |                         |
|--------------|--|---|-----------------------|-------------------------|--|---|-----------------------|-------------------------|
|              | Open Circuit Inductance $\mu\text{H}$ +/-20% | Full Load Inductance $\mu\text{H}$ min. | Full Load Current Adc | DC Resistance ohms max. | Open Circuit Inductance $\mu\text{H}$ +/-20% | Full Load Inductance $\mu\text{H}$ min. | Full Load Current Adc | DC Resistance ohms max. |
| CTX0.47-1P-R | .42  | .31                                     | 5.50                  | .005                    | 1.67   | 1.25                                    | 2.75                  | .021                    |
| CTX0.68-1P-R | .60  | .43                                     | 5.10                  | .006                    | 2.40   | 1.74                                    | 2.55                  | .025                    |
| CTX1-1P-R    | 1.07   | .73                                     | 4.50                  | .008                    | 4.28   | 2.92                                    | 2.25                  | .032                    |
| CTX2-1P-R    | 2.02   | 1.36                                    | 3.40                  | .013                    | 8.08   | 5.44                                    | 1.70                  | .054                    |
| CTX5-1P-R    | 4.83   | 3.37                                    | 2.00                  | .040                    | 19.31  | 13.47                                   | 1.00                  | .161                    |
| CTX8-1P-R    | 8.08   | 5.31                                    | 1.80                  | .052                    | 32.33  | 21.23                                   | .90                   | .207                    |
| CTX10-1P-R   | 9.62   | 6.23                                    | 1.70                  | .057                    | 38.48  | 24.94                                   | .85                   | .227                    |
| CTX15-1P-R   | 15.03  | 9.62                                    | 1.40                  | .087                    | 60.12  | 38.47                                   | .70                   | .348                    |
| CTX20-1P-R   | 20.46  | 14.12                                   | 1.00                  | .158                    | 81.83  | 56.47                                   | .50                   | .634                    |
| CTX25-1P-R   | 25.40  | 17.07                                   | .96                   | .177                    | 101.60                                       | 68.29                                   | .48                   | .708                    |
| CTX33-1P-R   | 32.33  | 22.27                                   | .80                   | .250                    | 129.32                                       | 89.06                                   | .40                   | 1.001                   |
| CTX50-1P-R   | 50.52  | 33.57                                   | .70                   | .316                    | 202.07                                       | 134.27                                  | .35                   | 1.263                   |
| CTX68-1P-R   | 68.40  | 43.65                                   | .66                   | .373                    | 273.61                                       | 174.61                                  | .33                   | 1.490                   |
| CTX100-1P-R  | 99.01  | 63.64                                   | .54                   | .557                    | 396.06                                       | 254.55                                  | .27                   | 2.227                   |
| CTX150-1P-R  | 150.72                                       | 96.64                                   | .44                   | .844                    | 602.87                                       | 386.56                                  | .22                   | 3.376                   |
| CTX200-1P-R  | 198.41                                       | 130.79                                  | .36                   | 1.208                   | 793.65                                       | 523.16                                  | .18                   | 4.831                   |
| CTX300-1P-R  | 299.87                                       | 190.05                                  | .32                   | 1.525                   | 1199.46                                      | 760.19                                  | .16                   | 6.100                   |
| CTX0.47-2P-R | .54  | .42                                     | 5.90                  | .006                    | 2.18   | 1.69                                    | 2.95                  | .024                    |
| CTX0.68-2P-R | .85  | .64                                     | 5.40                  | .007                    | 3.40   | 2.55                                    | 2.70                  | .029                    |
| CTX1-2P-R    | 1.22   | .89                                     | 5.00                  | .008                    | 4.90   | 3.57                                    | 2.50                  | .033                    |
| CTX2-2P-R    | 2.18   | 1.56                                    | 3.90                  | .014                    | 8.70   | 6.26                                    | 1.95                  | .055                    |
| CTX5-2P-R    | 4.90   | 3.57                                    | 2.50                  | .032                    | 19.58  | 14.26                                   | 1.25                  | .128                    |
| CTX8-2P-R    | 7.65   | 5.31                                    | 2.30                  | .040                    | 30.60  | 21.23                                   | 1.15                  | .158                    |
| CTX10-2P-R   | 9.83   | 6.73                                    | 2.10                  | .045                    | 39.30  | 26.92                                   | 1.05                  | .179                    |
| CTX15-2P-R   | 14.99  | 10.51                                   | 1.60                  | .085                    | 59.98  | 42.02                                   | .80                   | .339                    |
| CTX20-2P-R   | 19.58  | 13.37                                   | 1.50                  | .097                    | 78.34  | 53.48                                   | .75                   | .387                    |
| CTX25-2P-R   | 24.79  | 16.60                                   | 1.40                  | .109                    | 99.14  | 66.38                                   | .70                   | .436                    |
| CTX33-2P-R   | 32.67  | 21.29                                   | 1.30                  | .126                    | 130.70                                       | 85.17                                   | .65                   | .503                    |
| CTX50-2P-R   | 49.10  | 35.31                                   | .82                   | .305                    | 196.38                                       | 141.24                                  | .41                   | 1.221                   |
| CTX68-2P-R   | 68.85  | 47.93                                   | .76                   | .362                    | 275.40                                       | 191.71                                  | .38                   | 1.445                   |
| CTX100-2P-R  | 99.14  | 69.56                                   | .62                   | .541                    | 396.58                                       | 278.22                                  | .31                   | 2.162                   |
| CTX150-2P-R  | 148.10                                       | 100.07                                  | .56                   | .665                    | 592.42                                       | 400.27                                  | .28                   | 2.660                   |
| CTX200-2P-R  | 201.59                                       | 138.49                                  | .46                   | .951                    | 806.34                                       | 553.97                                  | .23                   | 3.804                   |
| CTX300-2P-R  | 300.42                                       | 197.52                                  | .42                   | 1.176                   | 1201.70                                      | 790.08                                  | .21                   | 4.703                   |

| Part Number  | PARALLEL   |   |                                 |                         | SERIES   |   |                                 |                         |
|--------------|--|---|---------------------------------|-------------------------|--|---|---------------------------------|-------------------------|
|              | Open Circuit Inductance $\mu\text{H}$ $\pm 20\%$ | Full Load Inductance $\mu\text{H}$ min. | Full Load Current $\text{A dc}$ | DC Resistance ohms max. | Open Circuit Inductance $\mu\text{H}$ $\pm 20\%$ | Full Load Inductance $\mu\text{H}$ min. | Full Load Current $\text{A dc}$ | DC Resistance ohms max. |
| CTX0.47-3P-R | .46  | .35                                     | 6.20                            | .006                    | 1.85   | 1.42                                    | 3.10                            | .025                    |
| CTX0.68-3P-R | .67  | .50                                     | 5.70                            | .007                    | 2.66   | 1.98                                    | 2.85                            | .028                    |
| CTX1-3P-R    | .91  | .65                                     | 5.40                            | .008                    | 3.63   | 2.62                                    | 2.70                            | .032                    |
| CTX2-3P-R    | 1.85   | 1.24                                    | 4.60                            | .011                    | 7.40   | 4.97                                    | 2.30                            | .045                    |
| CTX5-3P-R    | 4.74   | 3.04                                    | 3.20                            | .022                    | 18.94  | 12.15                                   | 1.60                            | .090                    |
| CTX8-3P-R    | 8.16   | 4.90                                    | 2.80                            | .030                    | 32.63  | 19.60                                   | 1.40                            | .119                    |
| CTX10-3P-R   | 9.79   | 5.71                                    | 2.70                            | .033                    | 39.15  | 22.85                                   | 1.35                            | .131                    |
| CTX15-3P-R   | 14.50  | 8.50                                    | 2.20                            | .050                    | 58.02  | 34.01                                   | 1.10                            | .198                    |
| CTX20-3P-R   | 20.15  | 13.12                                   | 1.50                            | .111                    | 80.59  | 52.48                                   | .75                             | .443                    |
| CTX25-3P-R   | 25.33  | 16.16                                   | 1.40                            | .125                    | 101.31   | 64.66                                   | .70                             | .499                    |
| CTX33-3P-R   | 32.63  | 20.32                                   | 1.30                            | .146                    | 130.54   | 81.30                                   | .65                             | .571                    |
| CTX50-3P-R   | 50.02  | 33.06                                   | .92                             | .277                    | 200.10   | 132.24                                  | .46                             | 1.108                   |
| CTX68-3P-R   | 68.84  | 44.15                                   | .84                             | .328                    | 275.35   | 176.61                                  | .42                             | 1.312                   |
| CTX100-3P-R  | 101.31   | 65.50                                   | .68                             | .501                    | 405.22   | 262.02                                  | .34                             | 2.005                   |
| CTX150-3P-R  | 149.85   | 90.92                                   | .64                             | .621                    | 599.40   | 363.68                                  | .32                             | 2.483                   |
| CTX200-3P-R  | 200.10   | 116.51                                  | .60                             | .731                    | 800.38   | 466.03                                  | .30                             | 2.925                   |
| CTX300-3P-R  | 298.39   | 172.12                                  | .50                             | .926                    | 1193.55  | 688.50                                  | .25                             | 3.702                   |
| CTX0.47-4P-R | .49  | .37                                     | 7.90                            | .005                    | 1.95   | 1.49                                    | 3.95                            | .019                    |
| CTX0.68-4P-R | .76  | .56                                     | 7.20                            | .006                    | 3.05   | 2.24                                    | 3.60                            | .023                    |
| CTX1-4P-R    | 1.10   | .81                                     | 5.90                            | .008                    | 4.39   | 3.24                                    | 2.95                            | .033                    |
| CTX2-4P-R    | 1.95   | 1.42                                    | 4.60                            | .014                    | 7.81   | 5.69                                    | 2.30                            | .055                    |
| CTX5-4P-R    | 5.15   | 3.56                                    | 3.30                            | .027                    | 20.62  | 14.23                                   | 1.65                            | .107                    |
| CTX8-4P-R    | 7.81   | 5.15                                    | 3.00                            | .033                    | 31.23  | 20.61                                   | 1.50                            | .131                    |
| CTX10-4P-R   | 9.88   | 6.70                                    | 2.50                            | .047                    | 39.53  | 26.79                                   | 1.25                            | .187                    |
| CTX15-4P-R   | 14.76  | 9.52                                    | 2.30                            | .057                    | 59.05  | 38.09                                   | 1.15                            | .228                    |
| CTX20-4P-R   | 20.62  | 13.44                                   | 1.90                            | .084                    | 82.47  | 53.76                                   | .95                             | .337                    |
| CTX25-4P-R   | 25.65  | 17.17                                   | 1.60                            | .115                    | 102.60   | 68.68                                   | .80                             | .461                    |
| CTX33-4P-R   | 33.21  | 22.93                                   | 1.30                            | .166                    | 132.86   | 91.72                                   | .65                             | .662                    |
| CTX50-4P-R   | 48.80  | 32.21                                   | 1.20                            | .201                    | 195.20   | 128.83                                  | .60                             | .805                    |
| CTX68-4P-R   | 67.37  | 43.04                                   | 1.10                            | .238                    | 269.50   | 172.16                                  | .55                             | .952                    |
| CTX100-4P-R  | 99.09  | 69.54                                   | .72                             | .565                    | 396.38   | 278.15                                  | .36                             | 2.259                   |
| CTX150-4P-R  | 149.45   | 101.46                                  | .64                             | .696                    | 597.80   | 405.83                                  | .32                             | 2.784                   |
| CTX200-4P-R  | 200.11   | 131.37                                  | .60                             | .810                    | 800.44   | 525.47                                  | .30                             | 3.240                   |
| CTX300-4P-R  | 298.93   | 188.03                                  | .54                             | 1.003                   | 1195.72  | 752.13                                  | .27                             | 4.011                   |
| CTX0.47-1-R  | .40  | .26                                     | 5.50                            | .005                    | 1.60   | 1.05                                    | 2.75                            | .020                    |
| CTX0.68-1-R  | .63  | .41                                     | 4.50                            | .006                    | 2.50   | 1.63                                    | 2.25                            | .024                    |
| CTX1-1-R     | .90  | .56                                     | 4.20                            | .007                    | 3.60   | 2.24                                    | 2.10                            | .028                    |
| CTX2-1-R     | 2.03   | 1.00                                    | 4.10                            | .010                    | 8.10   | 4.01                                    | 2.05                            | .040                    |
| CTX5-1-R     | 4.90   | 2.66                                    | 2.30                            | .030                    | 19.60  | 10.64                                   | 1.15                            | .122                    |
| CTX8-1-R     | 8.10   | 4.08                                    | 2.00                            | .039                    | 32.40  | 16.34                                   | 1.00                            | .157                    |
| CTX10-1-R    | 10.00  | 4.85                                    | 1.90                            | .044                    | 40.00  | 19.40                                   | .95                             | .176                    |
| CTX15-1-R    | 14.40  | 8.74                                    | 1.10                            | .080                    | 57.60  | 34.96                                   | .55                             | .319                    |
| CTX20-1-R    | 19.60  | 11.54                                   | 1.00                            | .146                    | 78.40  | 46.15                                   | .50                             | .583                    |
| CTX25-1-R    | 25.60  | 16.35                                   | .74                             | .167                    | 102.40   | 65.42                                   | .37                             | .668                    |
| CTX33-1-R    | 32.40  | 19.84                                   | .72                             | .293                    | 129.60   | 79.37                                   | .36                             | 1.171                   |
| CTX50-1-R    | 50.63  | 29.34                                   | .64                             | .365                    | 202.50   | 117.38                                  | .32                             | 1.461                   |
| CTX68-1-R    | 67.60  | 39.73                                   | .54                             | .516                    | 270.40   | 158.92                                  | .27                             | 2.064                   |
| CTX100-1-R   | 99.23  | 58.72                                   | .44                             | .784                    | 396.90   | 234.88                                  | .22                             | 3.137                   |
| CTX150-1-R   | 148.23   | 85.16                                   | .38                             | .965                    | 592.90   | 340.64                                  | .19                             | 3.861                   |
| CTX200-1-R   | 202.50   | 107.60                                  | .37                             | 1.142                   | 810.00   | 430.39                                  | .19                             | 4.567                   |
| CTX300-1-R   | 302.50   | 191.38                                  | .22                             | 1.431                   | 1210.00  | 765.54                                  | .11                             | 5.724                   |
| CTX0.47-2-R  | .42  | .29                                     | 6.50                            | .005                    | 1.69   | 1.17                                    | 3.25                            | .019                    |
| CTX0.68-2-R  | .75  | .50                                     | 5.50                            | .006                    | 3.01   | 1.98                                    | 2.75                            | .024                    |
| CTX1-2-R     | 1.18   | .76                                     | 4.60                            | .007                    | 4.70   | 3.04                                    | 2.30                            | .028                    |
| CTX2-2-R     | 2.30   | 1.27                                    | 4.50                            | .010                    | 9.21   | 5.07                                    | 2.25                            | .038                    |
| CTX5-2-R     | 4.70   | 2.66                                    | 3.00                            | .021                    | 18.80  | 10.65                                   | 1.50                            | .084                    |
| CTX8-2-R     | 7.94   | 4.18                                    | 2.60                            | .027                    | 31.77  | 16.72                                   | 1.30                            | .108                    |
| CTX10-2-R    | 10.58  | 5.18                                    | 2.50                            | .031                    | 42.30  | 20.72                                   | 1.25                            | .125                    |
| CTX15-2-R    | 15.23  | 8.53                                    | 1.70                            | .059                    | 60.91  | 34.10                                   | .85                             | .236                    |
| CTX20-2-R    | 20.73  | 12.36                                   | 1.30                            | .107                    | 82.91  | 49.46                                   | .65                             | .426                    |
| CTX25-2-R    | 24.86  | 16.09                                   | 1.00                            | .117                    | 99.45  | 64.35                                   | .50                             | .466                    |
| CTX33-2-R    | 31.77  | 15.90                                   | 1.40                            | .105                    | 127.09   | 63.59                                   | .70                             | .420                    |
| CTX50-2-R    | 51.18  | 28.79                                   | .92                             | .210                    | 204.73   | 115.16                                  | .46                             | .839                    |
| CTX68-2-R    | 67.87  | 38.71                                   | .78                             | .303                    | 271.47   | 154.83                                  | .39                             | 1.214                   |
| CTX100-2-R   | 99.45  | 57.45                                   | .63                             | .457                    | 397.81   | 229.79                                  | .32                             | 1.828                   |

| Part Number | PARALLEL                                     |   |                       |                         | SERIES                                       |   |                       |                         |
|-------------|--|---|-----------------------|-------------------------|--|---|-----------------------|-------------------------|
|             | Open Circuit Inductance $\mu\text{H}$ +/-20% | Full Load Inductance $\mu\text{H}$ min. | Full Load Current Adc | DC Resistance ohms max. | Open Circuit Inductance $\mu\text{H}$ +/-20% | Full Load Inductance $\mu\text{H}$ min. | Full Load Current Adc | DC Resistance ohms max. |
| CTX150-2-R  | 147.39                                       | 93.46                                   | .43                   | .560                    | 589.57                                       | 373.84                                  | .22                   | 2.241                   |
| CTX200-2-R  | 198.58                                       | 122.94                                  | .39                   | .796                    | 794.30                                       | 491.76                                  | .20                   | 3.184                   |
| CTX300-2-R  | 300.80                                       | 169.06                                  | .38                   | 1.231                   | 1203.20                                      | 676.24                                  | .19                   | 4.929                   |
| CTX0.47-3-R | .38  | .27                                     | 6.00                  | .005                    | 1.54   | 1.08                                    | 3.00                  | .020                    |
| CTX0.68-3-R | .60  | .42                                     | 5.00                  | .006                    | 2.40   | 1.67                                    | 2.50                  | .024                    |
| CTX1-3-R    | .86  | .57                                     | 4.80                  | .007                    | 3.46   | 2.28                                    | 2.40                  | .028                    |
| CTX2-3-R    | 1.94   | 1.05                                    | 4.70                  | .010                    | 7.78   | 4.22                                    | 2.35                  | .040                    |
| CTX5-3-R    | 4.70   | 2.56                                    | 3.00                  | .019                    | 18.82  | 10.26                                   | 1.50                  | .077                    |
| CTX8-3-R    | 7.78   | 3.74                                    | 2.80                  | .025                    | 31.10  | 14.98                                   | 1.40                  | .099                    |
| CTX10-3-R   | 9.60   | 4.38                                    | 2.70                  | .028                    | 38.40  | 17.54                                   | 1.35                  | .111                    |
| CTX15-3-R   | 15.00  | 7.26                                    | 2.00                  | .043                    | 60.00  | 29.06                                   | 1.00                  | .172                    |
| CTX20-3-R   | 20.18  | 10.76                                   | 1.50                  | .078                    | 80.74  | 43.04                                   | .75                   | .312                    |
| CTX25-3-R   | 24.58  | 15.64                                   | .98                   | .086                    | 98.30  | 62.56                                   | .49                   | .346                    |
| CTX33-3-R   | 32.86  | 19.69                                   | .96                   | .083                    | 131.42                                       | 78.77                                   | .48                   | .331                    |
| CTX50-3-R   | 50.78  | 27.18                                   | .94                   | .239                    | 203.14                                       | 108.71                                  | .47                   | .956                    |
| CTX68-3-R   | 67.42  | 36.53                                   | .80                   | .277                    | 269.66                                       | 146.11                                  | .40                   | 1.109                   |
| CTX100-3-R  | 101.40                                       | 52.48                                   | .70                   | .345                    | 405.60                                       | 209.93                                  | .35                   | 1.381                   |
| CTX150-3-R  | 149.78                                       | 97.16                                   | .38                   | .430                    | 599.14                                       | 388.63                                  | .19                   | 1.718                   |
| CTX200-3-R  | 198.74                                       | 119.18                                  | .39                   | .619                    | 794.98                                       | 476.71                                  | .20                   | 2.475                   |
| CTX300-3-R  | 301.06                                       | 157.44                                  | .40                   | .951                    | 1204.22                                      | 629.75                                  | .20                   | 3.083                   |
| CTX0.47-4-R | .44  | .32                                     | 7.00                  | .004                    | 1.76   | 1.29                                    | 3.50                  | .016                    |
| CTX0.68-4-R | .78  | .55                                     | 6.00                  | .005                    | 3.14   | 2.21                                    | 3.00                  | .020                    |
| CTX1-4-R    | 1.23   | .85                                     | 5.00                  | .006                    | 4.90   | 3.41                                    | 2.50                  | .024                    |
| CTX2-4-R    | 1.76   | 1.06                                    | 4.90                  | .007                    | 7.06   | 4.24                                    | 2.45                  | .028                    |
| CTX5-4-R    | 4.90   | 2.59                                    | 4.40                  | .014                    | 19.60  | 10.37                                   | 2.20                  | .056                    |
| CTX8-4-R    | 8.28   | 4.29                                    | 3.50                  | .018                    | 33.12  | 17.14                                   | 1.75                  | .072                    |
| CTX10-4-R   | 9.60   | 4.82                                    | 3.40                  | .019                    | 38.42  | 19.28                                   | 1.70                  | .078                    |
| CTX15-4-R   | 14.16  | 6.76                                    | 3.00                  | .024                    | 56.64  | 27.03                                   | 1.50                  | .096                    |
| CTX20-4-R   | 19.60  | 10.68                                   | 2.10                  | .055                    | 78.40  | 42.73                                   | 1.05                  | .220                    |
| CTX25-4-R   | 25.92  | 13.32                                   | 2.00                  | .063                    | 103.68                                       | 53.27                                   | 1.00                  | .253                    |
| CTX33-4-R   | 33.12  | 16.82                                   | 1.80                  | .072                    | 132.50                                       | 67.27                                   | .90                   | .287                    |
| CTX50-4-R   | 50.18  | 25.03                                   | 1.50                  | .111                    | 200.70                                       | 100.11                                  | .75                   | .443                    |
| CTX68-4-R   | 67.08  | 35.29                                   | 1.20                  | .157                    | 268.32                                       | 141.15                                  | .60                   | .630                    |
| CTX100-4-R  | 99.23  | 54.56                                   | .92                   | .302                    | 396.90                                       | 218.25                                  | .46                   | 1.210                   |
| CTX150-4-R  | 148.23                                       | 77.17                                   | .82                   | .372                    | 592.90                                       | 308.69                                  | .41                   | 1.488                   |
| CTX200-4-R  | 200.70                                       | 111.08                                  | .64                   | .545                    | 802.82                                       | 444.32                                  | .32                   | 2.180                   |
| CTX300-4-R  | 298.12                                       | 147.92                                  | .62                   | .672                    | 1192.46                                      | 591.66                                  | .31                   | 2.687                   |

| Part Number  | Rated Inductance (µH) | Parallel Ratings            |                         |                    |                        |                | Series Ratings              |                         |                    |                        |                |
|--------------|-----------------------|-----------------------------|-------------------------|--------------------|------------------------|----------------|-----------------------------|-------------------------|--------------------|------------------------|----------------|
|              |                       | OCL (1) nominal +/-25% (µH) | I sat. (2) Amperes Peak | I rms. (3) Amperes | DCR Ω (4) max. @ 20°C. | Volt (7) µ-Sec | OCL (1) nominal +/-25% (µH) | I sat. (2) Amperes Peak | I rms. (3) Amperes | DCR Ω (4) max. @ 20°C. | Volt (7) µ-Sec |
| CTX0.33-1A-R | 0.33                  | 0.402                       | 12.5                    | 10.0               | 0.0037                 | .93            | 1.61                        | 6.25                    | 4.98               | 0.015                  | 1.86           |
| CTX0.68-1A-R | 0.68                  | 0.752                       | 9.4                     | 9.0                | 0.0046                 | 1.24           | 3.01                        | 4.69                    | 4.48               | 0.0185                 | 2.49           |
| CTX1-1A-R    | 1.0                   | 1.18                        | 7.5                     | 7.26               | 0.0070                 | 1.55           | 4.70                        | 3.75                    | 3.63               | 0.0282                 | 3.11           |
| CTX2-1A-R    | 2.0                   | 2.30                        | 5.36                    | 5.64               | 0.012                  | 2.17           | 9.21                        | 2.68                    | 2.82               | 0.0470                 | 4.35           |
| CTX5-1A-R    | 5.0                   | 4.70                        | 3.75                    | 4.27               | 0.020                  | 3.11           | 18.8                        | 1.88                    | 2.13               | 0.082                  | 6.21           |
| CTX8-1A-R    | 8.0                   | 7.94                        | 2.88                    | 3.37               | 0.033                  | 4.04           | 31.77                       | 1.44                    | 1.69               | 0.130                  | 8.08           |
| CTX10-1A-R   | 10.0                  | 10.58                       | 2.5                     | 2.84               | 0.046                  | 4.66           | 42.30                       | 1.25                    | 1.42               | 0.183                  | 9.32           |
| CTX15-1A-R   | 15.0                  | 15.23                       | 2.08                    | 2.07               | 0.087                  | 5.59           | 60.91                       | 1.04                    | 1.03               | 0.348                  | 11.2           |
| CTX20-1A-R   | 20.0                  | 20.73                       | 1.79                    | 1.71               | 0.127                  | 6.52           | 82.91                       | 0.89                    | 0.86               | 0.507                  | 13.0           |
| CTX25-1A-R   | 25.0                  | 24.86                       | 1.63                    | 1.46               | 0.173                  | 7.14           | 99.45                       | 0.82                    | 0.73               | 0.693                  | 14.3           |
| CTX33-1A-R   | 33.0                  | 34.26                       | 1.39                    | 1.22               | 0.249                  | 8.39           | 137.1                       | 0.69                    | 0.61               | 0.995                  | 16.8           |
| CTX50-1A-R   | 50.0                  | 51.18                       | 1.14                    | 0.99               | 0.381                  | 10.3           | 204.7                       | 0.57                    | 0.49               | 1.524                  | 20.5           |
| CTX68-1A-R   | 68.0                  | 67.87                       | 0.99                    | 0.92               | 0.437                  | 11.8           | 271.5                       | 0.49                    | 0.46               | 1.749                  | 23.6           |
| CTX100-1A-R  | 100.0                 | 99.45                       | 0.82                    | 0.74               | 0.686                  | 14.3           | 397.8                       | 0.41                    | 0.37               | 2.745                  | 28.6           |
| CTX150-1A-R  | 150.0                 | 147.4                       | 0.67                    | 0.67               | 0.832                  | 17.4           | 589.6                       | 0.33                    | 0.33               | 3.329                  | 34.8           |
| CTX200-1A-R  | 200.0                 | 198.6                       | 0.58                    | 0.62               | 0.963                  | 20.2           | 794.3                       | 0.29                    | 0.31               | 3.854                  | 40.4           |
| CTX300-1A-R  | 300.0                 | 300.8                       | 0.47                    | 0.56               | 1.181                  | 24.9           | 1203                        | 0.23                    | 0.28               | 4.726                  | 49.7           |
| CTX0.33-2A-R | 0.33                  | 0.284                       | 18.8                    | 10.9               | 0.0033                 | .85            | 1.14                        | 9.38                    | 5.47               | 0.0132                 | 1.71           |
| CTX0.68-2A-R | 0.68                  | 0.675                       | 12.5                    | 9.4                | 0.0045                 | 1.28           | 2.70                        | 6.25                    | 4.68               | 0.0180                 | 2.56           |
| CTX1-2A-R    | 1.0                   | 1.26                        | 9.38                    | 8.22               | 0.0058                 | 1.71           | 5.06                        | 4.69                    | 4.11               | 0.0233                 | 3.42           |
| CTX2-2A-R    | 2.0                   | 1.98                        | 7.50                    | 6.74               | 0.0090                 | 2.14           | 7.90                        | 3.75                    | 3.37               | 0.035                  | 4.27           |
| CTX5-2A-R    | 5.0                   | 5.06                        | 4.69                    | 4.34               | 0.021                  | 3.42           | 20.22                       | 2.34                    | 2.17               | 0.084                  | 6.84           |
| CTX8-2A-R    | 8.0                   | 7.90                        | 3.75                    | 3.50               | 0.032                  | 4.27           | 31.60                       | 1.88                    | 1.75               | 0.129                  | 8.55           |
| CTX10-2A-R   | 10.0                  | 11.38                       | 3.13                    | 2.89               | 0.047                  | 5.13           | 45.50                       | 1.56                    | 1.45               | 0.188                  | 10.3           |
| CTX15-2A-R   | 15.0                  | 15.48                       | 2.68                    | 2.69               | 0.054                  | 5.98           | 61.94                       | 1.34                    | 1.35               | 0.218                  | 12.0           |
| CTX20-2A-R   | 20.0                  | 20.22                       | 2.34                    | 2.24               | 0.078                  | 6.84           | 80.90                       | 1.17                    | 1.12               | 0.313                  | 13.7           |
| CTX25-2A-R   | 25.0                  | 25.60                       | 2.08                    | 1.89               | 0.111                  | 7.69           | 102.38                      | 1.04                    | 0.94               | 0.443                  | 15.4           |
| CTX33-2A-R   | 33.0                  | 34.84                       | 1.79                    | 1.56               | 0.162                  | 8.97           | 139.4                       | 0.89                    | 0.78               | 0.649                  | 17.9           |
| CTX50-2A-R   | 50.0                  | 49.38                       | 1.50                    | 1.28               | 0.240                  | 10.7           | 197.5                       | 0.75                    | 0.64               | 0.961                  | 21.4           |
| CTX68-2A-R   | 68.0                  | 66.44                       | 1.29                    | 1.07               | 0.342                  | 12.4           | 265.8                       | 0.65                    | 0.54               | 1.367                  | 24.8           |
| CTX100-2A-R  | 100.0                 | 102.38                      | 1.04                    | 0.75               | 0.695                  | 15.4           | 409.5                       | 0.52                    | 0.38               | 2.778                  | 30.8           |
| CTX150-2A-R  | 150.0                 | 152.9                       | 0.85                    | 0.68               | 0.842                  | 18.8           | 611.8                       | 0.43                    | 0.34               | 3.366                  | 37.6           |
| CTX200-2A-R  | 200.0                 | 197.5                       | 0.75                    | 0.64               | 0.950                  | 21.4           | 790.0                       | 0.38                    | 0.32               | 3.800                  | 42.7           |
| CTX300-2A-R  | 300.0                 | 303.7                       | 0.60                    | 0.58               | 1.174                  | 26.5           | 1215                        | 0.30                    | 0.29               | 4.697                  | 53.0           |
| CTX0.33-3A-R | 0.33                  | 0.368                       | 15.0                    | 11.4               | 0.0032                 | 0.97           | 1.47                        | 7.50                    | 5.72               | 0.0128                 | 1.93           |
| CTX0.68-3A-R | 0.68                  | 0.688                       | 11.3                    | 9.3                | 0.0048                 | 1.29           | 2.75                        | 5.63                    | 4.64               | 0.0194                 | 2.58           |
| CTX1-3A-R    | 1.0                   | 1.08                        | 9.0                     | 8.38               | 0.0059                 | 1.61           | 4.20                        | 4.50                    | 4.19               | 0.0238                 | 3.22           |
| CTX2-3A-R    | 2.0                   | 2.11                        | 6.43                    | 7.26               | 0.0079                 | 2.26           | 8.43                        | 3.21                    | 3.63               | 0.0317                 | 4.51           |
| CTX5-3A-R    | 5.0                   | 5.20                        | 4.09                    | 5.24               | 0.015                  | 3.54           | 20.81                       | 2.05                    | 2.62               | 0.061                  | 7.09           |
| CTX8-3A-R    | 8.0                   | 8.43                        | 3.21                    | 4.23               | 0.023                  | 4.51           | 33.77                       | 1.61                    | 2.12               | 0.093                  | 9.02           |
| CTX10-3A-R   | 10.0                  | 9.68                        | 3.00                    | 3.64               | 0.032                  | 4.83           | 38.70                       | 1.50                    | 1.82               | 0.126                  | 9.67           |
| CTX15-3A-R   | 15.0                  | 15.52                       | 2.37                    | 3.25               | 0.039                  | 6.12           | 62.09                       | 1.18                    | 1.63               | 0.158                  | 12.2           |
| CTX20-3A-R   | 20.0                  | 20.81                       | 2.05                    | 2.43               | 0.071                  | 7.09           | 83.25                       | 1.02                    | 1.22               | 0.282                  | 14.2           |
| CTX25-3A-R   | 25.0                  | 24.77                       | 1.88                    | 2.34               | 0.076                  | 7.73           | 99.07                       | 0.94                    | 1.17               | 0.306                  | 15.5           |
| CTX33-3A-R   | 33.0                  | 33.71                       | 1.61                    | 1.93               | 0.112                  | 9.02           | 134.8                       | 0.80                    | 0.96               | 0.449                  | 18.0           |
| CTX50-3A-R   | 50.0                  | 49.71                       | 1.32                    | 1.56               | 0.171                  | 11.0           | 198.8                       | 0.66                    | 0.78               | 0.686                  | 21.9           |

1) Open Circuit Inductance Test Parameters: 100kHz, 0.250 Vrms, 0.0 Adc  
 Parallel: (1,4 - 3,2) Series: (1 - 3) tie (2 - 4)  
 2) Peak current for approximately 30% roll-off  
 3) RMS current, delta temp. of 40° C ambient temperature of 85° C  
 4) DCR @ 20°C

5) Hipot rating: winding to winding: 300Vdc min.  
 6) Turns Ratio: (1-2):(4-3) 1:1  
 7) Applied volt-time product (v-us) across the inductor. This value represents the applied V-us at 300KHz necessary to generate a core loss equal to 10% of the total losses for a 40°C temperature rise.

| Part Number  | Rated Inductance (μH) | Parallel Ratings            |                         |                    |                        |                | Series Ratings              |                         |                    |                        |                |
|--------------|-----------------------|-----------------------------|-------------------------|--------------------|------------------------|----------------|-----------------------------|-------------------------|--------------------|------------------------|----------------|
|              |                       | OCL (1) nominal +/-25% (μH) | I sat. (2) Amperes Peak | I rms. (3) Amperes | DCR Ω (4) max. @ 20°C. | Volt (7) μ-Sec | OCL (1) nominal +/-25% (μH) | I sat. (2) Amperes Peak | I rms. (3) Amperes | DCR Ω (4) max. @ 20°C. | Volt (7) μ-Sec |
| CTX68-3A-R   | 68.0                  | 68.80                       | 1.13                    | 1.28               | 0.253                  | 12.9           | 275.2                       | 0.56                    | 0.64               | 1.013                  | 25.8           |
| CTX100-3A-R  | 100.0                 | 99.07                       | 0.94                    | 1.05               | 0.379                  | 15.5           | 396.3                       | 0.47                    | 0.53               | 1.514                  | 30.9           |
| CTX150-3A-R  | 150.0                 | 149.7                       | 0.76                    | 0.86               | 0.571                  | 19.0           | 598.7                       | 0.38                    | 0.43               | 2.283                  | 38.0           |
| CTX200-3A-R  | 200.0                 | 198.8                       | 0.66                    | 0.71               | 0.829                  | 21.9           | 795.3                       | 0.33                    | 0.35               | 3.315                  | 43.8           |
| CTX300-3A-R  | 300.0                 | 296.2                       | 0.54                    | 0.56               | 1.309                  | 26.7           | 1185                        | 0.27                    | 0.28               | 5.236                  | 53.5           |
| CTX0.33-4A-R | 0.33                  | 0.313                       | 22.5                    | 12.2               | 0.0030                 | 0.98           | 1.25                        | 11.25                   | 6.09               | 0.0119                 | 1.96           |
| CTX0.68-4A-R | 0.68                  | 0.744                       | 15.0                    | 10.6               | 0.0040                 | 1.47           | 2.98                        | 7.50                    | 5.28               | 0.0158                 | 2.94           |
| CTX1-4A-R    | 1.0                   | 1.39                        | 11.25                   | 9.23               | 0.0052                 | 1.96           | 5.57                        | 5.63                    | 4.62               | 0.0207                 | 3.93           |
| CTX2-4A-R    | 2.0                   | 2.18                        | 9.00                    | 8.38               | 0.0063                 | 2.45           | 8.70                        | 4.50                    | 4.19               | 0.0251                 | 4.91           |
| CTX5-4A-R    | 5.0                   | 4.26                        | 6.43                    | 7.21               | 0.0085                 | 3.44           | 17.05                       | 3.21                    | 3.61               | 0.0339                 | 6.87           |
| CTX8-4A-R    | 8.0                   | 8.70                        | 4.50                    | 5.49               | 0.015                  | 4.91           | 34.80                       | 2.25                    | 2.74               | 0.059                  | 9.81           |
| CTX10-4A-R   | 10.0                  | 10.53                       | 4.09                    | 4.67               | 0.020                  | 5.40           | 42.11                       | 2.05                    | 2.33               | 0.081                  | 10.8           |
| CTX15-4A-R   | 15.0                  | 14.70                       | 3.46                    | 3.87               | 0.029                  | 6.38           | 58.81                       | 1.73                    | 1.94               | 0.117                  | 12.8           |
| CTX20-4A-R   | 20.0                  | 19.58                       | 3.00                    | 3.62               | 0.034                  | 7.36           | 78.30                       | 1.50                    | 1.81               | 0.135                  | 14.7           |
| CTX25-4A-R   | 25.0                  | 25.14                       | 2.65                    | 3.02               | 0.048                  | 8.34           | 100.51                      | 1.32                    | 1.51               | 0.193                  | 16.7           |
| CTX33-4A-R   | 33.0                  | 34.80                       | 2.25                    | 2.49               | 0.071                  | 9.81           | 139.2                       | 1.13                    | 1.25               | 0.283                  | 19.6           |
| CTX50-4A-R   | 50.0                  | 50.11                       | 1.88                    | 2.05               | 0.104                  | 11.8           | 200.4                       | 0.94                    | 1.03               | 0.418                  | 23.6           |
| CTX68-4A-R   | 68.0                  | 68.21                       | 1.61                    | 1.70               | 0.153                  | 13.7           | 272.8                       | 0.80                    | 0.85               | 0.612                  | 27.5           |
| CTX100-4A-R  | 100.0                 | 100.57                      | 1.32                    | 1.37               | 0.235                  | 16.7           | 402.3                       | 0.66                    | 0.69               | 0.939                  | 33.4           |
| CTX150-4A-R  | 150.0                 | 153.5                       | 1.07                    | 1.10               | 0.365                  | 20.6           | 613.9                       | 0.54                    | 0.55               | 1.462                  | 41.2           |
| CTX200-4A-R  | 200.0                 | 200.4                       | 0.94                    | 0.92               | 0.521                  | 23.6           | 801.8                       | 0.47                    | 0.46               | 2.085                  | 47.1           |
| CTX300-4A-R  | 300.0                 | 302.8                       | 0.76                    | 0.75               | 0.787                  | 29.0           | 1211                        | 0.38                    | 0.37               | 3.148                  | 57.9           |

1) Open Circuit Inductance Test Parameters: 100kHz, 0.250 Vrms, 0.0 Adc  
 Parallel: (1,4 - 3,2) Series: (1 - 3) tie (2 - 4)  
 2) Peak current for approximately 30% roll-off  
 3) RMS current, delta temp. of 40° C ambient temperature of 85° C  
 4) DCR @ 20°C

5) Hipot rating: winding to winding: 300Vdc min.  
 6) Turns Ratio: (1-2):(4-3) 1:1  
 7) Applied volt-time product (v-us) across the inductor. This value represents the applied V-us at 300KHz necessary to generate a core loss equal to 10% of the total losses for a 40°C temperature rise.

**Mechanical Diagrams**

**CTX 1, 1P, 1A Series**



**CTX 2, 2P, 2A Series**



**CTX 3, 3P, 3A Series**



**CTX 4, 4P, 4A Series**

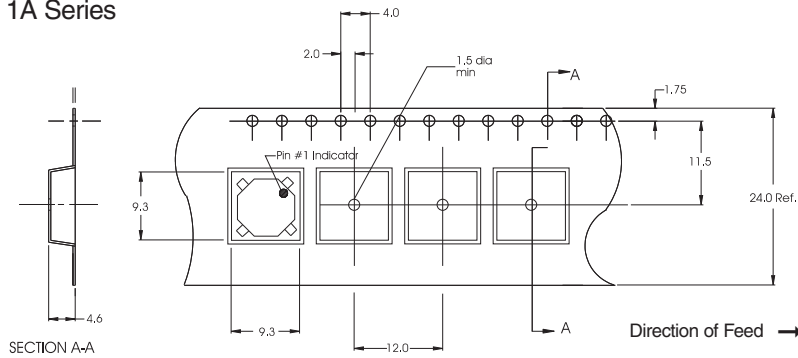


Dimensions in Millimeters.

wwwly = (date code) R = revision level

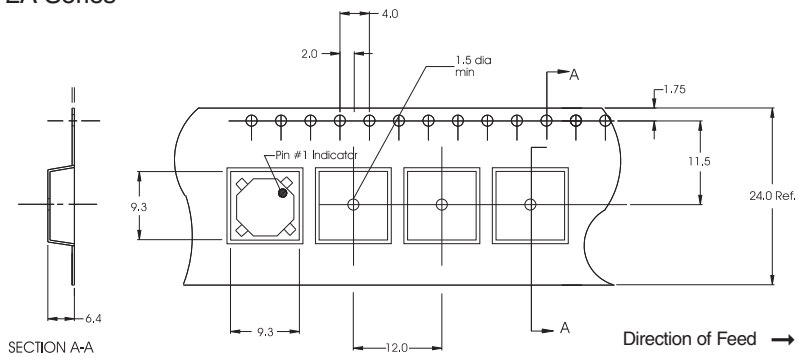
**Packaging Information**

**CTX 1, 1P, 1A Series**



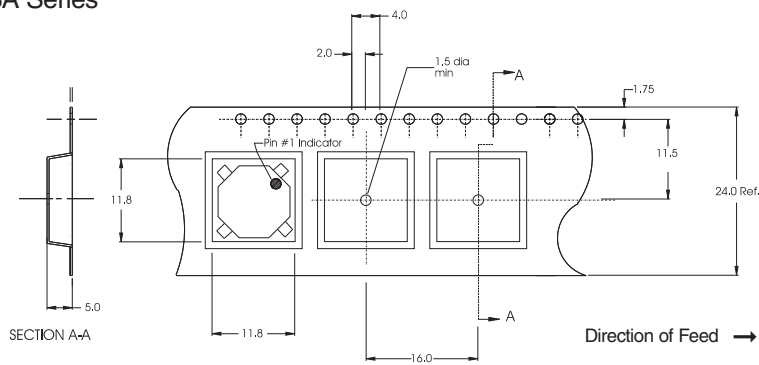
Parts packaged on 13" Diameter reel,  
1,100 parts per reel.

**CTX 2, 2P, 2A Series**



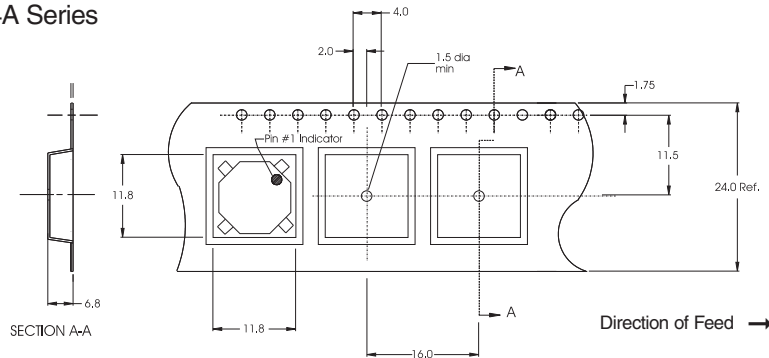
Parts packaged on 13" Diameter reel,  
800 parts per reel.

**CTX 3, 3P, 3A Series**



Parts packaged on 13" Diameter reel,  
800 parts per reel.

**CTX 4, 4P, 4A Series**



Parts packaged on 13" Diameter reel,  
600 parts per reel.

Dimensions are in millimeters.

**Performance Characteristics**



- **INDUCTANCE VS. CURRENT:**  
 Inductance will fall off as DC Current is increased. (See Inductance vs. Current graph).
- **FREQUENCY RESPONSE:**  
 Wide-band frequency response to 1 megaHertz.
- **CURRENT LIMITATION:**  
 The maximum allowable currents are defined by the internal "hot-spot" temperatures which are limited to 130°C, including ambient.

**OCTA-PAC® PLUS Typical Inductance vs. DC Current**



**OCTA-PAC® PLUS Winding Loss Derating with Core Loss**



This bulletin is intended to present product design solutions and technical information that will help the end user with design applications. Cooper Electronic Technologies reserves the right, without notice, to change design or construction of any products and to discontinue or limit distribution of any products. Cooper Electronic Technologies also reserves the right to change or update, without notice, any technical information contained in this bulletin. Once a product has been selected, it should be tested by the user in all possible applications.

Life Support Policy: Cooper Electronic Technologies does not authorize the use of any of its products for use in life support devices or systems without the express written approval of an officer of the Company. Life support systems are devices which support or sustain life, and whose failure to perform, when properly used in accordance with instructions for use provided in the labeling, can be reasonably expected to result in significant injury to the user.



Компания «Life Electronics» занимается поставками электронных компонентов импортного и отечественного производства от производителей и со складов крупных дистрибьюторов Европы, Америки и Азии.

С конца 2013 года компания активно расширяет линейку поставок компонентов по направлению коаксиальный кабель, кварцевые генераторы и конденсаторы (керамические, пленочные, электролитические), за счёт заключения дистрибьюторских договоров

Мы предлагаем:

- Конкурентоспособные цены и скидки постоянным клиентам.
- Специальные условия для постоянных клиентов.
- Подбор аналогов.
- Поставку компонентов в любых объемах, удовлетворяющих вашим потребностям.
- Приемлемые сроки поставки, возможна ускоренная поставка.
- Доставку товара в любую точку России и стран СНГ.
- Комплексную поставку.
- Работу по проектам и поставку образцов.
- Формирование склада под заказчика.
- Сертификаты соответствия на поставляемую продукцию (по желанию клиента).
- Тестирование поставляемой продукции.
- Поставку компонентов, требующих военную и космическую приемку.
- Входной контроль качества.
- Наличие сертификата ISO.

В составе нашей компании организован Конструкторский отдел, призванный помогать разработчикам, и инженерам.

Конструкторский отдел помогает осуществить:

- Регистрацию проекта у производителя компонентов.
- Техническую поддержку проекта.
- Защиту от снятия компонента с производства.
- Оценку стоимости проекта по компонентам.
- Изготовление тестовой платы монтаж и пусконаладочные работы.



Тел: +7 (812) 336 43 04 (многоканальный)

Email: [org@lifeelectronics.ru](mailto:org@lifeelectronics.ru)